



MNCX/MNCXS Owners Manual



Platinum Series Mini-Cube Speakers

Models

MNCX/MNCXB – Mini-Cube Speakers

MNCXS/MNCXSB/MNCXSM – Home Theater Package

MNCXSUB/MNCXBSUB – Mini-Cube Speakers and
Subwoofer

MNCXCB – Center Channel Speaker

Introduction

Thank you for purchasing M&S Systems Home Audio products. Your M&S Platinum Series speakers will bring you years of listening enjoyment. The MNCX and MNCXS products offer the finest quality compact home theater and delivers superior performance at an affordable price. In addition, their compact size and elegant style discreetly blends with any décor and lifestyle.

Key Features

- 90° swivel speaker allows for full area coverage

- A complete frequency range when a subwoofer is added

- 3/8" MDF (Medium Density Fiberboard) which drastically reduces resonance

- Magnetic shield in cubes and center channel to prevent unwanted TV interference

- Same speaker type used in cubes and center channels for best acoustic matching

- Ceiling or wall mount for maximum versatility (for the Mini-cube speakers only)

- Mounting brackets included

MNCX Mini-Cube Speaker

Contains one pair of speakers, available in white (MNCX) or black (MNCXB). MNCX units have dual 3" speakers with paper cones and rubber surround.



Mini-Cube Specifications

Frequency Response	150Hz to 20kHz
Maximum Power Rating	100 Watts
Continuous Power Rating	50 Watts RMS
Impedance	8 ohms
Height	8 ¾"
Width	4"
Depth	4"
Weight	3.6 lbs.

MNCXS Home Theater Package

Contains two pairs of speakers, available in white, black, or one pair of each color, a center channel (available in black only) and a subwoofer (available in black only). The center channel has dual 3" speakers with paper cones with rubber surround.



Center Channel Specifications

Frequency Response	150Hz to 20kHz
Maximum Power Rating	100 Watts
Continuous Power Rating	50 Watts RMS
Impedance	8 ohms
Height	4"
Width	9 ½ "
Depth	4"
Weight	3.3 lbs.

MNCXSUB Mini-Cube Speakers with Subwoofer Package

Contains one pair of speakers, available in white (MNCX) or black (MNCXB) and a subwoofer (available in black only).



Subwoofer Specifications

Frequency Response	30Hz/140Hz
Power Rating	100 Watts RMS
Crossover	40Hz/140Hz (adjustable)
Height	15 3/4"
Width	14"
Depth	16"
Weight	33.5 lbs

Unpacking Your Speakers

After carefully unpacking your speakers, the carton and the packaging material should be saved for possible use later. If any speaker appears to be damaged, do not attempt to repair or connect the unit to the amplifier. Repack the speaker and notify your distributor or M&S Systems for replacement or repair.

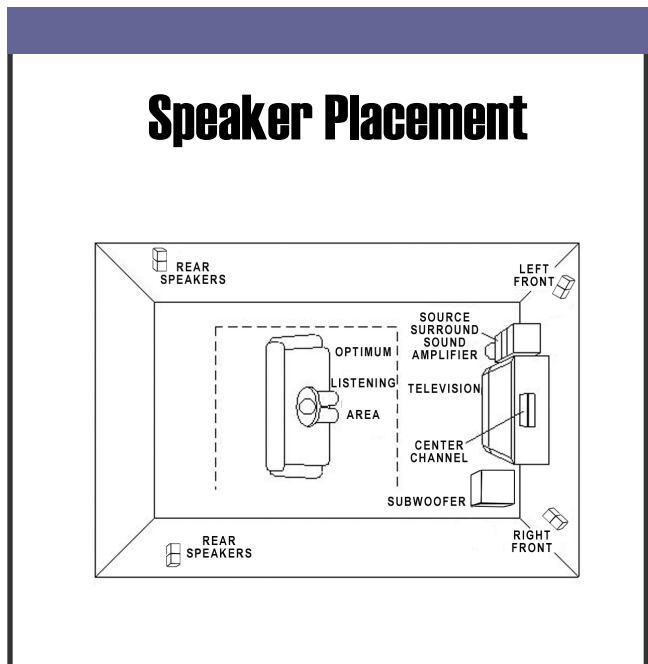
You can contact the M&S Customer Service team at 1-800-421-1587.

Speaker Placement

The mini-cube speakers can be mounted on the ceiling or walls, allowing you to select the location that provides the best sound quality in each room. When placing your speakers the front and rear speakers should be separated by 6 to 8 feet for good stereo separation and should not be closer than 2 feet to any adjacent surface (wall or ceiling).

Important! Never mount the brackets to sheetrock without some type of anchor.

The center channel is best located on top of the TV cabinet or on a shelf above the TV and centered between the mini-cube speakers.



The MNCX unit is designed with a swivel joint between the two speakers allowing each speaker to be individually aimed. The unit also comes with a mounting bracket for attachment to a wall or ceiling. The bracket screws into the threaded socket on the back of the top speaker, and may be adjusted so that the speakers point in the desired direction.

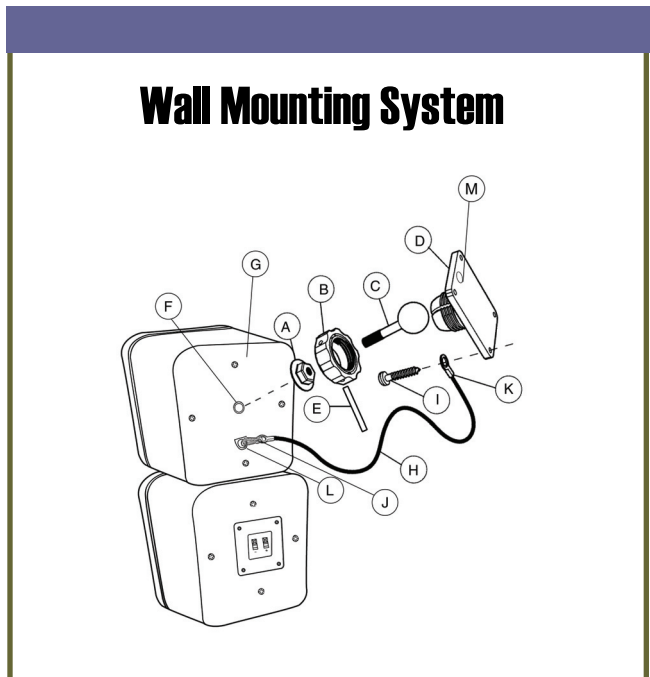
Mounting Your Speakers

Important Safety Note: Proper selection of mounting hardware not included herein and proper assembly and installation of brackets, including but not limited to selection of appropriate weight bearing support and bracket use with the specified speaker only is the exclusive responsibility of the customer. M&S Systems disclaims any liability for the selection of mounting hardware and/or proper bracket installation.

Please follow the instructions below and refer to the diagram when mounting the MNCX mini-cube speakers to your wall or ceiling.

1. Loosen and remove the molded nut (B) by turning it counter clockwise. Use the supplied metal bar (E) if necessary by inserting it in one of the holes on the molded nut (B).

2. Pull the ball/shaft (C) out of the wall bracket (D).
3. Slide the molded nut (B) onto the ball/shaft (C) with threaded opening facing the ball, and thread on the metal nut (A) all the way onto the ball/shaft (C) with the nut's (A) "knurled" surface facing away from the ball.
4. Screw the ball/shaft (C) into the threaded insert on the back of the speaker cabinet (F) until it is fully seated against the bottom of the insert. Please refer to page 9 for information on mounting your speakers on the ceiling.



5. Tighten the “knurled” nut (A) using a crescent wrench until it is firmly seated against the back of the speaker and has fully locked the ball/shaft (C) and the speaker cabinet together. Please note that once the nut is tightened, it may embed some marks on the back of the speaker where the attachment is made. The nut (A) will cover these marks.
6. Feed the speaker wire through hole (M) on the wall bracket (D).
7. The safety cord (H) is provided to prevent the speaker from falling. One of the two lower screws (I) that attach the wall bracket (D) to the wall will need to go through the eyelet (K) at the end of the cord before going through the wall bracket hole. Mount the wall bracket (D) onto a wood stud in the wall, using #10 screws that are a minimum of 1 ¼” long. Make sure that all 4 screws are driven into the stud and not in drywall. If the bracket needs to be mounted on drywall, the use of properly selected and installed wall-anchors and screws is essential. Make sure that the screw head is at least 0.36 inches (approximately 3/8 inches) or larger in diameter so that it can properly hold the backup cord eyelet (K).
8. Holding the speaker cabinet (G) with both hands, reinsert the ball portion of the ball/shaft (C) into the wall bracket (D).

9. Hand tighten the molded nut (B) while positioning the speaker for the intended orientation.
10. Once the orientation of the speaker is finalized, use the metal bar (E) in one of the holes on the molded nut (B) and tighten securely.
11. Securely attach the other end (J) of the backup cord (H) to the MNCX speaker, by engaging it through the bracket hole (L) on the back of the speaker.

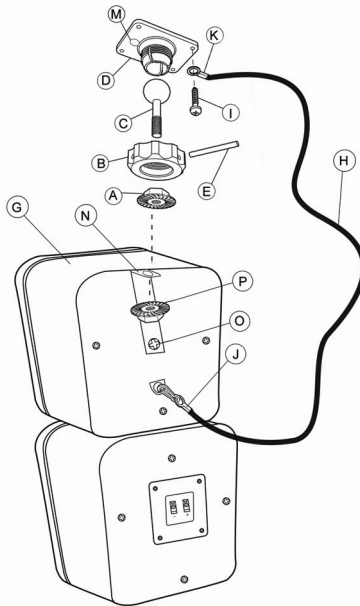
Ceiling Mounting Bracket

A special bracket must be installed prior to mounting the MNCX speaker to the ceiling. This bracket is included with your MNCX speaker and is in a separate package. To mount the speakers to the ceiling follow the instructions below. A diagram of the ceiling mounting system is shown on page 10.

1. Follow “Mounting Your Speakers” steps 1 – 3.
2. Remove the top black screw from the back of the MNCX speaker.
3. Place the ceiling bracket (N) in position on the back of the speaker. Please make sure to line the top screw hole on the ceiling bracket (N) with the screw hole on the MNCX speaker.
4. Start both screws [screw (O) from the bracket kit and the screw you removed from the back of the speaker] but do not tighten in place until you have completely lined up the ceiling bracket (N). Then tighten both screws.

5. Insert the ball/shaft assembly (C) through the hole on the bracket (N). Then place the locking nut (P) on the ball/shaft assembly with the “knurled” surface toward the bracket.
6. Feed the speaker wire through hole (M) on the wall bracket (D).
7. Follow Step 7 under “Mounting Your Speakers”.

Ceiling Mounting System



Speaker Connections

To connect your new speakers to your stereo or home theater system, please follow these instructions.

1. Turn off the receiver or amplifier and unplug it from the power outlet.
2. Use a 2-conductor, 16-gauge speaker wire (M&S part number MS16X) for best results.

Note: Remove about 2 inches of the outside jacket from both ends of the wire then strip approximately $\frac{1}{2}$ inch of the insulation from each conductor at the speaker end. Use the recommended strip length as specified in the amplifier/receiver installation manual for the other end of the wire.

3. Proper connection of the speaker wire is very important to ensure full range sound. Most amplifiers and speakers use red (for +) and black (for -) as the polarity markings. Using the MS16X wire makes connections easy. The red wire should be connected to the red terminal and the black wire to the black terminal at the speakers and the amplifier.

Note: When using another type of wire, such as a flat ribbon, you will need to determine how the wire denotes one lead from another. This usually takes the form of a rib or a color stripe in the insulation.

4. Repeat these steps for connection of all speakers to the system.

The MNCXS system may be connected two ways depending on the amplifier used with the system. The major difference is the subwoofer connections.

1. An amplifier with a subwoofer output connection, usually an RCA type connector would be the preferred connection when used with the MNCXS subwoofer. A shielded audio cable is required for this setup with a Y-adaptor connecting the audio cable to “Left and Right Line Level Inputs” on the subwoofer.
2. The other option requires the front left and right speaker cables be routed from the amplifier through the subwoofer to the speakers. The wires from the amplifier should be connected to the “Speaker Level Inputs” and the cables going to the speakers should be connected to the “Speaker Level Outputs” on the subwoofer.

IMPORTANT! Make sure there are no loose strands of wire touching each other across the speaker or amplifier terminals. This can create a short circuit and damage your electronics.

Refer to the PSW112 Subwoofer Owners Manual for additional information on setting up your subwoofer.

Plug your amplifier or receiver in, turn it on, and enjoy your new music system.

Setting Up Your System

The MNCXS system will require setting up the front, center, and rear speakers as recommended in your amplifier/receiver instruction manual. The subwoofer provided with this system allows setting of the phase, volume, crossover frequency, and auto power control.

The phase switch is set for the best bass sound. Switch between the 0 - 180 position until the bass is loudest. In some applications, there may be no noticeable difference and in this case leave the switch in the 0 position.

The frequency adjustment can be set between 40Hz and 140Hz. It is recommended that the control be set between 120Hz and 140Hz with the MNCX mini-cube speakers.

The volume control should be set to the desired bass level for the system.

Service and Troubleshooting

M&S Systems is committed to producing high quality products for the home. If you have any questions or problems with the speaker system or the speakers are not operating properly, contact your M&S installer or call M&S Systems at 1-800-366-9422 and speak with one of our technical support specialists.

You may also visit our web site at www.mssystem.com for a frequently asked questions list that may provide you with quick assistance with any troubleshooting or service concerns.

Warranty

M&S SYSTEMS Limited 2-Year No-Fault Product Warranty

M&S SYSTEMS warrants for 2 years all products to be free of defects (M&S SYSTEMS honors the 10-Year No-Fault warranty for AirVac Gold power units). The warranty period begins from either (1) the date of "first user" purchase of this product or (2) the first close of escrow date on a residence in which this new product was originally installed. This warranty extends to the original user of the product and to each subsequent owner of the product during the term of this warranty. M&S SYSTEMS will repair or replace, at its option, parts and materials at no charge. Parts supplied under this warranty may be new or rebuilt at the option of M&S SYSTEMS.

If, during the limited warranty period, it appears as though this product contains a defect, which is covered by this limited warranty, **call our toll free service number before dismantling the product (1-800-366-9422). Remember to attain a Return Authorization Number (RAN) before returning any product to M&S SYSTEMS. Send the product freight pre-paid and insured to our service center for warranty repair.** You will be advised on shipping instructions when you call the toll free service number. M&S Systems will return the repaired product freight pre-paid within the U.S.A. The installing dealer or distributor may assist you, at your choice and expense, with returning product for repair. Please include a brief description of the problem and a dated proof-of-purchase receipt with any product that is returned for warranty repair. **ANY PRODUCT RETURNED WITHOUT A RETURN AUTHORIZATION NUMBER WILL BE REFUSED.**

THIS LIMITED WARRANTY IS IN LIEU OF ANY OTHER WARRANTIES, EXPRESS OR IMPLIED, INCLUDING ANY IMPLIED WARRANTY OF MERCHANTABILITY OR FITNESS FOR A PARTICULAR PURPOSE OR OTHERWISE, AND OF ANY OTHER OBLIGATIONS OR LIABILITY ON THE SELLER'S PART. THIS LIMITED WARRANTY DOES NOT COVER DAMAGE CAUSED BY IMPROPER INSTALLATION, THE VIOLATION OF APPLICABLE BUILDING OR ELECTRICAL CODES OR THE USE OF NON-M&S/NON-AIRVAC WIRE, CABLE OR WALL HOUSINGS. THIS LIMITED WARRANTY APPLIES ONLY TO PRODUCTS INSTALLED IN A PRIVATE RESIDENCE.

UNDER NO CIRCUMSTANCES SHALL THE SELLER BE LIABLE FOR CONSEQUENTIAL, INCIDENTAL OR SPECIAL DAMAGES ARISING IN CONNECTION WITH USE OR INABILITY TO USE THIS PRODUCT. IN NO EVENT SHALL SELLER'S LIABILITY, FOR BREACH OF WARRANTY, BREACH OF CONTRACT, NEGLIGENCE OR STRICT LIABILITY, EXCEED THE COST OF THE PRODUCT COVERED HEREBY. NO PERSON IS AUTHORIZED TO ASSUME FOR US ANY OTHER LIABILITY IN CONNECTION WITH THE SALE OF THIS PRODUCT.

Some states do not allow the exclusion or limitation of consequential, incidental or special damages, so the above limitation or exclusion may not apply to you. This limited warranty gives you specific legal rights, and you may also have other rights, which vary from state to state.

MCS Systems

(800) 421-1587

www.mssystem.com

115933 B

Free Manuals Download Website

<http://myh66.com>

<http://usermanuals.us>

<http://www.somanuals.com>

<http://www.4manuals.cc>

<http://www.manual-lib.com>

<http://www.404manual.com>

<http://www.luxmanual.com>

<http://aubethermostatmanual.com>

Golf course search by state

<http://golfingnear.com>

Email search by domain

<http://emailbydomain.com>

Auto manuals search

<http://auto.somanuals.com>

TV manuals search

<http://tv.somanuals.com>