

# NR8M/FMC8 SPEAKERS

## CONGRATULATIONS!

Your purchase of an M&S music and communications system is an investment that will provide years of enjoyment and service for your customer

M&S audio products are backed with more than 50 years of experience in the design and manufacture of precision acoustical equipment for the home. To ensure that your customer receives the high-quality music and voice reproduction that the system is designed to deliver, it is important that each step of the installation be done carefully. If you follow the step-by-step illustrated instructions below, the result will be a successful professional-quality installation. In the event you need troubleshooting assistance, please call our technical staff at 1-800-366-9422.

## INSTALLATION INSTRUCTIONS NR8M/FMC8 SPEAKERS

PLEASE READ AND UNDERSTAND THESE INSTRUCTIONS COMPLETELY BEFORE CUTTING ANY WALL MATERIAL.

Tools Required: Phillips Screwdriver, Wire Cutters/Strippers, Drywall Saw and Measuring Tape

Location: Careful consideration must be given to the speaker's location.

### Location DO NOT's

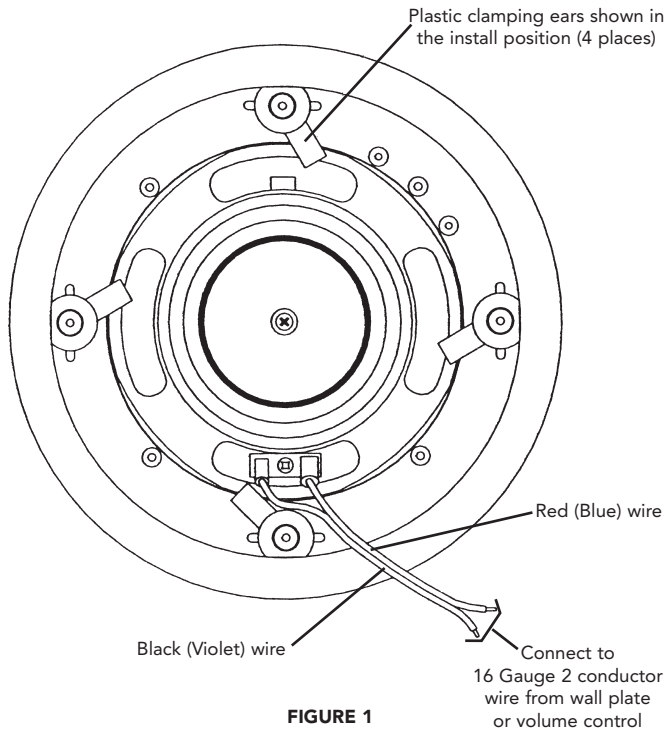
- 🚫 **DO NOT** Install speakers in return air ducts.
- 🚫 **DO NOT** Install speakers in outside walls.
- 🚫 **DO NOT** Install speakers in stud cavities with other 120/240V appliances.
- 🚫 **DO NOT** Install speakers in stud cavities containing plumbing
- 🚫 **DO NOT** Install speakers within 18" of dimmers, fluorescent light fixtures, security wiring and other control wiring.
- 🚫 **DO NOT** Install speakers within 2' of room corners.

### INSTALLATION FOR NEW-CONSTRUCTION (ROUGH-IN):

- Step 1** Determine speaker location and mark your plans for future reference. These speakers **DO NOT** use mounting rings. Each speaker should be mounted at least 2' from the walls, if ceiling mounted or at least 2' from the ceiling, if wall mounted. **DO NOT** mount speakers in outside walls.
- Step 2** Run a 16 gauge 2 conductor cable, such as MS16X5 for the SA8/ SACS10, or a MS2XSC for the NR8M/FMC8, from the volume control to the speaker location. Be sure that you secure the wire (**DO NOT USE STAPLES**) and leave enough wire for the speaker connection.
- Step 3** For speakers being installed in ceiling applications, some type of protection will be required for the back of the speaker if blown insulation is used. The following is a partial list of ways to protect the speaker:
- Use a piece of wood that will cover at least 3' on either side of the speaker opening. The ends may need to be partially closed to keep the blown insulation from reaching the speaker, however, a gap of 2" at each end is better than a sealed box.
  - Use a piece of bat insulation at least 3" thick over the back of the speaker. This insulation should not have a backing or if it does, the backing must be installed facing away from the speaker.
  - Use a fine screen mesh to cover the back of the speaker to protect against bulk type insulation materials. This will not work with an insulation containing a fine powder.

## INSTALLATION FOR EXISTING CONSTRUCTION OR TRIM OUT OF NEW CONSTRUCTION:

**Step 1** Determine speaker location and mark your plans for future reference. These speakers **DO NOT** use mounting rings. Cut a 9 3/8" diameter hole in the ceiling for the speaker. Each speaker should be mounted at least 2' from the walls if ceiling mounted or at least 2' from the ceiling if wall mounted. **DO NOT** mount speakers in outside walls.



**Step 2** Remove the red & black wire pigtail (some speakers may be supplied with wires soldered to the terminals which should not be removed) from the speaker terminals and connect to the red & black (or Blue & Violet) wires from the speaker wire using wire nuts. Be sure that the red(blue) wire (+) is connected to the red(blue) (+) pigtail lead and that the black(violet) wire (-) is connected to the black(violet) (-) pigtail lead as shown in figure 1. Reconnect the slip-on connectors to the speaker terminals. Note that one terminal is larger than the other to insure proper phasing.

**Step 3** Remove grill cover from speaker. Use four screws provided to fasten speaker to the opening in ceiling. Install the speaker in the ceiling opening, as shown in figure 2. Turn the mounting clamp screws clockwise until the speaker is secure. **DO NOT OVER TIGHTEN** the screws. This can damage the speaker and/or the ceiling material and make the metal grill difficult to install.

**Step 4** Divide each adhesive bead strip in half. (Adhesive bead strips are in clear plastic self closing bag). Place strips on edge of grill as shown in figure 2. Reinstall grill on speaker.

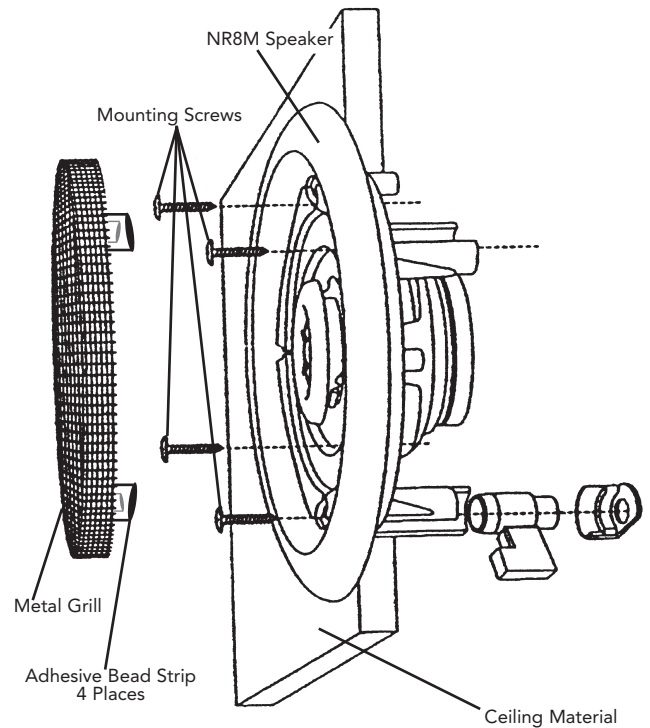


FIGURE 2



### M&S SYSTEMS 2-YEAR LIMITED WARRANTY

M&S Systems, Inc. warrants for two years (2) all products to be free of factory-caused defects in material and workmanship. M&S Systems, Inc. will repair or replace, at its option, parts and materials at no charge, regardless of the problem. This warranty extends to the original purchaser of the product and to each subsequent owner of the product during the term of this warranty. This warranty covers only the liability described above, and does not include liability for incidental or consequential damages. NOTE: Some states do not allow the exclusion or limitation of incidental or consequential damages, so the above limitation or exclusion may not apply to you.

## Free Manuals Download Website

<http://myh66.com>

<http://usermanuals.us>

<http://www.somanuals.com>

<http://www.4manuals.cc>

<http://www.manual-lib.com>

<http://www.404manual.com>

<http://www.luxmanual.com>

<http://aubethermostatmanual.com>

Golf course search by state

<http://golfingnear.com>

Email search by domain

<http://emailbydomain.com>

Auto manuals search

<http://auto.somanuals.com>

TV manuals search

<http://tv.somanuals.com>