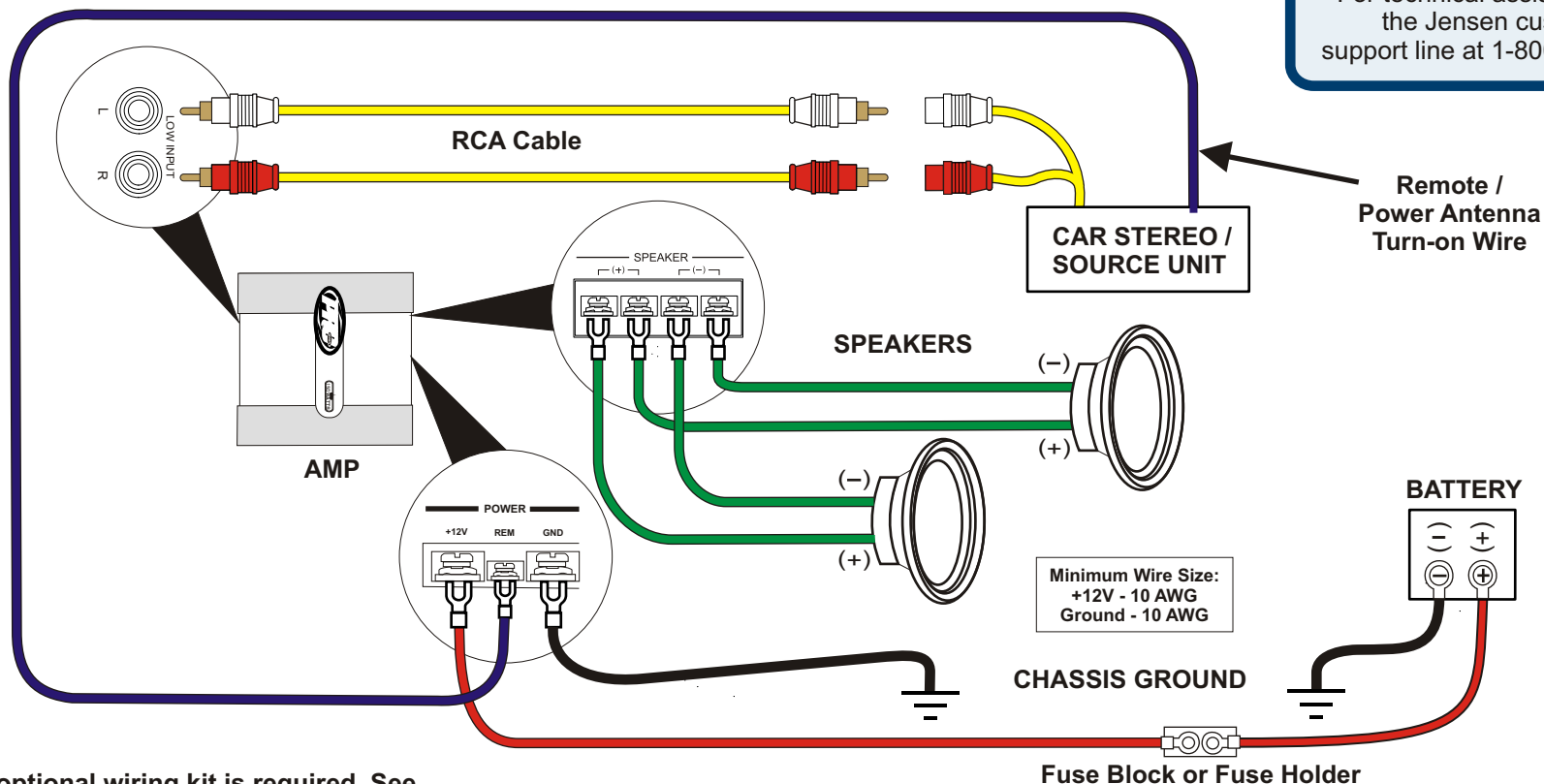


Need help?
For technical assistance, call the Jensen customer support line at 1-800-323-4815.



NOTE: An optional wiring kit is required. See your local Circuit City store or installation shop.

1. Disconnect the negative (-) battery terminal.
NOTE: Check your vehicle's owner's manual before disconnecting the battery. Disconnecting the battery in some vehicles may require an anti-theft code when reconnecting for stereo operation. Some vehicles may run rough after reconnecting the battery and require service to have the on-board computer reset. Check with your local dealer if you are uncertain.
2. Run suitable AWG wire to where the amplifier will be mounted (run 1 foot extra than you think you will need). Use rubber grommets where wires will pass through the firewall or other areas of the vehicle. Make certain a fuse holder is placed within 18 inches of the vehicle battery – this is mandatory. Do not place a fuse in the fuse holder at the battery at this time.
3. Mount the amplifier on a flat surface. Since a flat surface in a modern vehicle is often difficult to find, an alternative is to cut a piece of 1/2 inch wood slightly larger than the amplifier mounting area (covered with automotive type carpeting). Mount the piece of wood, and then mount the amplifier to the carpeted wooden mount.
4. Ground the amplifier using the same AWG wire size used for the power cable. Make sure the ground location is a clean, unpainted metal surface.
5. Run the RCA and Remote turn-on lead to the amplifier from the head unit.
6. Run speaker wires (16 AWG or larger) from your speakers to the amplifier.
7. Place a suitable size fuse in the fuse holder at the battery.
8. Ensure that the input level control is set to "MIN".
9. Turn on the head unit and make appropriate amplifier adjustments.

Free Manuals Download Website

<http://myh66.com>

<http://usermanuals.us>

<http://www.somanuals.com>

<http://www.4manuals.cc>

<http://www.manual-lib.com>

<http://www.404manual.com>

<http://www.luxmanual.com>

<http://aubethermostatmanual.com>

Golf course search by state

<http://golfingnear.com>

Email search by domain

<http://emailbydomain.com>

Auto manuals search

<http://auto.somanuals.com>

TV manuals search

<http://tv.somanuals.com>