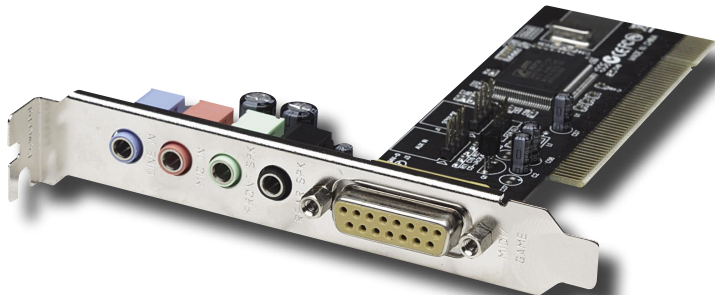


PCI SOUND CARD USER MANUAL

MODEL 173032



 **MANHATTAN**

Download from [Www.Somanuals.com](http://www.Somanuals.com). All Manuals Search And Download. MAN-173032-UM-0107-01

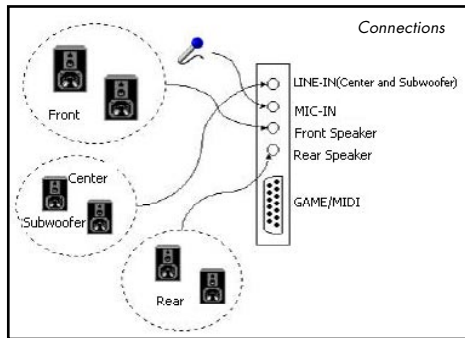
Thank you for purchasing the MANHATTAN® PCI Sound Card, Model 173032. Featuring four channels with a game/MIDI port, it provides a higher level of rich, balanced sound for watching videos, listening to music and playing games on your computer. Follow the instructions in this manual for easy installation and enjoy these quality features:

- Full duplex playback and record with up to 48 kHz / 16-bit sample rates
- Support for HRTF 3D positional audio, DirectSound 3D and A3D interfaces
- 32-bit PCI bus with Bus Mastering
- Plug and Play ability
- Lifetime Warranty

CONNECTIONS

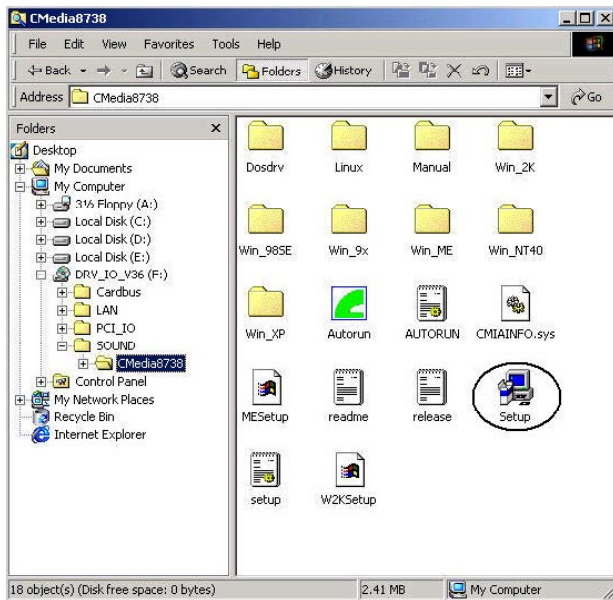
NOTE: To avoid conflicts, it is recommended that any previously installed sound card and drivers be removed prior to installing this Card. If previously installed drivers are not removed, this card may not function properly. If your computer has on-board sound, it needs to be disabled on the motherboard.

Insert the PCI Sound Card in an available PCI slot on your computer. Fasten the card to the case using a screw.

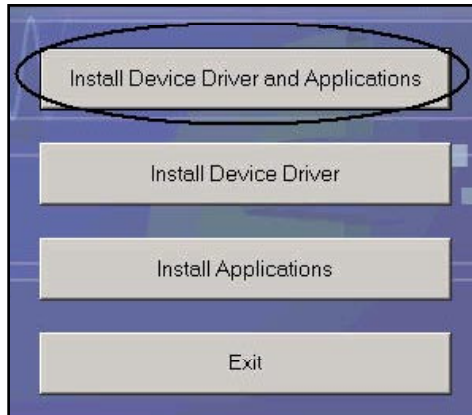


DRIVER INSTALLATION

1. Insert the driver CD into the CD-ROM drive and double-click the Setup icon.



2. Select "Install Device Driver and Applications" to continue.



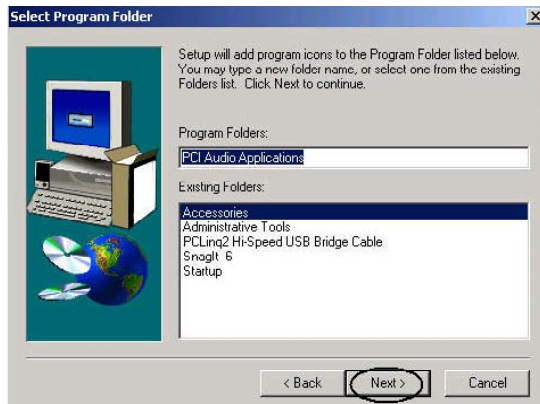
3. In the Choose Setup Language window, select the language of your choice and click "OK."

4. When the Welcome screen appears, click "Next."

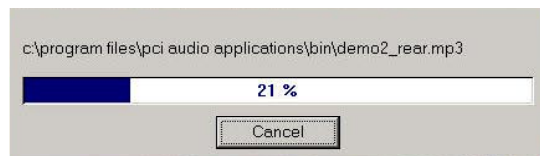
5. When the Choose Destination Location screen appears, click "Next."



6. On the Select Program Folder screen, select "Accessories" in the Existing Folders window and click "Next."



At this point, Windows will begin copying files.



7. When the Restarting Windows screen appears, select "Yes, I want to restart my computer now." Click "OK."



NOTE: To remove the driver installation, click "Start," select "Program," find and run the "Uninstall device drivers and applications" program in the PCI audio applications folder, then follow the on-screen instructions.

SPECIFICATIONS

Standards

- PCI Specification, Rev 2.1
- ACPI compliant
- Microsoft PC98

General

- Ports:
External: line-in, front-out, microphone-in, rear-out, DB15 MIDI/game
Internal: aux-in, analog CD-in (Sony), analog CD-in (Panasonic)
- C-MEDIA 8738 chipset
- Sound Blaster 16 compatible
- Game/MIDI port MPU-401 compatible UART
- 16-bit duplex CODEC
- PCI Plug and Play bus interface
- 32-bit PCI Bus Master
- ACPI and PCI PMI support
- HTRF-based CRL 3D extension positional audio

Environmental

- Dimensions, overall: 13.4 x 12.1 x 2.2 cm (5.27 x 4.8 x 0.86 in.)
- Weight: 62.4 g (2.2 oz.)

System Requirements

- PC Intel Celeron 350 MHz or AMD K6II 500 MHz or above
- 128 MB RAM
- Windows 98SE/Me/2000/XP
- CD-ROM drive

Package Contents

- PCI Sound Card, 4 Channel with Game/MIDI Port
- User manual
- Driver CD



www.manhattan-products.com

Are you completely satisfied with this product?
Please contact your MANHATTAN® dealer with comments or questions.

Copyright © MANHATTAN

All products mentioned are trademarks or registered trademarks of their respective owners.

Download from Www.Somanuals.com. All Manuals Search And Download.

Free Manuals Download Website

<http://myh66.com>

<http://usermanuals.us>

<http://www.somanuals.com>

<http://www.4manuals.cc>

<http://www.manual-lib.com>

<http://www.404manual.com>

<http://www.luxmanual.com>

<http://aubethermostatmanual.com>

Golf course search by state

<http://golfingnear.com>

Email search by domain

<http://emailbydomain.com>

Auto manuals search

<http://auto.somanuals.com>

TV manuals search

<http://tv.somanuals.com>