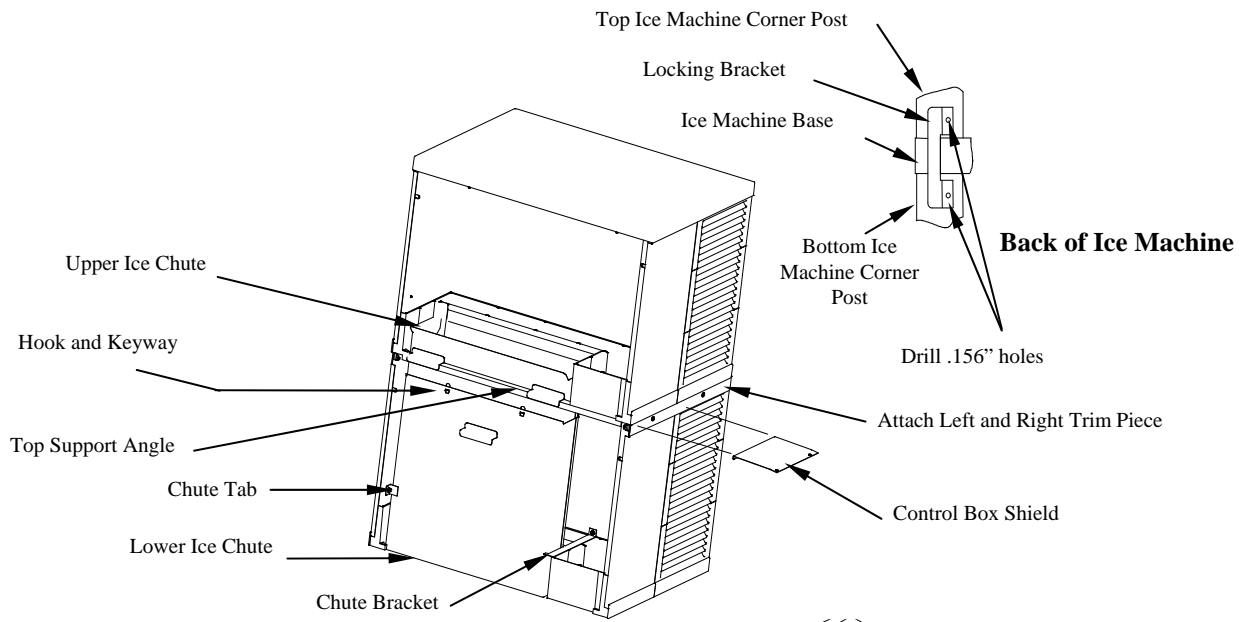




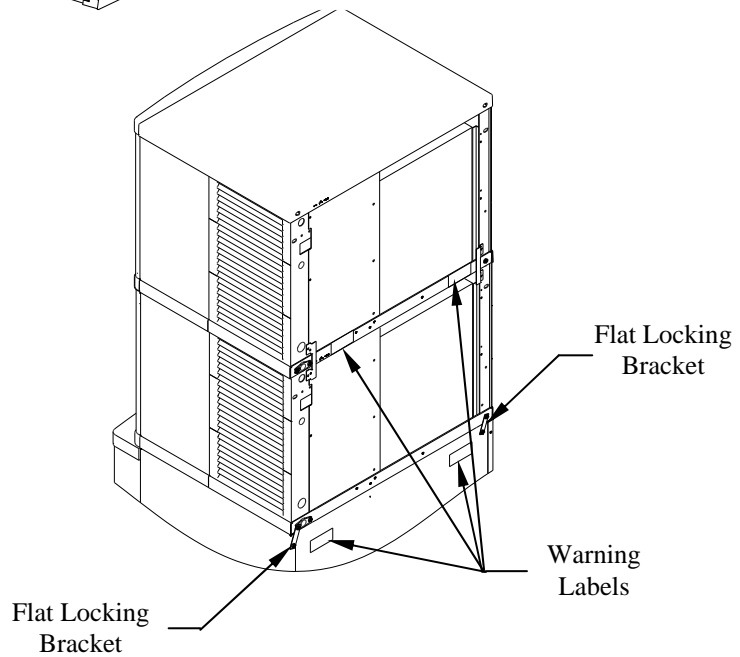
K00142 & K00143 STACKING KITS

Installation Instructions

1. The K00142 is used for stacking a J/Q-0200, J/Q-0450, J/Q-0600, J/Q-0800, or J/Q-1000 on a Q-0450, Q-0600, Q-0800, or Q-1000 ice machine. The K00143 is used for stacking a J/Q-1300 or J/Q-1800 on a Q-1300 or Q-1800 ice machine. (The Q-series ice machine must be on the bottom.)
Note: The bin must be level before proceeding to step 2.
When this kit is used with K00139 or K00170, the water curtain stop bracket must be cut off from the K00139 or K00170 ice chute.
2. Installation of ice machines:
 - A. See installation manual for uncrating and inspection of both ice machines.
 - B. Remove the top cover from the lower ice machine.
 - C. Set the ice machine carefully and squarely on the bin.
 - D. Remove the two screws that hold the top support angle and replace the support with the one supplied in the kit (K00143 only).
 - E. Remove the two screws from the top right-side frame angle above the control box. Using the same two screws, install the control box shield over the control box with the insulated side down.
 - F. Set the top ice machine carefully and squarely on the bottom ice machine.
 - G. Remove the front panels from both ice machines.
 - H. Attach bottom ice machine to bin using existing screws in bin and ice machine and flat locking brackets from kit.
 - I. Drill .156" diameter holes in corner posts, using the locking bracket as a template; attach the locking bracket with four 10-24 x 1/2 screws supplied.
 - J. Attach warning labels from kit, as shown.
 - K. Remove the screws that hold on the side panels and attach the trim pieces (supplied in kit) with the four flat head screws provided.
3. Installation of ice chute:
 - A. Install the upper ice chute over the top support angle on the lower ice machine, while positioning the lower ice chute below it. Let the upper ice chute rest on the top support angle, as you slide the lower ice chute over it, as shown on front view drawing.
 - B. To adjust depth of the lower ice chute, insert hook into keyway at level where the lower ice chute does not hang below the ice machine base (note, there are two hooks and keyways at the front and back of the stacking kit).
 - C. Attach the lower ice chute tab to the bulkhead with the screw provided in the bulkhead. Attach the chute bracket to the bulkhead with the screw provided, as shown on front view drawing.
 - D. Check for free movement of both water curtains.
 - E. Proceed to ice machine installation manual for electrical and water hook-up and start-up procedure.
 - F. Reattach the front panels.



FRONT VIEW



BACK VIEW

Free Manuals Download Website

<http://myh66.com>

<http://usermanuals.us>

<http://www.somanuals.com>

<http://www.4manuals.cc>

<http://www.manual-lib.com>

<http://www.404manual.com>

<http://www.luxmanual.com>

<http://aubethermostatmanual.com>

Golf course search by state

<http://golfingnear.com>

Email search by domain

<http://emailbydomain.com>

Auto manuals search

<http://auto.somanuals.com>

TV manuals search

<http://tv.somanuals.com>