



**Manitowoc**

## K00214 ADAPTER KIT

### Installation Instructions

1. The K00214 kit is used for installing 30" stacked units, Q-0800, Q-1000, QF-2200, and a single 30" S-series ice machine on a Manitowoc S-970 bin.
2. Installation (bin must be level before starting):
  - A. Remove existing foam tape from top of bin.
  - B. Place adapter on bin, as shown. Locate foam tape from kit in the Figure A positions on top of bin, as shown. Note locations of narrow and wide tape.
  - C. Place fillers on adapter, as shown. Make sure the two holes from the adapter and fillers are aligned on the side.
  - D. Using the fillers as templates, drill three 5/32" (4 mm.) holes, .500" (12.7 mm.) deep maximum in bin. **Warning: Do not drill through interior liner.** Attach with 10-24 x .750" screws provided.
  - E. Apply foam tape to the edge of the fillers and on the front and back of the adapter between the fillers in the Figure B positions. Note: It is recommended to RTV intersections and along front inside edge of foam tape (see Figure B) to prevent water tracking.
3. Refer to ice machine installation manual for ice machine installation procedures.

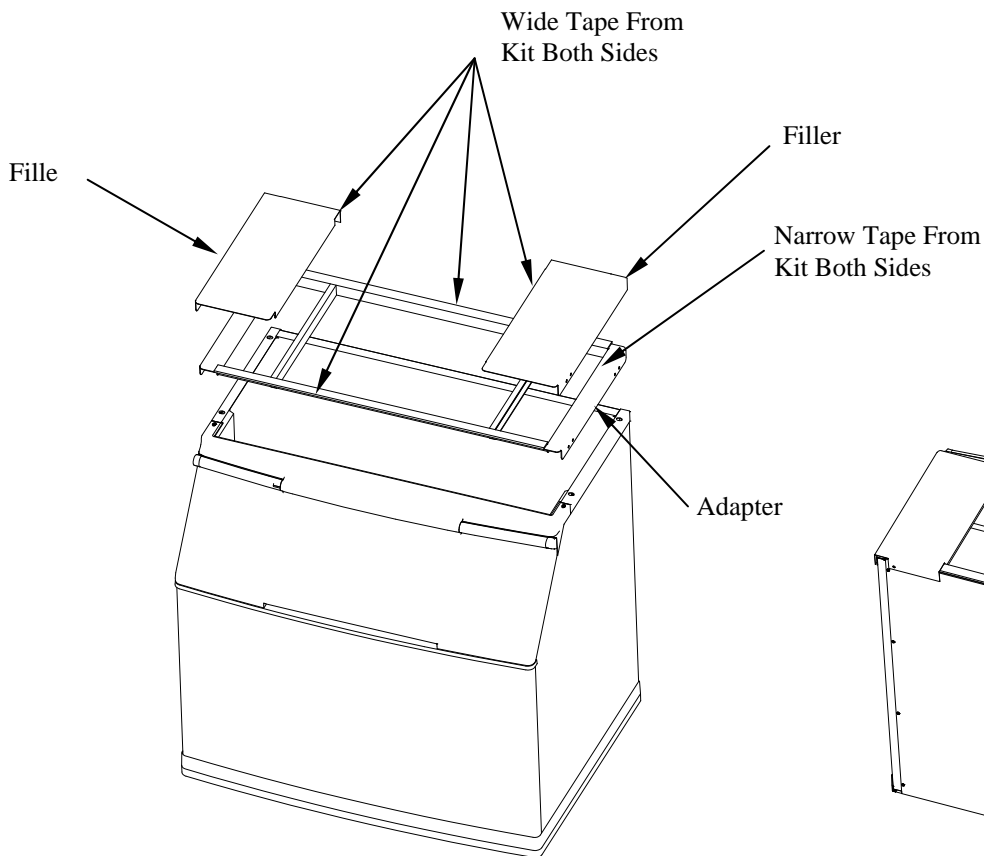


Figure A

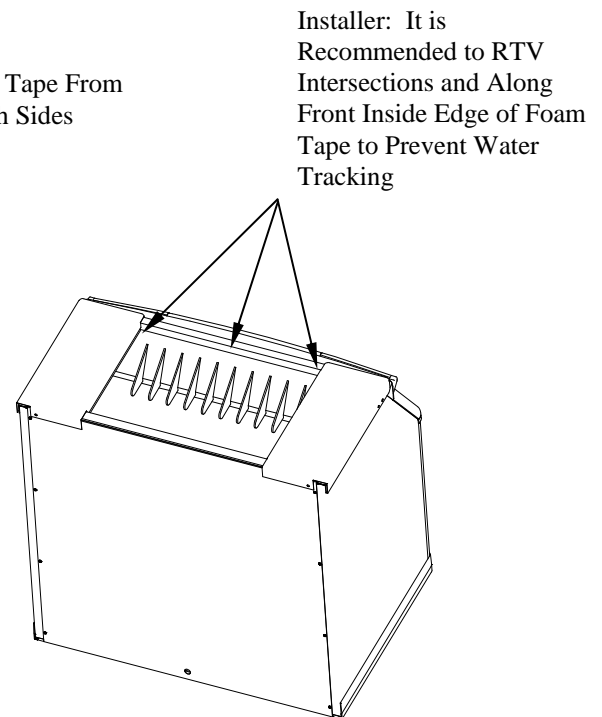


Figure B

## Free Manuals Download Website

<http://myh66.com>

<http://usermanuals.us>

<http://www.somanuals.com>

<http://www.4manuals.cc>

<http://www.manual-lib.com>

<http://www.404manual.com>

<http://www.luxmanual.com>

<http://aubethermostatmanual.com>

Golf course search by state

<http://golfingnear.com>

Email search by domain

<http://emailbydomain.com>

Auto manuals search

<http://auto.somanuals.com>

TV manuals search

<http://tv.somanuals.com>