

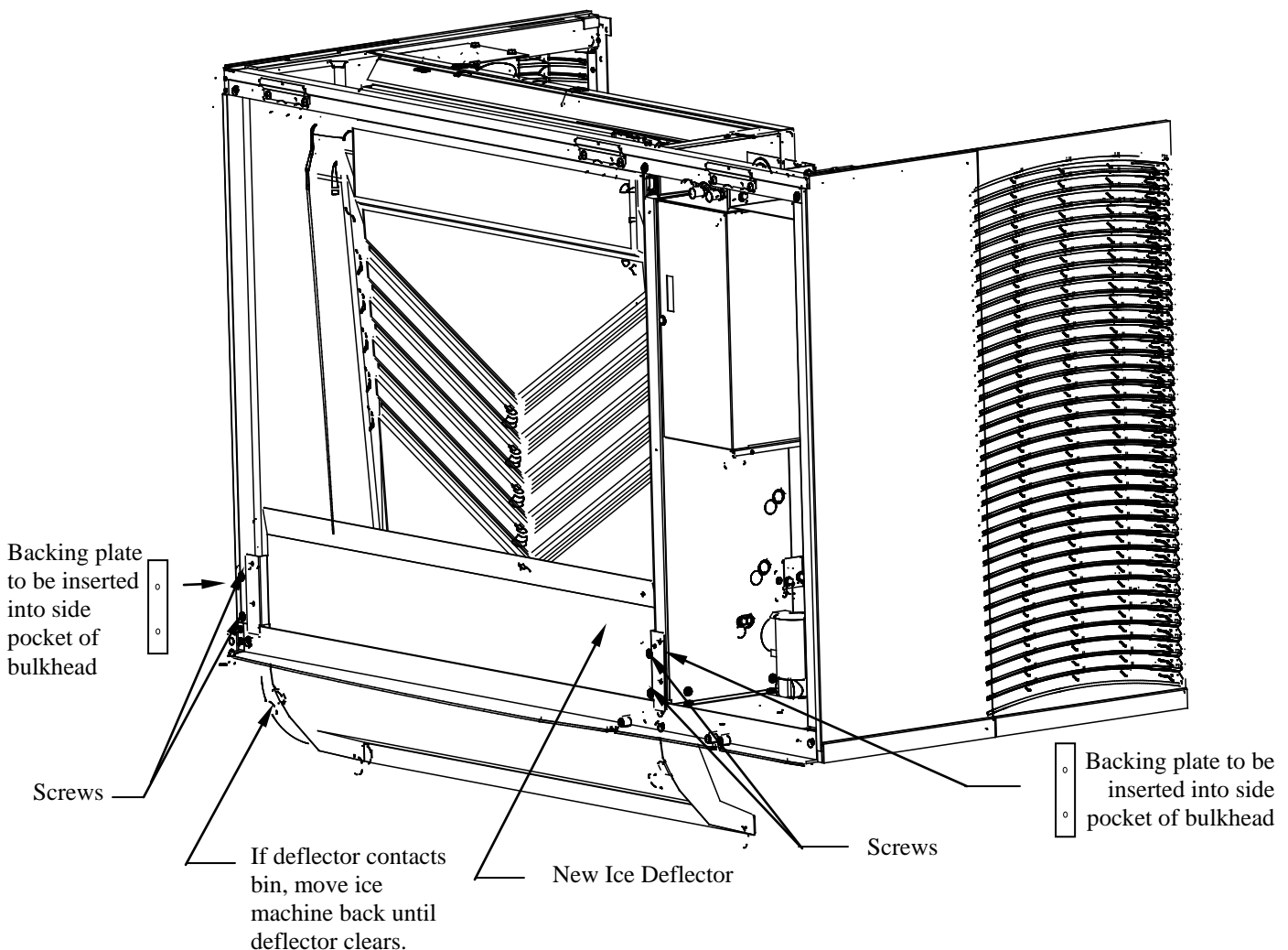


**Manitowoc**

## K00349 ICE DEFLECTOR KIT Installation Instructions

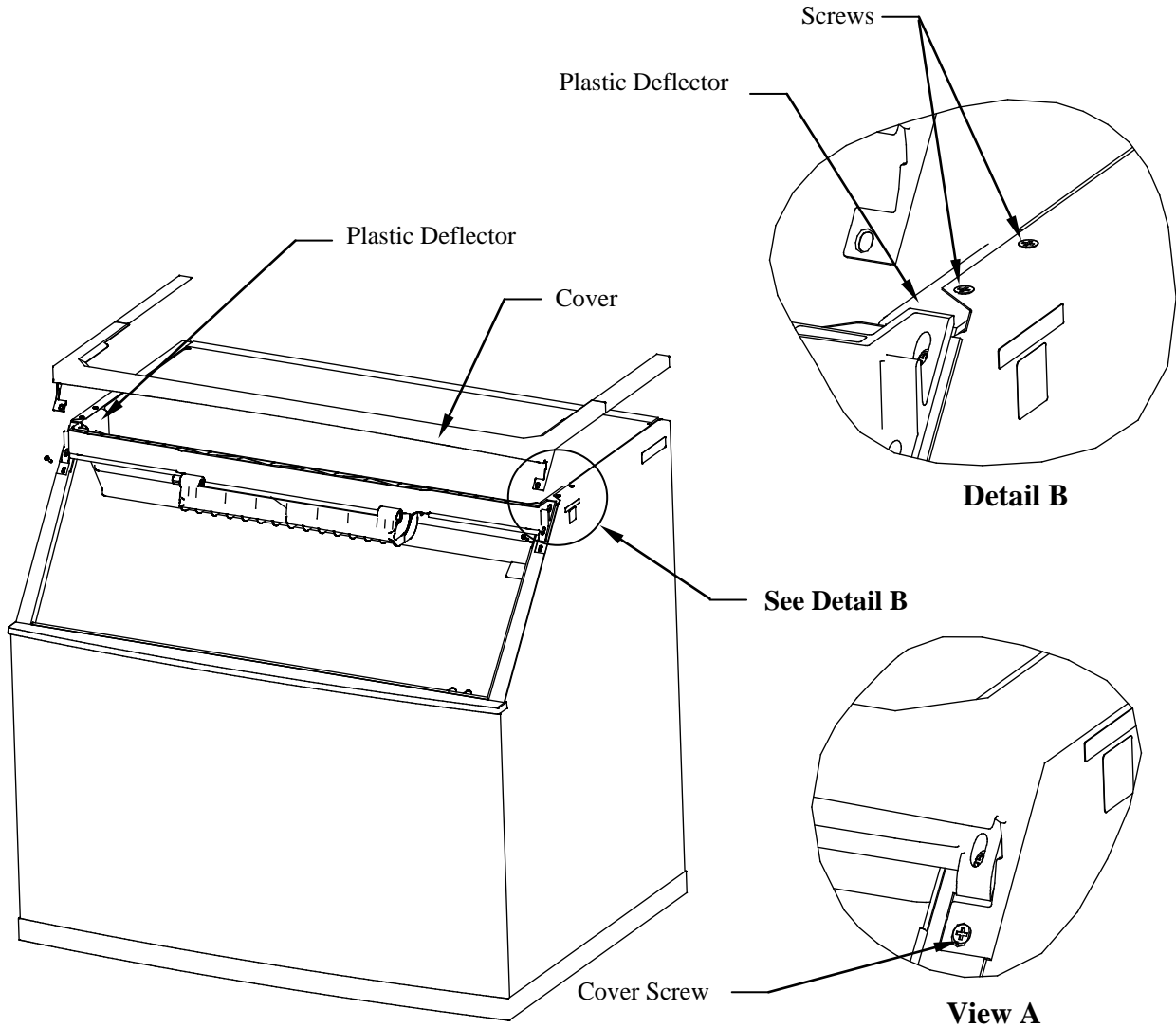
The K00349, ice deflector kit, must be used with the S-1400, S-1600, and S-1800 ice machines, when the ice machine is used on a non-Manitowoc ice storage bin.

1. Remove both front panels.
2. Examine the ice machine to see if the machine has four screws on the lower front plastic panels (see drawing).
3. If there are screws, remove them from the countersunk holes on the front surface of the machine. Save the screws.
4. Install the deflector, using the four screws that were removed in step 3. In some instances, the deflector will hit the bin and not fit properly. Slide the ice machine back (approximately 1/2") until the deflector fits properly.
5. Four screws and two backing plates are in the kit.
6. If there are no screws on the ice machine (step 2), pierce the thin plastic countersunk holes, install the backing plates, and install the deflector, using the screws from the kit.
7. Replace the front panels.



### **Pre-installation Instructions for Removal of Existing Plastic Deflector**

1. Remove the left and right side cover screws (see View A).
2. Remove the cover to expose the four screws that secure the plastic deflector (see Detail B).
3. Take out the four screws. Remove the plastic deflector, replace with a polymer spacer on each side and secure with the four screws.
4. Reinstall the cover and proceed with the installation instructions.



8015263  
Sheet 2 of 2  
Rev. 01/16/08

## Free Manuals Download Website

<http://myh66.com>

<http://usermanuals.us>

<http://www.somanuals.com>

<http://www.4manuals.cc>

<http://www.manual-lib.com>

<http://www.404manual.com>

<http://www.luxmanual.com>

<http://aubethermostatmanual.com>

Golf course search by state

<http://golfingnear.com>

Email search by domain

<http://emailbydomain.com>

Auto manuals search

<http://auto.somanuals.com>

TV manuals search

<http://tv.somanuals.com>