

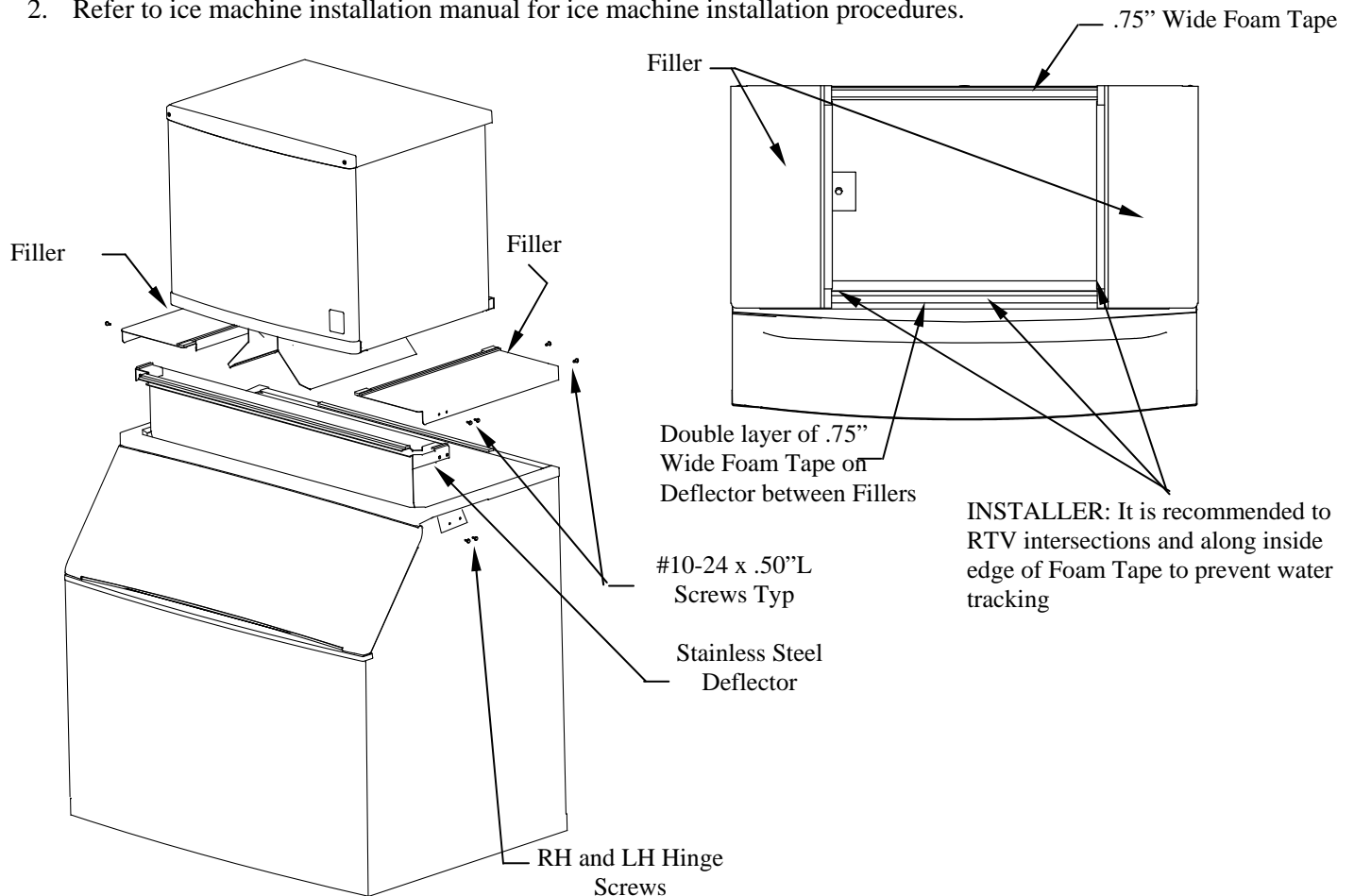


Manitowoc

K00375 ADAPTER KIT Installation Instructions

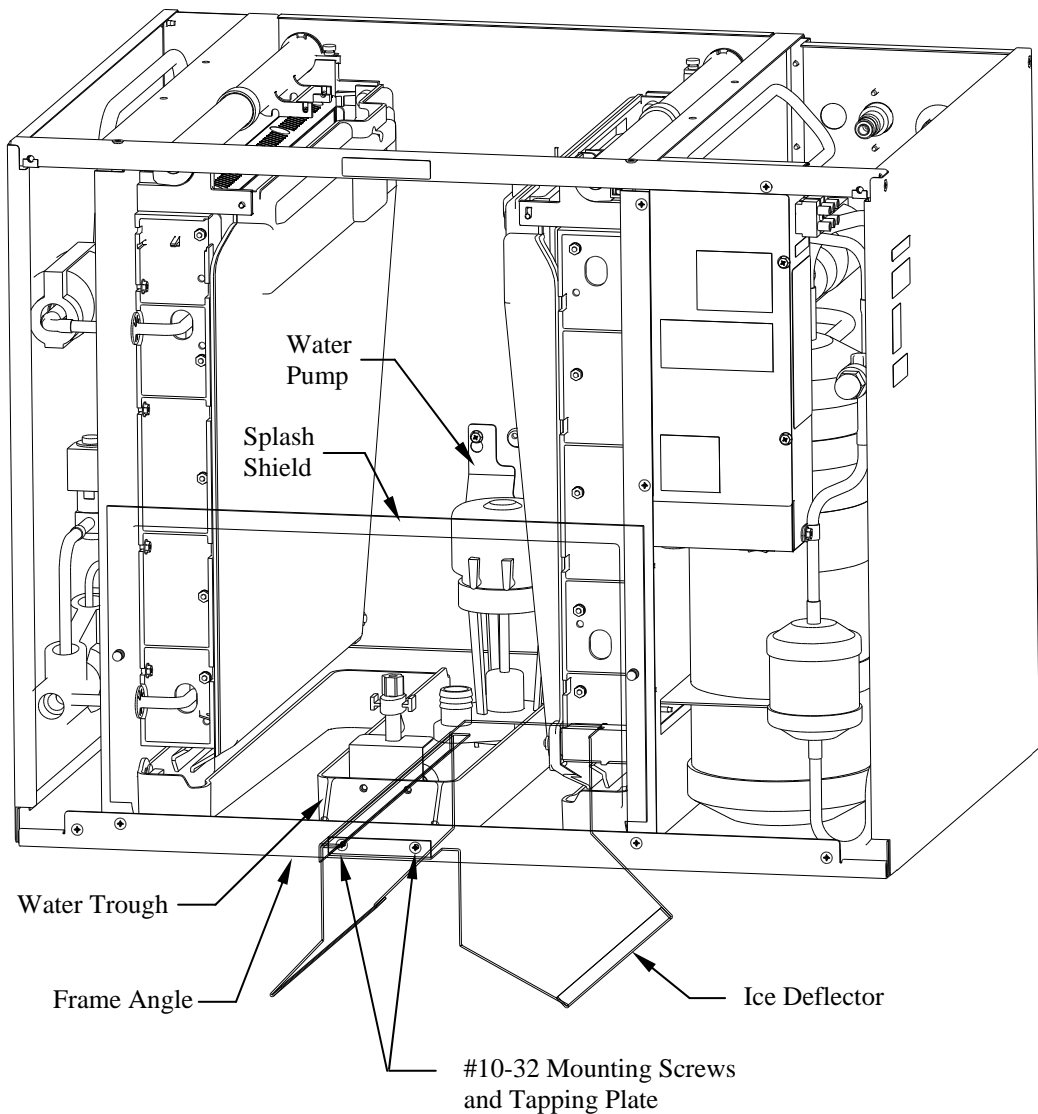
The K00375 kit is used for installing Q-1400 or Q-Dual ice machines on a C-730 bin.

- Note: Bin must be level before installation of ice machine.
 - Remove the foam tape from the front and sides of the bin where the stainless deflector will be located.
 - Remove RH and LH hinge screws and bin door. Remove fillers and old deflector.
 - Place the deflector on the front edge of the bin and align with front bin edge.
 - Place the fillers on the bin, as shown. Make sure the two holes from the stainless deflector and fillers are aligned on the side.
 - Apply foam tape to the front and back of the bin between the fillers. Note: All other required foam tape comes preassembled with the stainless deflector and fillers.
 - Note: It is recommended to RTV intersections and along the inside edge of the foam tape to prevent water tracking.
- Refer to ice machine installation manual for ice machine installation procedures.



Deflector Instructions

1. Remove the splash shield, water pump, and water trough from the ice machine.
1. Install the ice deflector, as shown, using two #10-32 mounting screws and tapping plate. Center the ice deflector directly beneath the water trough. The ice deflector must be secured with two mounting screws for proper operation of the ice machine.
2. Reassemble the water trough, water pump, and splash shield.



Free Manuals Download Website

<http://myh66.com>

<http://usermanuals.us>

<http://www.somanuals.com>

<http://www.4manuals.cc>

<http://www.manual-lib.com>

<http://www.404manual.com>

<http://www.luxmanual.com>

<http://aubethermostatmanual.com>

Golf course search by state

<http://golfingnear.com>

Email search by domain

<http://emailbydomain.com>

Auto manuals search

<http://auto.somanuals.com>

TV manuals search

<http://tv.somanuals.com>