



Manitowoc

000004045

REPLACING BOTTOM EVAPORATOR FRAME AND GASKET

Use kit, 000004045, to replace bottom evaporator frame and gasket on all Q210 and Q270 ice machines. Kit includes all necessary hardware:

<u>Quantity</u>	<u>Description</u>
1	Bottom evaporator frame
1	Gasket
1	Tube silicone sealant
4	Bottom frame disks
4	Brass nuts
1	Instructions

Replacement Instructions:

1. Put ICE/OFF/CLEAN switch to the OFF position.
2. Remove water curtain from evaporator.
3. Using a small flat screwdriver, chip out all four bottom frame disks (Fig. 1). **IMPORTANT:** Be careful not to damage nuts and evaporator studs beneath disks.
4. Remove all four 11/32" brass nuts; pull bottom evaporator frame and gasket from evaporator (Fig. 2).
5. Remove excess silicone sealant from bottom corners.
6. Lay gasket flat on top of bottom evaporator frame with the ribbed edge of gasket in the slotted portion of the bottom evaporator frame (Fig. 3).
7. Install bottom evaporator frame and gasket on evaporator. Tighten four brass nuts so gasket is even with the front edge of bottom evaporator frame and evaporator. **IMPORTANT:** Do not over-tighten and smash gasket.
8. Apply silicone sealant to back edges of bottom frame disks. Insert new bottom frame disks into holes in bottom evaporator frame. Clean off excess silicone sealant.
9. With silicone sealant, seal corners where bottom evaporator frame meets side brackets. **IMPORTANT:** Allow one hour for silicone sealant to dry.
10. Put ICE/OFF/CLEAN switch to ICE position and verify ice machine is operating properly.

(See attached illustrations)

Manitowoc Ice, Inc.

2110 South 26th Street, P.O. Box 1720, Manitowoc, WI 54221-1720 USA

Telephone 920-682-0161, Fax - Sales: 920-683-7589, Service/Parts: 920-683-7585, Other: 920-683-7879

Web Site - www.manitowocice.com

000006498

Sheet 1 of 2

Rev. 00

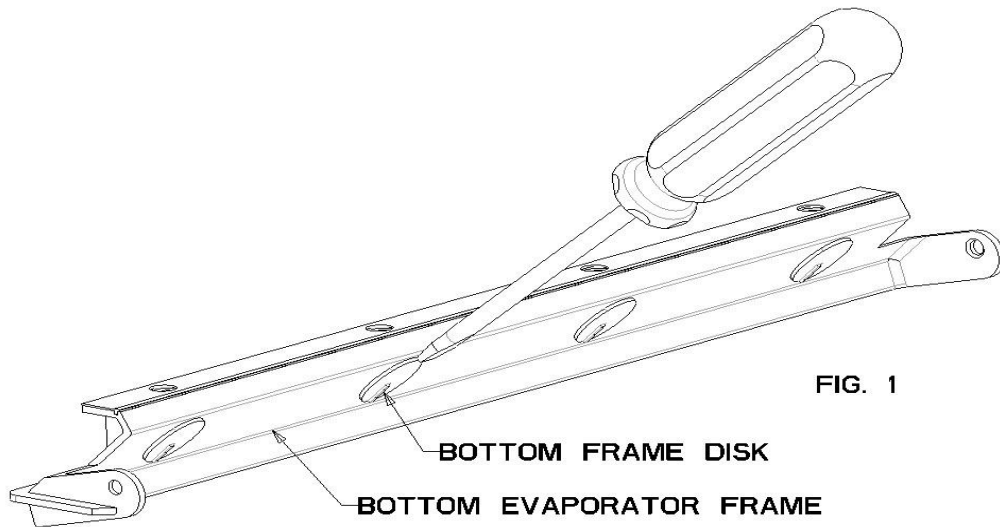


FIG. 1

BOTTOM FRAME DISK

BOTTOM EVAPORATOR FRAME

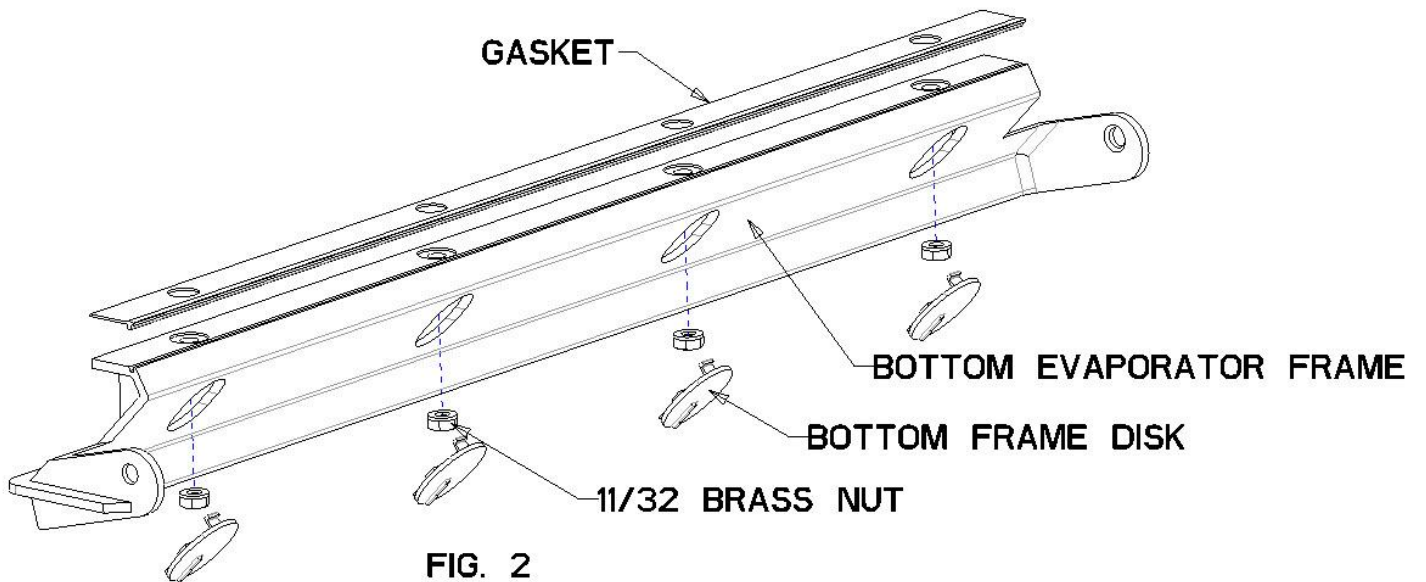


FIG. 2

GASKET

BOTTOM EVAPORATOR FRAME

BOTTOM FRAME DISK

11/32 BRASS NUT

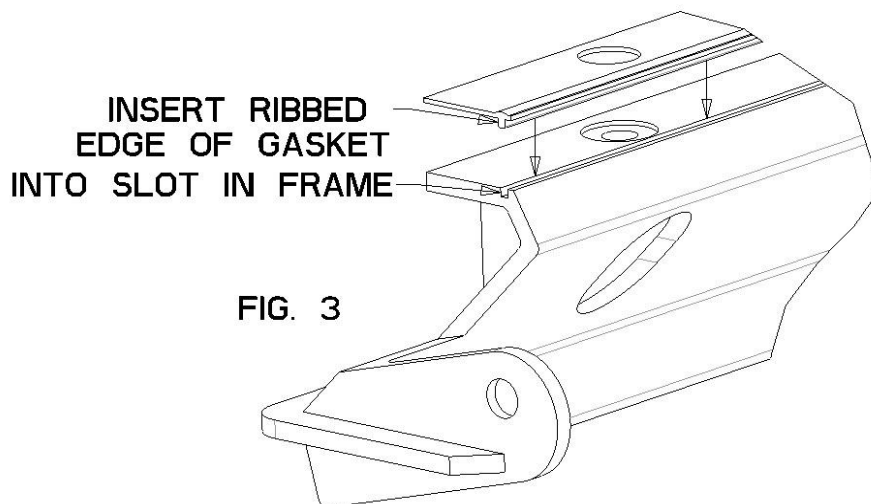


FIG. 3

INSERT RIBBED
EDGE OF GASKET
INTO SLOT IN FRAME

Free Manuals Download Website

<http://myh66.com>

<http://usermanuals.us>

<http://www.somanuals.com>

<http://www.4manuals.cc>

<http://www.manual-lib.com>

<http://www.404manual.com>

<http://www.luxmanual.com>

<http://aubethermostatmanual.com>

Golf course search by state

<http://golfingnear.com>

Email search by domain

<http://emailbydomain.com>

Auto manuals search

<http://auto.somanuals.com>

TV manuals search

<http://tv.somanuals.com>