



RF Model Flake Ice Machines

Installation, Use & Care Manual

This manual is updated as new information and models are released.

Visit our website for the latest manual. www.manitowocice.com

This manual contains English and French text

America's #1 Selling Ice Machine

Part Number 000007644 3/11

Table of Contents

Section 1

General Information

Model Numbers	5
UnderCounter Models	5
Modular Models	5

Section 2

Installation Instructions

Location of Ice Machine	6
Clearance Requirements	6
Installation Requirements	6
RF2300 Bin Adapter Installation	6
Water and Drain Requirements	7
Potable Water Requirements	7
Water Supply and Drain Line Sizing/Connections	7
Drain Connections	7
Electrical Service	8
Voltage	8
Fuse/Circuit Breaker	8
Ground Fault Circuit Interrupter	9
Minimum Power Cord Specifications	9
For United Kingdom Only	9
Maximum Breaker Size & Minimum Circuit Amperage Chart	10
QuietQube Remote Condensing Unit	10
Refrigeration System Installation	
Remote Condensing Unit Only	11
Refrigeration Line Set Installation	
Remote Condensing Unit Only	12
General	12
A. Line Set Length	12
B. Line Set Rise or Drop	12
C. Suction Line Oil Traps	13
Installation Check List	16
Additional Checks for QuietQube Models	17

Section 3

Operation

Evaporator Low Temperature Safety Thermostat and Bin Thermostat	19
RF0244/RF0266/RF0385/ RF0388/RF0399/RF0644 Operation	19
RFS0300 Operation	20
RFS0650/RF1200/RF2300 Operation	20

Table of Contents (continued)

Section 4 Maintenance

Interior Cleaning and Sanitizing	21
Cleaning/Sanitizing Procedure	21
Heavily Scaled Cleaning Procedure	21
Exterior Cleaning	21
Cleaning/Sanitizing Procedure	21
Procedure to Clean Heavily Scaled Flake Ice Machines	22
Removal of Parts for Cleaning/Sanitizing	23
Ice Chute Removal	23
Ice Chute Switch Actuator Removal	24
Air-Cooled Condenser Cleaning	24
Arctic Pure Water Filter System	24
Manitowoc Cleaner and Sanitizer	24

Section 5 Customer Support

Checklist	25
Commercial Ice Machine Warranty	27
Residential Ice Machine Limited Warranty	28

Section 1

General Information

Model Numbers

This manual covers the following models:

UNDERCOUNTER MODELS

Self-Contained Air-Cooled
RF0244A
RF0266A
RF0385A
RF0388A
RF0399A
RF0644A

MODULAR MODELS

Self-Contained Air-Cooled	Self-Contained Water-Cooled	Rack Unit Head Section	QuietQube Head Section	RCU Remote Condensing Unit
RFS0300A	---	---	---	---
RFS0650A	RFS0650W	----	---	---
RF1200A	RF1200W	RF1279R	RF1278C	RCU1075
RF2300A	RF2300W	RF2379R	RF2378C	RCU2375

RF2300 Bin Adapter Installation

Warning

Remove all ice machine panels before lifting and installing.

Warning

PERSONAL INJURY POTENTIAL

Do not operate equipment that has been misused, abused, neglected, damaged, or altered/modified from that of original manufactured specifications.

This appliance is not intended for use by persons (including children) with reduced physical, sensory or mental capabilities, or lack of experience and knowledge, unless they have been given supervision concerning use of the appliance by a person responsible for their safety.

Caution

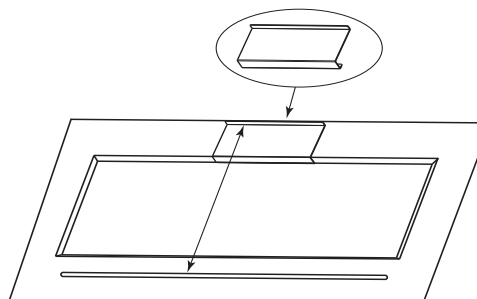
Flake ice machines must be installed on a bin. Flake ice machines cannot be installed on dispensers.

Warning

PERSONAL INJURY POTENTIAL

RF2300 ice machines are not approved for use on B970 bins. RF2300 ice machines ship with a bracket that must be used when installing on B1100 and B1400 Series bins.

1. Refer to diagram. Place bracket on bin top and slide back to engage.
2. Place ice machine on bin: ice machine must fit between bracket and front ridge.



Section 2

Installation Instructions

Location of Ice Machine

The location selected for the ice machine must meet the following criteria. If any of these criteria are not met, select another location.

- The location must be free of airborne and other contaminants.
- The air temperature must be at least 50°F (10°C), but must not exceed 110°F (43°C).
- The water temperature must be at least 40°F (4°C), but must not exceed 90°F (32°C).
- The location must not be near heat-generating equipment or in direct sunlight.
- The location must be capable of supporting the weight of the ice machine and a full bin of ice.
- The location must allow enough clearance for water, drain and electrical connections in the rear of the ice machine.
- The location must not obstruct airflow through or around the ice machine.

CLEARANCE REQUIREMENTS

RF0244 RF0266 RF0385 RF0388 RF0399 RF0644	Air-Cooled	Water-Cooled
	Top	0" (0 cm)
Sides	2" (5 cm)	2" (5 cm)
Back	8" (20 cm)	8" (20 cm)

NOTE: Allowance must be made for removal when the ice machine is built in. Monthly removal of the top panel is required for cleaning & sanitizing.

RFS0300 RFS0650 RF1200 RF2300	Air-Cooled	Water-Cooled	QuietQube Air-Cooled
Top/Sides	8" (20 cm)	8" (20 cm)	0" (0 cm)
Back	5" (13 cm)	5" (13 cm)	0" (0 cm)

RCU Units	Remote Condensing Unit
Front/Back	24" (61 cm)
Sides/Top	6" (15.2 cm)

NOTE: Water-cooled/Remote condensing units only - there is no minimum clearance required. This value is recommended for efficient operation and servicing only.

Installation Requirements

- The ice machine and bin must be level.
- Vent the ice machine and bin drains separately.
- Bin drain termination must have an air gap.
- A backflow preventer is required on water inlet lines.
- The ice machine and bin must be sanitized after installation.
- Local water conditions may require treatment of the water to inhibit scale formation, filter sediment, and remove chlorine odor and taste.
- Routine adjustments and maintenance procedures outlined in this manual are not covered by the warranty.

Ice Machine Heat of Rejection

Series Ice Machine	Heat of Rejection
	Average
RF1279R	7850
RF2379R	15700

B.T.U./Hour
Because the heat of rejection varies during the ice making cycle

Ice machines, like other refrigeration equipment, reject heat through the condenser. It is helpful to know the amount of heat rejected by the ice machine when sizing air conditioning equipment.

This information is also necessary when evaluating the benefits of using water-cooled or remote condensers to reduce air conditioning loads. The amount of heat added to an air conditioned environment by an ice machine using a water-cooled or remote condenser is negligible.

Knowing the amount of heat rejected is also important when sizing a cooling tower for a water-cooled condenser. Use the peak figure for sizing the cooling tower.

Rack Unit Connection Size

Suction Line	Liquid Line
5/8 inch (15.9 mm)	3/8 inch (9.5 mm)

Water and Drain Requirements

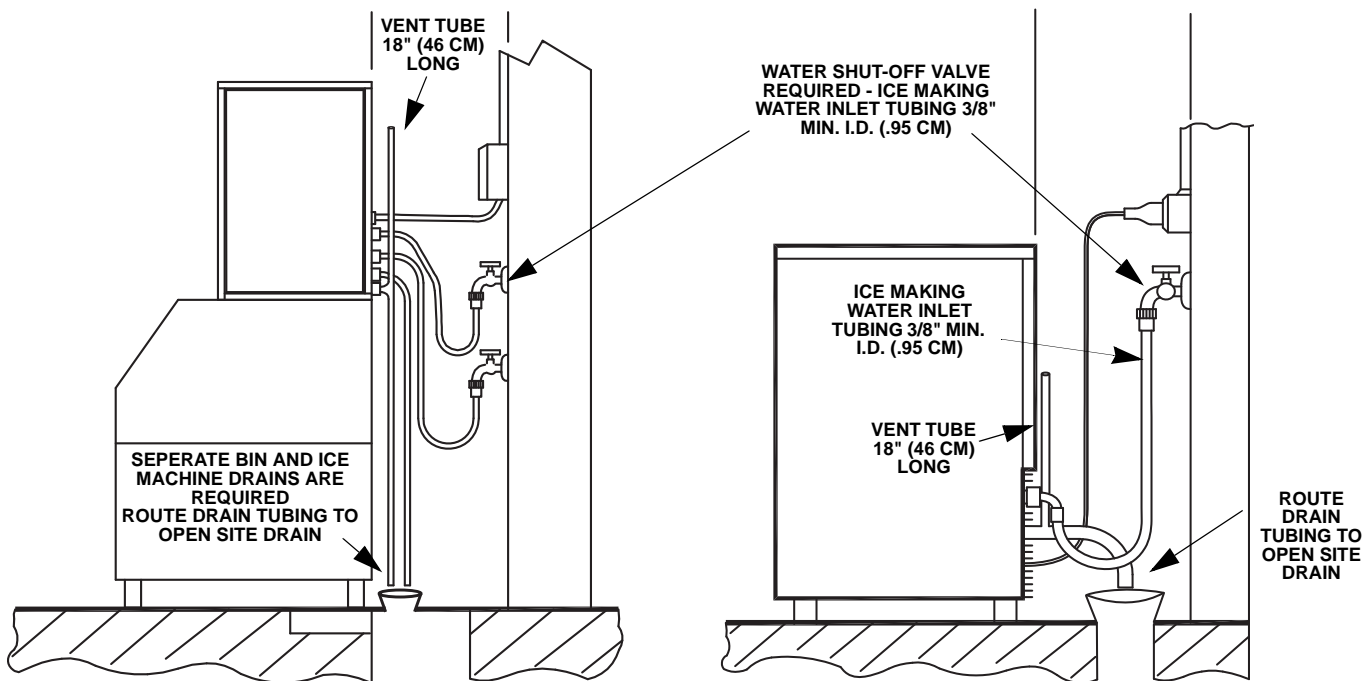
POTABLE WATER REQUIREMENTS

Follow these guidelines to install water inlet lines:

- Do not connect the ice machine to a hot water supply. Be sure all hot water restrictors installed for other equipment are working. (Check valves on sink faucets, dishwashers, etc.)
- If water pressure exceeds the maximum of 80 psig (552 kPa) recommended pressure, obtain a water pressure regulator from your Manitowoc distributor.
- Install a water shut-off valve and union for both the ice making and condenser water lines.
- Insulate water inlet lines to prevent condensation.
- Plumbing must conform to local codes.

WATER SUPPLY AND DRAIN LINE SIZING/ CONNECTIONS

Location	Water Temp Min/Max	Water Pressure Min/Max	Fitting/Min Tubing Size
Potable Water Inlet	40°/90°F (4°/32°C)	14/80 psi (100/552 kPa)	3/8" FPT
Potable Water Drain	---	---	1/2" MPT
Condenser Water Inlet	40°/90°F (4°/32°C)	20/150 psi (138/1034 kPa)	3/8" FPT RF2300 only = 1/2" FPT
Condenser Water Drain	---	---	1/2" MPT
Bin Drain	---	---	3/4" FPT
Large Capacity Bin Drain	---	---	1" FPT



Typical Water Supply Drain Installation

DRAIN CONNECTIONS

Follow these guidelines when installing drain lines to prevent drain water from flowing back into the ice machine and storage bin:

- Drain lines must have a 1.5 inch drop per 5 feet of run (2.5 cm per meter), and must not create traps.
- The floor drain must be large enough to accommodate drainage from all drains.
- Run separate bin and water-cooled condenser drain lines. Insulate them to prevent condensation.

- Vent the bin and ice machine drain to the atmosphere. The ice machine drain requires an 18" (46 cm) vent. Do not vent the condenser drain on water-cooled models.
- Drains must have a union or other suitable means to allow in place disconnection from the ice machine when servicing is required.

Electrical Service

Warning

All wiring must conform to local, state and national codes.

VOLTAGE

The maximum allowable voltage variation is $\pm 10\%$ of the rated voltage at ice machine start-up (when the electrical load is highest).

Warning

The ice machine must be grounded in accordance with national and local electrical codes.

All electrical work, including wire routing and grounding, must conform to local, state and national electrical codes. The following precautions must be observed:

- The ice machine must be grounded.
- A separate fuse/circuit breaker must be provided for each ice machine.
- A qualified electrician must determine proper wire size dependent upon location, materials used and length of run (minimum circuit ampacity can be used to help select the wire size).
- The maximum allowable voltage variation is $\pm 10\%$ of the rated voltage at ice machine start-up (when the electrical load is highest).
- Check all ground screws in the control box and verify they are tight before starting the ice machine.

Important

Observe correct polarity of incoming line voltage. Incorrect polarity can lead to erratic ice machine operation.

FUSE/CIRCUIT BREAKER

A dedicated circuit and a separate fuse/circuit breaker are required for each ice machine.

GROUND FAULT CIRCUIT INTERRUPTER

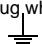
We do not recommend the use of a GFCI/GFI circuit protection with our equipment. If a GFCI/GFI is required by code, use a GFCI/GFI breaker rather than outlet which is more prone to intermittent nuisance trips than panel circuit breakers.

MINIMUM POWER CORD SPECIFICATIONS

The wire size to the receptacle is dependent upon location, materials used, length of run, etc., so it must be determined by a qualified electrician. Local, state or national requirements will supersede our minimum requirements.

FOR UNITED KINGDOM ONLY

As the colors of the wires in the mains lead of the appliance may not correspond with the colored markings identifying the terminals in your plug, proceed as follows:

- The wire which is colored green and yellow must be connected to the terminal in the plug which is marked with the letter E or by the earth ground symbol  or colored green or green and yellow.
- The wire colored blue must be connected to the terminal which is marked with the letter N or colored black.
- The wire colored brown must be connected to the terminal which is marked with the letter L or colored red.

Maximum Breaker Size & Minimum Circuit Amperage Chart

Important

Due to continuous improvements, this information is for reference only. Please refer to the ice machine serial number tag to verify electrical data. Serial tag information overrides information listed on this page.

Series Ice Machine	Voltage Phase Cycle	Air-Cooled			Water-Cooled		QuietQube	
		Max Fuse/Circuit Breaker	Min Circuit Amps	Total Circuit Amps	Max Fuse/Circuit Breaker	Min Circuit Amps	Max Fuse/Circuit Breaker	Total Circuit Amps
RF0244	115/1/60	15 Amp	N/A	7.5	N/A	N/A	—	—
	230/1/50	10 Amp	N/A	0.87	N/A	N/A	—	—
RF0266	115/1/60	15 Amp	N/A	7.5	N/A	N/A	—	—
	230/1/50	10 Amp	N/A	0.87	N/A	N/A	—	—
RF0385	115/1/60	15 Amp	N/A	10.0	N/A	N/A	—	—
	230/1/50	N/A	N/A	N/A	N/A	N/A	—	—
RF0388	115/1/60	15 Amp	N/A	10.0	N/A	N/A	—	—
	230/1/50	10 Amp	N/A	2.9	N/A	N/A	—	—
RF0399	115/1/60	15 Amp	N/A	10.0	N/A	N/A	—	—
	230/1/50	10 Amp	N/A	2.9	N/A	N/A	—	—
RF0644	115/1/60	25 Amp	N/A	13.5	N/A	N/A	—	—
RFS0300	115/1/60	20 Amp	12.8	N/A	N/A	N/A	—	—
RFS0650	115/60/1	25 Amp	16.3	N/A	25 Amp	15.4	—	—
	208-230/1/60	15 Amp	8.7	N/A	15 Amp	8.2	—	—
RF1200	208-230/1/60	15 Amp	15.0	N/A	15 Amp	15.0	15 Amp	1.4
	230/1/50	16 Amp	7.3	N/A	16 Amp	7.3	10 Amp	1.4
RF2300	208-230/3/60	20 Amp	15.0	N/A	20 Amp	15.0	15 Amp	3.2
	400-415/3/50	16 Amp	13.9	N/A	16 Amp	13.9	10 Amp	3.2
RF1200R	208-230/1/60	15 Amp	1.4	N/A	N/A	N/A	—	—
RF2300R	208-230/3/60	15 Amp	3.2	N/A	N/A	N/A	—	—

Maximum allowable voltage variation at compressor start-up is ±10% of voltage listed above and on the model/serial plate.

QUIETQUBE REMOTE CONDENSING UNIT

Condensing Unit	Voltage Phase Cycle	Maximum Fuse/Circuit Breaker	Minimum Circuit Amps
RCU1075	208-230/60/1	15	15
	208-230/60/3	15	15
	208-230/50/1	15	15
RCU2375	208-230/60/1	15	15
	208-230/60/3	15	15
	208-230/50/1	15	15

**Refrigeration System Installation
Remote Condensing Unit Only**

QuietQube® Ice Machine	Remote Condensing Unit	Line Set*
RF1200C RF2300C	RCU1075C RCU2375C	RC-21 RC-31 RC-51

*Line Set	Suction Line	Liquid Line
RC 21/31/51	5/8 inch (15.9 mm)	3/8 inch (9.5 mm)

Important

Manitowoc remote systems are only approved and warranted as a complete new package. Warranty on the refrigeration system will be void if a new ice machine head section is connected to pre-existing (used) tubing or condensing units or vice versa.

**USAGE WITH NON-MANITOWOC
CONDENSING UNITS**

Manitowoc Remote Condensing Units are specifically designed for usage with a QuietQube® Ice Machine Head Section. Standard condensing units and Non-Manitowoc condensing units are not approved for use with a QuietQube® Ice Machine Head Section.

⚠ Caution

The 60-month compressor warranty (including the 24-month labor replacement warranty) will not apply if the Manitowoc Ice Machine and Manitowoc Remote Condensing Unit are not installed according to specifications. This warranty also will not apply if the refrigeration system is modified with a condenser, heat reclaim device, or other parts or assemblies not manufactured by Manitowoc Ice.

Factory Equipment Refrigeration Amounts

ICE MACHINE HEAD SECTION

Each ice machine condensing unit ships from the factory with a R-404A refrigerant charge appropriate for the entire system operation. The serial tag on the ice machine indicates the refrigerant charge. The refrigerant charge is sufficient to operate the ice machine in ambient temperatures between -20°F (-28.9°C) and 120°F (48.9°C). With line set lengths of up to 100 feet (30.5 m).

⚠ Warning

Potential Personal Injury Situation

The QuietQube Condensing Unit contains the refrigerant charge. Installation and brazing of the line sets must be performed by a properly trained and EPA certified refrigeration technician aware of the **dangers of dealing with refrigerant** charged equipment.

⚠ Caution

Never add more than nameplate charge to the refrigeration system for any application.

REFRIGERATION LINE SETS/TRAP KIT

Refrigeration Rated Tubing and Trap Kits are shipped capped with atmospheric pressure.

⚠ Warning

Installation of a QuietQube® Condensing Unit may require the use of special equipment for placement. Trained and qualified personnel are required for proper rigging and lifting.

**Refrigeration Line Set Installation
Remote Condensing Unit Only**

GENERAL

Refrigeration line set installations consist of vertical and horizontal line set distances between the ice machine and the condensing unit. The following guidelines, drawings and calculation methods must be followed to assure proper oil return and remote condensing unit/ice machine operation.

The refrigeration line set installer must be USA Government-Environmental Protection Agency (EPA) certified in proper refrigerant handling and servicing procedures.

Warning

The QuietQube Condensing unit contains refrigerant charge. The two refrigeration valves **must remain closed** until proper installation of the line sets is completed.

Warning

Disconnect electrical power to the ice machine head section and remote condensing unit before proceeding.

Step 1 Verify Ice Machine and Remote Condensing Unit Locations Are Within Guidelines

Prior to installation of the ice machine head section and remote condensing unit be sure that the distance between them is within the line set routing guidelines outlined in this manual.

Roof/Wall Penetration

If required, cut a 3-inch (76.2 mm) circular hole in the wall or roof for routing of refrigeration tubing. A qualified person must perform all roof penetrations.

Step 2 Route Refrigeration Tubing

Properly route refrigeration tubing between the ice machine head section and the remote condensing unit.

A. LINE SET LENGTH

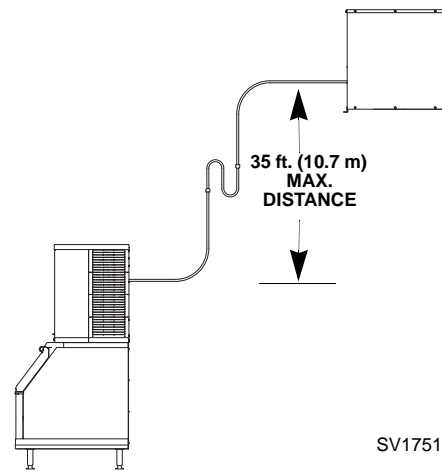
100 feet (30.5 m) Length: The maximum measured length the line set can be.

The receiver is designed to hold a charge sufficient to operate the ice machine in ambient temperatures between -20°F (-28.9°C) and 120°F (48.9°C), with line set lengths of up to 100 feet (30.5 m). The maximum amount of line set which can be exposed on the rooftop is 25% of the total length of the line set.

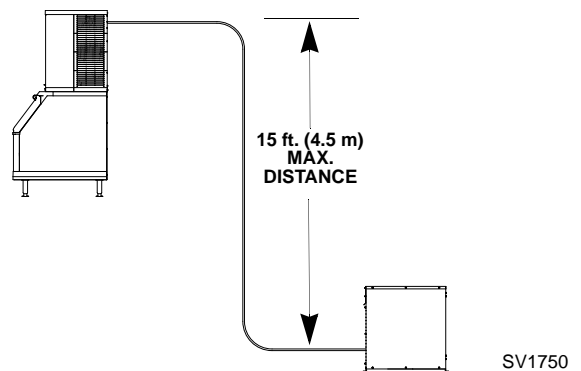
Important

QuietQube® ice machines will not function with line sets greater than 100 feet (30.5 m). Do not attempt to go beyond this distance and add refrigerant charge to compensate!

B. LINE SET RISE OR DROP



35 feet (10.7 m) Rise: The maximum distance the remote condensing unit can be above the ice machine.



15 feet (4.5 m) Drop: The maximum distance the remote condensing unit can be below the ice machine.

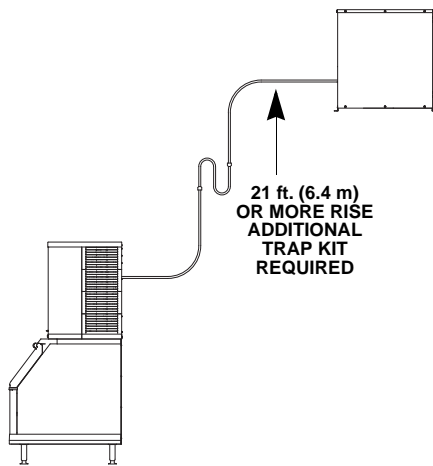
C. SUCTION LINE OIL TRAPS

⚠ Caution

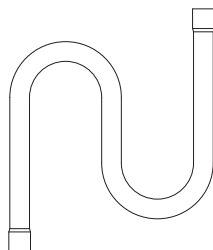
Do not form unwanted traps in refrigeration lines. Never coil excess refrigeration tubing.

0 to 20 feet (0 to 6.1 m) Rise: No oil trap is required when the condensing unit is located 20 feet (6.1 m) or less above the ice machine head section.

21 to 35 feet (6.4 to 10.7 m) Rise: The suction line requires an additional Oil Trap (“S” type) to be installed. Install the trap as close as possible to midpoint between the ice machine head section and remote condensing unit. S-Trap Kits are available from Manitowoc.



SV1751



SV1760

Service Loop

A service loop in the line set permits easy access to the ice machine for cleaning and service.

- A service loop is not considered an oil trap.
- The service loop is not included when calculating length, rise or drop of the tubing run.
- Do not use hard rigid copper for the service loop.

⚠ Caution

If a line set has a rise followed by a drop, another rise cannot be made. Likewise, if a line set has a drop followed by a rise, another drop cannot be made.

Step 3 Lengthening or Reducing Line Set Lengths

⚠ Caution

Do not form unwanted traps in refrigeration lines. Never coil excess refrigeration tubing.

When the line set requires shortening or lengthening, do so before connecting the line set to the ice machine head section or the remote condensing unit.

Step 4 Connecting the line set

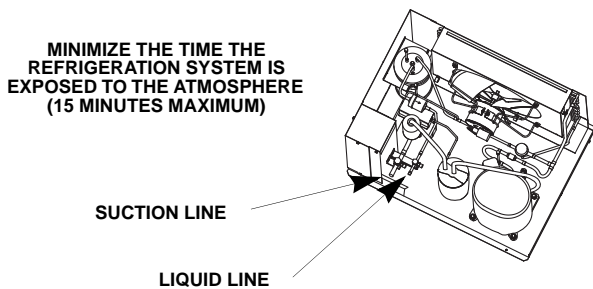
To prevent oxidation of the copper, purge line set and condensing unit with dry nitrogen while brazing.

A. Connect the Line Set to the Remote Condensing Unit

Warning

The QuietQube Condensing unit contains refrigerant charge. The two refrigeration valves **must remain closed** until proper installation of the line sets is completed.

The line set shut-off valves must remain closed and be protected from heat during the brazing process. Wrap the valves in a wet rag or other type of heat sink prior to brazing. Cool braze joint with water immediately after brazing to prevent heat migration to the valve.



B. Connect the Line Set to the Ice Machine Head Section

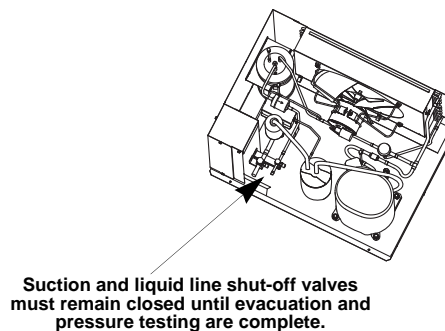
Warning

The ice machine head section ships from the factory pressurized with R404A refrigerant. Recover the refrigerant from both suction and liquid line access ports prior to cutting into refrigeration lines.

- Cut the suction and liquid tubing with a tubing cutter, leaving enough tubing to easily braze.
- Connect the line set.
- Cool braze joint with water immediately after brazing to prevent heat migration.

Step 5 Pressure Test and Evacuate Line Set and Ice Machine Head Section

- Suction and liquid line set shutoff valves must remain closed until pressure testing and evacuation are complete.
- Pressure testing and evacuation can be performed from the ice machine head section or CVD condensing unit shut-off valves.
- Schrader valve core removal tools that allow for removal and installation of the valve cores without removing manifold gauge set hoses are recommended to decrease the evacuation time.
- Pressure test @ 150 psi (1000 kPa) for a minimum of 15 minutes.
- Minimum evacuation level is 500 microns.

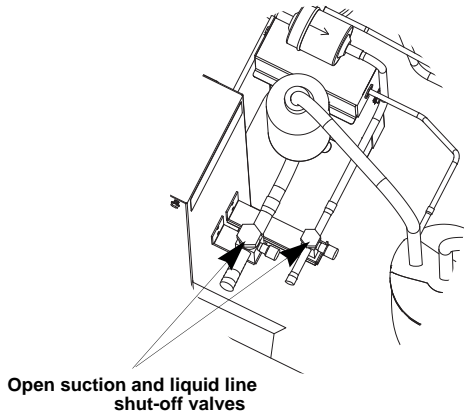


Step 6 Leak Check The Refrigeration System

Leak check the new line set connections at the ice machine head section, condensing unit and S trap as well as all factory joints throughout the entire system. Disconnect power to the remote condensing unit. Place the rocker switch into the ON position. This allows the low side and high side pressures to equalize for leak checking. Place the rocker switch in the OFF position. Connect power to the remote condensing unit and allow system to pump down after leak checking is complete.

Step 7 Open The Valves Prior To Starting The Ice Machine

- A. Slowly backseat (open-turn counterclockwise) the suction line shutoff valve.
- B. Slowly backseat (open-turn counterclockwise) the liquid line shutoff valve.



Open Valves

Important

All refrigeration valve caps must be reinstalled to prevent future refrigeration leaks.

Verify O-ring in schrader valve caps are intact and reinstall on shutoff valves to prevent refrigerant leakage. Replace shutoff valve access caps and torque to the following specifications.

Torque Values

Stem	18-20 ft. lbs. (24.4-27.1 Nm)
Caps	12-15 ft. lbs. (16.3-20.3 Nm)
Schrader Core	1.5-3 in. lbs. (0.17-0.34 Nm)

Step 8 Insulation Requirements

To prevent condensation the entire suction line must be insulated. All insulation must be airtight and sealed at both ends.

The following insulation requirements prevent condensation at 90°F (32.2°C) ambient 90% Relative Humidity. If higher humidity is expected, increase insulation thickness.

The entire suction line set requires:

Suction Line	Liquid Line	Min. Insulation Thickness
5/8 in. (16 mm)	3/8 in. (10 mm)	1/2 in. (13 mm) Suction Line 1/4 in. (7 mm) Liquid Line

Important

To prevent condensation the entire suction line must be insulated. All insulation must be airtight and sealed at both ends.

The minimum requirements are for conditions at or below 90% humidity and 90°F (32°C) ambient. When higher humidity will be experienced, or local code requires, insulation wall thickness will need to be increased.

Installation Check List

All Manitowoc ice machines are factory-operated and adjusted before shipment. Adjustments and maintenance procedures outlined in this manual are the responsibility of the owner/operator and are not covered by the warranty.

- | | |
|---|---|
| <input type="checkbox"/> Is the Ice Machine level? | <input type="checkbox"/> Is there a separate drain for the water-cooled condenser? |
| <input type="checkbox"/> Is the ice machine and adapter (when used) secured to the dispenser? | <input type="checkbox"/> Is there a separate drain for the dispenser? |
| <input type="checkbox"/> Have all of the electrical and water connections been made? | <input type="checkbox"/> Is the ice making water turned on? |
| <input type="checkbox"/> Has the supply voltage been tested and checked against the rating on the nameplate? | <input type="checkbox"/> Are all electrical leads free from contact with refrigeration lines and moving equipment? |
| <input type="checkbox"/> Is there proper clearance around the ice machine for air circulation? | <input type="checkbox"/> Has the owner/operator been instructed regarding maintenance and the use of Manitowoc Cleaner and Sanitizer? |
| <input type="checkbox"/> Is the ice machine grounded and polarity correct? | <input type="checkbox"/> Has the owner/operator completed the warranty registration card? |
| <input type="checkbox"/> Has the ice machine been installed where ambient temperatures will remain in the range of 50° - 100°F (14.4° - 37.8°C)? | <input type="checkbox"/> Has the ice machine and bin been sanitized? |
| <input type="checkbox"/> Has the ice machine been installed where the incoming water temperature will remain in the range of 50° - 90°F (14.4° - 32.2°C)? | <input type="checkbox"/> Is the rocker switch set to ON? |

Additional Checks for QuietQube Models

- | | |
|---|---|
| <input type="checkbox"/> Is the lineset length, rise and drop within the guidelines? | <input type="checkbox"/> Has the condenser/condensing unit been installed to prevent any roofing damage? |
| <input type="checkbox"/> Are the suction and liquid line shut-off valves open? | <input type="checkbox"/> Have the refrigeration lines been insulated and secured properly to prevent vibration? |
| <input type="checkbox"/> Is the line set routed properly? | <input type="checkbox"/> Has the RCU remote condensing unit been located where ambient temperatures will remain in the range of -20° to 120°F (-29° to 48.9°C)? |
| <input type="checkbox"/> Are both refrigeration lines to remote condensing unit run so they do not lay in water and are properly insulated? | <input type="checkbox"/> Is a refrigeration oil trap (S-trap) installed if the condenser is installed 21 to 35 feet (6 to 11 m) above the ice machine head? |
| <input type="checkbox"/> Does the condenser fan motor(s) operate properly after start-up? | |
| <input type="checkbox"/> Have all the refrigeration fittings and joints been leak checked? | |

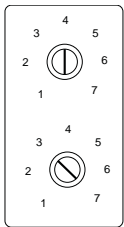
Section 3 Operation

NOTE: Flake ice machines use an auger to remove ice from the evaporator. Occasional noises (creaks, groans, squeaks, or pops) are a normal part of the ice making process.

Evaporator Low Temperature Safety Thermostat and Bin Thermostat

The bin thermostat sensing bulb is located in the ice chute or bin and turns the ice machine on and off as the level of ice in the ice chute or bin changes.

Model	Bin Thermostat Setting	Evaporator Thermostat Setting
RF0244/RF0266	5	5
RF0388/RF0399/ RF0644	5	7
RFS0300	4	7
RFS0650	4	N/A
RF1200/RF2300	5	N/A



BIN THERMOSTAT
SMALL NUMBERS = LESS ICE IN BIN
LARGE NUMBERS = MORE ICE IN BIN

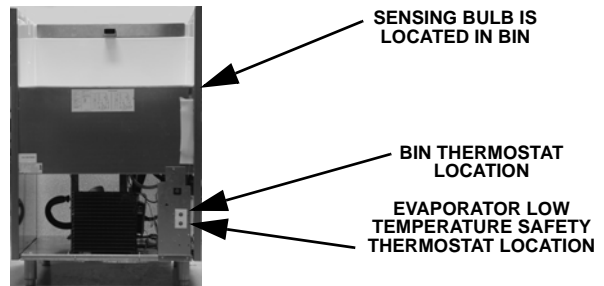
**EVAPORATOR LOW TEMPERATURE
SAFETY THERMOSTAT**
INCORRECT SETTINGS WILL CAUSE ICE
MACHINE TO SHUT OFF

RF0244/RF0266/RF0385/ RF0388/RF0399/RF0644 Operation

The ice machine will not start until:

- The rocker switch is moved to "ON".
- Ice does not contact the bin thermostat bulb.
- The water reservoir is full of water.

Placing the toggle switch in the ON position starts the gear motor and refrigeration system. The float valve controls the water inlet valve and water level. The freeze cycle ends when ice contacts the bin thermostat. The ice machine will restart when ice no longer contacts the bin thermostat.

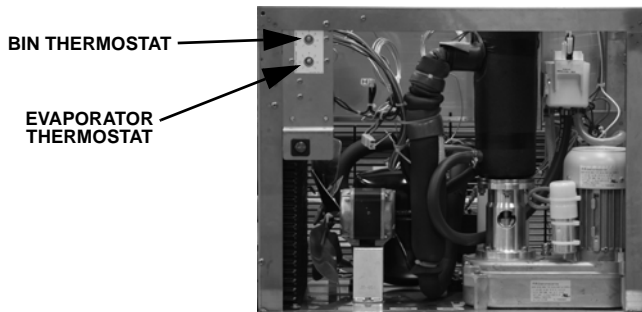


RFS0300 Operation

The ice machine will not start until:

- A. The rocker switch is moved to "ON".
- B. Ice does not contact the bin thermostat bulb.
- C. The water reservoir is full of water.

Placing the toggle switch in the ON position starts the gear motor and a 10 minute compressor time delay. The compressor starts and the float valve controls the water inlet valve and water level. The freeze cycle ends when ice contacts the bin thermostat. The ice machine remains off until ice no longer contacts the bin thermostat.

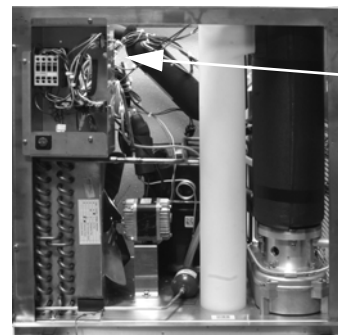


RFS0650/RF1200/RF2300 Operation

The ice machine will not start until:

- A. The rocker switch is moved to "ON".
- B. Ice does not contact the bin thermostat bulb.
- C. The water reservoir is full of water.

Placing the toggle switch in the ON position starts the gear motor. After the rotation speed sensor verifies 10 minutes of correct rotation, the time delay ends and the compressor starts. The ice machine will continue to make ice until ice contacts the bin thermostat. The ice machine remains off until ice no longer contacts the bin thermostat.



**BIN THERMOSTAT IS
LOCATED ON SIDE OF
CONTROL BOX**

Section 4

Maintenance

Interior Cleaning and Sanitizing

Maintenance procedures covered in this manual are not covered by the warranty.

Caution

Use only Manitowoc approved Nickel Safe Ice Machine Cleaner (part number 000000084) and Sanitizer (part number 94-0565-3). Do not mix Cleaner and Sanitizer solutions together. It is a violation of Federal law to use these solutions in a manner inconsistent with their labeling. Read and understand all labels printed on bottles before use.

Warning

Wear rubber gloves and safety goggles (and/or face shield) when handling Ice Machine Cleaner or Sanitizer.

CLEANING/SANITIZING PROCEDURE

This procedure must be performed once every month.

- All ice must be removed from the bin.
- The ice machine and bin must be disassembled cleaned and sanitized.
- The ice machine produces ice with the cleaner and sanitizer solutions.
- All ice produced during the cleaning and sanitizing procedure must be discarded.

HEAVILY SCALED CLEANING PROCEDURE

Perform this procedure if you have some or all of these symptoms.

- Grinding, popping or squealing noises from the evaporator.
- Grinding noise from gearbox.
- Ice machine trips speed sensor.

NOTE: A Cleaning/Sanitizing Procedure must be performed after this procedure.

Exterior Cleaning

Remove dust and dirt off exterior surfaces with mild household dishwashing detergent and warm water. Wipe dry with a clean, soft cloth.

Cleaning/Sanitizing Procedure

Use Nickel Safe Ice Machine Cleaner, part number 000000084.

Use Ice Machine Sanitizer part number 94-0565-3.

Step 1 Remove front and top covers and set the toggle switch to the OFF position.

Step 2 Remove all ice from the bin.

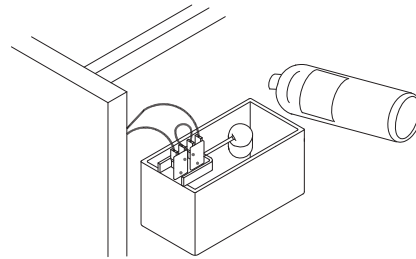
Step 3 Turn off the ice making water supply and drain water from evaporator and reservoir.

Step 4 Remove the top cover from water reservoir.

Step 5 Follow the chart and premix cleaner and water.

Amount of Water	Amount of Nickel Safe Cleaner - Part Number 000000084
1 gallon (4 Liters)	3 ounces (90 ml)

Step 6 Fill the evaporator and reservoir with cleaning solution.



Step 7 Move the toggle switch to the ON position. The ice machine will make ice with the cleaning solution and deposit the ice in the bin. Add the remaining cleaner/water solution as the water level in the reservoir drops.

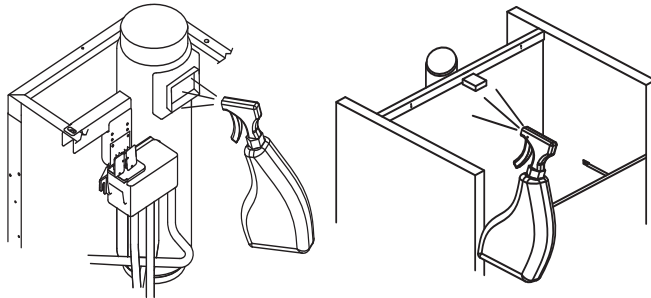
NOTE: Do not allow the cleaner/water level to drop below the minimum water level. The ice machine will discontinue the cleaning cycle if the water float switch opens.

Step 8 After all of the cleaner/water solution has been added, turn on the ice making water supply. Continue the freeze cycle for 10 minutes to remove the cleaning solution from the water circuit.

Step 9 Place the toggle switch in the OFF position.

Step 10 Refer to disassembly for cleaning/sanitizing and remove parts for hand cleaning/sanitizing.

- Hand clean all parts.
- Rinse all parts with clear potable water.
- Sanitize all parts — do not rinse after sanitizing.
- Spray all interior bin surfaces with sanitizer (do not rinse sanitized areas).
- Spray evaporator discharge spout.



Step 11 Reassemble ice machine.

Step 12 Turn off the ice making water supply.

Step 13 Refer to chart and premix water and sanitizer.

Amount of Water	Amount of Sanitizer
1 Gallons (4 L) Water	1/2 ounce (15 ml)

Step 14 Fill the evaporator and reservoir with sanitizer/water solution.

Step 15 Move the toggle switch to the ON position. The ice machine will make ice with the sanitizer/water solution and deposit the ice in the bin. Add the remaining sanitizer/water solution when the water level in the reservoir drops.

NOTE: Do not allow the sanitizer/water level to drop below the minimum water level. The ice machine will discontinue the cleaning cycle if the water float switch opens.

Step 16 After all of the sanitizer/water solution has been added to the reservoir, turn on the ice making water supply.

Step 17 Continue the freeze cycle for 30 minutes and then discard all ice produced.

Procedure to Clean Heavily Scaled Flake Ice Machines

Step 1 Remove front and top covers and set the toggle switch to the OFF position.

Step 2 Remove all ice from the bin.

Step 3 Turn off the ice making water supply.

Step 4 Remove the top cover from water reservoir.

Step 5 Refer to chart below:

Premix cleaner with lukewarm water in a non-metallic container.

Model	Water Reservoir Capacity	Mix Cleaner and Water Use ice machine nickel safe cleaner, part number 00000084 only	
		Cleaner	Water
RF0244 RF0266 RF0385 RF0388 RF0399 RF0644	14 oz (400 ml)	9 oz (266 ml)	5 oz (148 ml)
RFS0300 RFS0650	17 oz (500 ml)	11 oz (325 ml)	6 oz (177 ml)
RF1200	34 oz (1 L)	23 oz (680 ml)	11 oz (325 ml)
RF2300	68 oz (2 L)	46 oz (1.3 L)	22 oz (650 ml)

Step 6 Remove all water from the evaporator and water reservoir. Add the entire cleaner/water solution and re-install the reservoir cover.

Leave the cleaner/water solution in the evaporator for a minimum of 4 hours.

Step 7 Remove all cleaner/water from the evaporator and water reservoir.

Step 8 Follow the standard cleaning and sanitizing procedures.

Removal of Parts for Cleaning/Sanitizing

Warning

Disconnect electric power to the ice machine at the electric switch box and wear rubber gloves and safety goggles (or face shield) while handling cleaner or sanitizer.

Caution

Do not mix Cleaner and Sanitizer solutions together. It is a violation of Federal law to use these solutions in a manner inconsistent with their labeling.

1. Turn off the water supply to the ice machine at the water service valve.
2. Remove the components listed on the following pages for cleaning and sanitizing.
3. Soak the removed part(s) in a properly mixed solution of cleaner and water.

Solution Type	Water	Mixed With
Cleaner	1 gal. (4 L)	16 oz (500 ml) cleaner Part Number 000000084

4. Use a soft-bristle brush or sponge (NOT a wire brush) to carefully clean the parts.
5. Use the solution and a brush or sponge to clean all disassembled components and the inside of the bin.
6. Rinse all cleaned parts with clear water.
7. Mix a solution of sanitizer and water.

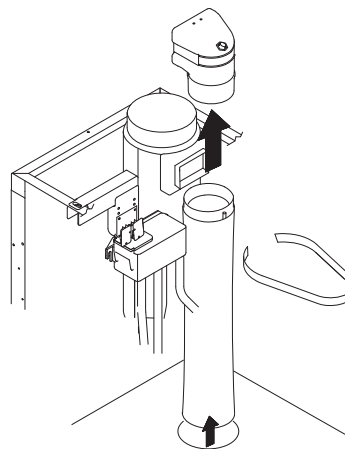
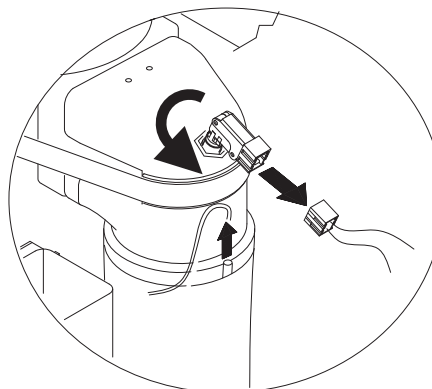
Solution Type	Water	Mixed With
Sanitizer	3 gal. (11 L)	2 oz (60 ml) sanitizer Part Number 94-0565-3

8. Soak the parts in the sanitizer/water solution for 10 minutes. Use the sanitizer/water solution and a sponge to sanitize all removed components and the inside of the bin. Do not rinse the sanitized parts.
9. Continue with step 11 of the cleaning/sanitizing procedure.

ICE CHUTE REMOVAL

RFS0300/RFS0650/RF1200/RF2300 Only

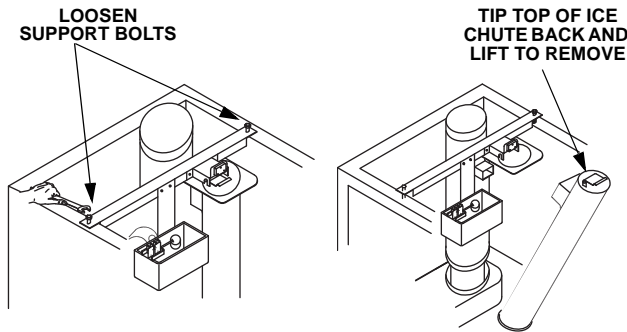
1. Place the toggle switch in the OFF position, turn off the water supply and disconnect electrical power to the ice machine.
2. Disconnect water supply.
3. Remove water reservoir cover.
4. Remove microswitch and bin thermostat from the ice chute.
5. Remove retainer, ice chute elbow and ice chute.



ICE CHUTE REMOVAL

RFS0300/RFS0650/RF1200/RF2300 Only

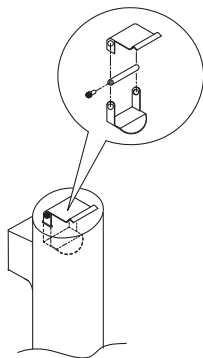
1. Place the toggle switch in the OFF position, turn off the water supply and disconnect electrical power to the ice machine.
2. Disconnect water supply.
3. Remove water reservoir cover.
4. Remove bin thermostat from ice chute.
5. Loosen bolts holding cross member.
6. Lift cross member and remove ice chute.



ICE CHUTE SWITCH ACTUATOR REMOVAL

RFS0300/RFS0650/RF1200/RF2300 Only

1. Pull to remove nylon end cap.
2. Slide pin to remove.
3. Remove both sections of the pressure switch bracket.



INCORRECT REASSEMBLY CAN RESULT IN AN ICE MACHINE THAT WILL NOT RUN

Air-Cooled Condenser Cleaning

Warning

Disconnect electric power to the ice machine and the remote condenser at the electric service switch before cleaning the condenser.

A dirty condenser restricts airflow, resulting in excessively high operating temperatures and reduced ice production. Clean the condenser at least every six months.

Caution

The condenser fins are sharp. Use care when cleaning them.

1. Clean the outside of the condenser with a soft brush or a vacuum with a brush attachment. Shine a flashlight through the condenser to check for dirt between the fins. If dirt remains, a method suitable to remove the contamination must be used to ensure air flow.
2. RFS0300/RFS0650/RF1200/RF2300 Only. Clean the washable filter with a mild soap and water solution.

Arctic Pure Water Filter System

Engineered specifically for Manitowoc ice machines. This water filter is an efficient, dependable, and affordable method of inhibiting scale formation, filtering sediment, and removing chlorine taste and odor.

Manitowoc Cleaner and Sanitizer

Manitowoc Ice Machine Nickel Safe Cleaner is available in convenient 16 oz. (473 ml) bottles. Manitowoc Ice Machine Sanitizer is available in 16 oz. (473 ml) and 1 gal (3.78 L) bottles.

Cleaner Part Number		Sanitizer Part Number	
16 oz.	000000084	16 oz.	94-0565-3
		1 Gallon	94-0581-3

Section 5

Customer Support

Checklist

If a problem arises during operation of your ice machine, follow the checklist below before calling service. Routine adjustments and maintenance procedures are not covered by the warranty.

Problem	Possible Cause	To Correct
Ice machine does not operate.	No electrical power to the ice machine and/or condensing unit.	Replace the fuse/reset the breaker/turn on the main switch.
	High pressure cutout tripping.	Clean condenser coil. (See Section 4)
	Power switch set improperly.	Move the switch to the ON position.
	Bin Thermostat Open or Ice touching thermostat probe.	Adjust thermostat or remove ice
	No water in reservoir	No water to ice machine, plugged filter, float valve defective
	Evaporator safety thermostat open	Adjust thermostat
	Ice chute switch open	Check for ice or binding and close switch
	Low air temperature around ice machine	Air temperature must be at least 35°F (2°C)
Gearmotor runs and no ice is produced	Time delay has not expired	Wait 10 minutes for time delay to expire
	High pressure cutout tripping	Clean condenser coil and reset
	Low pressure control open	Thaw evaporator and retest - Call for service

THIS PAGE INTENTIONALLY LEFT BLANK

Commercial Ice Machine Warranty

LIMITED WARRANTY

Manitowoc Ice a division of Manitowoc FSG Services, LLC, ("Company") warrants that new RF Flake Ice Machines sold by Company shall be free of defects in material or workmanship under normal and proper use and maintenance as specified by the Company and upon proper installation and start-up in accordance with the instruction manual supplied.

WHAT IS COVERED

- Parts for a period of three (3) years.
- Labor for a period of two (2) years.
- Compressor parts for five (5) years and labor for two (2) years.

The RF Flake Ice Machine warranty begins on the date of the original installation. This warranty shall not apply to any ice machine initially installed more than five (5) years from the serial number production date.

The obligation of the Company under this warranty is limited to the repair or replacement of parts, components, or assemblies that in the sole opinion of the Company are defective. This warranty is further limited to the cost of parts, components or assemblies and standard straight time labor charges (excluding the compressor warranty) at the servicing location.

Time and hourly rate schedules, as published from time to time by the Company, apply to all service procedures. Additional expenses including without limitation, travel time, overtime premium, material cost, accessing or removal of the RF Flake Ice Machine, or shipping are the responsibility of the purchaser, along with all maintenance, adjustments, cleaning, and ice purchases. Labor covered under this warranty must be performed by an approved Company contracted Service Representative or a refrigeration service agency as qualified and authorized by the Company's local Distributor. The Company's liability under this warranty shall in no event be greater than the actual purchase price paid by purchaser for the RF Flake Ice Machine.

EXCLUSIONS FROM COVERAGE

- Repair or replacement of parts required because of misuse, improper care or storage, negligence, alteration, use of incompatible supplies or lack of specified maintenance shall be excluded.
- Normal maintenance items.
- Failures caused by improper or erratic voltages, adverse environmental or water conditions, improper drainage, interruption in electrical or water supply.
- Improper or unauthorized repair.
- Any RF Flake Ice Machine that has been installed and/or maintained inconsistent with the instructions provided by the Company.

- Parts subject to damage beyond the control of Company, or to RF Flake Ice Machine's which have been subject to accidents, damage in shipment, fire, floods, other hazards or acts of God that are beyond the control of the Company.
- This Limited Warranty shall not apply if the RF Flake Ice Machine's refrigeration system is modified with a condenser, heat reclaim device, or parts and assemblies other than those manufactured by the Company, unless the Company approves these modifications for specific locations in writing prior to the commencement of such modification.

LIMITATIONS OF LIABILITY

The preceding paragraphs set forth the exclusive remedy for all claims based on failure of, or defect in, RF Flake Ice Machines sold hereunder, whether the failure or defect arises before or during the warranty period, and whether a claim, however instituted, is based on contract, indemnity, warranty, tort (including negligence), strict liability, implied by statute, common-law or otherwise, and Company and agents shall not be liable for any claims for personal injuries or consequential damages or loss, howsoever caused. Upon the expiration of the warranty period, all such liability shall terminate. THE FOREGOING WARRANTIES ARE EXCLUSIVE AND IN LIEU OF ALL OTHER WARRANTIES, WHETHER WRITTEN, ORAL, IMPLIED OR STATUTORY NO IMPLIED WARRANTY OF MERCHANTABILITY OR FITNESS FOR PARTICULAR PURPOSE SHALL APPLY, COMPANY DOES NOT WARRANT ANY PRODUCTS OR SERVICES OF OTHERS

REMEDIES

The liability of Company for breach of any warranty obligation hereunder is limited to: (i) the repair or replacement of the RF Flake Ice Machine on which the liability is based, or with respect to services, re-performance of the services; or (ii) at Company's option, the refund of the amount paid for said equipment or services. Any breach by Company with respect to any item or unit of equipment or services shall be deemed a breach with respect to that item or unit or service only.

WARRANTY CLAIM PROCEDURE

Customer shall be responsible to:

- Complete and return warranty registration card or register on line within five (5) days from the installation date.
- All warranty service must be preformed by an approved Manitowoc contracted or authorized Service Representative.

GOVERNING LAW

This Limited Warranty shall be governed by the laws of the state of Wisconsin, USA, excluding their conflicts of law principles. The United Nations Convention on Contracts for the International Sale of Goods is hereby excluded in its entirety from application to this Limited Warranty.

To secure prompt and continuing warranty service, the warranty registration card must be completed and sent to the COMPANY within five (5) days from the installation date.

Complete the following and retain for your record:

Distributor/Dealer _____
 Model Number _____ Serial Number _____
 Installation Date _____

Residential Ice Machine Limited Warranty

WHAT DOES THIS LIMITED WARRANTY COVER?

Subject to the exclusions and limitations below, Manitowoc Foodservice ("Manitowoc") warrants to the original consumer that any new ice machine manufactured by Manitowoc (the "Product") shall be free of defects in material or workmanship for the warranty period outlined below under normal use and maintenance, and upon proper installation and start-up in accordance with the instruction manual supplied with the Product.

HOW LONG DOES THIS LIMITED WARRANTY LAST?

<u>Product Covered</u>	<u>Warranty Period</u>
Ice Machine	Twelve (12) months from the sale date

WHO IS COVERED BY THIS LIMITED WARRANTY?

This limited warranty only applies to the original consumer of the Product and is not transferable.

WHAT ARE MANITOWOC ICE'S OBLIGATIONS UNDER THIS LIMITED WARRANTY?

If a defect arises and Manitowoc receives a valid warranty claim prior to the expiration of the warranty period, Manitowoc shall, at its option: (1) repair the Product at Manitowoc's cost, including standard straight time labor charges, (2) replace the Product with one that is new or at least as functionally equivalent as the original, or (3) refund the purchase price for the Product. Replacement parts are warranted for 90 days or the balance of the original warranty period, whichever is longer. The foregoing constitutes Manitowoc's sole obligation and the consumer's exclusive remedy for any breach of this limited warranty. Manitowoc's liability under this limited warranty is limited to the purchase price of Product. Additional expenses including, without limitation, service travel time, overtime or premium labor charges, accessing or removing the Product, or shipping are the responsibility of the consumer.

HOW TO OBTAIN WARRANTY SERVICE

To obtain warranty service or information regarding your Product, please contact us at:

MANITOWOC FOODSERVICE
2110 So. 26th St.
P.O. Box 1720,
Manitowoc, WI 54221-1720
Telephone: 920-682-0161 Fax: 920-683-7585
www.manitowocice.com

WHAT IS NOT COVERED?

This limited warranty does not cover, and you are solely responsible for the costs of: (1) periodic or routine maintenance, (2) repair or replacement of the Product or parts due to normal wear and tear, (3) defects or damage to the Product or parts resulting from misuse, abuse, neglect, or accidents, (4) defects or damage to the Product or parts resulting from improper or unauthorized alterations, modifications, or changes; and (5) defects or damage to any Product that has not been installed and/or maintained in accordance with the instruction manual or technical instructions provided by Manitowoc. To the extent that warranty exclusions are not permitted under some state laws, these exclusions may not apply to you.

EXCEPT AS STATED IN THE FOLLOWING SENTENCE, THIS LIMITED WARRANTY IS THE SOLE AND EXCLUSIVE WARRANTY OF MANITOWOC WITH REGARD TO THE PRODUCT. ALL IMPLIED WARRANTIES ARE STRICTLY LIMITED TO THE DURATION OF THE LIMITED WARRANTY APPLICABLE TO THE PRODUCTS AS STATED ABOVE, INCLUDING BUT NOT LIMITED TO, ANY WARRANTY OF MERCHANTABILITY OR OF FITNESS FOR A PARTICULAR PURPOSE.

Some states do not allow limitations on how long an implied warranty lasts, so the above limitation may not apply to you.

IN NO EVENT SHALL MANITOWOC OR ANY OF ITS AFFILIATES BE LIABLE TO THE CONSUMER OR ANY OTHER PERSON FOR ANY INCIDENTAL, CONSEQUENTIAL OR SPECIAL DAMAGES OF ANY KIND (INCLUDING, WITHOUT LIMITATION, LOSS PROFITS, REVENUE OR BUSINESS) ARISING FROM OR IN ANY MANNER CONNECTED WITH THE PRODUCT, ANY BREACH OF THIS LIMITED WARRANTY, OR ANY OTHER CAUSE WHATSOEVER, WHETHER BASED ON CONTRACT, TORT OR ANY OTHER THEORY OF LIABILITY.

Some states do not allow the exclusion or limitation of incidental or consequential damages, so the above limitation or exclusion may not apply to you.

HOW STATE LAW APPLIES

This limited warranty gives you specific legal rights, and you may also have rights that vary from state to state or from one jurisdiction to another.

REGISTRATION CARD

To secure prompt and continuing warranty service, this warranty registration card must be completed and sent to Manitowoc within thirty (30) days from the sale date. Complete the following registration card and send it to Manitowoc.

Table des matières

Section 1 Généralités

Références des modèles	32
Integre	32
Modulaires	32

Section 2 Instructions d'installation

Emplacement de la machine à glaçons	33
Conditions d'espace requises	33
Conditions requises d'installation	33
RF2300 Installation de l'adaptateur de bac	33
Conditions requises en eau et évacuation	34
Conditions requises pour l'eau potable	34
Dimensionnement/Raccordement des conduites d'alimentation en eau et d'évacuation	34
Raccordements d'évacuation	35
Conditions électriques requises	35
Fusible/Disjoncteur	35
Différentiel	35
Installation du système de réfrigération	
Condenseur à distance uniquement	36
Installation des conduites de réfrigération	
Condenseur à distance uniquement	37
Généralités	37
A. Longueur des conduites	37
B. Montée ou descente de conduites	37
C. Siphons d'huile de conduite d'aspiration	38
Liste de vérification d'installation	41
Contrôles additionnels pour modèles QuietQube	42

Section 3 Fonctionnement

Thermostat de sécurité de basse température d'évaporateur et thermostat de bac	44
RF0244/RF0266/RF0385/ RF0388/RF0399 Fonctionnement	44
RFS0300 Fonctionnement	45
RFS0650/RF1200/RF2300 Fonctionnement	45

Section 4 Entretien

Nettoyage et désinfection intérieurs	46
Procédure de nettoyage et de désinfection	46
Procédure de nettoyage des machines fortement entartrées	46
Nettoyage extérieur	46
Procédure de nettoyage et de désinfection	46
Procédure de nettoyage des machines à glace en écailles fortement entartrées	47
Retrait des pièces pour le nettoyage/la désinfection	48
Dépose de la goulotte à glaçons	48

Table des matières (suite)

Dépose de l'actionneur d'interrupteur de goulotte à glaçons	49
Nettoyage du condenseur refroidi à l'air	49
Système de filtration d'eau Arctic Pure	49
Nettoyant et désinfectant Manitowoc	49

Section 5 Service clientèle

Liste de vérification	50
Garantie commerciale de la machine à glaçons	52
Garantie limitée résidentielle de la machine à glaçons	53

Section 1

Généralités

Références des modèles

Le présent manuel s'applique aux modèles suivants :

INTEGRE

Autonomes refroidis à l'air
RF0244A
RF0266A
RF0385A
RF0388A
RF0399A
RF0644A

MODULAIRES

Autonomes refroidis à l'air	Autonomes refroidis à l'eau	À distance	Tête QuietQube	Unité de condensation à distance RCU
RFS0300A	---	---	---	---
RFS0650A	RFS0650W	---	---	---
RF1200A	RF1200W	RF1279R	RF1278C	RCU1075
RF2300A	RF2300W	RF2379R	RF2378C	RCU2375



Avertissement

Retirer tous les panneaux de la machine à glaçons avant de la soulever ou l'installer.



Avertissement

RISQUE DE BLESSURES CORPORELLES

Ne pas utiliser un équipement qui aura été mal utilisé, abusé, négligé, endommagé ou dont les spécifications originales de fabrication auront été altérées/modifiées.

Le présent appareil ne doit pas être utilisé par des personnes (enfants y compris) ayant des capacités physiques, sensorielles ou mentales diminuées, ou ayant un manque d'expérience et de connaissance, à moins que celles-ci n'aient reçu une formation sur l'utilisation de l'appareil par une personne responsable de leur sécurité.

RF2300 Installation de l'adaptateur de bac

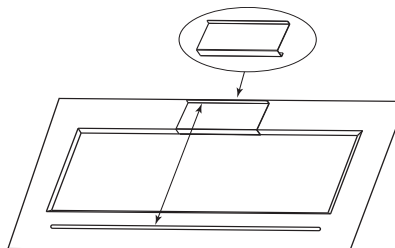


Avertissement

RISQUE DE BLESSURES CORPORELLES

Les machines à glaçons RF2300 ne sont pas approuvées pour être utilisées avec les bacs B970. Les machines à glaçons RF2300 sont expédiées avec un support qui doit être utilisé lors de l'installation sur les bacs de Série B1100 et B1400.

1. Consulter le schéma. Placer le support sur le dessus du bac et le faire glisser en arrière pour l'enclencher.
2. Placer la machine à glaçons sur le bac : la machine à glaçons doit rentrer entre le support et la nervure avant.



Section 2

Instructions d'installation

Emplacement de la machine à glaçons

Le choix de l'emplacement pour la machine à glaçons doit respecter les critères suivants. Si l'un de ces critères n'est pas respecté, choisir un autre emplacement.

- L'emplacement doit être exempt d'agents aéroportés et de toute autre substance contaminante.
- La température de l'air doit être au moins de 10 °C (50 °F) sans toutefois excéder 43 °C (110 °F).
- La température de l'eau doit être au moins de 4 °C (40 °F) sans toutefois excéder 32 °C (90 °F).
- L'emplacement ne doit pas se trouver à proximité d'appareils générateurs de chaleur ou à la lumière directe du soleil.
- L'emplacement doit pouvoir supporter le poids de la machine à glaçons et un bac plein de glaçons.
- L'emplacement doit prévoir suffisamment de dégagement pour les prises d'eau, raccordements de vidange et raccordements électriques à l'arrière de la machine à glaçons.
- L'emplacement ne doit pas obstruer l'écoulement d'air dans la machine ou autour de celle-ci.

Conditions requises d'installation

- La machine à glaçons et le bac doivent être nivelés.
- Ventiler les lignes d'évacuation de la machine à glaçons et du bac séparément.
- Le raccordement de la ligne d'évacuation du bac doit comporter un espace d'air.
- Un dispositif anti-refoulement est exigé sur les conduites d'arrivée d'eau.
- La machine à glaçons et le bac doivent être aseptisés après l'installation.
- En fonction des conditions d'eau locales, il peut s'avérer nécessaire de traiter l'eau pour empêcher la formation de tartre, filtrer les sédiments et éliminer le goût et l'odeur du chlore.
- Les réglages de routine et les procédures de maintenance périodique indiqués dans ce manuel ne sont pas couverts par la garantie.

CONDITIONS D'ESPACE REQUISES

RF0244/RF0266 RF0385/RF0388 RF0399/RF0644	Refroidissement à l'air	Refroidissement à l'eau
Haut	0 cm (0")	0 cm (0")
Côtés	5 cm (2")	5 cm (2")
Arrière	20 cm (8")	20 cm (8")

REMARQUE : Prévoir un espace pour le retrait de la machine à glaçons lorsqu'elle est encastrée. Il faut déposer le panneau supérieur une fois par mois pour le nettoyage et la désinfection.

RFS0300/RFS0650 RF1200/RF2300	Refroidissement à l'air	Refroidissement à l'eau
Haut/Côtés	20 cm (8")	20 cm (8")
Arrière	13 cm (5")	13 cm (5")

Machine à glaçons Chaleur de rejet

Series Machine à glaçons	Chaleur de rejet
RF1279R	7850
RF2379R	15700

B.T.U./Heure

Étant donné que le rejet de chaleur varie en fonction du cycle de fabrication de glaçons, le chiffre indiqué n'est qu'une moyenne.

Les machines à glaçons, tout comme tout autre équipement de réfrigération, rejettent la chaleur par le condenseur. Il est utile de connaître la quantité de chaleur rejetée par la machine à glaçons lors du dimensionnement du matériel de conditionnement d'air où sont installées les machines à glaçons autonomes refroidies par l'air.

Cette information est également nécessaire pour évaluer les avantages d'utiliser des condenseurs refroidis par eau ou à distance afin de réduire les charges de conditionnement d'air. La quantité de chaleur ajoutée à un environnement climatisé par une machine à glaçons utilisant un condenseur refroidi par eau ou à distance est négligeable.

Connaître la quantité de chaleur rejetée est également important lors du dimensionnement d'une tour de refroidissement pour un condenseur refroidi par eau. Utiliser le chiffre de crête pour dimensionner la tour de refroidissement.

Conditions requises en eau et évacuation

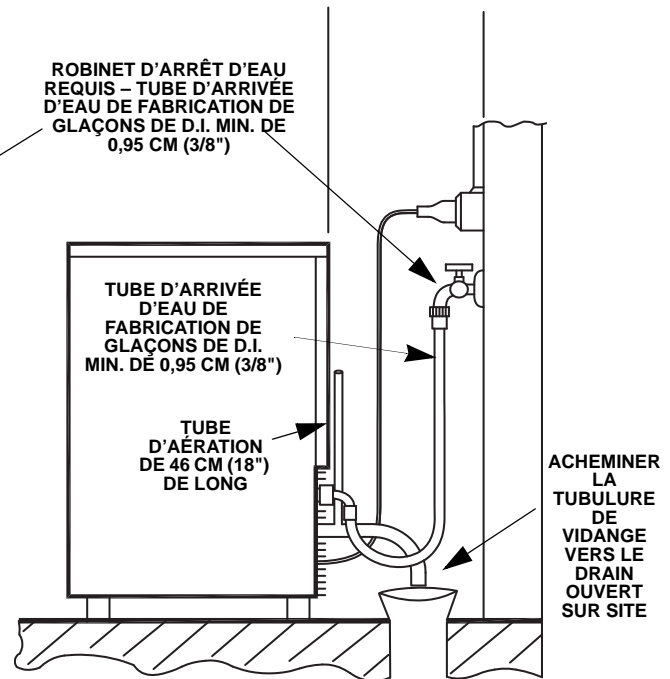
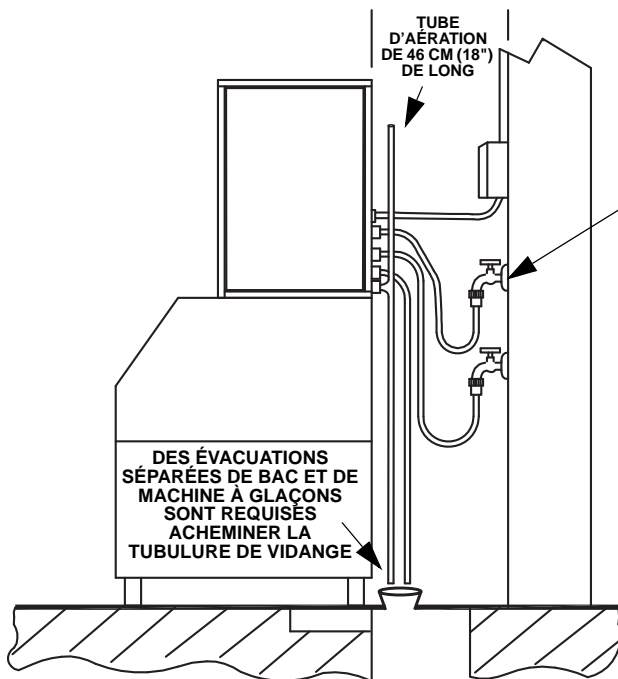
CONDITIONS REQUISES POUR L'EAU POTABLE

Suivre ces directives pour l'installation des lignes d'arrivée d'eau :

- Ne pas raccorder la machine à glaçons à une alimentation en eau chaude. S'assurer que tous les restricteurs d'eau chaude installés pour les autres appareils fonctionnent (clapets de non-retour sur robinets d'éviers, lave-vaisselle, etc.)
- Si la pression de l'eau dépasse la pression maximale recommandée de 552 kPa (80 psig), se procurer un régulateur de pression d'eau auprès d'un distributeur Manitowoc.
- Installer un robinet d'arrêt de l'eau et un raccord pour les lignes d'eau de fabrication de glaçons et d'eau du condenseur.
- Isoler les lignes d'arrivée d'eau pour éviter les problèmes de condensation.
- La tuyauterie doit être conforme aux codes locaux.

DIMENSIONNEMENT/RACCORDEMENT DES CONDUITES D'ALIMENTATION EN EAU ET D'ÉVACUATION

Emplacement	Temp. de l'eau Mini/Maxi	Pression d'eau Mini/Maxi	Taille de raccord/tubulure minimum
Arrivée d'eau potable	4 à 32 °C (40 à 90 °F)	100/552 kPa (14/80 psi)	3/8" FPT
Arrivée d'eau de potable	4 à 32 °C (40 à 90 °F)	138/1034 kPa (20/150 psi)	1/2" MPT
Évacuation d'eau du condenseur	---	---	3/8" FPT RF2300 only = 1/2" FPT
Évacuation d'eau du condenseur	---	---	1/2" MPT
Évacuation de bac	---	---	3/4" FPT
Évacuation de bac grande capacité		---	1" FPT



Installation d'évacuation d'alimentation en eau type

RF1200R/RF2300R Installation de conduites

Conduite de refoulement	Conduite de liquide
1.6 cm (5/8 po)	0,95 cm (3/8 po)

RACCORDEMENTS D'ÉVACUATION

Suivre ces directives lors de l'installation des conduites d'évacuation pour empêcher l'eau de retourner s'écouler dans la machine à glaçons et dans le bac de stockage :

- Les lignes d'évacuation doivent avoir une inclinaison de 2,5 cm par mètre (1,5 pouce par 5 pieds) et ne doivent pas créer de siphons.
- Le siphon de sol doit être suffisamment grand pour recevoir l'eau provenant de toutes les évacuations.
- Faire fonctionner séparément les lignes d'évacuation du bac et du condenseur refroidi à l'eau. Les isoler pour prévenir la condensation.
- Ventiler le bac et la ligne d'évacuation de la machine à glaçons dans l'atmosphère. L'évacuation de la machine à glaçons requiert une ventilation de 46 cm (18 po). Ne pas ventiler l'évacuation du condenseur sur les modèles refroidis par eau.
- Les évacuations doivent être équipées d'un raccordement ou de tout autre moyen adapté permettant de déconnecter la machine à glaçons pour des raisons de maintenance.

Conditions électriques requises

Machine à glaçons	Tension/ Phase/ Cycle	Refroidissement à l'air			Refroidissement à l'eau		QuietQube	
		Fusible/ Disjoncteur maximum	Intensité minimale du circuit	Intensité totale du circuit	Fusible/ Disjoncteur maximum	Intensité minimale du circuit	Fusible/ Disjoncteur maximum	Intensité totale du circuit
RF0244	115/1/60	15 A	S/O	7,5	S/O	S/O	S/O	S/O
	230/1/50	10 A	S/O	0,87	S/O	S/O	S/O	S/O
RF0266	115/1/60	15 A	S/O	7,5	S/O	S/O	S/O	S/O
	230/1/50	10 A	S/O	0,87	S/O	S/O	S/O	S/O
RF0385	115/1/60	15 A	S/O	10,0	S/O	S/O	S/O	S/O
	230/1/50	S/O	S/O	S/O	S/O	S/O	S/O	S/O
RF0388	115/1/60	15 A	S/O	10,0	S/O	S/O	S/O	S/O
	230/1/50	10 A	S/O	2,9	S/O	S/O	S/O	S/O
RF0399	115/1/60	15 A	S/O	10,0	S/O	S/O	S/O	S/O
	230/1/50	10 A	S/O	2,9	S/O	S/O	S/O	S/O
RF0644	115/1/60	25 A	S/O	S/O	S/O	S/O	S/O	S/O
RFS0300	115/1/60	20 A	12,8	S/O	S/O	S/O	S/O	S/O
RFS0650	115/60/1	25 A	16,3	S/O	25 A	15,4	S/O	S/O
	208-230/1/60	15 A	8,7	S/O	15 A	8,2	S/O	S/O
RF1200	208-230/1/60	15 A	15,0	S/O	15 A	15,0	15 A	1,4
	230/1/50	16 A	7,3	S/O	16 A	7,3	10 A	1,4
RF2300	208-230/3/60	20 A	15,0	S/O	20 A	15,0	15 A	3,2
	400-415/3/50	16 A	13,9	S/O	16 A	13,9	10 A	3,2
RF1200R	208-230/1/60	15 A	1,4	S/O	S/O	S/O	S/O	S/O
RF2300R	208-230/1/60	15 A	3,2	S/O	S/O	S/O	S/O	S/O

La variation de tension admissible maximale à la mise en marche du compresseur est de $\pm 10\%$ de la tension indiquée ci-dessus et sur la plaque de référence/numéro de série.

FUSIBLE/DISJONCTEUR

Un circuit spécialisé et un fusible/disjoncteur séparé sont requis pour chaque machine à glaçons.



Avertissement

La machine à glaçons doit être mise à la terre conformément aux codes de l'électricité nationaux et locaux.

DIFFÉRENTIEL

Nous ne recommandons pas l'emploi d'une protection de circuit GFCI/GFI avec notre équipement. Si un GFCI/GFI est exigé par le code, utiliser un disjoncteur GFCI/GFI plutôt qu'une prise qui est plus encline à des défaillances parasites intermittentes que des disjoncteurs de panneau.

Royaume-Uni uniquement

Étant donné que les couleurs de câbles du réseau principal de l'appareil risquent de ne pas correspondre aux marquages en couleur identifiant les bornes de la prise, procéder comme suit :

- Le câble de couleurs vert et jaune doit être raccordé à la borne de prise marquée de la lettre E ou du symbole de terre vert ou de couleur verte ou vert et jaune.
- Le câble de couleur bleue doit être raccordé à la borne marquée de la lettre N ou de couleur noire.
- Le câble de couleur marron doit être raccordé à la borne marquée de la lettre L ou de couleur rouge.

Installation du système de réfrigération Condenseur à distance uniquement

Machine à glaçons QuietQube®	Condenseur à distance	Conduites*
RF1200C RF2300C	RCU1075C RCU2375C	RC-21 RC-31 RC-51

*Conduites	Conduite d'aspiration	Conduite de liquide
RC 21/31/51	15,9 mm (5/8 po)	9,5 mm (3/8 po)

Important

Les systèmes à distance Manitowoc ne sont approuvés et garantie qu'en tant qu'ensemble neuf complet. La garantie du système de réfrigération sera nulle si une nouvelle partie principale de machine à glaçons est raccordée à une tubulure ou à des unités de condensation préexistantes (usagées) ou vice versa.

EMPLOI AVEC DES UNITÉS DE CONDENSATION DE MARQUE AUTRE QUE MANITOWOC

Les unités de condensation à distance Manitowoc sont spécifiquement conçues pour être utilisées avec une partie principale de machine à glaçons QuietQube®. Les unités de condensation standard et les unités de condensation de marque autre que Manitowoc ne sont pas approuvées pour être utilisées avec une partie principale de machine à glaçons QuietQube®.

Caution

La garantie de 60 mois du compresseur (y compris la garantie de remplacement de main d'œuvre de 24 mois) ne s'appliquera pas si la machine à glaçons Manitowoc et le condenseur à distance Manitowoc ne sont pas installés conformément aux spécifications. La présente garantie ne s'applique pas non plus si le système de réfrigération est modifié par un condenseur, un récupérateur de chaleur ou d'autres pièces ou ensembles non fabriqués par Manitowoc Ice.

Montants frigorifiques de l'équipement en usine

PARTIE PRINCIPALE DE LA MACHINE À GLAÇONS

Chaque condenseur de machine à glaçons est expédié de l'usine avec une charge en liquide frigorigène R-404A adéquate pour le fonctionnement du système entier. L'étiquette de série figurant sur la machine à glaçons indique la charge en liquide frigorigène. La charge en liquide frigorigène est suffisante pour faire fonctionner la machine à glaçons dans des températures ambiantes situées entre -28,9 °C (-20 °F) et 48,9 °C (120 °F), avec des longueurs de conduites allant jusqu'à 30,5 m (100 pieds).



Avertissement Situation comportant un risque de blessure corporelle

Le condenseur QuietQube contient la charge en liquide frigorigène. L'installation et le brasage des conduites doivent être effectués par un technicien qualifié et certifié dans le secteur de la réfrigération par l'EPA, et qui soit informé des **dangers que comportent les équipements chargés de liquide frigorigène**.



Caution

Ne jamais ajouter plus que la charge de plaque signalétique dans le système de réfrigération pour toute application quelle qu'elle soit.

CONDUITES DE RÉFRIGÉRATION/KIT DE SIPHONS

Les conduites de qualité réfrigération et les kits de siphons sont expédiés bouchés à la pression atmosphérique.



Avertissement

L'installation d'un condenseur QuietQube® peut nécessiter l'utilisation d'un équipement spécial pour son placement. Un personnel formé et qualifié est exigé pour des opérations de levage et de manœuvre appropriées.

Installation des conduites de réfrigération Condenseur à distance uniquement

GÉNÉRALITÉS

Les installations de conduites de réfrigération comportent des conduites verticales et horizontales entre la machine à glaçons et le condenseur. Les directives, schémas et méthodes de calcul suivants doivent être respectés pour assurer un retour d'huile et un fonctionnement de la machine à glaçons/unité de condensation à distance appropriés.

L'installateur des conduites de réfrigération doit être certifié par l'Agence pour la protection de l'environnement [Environmental Protection Agency] (EPA) du gouvernement des États-Unis dans les procédures appropriées de manipulation de liquide frigorigène et d'entretien.

Avertissement

Le condenseur QuietQube contient la charge en liquide frigorigène. Les deux robinets de réfrigération **doivent rester fermés** jusqu'à l'installation appropriée complète des conduites.

Avertissement

Débrancher l'alimentation électrique à la partie principale de la machine à glaçons et au condenseur à distance avant de continuer.

Étape 1: Vérifier que les emplacements de la machine à glaçons et du condenseur sont conformes aux directives

Avant l'installation de la partie principale de la machine à glaçons et du condenseur à distance, s'assurer que la distance les écartant est conforme aux directives d'acheminement des conduites décrites dans le présent manuel.

Pénétration toiture/mur

Si besoin est, couper un trou circulaire de 76,2 mm (3 po) dans le mur ou le toit pour l'acheminement des tuyaux de réfrigération. Une personne qualifiée doit effectuer toutes les pénétrations de toit.

Étape 2: Acheminement des tuyaux de réfrigération

Acheminer correctement les tuyaux de réfrigération entre la partie principale de la machine à glaçons et le condenseur à distance.

A. LONGUEUR DES CONDUITES

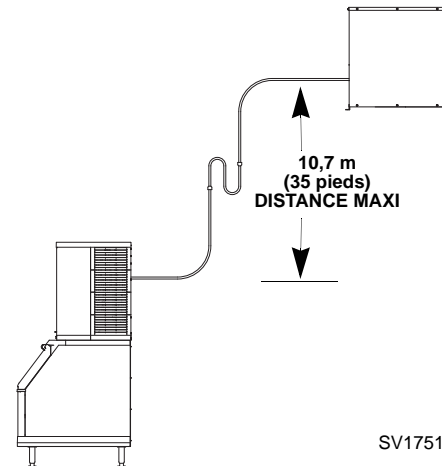
30,5 m (100 pieds) Longueur : la longueur mesurée maximum possible des conduites.

Le récepteur est conçu pour contenir une charge suffisante pour faire fonctionner la machine à glaçons dans des températures ambiantes situées entre -28,9 °C (-20 °F) et 48,9 °C (120 °F), avec des longueurs de conduites allant jusqu'à 30,5 m (100 pieds). La longueur maximum de conduites pouvant être exposée sur le toit est égale à 25 % de la longueur totale des conduites.

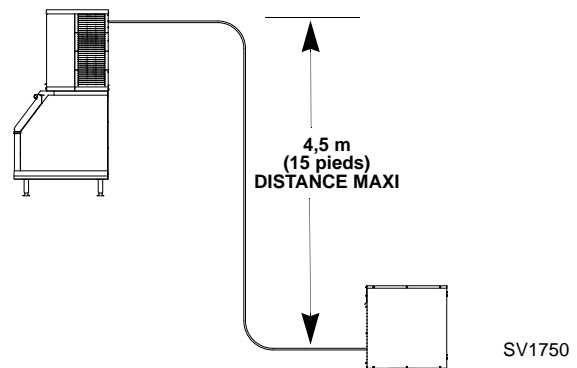
Important

Les machines à glaçons QuietQube® ne fonctionneront pas avec des conduites supérieures à 30,5 m (100 pieds). Ne pas tenter d'aller au-delà de cette distance et d'ajouter une charge liquide frigorigène pour compenser !

B. MONTÉE OU DESCENTE DE CONDUITES



Montée de 10,7 m (35 pieds) : distance maximum à laquelle le condenseur à distance peut se trouver au-dessus de la machine à glaçons.



Descente de 4,5 m (15 pieds) : distance maximum à laquelle le condenseur à distance peut se trouver au-dessus de la machine à glaçons.

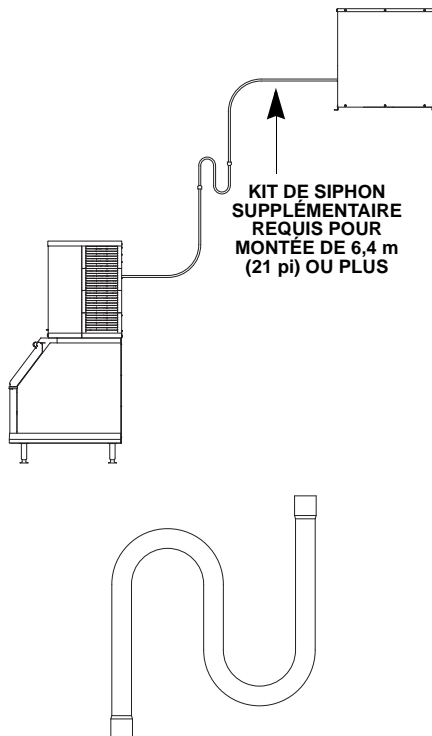
C. SIPHONS D'HUILE DE CONDUITE D'ASPIRATION

Caution

Ne pas former de siphons indésirables dans les conduites de réfrigération. Ne jamais embobiner les tubulures de réfrigération en excès.

Montée de 0 à 6,1 m (0 à 20 pieds) : Aucun siphon d'huile n'est requis lorsque le condenseur se trouve à 6,1 m (20 pieds) ou moins au-dessus de la partie principale de la machine à glaçons.

Montée de 6,4 à 10,7 m (21 à 35 pieds) : La conduite d'aspiration nécessite l'installation d'un siphon d'huile (type S) supplémentaire. Installer le siphon aussi près que possible du point milieu entre la partie principale de la machine à glaçons et le condenseur à distance. Les kits de siphons en S sont disponibles auprès de Manitowoc.



Boucle de service

Une boucle de service dans les conduites permet un accès aisé à la machine à glaçons pour le nettoyage et l'entretien.

- Une boucle de service n'est pas considérée comme étant un siphon d'huile.
- La boucle de service n'est pas incluse lors du calcul de la longueur, de la montée ou de la descente des conduites.
- Ne pas utiliser de cuivre rigide pour la boucle de service.

Caution

Si une conduite a une montée suivie par une descente, une autre montée ne peut être effectuée. De même, si une conduite a une descente suivie par une montée, une autre descente ne peut être effectuée.

Étape 3: Allongement ou diminution des longueurs de conduites

Caution

Ne pas former de siphons indésirables dans les conduites de réfrigération. Ne jamais embobiner les tubulures de réfrigération en excès.

Lorsqu'il faut raccourcir ou rallonger les conduites, le faire avant de raccorder les conduites à la partie principale de la machine à glaçons ou au condenseur à distance.

Étape 4: Raccordement des conduites

Pour prévenir toute oxydation du cuivre, purger les conduites et le condenseur avec de l'azote sec lors du brasage.

A. Connecter les conduites au condenseur à distance

⚠ Avertissement

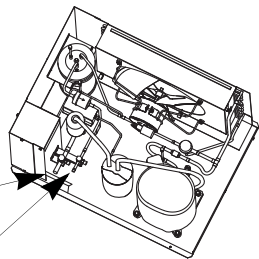
Le condenseur QuietQube contient la charge en liquide frigorigène. Les deux robinets de réfrigération **doivent rester fermés** jusqu'à l'installation appropriée complète des conduites.

Les robinets d'arrêt des conduites doivent rester fermés et être protégés de la chaleur pendant le processus de brasage. Enrober les robinets d'un chiffon mouillé ou tout autre type de dissipateur thermique avant le brasage. Refroidir le joint brasé à l'eau immédiatement après le brasage pour prévenir toute migration de chaleur vers le robinet.

MINIMISER LE TEMPS D'EXPOSITION DU SYSTÈME DE RÉFRIGÉRATION À L'ATMOSPHÈRE (15 MINUTES MAXIMUM)

CONDUITE D'ASPIRATION

CONDUITE DE LIQUIDE



B. Connecter les conduites à la partie principale de la machine à glaçons

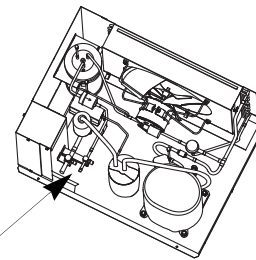
⚠ Avertissement

La partie principale de la machine à glaçons est expédiée de l'usine pressurisée avec du liquide frigorigène R404A. Récupérer le liquide frigorigène des orifices d'accès des conduites d'aspiration et de liquide avant de couper les conduites de réfrigération.

- Couper les conduites d'aspiration et de liquide à l'aide d'un coupe-tube, tout en laissant suffisamment de tubulure pour facilement braser.
- Raccorder les conduites.
- Refroidir le joint brasé à l'eau immédiatement après le brasage pour prévenir toute migration de chaleur.

Étape 5: Essais de pression et évacuation des conduites et de la partie principale de la machine à glaçons

- Les robinets d'arrêt des conduites d'aspiration et de liquide doivent rester fermés jusqu'à la fin des essais de pression et de l'évacuation.
- Les essais de pression et l'évacuation peuvent être effectués à partir des robinets d'arrêt de la partie principale de la machine à glaçons ou du condenseur CVD.
- Il est recommandé d'utiliser des outils permettant de retirer et d'installer les cartouches des robinets Schrader sans retirer les tuyaux des manomètres pour diminuer la durée de l'évacuation.
- Effectuer un essai de pression à 1 000 kPa (150 psi) pendant 15 minutes minimum.
- Le niveau minimum d'évacuation est de 500 microns.



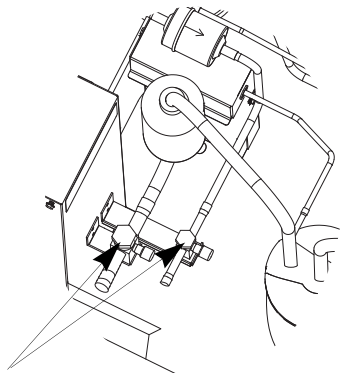
Les robinets d'arrêt des conduites d'aspiration et de liquide doivent rester fermés jusqu'à la fin des essais de pression et de l'évacuation.

Étape 6: Vérification de fuites dans le système de réfrigération

Vérifier l'absence de fuites dans les raccordements de conduites au niveau de la partie principale de la machine à glaçons, du condenseur et du siphon en S ainsi qu'au niveau de tous les joints d'usine dans tout le système. Couper l'alimentation au condenseur à distance. Mettre l'interrupteur basculant en position ON. Ceci permet l'équilibrage des pressions hautes et basses pour faciliter le contrôle de fuites. Mettre l'interrupteur basculant en position OFF. Connecter l'alimentation au condenseur à distance et laisser le système s'évacuer une fois le contrôle de fuites terminé.

Étape 7: Ouvrir les robinets avant de mettre la machine à glaçons en marche

- A. Mettre lentement le robinet d'arrêt de la conduite d'aspiration sur siège arrière (ouvrir-tourner dans le sens contraire des aiguilles d'une montre).
- B. Mettre lentement le robinet d'arrêt de la conduite de liquide sur siège arrière (ouvrir-tourner dans le sens contraire des aiguilles d'une montre).



Ouvrir les robinets d'arrêt des conduites d'aspiration et de liquide

Ouvrir les robinets

Important

Tous les chapeaux de valves de réfrigération doivent être réinstallés pour prévenir toute fuite future de réfrigération.

Vérifier que les joints toriques dans les chapeaux de valves Schrader sont intacts et remonter les robinets d'arrêt pour prévenir toute fuite de liquide frigorigène. Remettre les bouchons d'accès aux robinets d'arrêt et serrer aux spécifications suivantes.

Valeurs de couple de serrage

Tige	24,4-27,1 Nm (18-20 pi. lb.)
Bouchons	16,3-20,3 Nm (12-15 pi. lb.)
Noyau Schrader	0,17-0,34 Nm (1,5-3 pi. lb.)

Étape 8: Exigences d'isolation

Pour éviter la condensation, l'ensemble de la conduite d'aspiration doit être isolé. Toute l'isolation doit être étanche à l'air et scellée aux deux extrémités.

Les exigences d'isolation suivantes permettent d'éviter la condensation à une température ambiante de 32,2 °C (90 °F) avec 90 % d'humidité relative. En cas d'humidité plus importante, augmenter l'épaisseur de l'isolation.

L'ensemble des conduites d'aspiration requiert :

Conduite d'aspiration	Conduite de liquide	Épaisseur minimale de l'isolation
16 mm (5/8 po)	10 mm (3/8 po)	Conduite d'aspiration 13 mm (1/2 po) Conduite de liquide 7 mm (1/4 po)

Important

Pour éviter la condensation, l'ensemble de la conduite d'aspiration doit être isolé. Toute l'isolation doit être étanche à l'air et scellée aux deux extrémités.

Les exigences minimum renvoient à des conditions à ou sous 90 % d'humidité et 32 °C (90 °F) de température ambiante. En cas d'humidité plus importante ou si le code local l'exige, augmenter l'épaisseur de l'isolation.

Liste de vérification d'installation

Toutes les machines à glaçons Manitowoc sont mises en route et ajustées en usine avant l'expédition. Les réglages et les procédures de maintenance indiqués dans ce manuel sont la responsabilité du propriétaire/de l'opérateur et ne sont pas couverts par la garantie.

- | | | | |
|--------------------------|---|--------------------------|---|
| <input type="checkbox"/> | La machine à glaçons est-elle à niveau ? | <input type="checkbox"/> | Y a-t-il une évacuation séparée pour le condenseur refroidi par eau ? |
| <input type="checkbox"/> | La machine à glace et l'adaptateur (le cas échéant) sont-ils fixés sur le distributeur ? | <input type="checkbox"/> | Y a-t-il une évacuation séparée pour le distributeur ? |
| <input type="checkbox"/> | Tous les raccordements électriques et d'eau ont-ils été effectués ? | <input type="checkbox"/> | L'eau de fabrication des glaçons est-elle allumée ? |
| <input type="checkbox"/> | La tension d'alimentation a-t-elle été testée et vérifiée par rapport à la valeur nominale indiquée sur la plaque signalétique ? | <input type="checkbox"/> | Tous les fils électriques sont-ils exempts de contact des lignes de réfrigération et de l'équipement mobile ? |
| <input type="checkbox"/> | Y a-t-il un espace approprié autour de la machine à glaçons pour la circulation d'air ? | <input type="checkbox"/> | Le propriétaire/l'opérateur ont-ils été informés de l'entretien et de l'utilisation du nettoyant et du désinfectant Manitowoc ? |
| <input type="checkbox"/> | La machine à glaçons est-elle mise à la terre et la polarité est-elle correcte ? | <input type="checkbox"/> | Le propriétaire/l'opérateur a-t-il rempli la carte de garantie ? |
| <input type="checkbox"/> | La machine à glaçons a-t-elle été installée là où des températures ambiantes resteront dans la fourchette de 14,4 à 37,8 °C (50 à 100 °F) ? | <input type="checkbox"/> | La machine à glaçons et le bac ont-ils été désinfectés ? |
| <input type="checkbox"/> | La machine à glaçons a-t-elle été installée là où la température d'eau entrante restera dans la fourchette de 14,4 à 32,2 °C (50 à 90 °F) ? | <input type="checkbox"/> | L'interrupteur basculant est-il en position ON ? |

Contrôles additionnels pour modèles QuietQube

- | | | | |
|--------------------------|---|--------------------------|---|
| <input type="checkbox"/> | Longueur, montée et descente de conduites conformes aux directives ? | <input type="checkbox"/> | Le condenseur/groupe condenseur a-t-il été installé de manière à prévenir tout dommage de la toiture ? |
| <input type="checkbox"/> | Les robinets d'arrêt des conduites d'aspiration et de liquide sont-ils ouverts ? | <input type="checkbox"/> | Les conduites de réfrigération ont-elles été isolées et sécurisées correctement pour prévenir toute vibration ? |
| <input type="checkbox"/> | Les conduites sont-elles acheminées correctement ? | <input type="checkbox"/> | Le condenseur à distance RCU a-t-il été installé là où des températures ambiantes resteront dans la fourchette de -29 à -48,9 °C (-20 à 120 °F) ? |
| <input type="checkbox"/> | Les deux lignes de réfrigération vers le condenseur à distance sont-elles installées de manière à ce qu'elles ne reposent pas dans l'eau et qu'elles soient installées correctement ? | <input type="checkbox"/> | Un siphon d'huile de réfrigération (siphon en S) a-t-il été installé si le condenseur est installé entre 6 et 11 m (21 et 35 pieds) au-dessus de la partie principale de la machine à glaçons ? |
| <input type="checkbox"/> | Le ou les moteurs de ventilateur du condenseur à distance fonctionnent-ils correctement après la mise en marche ? | | |
| <input type="checkbox"/> | Tous les raccords et joints de réfrigération ont-ils été inspectés pour présence éventuelle de fuites ? | | |

Section 3

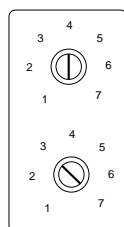
Fonctionnement

REMARQUE : Les machines à glace en écailles une tarière pour retirer la glace de l'évaporateur. Des bruits occasionnels (craquements, grognements, grincements ou bruits secs) sont normaux dans le cours de la fabrication de glaçons.

Thermostat de sécurité de basse température d'évaporateur et thermostat de bac

Le bulbe thermostatique de bac est situé dans la goulotte à glaçons ou le bac et allume et éteint la machine à glaçons au fur et à mesure que le niveau de glaçons dans la goulotte à glaçons ou le bac change.

Modèle	Réglage du thermostat de bac	Réglage du thermostat d'évaporateur
RF0244/RF0266	5	5
RF0388/RF0399/ RF0644	5	7
RFS0300	4	7
RFS0650	4	S/O
RF1200/RF2300	5	S/O



THERMOSTAT DE BAC
PETITS GLAÇONS = MOINS DE GLAÇONS
DANS LE BAC
GROS GLAÇONS = PLUS DE GLAÇONS
DANS LE BAC

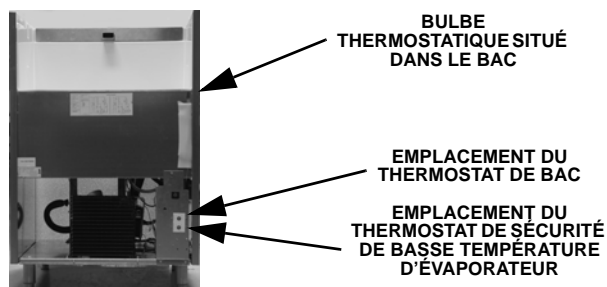
TEMPÉRATURE BASSE D'ÉVAPORATEUR
THERMOSTAT DE SÉCURITÉ
DE MAUVAIS RÉGLAGES PROVOQUERONT
L'ARRÊT DE LA MACHINE À GLAÇONS

RF0244/RF0266/RF0385/ RF0388/RF0399/RF0644 Fonctionnement

La machine à glaçons ne se mettra pas en marche avant ce qui suit :

- A. L'interrupteur basculant est mis en position ON.
- B. Les glaçons ne sont pas en contact avec le bulbe thermostatique du bac.
- C. Le réservoir d'eau est plein d'eau.

Mettre l'interrupteur à bascule en position ON fait démarrer le moteur à engrenages et le système de réfrigération. Le robinet à flotteur contrôle le robinet d'arrivée d'eau et le niveau d'eau. Le cycle de congélation se termine lorsque la glace entre en contact avec le thermostat du bac. La machine à glaçons se remettra en marche lorsque la glace n'est plus en contact avec le thermostat de bac.



BULBE
THERMOSTATIQUE SITUÉ
DANS LE BAC

EMPLACEMENT DU
THERMOSTAT DE BAC

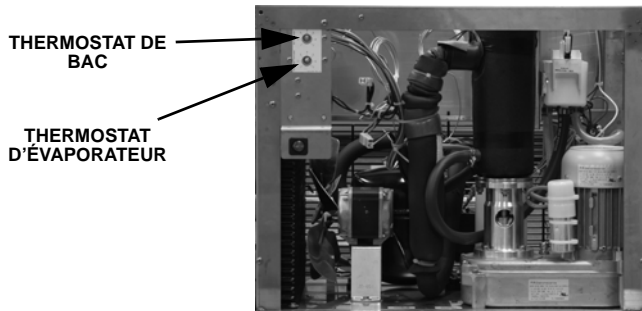
EMPLACEMENT DU
THERMOSTAT DE SÉCURITÉ
DE BASSE TEMPÉRATURE
D'ÉVAPORATEUR

RFS0300 Fonctionnement

La machine à glaçons ne se mettra pas en marche avant ce qui suit :

- A. L'interrupteur basculant est mis en position ON.
- B. Les glaçons ne sont pas en contact avec le bulbe thermostatique du bac.
- C. Le réservoir d'eau est plein d'eau.

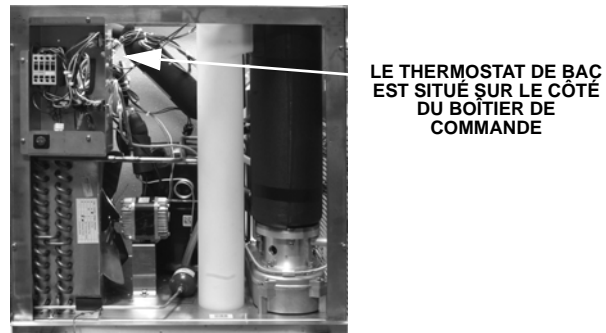
Mettre l'interrupteur à bascule en position ON fait démarrer le moteur à engrenages et un temporisateur de compresseur de 10 minutes. Le compresseur se met en marche et le robinet à flotteur contrôle le robinet d'arrivée d'eau et le niveau d'eau. Le cycle de congélation se termine lorsque la glace entre en contact avec le thermostat du bac. La machine à glaçons ne se remettra en marche que lorsque la glace n'est plus en contact avec le thermostat de bac.

**RFS0650/RF1200/RF2300 Fonctionnement**

La machine à glaçons ne se mettra pas en marche avant ce qui suit :

- A. L'interrupteur basculant est mis en position ON.
- B. Les glaçons ne sont pas en contact avec le bulbe thermostatique du bac.
- C. Le réservoir d'eau est plein d'eau.

Mettre l'interrupteur à bascule en position ON fait démarrer le moteur à engrenages. Une fois que détecteur de vitesse de rotation vérifie une rotation correcte de 10 minutes, le temporisateur s'arrête et le compresseur se met en marche. La machine à glaçons continuera de fabriquer des glaçons jusqu'à ce que la glace entre en contact avec le thermostat de bac. La machine à glaçons ne se remettra en marche que lorsque la glace n'est plus en contact avec le thermostat de bac.



Section 4

Entretien

Nettoyage et désinfection intérieurs

Les procédures de maintenance traitées dans le présent manuel ne sont pas couvertes par la garantie.

Attention

Utiliser uniquement le nettoyant (référence 000000084) et le désinfectant (référence 94-0565-3) pour machine à glaçons Nickel Safe approuvés par Manitowoc. Ne pas mélanger les solutions nettoyantes et désinfectantes. Utiliser ces solutions sans tenir compte des instructions figurant sur les étiquettes est une violation de la loi fédérale. Lire et comprendre toutes les étiquettes imprimées sur les flacons avant utilisation.

Avertissement

Porter des gants en caoutchouc et des lunettes de sécurité (et/ou un masque) lors de la manipulation du nettoyant ou du désinfectant pour machine à glaçons.

PROCÉDURE DE NETTOYAGE ET DE DÉSINFECTION

Cette procédure doit être effectuée une fois par mois.

- Retirer tous les glaçons du bac.
- La machine à glaçons et le bac doivent être démontés, nettoyés et désinfectés.
- La machine à glaçons produit des glaçons avec les solutions nettoyantes et désinfectantes.
- Jeter tous les glaçons produits pendant les procédures de nettoyage et de désinfection.

PROCÉDURE DE NETTOYAGE DES MACHINES FORTEMENT ENTARTRÉES

Exécuter cette procédure en présence de l'un ou de tous les symptômes suivants.

- Grincements, claquements ou sifflements provenant de l'évaporateur.
- Grincements provenant de la boîte d'engrenages.
- La machine à glaçons déclenche le détecteur de vitesse.

REMARQUE : Une procédure de nettoyage/désinfection doit être effectuée après cette procédure.

Nettoyage extérieur

Éliminer la poussière et la saleté des surfaces extérieures à l'aide d'un détergent à vaisselle ménager doux et de l'eau chaude. Essuyer à l'aide d'un chiffon propre et doux.

Procédure de nettoyage et de désinfection

Utiliser le nettoyant pour machines à glaçons Nickel Safe référence 000000084.

Utiliser le désinfectant pour machine à glaçons référence 94-0565-3.

Étape 1 Retirer les couvercles avant et supérieurs et mettre le commutateur à bascule en position OFF.

Étape 2 Retirer tous les glaçons du bac.

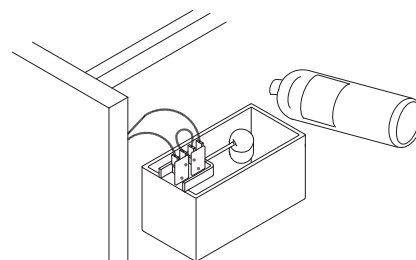
Étape 3 Couper l'alimentation en eau de fabrication de glaçons et vider l'eau de l'évaporateur et du réservoir.

Étape 4 Retirer le couvercle supérieur du réservoir d'eau.

Étape 5 Suivre les instructions du tableau et prémélanger le nettoyant et l'eau.

Quantité d'eau	Quantité de Nettoyant Nickel Safe - Référence 000000084
4 litres (1 gallon)	90 ml (3 once)

Étape 6 Remplir l'évaporateur et le réservoir de solution de nettoyage.



Étape 7 Mettre l'interrupteur à bascule en position ON. La machine à glaçons fabriquera des glaçons avec la solution de nettoyage et déposera les glaçons dans le bac. Ajouter la solution restante de nettoyant/eau au fur et à mesure que le niveau d'eau diminue dans le réservoir.

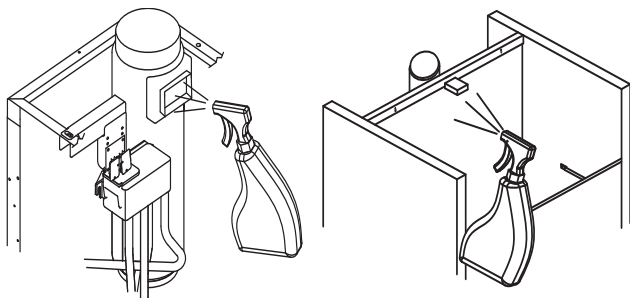
REMARQUE : Ne pas laisser le niveau de solution nettoyant/eau baisser en-dessous du niveau d'eau minimum. La machine à glaçons interrompra le cycle de nettoyage si le commutateur de flotteur d'eau s'ouvre.

Étape 8 Une fois que toute la solution nettoyant/eau a été ajoutée, ouvrir l'alimentation en eau de fabrication de glaçons. Continuer le cycle de congélation pendant 10 minutes pour éliminer la solution de nettoyage du circuit d'eau.

Étape 9 Mettre l'interrupteur à bascule en position OFF.

Étape 10 Consulter la section Retrait des pièces pour le nettoyage/la désinfection et retirer les pièces pour le nettoyage/la désinfection à la main.

- Laver toutes les pièces à la main.
- Rincer toutes les pièces à l'eau potable claire
- Désinfecter toutes les pièces - Ne pas les rincer après la désinfection.
- Vaporiser toutes les surfaces intérieurs du bac/ distributeur avec le désinfectant (ne pas rincer les surfaces désinfectées).
- Vaporiser le bec d'évacuation d'évaporateur.



Étape 11 Remonter la machine à glaçons.

Étape 12 Couper l'alimentation en eau de fabrication de glaçons.

Étape 13 Consulter le tableau et prémélanger l'eau et le désinfectant.

Quantité d'eau	Quantité de désinfectant
4 litres (1 gallon) d'eau	15 ml (1/2 once)

Étape 14 Remplir le réservoir et l'évaporateur avec la solution désinfectant/eau.

Étape 15 Mettre l'interrupteur à bascule en position ON. La machine à glaçons fabriquera des glaçons avec la solution désinfectant/eau et déposera les glaçons dans le bac. Ajouter la solution restante de désinfectant/eau lorsque le niveau d'eau diminue dans le réservoir.

REMARQUE : Ne pas laisser le niveau de solution désinfectant/eau baisser en-dessous du niveau d'eau minimum. La machine à glaçons interrompra le cycle de nettoyage si le commutateur de flotteur d'eau s'ouvre.

Étape 16 Une fois que toute la solution désinfectant/eau a été ajoutée, ouvrir l'alimentation en eau de fabrication de glaçons.

Étape 17 Continuer le cycle de congélation pendant 30 minutes et jeter ensuite tous les glaçons produits.

Procédure de nettoyage des machines à glace en écailles fortement entartrées

Étape 1 Retirer les couvercles avant et supérieurs et mettre le commutateur à bascule en position OFF.

Étape 2 Retirer tous les glaçons du bac.

Étape 3 Couper l'alimentation en eau de fabrication de glaçons.

Étape 4 Retirer le couvercle supérieur du réservoir d'eau.

Étape 5 Consulter le tableau ci-dessous :

Pré-mélanger le nettoyant avec de l'eau tiède dans un conteneur non métallique.

Modèle	Capacité de réservoir d'eau	Mélanger le nettoyant et l'eau Utiliser le nettoyant pour machines à glaçons Nickel Safe, référence 00000084 uniquement.	
		Nettoyant	Eau
RF0244 RF0266 RF0385 RF0388 RF0399 RF0644	400 ml (14 oz)	266 ml (9 oz)	148 ml (5 oz)
RFS0300 RFS0650	500 ml (17 oz)	325 ml (11 oz)	177 ml (6 oz)
RF1200	1 l (34 oz)	680 ml (23 oz)	325 ml (11 oz)
RF2300	2 l (68 oz)	1,3 l (46 oz)	650 ml (22 oz)

Étape 6 Retirer toute l'eau de l'évaporateur et du réservoir d'eau. Ajouter toute la solution nettoyant/eau et remonter le couvercle de réservoir.

Laisser la solution nettoyant/eau dans l'évaporateur pendant au moins 4 heures.

Étape 7 Retirer toute la solution nettoyant/eau de l'évaporateur et du réservoir d'eau.

Étape 8 Suivre les procédures de nettoyage et de désinfection standard.

Retrait des pièces pour le nettoyage/la désinfection

Avertissement

Déconnecter l'alimentation électrique à la machine à glaçons au niveau de la boîte d'interrupteurs électriques et porter des gants en caoutchouc et des lunettes de sécurité (ou un masque) lors de la manipulation du nettoyant ou du désinfectant.

Attention

Ne pas mélanger les solutions nettoyantes et désinfectantes. Utiliser ces solutions sans tenir compte des instructions figurant sur les étiquettes est une violation de la loi fédérale.

1. Couper l'alimentation en eau à la machine à glaçons au niveau de la soupape de service d'eau.
2. Retirer les composants indiqués aux pages suivantes pour le nettoyage et la désinfection.
3. Faire tremper la ou les pièces déposées dans une solution correctement mélangée de nettoyant et d'eau.

Type de solution	Eau	Mélangée avec
Nettoyant	4 L (1 gallon)	500 ml (16 oz) de nettoyant Référence 000000084

4. Utiliser une brosse en nylon à poils souples ou une éponge (PAS une brosse métallique) pour nettoyer soigneusement les pièces.
5. Utiliser la solution et une brosse ou une éponge pour nettoyer tous les composants démontés et l'intérieur du bac.
6. Rincer toutes les pièces nettoyées à l'eau claire.
7. Mélanger une solution de désinfectant et d'eau.

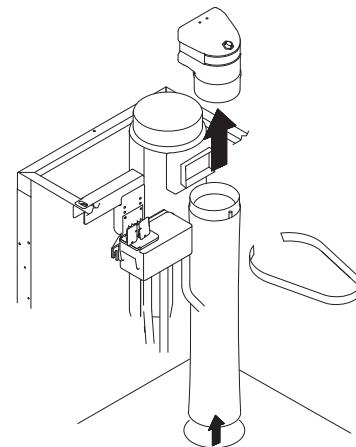
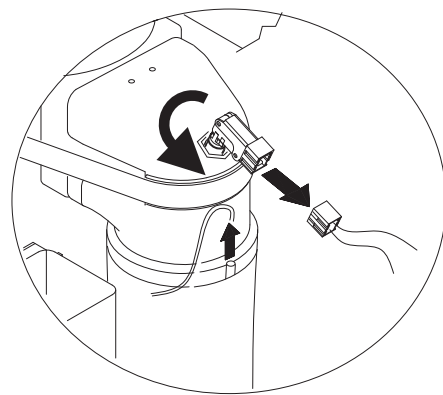
Type de solution	Eau	Mélangée avec
Désinfectant	11 L (6 gallons)	60 ml (2 oz) de désinfectant Référence 94-0565-3

8. Faire tremper les pièces dans la solution désinfectant/eau pendant 10 minutes. Utiliser la solution désinfectant/eau et une éponge pour désinfecter tous les composants déposés et l'intérieur du bac. Ne pas rincer les pièces désinfectées.
9. Continuer avec l'étape 11 de la procédure de nettoyage/désinfection.

DÉPOSE DE LA GOULOTTE À GLAÇONS

RFS0300/RFS0650/RF1200/RF2300 uniquement

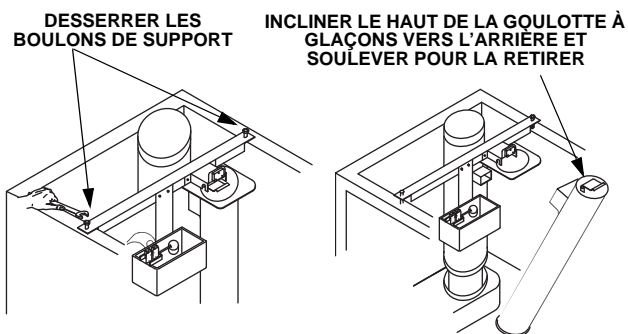
1. Placer l'interrupteur à bascule en position OFF, couper l'alimentation en eau et déconnecter l'alimentation électrique à la machine à glaçons.
2. Déconnecter l'alimentation en eau.
3. Déposer le couvercle du réservoir d'eau.
4. Supprimer microswitch et coffre thermostat de les glace chute.
5. Supprimer serviteur , glace chute coude et glace chute.



DÉPOSE DE LA GOULOTTE À GLAÇONS

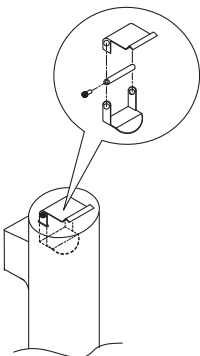
RFS0300/RFS0650/RF1200/RF2300 uniquement

1. Placer l'interrupteur à bascule en position OFF, couper l'alimentation en eau et déconnecter l'alimentation électrique à la machine à glaçons.
2. Déconnecter l'alimentation en eau.
- 3.
4. Déposer le couvercle du réservoir d'eau.
5. Retirer le thermostat de bac de la goulotte à glaçons.
6. Desserrer les boulons maintenant la traverse.
7. Soulever la traverse et retirer la goulotte à glaçons.

**DÉPOSE DE L'ACTIONNEUR D'INTERRUPTEUR DE GOULOTTE À GLAÇONS**

RFS0300/RFS0650/RF1200/RF2300 uniquement

1. Tirer pour retirer l'embout en nylon.
2. Faire glisser la goupille pour l'enlever.
3. Retirer les deux sections du support de manostat.



UN REMONTAGE INCORRECT
PEUT PROVOQUER UN NON-
FONCTIONNEMENT DE LA
MACHINE À GLAÇONS

Nettoyage du condenseur refroidi à l'air**⚠ Avertissement**

Couper l'alimentation électrique de la machine à glaçons et le condenseur à distance au niveau des interrupteurs de distribution électrique avant de nettoyer le condenseur.

Un condenseur sale restreint le débit d'air, entraînant ainsi des températures de fonctionnement excessivement élevées et une production de glaçons réduite. Nettoyer le condenseur au moins tous les six mois.

⚠ Attention

Les ailettes du condenseur sont coupantes. Faire attention en les nettoyant.

1. Nettoyer l'extérieur du condenseur à l'aide d'une brosse douce ou d'un aspirateur avec une brosse. Éclairer une lampe de poche dans le condenseur pour inspecter toute présence éventuelle de saleté entre les ailettes. S'il reste de la saleté, utiliser une méthode adéquate pour éliminer la contamination afin d'assurer un débit d'air.
2. RFS0300/RFS0650/RF1200/RF2300 uniquement. Nettoyer le filtre lavable avec une solution d'eau et de savon doux.

Système de filtration d'eau Arctic Pure

Conçu spécifiquement pour les machines à glaçons Manitowoc. Ce filtre à eau est une méthode efficace, fiable et abordable pour empêcher la formation de tartre, filtrer les sédiments et éliminer le goût et l'odeur du chlore.

Nettoyant et désinfectant Manitowoc

Le nettoyant pour machines à glaçons Nickel Safe Manitowoc est disponible en bouteilles pratiques de 473 ml (16 oz). Le désinfectant pour machines à glaçons Manitowoc est disponible en bouteilles de 473 ml (16 oz) et de 3,78 l (1 gal).

Référence du nettoyant		Référence du désinfectant	
16 oz	000000084	16 oz	94-0565-3
		1 Gallon	94-0581-3

Section 5

Service clientèle

Liste de vérification

En cas de problème pendant le fonctionnement de la machine à glaçons, suivre la liste de vérification ci-dessous avant de contacter le service technique. Les réglages périodiques et procédures d'entretien ne sont pas couverts par la garantie.

Problème	Cause possible	Mesure corrective
La machine à glaçons ne fonctionne pas.	Thermostat de bac ouvert ou glace en contact avec la sonde de thermostat	Ajuster le thermostat ou retirer les glaçons
	Pas d'eau dans le réservoir	Pas d'eau dans la machine à glaçons, filtre colmaté, robinet à flotteur défectueux
	Thermostat de sécurité d'évaporateur ouvert	Ajuster thermostat
	Interrupteur de goulotte de glaçons ouvert	Inspecter présence éventuelle de glaçons ou de grippage et fermer l'interrupteur
	Délai non expiré	Patienter 10 minutes pour l'expiration du délai
	Déclenchement de coupure haute pression	Nettoyer le serpentin du condenseur et réinitialiser
Moteur à engrenages fonctionne mais aucun glaçon n'est produit	Commande basse pression ouverte	Décongeler l'évaporateur et retester – Appeler un réparateur
	Thermostat de bac ouvert ou glace en contact avec la sonde de thermostat	Ajuster le thermostat ou retirer les glaçons
	Pas d'eau dans le réservoir	Pas d'eau dans la machine à glaçons, filtre colmaté, robinet à flotteur défectueux

THIS PAGE INTENTIONALLY LEFT BLANK

Garantie commerciale de la machine à glaçons

GARANTIE LIMITÉE

Manitowoc Ice, une division de Manitowoc FSG Services, LLC, (« Société ») garantit que les Machines à glaçons RF Flake neuves vendues par la Société sont exemptes de tout défaut de matériau ou de fabrication à condition d'une utilisation et d'un entretien normaux et appropriés tels que spécifiés par la Société, et avec une installation et une mise en service appropriées conformes au manuel d'instructions fourni.

LA GARANTIE COUVRE CE QUI SUIT :

- Pièces pendant une période de trois (3) ans.
- Main d'œuvre pendant une période de deux (2) ans.
- Pièces de compresseur pendant une période de cinq (5) ans et main d'œuvre pendant une période de deux (2) ans.

La garantie de la Machine à glaçons RF Flake entre en vigueur à compter de la date de l'installation originale. La présente garantie ne s'applique à aucune machine à glaçons initialement installée pendant plus de cinq (5) ans à compter de la date de production du numéro de série.

L'obligation de la Société en vertu de la présente garantie est limitée à la réparation ou au remplacement des pièces, des composants ou des ensembles qui, selon la Société uniquement, sont défectueux. La présente garantie est également limitée au coût des pièces, composants ou ensembles, et aux frais de main d'œuvre au salaire de base (à l'exclusion de la garantie sur le compresseur) sur le lieu du service technique.

Les tarifs de taux de base et horaires, tels que publiés de temps à autre par la Société, s'appliquent à toutes les procédures de service. Les frais supplémentaires, y compris mais sans s'y limiter, le temps de déplacement, la majoration pour travail supplémentaire, le coût des matériaux, l'accès à la Machine à glaçons RF Flake ou son retrait, ou encore l'expédition, sont à la charge de l'acheteur, tout comme le est l'entretien, les réglages, le nettoyage et les achats de glaçons. Le travail couvert par la présente garantie doit être effectué par un représentant du service technique sous contrat homologué de la Société ou par un organisme de service de réfrigération tel que qualifié et homologué par le distributeur local de la Société. La responsabilité de la Société en vertu de la présente garantie ne sera en aucun cas supérieure au prix d'achat réel payé par l'acheteur pour la Machine à glaçons RF Flake.

EXCLUSIONS DE GARANTIE

- La réparation ou le remplacement des pièces requis en raison d'une mauvaise utilisation, d'un entretien ou d'un entreposage inadéquat, de négligence, d'altération, d'utilisation de fournitures incompatibles ou du manque d'entretien spécifié sont exclus.
- Points d'entretien normal.
- Défaillances dues à des tensions inadéquates ou erratiques, conditions environnementales ou d'eau malsaines, évacuation inadéquate, interruption d'alimentation en eau ou en courant.
- Réparation incorrecte ou non autorisée.
- Toute Machine à glaçons RF Flake qui n'aura pas été installée conformément aux instructions fournies par la Société.

Remplir ce qui suit et conserver cette information :

Distributeur/Revendeur _____

Référence de modèle _____ Numéro de série _____

Date d'installation _____

MANITOWOC ICE, INC. 2110 So. 26th St., P.O. Box 1720, Manitowoc, WI 54221-1720 USA

Téléphone : 920-682-0161 • Fax : 920-683-7585 Web Site - www.manitowocice.com

Formulaire 80-0375-3 Rév. 01-02

- Pièces ayant fait l'objet de dommages indépendants de la volonté de la Société, ou Machine à glaçons RF Flake qui a fait l'objet d'accidents, de dommages pendant l'expédition, un incendie, des inondations, autres dangers et calamités naturelles indépendants de la volonté de la Société.
- La présente garantie limitée ne s'applique pas si le système de réfrigération de la Machine à glaçons RF Flake est modifié par un condenseur, un récupérateur de chaleur ou d'autres pièces ou ensembles non fabriqués par la Société, sauf en cas de l'approbation écrite par la Société de ces modifications pour des emplacements spécifiques avant le début desdites modifications.

LIMITATION DE LA RESPONSABILITÉ

Les paragraphes précédents indiquent le recours exclusif pour toutes les réclamations basées sur la défaillance de, ou défaut dans, des Machines à glaçons RF Flake vendues ci-dessous, que la défaillance ou le défaut ait lieu avant ou pendant la période de garantie, et qu'une réclamation, instituée de quelque manière que ce soit, soit basée sur contrat, indemnité, garantie, délit civil (y compris négligence), responsabilité objective, tacite par statut, common law ou autre, et la Société et ses agents ne seront en aucun cas responsables de toute réclamation concernant des blessures corporelles ou dommages consécutifs ou pertes, quelle qu'en soit leur cause. Lors de l'échéance de la période de garantie, toutes lesdites responsabilités viendront à échéance. **LES GARANTIES PRÉCÉDENTES SONT EXCLUSIVES ET REMPLACENT TOUTES LES AUTRES GARANTIES, QU'ELLES SOIENT ÉCRITES, ORALES, TACITES OU LÉGALES. AUCUNE GARANTIE TACITE DE QUALITÉ MARCHANDE OU D'ADAPTATION À UN USAGE PARTICULIER NE S'APPLIQUERA. LA SOCIÉTÉ NE GARANTIT AUCUN PRODUIT OU SERVICE FOURNI PAR AUTRUI.**

RECOURS

La responsabilité de la Société dans le cas d'une violation de toute obligation de garantie ci-dessous se limite à ce qui suit : (i) la réparation ou le remplacement de la Machine à glaçons RF Flake sur laquelle la responsabilité est basée, ou pour ce qui est des services, de la nouvelle application de la caractéristique de contrôle des services ; ou (ii), sur la décision de la Société, le remboursement du montant payé pour lesdits équipements ou services. Toute violation de la Société pour ce qui est de tout article ou toute unité d'équipement ou tous services sera considérée comme une violation par rapport à cet article, cette unité ou ce service uniquement.

PROCÉDURE DE RÉCLAMATION AU TITRE DE LA GARANTIE

Le client sera responsable de ce qui suit :

- Remplir et renvoyer la carte de garantie ou s'enregistrer en ligne dans les cinq (5) jours à compter de la date d'installation.
- Tout service au titre de la garantie doit être effectué par un représentant du service technique sous contrat ou autorisé homologué de Manitowoc.

LOI APPLICABLE

La présente garantie limitée sera régie par les lois de l'État du Wisconsin (États-Unis), à l'exclusion de leurs conflits des principes de droit. La Convention des Nations Unies sur les contrats de vente internationale de marchandises est exclue, par les présentes, dans son intégralité de l'application à la présente garantie limitée.

Pour assurer un service de garantie prompt et permanent, la carte de garantie doit être remplie et envoyée à la SOCIÉTÉ dans les cinq (5) jours suivant la date d'installation.

Garantie limitée résidentielle de la machine à glaçons

CE QUE COUVRE LA PRÉSENTE GARANTIE LIMITÉE

Sous réserve des exclusions et limitations ci-dessous, Manitowoc Foodservice (« Manitowoc ») garantit au client d'origine toute nouvelle machine à glaçons fabriquée par Manitowoc (le « Produit ») contre tout défaut de matériau ou vice de fabrication pendant la période de garantie décrite ci-dessous dans des conditions normales d'utilisation et d'entretien, et suite à une installation et une mise en service correctes conformément au manuel d'instructions fourni avec le Produit.

PÉRIODE DE CETTE GARANTIE LIMITÉE

<u>Produit couvert</u>	<u>Période de garantie</u>
Machine à glaçons	Douze (12) mois à compter de la date de vente

PERSONNES COUVERTES PAR CETTE GARANTIE LIMITÉE

La présente garantie limitée s'applique uniquement au client d'origine du Produit et n'est pas transférable.

OBLIGATIONS DE MANITOWOC ICE DANS LE CADRE DE CETTE GARANTIE LIMITÉE

En cas de défaut et de réception par Manitowoc d'une déclaration de dommage valide avant l'expiration de la période de garantie, Manitowoc doit, sur sa décision : (1) réparer le Produit à ses frais, y compris les frais de main d'œuvre standard en heures normales, (2) remplacer le Produit par un nouveau produit ou un produit équivalent à l'original ou (3) rembourser le prix d'achat du Produit. Les pièces de rechange sont garanties pendant 90 jours ou pour le reste de la période de garantie d'origine, si elle est plus longue. Les éléments précédents constituent l'unique obligation de Manitowoc et le recours exclusif du client en cas de rupture de la présente garantie limitée. La responsabilité de Manitowoc dans le cadre de la présente garantie limitée se limite au prix d'achat du Produit. Toutes dépenses supplémentaires, y compris mais sans s'y limiter, le temps de déplacement pour service, les frais de main d'œuvre d'heures supplémentaires ou de majoration, l'accessibilité au Produit ou son retrait, ou l'expédition sont à la charge du client.

OBTENTION DE SERVICE DE GARANTIE

Pour obtenir un service de garantie ou toute information concernant le Produit, veuillez nous contacter :

MANITOWOC FOODSERVICE

2110 So. 26th St.

P.O. Box 1720,

Manitowoc, WI 54221-1720 USA

Téléphone : 920-682-0161 Fax : 920-683-7585

www.manitowocice.com

CE QUI N'EST PAS COUVERT

La présente garantie limitée ne couvre pas, et laisse à votre seule responsabilité, les frais de ce qui suit : (1) maintenance périodique ou de routine, (2) réparation ou remplacement du Produit ou des pièces suite à une usure normale, (3) défauts ou dommages du Produit ou des pièces du fait d'une mauvaise utilisation, d'une utilisation abusive, de négligences ou d'accidents, (4) défauts ou dommages du Produit ou des pièces du fait d'altérations, de modifications ou de changements incorrects ou non autorisés et (5) défauts ou dommages d'un Produit non installé et/ou maintenu conformément au manuel d'instructions ou aux spécifications techniques fournis par Manitowoc. Dans la mesure où ces exclusions de garantie dépendent des lois nationales, il est possible qu'elles ne vous concernent pas.

SAUF TEL QU'INDIQUÉ PAR LA PHRASE SUIVANTE, LA PRÉSENTE GARANTIE LIMITÉE REPRÉSENTE LA SEULE ET UNIQUE GARANTIE DE MANITOWOC CONCERNANT LE PRODUIT. TOUTES LES GARANTIES TACITES SONT STRICTEMENT LIMITÉES À LA DURÉE DE LA GARANTIE LIMITÉE S'APPLIQUANT AUX PRODUITS, COMME INDIQUÉ PRÉCÉDEMMENT, Y COMPRIS, SANS TOUTEFOIS S'Y LIMITER, TOUTE GARANTIE DE QUALITÉ MARCHANDE OU D'ADAPTATION À UN USAGE PARTICULIER.

Certains pays ne permettant pas de limitations sur la durée d'une garantie tacite, il est possible que la limitation ci-dessus ne vous concerne pas.

EN AUCUN CAS, MANITOWOC OU UNE DE SES FILIALES, NE PEUT ÊTRE TENUE POUR RESPONSABLE DU CLIENT OU DE TOUTE AUTRE PERSONNE EN CAS DE DOMMAGES ACCESSOIRES, CONSÉCUTIFS OU PARTICULIERS DE TOUTE NATURE (Y COMPRIS, MAIS SANS TOUTEFOIS S'Y LIMITER, UNE PERTE DE PROFITS, DE REVENUS OU COMMERCIALE) DÉCOULANT, OU LIÉS DE QUELQUE MANIÈRE QUE CE SOIT, AU PRODUIT, À UNE RUPTURE DE LA PRÉSENTE GARANTIE LIMITÉE, OU À TOUTE AUTRE CAUSE, QUELLE QU'ELLE SOIT, BASÉE SUR LE CONTRAT, SUR LA RESPONSABILITÉ CIVILE OU TOUTE AUTRE RESPONSABILITÉ.

Certaines juridictions ne permettant pas l'exclusion ou la limitation de dommages accessoires ou consécutifs, il est possible que cette limitation ou exclusion ci-dessus ne vous concerne pas.

APPLICATION DES LOIS NATIONALES

La présente garantie limitée vous offre des droits légaux spécifiques et il se peut que vous ayez d'autres droits qui varient d'une juridiction à une autre.

CARTE DE GARANTIE

Pour assurer un service de garantie prompt et permanent, cette carte de garantie doit être remplie et envoyée à Manitowoc dans les trente (30) jours suivant la date de vente. Remplir la carte de garantie suivante et l'envoyer à Manitowoc.

THIS PAGE INTENTIONALLY LEFT BLANK

THIS PAGE INTENTIONALLY LEFT BLANK

EC DECLARATION OF CONFORMITY

We hereby declare that our products, ice machines and Multiplex refrigeration equipment comply with all the essential requirements of the listed EC - directives.

Manufacturer:

Manitowoc Ice, Inc.
2110 S. 26th Street, P.O. Box 1720
Manitowoc, Wisconsin 54221-1720 USA

European Distributor:

Representative of Manitowoc Ice, Inc.:

Engineering Manager, (Printed name)

Representative of European Distributor:

Signature

Model and Serial No.

Applied EC Directives:

Applied Standards:

EN60335-1 Safety of household and similar electrical appliances
EN60335-2-24 Particular requirements refrigerators, food freezers and ice makers

EN55014 Electrical Motor Operated Appliances (Emissions)
EN55014 Electro Magnetic Compatibility (Immunity)
EN378 -1 to -4 Refrigeration Plants

Low Voltage 73/23/EEC
EMC 89/336/EEC
Pressure Equipment 97/23/EC



8201043
08/25/03



© 2010 Manitowoc

Continuing product improvements may necessitate change of specifications without notice.

Part Number 00007644 3/11



Manitowoc Foodservice
2110 South 26th Street, P.O. Box 1720
Manitowoc, WI 54221-1720, USA
Ph: 920-682-0161 Fax: 920-683-7589
Visit us online at: www.manitowocice.com

Free Manuals Download Website

<http://myh66.com>

<http://usermanuals.us>

<http://www.somanuals.com>

<http://www.4manuals.cc>

<http://www.manual-lib.com>

<http://www.404manual.com>

<http://www.luxmanual.com>

<http://aubethermostatmanual.com>

Golf course search by state

<http://golfingnear.com>

Email search by domain

<http://emailbydomain.com>

Auto manuals search

<http://auto.somanuals.com>

TV manuals search

<http://tv.somanuals.com>