



Ice Machine Parts List for Series Q Dispensers Models*

QFA291

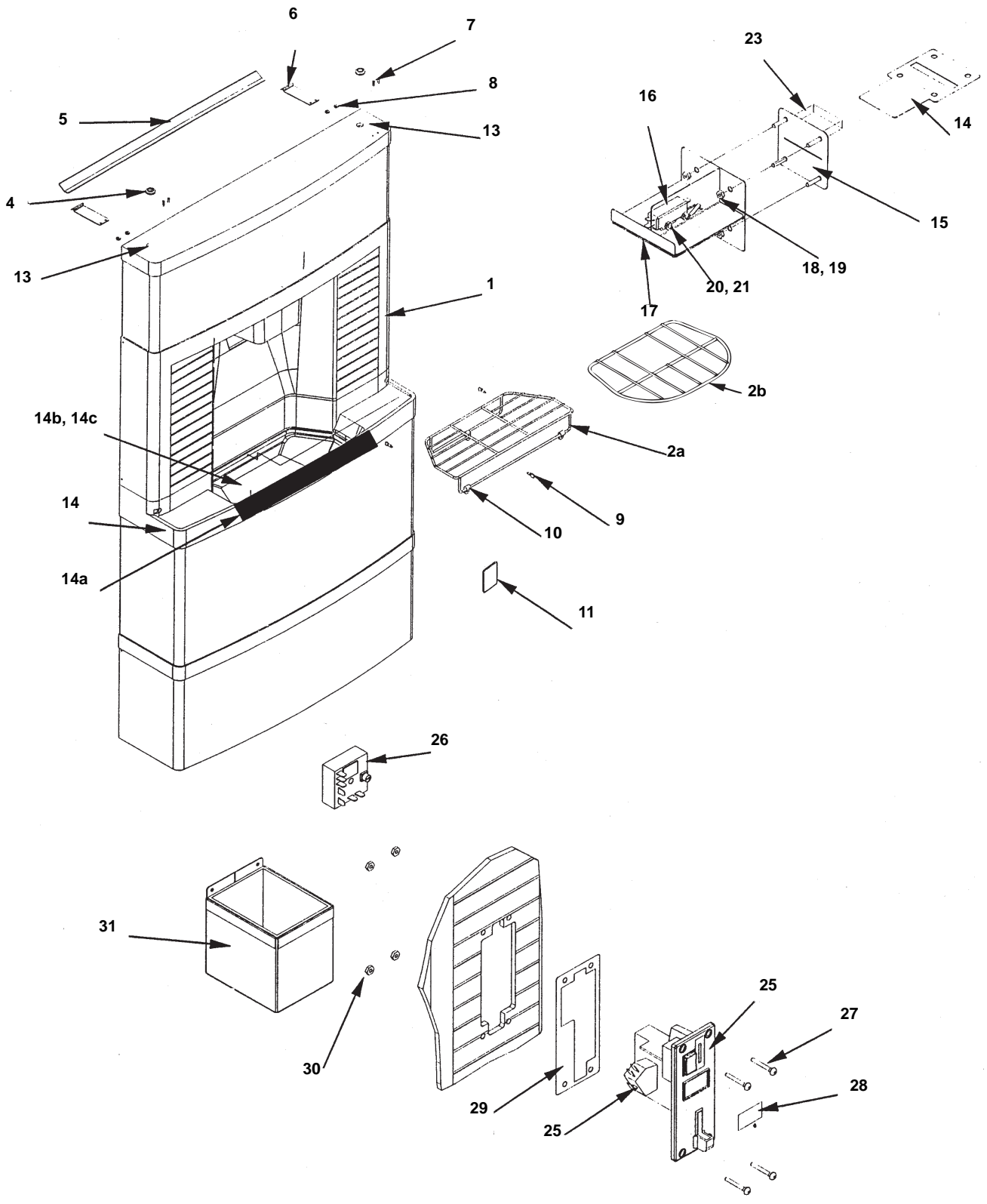
QRA340

QPA310

QCA330

***Covers serial numbers 980565665 to 980565692, 981062223 to 981062252,
and all serial numbers after 981063560.**

QPA310, QRA340, QFA291, QCA330 DOOR ASSEMBLY

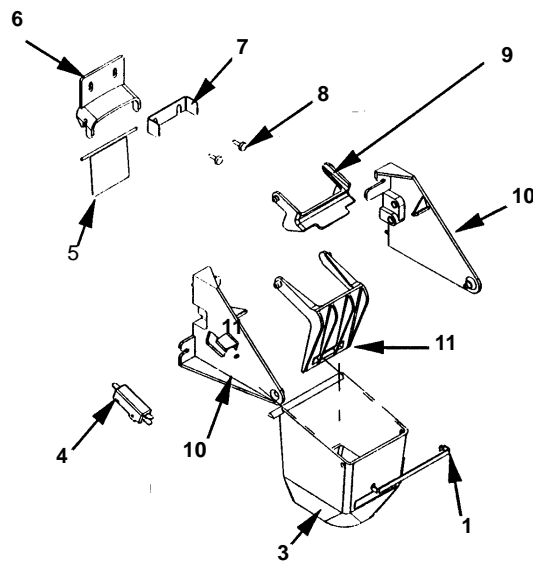
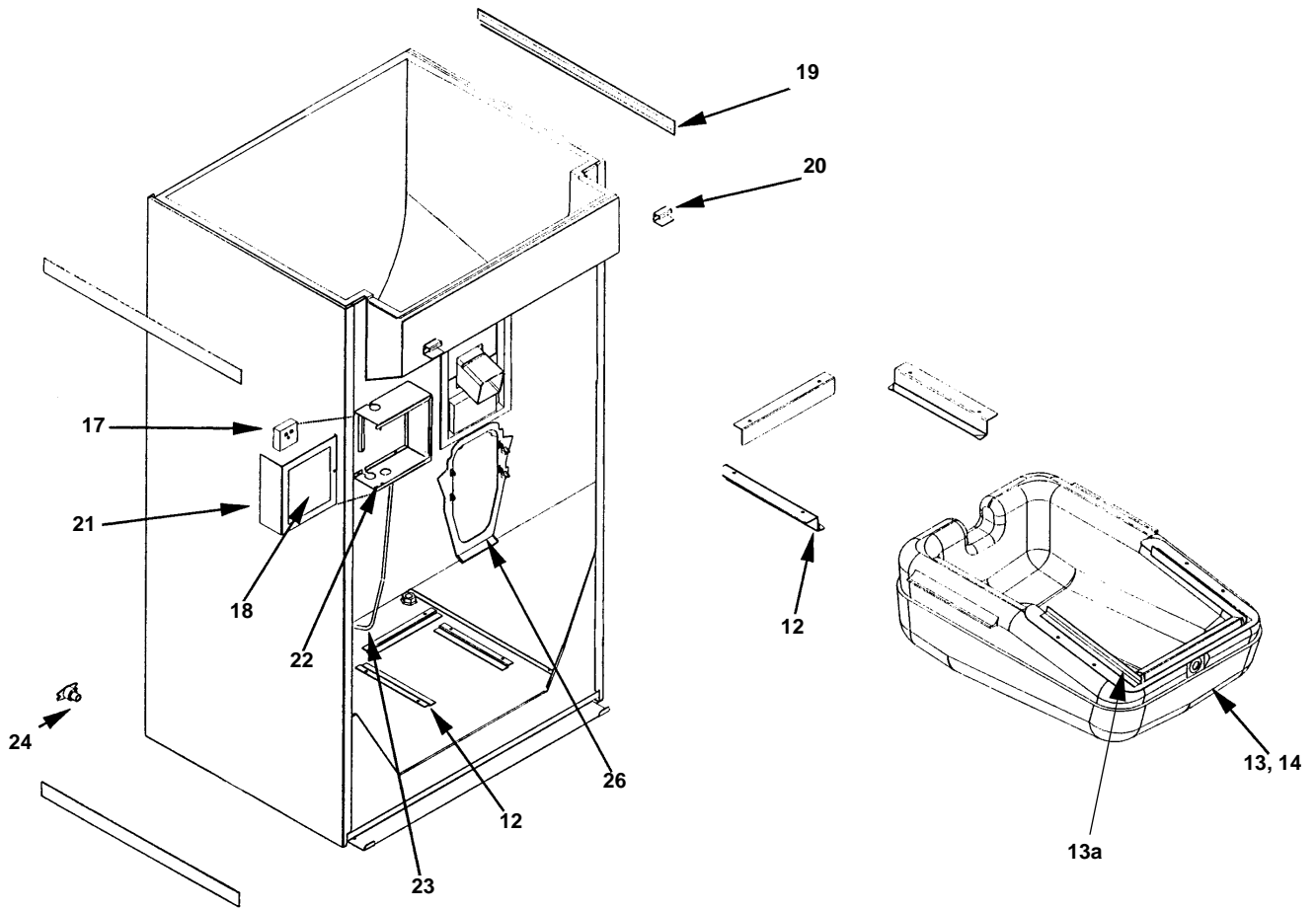


QPA310, QRA340, QFA291, QCA330 DOOR ASSEMBLY, CONTINUED

DESCRIPTION	PART NO.	
	New Part	Old Part
1 Main Door Assembly		
a. QPA310 Rocking Chute	5011731	9750003
b. QFA291 Push Button Glass Fill	5011736	9750013
c. QCA330 Coin Chute		No Longer Available
d. QRA340 Room Card		No Longer Available
2 Wire Grill		
a. Flat Style	5007348	† 9750023
b. Round Style	5012970	9750973
3 Water Fill Valve (not shown)	202FNSLBB	9750103
a. Bracket Water Fill Valve after SN010464077	5012105	9750943
b. Bracket Water Fill Valve up to SN010464077		No Longer Available
c. Water Valve Lever	51606	000000558
d. Lever Retainer Clip	51700	000001024
QPA310, QRA340, QFA291, Miscellaneous – Brackets, Screws, etc.		
4 Grommet 5/8" Top Mount	5008096	9750033
5 Gasket Top Front Panel	5008624	9750043
6 Latch Top Mount	5008068	9750053
7 Stud #6-32 x 5/16" Pin FHS	5008634	No Longer Available
8 Nut #6-32 Hes SS	0902101	9750073
9 Thumbscrew	5008075	9750083
10 Clamp 3/16" Grid Black	5007667	9750093
11 Label Manitowoc Logo	same	8135773
12 Carton Assembly (without pallet)	5007538	9750633
a. Carton Pallet	5008373	
13 Door Lock	same	9750733
14 Sink Basin With Wearguard		No Longer Available
a. Stainless Steel Sink Basin Wearguard	5011995	9750913
b. Sink Basin Insert up to SN010464077		No Longer Available
c. Sink Basin Insert starting SN010464077 to SN010861616	same	9750713
QRA340		
15 Plate Front	5008271	9750803
16 Switch	020003076	9750813
17 Bracket	5008270	9750823
18 Nut 8-32 Hex SS	0902103	9750833
19 Washer Star #8 SS	0901915	9750843
20 Nut 6-32 Kept HH SS	88000087	9750853
21 Screw 6-32 x 1" SS PH RH MS	0900901	9750863
22 Wiring Harness (not shown)	5008267	9750873
23 Insert Card Label	5008455	9750883
24 Wiring Diagram Label (QRA340) (not shown)	5008272	9750893
QCA330		
25 Coin Mechanism with Microswitch	5008313	9750563
26 Timer, Coin Mechanism 115V	5008325	9750573
Timer, Coin Mechanism 230V	5009453	9750603
27 Bolt Carriage 8-32 x 1" Black	5008370	9750783
28 Coin Mechanism Label	5009899	9750763
29 Plate	5008379	9750773
30 Nut Kept 42	00201803	9750743
31 Coin Box	same	9750753

† Refer to Cross Reference Guide

QPA310, QRA340, QFA291, QCA330 CABINET ASSEMBLY



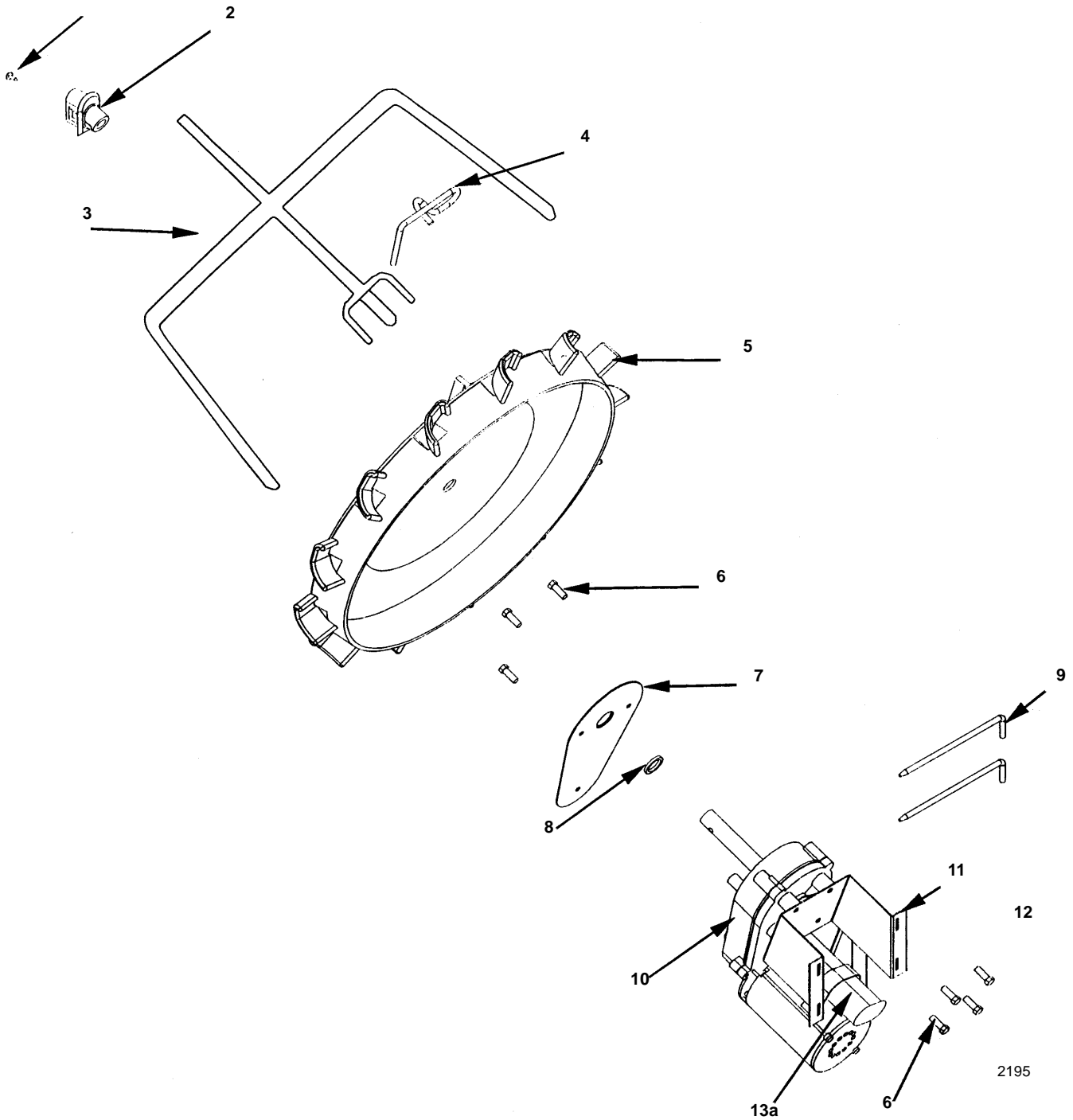
2193

QPA310, QRA340, QFA291, QCA330 CABINET ASSEMBLY, CONTINUED

DESCRIPTION	PART NO.	
	New Part	Old Part
ROCKING CHUTE ASSEMBLY		
1 Bracket Rocking Chute Outer	5031384	9750113
2 Label "Push For Ice".	0301298	9750123
3 Rocking Chute	5007355	9750133
4 Microswitch	1000703	9750153
5 Door Finger Guard	5011788	9750163
6 Retainer Guard.	5007662	9750173
7 Retainer Door.	5008112	9750183
8 Screw #8-32 x 1/2" Knurl w/o Slot	5000711	9750193
9 Lock Rocking Chute Door	5002509	9750203
10 Bracket Rocking Chute Door Kit (includes both sides)	020002673	9750213
11 Door Rocking Chute.	5002508	9750223
QPA310, QRA340, QFA291, QCA330 Drain Pan Assembly		
12 Bracket Drainpan Support	5008820	9750233
13 Drain Pan Assembly (Replaces 2 piece Drain Pan).	5010422	9750673
a. Drain Pan Gasket	5029365	000000560
14 Drain Pan (Replaces 1 piece Drain Pan)	5010422	9750673
15 Tubing Drain w/Insulation.	5008162	9750263
16 Drain Pan Strainer	5013878	NA
QPA310, QRA340, QFA291, QCA330 Electrical		
17 Timer Agitation	same	020000222
18 Label Wiring Diagram.	same	9750283
QPA310, QRA340, QFA291, QCA330 Miscellaneous – Brackets, Screws, etc.		
19 Trim Decorative	5007847	9750293
20 Clasp Top Mount		No Longer Available
21 Cover Electrical Box.	7050073	9750313
22 Box RC Electrical	5003611	9750323
23 Cord Electrical	5008642	9750333
24 Fitting 1/2" Brass	same	8706083
25 Baffle (not shown)	5007892	7629313
26 Motor Pin Retaining Bracket	5010220	† 9750659
27 Micro Switch for Coin Mechanism		No Longer Available

† Refer to Cross Reference Guide

QPA310, QRA340, QFA291, QCA330 PADDLE WHEEL ASSEMBLY



2195

QPA310, QRA340, QFA291, QCA330 PADDLE WHEEL ASSEMBLY, CONTINUED

DESCRIPTION	PART NO.	
	New Part	Old Part
1 Screw #8 x 3/4" SS PH TR HD	5011940	9750353
2 Bushing Mushroom	0101702	9750363
3 Agitator	5009560	9750373
4 Pin 9.75 SS Agitator Removal	5010452	9750383
5 Paddle Wheel	2601415	9750393
6 Bolt 1/4 -20 x 5/8" SS HHCS	0900601	9750403
7 Motor Insulator	5007342	9750413
8 Seal Oil #7410 3/4"		Included in 9750413
9 Pin Retaining	4140023	9750433
10 Motor/Reducer AO-62 (115V/60 Hz)	020003650	9750443
10a Motor/Reducer AO-62 (220/240V, 50-60 Hz)	5000869	9750553
11 Motor Mount	5001776	9750453
12 Washer Lock 1/4" SS	0901904	9750463
13 Capacitor - Von Weise Motor		
a. 115V/60Hz	5008877	9750613
b. 220/240V 50-60Hz	5008398	9750583
14 Capacitor - Bison Motor		
a. 115V/60Hz	020002950	
b. 220/240V 50-60Hz	020002951	

INTENTIONALLY LEFT BLANK

Free Manuals Download Website

<http://myh66.com>

<http://usermanuals.us>

<http://www.somanuals.com>

<http://www.4manuals.cc>

<http://www.manual-lib.com>

<http://www.404manual.com>

<http://www.luxmanual.com>

<http://aubethermostatmanual.com>

Golf course search by state

<http://golfingnear.com>

Email search by domain

<http://emailbydomain.com>

Auto manuals search

<http://auto.somanuals.com>

TV manuals search

<http://tv.somanuals.com>