



Manitowoc

7623123

WATER CURTAIN SWITCH UPDATE KIT USED ON G-1200 AND G-1700 SERIES ICE MACHINES

Kit Includes: 2 springs, P/N 3300113
2 brackets, P/N 6268714

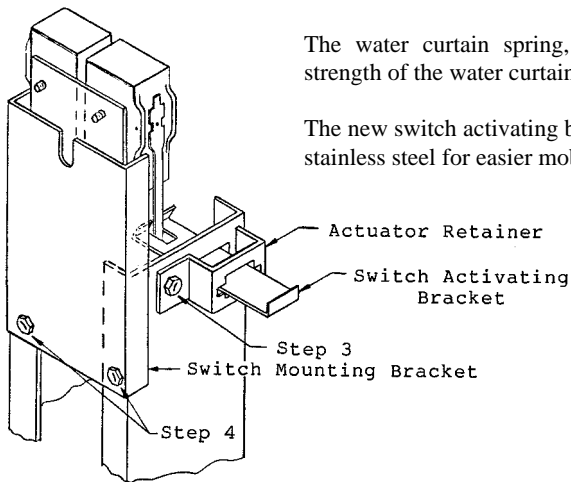


Fig. 1

The water curtain spring, installed, will increase the return strength of the water curtain switch arm.

The new switch activating bracket is made out of a lighter gauge stainless steel for easier mobility.

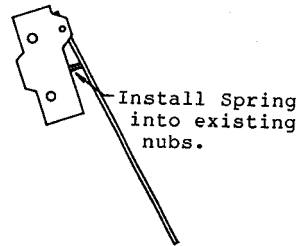


Fig. 2

Side View of
Water Curtain Switch

INSTALLATION INSTRUCTIONS:

1. Disconnect power supply.
2. Remove the left-hand side panel.
3. Remove the actuator retainers and switch activating brackets by removing the screws supporting them (one in each, front and rear).
4. Remove the two screws supporting the switch mounting bracket and pull out the bracket and switch assembly. Using needle-nose pliers, install the supplied springs into each water curtain switch (one in each, front and rear), as shown in Fig. 2.
5. Reassemble the bracket and switches in their original positions.
6. Replace the switch activating brackets with the new ones supplied (front and rear). Reassemble the actuator retainers, with the new switch activating bracket, in their original positions. Note: All parts must be burr free.
7. Readjust the water curtain switches for proper operation, as necessary. See these instructions on the inside of the front panel.

Manitowoc Ice, Inc.

2110 South 26th Street, P.O. Box 1720, Manitowoc, WI 54221-1720 USA

Telephone 920-682-0161, Fax - Sales: 920-683-7589, Service/Parts: 920-683-7585, Other: 920-683-7879

8003553

Web Site - www.manitowocice.com

Rev. 10/09/03

Download from www.Somanuals.com. All Manuals Search And Download.

Free Manuals Download Website

<http://myh66.com>

<http://usermanuals.us>

<http://www.somanuals.com>

<http://www.4manuals.cc>

<http://www.manual-lib.com>

<http://www.404manual.com>

<http://www.luxmanual.com>

<http://aubethermostatmanual.com>

Golf course search by state

<http://golfingnear.com>

Email search by domain

<http://emailbydomain.com>

Auto manuals search

<http://auto.somanuals.com>

TV manuals search

<http://tv.somanuals.com>