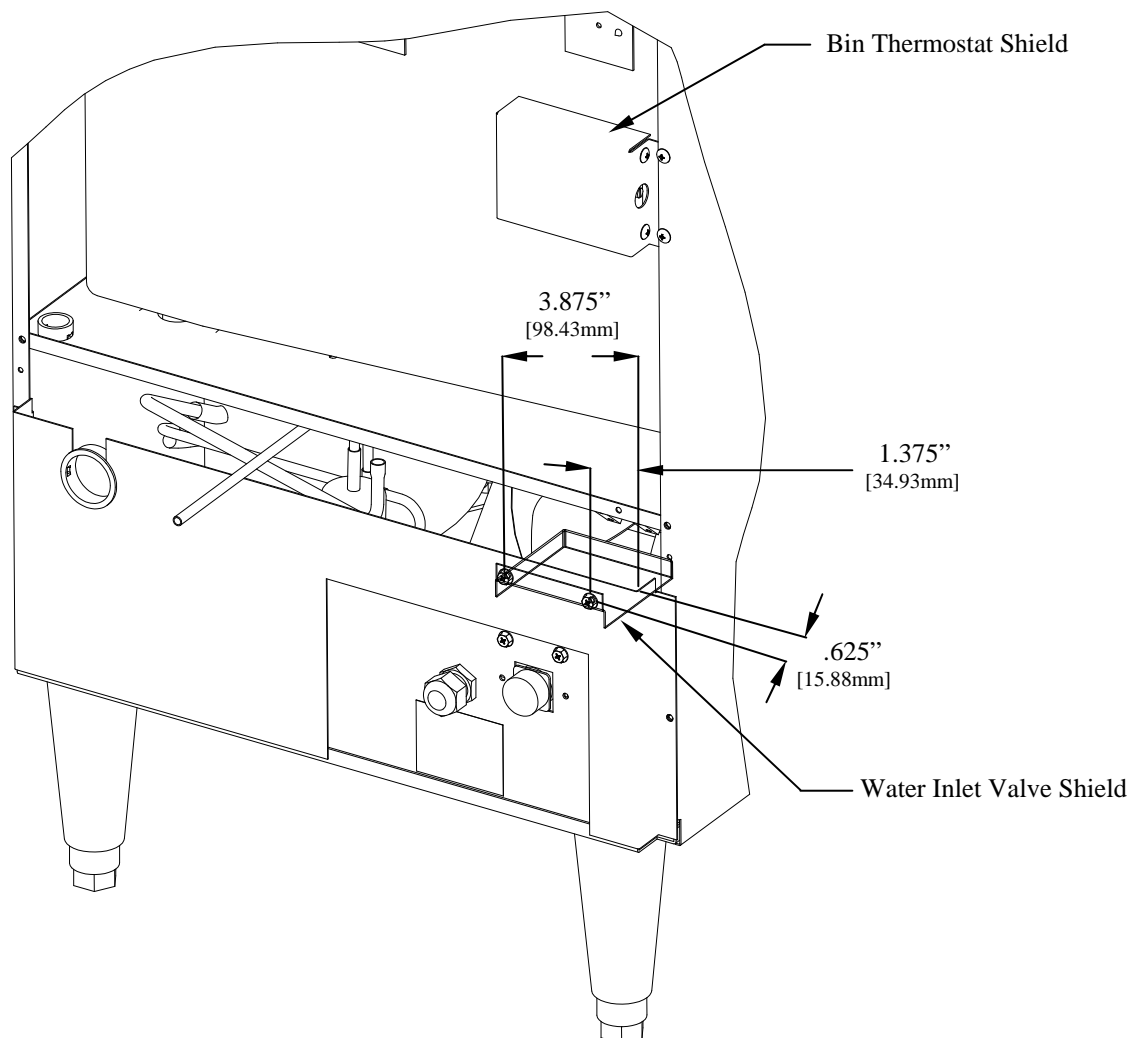




## 7629661 BIN THERMOSTAT WATER SHIELD ASSY. QM-30 Installation Instructions Only

**IF USED ON A QM-20, REPLACEMENT BRACKET AND SHIELD ARE NOT USED.  
INSTALL BIN THERMOSTAT ONLY.**

1. Remove back panel.
2. Remove the two screws holding the bin thermostat to the bracket. Drill out the rivets that hold the bracket to the cabinet. Remove and discard the bracket.
3. Drill new 9/64" [3.5mm] diameter holes in the cabinet exterior flange 1.25" [31.75mm] above the existing holes. Attach the thermostat to the shield using the M4 x 7 screws supplied. Attach the shield to the cabinet using the 8-32 x .500" screws supplied.
4. Press the shield firmly into the foam. Seal the top, left side, and right seams with RTV.
5. Locate and drill 3/16" [4.76mm] diameter holes in the lower back panel above the water inlet valve. Install the water inlet valve shield using two 10-24 x .500" hex head screws supplied.
6. Install the back panel.



## Free Manuals Download Website

<http://myh66.com>

<http://usermanuals.us>

<http://www.somanuals.com>

<http://www.4manuals.cc>

<http://www.manual-lib.com>

<http://www.404manual.com>

<http://www.luxmanual.com>

<http://aubethermostatmanual.com>

Golf course search by state

<http://golfingnear.com>

Email search by domain

<http://emailbydomain.com>

Auto manuals search

<http://auto.somanuals.com>

TV manuals search

<http://tv.somanuals.com>