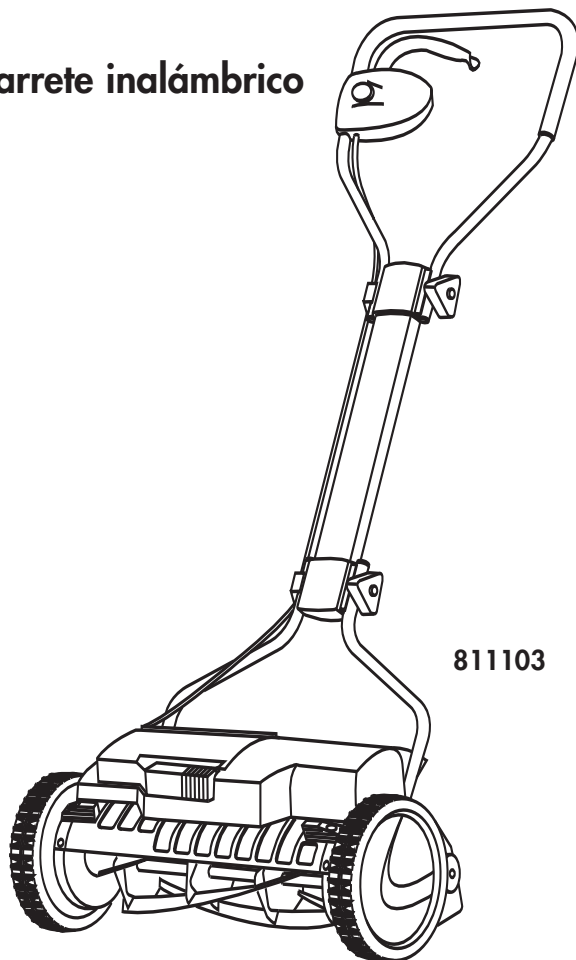




**Cordless Reel Mower**

**Tondeuse à main électrique sur batterie**

**Cortacésped de carrete inalámbrico**

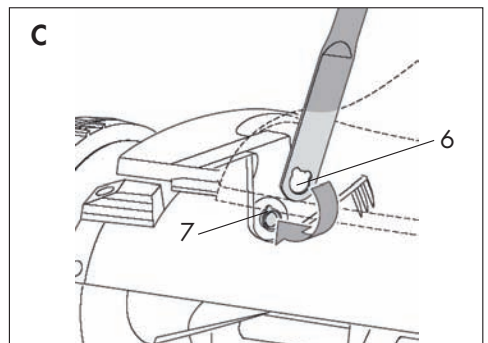
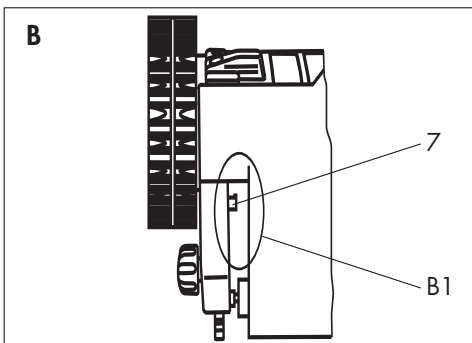
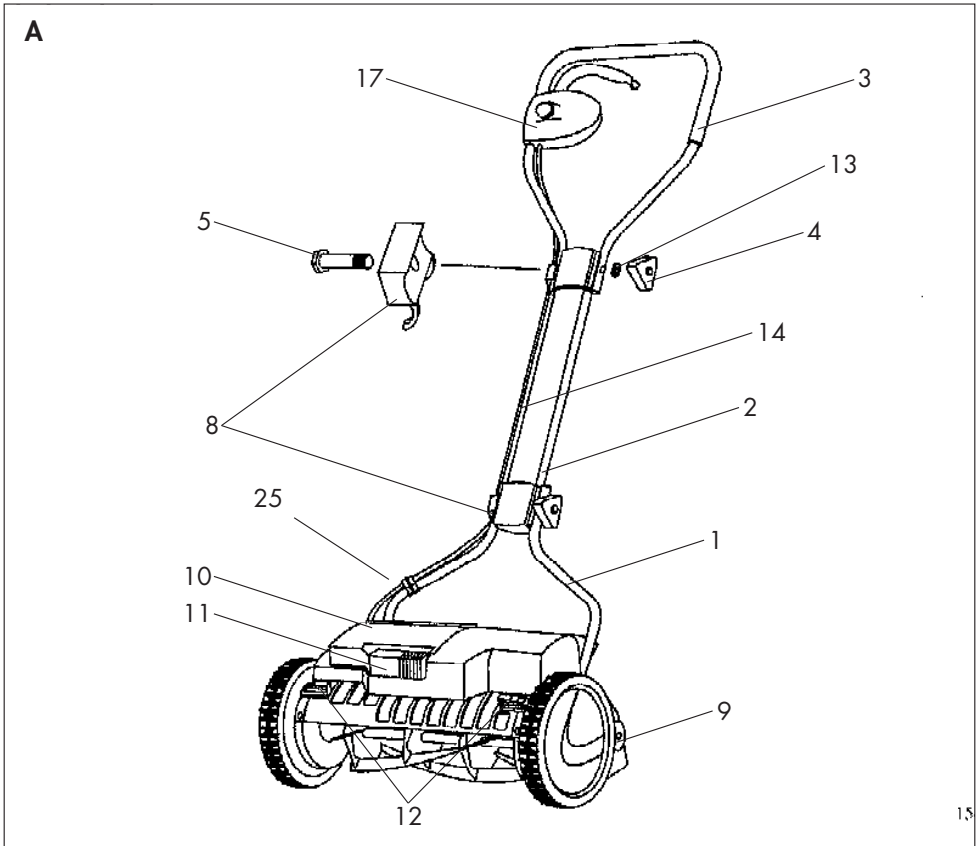


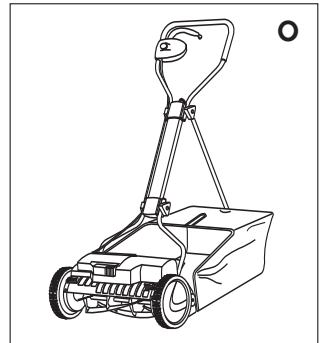
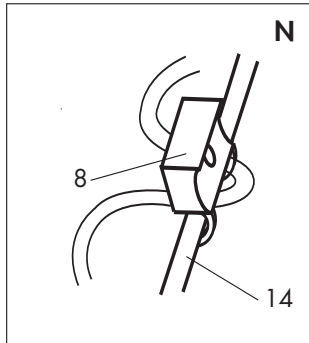
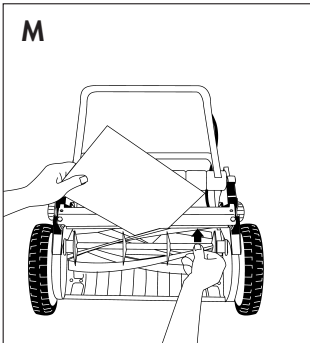
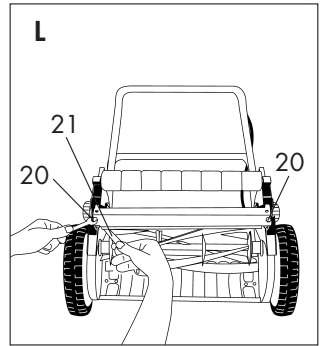
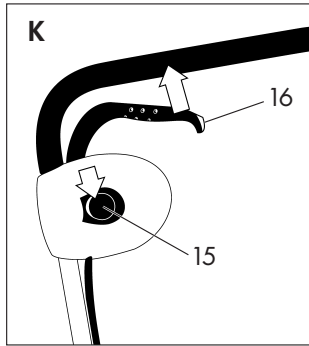
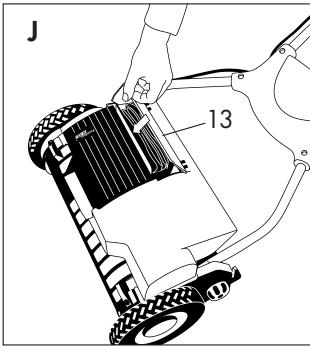
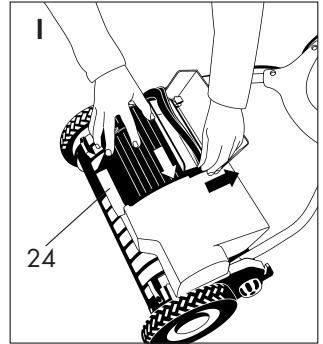
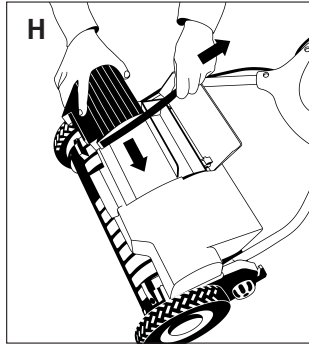
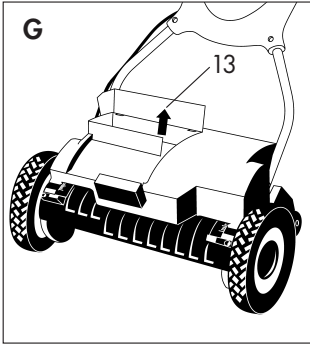
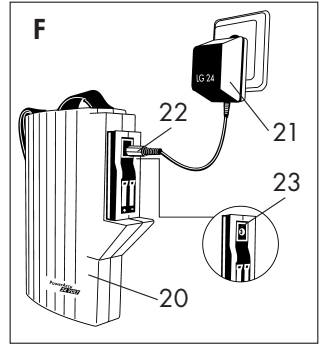
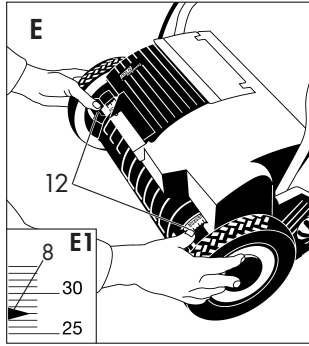
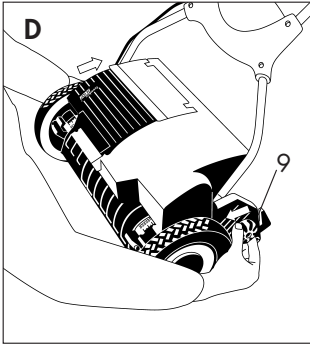
**811103**

## Contents – Contenu – Indice de materias

<b>GB</b>		<b>FR</b>		<b>ES</b>	
<b>Please read these operating instructions carefully before assembling and using your machine.</b>					
1. Operating parts	3	1. Pièces de fonctionnement	3	1. Componentes	3
2. Technical data	7	2. Caractéristiques techniques	7	2. Datos técnicos	7
3. Notes on Safety	8	3. Consignes de sécurité	8	3. Indicaciones de seguridad	8
4. Notes on these operating instructions	11	4. Informations sur le mode d'emploi	21	4. Indicaciones al manual de instrucciones	31
5. Proper Use	11	5. Utilisation conforme	21	5. Uso previsto	31
6. Assembly	12	6. Montage	22	6. Montaje	32
7. Putting into operation	13	7. Mise en service	23	7. Puesta en servicio	33
8. Information concerning correct mowing	14	8. Conseils pour tondre correctement	24	8. Cortar correctamente	34
9. Maintenance/care/storage	15	9. Entretien et rangement	25	9. Mantenimiento, limpieza, almacenamiento	35
10. Troubleshooting	17	10. Dépannage	27	10. Solución de averías	37
11. Instructions for correct use/safety instructions	18	11. Conseils de sécurité et précautions d'emploi	28	11. Indicaciones para el uso adecuado/Indicaciones de seguridad	38
12. Disposal/recycling	19	12. Mise au rebut/Recyclage	29	12. Eliminación/Reciclaje	39
Warranty	19	Garantie	29	Garantía	39

# 1. Operating parts – Pièces de fonctionnement – Componentes





**GB**

- 1 Lower section of the guide handle
- 2 Middle section of the guide handle
- 3 Upper section of the guide handle
- 4 Clamping grip
- 5 Frame clamping screw to fix guide transom
- 6 Opening for snug from or on handle bolts
- 7 Handle bolts
- 8 Cable clamp
- 9 Fixing nuts
- 10 Battery
- 11 Contact bar
- 12 Adjusting handles
- 13 Washer
- 14 Cable
- 15 Release knob
- 16 Starting handle
- 17 On / off switch
- 18 Cover for harness compartment
- 19 Cutting height marking
- 20 Hexagon thread bolt (to adjust cutting tool)
- 21 Thickness gauge
- 22 Charger
- 23 Plug for charger
- 24 Charging socket in Battery
- 25 Cable Clamp

**FR**

- 1 Partie inférieure du guidon
- 2 Partie centrale du guidon
- 3 Partie supérieure du guidon
- 4 Poignée de serrage à tige
- 5 Vis de tension du montant pour bloquer le longeron de guidage
- 6 Évidement pour ergot d'arrêt du / sur boulon de guidon
- 7 Boulon de guidon
- 8 Serre-câble
- 9 Ecrous de blocage
- 10 Batterie
- 11 Rail contact
- 12 Manettes de réglage
- 13 Rondelle
- 14 Câble
- 15 Bouton de déverrouillage
- 16 Démarreur
- 17 Interrupteur Marche / Arrêt
- 18 Couvercle du compartiment du faisceau
- 19 Repère de la hauteur de coupe
- 20 Vis hexagonale (réajustement de l'outil de coupe)
- 21 Jauge d'épaisseur
- 22 Chargeur de batteries
- 23 Fiche du chargeur
- 24 Prise de charge de la batterie
- 25 Serre-câble

**ES**

- 1 Sección inferior de las varillas guía
- 2 Sección media de las varillas guía
- 3 Sección superior de las varillas guía
- 4 Asa de apriete de la barra
- 5 Tornillo tensor para inmovilizar el manillar
- 6 Orificio para enganche del saliente de y a los tornillos de las varillas.
- 7 Tornillos de las varillas
- 8 Sujetacables
- 9 Tuercas de ajuste
- 10 Batería
- 11 Riel de contacto
- 12 Manijas de ajuste
- 13 Arandela
- 14 Cable
- 15 Botón de desenganche
- 16 Manija de arranque
- 17 Interruptor
- 18 Compartimento para la correa en la tapa
- 19 Marcas de altura de corte
- 20 Tornillo hexagonal (ajuste de la cuchilla)
- 21 Galga de rendijas
- 22 Aparato de carga
- 23 Enchufe del cargador
- 24 Casquillo de carga en la batería
- 25 Sujetacables



## 2. Technical data – Caractéristiques techniques – Datos técnicos

### GB

#### Power Unit

Battery	20 x 1.2 V NiCd
Voltage / Capacity	24 V / 2.0 Ah
Weight	approx. 3 lb.
Number of possible charges	approx. 1,000 times

#### Charger

Voltage	120 V / 100 mA
Charging time	12 – 24 hours
Weight	.44 lb.

#### Cordless Reel Mower

Width of the cutting cylinder	15"
Weight without Battery	approx. 21 lb.
Working area related emission characteristic value $L_{pA}^{1)}$	69 dB (A)
Guaranteed noise level $L_{WA}^{2)}$	86 dB (A)
Measured noise level $L_{WA}^{2)}$	82.2 dB (A)
Hand-Arm vibrations $a_{vhw}^{1)}$	< 2.5 m/s <sup>2</sup>

Measuring method according to <sup>1)</sup> EN 836 <sup>2)</sup> 2000/14/EC

### FR

#### Bloc d'alimentation

Batterie	20 x 1,2 V NiCd
Tension/Capacité	24 V / 2,0 Ah
Poids	1,4 kg environ
Nombre de recharges possibles	1 000 environ

#### Chargeur

Tension	120 V / 100 mA
Temps de charge	12 à 24 heures
Poids	0,2 kg (0.44 lb)

#### Tondeuse à main électrique sur batterie

Largeur du cylindre de coupe	38 cm
Poids sans batterie	9,5 kg environ
Paramètre d'émission $L_{pA}^{1)}$ sur le lieu de travail	69 dB (A)
Puissance acoustique garantie $L_{WA}^{2)}$	86 dB (A)
Puissance acoustique mesurée $L_{WA}^{2)}$	82,2 dB (A)
Niveau de vibrations transmises aux mains $a_{vhw}^{1)}$	< 2,5 m/s <sup>2</sup>

Procédé de mesure selon <sup>1)</sup> la norme NE 836 <sup>2)</sup> la directive 2000/14/CE

### ES

#### Unidad de alimentación

Batería	20 x 1,2 V NiCd
Voltaje/capacidad	24 V / 2,0 Ah
Peso	aprox. 1,4 kg
Número de cargas posibles veces	aprox. 1.000

#### Terminal de recarga

Voltaje	120 V / 100 mA
Duración de carga	12 à 24 horas
Peso	0,2 kg

#### Cortacésped de cuchillas helicoidales

Anchura del rodillo de cuchillas	38 cm
Peso sin batería	aprox. 9,5 kg
Valor índice de emisión referido al puesto de trabajo $L_{pA}^{1)}$	69 dB (A)
Nivel sonoro garantizado $L_{WA}^{2)}$	86 dB (A)
Nivel sonoro medido $L_{WA}^{2)}$	82,2 dB (A)
Oscilación mano-brazo $a_{vhw}^{1)}$	< 2,5 m/s <sup>2</sup>

Procedimiento de medición según <sup>1)</sup> NE 836 <sup>2)</sup> 2000/14/EC

### 3. Notes on Safety – Consignes de sécurité – Indicaciones de seguridad

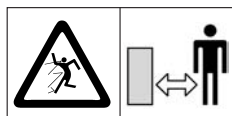
Please adhere to the following safety instructions on the appliance:  
Veuillez faire attention aux consignes de sécurité figurant sur l'appareil :  
Preste atención a las indicaciones de seguridad del aparato:



Be extremely cautious and attentive!  
Faites particulièrement attention !  
¡Preste atención y sea especialmente cuidadoso!



Read instruction handbook before starting!  
Merci de lire attentivement le mode d'emploi avant d'utiliser cet appareil !  
¡Lea las instrucciones de uso antes de la puesta en marcha!



Keep bystanders away from the danger zone!  
Maintenez tout tiers hors de la zone de travail !  
¡No debe haber terceras personas dentro de la zona de peligro!

Warning! Contacts should never be bridged with metal! Short-circuit – fire risk!  
Attention ! Les éléments de contact ne doivent jamais être reliés par du métal. Risque de court-circuit – danger d'incendie !  
¡Atención! ¡No deben puentear los contactos con piezas metálicas! ¡Peligro de corto circuito – incendio!

Danger of damage to equipment: never clean electrical equipment under running water, in particular, do not use water under high pressure on it.  
En raison des risques d'endommagement : ne nettoyez pas les appareils électriques sous de l'eau du robinet et évitez surtout de le faire sous haute pression.  
Debido al peligro de daños en el aparato: No limpie los aparatos eléctricos bajo un chorro de agua corriente, sobre todo no lo haga a alta presión.

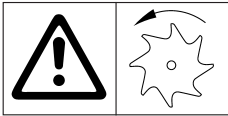




Warning! Risk of injury. Keep fingers and feet away from sharp cutting tool!  
Attention ! Risque de blessures par l'outil de coupe – ne mettez ni mains ni pieds à proximité !  
¡Atención! Peligro de heridas. No acerque las manos ni los pies a las hojas afiladas.



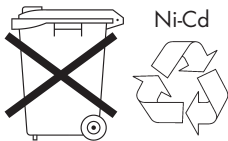
Danger! Keep hands and feet out of openings while machine is running.  
Attention – danger ! Tenez mains et pieds éloignés des ouvertures pendant le fonctionnement de l'appareil.  
¡Atención, peligro! Mantenga las manos y los pies retirados de los orificios mientras la máquina esté en movimiento.



Warning! The cutting tool continues to rotate for a short time after switching off the motor!  
Attention ! L'outil de coupe ne s'arrête pas immédiatement !  
¡Atención! ¡El mecanismo de corte marcha en inercia !



Warning! Remove the Power Unit from the socket before carrying out all maintenance work!  
Attention ! Enlevez le bloc d'alimentation avant tous travaux de maintenance !  
¡Atención! ¡Desconectar la unidad de alimentación antes de realizar trabajos de mantenimiento !



Ni-Cd

Disposal of Ni-Cd cells only as per instructions in this booklet.  
Pour la mise au rebut de la batterie Ni-Cd, reportez-vous aux informations portées dans le mode d'emploi.  
Depositarlo en los contenedores de reciclaje según las instrucciones.



## 4. Notes on these Operating Instructions

Please carefully read the operating instructions and adhere to the general and safety instructions enclosed therein. Use this operating manual and the safety


instructions in order to familiarize yourself with the implement, the adjusting parts and the correct use.


**Keep these operating instructions in a safe place.**

## 5. Proper Use

The Mantis lawnmower is intended for cutting lawns and areas of grass in domestic gardens and allotments and not for commercial use in public areas, parks, sports stadia, on streets and in agriculture and forestry.

Adherence to the instructions for use enclosed by Mantis is a precondition for the proper use of the equipment. The instructions for use also include the operating, care and maintenance instructions.

 **Warning! The mower must not be used for trimming bushes, hedges and herbaceous plants, for cutting and chopping weeds or for mowing lawns on rooftops or in balcony boxes because of the risk of physical injury. Moreover, the machine may not be used as a shredder for cutting up tree and hedge trimmings or for rolling out uneven areas of ground.**

 **Warning! Never allow children or other people who**

**are not familiar with these operating instructions to use this unit.**

**Never mow your lawn if other people, especially children and pets are nearby.**

**Local regulations may specify a minimum age for users of this type of gardening equipment.**

**Remember that the user or operator is responsible for all accidents that occur involving other people or their property.**

## GB 6. Assembly

### Checking all the Parts are Included

The box contains the following parts:

- Cordless Reel Mower
- 1 Battery
- 1 upper section of the guide handle
- 1 middle section of the guide handle
- 2 lower section of the guide handle
- Assembly parts for the guide handle in a plastic bag
- 1 Charger (24 Volt)
- 1 thickness gauge
- Operating instructions

### Fitting the Guide Handle

Insert the lower section of the guiding handle (Fig. A, Pos. 1) through the opening (Fig. B, Pos. B1). The arches of the lower section of the guiding handle must point to the center of the piece of equipment. The lower section of the guiding handle is to be positioned over the handle



The packaging material is made of recyclable materials. Dispose of packaging materials in accordance with regulations.

bolts (Fig. B/C, Pos. 7) with the boreholes (Fig. C, Pos. 6).

Repeat this on the opposite side with the second lower section of the guiding handle.



**Warning! Do not apply force during assembly.**

Insert the beam screw (Fig. A, Pos. 5) through the borehole of the cable clip (Fig. A, Pos. 8).

Fit the middle section of the guiding handle (Fig. A, Pos. 2) together with both lower sections of the guiding handle as demonstrated in Fig. A. Where the boreholes align, insert the beam screw with the cable clip through the boreholes, position the washer on to the beam screw (Fig. A, Pos. 13) and then screw the parts together hand tight with the beam screw handle (Fig. A, Pos. 4).

Take the upper section of the guiding handle and place this part as demonstrated in Fig. A

together with the middle section of the guiding handle. Where the boreholes align, insert the beam screw with the cable clip through the boreholes, position the washer on to the beam screw (Fig. A, Pos. 13) and then screw the parts together hand tight with the beam screw handle (Fig. A, Pos. 4).

Fasten the cable by pushing the clamp on to the lower part of the bar from outside (Fig. A, Pos. 25).



**Warning! Ensure that the cable is not squeezed**

Electrical appliances are not to be disposed of in the normal household waste, they must be professionally disposed of.

## 7. Putting into operation

### 7.1. Setting the cutting height

**⚠ Warning! To prevent injury, never set the cutting height when the motor is running.**

Set the cutting height on the Cordless Reel Mower as follows:

1. Stand the mower on a flat, solid surface.
2. Position yourself in front of the cutting height scale of the mower (fig. D).
3. Loosen both fixing nuts (fig. D pos. 9).
4. With both hands on the adjusting cutting height you require (fig. E/E1):

Highest cutting height: 1.75"

Lowest cutting height: .75"

**Note:** Make sure that the arrows marking the cutting height (8) show the same cutting height on both sides of the scale (fig. E/E1 pos. 8).

5. Re-tighten both fixing nuts (fig. D pos. 9).

**Note:** When setting the Cordless Reel Mower to a low cutting height, ensure that the lower blade and cutting cylinder do not touch the ground if the ground is uneven.

### 7.2. Charging the Battery

For technical reasons the Battery (fig. F pos. 20) is **not charged**. Consequently, the unit needs to be charged before initial operation.

For this exclusively use the Charger (fig. F pos. 21).

Plug the charger (fig. F pos. 21) into the mains socket and then push the plug for the charger (fig. F pos. 22) into the charging socket (fig. F pos. 23) of the Battery. The charging procedure begins.

Ensure you use the correct mains voltage!

Charging time: approx. 24 hours for the initial charge. Afterwards, 12 – 24 hours depending on the state of charge.

The Battery reaches its full capacity only after numerous (approx. 5) charging/discharging processes.

**⚠ Do not charge the Battery with charging equipment other than the Charger since only this charger has been specifically adapted for use with the Battery.**

**The use of other charging units can lead to damage and injuries.**

**The use of other charging units makes all claims for compensation null and void and releases the manufacturer from all guarantee services.**

**⚠ Charge the Battery for 24 hours before using your Cordless Reel Mower for the first time.**

**⚠ The mains plug heats up slightly during the charging procedure.**

**⚠ Charge the Battery in a dry place and away from direct sunlight.**

**⚠ Never charge the Battery anywhere near easily inflammable materials.**

### 7.3. Connecting the Battery

1. Open the harness compartment (fig. G pos. 13). Hold the Battery in your right hand and use your left hand to pull the harness to the left so that the ends of the harness lie flat against the Battery (fig. H).

2. Push the Battery into the contact bar (fig. I pos. 24) until you hear it click into place.
3. Fold the harness into loops, stow it away in the harness compartment (fig. J) and close the cover (fig. J pos. 13). This also secures the Battery in the contact bar.

### 7.4. Starting your mower

**⚠ Warning! Before starting your Cordless Reel Mower check for foreign bodies in the cutting cylinder and remove if necessary.**

Start your Cordless Reel Mower as follows:

1. Stand your mower on a level part of the lawn.
2. To start the motor, press and hold down the release knob (fig. K pos. 15) and with the other hand, simultaneously pull the starting handle (fig. K pos. 16) towards the cross bar.
3. If you release the starting handle (fig. K pos. 16) the motor switches off again.

**⚠ The switches installed by the manufacturer must not be removed or be bridged e.g.: by taping down the starting handle to the guide handle. This will prevent the mower switching off automatically, and could cause fatal injury.**

**⚠ Attention! Cutting cylinder continue to run for a few seconds after the motor is switched off.**

**When working with the Cordless Reel Mower the Battery heats up; this is normal and does not affect its performance.**

## GB 8. Information concerning correct mowing

### 8.1. General remarks on the care of lawns

At the beginning of the grasscutting season and with newly laid lawns, we recommend you select a relatively high cutting height (e.g. 1.75 inches) then gradually decrease the cutting height over time. To maintain a well kept lawn you should set the cutting height to approximately 1 to 1.5 inches.

If possible, mow your lawn once a week. When you mow your lawn frequently the short roots of the grass grow making your lawn more resistant.

Always mow your lawn when it is relatively dry. To obtain a clean cut guide the Cordless Reel Mower in lanes as straight as possible at a walking pace. Ensure that the lanes overlap by a few centimetres so that no uncut strips are left behind.

Cut the lawn for the first time in spring when the grass begins to grow and the lawn can be walked on. If the grass has grown too long first cut it lengthwise with a high cutting height setting (approx. 1.75") and then cut at right angles with the desired lower cutting height setting (e.g. 1 inch).


The area of lawn you can mow with one charged battery depends on the height and thickness of the lawn, i.e. the taller and thicker the lawn, the smaller the area of lawn you can mow with one fully charged battery.

### 8.2. Mowing

**Tip: Only cut with a sharp cutting cylinder so that the grass is not bruised and turn yellow.**

For a clean cut guide the Cordless Reel Mower at an appropriate speed in lanes as straight as possible.

**Note:** The Cordless Reel Mower can be operated with the battery or without as a hand mower.


 **Warning: The revolving cutting cylinder can cause injuries.**

**Always maintain the distance between the cutting cylinder and user suggested by the guide handle. When working on inclines always stand diagonally to the incline in a sturdy, safe stance.**

**To prevent tripping, take particular care when moving backwards and when pulling the Cordless Reel Mower. You may stumble!**

For information on how to set the cutting height see section "Setting the cutting height".

### 8.3. Mowing with the grass collection box

 **Only attach the grass catcher when the motor is switched off and the cutting tool has stopped moving.**

When using a grass collection box you can save yourself having to rake up the grass afterwards. It can be obtained at specialized shops. In order to collect a good amount of grass, the lawn should be dry and you should push the mower along at a brisk pace.

**Note:** The height of the grass catcher can be adjusted using the strap. For the best grass-catching results, push your mower at a walking pace.

### Blockage protection / Circuit breaker

If the mower is blocked by a foreign body or if the motor is overloaded, the motor is automatically switched off by the circuit-breaker. Pull the battery out of the contact bar. Remove the foreign body or the cause for the overload and after a few seconds restart the mower. If the motor switches off although there are no foreign bodies in the cutting tool it is possible that the cutting height you have selected is too low. Select a higher cutting height, e.g. 1.75" and then select a lower cutting height for the second cut.

If the Cordless Reel Mower is overloaded over a longer period of time the motor may become hot. To protect the motor from overheating the thermal circuit-breaker switches off the motor.


You can switch on the mower again after approximately 2 – 5 minutes.

## 9. Maintenance, care and storage

### 9.1. Maintenance


Maintenance includes all jobs which keep your Cordless Reel Mower in perfect working order. By regularly checking the unit (firm seating of screw connections, cracks, damage) and replacing defective or worn parts you can prevent accidents and failure.

**Repairs may only be carried out by Mantis service centers or dealers authorized by Mantis.**

 **Before cleaning and setting the Hand Lawnmower, switch off the motor and remove the battery to prevent starting the motor unintentionally.**

### 9.2. The Battery

#### Charging the Battery

 **Note: Only charge the battery with the charger supplied! Using other charging units could lead to damage and injury. Using a charger other than the Mantis charger supplied releases Mantis from all liability and warranty claims.**

We recommend charging the battery immediately after using your mower using the supplied charger.

 **Important ! Never charge the battery after having been heated up by operation or sun. Let cool down first.**

**Never expose the battery to direct sunlight while charging.**

**Never charge the battery anywhere near acids and easily**

**inflammable materials. Danger of fire!**

**Note:** Do not wait until the battery is completely flat before recharging.

Charge the battery in a dry place as follows:

1. Open the cover of the harness compartment (fig. J pos. 13).
2. Pull the battery out of the contact bar (fig. I pos. 24).
3. Plug the plug (fig. F pos. 22) of the charger into the charging socket (fig. F pos. 23).
4. Then plug the charger (fig. F pos. 21) into the mains socket.
5. To resume mowing after charging the battery, proceed as described in section 7.2.

#### **Important:**

- Protect the charging socket (fig.F pos.23) against dirt and moisture.
- **If the battery capacity is so low that the Cordless Reel Mower switches off automatically then the charging time is 24 hours.**

The battery should be stored at a dry, elevated, frost-free, locked up place, where children have no access. Avoid direct sunlight.

**Always disconnect the battery from tools before storing to avoid improper use and accidents.**


Make sure the surface and the contacts of the battery always are clean and dry before connecting the charging unit. When dirty clean them with a soft, dry rag;

**never use running water.**

If you do not use the battery for long periods of time, please charge it again before using. Since a gradual self-discharge occurs, charge the battery completely before initial use after longer periods of storage.

### 9.3. The Cordless Reel Mower

#### Cleaning

 **To avoid injury to persons and material damage: Never clean your Cordless Reel Mower with running water, in particular with water under high pressure.**

After using the mower clean with a moist cloth. Spray the cutting cylinder and lower blade with an oil of low viscosity (e. g. spray oil).

#### Maintenance

The blades, which if cared for properly must only be sharpened after years, can only be sharpened by Mantis due to the special sharpening technique.

The mower may only be repaired and the cutting blades may only be installed by approved specialist workshops.

**Note: Ensure that all nuts, bolts and screws are tight and that the mower is in good working order. For safety reasons, allow all worn out and damaged parts to be exchanged by Mantis Service or authorized specialist dealers.**

To avoid injury and damage to the mower we recommend you have your mower checked in autumn so that it is ready and safe to use next season.


#### Storage

**Store your Cordless Reel Mower in a dry, cool place where it is protected from frost. The mower should be stored out of the reach of children.**

### 9.4. Readjusting the cutting tool

The cutting tool of your Cordless Reel Mower was set at an optimum setting before leaving our factory. However, if the cut is not clean after using your mower for a longer period of time, please correct the setting of the lower blade as follows:

1. Switch off the Cordless Reel Mower and pull the battery out of the contact bar to prevent starting the Cordless Reel Mower unintentionally.
2. Push the supplied thickness gauge (fig. L pos.21) on the left hand side between one blade of the cutting cylinder and the lower blade (fig. L).
3. Turn the hexagon thread bolt (fig. L pos. 20) with a 10 mm fork wrench to the left or to the right until the thickness gauge closes slightly. Repeat this on the right hand side of the mower.
4. Turn the cutting cylinder to test the setting. None of the 5 blades of the cylinder must touch the lower blade.

 **Warning! Handle the cutting tool carefully to avoid cutting yourself. Wear appropriate gloves to protect your hands.**

5. When you have adjusted the cutting tool test it using a piece of newspaper (fig. M).



## 10. Troubleshooting

### General

Faults usually occur if the unit has not been handled, cared for or maintained properly. The following table contains the most common faults and remedies to eliminate these faults. If you have any other problems, please contact your nearest service center authorized by the manufacturer, or your nearest authorized specialist dealer.

**⚠ Caution! Repairs that require specialist knowledge must only be carried out by an authorized specialist.**

**⚠ Caution! For safety reasons, only use original spare parts supplied by the manufacturer or parts that have been authorized by the manufacturer.**

We expressly point out that in accordance with product liability laws, we are not liable for any damage caused by our units if this damage is due to improper repair or if parts exchanged are not our original parts or parts approved by us, and if the repairs were not carried out at service center authorized by the manufacturer or by an authorized specialist. The same applies to spare parts and accessories.

Fault	Possible Cause	Remedy
<b>Abnormal noise. Clattering in the unit.</b>	Motor fixing screws or mower casing loose.	Tighten screws
<b>Metal-like hammering noises.</b>	Foreign body blocking the cutting cylinder.	Turn off the mower. Pull the Battery out of the contact bar. Remove the foreign body.
<b>Motor will not start.</b>	Battery not pushed all the way in.	Harness is not flat against Battery.
	Circuit breaker has been triggered.	Wait approx. 2 – 5 minutes, then turn on the motor again.
<b>Motor turns off.</b>	Blocked by foreign body. Blocking protection activated.	Switch off the motor. Pull the Battery out of the contact bar. Remove the foreign body.
	<b>Motor turns off.</b>	The cutting height you have selected is too low; you are pushing the mower too quickly. Circuit breaker has been activated.
<b>Motor turns off.</b>	Battery power too low for cutting height.	Increase the cutting height and cut the lawn in stages or charge the battery (see chapter 9.2. "The Battery").
	<b>Yellow lawn. Cut not clean.</b>	Cutting height too low.
<b>Yellow lawn. Cut not clean.</b>	Cutting gap between cutting cylinder and bottom blade is too wide.	Readjust cutting tool (refer to section 9.4.).
	Blades are blunt or damaged.	Have the blade replaced at a Mantis Service Center or by an authorized specialist.

## 11. Instructions for correct use, safety instructions



### Checks before each operation

Inspect the unit before each use. Do not use the Cordless Reel Mower if safety devices (safety handle; safety cover) and / or the cutting cylinder are damaged or worn. Never operate the unit with the safety devices by-passed or missing.

Inspect the area of grass you are going to mow before beginning work. Remove any foreign objects (e.g. stones, branches or bones). Check the working area for foreign objects during work.

The cutting cylinder and the lower blade must be checked regularly for damage and properly repaired if necessary.

Cutting tools must only be exchanged by Mantis Service or an authorized specialist dealer.



### Proper use / Responsibility

This Cordless Reel Mower can cause serious injuries ! You are responsible for the safety of the working area.

To prevent injuries, never start the motor when the mower is tipped. Risk of injury.

Only use the Cordless Reel Mower for the purposes specified in these instructions.

Only work when visibility is good.

Guide the mower at a walking pace only.

Familiarize yourself with the surroundings of your working area. Check for possible risks which might be not audible due to the noise of the machine.

Wear sturdy shoes and long trousers to protect your legs. Keep fingers and feet away from the cutting tool.

Make sure that there are no other people (especially children) or animals anywhere near the working area.

Ensure that you have a secure foothold when working. Attention! Take extra care when walking backwards. You may stumble!

If you do come into contact with an obstacle, turn off the Cordless Reel Mower by pulling the battery out of the contact bar. Remove the object, then check the mower for damage and have it repaired if necessary.



### Interruptions of work

Never leave the Cordless Reel Mower unattended at the working area. If you interrupt your work store the mower in a safe place.

If you interrupt your work to move to another working area, always switch off your Cordless Reel Mower and pull the battery out of the contact bar.



### Check the environment

Never use the unit when it is raining or in damp or wet areas.

Do not operate your Cordless Reel Mower near swimming pools or garden ponds.

Please observe the prescribed local quiet times.

Keep the charger in a dry place.



### Notes on safety regarding the Battery/ Danger of fire

Never charge the battery after having been heated up by operation or sun. Let cool down first.

Never expose the battery to direct sunlight while charging.

Never charge the battery when connected to a 24-Volt tool.

Never charge the battery anywhere near acids and easily inflammable materials. Danger of fire!

Only use the battery with the specified tools.

Under extreme conditions, some battery acid could escape. This, however, does not represent a defect. Proceed as follows should the casing leak:

1. Immediately wash the affected area of the skin with soap and water.
2. Neutralize the battery acid with vinegar or lemon juice.
3. If battery acid should get into your eyes, rinse your eyes for at least 10 minutes with fresh water. Then contact your doctor immediately!

Do not throw the used battery into fire under any circumstances. Danger of fire!

Contacts should never be bridged with metal or other electric conducting parts. Short-circuit – fire risk!

## 12. Disposal / recycling



Ni-Cd These batteries contain



nickel/cadmium cells.

After their lifetime have expired, they may not be disposed of as normal house rubbish, but must be disposed of properly.

Please return battery to a Mantis dealer that sells the Power Unit 24-Volt System or take them to a recycling center that accepts and recycles rechargeable batteries.

## Warranty

The manufacturer warrants its products for exclusively non-commercial use for a period of 24 months from the date of original purchase. This warranty does not affect statutory warranty claims. The warranty covers all substantial faults of the product, which are caused by defects in material and workmanship. If a product exhibits such a defect we will, at our option, repair or replace it without cost for parts and labour provided the following requirements are fulfilled:

- The product must have been sold to the customer in a legally correct way.
- The original receipt with the customer's address, date of purchase, model and product designation is presented as proof of purchase.
- The product was handled properly and according to the recommendations in the operating instructions. It is essential that the product has been maintained and cleaned according to the information in

the operating instructions. No attempt to disassemble or repair the product has been made by either the buyer or an unauthorized third party.

- It must be ensured that only original replacement parts and original accessories approved by the manufacturer are used. There may be an increased risk of consequential damage and accidents if non-original parts or non-original accessories are used. This warranty does not cover consequential damages.
- The product must be either taken directly or sent with postage paid to an authorized service center. The original receipt must be sent with the product.
- The warranty does not cover damage from misuse, abuse, use of unsuitable, non-original or unauthorized interchangeable parts, replacement parts or accessories, as well as improper maintenance and cleaning.

The products contain various components that are subject to normal or use-related wear. The warranty does not extend to these wearing parts.

In particular the following components relating to this product are excluded: Blades / blade bar / drive belt / care roller / blade roller / lower blade / cutting plate / cutting line / cutting head cover / saw blade / nickel-cadmium-cell (battery) / brush / aerator cylinder.

The manufacturer warranty does not affect existing warranty claims between the customer and the dealer / seller.



---

## 4. Informations sur le mode d'emploi

Veillez lire attentivement le mode d'emploi en respectant tous les conseils ainsi que les prescriptions de sécurité fournies dans le présent manuel. Utilisez ce mode d'em-

ploi pour vous familiariser avec l'appareil, les éléments de réglage et son exploitation conforme ainsi qu'avec les prescriptions de sécurité.


**Conservez précieusement ce mode d'emploi.**


---

## 5. Utilisation conforme

La tondeuse Mantis se destine à la tonte de gazons et de surfaces d'herbe dans un jardin privé. Elle n'est pas conçue pour un usage professionnel, dans les installations publiques, parcs, centres sportifs, le long de routes ou dans le secteur agricole et forestier.

Le respect du mode d'emploi fourni par Mantis est indispensable pour une mise en œuvre correcte de l'appareil. Le manuel contient aussi des informations sur les conditions d'exploitation, de maintenance et d'entretien.

 **Attention ! En raison des risques de blessures, l'appareil ne doit pas être utilisé pour débroussailler, tailler des haies et des arbustes, couper et broyer des plantes grimpantes ou la surface gazonnée de toits ou la végétation de balcon. Par ailleurs, il ne peut s'employer pour broyer des parties d'arbre et de haie coupées ni pour aplanir le sol.**

 **Attention ! N'autorisez jamais des enfants ou des personnes n'ayant pas lu ce**

**mode d'emploi à utiliser cet appareil.**

**Ne tondez jamais pendant que des personnes, notamment des enfants, ou des animaux se trouvent à proximité.**

**Certaines dispositions légales peuvent prévoir un âge d'utilisation minimum.**

**N'oubliez pas que le conducteur de la machine ou l'utilisateur est responsable des accidents impliquant des tiers ou leurs biens.**

## 6. Montage

FR

### Contrôle d'exhaustivité

Le carton d'emballage contient les pièces suivantes :

- la tondeuse à main électrique sur batterie
- 1 batterie
- 1 partie supérieure de guidon
- 1 partie centrale de guidon
- 2 parties inférieures de guidon
- les pièces nécessaires au montage du guidon (sachet plastique)
- 1 chargeur (24 volts)
- 1 jauge d'épaisseur
- Mode d'emploi

### Montage du système de guidage

Enfoncez l'une des deux parties inférieures des barres du guidon (Fig. A pos. 1) dans l'ouverture (Fig. B pos. B1). Les arcs de la partie inférieure des barres du guidon doivent être orientés vers le centre de l'appareil.

Positionnez les trous (Fig. C pos. 6) de la partie inférieure des barres du guidon sur le boulon des barres (Fig. B/C pos. 7). Procédez de la même manière

### Protection de l'environnement, mise au rebut



L'emballage a été fabriqué avec matériaux recyclables. Débarrassez-vous de l'emballage en respectant la réglementation.

avec la deuxième partie inférieure des barres du guidon du côté opposé.



**Attention ! Ne pas forcer lors du montage.**

Enfoncez la vis de serrage du guidon (Fig. A pos. 5) dans l'ouverture du serre-câble (Fig. A pos. 8).

Montez la partie centrale des barres du guidon (Fig. A pos. 2) et les deux parties inférieures des barres du guidon comme la figure A l'indique. Pour les trous se trouvant les uns en face des autres, enfoncez la vis de serrage du guidon avec le serre-câble dans les trous. Placez la rondelle (Fig. A pos. 13) sur la vis de serrage du guidon et vissez bien les pièces avec la poignée de serrage du guidon (Fig. A pos. 4).

Prenez le haut des barres du guidon (Fig. A pos. 3) et montez-le avec la partie centrale des barres du guidon comme la

figure A l'indique. Pour les trous se trouvant les uns en face des autres, enfoncez la vis de serrage du guidon avec le serre-câble dans les trous. Placez la rondelle (Fig. A pos. 13) sur la vis de serrage du guidon et vissez bien les pièces avec la poignée de serrage du guidon (Fig. A pos. 4).

Attachez le câble en posant le serre-câble sur la partie inférieure de la barre depuis l'extérieur (Fig. A pos. 25).



**Attention ! Veillez à ne pas pincer le câble**

## 7. Mise en service

### 7.1. Réglage de la hauteur de coupe

**⚠ Attention – danger de blessures : coupez le moteur avant tout réglage de la hauteur de coupe !**

Réglez la hauteur de coupe de la tondeuse comme suit :

1. Posez la tondeuse sur un sol plat et ferme.
2. Placez-vous devant les graduations de la tondeuse (fig. D).
3. Desserrez les 2 écrous de blocage (fig. D pos. 9).
4. Avec les deux mains, réglez la hauteur de coupe souhaitée à l'aide des manettes de réglage (fig. E pos. 12) (fig. E/E1) :  
Hauteur de coupe maxi : 45 mm  
Hauteur de coupe mini : 25 - 30 mm

**Conseil :** Veillez à positionner les flèches de repérage de la hauteur de coupe (fig. E/E1 pos. 8) face à la même hauteur de coupe sur les deux graduations.

5. Resserrez bien les 2 écrous de blocage (fig. D pos. 9).

**Veillez à éviter un réglage trop bas : le couteau inférieur et le cylindre de coupe risqueraient de toucher le sol.**

### 7.2. Charge de la batterie

Pour des raisons techniques, la batterie (fig. F pos. 20) est livrée **non chargée**. Chargez-la donc impérativement avant la première utilisation.

N'utilisez, pour la charger, que le chargeur (fig. F pos. 21).

Branchez le chargeur (fig. F pos. 21) sur la prise et la fiche (fig. F pos. 22) sur la prise de charge (fig. F pos. 23) de la batterie. La

charge démarre.

Veillez à utiliser la bonne tension !

Temps de charge : environ 24 heures pour la première charge. Puis 12 à 24 heures selon le niveau de décharge de la batterie.

La batterie n'atteint ses pleines performances qu'après plusieurs charges et décharges (5 cycles environ).

**⚠ La batterie doit être exclusivement chargée avec le chargeur, qui est le seul à garantir un ajustement technique optimal entre la batterie et l'appareil de charge.**

**Toute tentative de recharge avec un autre type de chargeur peut entraîner des dommages matériels ou corporels et dégage toute responsabilité du fabricant.**

**⚠ Chargez la batterie pendant 24 heures avant la première mise en service.**

**⚠ La fiche secteur s'échauffe légèrement durant la charge.**

**⚠ Chargez la batterie seulement dans des pièces sèches, jamais en plein soleil.**

**⚠ Veillez, pendant la charge, à ce qu'aucune matière inflammable ne se trouve dans l'environnement immédiat.**

### 7.3. Raccordement de la batterie

1. Ouvrez le compartiment du harnais (fig. G pos. 13). Tenez la batterie de la main droite et tirez en même temps de la main gauche le harnais vers la gauche, pour que les extrémités du harnais reposent à plat sur la batterie (fig. H).
2. Glissez la batterie dans le rail

contact (fig. I pos. 24) jusqu'à ce qu'elle s'enclenche de façon perceptible.

3. Rangez le harnais en boucle dans le compartiment (fig. J) et fermez ensuite le couvercle (fig. J pos. 13). Ceci a pour effet de caler en même temps la batterie sur le rail contact.

### 7.4. Démarrage

**⚠ Attention : avant tout démarrage, vérifiez si un corps étranger se trouve dans le cylindre de coupe et enlevez-le le cas échéant !**

Pour démarrer la tondeuse, procédez comme suit :

1. Placez la tondeuse sur un endroit plat de la pelouse.
2. Démarrez en tenant enfoncé le bouton de déverrouillage (fig. K pos. 15) tout en tirant le contacteur (fig. K pos. 16) vers le guidon.
3. Pour arrêter le moteur, relâchez le contacteur (fig. K pos. 16).

**⚠ Les dispositifs de sécurité prévus par le fabricant ne doivent en aucun cas être modifiés ou supprimés : par exemple ne bloquez jamais le contacteur sur le guidon de sorte que la tondeuse fonctionne en continu. Vous risqueriez de vous blesser, d'autant plus que l'appareil ne s'arrêterait plus automatiquement.**

**⚠ Attention ! Le système de coupe continue de tourner quelques instants après qu'on a lâché le contacteur.**

**Au cours de l'utilisation de la tondeuse, il est normal de constater un léger échauffement de la batterie : cela est normal et ne diminue pas ses performances.**

## 8. Conseils pour tondre correctement

### 8.1. Généralités concernant l'entretien du gazon

En début de période de tonte et pour les pelouses nouvellement semées, nous conseillons une hauteur de coupe relativement importante (par exemple 45 mm), à diminuer progressivement lors des tontes suivantes. Pour une pelouse bien entretenue, réglez la hauteur de coupe à environ 25 à 30 mm.

Tondez si possible une fois par semaine. Lorsque vous tondez fréquemment, le brin d'herbe raccourci profite davantage et devient plus résistant.

Tondez la pelouse toujours lorsque l'herbe est relativement sèche. Pour une coupe nette et régulière, conduisez la tondeuse au pas, en bandes bien droites. Les bandes tondues doivent se chevaucher de quelques centimètres pour éviter des bandes de pelouse non tondues.

Tondez la pelouse pour la première fois au printemps, dès que l'herbe commence à pousser et que vous pouvez marcher dessus. Si l'herbe a trop poussé, tondez d'abord dans un sens à hauteur de coupe importante (par exemple 45 mm) puis une seconde fois mais perpendiculairement, à la hauteur de coupe souhaitée (par exemple 25 mm).

L'autonomie de la tondeuse dépend de la hauteur et de l'épaisseur d'herbe à tondre : plus l'herbe est haute et épaisse, moins la surface tondue par charge de batterie est grande.

### 8.2. Tonte

**Les lames doivent toujours être bien affûtées et en parfait état afin que l'herbe ne soit pas arrachée et ne jaunisse pas.**

Pour une tonte nette et régulière, conduisez la tondeuse à la bonne vitesse, en bandes bien droites.

**Remarque :** Vous pouvez utiliser la tondeuse en fonctionnement sur batterie ou en tant que tondeuse à main, sans batterie.


 **Attention : la rotation du cylindre de coupe peut provoquer des blessures !**

**Gardez toujours la distance de sécurité, donnée par le guidon, entre le cylindre de coupe et l'utilisateur. Pour les surfaces en pente, tondez transversalement et veillez à conserver une position sûre et stable.**

**Soyez particulièrement prudent en reculant et en tirant la tondeuse : risque de chute !**

Réglage de la hauteur de coupe : voir section Réglage de la hauteur de coupe.

### 8.3. Tonte avec bac de récupération de l'herbe

 **Pour l'accrochage du bac de récupération, le moteur doit être arrêté, l'outil de coupe immobile.**

Le bac de récupération vous évite de devoir ramasser vous-même l'herbe coupée. Il est disponible dans le commerce spécialisé. Pour obtenir un bon résultat de ramassage, l'herbe doit être bien sèche et vous devez faire avancer la tondeuse assez vite au pas.

**Conseil :** vous pouvez régler la hauteur du sac de récupération à l'aide de la courroie. Pour un bon résultat de ramassage, conduisez la tondeuse au pas, à une vitesse adaptée.

**Protection en cas de blocage / Disjoncteur thermique**

Lorsqu'un corps étranger bloque la tondeuse ou en cas de surcharge du moteur, la protection de surcharge arrête le moteur automatiquement. Retirez la batterie du rail contact. Éliminez le corps étranger ou la cause de surcharge. Redémarrez l'appareil après quelques secondes. Si le moteur s'arrête malgré l'absence de corps étrangers dans l'outil de coupe, peut-être avez-vous choisi une hauteur de coupe trop basse. Sélectionnez une hauteur de coupe plus importante, par exemple 45 mm, et tondez une seconde fois à la hauteur de coupe souhaitée.

En cas de sollicitation importante de la tondeuse pendant une période relativement longue, le moteur peut chauffer. Pour le protéger d'une surchauffe, le disjoncteur thermique arrête le moteur.

Vous pouvez redémarrer l'appareil après 2 à 5 minutes environ.




## 9. Entretien et rangement

### 9.1. Entretien


L'entretien de la tondeuse à main électrique sur batterie consiste simplement à la maintenir en bon état de marche. Pour éviter des accidents ou des pannes, vérifiez régulièrement l'état de la tondeuse (fixation des vis, fissures, endommagements) et remplacez les pièces défectueuses ou usées.

**Pour des raisons de sécurité, les réparations ne doivent être effectuées que par un service après-vente Mantis ou un revendeur agréé Mantis.**


 **Avant tout réglage ou nettoyage, arrêtez le moteur de la tondeuse et protégez-le contre tout démarrage involontaire. Pour cela, enlevez la batterie.**

### 9.2. Batterie

#### Charge de la batterie

 **Chargez la batterie exclusivement à l'aide du chargeur fourni. L'utilisation d'un autre chargeur peut provoquer des dégâts matériels et corporels. En cas d'utilisation d'un autre chargeur, Mantis décline toute responsabilité et toute garantie.**

Nous conseillons de recharger la batterie aussitôt après utilisation de la tondeuse à l'aide du chargeur fourni.

 **Important ! Ne chargez jamais la batterie si sa température est trop élevée par suite du fonctionnement de l'appareil ou d'une exposition au soleil. Laissez-la d'abord refroidir.**

**N'exposez pas la batterie directement au soleil pendant sa charge.**

**Ne chargez pas la batterie à proximité de produits ou de matières acides ou inflammables : danger d'incendie !**

**Remarque :** n'attendez pas la décharge complète de la batterie pour la recharger.

Rechargez-la dans un endroit sec comme suit :

1. Ouvrez le couvercle du compartiment du harnais (fig. J pos. 13).
2. Retirez la batterie du rail contact (fig. I pos. 24).
3. Raccordez la fiche (fig. F pos. 22) du chargeur à la prise de charge (fig. F pos. 23).
4. Branchez ensuite le chargeur (fig. F pos. 21) sur la prise de courant.
5. Pour continuer à tondre, procédez conformément au point 7.2.

#### Conseils importants :

- Protégez la prise (fig. F pos. 23) pour chargeur contre les salissures et l'humidité.
- **Si la batterie est déchargée au point de provoquer l'arrêt de la tondeuse, le temps de recharge est de 24 heures.**

Rangez toujours la batterie en hauteur, hors de portée des enfants, à l'abri du gel et de l'humidité. Evitez de l'exposer directement au soleil.

**Ne stockez jamais la batterie en la laissant raccordée à un appareil, pour éviter une utilisation non conforme et des accidents.**


Avant de ranger la batterie, veillez toujours à ce qu'elle soit, et en particulier ses éléments de contact, bien secs et propres. En cas d'encrassement, nettoyez les à l'aide d'un chiffon sec et doux, **surtout pas à l'eau courante.**

Si la batterie doit rester longtemps sans être utilisée, rechargez-la à fond avant de le ranger. Après une longue période de non-utilisation, rechargez-la à nouveau avant de la réutiliser.

### 9.3. Tondeuse à main électrique sur batterie

FR

#### Nettoyage

 **Pour éviter tout dommage corporel ou matériel, ne projetez pas d'eau sur l'appareil, surtout pas avec un jet puissant.**

Après utilisation, nettoyez la tondeuse à l'aide d'un chiffon humide. Pulvérisez une huile fluide sur le cylindre de coupe et le couteau inférieur.

#### Entretien

Une tondeuse bien entretenue ne nécessite un réaffûtage des lames qu'après plusieurs années. En raison de la technique spéciale d'affûtage, ce travail ne peut être effectué que par Mantis.

La réparation de la tondeuse ainsi que le montage des lames sont réservés à un réparateur qualifié.

**Conseil : Pour vous assurer que la tondeuse est parfaitement prête à l'emploi, vérifiez une fois encore que tous les écrous, boulons et vis sont bien serrés à fond. Par mesure de sécurité, faites changer les pièces usées ou endommagées par le service après-vente Mantis ou par un revendeur spécialisé agréé.**

Pour éviter les blessures et l'endommagement de l'appareil, nous vous conseillons de faire vérifier la tondeuse à l'automne pour qu'elle soit prête à fonctionner dès le début de la saison.


#### Rangement

**Entreposez la tondeuse dans un endroit sec, protégé du gel et inaccessible aux enfants.**

### 9.4. Réajustement du mécanisme de coupe

Le mécanisme de coupe de votre tondeuse a été réglé en usine pour un résultat parfait. Si la tonte devient moins nette après une utilisation prolongée, corrigez le réglage du couteau inférieur comme suit :

1. Éteignez la tondeuse et empêchez toute remise sous tension accidentelle en retirant la batterie du rail contact.
2. Glissez la jauge d'épaisseur (fig. L pos. 21) fournie en accessoire du côté gauche entre l'une des lames du cylindre et le couteau inférieur (fig. L).
3. A l'aide d'une clé de 10 mm, tournez l'écrou hexagonal (fig. L pos. 20) vers la droite ou la gauche, jusqu'à ce que la jauge d'épaisseur touche légèrement. Répétez l'intervention du côté droit.
4. Faites tourner le cylindre pour vérifier le réglage : aucune des 5 lames ne doit toucher le couteau inférieur.


 **Attention : la manipulation du mécanisme de coupe exige la plus grande prudence (risque de blessures) ! Portez des gants de travail appropriés pour vous protéger.**


5. Après avoir corrigé le mécanisme de coupe, faites un essai de coupe avec une feuille de papier journal (fig. M).

## 10. Dépannage

### Généralités

Les incidents se produisent en général seulement quand l'appareil n'est pas traité, entretenu et maintenu correctement. Le tableau ci-après renferme les incidents les plus courants et propose des solutions. Si les incidents ne peuvent être résolus, il est nécessaire de contacter le point de service après-vente le plus proche agréé par le fabricant ou le revendeur agréé.

 **Attention ! Les réparations qui exigent des connaissances particulières sont réservées à un spécialiste agréé.**

 **Attention ! Par mesure de sécurité, utilisez seulement les pièces originales du fabricant ou les pièces agréées par le fabricant.**

**Nous signalons expressément que la loi sur la responsabilité produit ne nous oblige pas à**

**couvrir les dommages causés par nos appareils dans la mesure où ces dommages résultent d'une réparation incorrecte, en cas d'utilisation de pièces non originales ou non agréées par le fabricant et de réparation non effectuée par le service après-vente autorisé du fabricant ou un spécialiste autorisé. Il en va de même pour les pièces complémentaires et accessoires.**

Incidents	Causes possibles	Solutions
<b>Bruits anormaux. Cliquetage sur l'appareil.</b>	Vis de fixation du moteur ou du carter desserrée.	Resserrez la vis.
<b>Bruit métallique par à coups.</b>	Un corps étranger bloque le cylindre de coupe.	Arrêtez le moteur. Retirez la batterie du rail contact. Enlevez le corps étranger.
<b>Le moteur ne démarre pas.</b>	La batterie n'est pas insérée entièrement.	Posez le harnais à plat sur la batterie.
	Le disjoncteur thermique a disjoncté.	Attendez environ 2 à 5 minutes puis redémarrez.
<b>Le moteur s'arrête.</b>	Blocage par un corps étranger. Protection en cas de blocage activée.	Arrêtez le moteur. Retirez la batterie du rail contact. Enlevez le corps étranger.
	Choix d'une hauteur de coupe trop basse ; vous avancez trop vite. Le disjoncteur thermique a disjoncté.	Sélectionnez une hauteur de coupe plus importante. Redémarrez le moteur après une pause de refroidissement de 2 à 5 minutes et baissez progressivement jusqu'à la hauteur de coupe souhaitée. Avancez moins vite en poussant la tondeuse.
	La charge de la batterie est trop faible pour une sollicitation de coupe importante.	Réduisez la sollicitation ou rechargez la batterie (voir point 9.2. Batterie).
<b>La pelouse jaunit. La coupe n'est pas nette.</b>	La hauteur de coupe choisie est trop basse.	Corrigez la hauteur de coupe.
	Trop grand espace entre le cylindre de coupe et le couteau inférieur.	Réajustez l'outil de coupe (voir point 9.4.).
	Les lames ne sont pas affûtées ou sont endommagées.	Faites changer les lames par un service après-vente Mantis ou un spécialiste agréé.

## 11. Conseils de sécurité et précautions d'emploi

### Vérifications avant toute utilisation

Avant chaque utilisation, vérifiez l'état de l'appareil. Ne l'utilisez que si tous les dispositifs de sécurité (manette de commande, capot de sécurité) et les lames sont en parfait état de fonctionnement. Ne déconnectez jamais les dispositifs de sécurité.

Vérifiez l'état de la surface à tondre avant le début du travail. Assurez-vous que la tondeuse ne risque pas de heurter un obstacle (pierre, branche, os, etc.). Écartez tout obstacle avant de la mettre en marche.

Vérifiez régulièrement si le cylindre de coupe et le couteau inférieur n'ont pas été endommagés. Faites réparer, le cas échéant.

Faites remplacer les outils de coupe en vous adressant exclusivement à un service après-vente Mantis ou à un revendeur spécialisé agréé.

### Utilisation / Responsabilité

Attention ! Cet appareil peut occasionner de graves blessures. En cas d'accident, vous seriez responsable.

Ne démarrez jamais la tondeuse en position inclinée – risque de blessures !

Utilisez l'appareil conformément à son domaine d'utilisation et à son mode d'emploi.

Travaillez uniquement dans des conditions de visibilité suffisante.

Ne conduisez la tondeuse qu'à une allure normale de marche à pied.

Observez attentivement la zone de travail. Soyez attentif aux dangers éventuels qui pourraient être masqués par le bruit de l'appareil.

Munissez-vous de chaussures résistantes et d'un pantalon long pour protéger vos jambes. N'approchez ni vos mains ni vos pieds du système de coupe.

Veillez à ce qu'aucune autre personne (en particulier un enfant) ou aucun animal ne se trouve à proximité de l'endroit où vous travaillez.

Veillez à travailler dans une position stable et sûre. Évitez de reculer pendant que l'outil fonctionne : vous risqueriez de trébucher.

Si vous rencontrez malgré tout un obstacle pendant votre travail, arrêtez la tondeuse et enlevez la batterie. Enlevez l'obstacle ; vérifiez si la tondeuse n'est pas endommagée et faites-la réparer le cas échéant.

### Interruption de travail

Ne laissez pas la tondeuse sans surveillance sur la zone de travail. Si vous interrompez votre travail, débranchez-la et rangez-la dans un endroit sûr.

Si vous interrompez votre travail pour vous rendre à un autre lieu, éteignez impérativement la tondeuse et retirez la batterie du rail contact.

### Tenez compte de l'environnement

Ne travaillez pas sous la pluie, dans une zone humide, dans ou à proximité d'une piscine ou d'un bassin.

Respectez les réglementations en matière de nuisances sonores de votre commune.

N'exposez pas le chargeur à l'humidité.

### Sécurité de la batterie et risque d'incendie

Ne chargez pas la batterie si sa température est trop élevée en

raison de son utilisation ou de son exposition au soleil. Laissez-la d'abord refroidir.

N'exposez pas la batterie directement au soleil pendant sa charge.

Détachez toujours la batterie de l'appareil 24 volts avant de la charger.

Ne chargez pas la batterie à proximité de produits ou de matières acides ou inflammables : il y a danger d'incendie !

Utilisez la batterie exclusivement avec les appareils prévus.

Dans certaines conditions extrêmes, la batterie peut fuir. Un léger écoulement ne signifie cependant pas que la batterie soit endommagée. Si du liquide s'était répandu sur la surface du boîtier, procédez comme suit :

1. Lavez immédiatement avec du savon et de l'eau claire la partie de votre peau qui a été touchée par le liquide.
2. Neutralisez l'acide de batterie avec du jus de citron ou du vinaigre.
3. Si vos yeux ont été en contact avec le liquide, rincez-les à l'eau claire pendant au moins 10 minutes. Consultez ensuite immédiatement un médecin !

Une batterie, même lorsqu'elle est usagée, ne doit pas être jetée dans un feu ou laissée à proximité de flammes : danger d'explosion !

Les éléments de contact ne doivent jamais être reliés par du métal ou toute autre pièce conductrice : risque de court-circuit et danger d'incendie !

## 12. Mise au rebut et recyclage



Ni-Cd



Ces batteries contiennent des éléments d'accumulation de type Nickel-Cadmium.

Après épuisement, elles ne doivent pas être jetées dans une poubelle ordinaire mais doivent être mises au rebut de manière appropriée ou recyclées.

FR

### Garantie

Le fabricant accorde sur ses produits exclusivement destinés à un usage privé une garantie de 24 mois (à compter de la date d'achat) qui n'affecte pas les dispositions légales. La garantie s'applique à tous les défauts majeurs tenant d'une manière démontrable à des vices de matériau ou de fabrication. Elle entraîne, à la discrétion du fabricant, la réparation du produit défectueux sans frais de pièces ou main-d'œuvre dans les conditions suivantes :

- Lors du transfert des risques, le produit a été remis sans vices juridiques.
- Un bon d'achat original avec l'adresse de l'acheteur, la date d'achat, la désignation et le modèle du produit est joint.
- Le produit a été traité de façon conforme, suivant les instructions d'emploi. Le respect des consignes d'entretien et de nettoyage contenues dans le mode d'emploi est obligatoire. Ni l'acquéreur ni un tiers non agréé n'ont tenté de

désassembler ou de réparer le produit.

- Il est essentiel que seuls des pièces de rechange et accessoires originaux ou des pièces homologuées par le fabricant aient été utilisés. En cas d'utilisation de pièces ou d'accessoires non originaux, il est impossible d'exclure des dommages consécutifs et des risques d'accidents accrus. Ces dommages ne sont pas couverts par la garantie.
- Le produit doit être remis directement ou envoyé suffisamment affranchi à un point de service après-vente agréé. Le bon d'achat original doit être joint au produit.
- Les dommages résultant d'erreurs de manipulation, d'un usage non conforme, de pièces de rechange, de remplacement et d'accessoires non originaux ou non homologués et d'une maintenance ou d'un entretien inadéquat ne sont pas couverts par la garantie.

Les produits renferment des

éléments qui s'usent au fil de l'utilisation et du temps. Ces pièces ne sont pas couvertes par la garantie.

Selon le produit, les pièces d'usure suivantes en sont exclues :

Lames / barre de coupe / courroie d'entraînement / rouleau aérateur / cylindre de coupe / contre-lame / plaque de coupe / fil de coupe / couvercle de tête de coupe / lame de scie / batterie nickel-cadmium / brosse / rouleau d'aération.

Cette garantie de fabricant n'affecte pas les droits de garantie à l'égard du distributeur ou revendeur.



---

## 4. Indicaciones al manual de instrucciones

ES

Le rogamos leer cuidadosamente las instrucciones para el empleo y observar sus indicaciones y las indicaciones de seguridad adjuntas. Familiarícese mediante

estas instrucciones para el empleo con el aparato, las piezas de regulación y el uso adecuado así como con las indicaciones de seguridad.

**Guarde estas instrucciones de uso en un lugar seguro.**


ES

---


## 5. Uso previsto

El cortacésped de Mantis está previsto para cortar césped o hierba en el ámbito doméstico del jardín de casa o de un aficionado a la jardinería y no para el uso industrial en instalaciones públicas, parques, centros deportivos, carreteras ni en explotaciones agrícolas o forestales.

Para utilizar correctamente el aparato es imprescindible seguir el manual de instrucciones de Mantis que se adjunta. El manual de instrucciones también contiene información sobre las condiciones de funcionamiento, mantenimiento y conservación.

 **¡Atención! El aparato no se debe utilizar para podar arbustos, setos ni matorrales, ni tampoco para cortar trepadoras o césped plantado sobre tejados o en fiestos, ya que existe**

**peligro de lesiones físicas. Además, el aparato no debe utilizarse como picadora para trocear desechos de la poda de árboles o setos ni para nivelar las irregularidades del suelo.**

 **¡Atención! No permita nunca que los niños u otras personas que no conozcan este manual de instrucciones, utilicen este aparato.**

**No corte el césped cuando haya cerca personas (sobre todo niños) o animales.**

**Puede que haya normativas locales que impongan una edad mínima del usuario.**

**Recuerde que el usuario es responsable de los accidentes que afecten a la integridad física o a la propiedad de otras personas.**

## 6. Montaje

### Comprobación del contenido suministrado

La caja de embalaje debe contener los siguientes componentes:

- Cortacésped
- 1 batería
- 1 pieza superior del varillaje
- 1 pieza central del varillaje
- 2 piezas inferior del varillaje
- piezas de sujeción para el varillaje en bolsa de plástico
- 1 cargador (24 voltios)
- 1 calibre de espesor
- Manual de instrucciones

### Montaje del varillaje

Introduzca una parte inferior de las varillas de guía (fig. A, pos. 1) por la abertura (fig. B, pos. B1). Los arcos de la parte inferior de las varillas de guía tienen que indicar hacia el centro del aparato. La parte inferior de las varillas de guía se introduce en los taladros (fig. C, pos. 6) sobre los pernos del varillaje (fig. B/C, pos 7). En el lado opuesto repita este proceso con la segunda parte inferior del varillaje de guía.



**¡Atención! No use fuerza durante el montaje.**



El embalaje del aparato está compuesto de material reciclable o recuperable. Entregue, por lo tanto, el embalaje del aparato y sus elementos en los Puntos o

Introduzca el tornillo de sujeción de la barra (fig. A, pos. 5) por el taladro del sujetacables (fig. A, pos. 8).

Ensamble la pieza central del varillaje de guía (fig. A, pos. 2) y .ambas partes centrales del varillaje de guía como se expone en la Fig. A, en los taladros a la misma altura introduzca el tornillo de sujeción de la barra con el sujetacables por los taladros, empuje la arandela (fig. A, pos. 13) sobre el tornillo de sujeción de la barra y con el asa de sujeción de la barra (fig. A, pos. 4) atornille las piezas con presión manual.

Tome la pieza superior del varillaje de guía (fig. A, pos. 3) y ensámblela como se expone en la fig. A con la pieza central del varillaje de guía, en los taladros a la misma altura introduzca el tornillo de sujeción de la barra con el sujetacables por los taladros, empuje la arandela (fig. A, pos. 13) sobre el tornillo de sujeción de la barra y con el asa de sujeción de la barra (fig. A, pos. 4) atornille las piezas con presión manual.

Sujete el cable insertando el sujetacables desde fuera en la parte inferior del manillar (fig. A, pos. 25).




**¡Atención! Ponga atención de no apretar el cable.**

Centros Oficiales de recogida para su reciclaje o recuperación. Los aparatos eléctricos no deben ser desechados con la basura doméstica, sino de la forma adecuada.



## 7. Puesta en servicio

### 7.1. Ajuste de la altura de corte

 **Atención: Ajuste la altura de corte siempre con el motor desconectado. En caso contrario existe peligro de lesiones.**

Para ajustar la altura de corte en el cortacésped proceda de la forma siguiente:

1. Ponga el cortacésped sobre una base firme y plana.
2. Colóquese delante de la escala de alturas de corte del cortacésped (fig.D).
3. Afloje las dos tuercas de sujeción (fig. D, pos. 9).
4. Ajuste con ambas manos la altura de corte deseada con las palancas (fig. E, pos. 12) (fig. E/E1):  
Altura de corte máxima:  
45 mm.  
Altura de corte mínima:  
20 mm.

**Nota:** Las flechas indicadoras de la altura de corte (fig. E/E1, pos. 8) deben estar en la misma posición de la escala en ambos lados.

5. Apriete de nuevo las dos tuercas de sujeción (fig. D, pos. 9).

**Nota:** La altura de corte debe graduarse de forma que en caso de irregularidades del terreno la cuchilla inferior y las cuchillas helicoidales no rocen el suelo.

### 7.2. Carga de la batería

Por razones técnicas, la batería (fig. F, pos. 20) **no está cargada**. Por ello, debe cargarse antes de la primera puesta en servicio.

Para el efecto, se debe utilizar únicamente el cargador (fig. F, pos. 21).


Introduzca el cargador (fig. F, pos. 21) en la toma y el enchufe

del cargador (fig. F, pos. 22) en el casquillo de carga (fig. F, pos. 23) de la batería. Se inicia la carga.

Compruebe que la tensión de red sea la correcta.


Tiempo de carga inicial aprox. 24 horas. Posteriormente y según el estado de descarga 12 a 24 horas.


La batería alcanza su pleno rendimiento después de varios (aprox. 5) procesos de carga / descarga.


 **La batería debe cargarse únicamente con el cargador, ya que sólo éste garantiza una óptima compatibilidad técnica entre la batería y el cargador.**


**Cuando se utilizan otros cargadores pueden producirse daños materiales y de personas.**

**La utilización de cargadores ajenos ocasiona la pérdida de la garantía y de todos los derechos a hacer efectiva una responsabilidad.**

 **Cargue la batería durante 24 horas antes de la primera puesta en servicio.**

 **Durante la carga, el enchufe del cargador se calienta un poco.**

 **Realice la carga siempre en lugares secos y a la sombra.**

 **Compruebe que no haya materiales inflamables cerca durante la carga.**


### 7.3. Conexión de la batería

1. Abra el compartimento para la correa (fig. G pos. 13). Sostenga la batería en la mano derecha mientras tira con la izquierda de la correa

hacia la izquierda, de modo que los extremos de la correa queden planos sobre la batería (fig. H).


2. Desplace la batería por el riel de contacto (fig. I, pos. 24) hasta que oiga cómo encaja.
3. Guarde la correa enrollada en el compartimento para la correa (fig. J) y cierre la tapa (fig. J, pos. 13). De este modo, bloquea a la vez la batería en el riel de contacto.

### 7.4. Arrancar

 **Atención: Antes de la puesta en marcha del cortacésped compruebe si se encuentran cuerpos extraños entre las cuchillas helicoidales y quitelos.**

Para arrancar el cortacésped proceda de la forma siguiente:

1. Ponga el aparato sobre un lugar llano del césped.
2. Para arrancar, apriete el botón de desbloqueo (fig. K, pos. 15) y manténgalo apretado; al mismo tiempo tire, con la otra mano, de la palanca de arranque (fig. K, pos. 16) hacia la empuñadura.
3. Al soltar de nuevo la palanca de arranque (fig. K, pos. 16) se desconecta el motor.

 **Los dispositivos de seguridad de origen no deben quitarse ni taparse (p.ej. atando la palanca de arranque al larguero). Esto podría causar lesiones, ya que el aparato no puede desconectarse automáticamente.**

 **¡Atención! Funcionamiento de las cuchillas por inercia.**

**La batería se calienta cuando se trabaja con el aparato. Este es un proceso normal que no afecta el rendimiento del mismo.**

## 8. Cortar correctamente

### 8.1. Observaciones generales acerca del césped

Al comienzo del período de corte y en superficies de césped nuevas recomendamos elegir una altura de corte relativamente alta (p. ej., 45 mm) y reducirla después progresivamente en los sucesivos cortes. Para conservar un césped bien cuidado la altura de corte debe ajustarse a entre 25 y 30 mm, aproximadamente.

Corte el césped cada semana, si es posible. Mediante el corte frecuente el crecimiento se concentra en los tallos de hierba cortos y los hace más resistentes.

Corte el césped siempre en seco. Para obtener un corte limpio mueva el cortacésped en franjas lo más rectas posibles y andando a paso normal. Las franjas de corte deben solaparse siempre unos centímetros para que no queden marcas sobre el césped.

Corte el césped la primera vez en primavera, en cuanto la hierba empiece a crecer y se pueda pisar. Si la hierba está demasiado alta alguna vez, córtela primero en una dirección con una altura de corte alta (p. ej., 45 mm) y después en sentido transversal con una altura más baja (p. ej., 25 mm).


La superficie de corte por una carga de la batería depende de la altura y del espesor del césped, es decir, cuanto más alto y espeso sea el césped más pequeña será la superficie de corte por carga de la batería.

### 8.2. El corte

**Nota: Sólo deben emplearse cuchillas helicoidales afiladas y en buen estado para que la hierba del césped no se vuelva amarilla y su corte sea preciso.**

Para obtener un aspecto de corte limpio conduzca el cortacésped a una velocidad adecuada en franjas lo más rectas posible.

**Nota:** El cortacésped se puede utilizar con la batería o sin la batería como cortacésped manual.


 **Precaución: Las cuchillas helicoidales en marcha pueden producir heridas.**

**Debe mantenerse siempre la distancia de seguridad entre las cuchillas helicoidales y el usuario, establecida por el varillaje de conducción. En las pendientes mueva el cortacésped siempre en sentido transversal y observe una posición firme y segura en todo momento.**

**Tenga un especial cuidado al desplazarse hacia atrás. Peligro de tropezar.**

Para cambiar la altura de corte proceda como se describe en el párrafo "Ajuste de la altura de corte".

### 8.3. Cortar el césped con la cesta colectora del pasto

 **Coloque el saco recogedor de césped sólo con el motor desconectado y las cuchillas paradas.**

Con la cesta colectora del pasto se ahorra rastrillar el césped cortado. Se puede adquirir en el comercio especializado. La condición previa para un buen resultado de colección es que el césped esté seco y que el cortacésped sea empujado a paso ligero.

**Nota:** La altura del saco recogedor de césped se puede regular mediante la cadena de suspensión. Para obtener una buena recogida de la hierba

cortada, debe conducirse el cortacésped a paso normal.

### Protección contra bloqueo / Termoprotector

En caso de bloqueo del cortacésped por un cuerpo extraño, o sobrecarga del motor, la protección de bloqueo desconecta automáticamente el motor. Saque la batería del riel de contacto. Extraiga el cuerpo extraño, o compruebe la causa de la sobrecarga, conecte el aparato otra vez después de algunos segundos. Si se desconecta el motor a pesar de no encontrarse ningún cuerpo extraño entre las cuchillas de corte, podría ser que la altura de corte elegida es demasiado baja. Ajuste una altura de corte más alta, p. ej., 45 mm, y realice el segundo corte con la altura de corte deseada.

En caso de sobrecarga del cortacésped durante largo tiempo se puede recalentar el motor.


Para protegerlo contra calentamiento, el termoprotector desconecta el aparato, que se puede volver a conectar después de aproximadamente 2 – 5 minutos.

## 9. Mantenimiento, limpieza, almacenamiento

### 9.1. Mantenimiento


El mantenimiento consiste en trabajos que procuran unas condiciones de servicio perfectas del cortacésped. Con un control periódico del atornillado, posibles fisuras y daños de cualquier tipo y la sustitución de las piezas dañadas o inservibles por el desgaste, se evitan en gran parte los accidentes y paros involuntarios del aparato.

**Las reparaciones sólo deben realizarlas los Servicios Técnicos de Mantis o los puntos de reparaciones autorizados.**


 **Antes de realizar trabajos de ajuste o limpieza se debe desconectar el cortacésped con cilindro de corte y protegerlo contra la conexión involuntaria. Para ello, desmonte la batería.**

### 9.2. La batería

#### Carga de la batería

 **Nota: La batería debe cargarse solamente con el cargador adjunto. En caso de utilizar otros cargadores se pueden producir daños personales y materiales. El uso de otros cargadores supone la pérdida de todos los derechos de reclamación y de la garantía del fabricante.**

Recomendamos que cargue la batería enseguida después del uso del cortacésped con el cargador adjunto.

 **¡Atención! No cargar la batería a temperatura de servicio elevada o cuando esté caliente. Déjela enfriar previamente.**

**Durante el proceso de carga no debe exponer la batería a radiación directa de sol.**

**No cargue nunca la batería cerca de ácidos ni de materiales inflamables. ¡Peligro de incendio!**

**Nota:** No espere a cargar la batería hasta que esté completamente descargada.

Cargue la batería en un lugar seco del modo siguiente:

1. Abra la tapa del compartimento para la correa (fig. J, pos. 13).
2. Saque la batería del riel de contacto (fig. I, pos. 24).
3. Conecte el enchufe (fig. F, pos. 22) del cargador en el casquillo de carga (fig. F, pos. 23).
4. A continuación, enchufe el cargador (fig. F, pos. 21) en la toma de la red.
5. Para poder seguir cortando, proceda como se describe en el apartado 7.2.

#### Notas:

- El enchufe de carga (fig. F, pos. 23) se debe proteger contra suciedad y humedad.
- **Si la batería está tan descargada que el cortacésped con cilindro de corte se para, tardará 24 horas en volver a cargarse.**

La batería debe guardarse en un lugar seco, elevado, no húmedo, lugar que se pueda cerrar, donde los niños no tengan acceso. Evite radiación solar directa.

**Nunca la guarde conectada a un aparato para evitar un uso indebido o accidentes.**

Asegúrese de que la superficie y los contactos de la batería siempre estén limpios y secos antes de conectarla a la unidad de carga. En caso de suciedades, límpielos con un

pañó suave, nunca bajo chorro de agua.

En caso de que deje de usar la batería durante un tiempo prolongado, cárguela por completo antes de su almacenamiento. Como una batería de NiCd está sometida a procesos de autodescarga, se recomienda efectuar una carga completa antes de volver a utilizarla después de un tiempo prolongado de almacenamiento.

### 9.3. El cortacésped

#### Limpieza

**⚠ Debido al peligro de daños personales y materiales, no debe limpiar el cortacésped bajo agua corriente, y en especial no bajo presión.**

Después del uso limpie el aparato con un trapo húmedo. Recubra las cuchillas helicoidales y la cuchilla inferior con una capa de aceite de baja viscosidad (p.ej., aceite pulverizado).

#### Mantenimiento

El realfilado de las cuchillas, que con un buen cuidado sólo es necesario después de algunos años, sólo puede ser realizado por el Servicio postventa de Mantis, debido a la técnica de afilado especial.

Las reparaciones del cortacésped y el montaje de las cuchillas de corte sólo pueden ser realizados en talleres especializados adecuados.

**Nota: Compruebe que todos los tornillos, pernos y tuercas están bien apretados y que el aparato se encuentra en un seguro estado de servicio. Por motivos de seguridad encargue el cambio de piezas gastadas y deterioradas al Servicio postventa de Mantis o a un taller**

#### especializado autorizado.

Para evitar daños personales y materiales recomendamos hacer revisar el aparato en el otoño, para que esté inmediatamente disponible al inicio de la nueva temporada.

#### Almacenamiento

**Guarde el cortacésped en un lugar seco, fresco y protegido contra las heladas, al que no tengan acceso los niños.**

### 9.4. Reajuste de las cuchillas

Las cuchillas de su cortacésped han sido óptimamente ajustadas antes de salir de nuestra fábrica. Si el corte no es limpio después de largo uso, corrija el ajuste de la cuchilla inferior de contracorte de la forma siguiente:

1. Desconecte el cortacésped y protéjalo contra la conexión involuntaria sacando la batería del riel de contacto.
2. Introduzca el calibre de espesor (fig. L, pos. 21), que se adjunta, en el lado izquierdo entre una cuchilla helicoidal y la cuchilla inferior de contracorte (fig. L).
3. Gire el tornillo hexagonal (fig. L, pos. 20) con una llave de 10 mm hacia la izquierda respectivamente hacia la derecha, hasta que el calibre de espesor roce ligeramente.

- Repita la operación en el lado derecho del cortacésped.
4. Haga girar las cuchillas helicoidales a modo de prueba; ninguna de las cinco cuchillas debe tocar la cuchilla inferior de contracorte.


**⚠ Atención: Las manipulaciones en el grupo de cuchillas deben realizarse con especial cuidado (peligro de corte). Use guantes adecuados.**


5. Después de ajustar las cuchillas haga una prueba de corte con una hoja de papel de periódico (fig. M).

## 10. Solución de averías

### Aspectos generales

Las averías sólo aparecen en la mayoría de los casos cuando el aparato no se trata, no se cuida y no se mantiene correctamente. En la tabla siguiente se recogen las averías más frecuentes y su solución. Si se dan más averías acuda al puesto de servicio autorizado por el fabricante más cercano o acuda a un distribuidor oficial autorizado.

 ¡Atención! Las reparaciones que requieran conocimientos especializados sólo deben ser efectuadas por un técnico autorizado.

 ¡Atención! Por motivos de seguridad, utilice sólo repuestos originales del fabricante o piezas autorizadas por éste.

Hacemos constar que, según la ley alemana sobre responsabilidad por productos, no nos responsabilizamos de los

daños ocasionados por nuestros aparatos si tales daños son causados por reparaciones indebidas, causados por recambios parciales en los cuales no se han usado las piezas originales del fabricante o piezas autorizadas por éste, ni tampoco si son causados por reparaciones hechas por un servicio técnico distinto al del fabricante o por técnicos no autorizados por el fabricante. Todo ello también se aplica a los accesorios.

Avería	Posibles causa	Solución
<b>Ruidos anormales.</b>	Tornillos sueltos del motor o de las fijaciones o de la carcasa.	Ajustar firmemente los tornillos.
<b>Ruidos de golpes metálicos.</b>	Un cuerpo extraño bloquea las cuchillas helicoidales.	Desconectar el aparato. Sacar la batería del riel de contacto. Extraer el cuerpo extraño.
<b>El motor no arranca.</b>	La batería no está bien encajada.	La correa no está plana sobre la batería.
	El termoprotector se ha disparado.	Esperar aproximadamente 2 – 5 minutos. Después conectar de nuevo el aparato.
<b>El motor se para.</b>	Bloqueo por cuerpos extraños. La protección contra bloqueo se ha disparado.	Desconectar el aparato. Sacar la batería del riel de contacto. Extraer el cuerpo extraño.
	La altura de corte ajustada es demasiado baja; marcha demasiado rápida. El termoprotector se ha disparado.	Después de una pausa de enfriamiento de 2 – 5 minutos cortar con una altura de corte más alta y reducirla después progresivamente hasta la altura más baja deseada. Empujar el cortacésped más despacio sobre la superficie de hierba.
	La capacidad de la batería es demasiado baja para grandes esfuerzos de corte.	Reduzca el esfuerzo o cargue la batería (vease capítulo 9.2. "La batería").
<b>El césped se vuelve amarillo. Corte impreciso.</b>	Altura de corte demasiado baja.	Aumentar la altura de corte.
	La distancia de corte entre las cuchillas helicoidales y la cuchilla inferior es demasiado amplia.	Reajustar las cuchillas (véase capítulo 9.4.).
<b>El césped se vuelve amarillo. Corte impreciso.</b>	La cuchilla está gastada o deteriorada.	Hacer cambiar las cuchillas por el servicio técnico de Mantis o por un técnico autorizado.

## 11. Indicaciones para el uso adecuado / Indicaciones de seguridad



Controles a efectuar antes de cada uso

Antes de cada uso haga un control visual del aparato. No debe utilizar el cortacésped si el mango de arranque, la tapa de protección y la barra portacuchillas estuvieran dañados o las cuchillas desafiladas. No deben anularse nunca los dispositivos de seguridad originales.

Antes de empezar a cortar, revise la superficie que vaya a cortar. Compruebe todos los elementos de corte antes de cada uso y extraiga posibles cuerpos extraños (p. ej. piedras, ramas o huesos). Durante el trabajo tenga cuidado con cuerpos extraños.

El rodillo de cuchillas y la cuchilla inferior se han de revisar periódicamente y en caso necesario reparar o sustituir.

Las herramientas de corte deben ser cambiadas por el Servicio postventa de Mantis o por talleres autorizados.



Utilización / responsabilidad

Los cortacéspedes pueden causar serios daños. Vd. es responsable de la seguridad en el área de trabajo.

No arranque nunca el cortacésped tumbado. Peligro de lesiones.

Sólo debe utilizar el cortacésped para trabajos especificados en el presente manual.

Trabaje sólo mientras exista la suficiente visibilidad.

Haga funcionar el aparato sólo a paso normal.

Familiarícese con su alrededor y fíjese en posibles peligros que posiblemente no podrá oír a

causa del ruido del motor.

Póngase calzado robusto y antideslizante y pantalones largos para proteger sus piernas.

Mantenga los dedos y pies fuera de los elementos de corte.

Mantenga a terceros (especialmente a los niños) y animales fuera del área de trabajo.

Para trabajar búsquese un sitio firme. Tenga cuidado al retroceder. ¡Peligro de caídas!

Si se choca contra un obstáculo durante el trabajo, desconecte el cortacésped. Saque la batería del riel de contacto. Elimine el obstáculo y compruebe si el aparato ha sufrido eventualmente daños. En caso necesario, hágalo reparar.



Interrupción del trabajo

No se debe dejar el cortacésped nunca en el lugar de trabajo sin vigilar. Si desea interrumpir el trabajo, guárdelo en lugar seguro.

Si interrumpe el trabajo porque quiere cambiar el lugar de trabajo, desconecte el cortacésped previamente y saque la batería del riel de contacto.



Condiciones atmosféricas

No se debe utilizar el aparato en condiciones húmedas o cuando está lloviendo.

No debe trabajarse con el cortacésped junto a piscinas o estanques.

¡Respete las horas de descanso de sus vecinos!

Proteja el cargador ante los

ambientes húmedos.



Indicaciones de seguridad para la batería / Peligro de incendio

No cargue la batería a temperatura de servicio elevada o cuando esté caliente. Déjela enfriar previamente.

No debe exponer la batería a radiación directa de sol durante el proceso de carga.

Cargue la batería sólo cuando esté desconectada del aparato de 24 voltios.

No cargue nunca la batería cerca de ácidos ni de materiales inflamables. ¡Peligro de incendio!

Utilice la batería sólo para los aparatos de conexión previstos para ello.

Bajo condiciones extremas, es posible que la batería pierda un poco de líquido. Ello no significa que hay un defecto. Proceda del modo siguiente, en caso de que la caja pierda su impermeabilidad en una situación tal:

1. Lave con agua y jabón las zonas de piel afectadas.
2. Neutralice el ácido de la batería con vinagre o zumo de limón.
3. En caso de que el líquido de la batería caiga al ojo, enjuague el ojo con agua clara durante 10 minutos como mínimo. ¡Vaya de inmediato al médico!

No tirar nunca al fuego baterías que ya no se utilicen. ¡Peligro de explosión!

Tenga cuidado de que los contactos nunca se sobrepasen con piezas metálicas o conductoras de electricidad. ¡Peligro de corto circuito – y de incendios!

## 12. Eliminación / Reciclaje



Ni-Cd



Estas baterías contienen pilas de níquel-cadmio.

con la basura doméstica sino de la forma reglamentaria.

Devuelva las baterías a un distribuidor de unidades de alimentación de 24 voltios de Mantis o póngase en contacto con un centro de eliminación de desechos que recoja baterías recargables.

ES

Cuando se acaben, no se deben eliminar

ES

## Garantía

El fabricante garantiza sus productos para el uso doméstico durante 24 meses (a partir de la fecha de compra). Esta garantía no va en detrimento de los derechos de garantía legales. Esta garantía hace referencia a todos los defectos importantes de los productos que se demuestre se deben a defectos de fabricación o del material. La garantía consiste en la sustitución por otro producto en buen estado o en la reparación gratuita del producto, lo que se considere más oportuno. Estas son las condiciones previas que deben darse:

- El producto se ha enviado según la ley en caso de transporte de mercancías peligrosas.
- Se debe adjuntar el comprobante de compra original con la dirección del comprador, la fecha de compra, el modelo y el nombre del producto.
- El producto se ha tratado correctamente siguiendo las recomendaciones de las instrucciones de uso. Es indispensable haber mantenido y limpiado el producto según las instrucciones de uso. Ni el

comprador ni terceras personas sin autorización han intentado desmontar ni reparar el producto.

- Se debe garantizar que sólo se han utilizado recambios y accesorios originales o componentes autorizados por el fabricante. Si se han utilizado piezas o accesorios no originales, no pueden excluirse daños ni un incremento del riesgo de accidentes. Estos daños no están incluidos en la garantía.
- El producto se debe llevar o enviar directamente o por correo a uno de los centros de servicio técnico autorizados. Se debe adjuntar el comprobante de compra original.
- Los daños debidos a errores del usuario, a un uso indebido, a la utilización de recambios o accesorios no originales o no autorizados, así como a trabajos de reparación y limpieza incorrectos, no se incluyen en la garantía.

Los productos incluyen distintos componentes sujetos a desgaste por el uso o por el paso del tiempo. Estos componentes sujetos a desgaste no están

incluidos en la garantía.

Según el producto, se consideran componentes sujetos a desgaste los componentes siguientes: cuchillas / barra portacuchillas / correa de transmisión / rodillo de tratamiento / cilindro portacuchillas / cuchilla inferior / placa de corte / hilo de corte / tapa del cabezal de corte / hoja de sierra / elemento de níquel cadmio (batería) / Cepillo / Rodillo ventilador.

Esta garantía del fabricante no va en detrimento de los derechos de garantía del distribuidor / vendedor.







**1028 STREET ROAD, P.O. BOX 38  
SOUTHAMPTON, PA 18966**

**[www.mantis.com](http://www.mantis.com)**

PN RM00002 1/08

## Free Manuals Download Website

<http://myh66.com>

<http://usermanuals.us>

<http://www.somanuals.com>

<http://www.4manuals.cc>

<http://www.manual-lib.com>

<http://www.404manual.com>

<http://www.luxmanual.com>

<http://aubethermostatmanual.com>

Golf course search by state

<http://golfingnear.com>

Email search by domain

<http://emailbydomain.com>

Auto manuals search

<http://auto.somanuals.com>

TV manuals search

<http://tv.somanuals.com>