

CABLELINK 757



OWNER'S MANUAL 3

BETRIEBSANLEITUNG 17

GUIDE UTILISATEUR 32

GEBRUIKSAANWIJZING 46

MARMITEK

CABLELINK75



Transmitter - Sender - Transmetteur - Zender



Receiver - Empfänger - Récepteur - Ontvanger

1. READ THIS FIRST !

Caution: to reduce risk of electric shock, do not disassemble any part of the videosender system. No user-serviceable parts are inside. If you spill liquid on it, disconnect the unit from the AC outlet to prevent possible fire or shock hazard and consult authorized service personnel.

Use only the supplied powersupplies. Defective parts must be replaced by original spareparts only.

Powerline operated equipment or accessories connected to the unit should bear the CE certification mark and should not be modified in any way that might defeat the safety features.

Your CableLink meets all European standards for EMC, Safety and Radio Frequency, however interference from other RF transmitters may occur. The range of the CableLink is at least 30 meters in an open air situation, however indoor the range is highly influenced by construction materials applied within the house.

Warning: to prevent electric shock hazard, do not expose any part of the CableLink to rain or moisture. Do not use near a bath tub, swimmingpool, etc. Disconnect the unit during thunderstorms from mains, areal socket and other connected equipment to avoid damage.

No guarantee or liability will be accepted for any damage caused due to incorrect use of the equipment supplied, other than indicated in this owner's manual.

2. The CableLink 75 system.

The CableLink system includes a transmitter and a receiver for antenna signals.

With the CableLink 75 system you can transmit audio and video signals throughout your house to a remote TV or VCR, without additional coaxial cables.

The CableLink Transmitter can be connected directly to your antenna wall socket. The Transmitter is equipped with a built in TV Tuner. This tuner can be programmed and operated remotely with the Remote Control supplied. This tuner converts the antenna signal into an audio/video signal. This A/V signal is transmitted by the unit on a 2,4 GHz frequency. The receiver is connected to your remote Television or VCR on the Scart input.

Multisource.

Additional other video equipment can be connected to the transmitter as well (e.g. VCR, DVD player or satellite receiver) .

The source required can be selected by the Remote Control supplied, even from another room.

The CableLink has a built in IR (infrared) extender to be used with your original remotes. You can also use the supplied 5in1 universal remote both locally (for your connected TV) as well as the for various equipment (e.g. DVD, VCR.etc.). connected to the Transmitter. This supplied remote is also used to select channels on the CableLink.

3. CableLink 75 Transmitter.

To operate the transmitter please use following items supplied:

- 1 CableLink 75 VideoTransmitter
- 1 Powersupply
- 1 RCA/RCA cable
- 1 Scart adaptor indicated "transmitter"
- 1 Infrared extender with 3 IR LED's
- 1 Coaxial splitter
- 1 Coaxial cable

3.1 Control Elements, Transmitter.

1. 433MHz antenna: Receives the RF signals from the IR extender built in the CableLink receiver. This allows you to operate your equipment (VCR, DVD player, etc) with your original remote or supplied remote from the location where the CableLink Receiver is used (e.g. at your remote TV). The antenna must be placed in an upward position.
2. Input jack: for the infrared extender IR LED's. Please note 5.2 for more information)
3. Antenna Input (Cable In): To connect the CableLink transmitter to the Antenna wall output (antenna of cable signal). Use antenna cable provided.
4. Audio/Video input: Input for Audio and Video signals from your DVD player, VCR, etc.
5. Audio/Video output: Signal available at the output is either the antenna signal transmitted (if transmitter is in "Cable" mode) or signal connected to the Audio/Video input [4]. (mode selected by the remote control: "CATV/AV")
6. Power input: The supplied mains adaptor is connected to this input jack.
7. Power ON/OFF: This is for switching the transmitter on and off. When switched on the LED [13] will light up.
8. 2,4 GHz Antenna. Transmits the audio/video signals to the Receiver.
9. Channel Selector: To set the 2,4GHz channel. Setting of Transmitter and Receiver should be same (A,B,C or D)
10. Source: To select between Antenna input [3] or external connected equipment [4]
11. Cable Channel Down: Channel selection of the programmed TV Channels.
12. Cable Channel Up: Channel selection of the programmed TV Channels.
13. LED Indicator: lights when unit is switched on [7].

4. CableLink 75 Receiver

To operate the Receiver please use following items supplied:

- 1 CableLink Receiver
- 1 Powersupply
- 1 RCA/RCA cable
- 1 Scart adaptor indicated "Receiver"

4.1 Control Elements Receiver.

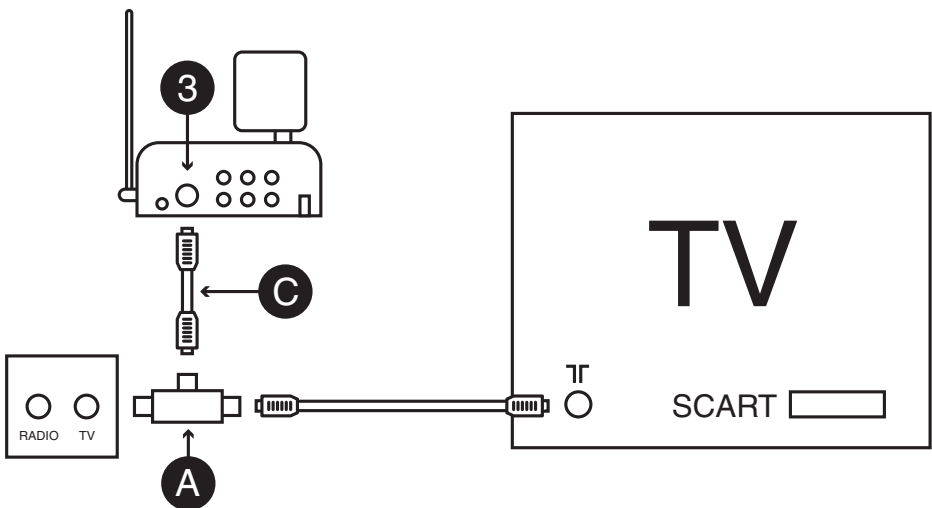
1. 433MHz antenna: Sends the RF signals from the IR extender built in the CableLink

receiver. This allows you to operate your equipment (VCR, DVD player, etc) with your original remote or the remote supplied from the location where the CableLink Receiver is used (e.g. at your remote TV). The antenna must be placed in an upward position.

2. A/V Output: Connect this output with your remote TV (or VCR) by means the supplied RCA cable and the scart adaptor.
3. Channel Selector: Channel Selector: To set the 2,4GHz channel. Setting of Transmitter and Receiver should be same (A,B,C or D).
4. Power input: The supplied mains adaptor is connected to this input jack.
5. Power switch: This is for switching the receiver on and off. When switched on, no indicator lights up.
6. 2,4 GHz Antenna. Receives the audio/video signals from the transmitter.
7. IR Window: Point your remote to this window to transmit IR commands to the equipment connected to your CableLink Receiver.

5. Installation of the system.

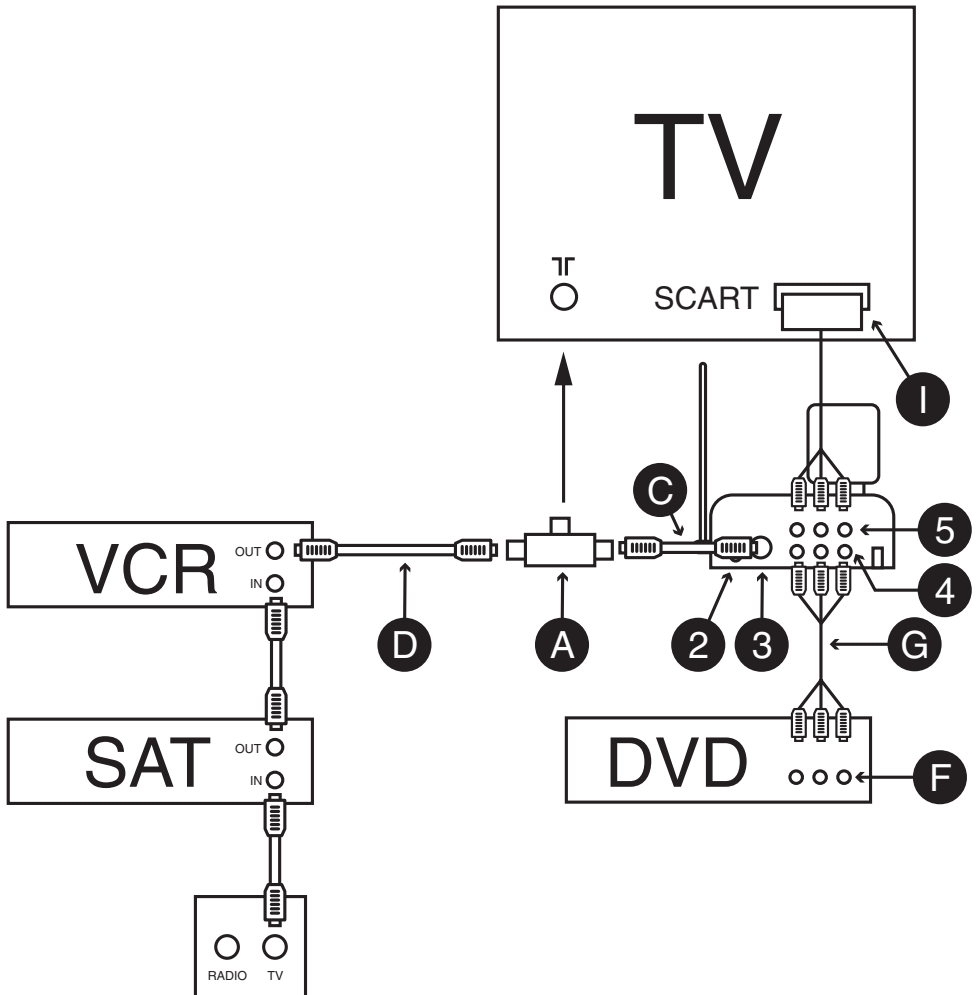
Attention: Because of technical reasons, you need to place the CableLink transmitter and receiver together when installing the system. After finishing the installation you can move the receiver to wherever you wish to connect your TV. During the installation the receiver needs to be connected to a (random) TV.



You can connect the CableLink in two different ways. Do you own a satellite receiver, VCR or DVD player? In that case, use method 5.2 to connect your CableLink. Do you not have this type of equipment? Then use method 5.1 to connect your CableLink.

5.1 Installation of the transmitter without extra equipment (such as satellite receiver, VCR or DVD player).

1. Connect the coaxial cable supplied [C] to your antenna wall socket.
2. Connect the coaxial cable to the Antenna Input [] of your CableLink Transmitter.
3. Select a channel with the Channel Selector [9] e.g. C.
4. Connect the powersupply [6]
5. Switch on the power [7]
6. Make sure the CableLink 75 transmitter is placed some distance away from other items.
Do not place the transmitter on top of your audio and/or video equipment. Direct the flat 2,4 GHz antenna [K] in the direction of the Receiver.



5.2 Installation of the transmitter with extra equipment (such as satellite receiver, VCR or DVD player).

This hook up scheme allows you to watch all sources both in the main room and the second room.

1. Connect the antenna splitter [A] to the aerial connection of your TV
2. Connect the supplied coaxial cable [C] to one side of the antenna splitter [A]
3. Connect the other end of the coaxial cable [C] to the antenna input [3] of the CableLink 75 transmitter
4. Connect the existing coaxial cable (from your Satellite receiver or VCR) to the other end of the splitter.
5. Connect the audio/video output [F] from your DVD player to the audio/video input [4] of the CableLink 75 transmitter [MultiSource function]. A RCA/RCA cable [G] is supplied.
6. Connect the audio/video output [5] of the CableLink 75 transmitter to the audio/video input (SCART) [I] of your TV. To make this connection, you can use the cable you used for connecting your DVD to your TV originally.
7. Insert the plug of the infrared extender cable to output [2] on the CableLink 75 transmitter.
8. Locate the small IR LED's on the IR sensors of the equipment connected. The IR emitters have an adhesive tape on the back side. Remove the paper protective label and affix the emitter lightly on the fascia of your equipment. It may take some adjustments to find the right location.
9. Select a channel with the Channel Selector [9].
10. Connect the power supply [6]
11. Switch on the unit with the ON/OFF switch [7].
12. Make sure the CableLink 75 transmitter is placed some distance away from other items. Do not place the transmitter on top of your audio and/or video equipment. Direct the flat 2,4 GHz antenna [K] in the direction of the Receiver.

5.3 Installation of the Receiver.

Attention: Because of technical reasons, you need to place the CableLink transmitter and receiver together when installing the system. After finishing the installation you can move the receiver to wherever you wish to connect your TV. During the installation the receiver needs to be connected to a (random) TV.

1. Connect the RCA cable with the A/V output on the CableLink receiver [2]. Take care to match the color of the plugs with the color code on the jacks of the receiver.
2. Connect the cable with your television set, use the Scart adaptor marked "Receiver" if connected on the scart input.
3. Select the corresponding channel [3] with your transmitter (set both units on e.g. "C").
4. Connect the powersupply [4]
5. Switch on the unit with the ON/OFF switch [5].
6. Direct the flat 2,4 GHz antenna [K] in the direction of the Transmitter.

Note: To receive the signals from your CableLink, switch the TV connected to your CableLink receiver (remote TV) on the A/V channel (on some TV's use channel "0"). If connected a blue screen appears if no channel is programmed on your CableLink.

5.4. 5in1 Remote Control

1. Open the battery compartment on the reverse of the remote.
2. Place 2 batteries (AAA size, not included). Note the correct polarity/position.
3. Close the battery compartment.

CableLink 75 function keys on your 5in1 Remote:

0-9	Channel selection.
CHAN+	Next Channel
CHAN-	Previous Channel
PREV.CH	Return to previous selected channel
CATV/AV	Select between CableLink internal tuner or external connected A/V equipment (e.g. DVD player)
DISP	On screen channel indication of the set CableLink channel.

NOTE: The CableLink channels are dedicated channels for the CableLink system and mostly not identical to the channels you are used to by your cable provider!

SCAN	Automatic search for channels (6.2).
CHAN ADD/DEL	Add or delete CableLink channels. To delete a stored CableLink channel (e.g. channel 30), select this channel and then press CHAN ADD/DEL. On screen the text "CATV 30 DELETED" appears. Next time you step through the channels, channel 30 will not appear. To add a new channel; press the desired channel number (e.g. 40) as
4+0	on the 0-9 keypad. Then press CHAN ADD/DEL. On screen the text "CATV 40 ADDED" appears.
SET	To add a security code (=individual code unique to your remote), if more than one CableLink systems are used within one house (read 6.4.)

For a more detailed instruction on the remote: look at Chapter 7.

6. CableLink 75 channel set up

You can program the CableLink 75 in three different ways.

Method A

By searching the entire frequency band. This is the best way to program your CableLink 75 if the TV stations are on so-called +/- channels. Also if you do not know how the TV stations in your area are transmitted, it is best to use this method. More information can be found in chapter 6.1.

Method B

By searching whole channel numbers. If you know that all stations in your area are on whole channels, you can find the quickest method in chapter 6.2.

Method C

By keying in the channel numbers. To use this method, you need a list of channels from your cable supplier. More information can be found in chapter 6.3.

6.1 Method A: scanning the complete frequency band:

NOTE: searching the complete frequency band by using method A will take about 20 minutes.

1. Press and hold the FINE TUNE + key until text on the TV screen changes to "Fine Tune +"
2. Wait until the system stops searching and displays the found TV channel
3. Press the CBL ADD/DEL key to store the found TV channel in the memory (when you press the CBL ADD/DEL key for a second time, you will delete the TV channel from the memory again).
4. Repeat steps 1 to 3 until you found all TV channels.

Note: When the TV channel you found is not tuned precisely enough, you can use the FINE TUNE – and FINE TUNE + keys to fine tune the channel by using short key presses. Press CBL ADD/DEL to store the TV channel to memory.

6.2 Method B: Automatic channel search (round channel numbers)

If you search via this method, the so-called + and - channels will be skipped.

1. Turn on the TV where the CableLink 75 receiver is connected to and select the SCART or Video input
2. Press the button labelled CBL on your remote control
3. Switch on the CableLink 75 receiver and the CableLink 75 transmitter.
4. The TV connected to the CableLink 75 receiver will (for about 20 seconds) display a blue screen with the text 'HANDSET CODE 636'. While this text is displayed, you need to press a random button on your remote (not the SET button). Aim the remote control at the front display of the CableLink 75 receiver.
5. Press SCAN
6. The TV displays "Press again to confirm"
7. Press the SCAN button again to start the automatic search. On the TV screen the text "Scanning, please wait" will appear. An upwards arrow will blink every half second. The automatic scan process will take about 1 minute.
8. As soon as the scanning is completed, the text "Scanning complete – found XYZ channels" will be displayed. The system will switch automatically to the first found TV channel.
9. With the CHAN+ and CHAN- keys, you will be able to browse through the found TV channels
10. If you want to remove a TV channel from the memory or to restore the channel into the memory again, press CBL ADD/DEL (Play key).

6.3 Method C: scanning the frequency band with the use of the CableLink 75 channel numbers

NOTE: The CableLink 75 system uses its own channel numbering. The numbers used by the CableLink system will therefore NOT correspond directly with the channel numbers on the channel overview of your Cable TV provider or the channel numbering you used with your TV or VCR.

1. Take the channel overview chart of your Cable TV provider or the terrestrial channel overview for your region with an overview of both TV channels and frequencies [MHz].
2. In the back of this owner's manual you will find a table that contains the following columns:
 - Frequency: Frequencies belonging to the TV channel
 - CableLink 75 channel nr.: CableLink 75 own channel number which will be linked to the TV channel on a certain frequency
 - Channel Name: Here you can fill in the name of the TV channel
3. Search for the frequency of the TV channel you are looking for (e.g. 471,25 MHz) on the channel overview chart of your Cable TV provider.
4. Look for the CableLink 75 channel number with a frequency which is near to the frequency you are looking for (chart in the back of this manual)
5. Look in the column CableLink 75 channel nr. Enter this number via the numeric (0..9) keyboard of the remote control.
6. Press FINE TUNE + when you search for a higher frequency. Hold the key until the text changes to "Fine tune +"
OR
Press FINE TUNE – when you search for a lower frequency. Hold the key until the text changes to "Fine tune –"
7. After a short time the TV channel will appear. Press the CBL ADD/DEL key to store the TV channel you found into the memory (press CBL ADD/DEL again if you want to remove the TV channel from the memory again).
8. Repeat steps 3 to 7 to add all TV channels to the memory of the CableLink 75

6.4. Clearing the memory (master reset)

1. Switch the CableLink 75 transmitter off and on again (by using the ON/OFF switch (7)).
2. Press the SOURCE and CHAN DOWN key (middle key) at the front of the transmitter at the same time
3. On screen the text "DELETED" will appear

7. Universal remote 5in1

The provided 5in1 remote does not only contain keys for your CableLink 75 system (read 5.4), you are also able to control your TV, VCR, DVD player and Satellite receiver with it! The remote is pre-programmed at the factory for most brands and models of equipment.

7.1. Infrared extender

Your CableLink 75 system has a built-in infrared extender. This infrared extender lets you control your VCR, DVD player and Satellite receiver, which are set up at the transmitter side, through walls and floors.

To use the infrared extender, point your remote at the infrared receiver which is located behind the window at the front of the CableLink 75 receiver. The infrared extender will also work with the original remotes of your equipment (except 400kHz infrared systems like B&O).

To use the infrared extender you must have the infrared extension cable connected to the CableLink 75 transmitter. Please see 5.2 for more details.

7.2. Button descriptions

LED indicator light

The indicator light flashes when the remote is operating

POWER

Switches your equipment ON and OFF

TV, VCR, DVD, SAT

Used to select the device to control

SET UP

Used for programming the remote

CHAN + and CHAN -

To select channels

VOL +/-

To control the volume

M

Mute key. To switch off the sound

0-9

To select channels and numbers. Also to enter device codes.

ENTER

Works as acceptance button for menu functions of your equipment

A/V

Toggles between TV and Video mode

MENU

Access the menu function of the device you are controlling (if available)

EXIT

Used to exit menu functions

Cursor keys

Used to navigate and adjust Menu items of the device you are controlling

OK

Select menu items of the device you are controlling



Fast text ON / Fast text OFF / Fast text HOLD.

INFO

Access to the on screen information of the device you are controlling

PLAY, REW, FF, STOP, PAUSE, REC

Works the same as your original remote. You must press the REC button twice to begin recording.

7.3. Set the remote control for your TV, VCR, DVD player and satellite receiver.

There are 2 ways to program the remote control for your existing devices (such as TV or DVD player).

Method A: Setting the remote control by entering the code given in the code book (supplied).

Method B: Setting the remote control by manually searching the codes.

Method A

1. Turn on the device you want to control (TV, VCR, etc.).
2. Press and hold SETUP until the LED indicator comes lights steadily. Release the SETUP button.
3. Press and release the mode for the device you want to control. The LED blinks once (TV, VCR, DVD or SAT).
4. Search for the brand of your device in the code book and enter the corresponding code. The LED turns off after the last digit entered.
5. Point the remote at the device and press the POWER button. Your device should turn off.
6. Turn your device on and press CHAN+. If the device responds, setup is complete.

Notes:

The TV key can only be used to store TV codes, but you can store a code for ANY device under either the VCR, SAT or DVD key. E.G. program your first SAT receiver under the SAT key, and your second SAT receiver under the DVD key.

If your TV, VCR or Satellite receiver does not respond, try the other codes for your brand. If it still does not respond, try the method B.

If the LED blinked rapidly when you entered the code, you may have entered an invalid code. Recheck the code in the code list and try again.

Method B

When you cannot find your device in the code list or your device does not respond after you entered the codes for your brand, you can try to find the right code by using the manual code search:

1. Turn on the device you want to control.
2. Press and hold SETUP until the LED indicator lights steadily. Release the SETUP button.
3. Press the mode button (TV, VCR, etc.) that matches the equipment you want to control. The LED blinks once.

4. Shortly press CHAN+ repeatedly until the device to be controlled changes channel. If you accidentally go past the code press CHAN – repeatedly until the channel changes again.
5. Press and release the ENTER button to complete the setup.

Note:

- In some cases you will have to press the CHAN+ button a lot (more than 50x).
- If your device does not have a Channel +/- function, you can use the POWER button. Use the PLAY button for the VCR.

7.4 Identifying codes found using the search procedure

1. Press and hold the SETUP until the LED lights steadily. Release the SETUP button.
2. Press the mode button that matches the equipment you want to identify (TV, VCR, etc.). The LED blinks once.
3. Press and release SETUP. The LED blinks once.
4. To find the first digit press each number button from 0 to 9 until the LED blinks. The number you pressed is the first digit of the code.
5. Press each number button from 0 to 9 again as above to find the second digit.
6. Press each number in turn to find the third digit. When the third digit has been found, the LED goes out.

7.5 Switch between antenna signal and audio/video source

You can connect not only an antenna signal to the CableLink transmitter but also an external audio/video source (for example a DVD player, a video recorder or a satellite receiver). You can then use the CableLink remote control to switch between the antenna signal and the external source. You do this by pressing the [A/V] key on the remote.

7.6 Changing the code of the 5in1 remote for use with the CableLink 75

Remark: It is only necessary to change the code of the 5in1 remote if another CableLink 75 system is used in your immediate neighbourhood (within 100 meters).

The default setting of the remote is "636"

To change the code of both the 5in1 remote and your CableLink 75 system:

1. Press and hold SETUP until the LED stays on
2. Press CBL
3. Enter one of the following codes:
 - 639
 - 638
 - 637
 - 636 (default)
4. Switch the CableLink 75 transmitter off and then on again (by using the ON/OFF switch (7))
5. The following on screen text will appear: "HANDSET CODE ABC PRESS "SET" TO CHANGE OR ANY OTHER KEY TO CONTINUE"
6. Press "SET". The following on screen text will appear: "PRESS AGAIN TO CONFIRM"

7. Press "SET" again
8. The screen shows the following text: "CODE XYZ ACCEPTED" (e.g. code 638 accepted)
9. Test the connection by pressing CHAN+ or CHAN-

7.7 Resetting the configuration of the remote control

You can reset the remote control to its original configuration, as follows:

1. Press the SETUP button until the LED remains on.
2. Press the STOP button twice and then press the MUTE button once.
3. The LED will go out.

8. Troubleshooting

Poor quality of all TV channels

1. Obstructions of the signal can sometimes affect the transmission quality. Move the CableLink 75 transmitter or receiver a few centimetres to solve the problem.
2. Change the channel settings (A .. D) at both the transmitter as the receiver. The channel setting on the transmitter must match the setting on the receiver (e.g. both set to B)

Poor quality of some of the TV channels

1. Check the antenna connection of the CableLink 75 transmitter. You can check the signal at the transmitter side by connecting a TV to the antenna connection directly. It is especially important to check your antenna system if high frequency channels contain more noise than lower frequency channels.
2. If the found TV channel is not tuned exact enough, use the FINE TUNE + and FINE TUNE – buttons to fine tune the TV channel. Press CBL ADD/DEL to store the new settings.

The infrared extender does not work

1. Is the infrared extension cable connected to the CableLink 75 transmitter? Are the infrared eyes attached to your equipment at the right position? Try to experiment with their location if you are not convinced of the right position on your device.
2. If you use a wireless headphone, wireless speakers or other equipment using 433,92 MHz transmission, this could affect the range of the infrared extender function dramatically. Switch of these devices to improve the range.

The remote won't control you're A/V equipment or doesn't work at all

1. Use manual controls or the original remote to confirm the equipment is working properly
2. Be sure you pressed the device key for the device you want to control
3. Re-enter the code for you're A/V product form the code listing
4. Try searching for codes by using the Manual or Automatic code search
5. Check the polarity of the batteries
6. Exchange the batteries

The remote won't work with the CableLink 75

1. The code of the remote is not matching the code setup in the CableLink system.
2. To operate the CableLink with the remote provided, you need to point it at the CableLink receiver.
3. To operate the CableLink with the remote provided, it has to be set to the CableLink mode. To set it to the CableLink mode, press the [CBL] key.
4. Using a wireless baby monitor, wireless headphones or wireless speakers that operate on the same frequency as the infrared extender of your CableLink 75 (433 MHz) will significantly decrease the range.
5. After the CableLink transmitter has been turned on, you will get a blue screen showing the text "HANDSET CODE 636 etc.". If you wait too long to confirm, the set will not automatically switch to installation mode. To access the installation mode, you will then need to turn the CableLink transmitter off and on again.

My CableLink 75 cannot find any channels

1. The automatic search method only finds what are known as "whole" channels. However, some cable networks only use + and – channels. You can find these by searching for them manually.

I do not get the blue screen on my TV

1. The CableLink receiver is attached to the Scart input on your TV. This means that the TV always has to be set to "external channel" or "audio/video" channel. The instructions for your TV will tell you how to do this.

I've programmed the channels on the CableLink but I can't switch channels

1. Read "The remote won't work with the CableLink 75"
2. The CableLink has stored the channels in the transmitter. You therefore cannot switch channels on the TV; you have to do so on the CableLink transmitter itself. The TV therefore has to always be set to the "external" or "audio/video" channel. By setting the remote to CableLink mode (using the [CBL] key), you can change the channels on the CableLink transmitter. When doing so, it is important to aim at the CableLink receiver.

I can't change the order of the channels

1. The CableLink uses a standard order for the channel numbers. You cannot change that order yourself.

I can hear the sound of the first TV on the second TV via the CableLink.

You probably connected the cable with the Scart adapter TRANSMITTER to the audio/video OUT of the CableLink transmitter. You need to use OUTPUT with the Scart adapter RECEIVER or INPUT with the Scart adapter TRANSMITTER.

LESEN SIE ZUERST DIESES!

1. ACHTUNG!

Um einen Kurzschluss zu vermeiden, darf dieses Gerät ausschliesslich in trockenen Räumen verwendet werden und darf nicht Regen oder Feuchtigkeit ausgesetzt werden. Nicht neben oder in der Nähe eines Bades, Schwimmbeckens usw. verwenden.
Das Gerät niemals öffnen. Evtl. Reparaturen nur durch fachmännisches Personal ausführen lassen.

Anmerkung:

Dieses Gerät wurde nach den CE-Richtlinien (EMC und Niederspannung) hergestellt und ist ministeriell geprüft. Obwohl Entwurf und verwendete Frequenz dafür sorgen, dass bei normaler Anwendung keine Störungen mit anderen Geräten entstehen, können Störungen bei Hochfrequenzsendern und –empfängern nie völlig ausgeschlossen werden. Sender und Empfänger haben eine Reichweite von wenigstens 30 Metern (sog. Offenes Feld). Wände und Decken zwischen Sender und Empfänger verringern diese Reichweite, je nach verwendeten Baumaterialien und Stärke.

Bei uneigentlicher Verwendung, selbst angebrachten Veränderungen oder Reparaturen, verfallen alle Garantieansprüche.

2. Beschreibung des Systems

Mit dem Marmitek CableLink 75 können Sie ein Antennensignal auf ein TV-Gerät bringen, ohne Kabel verlegen zu müssen. Der Sender des CableLink 75 kann direkt an den Antennenstecker Ihrer Wohnung angeschlossen werden. Den Empfänger des CableLink 75 schliessen Sie an den SCART-Eingang Ihres TV-Gerätes an.

MULTISOURCE

Der Sender des CableLink 75 hat auch noch Anschlüsse für zusätzliche Videogeräte wie z.B. einen Videorekorder, DVD-Spieler oder Satellitempänger. Auch diese Signale können Sie daher völlig drahtlos zu Ihrem TV-Gerät schicken. Die mitgelieferte 5in1-universelle Fernbedienung ermöglicht das Umschalten zwischen dem TV-Tuner und Ihrem DVD-Spieler, Satellitempänger oder Videorekorder. Ausserdem können Sie all diese Geräte mit der 5in1-Fernbedienung steuern.

3. CableLink 75 Sender (Transmitter)

Zum Aufstellen des Senders benötigen Sie folgende Teile:

- 1x CableLink 75 Sender (Transmitter)
- 1x Netzteil
- 1x Chinch/Chich-Kabel
- 1x Scart Adapter mit Aufkleber 'Transmitter'
- 1x Infrarot-Extenderkabel mit 3 'Augen'
- 1x Antennensplitter
- 1x Coaxkabel

3.1. Bedienungselemente

1. 433MHz-Antenne
Empfängt Signale von Fernbedienungen auf der Empfängerseite. Dies gilt sowohl für die Signale der mitgelieferten 5in1 Universalfernbedienung, als auch für Signale Ihrer Originalfernbedienungen von Videorekorder, Satellitempänger oder DVD-Spieler.
2. Anschlußstelle für das Infrarot-Extenderkabel
Auf diesen Ausgang wird das Infrarot-Extenderkabel angeschlossen (s. Punkt 5.2. für weitere Informationen).
3. Antenneneingang (Cable in)
Zum Anschliessen des Signales von Kabel-TV (CAI) oder eigenem Antennensignal (terristisch).
4. Audio/Videoeingang
Eingang zum Anschliessen eines Videorekorders, DVD-Spielers oder Satellitempängers.
5. Audio/Videoausgang
Auf diesem Ausgang steht das Signal zur Verfügung, das durch den Sender ausgestrahlt wird. Je nach aktivem Modus des Senders ist dies das Signal des eingebauten TV-Tuners oder das Signal welches auf dem Audio/Videoeingang [4] angeschlossen ist.
6. Anschluss Netzteil
Zum Anschliessen des mitgelieferten 12V Netzteil.
7. EIN/AUS-Schalter
Schalter zum Ein- oder Ausschalten des Kabeltuner-Senders. Ist der Sender eingeschaltet, leuchtet die Diode [13] auf.
8. 2,4 GHz Senderantenne
Sendet das Kabel- oder AV-Signal zum Empfänger.
9. Kanalschalter
Zum Wählen des 2,4GHz-Senderkanales (A,B,C,D). Die Wahl der Kanäle von Sender und Empfänger müssen identisch sein.
10. Wahlschalter
Mit diesem Schalter können Sie zwischen dem internen TV-Tuner und dem Signal des Audio/Video-Einganges [4] schalten.
11. Kabelkanal DOWN
Zur Wahl eines anderen TV Senders (runter)
12. Kabelkanal UP
Zur Wahl eines anderen TV Senders (rauf)
13. LED-Anzeige
Diese Anzeige leuchtet, wenn der Sender operationell ist.

4. CableLink 75 Empfänger (receiver)

Zum Aufstellen des Empfängers benötigen Sie folgende Teile:

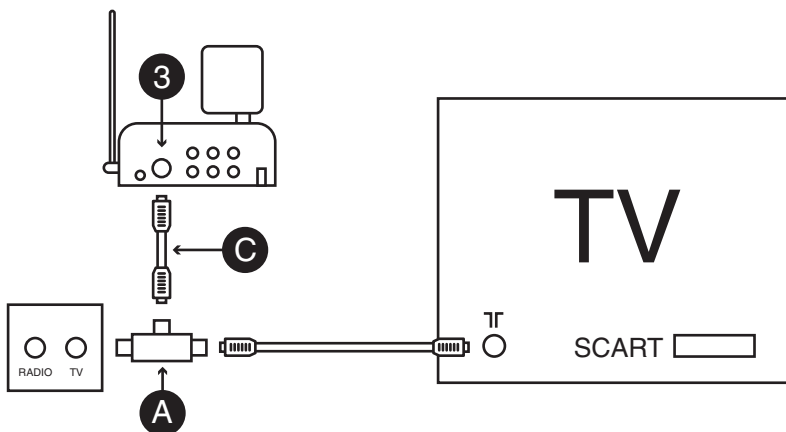
- 1x CableLink 75 Empfänger (receiver)
- 1x Netzteil
- 1x Chinch/Chinch-Kabel
- 1x Scart Adapter mit Aufkleber 'receiver'

4.1. Bedienungselemente

1. 433MHz- Antenne
Sendet Signale von Fernbedienungen, die im Raum des Empfängers verwendet werden. Dies gilt sowohl für die Signale der mitgelieferten 5in1 Universalfernbedienung, als auch für die Signale der Originalfernbedienungen Ihres Videorekorders, Satellitempfängers oder DVD-Spielers. Die Fernbedienung muss auf das Infrarotfenster des Senders gerichtet werden [7].
2. A/V-Ausgang
Über diesen Ausgang und das mitgelieferte Kabel schliessen Sie Ihr TV-Gerät an.
3. Kanalschalter
Zur Wahl des 2,4GHz Senderkanals (A,B,C,D). Der Kanal von Sender und Empfänger muss identisch sein.
4. Anschluss für das Netzteil
Zum Anschluss des mitgelieferten 12V Netzteil.
5. EIN/AUS Schalter
Schalter zum Ein- und Ausschalten des Kabeltunerempfängers. Anmerkung: Es brennt keine Kontrolllampe wenn der Empfänger eingeschaltet ist.
6. 2,4GHz Empfangsantenne
Empfängt das Kabel- oder A/V-Signal des Senders.
7. Infrarotfenster
Hinter diesem Fenster befindet sich ein IR-Empfänger für Signale von Fernbedienungen.

5. Installation des Systems

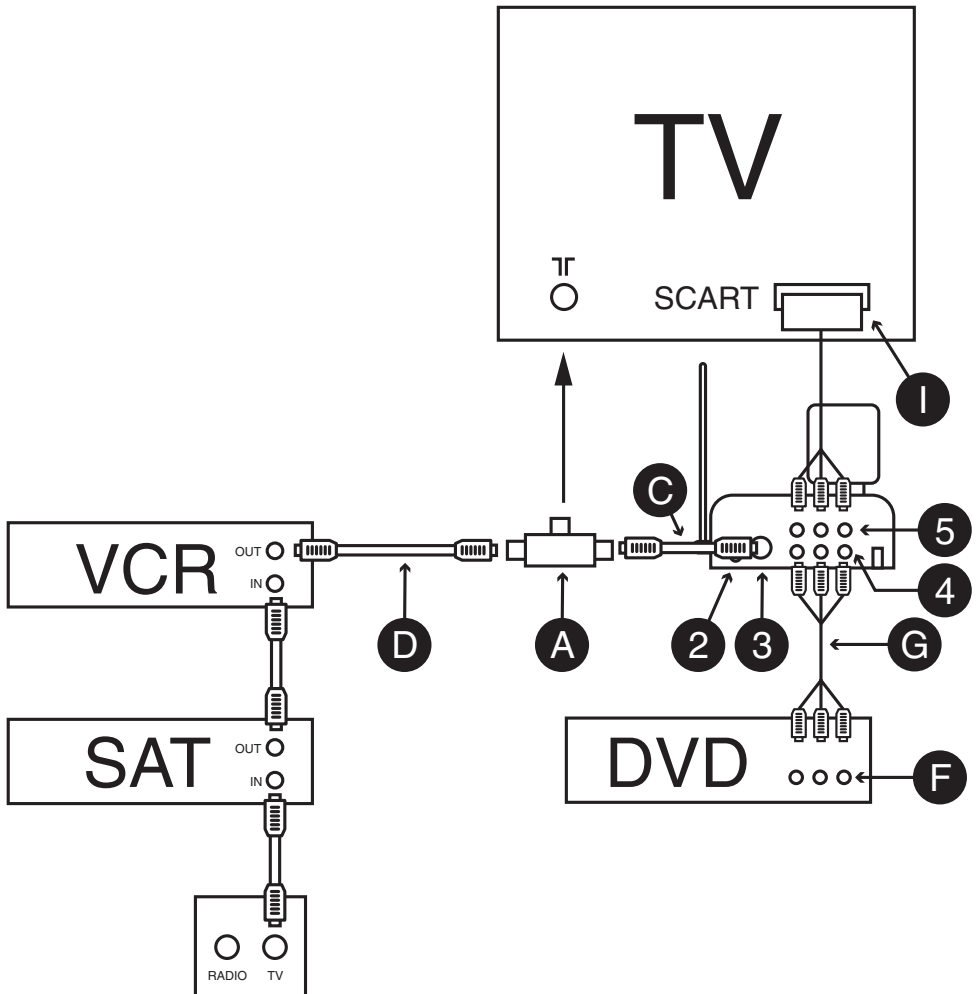
Achtung: Sie müssen den CableLink Sender und den CableLink-Empfänger während der Installation nebeneinander aufstellen. Erst nach Beendigung der Installation können Sie den Empfänger an den Ort, an dem Sie Ihren Fernseher anschließen möchten, umstellen. Ihr Empfänger muss während der Installation unbedingt an einen willkürlichen Fernseher angeschlossen sein.



Sie können den CableLink auf zweierlei Arten anschließen. Haben Sie einen Satellitenempfänger, Videorekorder oder DVD-Player? Schließen Sie den CableLink dann nach Methode 5.2 an. Sie haben diese Geräte nicht? Schließen Sie Ihren CableLink dann nach Methode 5.1 an.

5.1. Installieren des Senders ohne zusätzliche Geräte (wie Satellitenempfänger, Videorekorder oder DVD-Player)

1. Das mitgelieferte Coaxkabel [C] auf den Antenneneingang an der Wand anschliessen.
2. Das andere Ende des Coaxkabels auf den Antenneneingang [3] des CableLink 75 Senders anschliessen.
3. Den Kanalschalter [9] auf einen Kanal Ihrer Wahl einstellen, z.B. Kanal C.



4. Das Netzteil an den CableLink 75-Sender anschliessen [6].
5. Den Sender mit der ON/OFF-Taste einschalten [7]
6. Stellen Sie den CableLink 75 Sender wenn möglich frei auf. Stationieren Sie den Sender vorzugsweise nicht auf Ihren Audio- und Videogeräten. Richten Sie die Schlüsselantenne [K] mit der flachen Seite in die Richtung des Empfängers.

5.2. Installieren des Senders mit zusätzlichen Geräten (wie Satellitenempfänger, Videorekorder oder DVD-Player)

1. Stecken Sie den Antennenverteiler [A] in die Rückseite Ihres TV-Gerätes.
2. Schliessen Sie das mitgelieferte Coaxkabel [C] an den Antennenverteiler an [A].
3. Das andere ende des Coaxkabels auf den Antenneneingang [3] des CableLink 75 Senders anschliessen.
4. Verbinden sie das bereits vorhandene Coaxkabel (von Ihrem TV-Gerät oder Videorekorder) [D] mit dem Antennenverteiler {A}.
5. Verbinden Sie den A/V-Ausgang [F] des DVD-Spielers mit dem A/V-Eingang [4] des CableLink 75 – Senders (für die Multiwahlfunktion). Ein Chinch/Chinch-Kabel [G] ist mitgeliefert.
6. Verbinden Sie den A/V-Ausgang [5] des CableLink 75 – Senders mit dem A/V-Eingang (Scart-Eingang) [!] des TV-Gerätes. Verwenden Sie hierzu das Kabel, mit dem ursprünglich der DVD-Spieler an Ihr TV-Gerät angeschlossen war.
7. Den Stecker des Infrarot-Extenderkabels in den Ausgang [2] des Senders stecken.
8. Plazieren Sie die Infrarotpunkte des Extenderkabels auf die Infrarotsensoren Ihres Videorekorders, Satellitempfinders und/oder DVD-Spielers. Es ist wichtig, dass die Punkte genau vor den Infrarotsensoren angebracht werden.
9. Den Kanalschalter [9] auf einen Kanal Ihrer Wahl einstellen, z.B. Kanal C.
10. Das Netzteil an den CableLink 75-Sender anschliessen [6].
11. Den Sender mit der ON/OFF-Taste einschalten [7].
12. Stellen Sie den CableLink 75 Sender wenn möglich frei auf. Stationieren Sie den Sender vorzugsweise nicht auf Ihren Audio- und Videogeräten. Richten Sie die Schlüsselantenne [K] mit der flachen Seite in die Richtung des Empfängers.

5.3. Installieren des Empfängers

Achtung: Sie müssen den CableLink Sender und den CableLink-Empfänger während der Installation nebeneinander aufstellen. Erst nach Beendigung der Installation können Sie den Empfänger an den Ort, an dem Sie Ihren Fernseher anschließen möchten, umstellen. Ihr Empfänger muss während der Installation unbedingt an einen willkürlichen Fernseher angeschlossen sein.

1. Schliessen Sie einen Satz Chinch/Chinch Kabel an den A/V-Ausgang [2] des CableLink Empfängers (receiver) an. Achten Sie hierbei auf die Farbcodierung. Der gelbe Stecker ist für das Videosignal, der rote und der weisse sind für das Audiosignal (rechts bzw. links).
2. Schliessen Sie das andere Ende des Chinch/Chinch-Kabels auf Ihr TV-Gerät an. Besitzt Ihr

TV-Gerät einen Scarteingang, so können Sie den mitgelieferten Scartadapter verwenden (mit dem Aufkleber 'Receiver').

3. Stellen sie den Kanalschalter [3] auf den gleichen Kanal ein wie der Sender des CableLink 75 eingestellt ist (z.B. Kanal C).
4. Schliessen Sie das Netzteil an den Empfänger des CableLink 75 an [4].
5. Schalten Sie den Empfänger mit der ON/OFF-Taste ein [5].
6. Plazieren Sie den Empfänger des CableLink 75 an einer freien Stelle. Richten Sie die Schlüsselantenne [K] mit der flachen Seite in die Richtung des Senders.

Anmerkung: Um das Bild des CableLink 75 auf Ihrem TV-Gerät sehen zu können, müssen Sie das TV-Gerät nur auf den Scart- oder Videoeingang umschalten. Dies geschieht bei den meisten Geräten durch das Drücken der 0 oder A/V-Taste. Sie erhalten nun sofort das Bild (blauer Bildschirm). Das TV-Gerät braucht zum Anschliessen des CableLink 75 nie Kanäle zu suchen.

5.4. 5in1 Fernbedienung für den CableLink 75

1. Öffnen Sie das Batteriefach an der Rückseite der Fernbedienung.
2. Legen Sie 2 Stk. AAA-Batterien ein. Achten Sie hierbei auf die Polarität.
3. Schliessen Sie das Batteriefach.

Tasten zur Verwendung mit dem CableLink 75:

0-9	Sofortige Wahl der gefundenen Fernsehkanäle
CHAN+	Folgenden gespeicherten Fernsehkanal wählen.
CHAN-	Vorigen gespeicherten Fernsehkanal wählen.
PREV.CH	Zurückschalten zum letztgewählten Fernsehkanal.
CATV/AV	Zum Umschalten zwischen dem internen TV-Tuner und den an den Sender angeschlossenen Geräten (Videorekorder, Satellitempänger usw.)
DISP	Zeigt den heutigen Kanal des CableLink 75 an (das System des CableLink 75 verwendet eine eigene Kanalanzeige. Die Ziffern, die zu den Sendern gehören, stimmen NICHT mit den Ziffern überein, wie sie auf der Senderkarte Ihres Kabelanbieters oder Antennenanschlusses angegeben sind. Mehr Informationen enthält die Tabelle im hinteren Teil dieser Gebrauchsanleitung.
SCAN CH+/-	Automatisches Suchen nach Fernseh- und Kabel-TV-Sendern (s. 6.1.) Hinzufügen oder Löschen von Fernsehsendern. Fernsehsender aus dem Speicher des CableLink 75 zu entfernen: Wählen Sie den Fernsehsender der gelöscht werden soll (z.B. CableLink 75 – Kanal 30) und drücken Sie auf MEM +/- . Im Bild erscheint der Text "CATV 30 DELETED". Das nächste Mal, wenn Sie durch die Fernsehsender zappen, wird der CableLink 75 - Kanal 30 nicht mehr erscheinen. Um den Fernsehsender (erneut) zu zufügend, z.B. einen Fernsehsender auf dem CableLink –Kanal 30, so drücken Sie 3+0. Anschliessend drücken Sie auf CH+/- . Im Bild erscheint der Text: "CATV 30 ADDED".

SET Hiermit können Sie den Sicherheitscode der Fernbedienung in den CableLink 75 eingeben, wenn sie mehrere CableLink 75 – Systeme in Ihrer Wohnung verwenden (s. 6.3.)

Eine erweiterte Beschreibung der Fernbedienung finden Sie im Kapitel 7.

6. Einstellen des Systems

Sie können den CableLink 75 auf dreierlei Methoden programmieren.

Method A

Indem Sie den ganzen Frequenzbereich absuchen. Wenn die Fernsehsender sich auf so genannten +/- Kanälen befinden, dann ist das die beste Art um Ihren CableLink75 zu programmieren. Diese Methode können Sie am besten auch anwenden, wenn Sie nicht wissen, wie die Fernsehkanäle in Ihrer Gegend angeboten werden. Die Erläuterungen finden Sie in Kapitel 6.1.

Method B

Indem Sie nach ganzen Kanalnummern suchen. Wenn Sie sich sicher sind, dass sich in Ihrer Gegend alle Sender auf ganzen Kanälen befinden, finden Sie in Kapitel 6.2 die schnellste Methode.

Method C

Indem Sie die Kanalnummern eintasten. Hierzu benötigen Sie eine Übersicht Ihres Kabelanbieters. Sie finden diese Methode in Kapitel 6.3.

Anmerkung: Wenn Sie Ihre Geräte nach Punkt 5.2. angeschlossen haben (Installieren des Senders mit fest aufgestellten Geräten) müssen Sie Ihren Videorekorder und Satellitempfänger einschalten. Somit ist der CableLink 75 in der Lage das Signal des Videorekorders und des Satellitempfängers zu finden und gleichfalls im Speicher festzulegen.

6.1. Methode A: durchsuchen des gesamten Frequenzbereiches

Bitte beachten Sie: das Durchsuchen des gesamten Frequenzbereiches Ihres Antennensystems nach Methode A dauert ca. 20 Minuten.

1. Drücken Sie die Taste FINE TUNE+ und halten diese fest bis sich der Text ändert in "Fine Tune+".
2. Warten bis das System aufhört zu suchen und die gefundenen Sender anzeigt.
3. Drücken Sie die Taste MEM+/- um die gefundenen Sender zu speichern (nochmaliges Drücken der Taste MEM+/- entfernt die Sender wieder).
4. Wiederholen Sie die Schritte 1 bis 3 bis Sie alle Sender gefunden haben.

Bitte beachten: Sind die gefundenen Sender nicht genau genug abgestimmt, so können Sie durch kurzes Drücken der Tasten FINE TUNE- oder FINE TUNE+ den Sender fein abstimmen. Drücken Sie auf MEM+/- um den Sender zu speichern.

6.2. Methode B: automatische Sendersuche (ganze Kanalnummern)

Wenn Sie mithilfe dieser Methode suchen, werden die so genannten + und - Kanäle ausgelassen.

Automatisches Suchen

1. Schalten Sie das TV-Gerät ein, auf welches der CableLink 75 angeschlossen ist und wählen Sie den Scart- oder Videoeingang.
2. Drücken Sie die Taste CBL Ihrer Fernbedienung.
3. Schalten Sie nun den Sender und Empfänger des CableLink 75 ein.
4. Der Fernseher, der an den CableLink 75 Empfänger angeschlossen ist, zeigt nun (während ca. 20 Sekunden) ein blaues Bild mit dem Text "HANDSET CODE 636". Drücken Sie, während dieser Text erscheint, eine willkürliche Taste (nicht aber die SET-Taste) Ihrer Fernbedienung. Richten Sie hierbei Ihre Fernbedienung auf das Fenster an der Vorderseite des CableLink 75 Empfängers.
5. Drücken Sie auf SCAN.
6. Sie sehen nun den Text : "Press again to confirm".
7. Drücken Sie nochmals auf SCAN um den automatischen Suchlauf zu starten. Ein nach oben gerichteter Pfeil leuchtet eine halbe Sekunde auf. Der automatische Suchlauf dauert ca. 1 Minute.
8. Sobald das Scannen beendet ist, erscheint der Text "Scanning complete – found xyz-channels". Anschliessend schaltet das System auf den zuerst gefundenen Kanal.
9. Mit den Tasten CHAN+ und CHAN- können Sie nun durch die gefundenen Kanäle 'blättern'.
10. Um Kanäle des Speichers zu löschen oder diese nach dem Löschen wieder zu speichern, drücken Sie die Taste MEM+/- (play Taste).

6.3.Methode C: Suchdurchlauf des Frequenzbereiches mit den Marmitek CableLink 75 Kanalnummern.

Bitte beachten Sie: Das CableLink 75 – System verwendet eine eigene Kanaleinteilung. Die Ziffern, die zugewiesen werden, stimmen NICHT mit den Ziffern überein, wie sie auf den Kanalkarten der Kabelanbieter stehen, oder wie Sie diese verwenden bij Ihrem TV-Gerät oder Videorekorder

1. Nehmen Sie die Kanalkarte Ihres Kabelanbieters oder die Sendertabelle Ihrer Region (eigene Antenne) mit der Einteilung der TV-Sender mit den dazugehörigen Frequenzen (diese werden in MHz angegeben).
2. Im weiteren Verlauf dieser Gebrauchsanweisung finden Sie eine Tabelle, in der Sie folgende Angaben finden:
 - Frequency: Zu den Kanälen gehörende Frequenzen
 - CableLink 75 channel nr.: "Kanalnummer" die das CableLink 75 – System dem gefundenen Fernsehkanal zuteilt
 - Channel Name: Hier können Sie den Namen des Senders eintragen
3. Suchen Sie die Frequenz des TV-Senders den Sie suchen (z.B. 471,25 MHz) in der Kanalkarte Ihres Kabelanbieters.

4. Suchen Sie in der Liste den Kanal des CableLink 75, dessen Frequenz der gesuchten Frequenz am nächsten liegt.
5. Schauen Sie in der Rubrik CableLink 75 Kanal nach der Nummer. Geben Sie mit der numerischen Tastatur der Fernbedienung die CableLink 75 – Kanalnummer ein, die hier angegeben ist.
6. Drücken Sie auf FINE TUNE+ wenn Sie eine Frequenz suchen die höher liegt. Drücken Sie die Taste solange, bis der Text auf dem Bildschirm sich verändert in FINE TUNE+.
ODER
Drücken Sie auf FINE TUNE- wenn Sie eine Frequenz suchen, die niedriger liegt. Drücken Sie die Taste solange, bis der text auf dem Bildschirm sich verändert in FINE TUNE-
7. Nach kurzer Zeit erscheint der Sender. Drücken Sie die Taste MEM+/- um den gefundenen Sender zu speichern (durch nochmals die Taste MEM+/- zu drücken, können Sie den Sender wieder entfernen).
8. Wiederholen Sie die Schritte 3 bis 7 um alle Sender zu speichern.

6.4. Löschen des Speichers

1. Schalten Sie den CableLink 75 –Sender aus und wieder ein (mit dem AN/AUS-Schalter (7)).
2. Drücken Sie gleichzeitig die Tasten SOURCE und CHAN DOWN (dies ist die mittlere der drei Tasten).
3. Im Bildschirm erscheint der Text "DELETED".

7. Universalfernbedienung 5in1

Die mitgelieferte 5in1-Fernbedienung besitzt nicht nur Funktionen für Ihr CableLink 75 – System (s.5.4.), sondern Sie können auch Ihr TV-Gerät, Videorekorder, DVD-Spieler und Satellitempfänger bedienen! Die Fernbedienung ist werkseitig für die meisten Marken und Modelle vorprogrammiert.

7.1. Infrarotverlängerung

Ihr CableLink 75 – System besitzt eine eingebaute Infrarotverlängerung, so dass Sie von der Stelle wo Sie fernsehen, Ihren Videorekorder, usw. die auf der Seite des CableLink Senders plaziert sind, bedienen können. Hierzu richten Sie die Fernbedienung auf den Infrarotempfänger, der sich hinter dem Fenster an der Vorseite des CableLink 75 Empfängers befindet. Dies gilt sowohl für die mitgelieferte 5in1-Fernbedienung, als auch für die Originalfernbedienungen Ihrer Geräte (mit Ausnahme von 400 KHz Infrarot, z.B. B&O).

Um die Funktion der Infrarotverlängerung benutzen zu können, müssen Sie das Infrarot-Extenderkabel auf den CableLink 75 –Sender anschliessen. (s. 5.2. für mehr Informationen).

7.2. Beschreibung der Tasten

LED-Anzeige

Die LED-Anzeige brennt, wenn die Fernbedienung aktiv ist.

POWER

Schaltet Ihre Geräte EIN oder AUS.

TV, VCR, DVD, SAT

Mit diesen Tasten wählen Sie das Gerät, welches Sie bedienen wollen.

SET UP

Wird für das Einstellen der Fernbedienung benutzt.

CHAN+/-

Für die Senderrwahl

VOL+/-

Zur Regelung der Lautstärke

M

Mute-Taste. Zum Ausschalten des Tones.

0-9

Zur Senderrwahl. Auch zum Eingeben der Gerätecode beim Einstellen der Fernbedienung.

ENTER

Funktioniert als Bestätigungstaste für Menüfunktionen Ihrer Geräte.

A/V

Schaltet zwischen TV und Video

MENU

Aktiviert das Menü des Gerätes, das Sie bedienen (wenn vorhanden).

EXIT

Schliesst das Menü des Gerätes, welches Sie bedienen.

Cursortasten

Zum Navigieren und Einstellen von Menüteilen des Gerätes welches Sie bedienen.

OK

Zur Wahl von Menüteilen des Gerätes welches Sie bedienen.

Teletext AN / Teletext AUS / Teletext HOLD

Setzt die aktuelle Seite fest.

INFO

Schaltet die Bildschirminformation des Gerätes welches Sie bedienen ein oder aus.

PLAY, REW, FF, STOP, PAUSE, REC

Funktioniert gleich wie Ihre eigene Fernbedienung. Sie müssen die REC-Taste zweimal eindrücken um das Aufnehmen zu starten.



7.3. Die Fernbedienung für Ihren TV, Videorekorder, DVD-Player und Satellitenempfänger gebrauchsfähig machen.

Es gibt 2 Methoden, um die Fernbedienung für Ihre bestehenden Geräte (wie TV oder DVD Player) einzustellen.

Methode A

Die Fernbedienung gebrauchsfähig machen, indem Sie einen Code aus dem mitgelieferten Codebuch eingeben.

Methode B

Die Fernbedienung gebrauchsfähig machen, indem Sie die Codes manuell suchen.

Methode A

1. Schalten Sie das Gerät ein welches Sie bedienen wollen (TV, VCR usw.)
2. Drücken Sie die SETUP-Taste bis die LED-Anzeige anleibt. Lassen Sie die SETUP-Taste wieder los.
3. Drücken Sie die Funktionstaste, die mit dem Gerätetyp übereinstimmt welches Sie bedienen wollen (TV, VCR, DVD oder SAT).
4. Suchen Sie im beigegeführten Codebuch die Marke Ihres Gerätes auf, und geben Sie daraufhin den dazugehörenden Code ein.
5. Richten Sie die Fernbedienung auf das Gerät und drücken sie die POWER-Taste. Ihr Gerät muss sich nun einschalten.
6. Schalten Sie Ihr Gerät ein und drücken auf CHAN+. Reagiert das Gerät, so ist die Einstellung abgeschlossen. Wenn nicht alle Tasten funktionieren, so müssen Sie die anderen Code aus der Codebibliothek für Ihre Marke ausprobieren.

Anmerkungen:

Für das TV-Gerät verwenden Sie die Taste TV. Für die anderen Geräte aus der Codebibliothek können Sie selbst wählen ob Sie die VCR, SAT oder DVD-Taste nehmen. Somit können Sie die Fernbedienung auch z.B. für zwei Satellitenempfänger benutzen. Den ersten programmieren Sie dann unter SAT und den zweiten z.B. unter DVD.

Reagiert Ihr TV-Gerät, Videorekorder oder Satellitenempfänger nicht, versuchen Sie dann die anderen Code für Ihre Marke. Funktioniert auch dies nicht, versuchen Sie dann die Methode B.

Blinkt die LED-Anzeige schnell wenn Sie den Code eingeben, so kann es sein, dass Sie einen ungültigen Code benutzen. Suchen Sie den Code erneut ist der Liste und versuchen Sie es erneut.

Methode B

Können Sie für Ihr Gerät keinen Code in der Liste finden, oder reagiert Ihr Gerät nicht auf den eingegebenen Code, so können Sie versuchen, um die Marmitek 5in1-Fernbedienung für Ihr Gerät einzustellen, durch das automatische Suchen nach dem richtigen Code:

1. Schalten Sie das Gerät ein welches Sie bedienen wollen.
2. Drücken Sie die Taste SETUP bis die LED-Anzeige brennen bleibt. Lassen Sie die SETUP-Taste wieder los.

3. Drücken Sie die Funktionstaste (TV, VCR usw.) die mit dem Gerätetyp übereinstimmt welches Sie bedienen wollen. Die LED-Anzeige blinkt einmal.
4. Drücken Sie solange kurz auf die Taste CHAN+ bis das Gerät den Sender ändert. Sollten Sie einen Schritt zu weit gegangen sein, so können Sie einfach zurückgehen, indem Sie auf CHAN- drücken.
5. Drücken Sie die Taste ENTER um die Installation abzuschliessen.

NB:

- Es kann sein, dass Sie die Taste CHAN+ oftmals drücken müssen (über 50x).
- Wenn Ihr Gerät keine Kanal+/- Funktion hat, verwenden Sie dann die POWER-Taste. Bei einem Videorekorder verwenden Sie die PLAY Taste.

7.4. Identifizierung der gefundenen Code:

1. Drücken Sie die SETUP-Taste bis die LED-Anzeige brennt. Lassen Sie die Taste wieder los.
2. Drücken Sie die Funktionstaste des Gerätes von welchem Sie den Code identifizieren wollen (TV, VCR usw.). Die LED-Anzeige blinkt einmal.
3. Drücken Sie auf SETUP. Die LED-Anzeige blinkt einmal.
4. Um die erste Ziffer zu finden, drücken Sie auf die Tasten 0-9 bis die LED-Anzeige blinkt. Die Ziffer, die Sie als letztes gedrückt haben, ist die erste Ziffer des Code.
5. Drücken Sie die Tasten von 0-9 wie beschrieben, um die zweite Ziffer des Code zu finden.
6. Drücken Sie die Tasten von 0-9 um die dritte Ziffer zu finden. Ist die dritte Ziffer gefunden, erlösch die LED-Anzeige.

7.5. Umschalten zwischen Antennensignal und Audio/Video-Signalquelle

Am CableLink Sender kann neben dem Antennensignal auch eine externe Audio/Video Signalquelle angeschlossen werden (z.B. ein DVD-Spieler, Videorecorder oder Satellitenempfänger). Mit der CableLink Fernbedienung kann zwischen dem Antennensignal und dieser externen Signalquelle umgeschaltet werden, indem Sie die Taste [AV] auf der Fernbedienung drücken.

7.6. Ändern des Code der 5in1 Fernbedienung zur Verwendung mit dem CableLink 75

Anmerkung: Sie brauchen den Code der CableLink 75 – Fernbedienung nur dann zu ändern, wenn in Ihrer direkten Umgebung (ca. 100 m) mehrere CableLink Systeme verwendet werden.

Die Grundeinstellung der Fernbedienung ist "636".

Den Code der 5in1-Fernbedienung und des CableLink 75 ändern Sie wie folgt:

1. Drücken Sie auf SETUP bis die LED-Anzeige brennen bleibt.
2. Drücken Sie die CBL-Taste.
3. Geben Sie einen der 4 möglichen Code ein:
639
638
637
636 (Werkseinstellung)

4. Schalten Sie den CableLink 75 – Sender aus und wieder ein (mit dem AN/AUS Schalter (7)).
5. Folgender Text erscheint: "HANDSET CODE ABC PRESS "SET" TO CHANGE OR ANY KEY TO CONTINUE".
6. Drücken Sie auf "SET". Folgender Text erscheint: "PRESS AGAIN TO CONFIRM".
7. Drücken Sie nochmals auf "SET".
8. Der Bildschirm zeigt folgendes an: "CODE XYZ ACCEPTED" (z.B. Code 638 akzeptiert).
9. Testen Sie die Funktion durch die Tasten CHAN+ oder CHAN- zu drücken.

7.7 Die Einstellungen der Fernbedienung in die Fabrikseinstellung zurückversetzen.

Sie können auf nachfolgende Weise die Einstellungen der Fernbedienung wieder in die Fabrikseinstellung zurückversetzen.

1. Drücken Sie die SETUP-Taste, bis die LED dauernd leuchtet.
2. Drücken Sie 2 x auf die STOP-Taste und dann 1 x auf die MUTE-Taste.
3. Die LED erlöscht.

8. Problemlösungen

Die Bildqualität aller Sender ist schlecht

1. Manchmal können Signalreflektionen die Qualität des Signals beeinflussen. Verschieben Sie den Sender oder Empfänger des CableLink 75 um einige Zentimeter um das Problem zu lösen.
2. Ändern Sie die Kanaleinstellung (A bis D) sowohl auf dem Sender als auch dem Empfänger. Die Kanaleinstellung muss bei beiden Geräten gleich sein.

Die Bildqualität einiger Sender ist schlecht

1. Untersuchen Sie, ob das Antennenkabel welches auf den CableLink 75 angeschlossen ist in Ordnung ist. Sie können das Signal kontrollieren, indem Sie statt des CableLink 75 Sender ein TV-Gerät direkt an den Antennenanschluss anschliessen. Kontrollieren Sie Ihr Antennensystem vor allem wenn Sie merken, dass vor allem die Sender mit einer hohen Frequenz (hohe Kanäle) sehr rauschen.
2. Wenn der gefundene Sender nicht genau abgestimmt ist, so können Sie durch drücken der Tasten FINE TUNE- oder FINE TUNE+ den Sender genau einstellen. Drücken Sie die MEM+/- Taste um den Sender zu speichern.

Die Infrarotverlängerung funktioniert nicht

1. Ist das Kabel des Infrarotextender s auf den Sender des CableLink 75 angeschlossen? Wurden die Infrarotpunkte direkt vor dem Infrarotempfänger Ihres Gerätes geklebt? (Verschieben Sie bei Zweifel die Position der Infrarotpunkte).
2. Wenn Sie einen drahtlosen Kopfhörer, drahtlose Lautsprecher oder ein drahtloses Babyphone verwenden welche die gleiche Frequenz besitzen wie die Infrarotverlängerung Ihres CableLink 75 (433MHz), so wird dies die Reichweite wesentlich verringern.

Mit der Fernbedienung sind die Geräte nicht zu bedienen, oder funktionieren total nicht

1. Verwenden Sie die Originalfernbedienung oder bedienen Sie die Geräte von Hand um festzustellen, ob die Geräte gut funktionieren.
2. Achten Sie darauf, dass die Funktionstasten (TV, VCR usw.) von demjenigen Gerät gedrückt wurden welches Sie bedienen wollen.
3. Versuchen Sie den Code Ihres Gerätes zu finden, indem Sie die Methode „Codesuche von Hand“ oder „automatische Codesuche“ benutzen.
4. Kontrollieren Sie die Polarität der Batterien (+/-).
5. Wechseln Sie die Batterien.

Die Fernbedienung funktioniert nicht mit dem CableLink 75

1. Der Code der Fernbedienung stimmt nicht mit dem Code des CableLink überein. Beachten Sie Punkt 7.6. um den Code in der Fernbedienung und im CableLink 75 System richtig einzustellen.
2. Um den CableLink mit der mitgelieferten Fernbedienung zu steuern, muss die Fernbedienung auf den CableLink Empfänger gerichtet werden.
3. Um den CableLink mit der mitgelieferten Fernbedienung zu steuern, muss diese auf dem Modus CableLink stehen. Auf diesen Modus können Sie schalten, indem Sie die Taste [CBL] drücken.
4. Wenn Sie einen schnurlosen Kopfhörer, schnurlose Lautsprecher oder ein schnurloses Babyfon verwenden, das mit der gleichen Frequenz funktioniert wie die Infrarotverlängerung Ihres CableLink 75 (433 MHz), wird hierdurch die Reichweite erheblich verringert.
5. Nachdem der CableLink Sender eingeschaltet wurde, erscheint die blaue Anzeige mit dem Text "HANDSETCODE 636 etc.". Wenn Sie zu lange mit der Bestätigung warten, schaltet das Gerät nicht automatisch auf den Installationsmodus. Schalten Sie den CableLink Sender hierfür erneut aus und wieder ein.

Mein CableLink 75 kann keine Kanäle finden

1. Bei Verwendung des automatischen Suchlaufs werden nur sogenannte "ganze" Kanäle gefunden. In manchen Kabelnetzen werden jedoch nur + und – Kanäle verwendet, die Sie dann von Hand suchen müssen.

Ich bekomme keine blaue Anzeige auf mein Fernsehgerät

1. Der CableLink Empfänger ist an den Scart-Eingang Ihres Fernsehgerätes angeschlossen. Das bedeutet, dass das Fernsehgerät immer auf den 'externen Kanal' oder 'Audio/Video'-Kanal geschaltet sein muss. In der Gebrauchsanleitung Ihres Fernsehgerätes ist beschrieben, wie hierfür vorzugehen ist.

Ich habe die Sender auf dem CableLink programmiert, aber ich kann nicht zappen

1. Siehe bei "die Fernbedienung funktioniert nicht mit dem CableLink 75".
2. Der CableLink hat die Kanäle im Sender gespeichert. Sie können daher nicht am

Fernsehgerät zappen, sondern nur am CableLink Sender selbst. Das Fernsehgerät bleibt also immer auf dem 'externen' oder 'Audio/Video'-Kanal stehen. Wenn Sie die Fernbedienung auf CableLink-Modus stellen (über die [CBL]-Taste), können Sie die Kanäle auf dem CableLink-Sender verändern. Hierbei ist es wichtig, dass Sie auf den CableLink-Empfänger richten.

Ich kann die Reihenfolge der Sender nicht verändern

1. Der CableLink benutzt die Kanalnummer-Einteilung, wie sie standardmäßig gespeichert ist. Diese Reihenfolge kann nicht geändert werden.

Ich höre den Ton des ersten Fernsehers über den CableLink auf dem zweiten TV.

Sie haben wahrscheinlich beim CableLink Sender an den Audio/Video OUTPUT das Kabel mit Scart-Adapter TRANSMITTER angeschlossen. Sie müssen aber entweder den OUTPUT mit Scart-Adapter RECEIVER anzuwenden oder den INPUT mit Scart-Adapter TRANSMITTER.

1. A lire avant de commencer!

Attention: pour réduire les risques de choc électrique, n'ouvrez aucun des composants du CableLink 75. Si vous renversez du liquide sur les appareils ou si ceux dégagent une fumée ou une odeur de brûler, débranchez les immédiatement du secteur et consultez votre service après-vente.

Utilisez uniquement les blocs d'alimentation fournis. Toutes pièces défectueuses doit être remplacées par des pièces d'origine.

Les équipements ou accessoires utilisés avec votre CableLink 75 doivent être certifiés CE (étiquette CE sur l'appareil) et ne doivent en aucun cas être modifiés.

Votre CableLink répond aux exigences des standards Européens en ce qui concerne la sécurité électrique, la radio et la CEM, toutefois des interférences provenant d'autres transmetteurs radio peuvent perturber son fonctionnement. La distance de fonctionnement de votre CableLink est au minimum de 30 mètres en champs libre, cependant la distance de fonctionnement est fortement influencée par les matériaux utilisés dans votre maison.

Attention: pour éviter tous risques de choc électrique, n'exposez pas le CableLink 75 à la pluie ou à l'humidité. Ne l'utilisez pas près d'une baignoire, une piscine, etc. Pendant un orage, débranchez l'appareil du secteur, de la prise d'antenne ou de tout autre équipement qui lui serait relié.

Aucune garantie ou responsabilité ne sera acceptée en cas d'utilisation non conforme aux indications de cette notice.

2. Le système CableLink 75.

Le système CableLink comprend un transmetteur et un récepteur pour signaux d'antenne. Avec le système CableLink 75 vous pouvez transmettre des signaux audio et vidéo à travers votre maison à une télévision ou un magnétoscope distant sans l'aide de câbles coaxiaux.

Le transmetteur CableLink 75 se connecte directement à la prise d'antenne murale de votre maison. Le transmetteur est équipé d'un Tuner TV. Ce Tuner peut être programmé et commandé à distance à l'aide de la télécommande fournie. Ce Tuner convertit le signal provenant de l'antenne en signal audio/vidéo qui est ensuite transmis sur une fréquence de 2,4 GHz. Le récepteur CableLink 75 reçoit ce signal de 2,4 GHz, le décode et transmet le signal audio/vidéo ainsi obtenu à la télévision ou au magnétoscope auquel il est raccordé par la prise PERITEL.

Multisource.

D'autres équipements vidéos peuvent aussi être raccordés au transmetteur (VCR, lecteur DVD ou décodeur satellite) . La source choisie peut être sélectionnée, grâce à la télécommande fournie, même à partir d'une autre pièce.

Le CableLink 75 possède une extension infrarouge que vous pouvez utiliser avec vos télécommandes originales.

Vous pouvez aussi utiliser la télécommande universelle 5en1 fournie de manière à commander votre télévision locale aussi bien que les différents équipements (DVD, VCR) reliés au transmetteur. Cette télécommande est aussi utilisée pour choisir et programmer les canaux du CableLink 75.

3. Transmetteur CableLink 75.

Pour faire fonctionner le transmetteur, utilisez les éléments suivants:

Transmetteur CableLink 75

1 bloc d'alimentation

1 câble RCA/RCA

1 adaptateur PERITEL étiqueté "transmitter"

1 câble d'extension infrarouge comprenant 3 LEDs infrarouges

1 répartiteur coaxial en T

1 câble coaxial

3.1 Élément de contrôle du Transmetteur.

1. Antenne 433MHz : reçoit les signaux radio en provenance du convertisseur Infrarouge/radio intégré au récepteur CableLink. Ceci vous permet de pouvoir commander votre transmetteur CableLink et les équipements qui lui sont associés (DVD, magnétoscope, ...) de l'endroit où est placé votre récepteur (télé déportés) à l'aide des télécommandes originales ou de la télécommande fournie.
L'antenne doit être placée verticalement.
2. Prise jack: Permet de relier le câble d'extension infrarouge. (Voir § 5.2 pour plus d'information)
3. Entrée antenne: Reliez cette entrée du transmetteur CableLink 75 à votre antenne en utilisant le câble coaxial fourni.
4. Entrées audio/vidéo: Entrées audio/vidéo à relier aux sorties audio/vidéo de votre DVD, VCR, etc...
5. Sortie audio/vidéo: Le signal disponible en sortie est soit le signal provenant de l'antenne (Mode câble sélectionné) soit le signal provenant des entrées audio/vidéo [4] (mode AV sélectionné). Le mode peut être sélectionné grâce à la touche "CATV/AV" de la télécommande
6. Entrée alimentation: Reliez l'adaptateur secteur à cette prise.
7. Power ON/OFF: Cet interrupteur permet de mettre en ou hors service le transmetteur. En service le voyant rouge [13] s'éclaire.
8. Antenne 2,4 GHz: Transmet les signaux audio/vidéo au récepteur.
9. Choix des canaux de transmission: Permet de choisir le canal de transmission 2.4 GHz. Le transmetteur et le récepteur doivent être réglés sur le même canal (A,B,C ou D).
10. Source: Permet de choisir entre l'entrée antenne [3] ou les équipements reliés aux entrées audio/vidéo [4]
11. Cable Channel Down: choix de la chaîne TV (Programme +).
12. Cable Channel Up: choix de la chaîne TV (Programme -).
13. Voyant: Le voyant s'allume à la mise sous tension [7].

4. Récepteur CableLink 75

Pour faire fonctionner le récepteur, utilisez les éléments suivants:

- 1 récepteur CableLink 75
- 1 bloc secteur
- 1 câble RCA/RCA
- 1 adaptateur PERITEL étiqueté "Receiver"

4.1 Élément de contrôle du récepteur.

1. Antenne 433MHz: Transmet les signaux radio provenant du convertisseur Infrarouge/radio intégré au récepteur CableLink. Ceci vous permet de pouvoir commander votre transmetteur CableLink 75 et les équipements qui lui sont associés (DVD, magnétoscope, ...) de l'endroit où est placé votre récepteur (télé déportés) à l'aide des télécommandes originales ou de la télécommande fournie. L'antenne doit être placée verticalement.
2. Sorties AV: Reliez ces sorties à votre téléviseur (ou magnétoscope) déporté en utilisant le câble RCA et l'adaptateur PERITEL.
3. Choix des canaux de transmission: Permet de choisir le canal de transmission 2.4 GHz. Le transmetteur et le récepteur doivent être réglés sur le même canal (A,B,C ou D).
4. Entrée alimentation: Reliez l'adaptateur secteur à cette prise
5. Power ON/OFF: Cet interrupteur permet de mettre en ou hors service le transmetteur.
6. Antenne 2,4 GHz: Reçoit les signaux audio/vidéo en provenance de l'émetteur.
7. Fenêtre Infrarouge: Dirigez votre télécommande vers cette fenêtre de manière à pouvoir commander votre CableLink ainsi que les équipements qui lui sont raccordés.

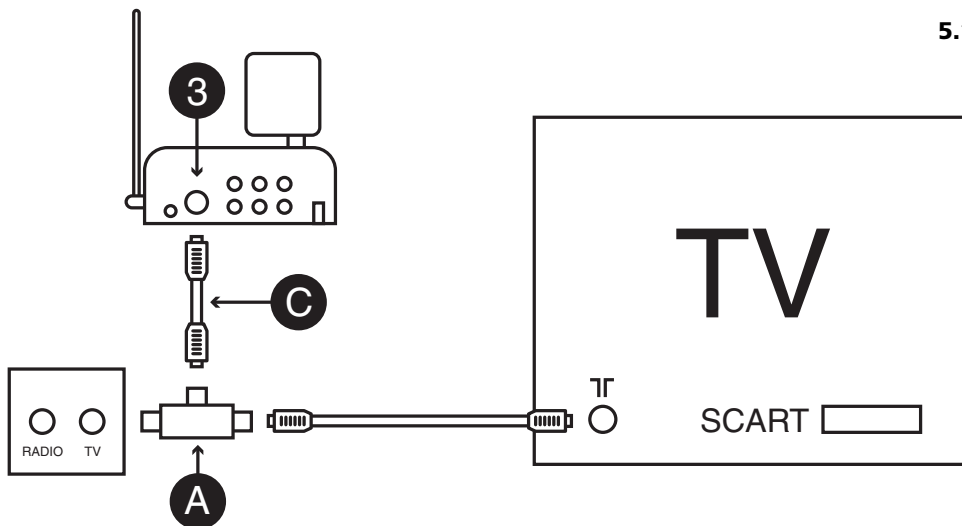
5. Installation du système.

Attention: Lorsque vous installez le système, vous devez placer les CableLink émetteur et récepteur l'un à côté de l'autre. Après l'installation vous pourrez installer le récepteur et la télévision auquel il est relié à l'endroit que vous souhaitez. Durant l'installation le récepteur doit être relié à une télévision.

Vous pouvez installer le CableLink de 2 façons différentes. Si vous possédez un décodeur satellite, un magnétoscope ou un lecteur DVD, utilisez la méthode décrite au paragraphe 5.2. Si vous ne possédez pas ces équipements, utilisez la méthode décrite au paragraphe 5.1.

5.1 Installation du transmetteur sans équipement supplémentaire (tel que décodeur satellite, magnétoscope, lecteur DVD).

1. Reliez le câble coaxial [C] à votre prise d'antenne.
2. Reliez l'autre extrémité du câble à l'entrée antenne de votre transmetteur CableLink 75.
3. Choisissez un canal de transmission [9] par exemple A.
4. Reliez le bloc secteur [6]
5. Mettez l'appareil sous tension: interrupteur [7]
6. Dirigez l'antenne plate (2.4GHz) [K] en direction du récepteur.

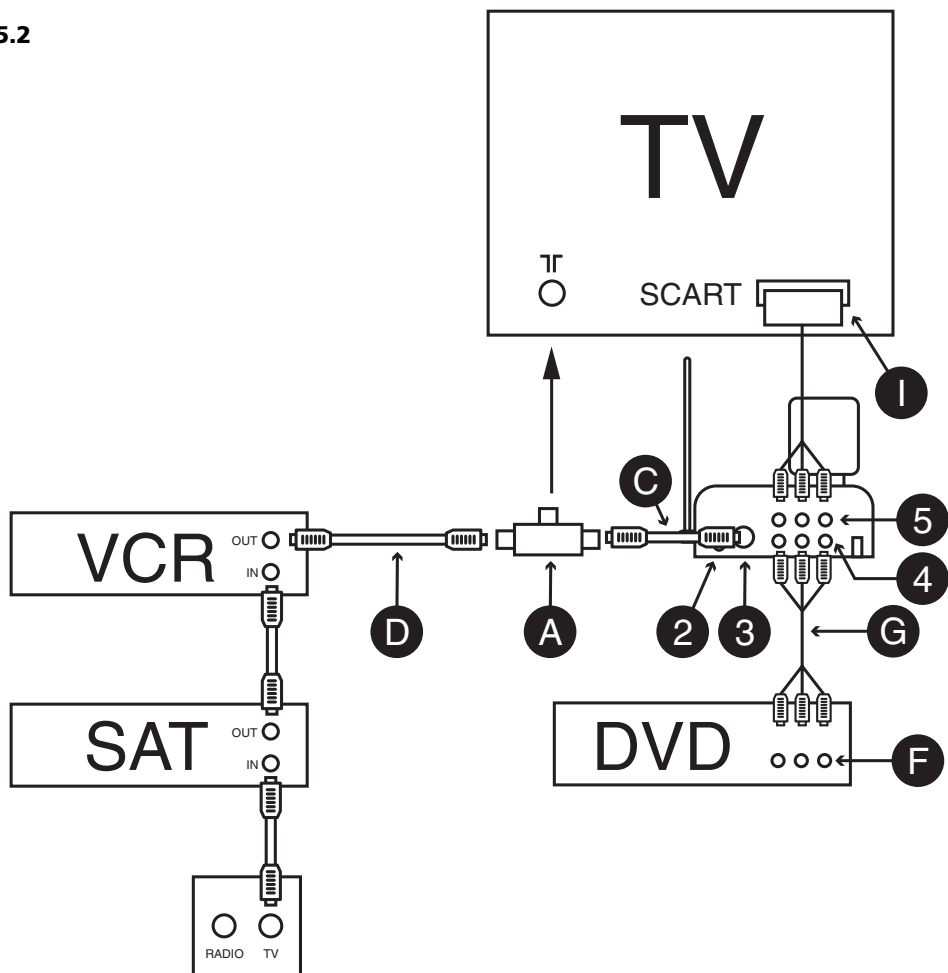


5.2 Installation du transmetteur avec un équipement supplémentaire (tel que décodeur satellite, magnétoscope, lecteur DVD).

Cette installation vous permet de voir les différentes sources à la fois sur le téléviseur principal que sur le téléviseur déporté.

1. Reliez la prise coaxiale en T [A] à l'entrée antenne de votre TV
2. Reliez le câble coaxial [C] à une des extrémités de cette prise [A]
3. Reliez l'autre extrémité du câble coaxial [C] à l'entrée antenne [3] du transmetteur CableLink 75.
4. Reliez le câble coaxial existant (provenant du magnétoscope ou décodeur satellite) à l'extrémité libre de la prise en T [A].
5. Reliez les sorties audio/vidéo [F] de votre lecteur DVD aux entrées audio/vidéo [4] de votre transmetteur CableLink 75 [fonction MultiSource]. Un câble RCA/RCA [G] fourni vous permet de le faire.
6. Reliez les sorties audio/vidéo [5] du transmetteur CableLink 75 à l'entrée PERITEL [I] de votre télé. Pour effectuer cette connexion vous pouvez utiliser le câble que vous utilisiez précédemment pour relier votre DVD à votre télé.
7. Insérez la fiche du câble d'extension infrarouge à la sortie [2] du transmetteur CableLink 75.
8. Localisez la fenêtre infrarouge sur les différents équipements audio/vidéo connectés au CableLink 75 et collez sur chacune une des 3 LEDs infrarouges se trouvant sur le câble d'extension. Pour cela enlevez le papier de protection se trouvant sur ces LEDs. Il se peut que vous ayez à faire plusieurs essais avant de trouver l'endroit exact où coller les LED infrarouges.
9. Choisissez un canal de transmission: interrupteur [9].
10. Reliez le bloc secteur [6]

5.2



11. Mettez le transmetteur sous tension: interrupteur [7].
12. Dirigez l'antenne plate (2.4GHz) [K] en direction du récepteur

5.3 Installation du récepteur.

Attention: Lorsque vous installez le système, vous devez placer les CableLink émetteur et récepteur l'un à côté de l'autre. Après l'installation vous pourrez installer le récepteur et la télévision auquel il est relié à l'endroit que vous souhaitez. Durant l'installation le récepteur doit être relié à une télévision.

1. Reliez le câble RCA aux sorties audio/vidéo du récepteur CableLink [2]. Les couleurs des fiches du câble et des prises du récepteur doivent correspondre.

2. Reliez ce même câble à votre téléviseur. Utilisez l'adaptateur PERITEL marqué "Receiver" si vous utilisez l'entrée PERITEL de votre télé.
3. Choisissez le même canal de transmission [3] que celui choisi sur le transmetteur (par exemple A).
4. Reliez le bloc secteur au CableLink 75 [4] et à une prise secteur
5. Mettez le récepteur sous tension à l'aide de l'interrupteur ON/OFF [5].
6. Dirigez l'antenne plate 2.4 GHz [K] en direction du transmetteur.

note: Pour voir sur votre téléviseur l'image reçu par le récepteur CableLink, sélectionnez l'entrée PERITEL sur votre télé (A/V ou chaîne 0 sur certaine télé). Si aucune chaîne n'a été programmé sur le CableLink, un écran bleu devait apparaître sur l'écran de votre téléviseur.

5.4. Télécommande 5en1

1. Ouvrez le compartiment à piles situé à l'arrière de votre télécommande.
2. Insérez 2 piles (AAA non fournies). Faites attention à la polarité.
3. Refermez le compartiment.

Fonctionnement du CableLink avec la télécommande:

0-9	Choix des canaux (chaînes).
CHAN+	Canal suivant
CHAN-	Canal précédent
PREV.CH	Retour au canal précédent
CATV/AV	Choix entre le signal provenant de l'antenne ou celui provenant des équipements reliés aux entrées audio/vidéo (par ex. lecteur DVD)
DISP	Affichage à l'écran du canal choisi.

Note: La numérotation des canaux du CableLink est propre à celui-ci et ne correspond pas forcément à la numérotation utilisée par votre câblo-opérateur.

SCAN:	Recherche automatique des canaux (6.2).
CHAN+/-	Ajoute ou enlève une chaîne. Pour supprimer une chaîne, sélectionner d'abord celle que vous souhaitez enlever (ex : N°30) et appuyer sur CH+/- . "CATV 30 DELETED" apparaîtra sur l'écran (Chaîne 30 supprimée). La prochaine fois que vous parcourrez les chaînes, le canal 30 ne sera pas proposé. Pour rajouter une chaîne, sélectionnez la directement, par exemple choisissez la N°30 en appuyant sur les touches 3 et 0. Appuyez sur CH+/- . "CATV -30 ADDED" apparaîtra sur l'écran (Chaîne 30 ajoutée). La prochaine fois que vous parcourrez les chaînes, le canal 30 sera proposé.
SET	Pour changer le code de sécurité de votre télécommande. Utilisez cette fonction si vous utilisez plus d'un système CableLink chez vous (voir § 6.3.)

Pour des instructions plus détaillées sur la télécommande, voir le chapitre 7.

6. Réglage des canaux du CableLink 75

Vous pouvez programmer le CableLink de 3 manières différentes :

Méthode A

En recherchant sur toute la bande de fréquence. C'est la meilleure façon de programmer votre CableLink 75 dans le cas où certaines stations de télé n'émettent pas sur une fréquence normalisée. De la même façon, si vous ne savez pas la manière dont sont transmises les chaînes de télé dans votre région, nous vous conseillons d'utiliser cette méthode. Plus d'information dans le chapitre 6.1

Méthode B

En recherchant uniquement sur les canaux normalisés. Si vous savez que toutes les stations de télé de votre région émettent uniquement sur des canaux normalisés, vous pourrez trouver une description de cette méthode, qui est la plus rapide, dans le chapitre 6.2.

Méthode C

En entrant manuellement le numéro du canal. Pour utiliser cette méthode, vous devez posséder une liste des canaux de diffusion des stations de télé (fournie par votre câblo-opérateur). Plus d'information dans le chapitre 6.3.

6.1 Méthode A: recherche sur toute la bande de fréquence

Note: La méthode A peut prendre jusqu'à 20 minutes.

1. Appuyez et maintenez enfoncée la touche FINE TUNE + jusqu'à ce que le texte suivant apparaisse sur l'écran: "Fine Tune +". Relâchez la touche.
2. Attendez que la recherche s'arrête et que la chaîne trouvée apparaisse à l'écran
3. Appuyez sur la touche CHAN+/- pour mémoriser la chaîne (si vous appuyez une deuxième fois sur cette touche, vous effacerez la chaîne de la mémoire).
4. Répétez les étapes 1 à 3 jusqu'à ce que vous ayez trouvé toutes les chaînes disponibles.

Note: Si l'image de la chaîne trouvée n'est pas assez claire, essayez de l'améliorer en appuyant brièvement plusieurs fois sur les touches FINE TUNE – et/ou FINE TUNE +. Appuyez sur la touche CBL ADD/DEL pour mémoriser le nouveau réglage.

6.2. Méthode B: recherche automatique (fréquence normalisée)

Si vous effectuez la recherche en utilisant cette méthode, seul les canaux normalisés seront recherchés, les autres canaux seront ignorés.

1. Allumez la TV à laquelle le récepteur CableLink 75 est relié et sélectionnez l'entrée PERITEL
2. Appuyez sur la touche CBL de votre télécommande
3. Allumez le récepteur et l'émetteur CableLink 75.
4. La télévision reliée au récepteur CableLink 75 va (durant environ 20 secondes) afficher le texte 'HANDSET CODE 636' sur fond bleu. Durant l'affichage de ce texte, vous devez appuyer sur n'importe quelle touche de la télécommande (excepté la touche SET). Diriger la télécommande vers la face avant du récepteur CableLink 75.

5. Appuyez sur la touche SCAN
6. Le message suivant apparaît sur l'écran de la TV "Press again to confirm" (Appuyez de nouveau pour confirmer).
7. Appuyez de nouveau sur SCAN pour commencer la recherche automatique. Le message suivant apparaît sur l'écran de la TV: "Scanning, please wait" (recherche, attendez SVP) et une flèche pointant vers le haut clignote toutes les 0,5 seconde. La procédure de recherche automatique dure environ 1minute.
8. Dès que la recherche est terminée le message suivant est affiché: "Scanning complete – found XXX channels" (recherche terminée - XXX canaux trouvés). Le premier canal trouvé sera ensuite automatiquement affiché sur l'écran.
9. Les touches CHAN+ and CHAN- vous permettent de naviguer sur les différentes chaîne trouvées
10. Si vous voulez effacez une des chaînes de la mémoire ou la rajouter de nouveau, appuyez sur la touche CHAN+/- (touche jaune lecture).

6.3 Méthode C: utilisation du numéro de canal

Note: La numérotation des canaux du CableLink est propre à celui-ci et ne correspond pas forcément à la numérotation utilisée par votre câblo-opérateur ou votre télé ou magnétoscope.

1. Procurez vous, auprès de votre câblo-opérateur, la liste comprenant la fréquence (MHz), le numéro des canaux et le nom des chaînes transmises. Faites de même pour les chaînes hertziennes de votre région si vous n'êtes pas relié au câble mais utilisez une antenne aérienne.
2. En dernières pages de ce guide utilisateur, vous trouverez un tableau composé des colonnes suivantes:
 - Frequency: Fréquences du canal TV
 - CableLink 75 channel nr.: Numéro du canal utilisé par le CableLink 75 pour la fréquence correspondante
 - Channel Name: dans cette colonne vous pourrez noter le nom du canal correspondant aux différentes fréquences
3. Dans la liste de votre câblo-opérateur, recherchez la fréquence du canal TV que vous voulez mémorisez dans le CableLink 75 (par ex. 471,75 MHz).
4. Regardez quel canal du CableLink 75 est le plus proche de cette fréquence (tableau en fin de cette notice. Dans notre exemple: canal 58)
5. Regardez dans la colonne "CableLink 75 channel nr." et saisissez le chiffre s'y trouvant à l'aide des touches numériques de la télécommande 5en1 (5 et 8 dans l'exemple).
6. Appuyez ensuite sur FINE TUNE +, si vous cherchez une fréquence plus élevées. Laissez la touche appuyée jusqu'à ce que le texte "Fine tune +" s'affiche

OU

- Appuyez ensuite sur FINE TUNE -, si vous cherchez une fréquence moins élevées. Laissez la touche appuyée jusqu'à ce que le texte "Fine tune -" s'affiche
7. Après un bref laps de temps la chaîne TV apparaîtra à l'écran. Appuyez sur la touche CHAN+/- pour mémoriser la chaîne (si vous appuyez une deuxième fois sur cette touche, vous effacerez la chaîne de la mémoire).
 8. Répétez les étapes 3 à 7 pour mémoriser toutes les chaînes disponibles.

6.4. Effacement de la mémoire (master reset)

1. Eteignez le transmetteur CableLink 75 et allumez le de nouveau (utilisez l'interrupteur ON/OFF (7))
2. Appuyez en même temps sur les touches SOURCE et CHAN DOWN (touche du milieu) sur la face avant du transmetteur
3. Le message suivant s'affichera sur l'écran de la télé: "DELETED" (effacée)

7. Télécommande universelle 5in1

La télécommande 5 en 1 fournie vous permet de contrôler votre CableLink 75 (voir §5.4) mais aussi votre TV, Magnétoscope, lecteur DVD et décodeur satellite! La télécommande possède en effet les codes de la plus part des marques et modèles de ces équipements.

7.1. Transmission à distance des ordres infrarouges

Votre CableLink 75 vous permet de transmettre à distance les ordres de votre télécommande infrarouge. Vous pouvez ainsi commander votre magnétoscope, lecteur DVD ou récepteur satellite depuis l'endroit où est installé votre CableLink 75 et cela même à travers murs et plafonds.

Pour cela, dirigez votre télécommande vers la fenêtre infrarouge qui se trouve en face avant du récepteur CableLink 75. Vous pouvez utiliser la télécommande 5 en 1 fournie ou les télécommandes originales de vos différents appareils (sauf les systèmes utilisant un code infrarouge de 400kHz comme B&O).

Pour utiliser cette fonction, vous devez avoir relié le cordon d'extension infrarouge au transmetteur CableLink 75 (voir § 5.2 pour plus de détails).

7.2. Description des touches

Voyant

Le voyant s'allume lorsqu'une touche est enfoncée.

POWER

Allume et éteint vos différents équipements.

TV, VCR, DVD, SAT

Permet de choisir l'équipement à contrôler.

SET UP

Permet de programmer la télécommande.

CHAN + et CHAN -

Choix des canaux (chaînes).

VOL +/-

Contrôle du volume.

M

Touche Mute. Permet de couper ou de remettre le son.

0-9

Touches numériques, elles fonctionnent de la même manière que celles de votre télécommande d'origine.

ENT

Utilisée avec les touches numériques, cette touche permet, sur certains équipements, de sélectionner directement les chaînes supérieures à 9. En mode programmation elle permet de confirmer le code de l'équipement.

A/V

Permet de sélectionner l'entrée PERITEL.

MENU

Permet d'entrer dans le menu de l'équipement sélectionné (si disponible).

EXIT

Permet de sortir du mode menu.

Touches de navigation

Permettent de naviguer dans le menu.

OK

Permet de confirmer un choix.

Télétexte ON

Mise en/hors service du télétexte.

Télétexte OFF

Mise hors service du télétexte.

Télétexte HOLD.

Figé la page de télétexte à l'écran.

Télétexte MIX

Affiche la page télétexte sur l'image de la chaîne sélectionnée.

INFO

Affiche à l'écran certaines informations de l'équipement que vous contrôlez.

PLAY, REW, FF, STOP, PAUSE, REC

Fonctionne de la même façon que votre télécommande d'origine. Appuyez 2 fois sur la touche Rec pour enregistrer.



7.3. Programmez votre télécommande pour commander votre TV, magnétoscope, lecteur DVD et décodeur satellite.

Il existe 2 façons de programmer votre télécommande pour qu'elle puisse commander vos autres équipements (tel que TV ou lecteur DVD) :

Méthode A

Programmez la télécommande à l'aide de la liste de codes fournie.

Méthode B

Programmer la télécommande en recherchant manuellement les codes.

Méthode A

1. Allumez l'équipement que vous voulez commander (TV, VCR, etc.).
2. Appuyer sur la touche SETUP et la maintenir enfoncée jusqu'à ce que le voyant s'allume. Relâcher la touche SETUP.

3. Appuyer brièvement sur la touche correspondant au mode souhaité (TV, VCR, SAT). Le voyant clignote.
4. Recherchez la marque de votre équipement dans la liste de codes fournie et entrez le code correspondant.
5. Si le code entré est correct, le voyant s'éteint après la saisie du dernier chiffre. Si le code est erroné, le voyant clignote 3 secondes avant de s'éteindre.
6. Dirigez la télécommande vers l'équipement que vous voulez commander et appuyez sur différentes touches (pa ex. CHAN+, Power, etc.) . Si l'équipement réponds, la saisie directe du code de l'appareil est terminée. S'il ne réponds pas recommencez en choisissant le code suivant.

Notes: La touche TV ne peut être utilisée que pour contrôler une télévision mais les autres touches permettent de contrôler n'importe quel équipement. Par exemple rien ne vous empêche de si vous possédez 2 récepteurs satellites de programmer le premier sur la touche SAT et le second sur la touche DVD.

Si votre TV, VCR, DVD ou Satellite ne réponds pas ou si certaines fonctions manquent, essayer les autres codes inscrit pour cette marque. S'il ne répond toujours pas, essayez la recherche de code (Méthode B).

Si le voyant clignote rapidement, vous avez peut être entré un code erroné, vérifiez dans la liste des codes et essayez à nouveau.

Méthode B

Si vous ne trouvez pas votre équipement dans la liste des codes, ou si après avoir essayé tous les codes correspondant à la marque de votre appareil celui-ci ne répond toujours pas, vous pouvez essayer la recherche manuel de codes:

1. Allumez l'appareil que vous voulez contrôler.
2. Appuyez sur la touche SETUP et maintenez la enfoncée jusqu'à ce que le voyant s'allume. Relâcher la touche SETUP.
3. Appuyer brièvement sur la touche correspondant au mode souhaité (TV, VCR, SAT). Le voyant clignote.
4. Si votre télé fonctionne habituellement en appuyant sur une touche " Programme +/- ", dirigez la Télécommande vers votre télé et appuyez lentement plusieurs fois* sur la touche CHAN+ jusqu'à ce que la chaîne change. Si vous passez accidentellement le code appuyez sur la touche Rouge pour revenir en arrière..
5. Appuyez et relâchez la touche ENT pour terminer la programmation.

Note:

- Dans certains cas vous devrez appuyer sur la touche CHAN+ un très grand nombre de fois (plus de 50).
- Si votre équipement ne possède pas de fonction "Channel +/- ", vous pouvez utiliser la touche "POWER", ou encore la touche "PLAY" pour un magnétoscope.

7.4. Identification du code trouvé lors de la procédure de recherche

1. Appuyer sur la touche SETUP et la maintenir enfoncée jusqu'à ce que le voyant s'allume. Relâcher la touche SETUP
2. Appuyer brièvement sur la touche correspondant au mode que vous voulez identifier (TV, VCR, SAT). Le voyant clignote
3. Enfoncez et relâchez la touche SETUP. Le voyant clignote.
4. Pour trouver le premier chiffre du code, appuyez sur les touches numériques 0 à 9 jusqu'à ce que le voyant clignote une fois. Le chiffre qui fait clignoter le voyant est le premier des 3 chiffres composant le code.
5. Répéter l'étape 4 pour trouver le second chiffre.
6. Répéter l'étape 4 pour trouver le troisième chiffre. Lorsque le troisième chiffre est trouvé, le voyant s'éteint définitivement.

7.5. Permutation entre le signal d'antenne et une source audio/vidéo

Vous pouvez non seulement connecter un signal d'antenne au transmetteur CableLink, mais aussi à n'importe quelle source audio/vidéo externe (par exemple, un lecteur de DVD, un magnétoscope ou un récepteur satellite). Vous pouvez alors utiliser la télécommande du CableLink pour commuter entre le signal d'antenne et la source externe. Il vous suffit de presser la touche [AV] sur la télécommande

7.6. Changement du code de sécurité de la télécommande 5 en 1

Remarque: Le changement de code n'est nécessaire que si un autre CableLink 75 est installé à proximité (dans un rayon de 100m environ).

Le code par défaut de la télécommande est "636"

Pour le modifier aussi bien dans la télécommande que dans le CableLink 75, procédez comme suit:

1. Appuyez et maintenez enfoncée la touche SETUP jusqu'à ce que le voyant rouge s'allume
2. Appuyez et relâchez la touche CBL
3. Entrez un des codes suivant:
639 - 638 - 637 - 636 (code usine par défaut)
4. Eteignez le transmetteur CableLink 75 et allumez le de nouveau (utilisez l'interrupteur ON/OFF (7))
5. Le texte suivant doit s'afficher sur l'écran du TV: "HANDSET CODE ABC PRESS "SET" TO CHANGE OR ANY OTHER KEY TO CONTINUE" (Code de la télécommande: ABC. Appuyez sur SET pour le changer ou sur une autre touche pour continuer)
6. La télécommande dirigée vers la fenêtre infrarouge se trouvant sur le devant du récepteur CableLink 75, appuyez sur la touche "SET". Le texte suivant s'affiche: "PRESS AGAIN TO CONFIRM" (appuyez de nouveau pour confirmer)
7. Appuyez sur la touche "SET" de nouveau
8. Le message suivant s'affiche: "CODE XYZ ACCEPTED" (code XYZ accepté) Par ex.: code 638 accepted
9. Vérifiez le fonctionnement en appuyant sur CHAN+ ou CHAN-

7.7. Effacez la programmation de la télécommande

Vous pouvez revenir à la configuration usine de la télécommande en procédant comme suit:

1. Appuyez sur la touche SETUP jusqu'à ce que la LED reste allumée en permanence.
2. Appuyez sur la touche STOP 2 fois et ensuite sur la touche MUTE.
3. La LED s'éteint.

8. Pannes et problèmes de fonctionnement

Mauvaise qualité de l'image sur toutes les chaînes TV

1. Des réflexions peuvent quelque fois perturber le signal transmis. Essayez de déplacer de quelques centimètres le transmetteur ou le récepteur CableLink 75. Essayez de modifier l'orientation des antennes 2.4 GHz.
2. Changez de canal de transmission (A...D) sur l'émetteur et sur le récepteur. Le canal choisi doit être le même sur l'émetteur et le récepteur. (Par ex.: les deux sur B)

Mauvaise qualité de certaines chaînes:

1. Vérifiez la connexion du CableLink 75 à l'antenne. Vous pouvez contrôler le signal d'antenne du côté transmetteur en reliant une télévision directement à votre prise d'antenne. Il est très important de vérifier votre installation d'antenne si les chaînes transmises sur une fréquence haute sont plus bruitées que les chaînes transmises sur une fréquence plus basse.
2. Si les chaînes trouvées sont mal réglées, utilisez les touches FINE TUNE + et FINE TUNE – de la télécommande pour les régler correctement. Utilisez la touche CHAN+/- de la télécommande pour mémoriser les nouveaux réglages.

Le contrôle Infrarouge à distance ne fonctionne pas

1. Le câble d'extension infrarouge est-il relié au transmetteur CableLink 75? Les LEDs infrarouge sont-elles positionnées correctement sur l'équipement à contrôler? Si vous n'êtes pas sûr de la position de la fenêtre infrarouge de votre équipement, essayez différents emplacements.
2. La distance de fonctionnement peut être réduite considérablement si vous utilisez un casque sans fil, des haut-parleurs sans fil ou tout autre équipement fonctionnant en 433,92 MHz. Arrêtez ces équipements pour accroître la distance de fonctionnement.

La télécommande ne fonctionne pas

1. Vérifiez avec la télécommande d'origine que l'équipement fonctionne correctement.
2. Vérifiez que vous avez bien appuyé sur la touche Mode (VCR, TV etc.) de l'équipement que vous désirez contrôler.
3. Essayez de nouveau de trouver le code de votre appareil avec le manuel.
4. Pour découvrir le code correspondant à votre appareil, essayez la recherche automatique.
5. vérifiez la polarité de vos piles (indications +/-)
6. Si les piles sont faibles, remplacez-les.

La télécommande ne fonctionne pas avec le CableLink 75

1. Le code de sécurité de la télécommande n'est pas le même que le code de sécurité du CableLink 75. Réinstallez le code de sécurité (§7.6).
2. Pour commander le CableLink avec la télécommande fournie, pointez celle-ci vers le récepteur du CableLink
3. Pour commander le CableLink avec la télécommande fournie, le mode CableLink doit avoir été sélectionné. Pour choisir le mode CableLink, appuyer sur la touche [CBL]
4. Si vous utilisez un système de surveillance pour enfant, les écouteurs ou les enceintes sans fil qui fonctionneraient sur la même fréquence que l'extension infrarouge de votre CableLink75 (433MHz), diminueront sensiblement la portée du dispositif.
5. Une fois le transmetteur du CableLink allumé, un écran bleu s'affichera, comportant la mention du "HANDSET CODE 636 etc.". Si vous attendez trop longtemps pour confirmer, l'appareil ne basculera pas automatiquement en mode programmation. Pour accéder au mode programmation, vous devrez éteindre puis rallumer le CableLink à nouveau.

Mon CableLink 75 ne parvient pas à trouver une seule chaîne

1. La méthode de recherche automatique ne trouve que les fréquences normalisées des chaînes. Cependant, certains réseaux câblés utilisent seulement des chaînes non transmises sur la fréquence normalisée. Vous pouvez trouver ces dernières par la recherche manuelle.

L'écran bleu ne s'affiche pas sur ma TV

1. Le récepteur CableLink est relié à l'entrée péritel de votre TV. Cela signifie que l'entrée péritel de votre TV doit toujours être sélectionnée. Le guide utilisateur de votre TV vous indique comment y parvenir.

J'ai programmé les chaînes sur mon CableLink mais je ne parviens pas à changer de chaîne

1. Reportez vous à "La télécommande ne fonctionne pas avec le CableLink75 »
2. Le CableLink a mémorisé les chaînes dans le transmetteur. Vous ne pouvez donc pas allumer les chaînes de votre TV, vous devez le faire à partir du transmetteur de votre CableLink lui-même. L'entrée péritel de votre TV doit toujours être sélectionnée. En sélectionnant le mode CableLink sur votre télécommande (en utilisant la touche [CBL]), vous pouvez changer de chaîne en agissant sur le transmetteur du CableLink. Tout en faisant cela, veuillez pointer la télécommande vers le récepteur du CableLink .

Je ne parviens pas à changer la numérotation des chaînes

1. Le CableLink utilise un ordre standard pour la numérotation des chaînes. Vous ne pouvez modifier cela vous-même

LEES DIT EERST!

1. WAARSCHUWING!

Om kortsluiting te voorkomen, dient dit product uitsluitend gebruikt te worden in droge ruimten en dient de apparatuur niet aan regen of vocht te worden blootgesteld.

Niet naast of vlakbij een bad, zwembad, etc. gebruiken.

Het product nooit openmaken. Laat reparatie of service alleen over aan deskundig personeel.

Opmerking:

Dit apparaat is geproduceerd overeenkomstig de CE richtlijnen (EMC en laagspanning) en is goedgekeurd door het Ministerie van Verkeer en Waterstaat.

Hoewel het ontwerp en de gebruikte frequentie ervoor zorgen dat er bij normaal gebruik geen interferentie optreedt met andere apparatuur, kunnen storingen bij hoogfrequente zenders en ontvangers nooit helemaal worden uitgesloten.

De zender en ontvanger hebben een bereik van min. 30 meter (z.g. open veld).

Muren en plafonds tussen de zender en ontvanger verminderen dit bereik, afhankelijk van de gebruikte bouwmaterialen en dikte.

Bij oneigenlijk gebruik, zelf aangebrachte veranderingen of reparaties, komen alle garantiebepalingen te vervallen.

2. Omschrijving van het systeem

Met de Marmitek CableLink 75 kunt u een TV voorzien van antennesignaal zonder het trekken van een kabel. De CableLink 75 zender kan direct op de antennedoos van uw woning worden aangesloten. De CableLink 75 ontvanger sluit u aan op uw SCART ingang van uw TV toestel.

De CableLink 75 zender heeft een ingebouwde TV tuner welke de zender van uw keuze selecteert en verstuurt naar de ontvanger welke op uw TV is aangesloten. Met de meegeleverde afstandsbediening kunt u vanuit de plaats waar u TV kijkt zenders kiezen.

MULTISOURCE

De CableLink 75 zender heeft ook nog aansluitingen voor extra videoapparatuur zoals een videorecorder, DVD speler of satellietontvanger. Ook deze signalen kunt u daardoor draadloos verzenden naar uw TV. Met de bijgeleverde 5in1 universele afstandsbediening kunt u omschakelen tussen de TV tuner en uw DVD, Satellietontvanger of videorecorder. Bovendien kunt u al deze apparatuur op afstand bedienen met de meegeleverde 5in1 universele afstandsbediening.

3. CableLink 75 zender (transmitter)

Voor het opstellen van de zender heeft u de volgende onderdelen nodig:

- 1x CableLink 75 zender (transmitter)
- 1x Voedingsadapter
- 1x Tulp/Tulp kabel
- 1x Scart adapter met label transmitter
- 1x Infrarood extender kabel met 3 oogjes
- 1x Antennesplitter
- 1x Coaxkabel

3.1. Bedieningselementen

1. 433MHz antenne Ontvangt de signalen van afstandsbedieningen welke aan de kant waar de ontvanger staat worden gebruikt. Dit geldt zowel voor signalen van de meegeleverde 5in1 universele afstandsbediening als voor de originele afstandsbediening van uw videorecorder, satellietontvanger of DVD speler.
2. Aansluitpunt voor infrarood extender kabel Op deze uitgang wordt de infrarood extender kabel aangesloten (zie 5.2 voor meer informatie).
3. Antenne-ingang (Cable in) Voor het aansluiten van het signaal van de kabel televisie (CAI) of eigen antennesignaal (terrestrial).
4. Audio/Video ingang Ingang voor het aansluiten van een videorecorder, DVD speler of satellietontvanger.
5. Audio/Video uitgang Op deze uitgang is het signaal van de antenneaansluiting of het signaal wat op de Audio/Video ingang [4] is aangesloten. U kunt omschakelen tussen deze signalen via de CATV/TV toets op de afstandsbediening.
6. Voedingsadapter aansluiting Voor het aansluiten van de meegeleverde 12V voedingsadapter.
7. AAN/UIT Schakelaar Schakelaar voor het aan- en uitschakelen van de CableTuner zender. Indien de zender aanstaat zal de LED [13] oplichten.
8. 2,4 GHz zendantenne Zendt het kabel of A/V signaal naar de ontvanger.
9. Kanaalschakelaar Voor het kiezen van het 2,4GHz zender kanaal (A,B,C,D). De kanaalkeuze van de zender en de ontvanger dienen overeen te komen.
10. Source toets Met deze schakelaar kunt u schakelen tussen de antenne-ingang [3] en het signaal van de Audio/Video ingang [4]
11. Cable Channel DOWN Voor het selecteren van een andere TV zender (omlaag)
12. Cable Channel UP Voor het selecteren van een andere TV zender (omhoog)
13. LED indicator Deze indicator zal oplichten wanneer de zender operationeel is [7]

4. CableLink 75 Ontvanger (receiver)

Voor het opstellen van de ontvanger heeft u de volgende onderdelen nodig:

- 1x CableLink 75 ontvanger (receiver)
- 1x Voedingsadapter
- 1x Tulp/Tulp kabel
- 1x Scart adapter met label receiver

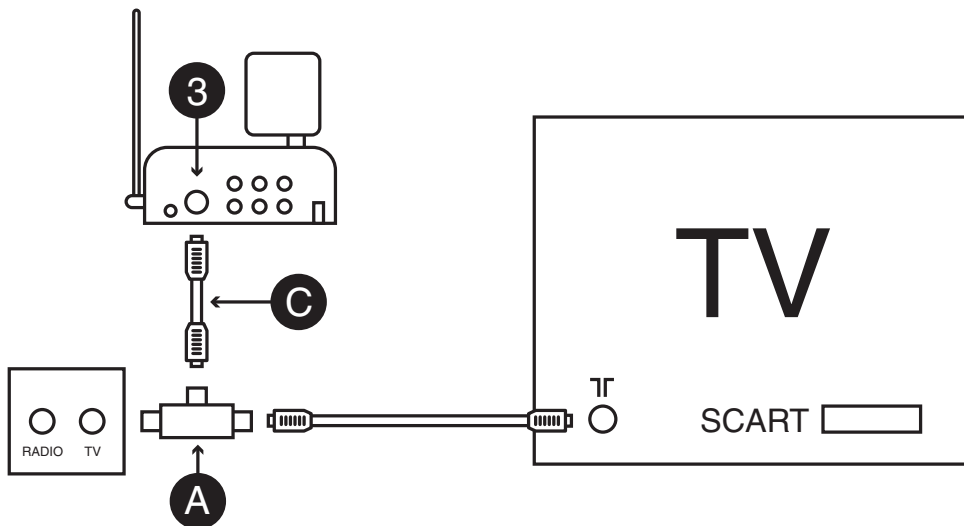
4.1. Bedieningselementen

1. 433MHz antenne Verzendt de signalen van afstandsbedieningen welke in de ruimte van de ontvanger worden gebruikt. Dit geldt zowel voor signalen van de meegeleverde 5in1 universele afstandsbediening als voor de originele afstandsbediening van uw videorecorder, satellietontvanger of DVD speler. U dient met de afstandbediening op het infrarood venster van de ontvanger te richten [7]
2. A/V uitgang Via deze uitgang en de meegeleverde kabels sluit u uw TV aan.
3. Kanaalschakelaar Voor het kiezen van het 2,4GHz zender kanaal (A,B,C,D). De kanaalkeuze van de zender en de ontvanger dienen overeen te komen.
4. Voedingsadapter aansluiting Voor het aansluiten van de meegeleverde 12V voedingsadapter.
5. AAN/UIT Schakelaar Schakelaar voor het aan- en uitschakelen van de CableTuner ontvanger.
N.B. er gaat geen indicator branden als de ontvanger aan staat.
6. 2,4 GHz ontvangstantenne Ontvangt het kabel of A/V signaal van de zender
7. Infrarood venster Achter dit venster bevindt zich een IR ontvanger voor de signalen van afstandsbedieningen

5. Installatie van het systeem

Attentie: Om redenen van technische aard dient u tijdens de installatie van het systeem de CableLink-zender en de CableLink-ontvanger naast elkaar te plaatsen. Pas na het afronden van de installatie kunt u de ontvanger verplaatsen naar de positie waar u de TV permanent wilt plaatsen. Tijdens de installatie dient uw ontvanger wél op een willekeurige TV aangesloten zijn.

U kunt de CableLink aansluiten op twee verschillende manieren. Bent u in het bezit van een satellietontvanger, videorecorder of DVD-speler? Sluit uw CableLink dan aan volgens methode 5.2. Bent u niet in het bezit van deze apparatuur? Sluit uw CableLink dan aan volgens methode 5.1.

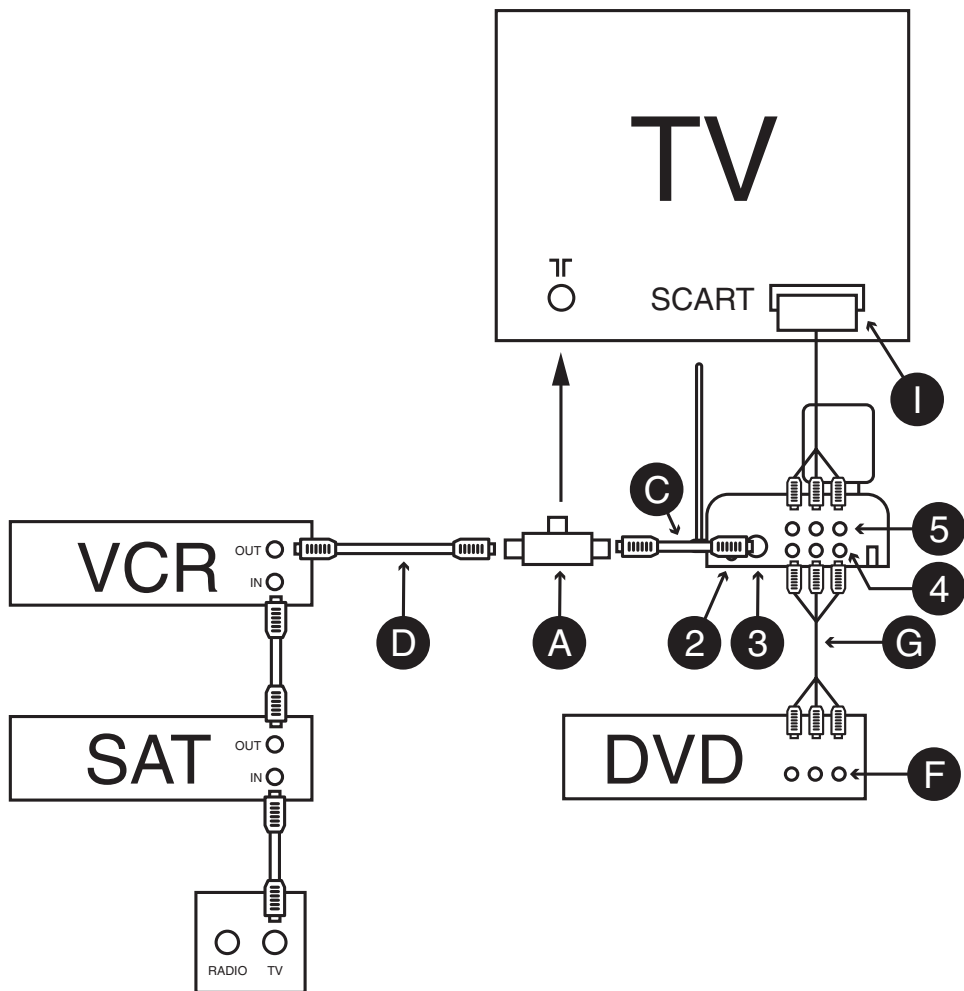


5.1. Installeren van de zender zonder extra apparatuur (zoals satellietontvanger, videorecorder of DVD-speler)

1. Sluit de meegeleverde coaxkabel [C] aan op de antenne/kabel aansluitdoos op de muur.
2. Sluit het andere einde van de coaxkabel aan op de antenne-ingang [3] van de CableLink 75 zender
3. Zet de kanaalschakelaar [9] op een kanaal van uw keuze b.v. kanaal [C]
4. Sluit de voedingsadapter aan op de CableLink 75 zender [6]
5. Zet de zender aan via de ON/OFF knop [7]
6. Plaats de CableLink 75 zender indien mogelijk rondom vrij. Plaats de zender bij voorkeur niet op uw audio- en video-apparatuur. Richt de schotelantenne [K] met de vlakke zijde in de richting van de ontvanger.

5.2. Installeren van de zender mét extra apparatuur (zoals satellietontvanger, videorecorder of DVD-speler)

1. Plaats de antennesplitter [A] in de achterzijde van uw TV toestel.
2. Sluit de meegeleverde coaxkabel [C] aan op de antennesplitter [A]
3. Sluit het andere einde van de coaxkabel aan op de antenne-ingang [3] van de CableLink 75 zender
4. Verbindt de reeds aanwezige coaxkabel (van uw videorecorder of satellietontvanger [D]) met de antennesplitter [A].
5. Verbind de audio/video uitgang [F] van de DVD speler met audio/video ingang [4] van de CableLink 75 zender [tbv de MULTISOURCE functie]. Een tulp/tulp kabel (G) is meegeleverd.
6. Verbind de audio/video uitgang [5] van de CableLink 75 zender met de audio/video ingang (Scart ingang) [I] van de televisie. Gebruik hiervoor de kabel waarmee u oorspronkelijk de DVD speler had aangesloten op uw TV.



7. Steek de plug van de infrarood extender kabel in uitgang [2] van de zender
8. Plaats de infrarood oogjes van de extender kabel op de infrarood sensoren van uw videorecorder, satellietontvanger en/of DVD speler. Het is belangrijk dat de oogjes nauwkeurig voor de infrarood sensoren worden geplaatst.
9. Zet de kanaalschakelaar [9] op een kanaal van uw keuze b.v. kanaal [C]
10. Sluit de voedingsadapter aan op de CableLink 75 zender [6]
11. Zet de zender aan via de ON/OFF knop [7]
12. Plaats de CableLink 75 zender indien mogelijk rondom vrij. Plaats de zender bij voorkeur niet op uw audio- en video-apparatuur. Richt de schotelantenne [K] met de vlakke zijde in de richting van de ontvanger.

5.3. Installeren van de ontvanger

Attentie: Om redenen van technische aard dient u tijdens de installatie van het systeem de CableLink-zender en de CableLink-ontvanger naast elkaar te plaatsen. Pas na het afronden van de installatie kunt u de ontvanger verplaatsen naar de positie waar u de TV permanent wilt plaatsen. Tijdens de installatie dient uw ontvanger wél op een willekeurige TV aangesloten zijn.

1. Sluit een set tulp/tulp kabels aan op de audio/video uitgang [2] van de CableLink ontvanger (receiver). Let hierbij op de kleurcodering. De gele stekker is voor het video signaal, de rode en de witte zijn voor het audio signaal (rechts resp. links).
2. Sluit het andere uiteinde van de tulp/tulp kabel aan op uw televisietoestel. Wanneer uw toestel is voorzien van een Scart ingang, dan kunt u gebruik maken van de meegeleverde Scart adapter (met het label Receiver).
3. Zet de kanaalschakelaar [3] op hetzelfde kanaal wat u op de CableLink 75 zender heeft ingesteld (b.v. kanaal [C]).
4. Sluit de voedingsadapter aan op de CableLink 75 ontvanger [4]
5. Zet de ontvanger aan via de ON/OFF knop [5]
6. Richt de schotelantenne [K] met de vlakke zijde in de richting van de zender.

NB. Om het beeld van de CableLink 75 op uw TV te kunnen zien, schakelt u de TV waarop de receiver is aangesloten over naar de AV ingang (bij sommige TV's is dit kanaal "0"). De CableLink 75 geeft een blauw scherm weer als er nog geen zenders zijn geprogrammeerd in het geheugen.

5.4. 5in1 afstandsbediening voor de CableLink 75

1. Open het batterijvak aan de achterzijde van de afstandsbediening
2. Leg 2 batterijen in van het type AAA. Let hierbij op de polariteit.
3. Sluit het batterijvakje

Toetsen voor gebruik van CableLink 75 functies:

0-9	Direct kiezen van de opgeslagen TV kanalen
CHAN+	Volgende TV kanaal kiezen
CHAN-	Vorige TV kanaal kiezen
PREV.CH	Voor terugschakelen naar het laatst gekozen TV kanaal
CATV/AV	Voor het omschakelen tussen de interne TV tuner en de op de zender aangesloten apparatuur (videorecorder, satellietontvanger, etc)
DISP	Geeft het huidige CableLink 75 kanaal aan (N.B. Het CableLink 75 systeem maakt gebruik van een eigen kanaalaanduiding. De nummers die aan de zenders worden toegewezen komen daarom NIET overeen met de nummers zoals ze zijn weergegeven op de kanalenkaart van uw kabelaanbieder of antenneaansluiting. Zie voor meer informatie de tabel achterin deze gebruiksaanwijzing).

SCAN	Automatisch zoeken naar TV en kabel TV zenders (zie 6.2)
CHAN ADD/DEL	Toevoegen of verwijderen van CableLink kanalen. Om een opgeslagen CableLink kanaal (b.v. kanaal 30) te verwijderen kiest u dit kanaal en drukt u op CHAN ADD/DEL om het kanaal te verwijderen. Op het scherm verschijnt de tekst "CATV 30 DELETED". De volgende keer dat u door de TV zenders bladert zal CableLink 75 kanaal 30 niet langer verschijnen. Om het kanaal (opnieuw) toe te voegen, bijv. een TV zender op CableLink kanaal 40, toetst u 4+0. Daarna drukt u op CHAN ADD/DEL. Op het beeld verschijnt de tekst "CATV 40 ADDED".
SET	Hiermee kunt u de Security Code van de afstandsbediening in de CableLink 75 invoeren bij het gebruik van meerdere CableLink 75 systemen in uw woning (zie 6.4)

Voor een uitgebreide beschrijving van de afstandsbediening zie hoofdstuk 7

6. Instellen van het systeem

U kunt de CableLink 75 op drie verschillende manieren programmeren.

Methode A

Door middel van het afzoeken van de hele frequentieband. Als de TV-zenders zich op zogenaamde +/- kanalen bevinden, is dit de beste manier om uw CableLink75 te programmeren. Ook als u niet weet hoe de TV-kanalen in uw regio aangeboden worden, kunt u het best deze methode gebruiken. U vindt de uitleg in hoofdstuk 6.1.

Methode B

Door middel van het zoeken op hele kanaalnummers. Als u zeker weet dat in uw regio alle zenders zich op hele kanalen bevinden, vindt u in hoofdstuk 6.2 de snelste methode.

Methode C

Door middel van het intoetsen van kanaalnummers. Hiervoor heeft u een overzicht nodig van uw kabelaanbieder. U vindt deze methode in hoofdstuk 6.3.

NB. Wanneer u uw apparatuur heeft aangesloten volgens "5.2. *installeren van de zender mét extra apparatuur (zoals satellietontvanger, videorecorder of DVD-speler)*" dient u op dit moment uw videorecorder en satellietontvanger in te schakelen. Zo is de CableLink 75 in staat het signaal van de videorecorder en de satellietontvanger te vinden en eveneens vast te leggen in het geheugen.

6.1. Methode A: instellen van kanalen door middel van het afzoeken van de frequentieband

Let op: het afzoeken van de totale frequentieband van uw antennesysteem volgens deze methode duurt ongeveer 20 minuten.

1. Zet de televisie aan waarop de CableLink 75 ontvanger is aangesloten en selecteer de Scart- of Video ingang
2. Druk op de toets CBL van uw afstandsbediening
3. Schakel nu de CableLink 75 zender en de CableLink 75 ontvanger in
4. De televisie die is aangesloten op de CableLink 75 ontvanger geeft nu (gedurende ongeveer 20 seconden) een blauw beeld met de tekst "HANDSET CODE 636". Terwijl deze tekst in beeld is dient u op een willekeurige toets (maar niet de SET-toets) van uw afstandsbediening te drukken. Richt hierbij de afstandsbediening op het venster aan de voorzijde van de CableLink 75 ontvanger.
5. Druk op de toets FINE TUNE + en houd de toets ingedrukt totdat de tekst verandert in "Fine Tune +"
6. Wacht totdat het systeem stopt met zoeken en de gevonden zender weergeeft
7. Druk op de toets CHAN ADD/DEL om de gevonden zender aan het geheugen toe te voegen (door nog een keer op deze CHAN ADD/DEL toets te drukken kunt u de zender ook weer verwijderen)
8. Herhaal stap 5 t/m 7 totdat u alle zenders heeft gevonden

NB: Wanneer de gevonden zender niet precies genoeg is afgestemd, dan kunt u door het kort indrukken van FINE TUNE – of FINE TUNE + de zender fijnafstemmen. Druk op CHAN ADD/DEL om de zender op te slaan.

6.2. Methode B: automatisch zoeken en instellen van zenders (hele kanaalnummers)

Als u zoekt via deze methode worden de zogenaamde + en – kanalen overgeslagen.

1. Zet de televisie aan waarop de CableLink 75 ontvanger is aangesloten en selecteer de Scart- of Video ingang
2. Druk op de toets CBL van uw afstandsbediening
3. Schakel nu de CableLink 75 zender en de CableLink 75 ontvanger in
4. De televisie die is aangesloten op de CableLink 75 ontvanger geeft nu (gedurende ongeveer 20 seconden) een blauw beeld met de tekst "HANDSET CODE 636". Terwijl deze tekst in beeld is dient u op een willekeurige toets (maar niet de SET-toets) van uw afstandsbediening te drukken. Richt hierbij de afstandsbediening op het venster aan de voorzijde van de CableLink 75 ontvanger.
5. Druk op SCAN
6. U ziet nu de tekst "Press again to confirm"
7. Druk nogmaals op SCAN om het automatisch zoeken te starten. Op het scherm verschijnt de tekst "Scanning, please wait". Een opwaartse pijl licht elke halve seconde op. Het automatisch scannen duurt ongeveer 1 minuut.
8. Zodra het scannen is afgerond verschijnt de tekst "Scanning complete – found XYZ channels". Daarna schakelt het systeem naar het eerste gevonden kanaal.
9. Met de CHAN+ en CHAN- toetsen kunt u nu door de gevonden kanalen "bladeren"
10. Om kanalen te uit het geheugen te verwijderen of ze na verwijdering weer terug te plaatsen, drukt u op CHAN ADD/DEL(Play toets).

6.3. Methode C: instellen van kanalen met behulp van Marmitek CableLink 75 kanaalnummers

NB. Het CableLink 75 systeem maakt gebruik van een eigen kanaalindeling. De nummers die aan de zenders worden toegewezen komen daarom NIET overeen met de nummers zoals ze zijn weergegeven op de kanalenkaart van uw kabelaanbieder of zoals u die gebruikt bij uw TV en videorecorder.

1. Zet de televisie aan waarop de CableLink 75 ontvanger is aangesloten en selecteer de Scart- of Video ingang
2. Druk op de toets CBL van uw afstandsbediening
3. Schakel nu de CableLink 75 zender en de CableLink 75 ontvanger in
4. De televisie die is aangesloten op de CableLink 75 ontvanger geeft nu (gedurende ongeveer 20 seconden) een blauw beeld met de tekst "HANDSET CODE 636". Terwijl deze tekst in beeld is dient u op een willekeurige toets (maar niet de SET-toets) van uw afstandsbediening te drukken. Richt hierbij de afstandsbediening op het venster aan de voorzijde van de CableLink 75 ontvanger.
5. Neem de kanalenkaart van uw kabelaanbieder of het zenderoverzicht voor uw regio (eigen antenne) met daarop een overzicht van de TV zenders met de daarbij horende frequenties (deze worden weergegeven in MHz).
6. Achter in deze gebruiksaanwijzing treft u een tabel aan waarin u de volgende gegevens terug kunt vinden: Frequency: frequentie van de TV zender op uw antenneaansluiting CableLink 75 channel nr.: "Kanaalnummer" wat het CableLink 75 systeem zal toekennen aan de TV zender op deze frequentie Channel Name: Hier kunt u de naam van de zender invullen
7. Zoek de frequentie van de TV zender die u zoekt (b.v. 471,25 MHz) op in de kanalenkaart van uw kabelaanbieder.
8. Zoek het CableLink 75 kanaal op in de lijst waarvan de frequentie het dichtst bij de door u gezochte frequentie ligt
9. Kijk in de kolom CableLink 75 channel nr. Geef via het numerieke toetsenbord van de afstandsbediening het CableLink 75 kanaalnummer in wat hier is weergegeven.
10. Druk op FINE TUNE + als u een frequentie zoekt welke hoger ligt. Houdt hierbij de toets ingedrukt totdat de tekst op het scherm verandert in FINE TUNE +. Druk op FINE TUNE – als u een frequentie zoekt welke lager ligt. Houdt hierbij de toets ingedrukt totdat de tekst op het scherm veranderd in FINE TUNE -
11. Na een korte tijd verschijnt de zender. Druk op de toets CHAN ADD/DEL om de gevonden zender aan het geheugen toe te voegen (door nog een keer op deze CHAN ADD/DEL toets te drukken kunt u de zender ook weer verwijderen)
12. Herhaal stap 7 t/m 11 om alle zenders vast te leggen in het geheugen

6.4. Het wissen van het geheugen

1. Zet de CableLink 75 zender uit en weer aan (met behulp van de AAN/UIT schakelaar (7)).
2. Druk tegelijkertijd op de SOURCE en op de CHAN DOWN toets (dit is de middelste van de drie toetsen)
3. In het beeld verschijnt de tekst "DELETED"

7. Universele afstandsbediening 5in1

De meegeleverde 5in1 afstandbediening heeft niet alleen functies voor uw CableLink 75 systeem (zie 5.4), maar u kunt er ook uw TV, videorecorder, DVD speler en satellietontvanger mee bedienen! De afstandbediening is in de fabriek voorgeprogrammeerd voor de meeste merken en modellen apparatuur.

7.1. Infraroodverlenger

Uw CableLink 75 systeem heeft een ingebouwde infraroodverlenger zodat u vanuit de plaats waar u TV kijkt uw videorecorder, DVD speler en satellietontvanger, welke opgesteld staan aan de kant van de CableLink zender, kunt bedienen. Hiervoor richt u met de afstandsbediening op de infraroodontvanger welke zich achter het venstertje aan de voorzijde van de CableLink 75 receiver bevindt. Deze functie werkt zowel voor de meegeleverde 5in1 afstandsbediening als voor de originele afstandsbedieningen van uw apparatuur (m.u.v 400 kHz infrarood w.o. B&O).

Om van de infraroodverlengfunctie gebruik te kunnen maken dient u de infrarood extender kabel aan te sluiten op de CableLink 75 zender. Zie 5.2 voor meer informatie.

7.2. Omschrijving van de toetsen LED indicatielampje

Het indicatielampje is aan wanneer de afstandsbediening actief is

POWER

Schakelt uw apparatuur AAN of UIT

TV, VCR, DVD, SAT

Hiermee kiest u het apparaat wat u wilt gaan bedienen

SET UP

Wordt gebruikt om de afstandsbediening in te stellen

CHAN+/-

Voor het kiezen van zenders

VOL +/-

Voor het regelen van volume

M

Mute toets. Voor het uitschakelen van de geluidsweggeve.

0-9

Voor het kiezen van zenders en nummers. Ook voor het ingeven van apparatuurcodes tijdens het instellen van de afstandsbediening.

ENTER

Werkt als bevestigingstoets voor menufuncties van uw apparatuur

A/V

Schakelt tussen TV en Video mode



MENU

Activeert het menu van het apparaat wat u bedient (mits beschikbaar)

EXIT

Sluit het menu van het apparaat wat u bedient

Cursor toetsen

Voor het navigeren en instellen van menu items van het apparaat wat u bedient

OK

Voor het kiezen van menu items van het apparaat wat u bedient

Teletekst AAN / Teletekst UIT / Teletekst HOLD

Zet de huidige pagina vast.

INFO

Schakel de scherm informatie aan of uit van het apparaat wat u bedient.

PLAY, REW, FF, STOP, PAUSE, REC

Werkt hetzelfde als uw eigen afstandsbediening. U dient de REC toets twee maal in te drukken om het opnemen te laten starten.

7.3 De afstandsbediening geschikt maken voor uw TV, videorecorder, dvd-speler en satellietontvanger.

Er zijn 2 methodes om de afstandsbediening in te stellen voor uw bestaande apparatuur (zoals TV of DVD-speler).

Methode A: De afstandsbediening geschikt maken d.m.v. het invoeren van een code uit het bijgeleverde codeboek.

Methode B: De afstandsbediening geschikt maken d.m.v. het handmatig zoeken naar codes.

Methode A

1. Zet het apparaat aan wat u wilt gaan bedienen (TV, Video, etc.)
2. Druk op de SETUP toets totdat de LED aanblijft. Laat de SETUP toets los.
3. Druk op de functietoets welke overeen komt met het type apparaat wat u wilt gaan bedienen (TV, VCR, DVD of SAT).
4. Zoek in het bijgevoegde codeboek het merk van uw apparatuur op, en geef vervolgens de bijbehorende code in.
5. Richt de afstandsbediening op het apparaat en druk op de POWER toets. Uw apparaat zou nu uit moeten gaan.
6. Zet uw apparaat aan en druk op CHAN+. Wanneer het apparaat reageert, dan is de installatie voltooid. Wanneer sommige toetsen niet werken, dan dient u de andere codes uit de codeboek voor uw merk proberen.

Opmerkingen:

Voor TV dient u de toets TV te gebruiken. Voor de andere apparatuur uit de codeboek kunt u zelf kiezen of u de VCR, SAT, of DVD toets gebruikt. Hierdoor kunt u de afstandsbediening ook gebruiken voor b.v. twee Satellietontvangers. De eerste programmeert u dan onder SAT en de tweede b.v. onder DVD.

Wanneer uw TV, Video of Satellietontvanger niet reageert, probeer dan de andere codes voor

uw merk. Wanneer dit ook niet werkt probeer dan methode B. Wanneer de LED snel knippert wanneer u de code ingeeft, dan kan het zijn dat u een ongeldige code gebruikt. Zoek de code opnieuw op in de lijst, en probeer het opnieuw.

Methode B

Wanneer u uw apparaat niet in de codelijst kunt vinden, of uw apparaat reageert niet op de door u ingegeven codes, dan kunt u proberen om de Marmitek 5in1 afstandsbediening voor uw apparaat in te stellen door het automatisch zoeken naar de juiste code:

1. Zet de apparatuur aan die u wilt gaan bedienen.
2. Druk op SETUP toets totdat de LED aanblijft. Laat de SETUP toets los.
3. Druk op de functietoets (TV, VCR, etc.) welke overeenkomt met het type apparaat wat u wilt gaan bedienen. De LED knippert eenmalig.
4. Druk telkens kort op CHAN+ totdat het apparaat wat u wilt bedienen van zender wisselt. Wanneer u per ongeluk een stap te ver gaat, dan kunt "terug stappen" door op CHAN- te drukken.
5. Druk op de ENTER toets om de installatie te voltooien.

NB: - Het kan zijn dat u de toets CHAN+ vaak moet indrukken (vaker dan 50x).

- Wanneer uw apparaat geen kanaal+/- functie heeft, gebruikt u de POWER-toets.

Bij een videorecorder gebruikt u de PLAY toets.

7.4 Identificatie van de gevonden codes

1. Druk op SETUP toets totdat de LED aanblijft. Laat de SETUP toets los.
2. Druk op de functietoets van het apparaat waarvan u de code wilt identificeren (TV, VCR, etc.). De LED knippert eenmalig.
3. Druk op SETUP. De LED knippert eenmalig.
4. Om het eerste cijfer te vinden drukt u op de toetsen 0 tot 9 totdat de LED knippert. Het nummer wat u het laatst ingedrukt heeft is het eerste cijfer van de code.
5. Druk op de toetsen van 0 tot 9 zoals boven beschreven om het tweede cijfer te vinden.
6. Druk op de toetsen van 0 tot 9 om het derde cijfer te vinden. Wanneer het derde cijfer gevonden is, gaat de LED uit.

7.5 Schakelen tussen antennesignaal en audio/video bron

Op de CableLink zender kan behalve het antennesignaal ook een externe audio/video bron aangesloten worden (bijv. een DVD speler, videorecorder of satellietontvanger). Het is mogelijk om met de CableLink afstandsbediening tussen het antennesignaal en deze externe bron te schakelen. Dit kunt u doen door op de [AV] toets van de afstandsbediening te drukken.

7.6 Wijzigen van de code van de 5in1 afstandbediening voor gebruik met de CableLink 75

Opmerking: Het is alleen nodig om de codes van de CableLink 75 afstandsbediening te wijzigen wanneer er meerdere CableLink 75 systemen worden gebruikt in uw directe omgeving (binnen 100 m). De basisinstelling van de afstandsbediening is "636".

Zo wijzigt u de code van de 5in1 afstandsbediening en van het CableLink systeem:

1. Druk op SETUP totdat de LED aanblijft
2. Druk op CBL
3. Voer één van de 4 mogelijke codes in:
639
638
637
636 (fabrieksinstelling)
4. Zet de CableLink 75 zender uit en weer aan (met de AAN/UIT Schakelaar -7-)
5. De volgende tekst verschijnt in beeld: "HANDSET CODE ABC PRESS "SET" TO CHANGE OR ANY OTHER KEY TO CONTINUE"
6. Druk op "SET". De volgende tekst verschijnt op het scherm: "PRESS AGAIN TO CONFIRM"
7. Druk nogmaals op "SET"
8. Het scherm geeft het volgende weer: "CODE XYZ ACCEPTED" (bijv. code 638 accepted)
9. Test de werking door te drukken op CHAN+ of CHAN-

7.7 De instellingen van de afstandsbediening terugplaatsen naar fabrieksinstelling

U kunt de instellingen van de afstandsbediening terugplaatsen naar fabrieksinstellingen op de volgende manier.

1. Druk de SETUP-toets in totdat de LED aanblijft.
2. Druk 2 x op de STOP-toets en vervolgens 1 x op de MUTE-toets.
3. De LED gaat uit.

8. Oplossen van problemen

De beeldkwaliteit van alle zenders is slecht

1. Soms kunnen reflecties van het signaal de kwaliteit van het signaal beïnvloeden. Verplaats dan de CableLink 75 zender of ontvanger enkele centimeters om het probleem te verhelpen.
2. Verander de kanaalinstelling (A .. D) op zowel de zender als de ontvanger. De kanaalinstelling moet op beide units hetzelfde zijn.

De beeldkwaliteit van sommige zenders is slecht

1. Ga na of de op de CableLink 75 aangesloten antennekabel in orde is. U kunt het signaal controleren door in plaats van de CableLink 75 zender een TV rechtstreeks op de antenneaansluiting aan te sluiten. Controleer met name uw antennesysteem als u merkt dat zenders met een hoge frequentie (hoge kanalen) veel ruis bevatten.
2. Wanneer de gevonden zender niet precies genoeg is afgestemd, dan kunt u door het kort indrukken van FINE TUNE – of FINE TUNE + de zender fijnafstemmen. Druk op CHAN ADD/DEL om de zender op te slaan.

De infraroodverlenger werkt niet

1. Is de infraroodextender kabel aangesloten op de CableLink 75 zender? Zijn de infraroodoogjes recht voor de infraroodontvangers van uw apparatuur geplakt (experimenteer bij twijfel met de positie van de infraroodoogjes).
2. Wanneer u een draadloze hoofdtelefoon, draadloze luidsprekers of een draadloze babyfoon gebruikt, welke op dezelfde frequentie werkt als de infraroodverlenger van uw CableLink 75 (433MHz) dan zal dit de reikwijdte aanzienlijk verminderen.

Met uw afstandsbediening is de apparatuur niet te bedienen, of werkt geheel niet

1. Gebruik handmatige bediening of de originele afstandsbediening om uzelf ervan te overtuigen dat uw apparatuur naar behoren functioneert.
2. Zorg ervoor dat u de functietoets (TV, VCR, etc.) ingetoetst heeft van het apparaat wat u wilt bedienen.
3. Probeer de code voor uw apparaat te vinden door gebruik te maken van de methode Handmatig zoeken naar codes of Automatisch zoeken naar codes.
4. Controleer de polariteit van de batterijen.
5. Vervang de batterijen

De afstandsbediening werkt niet met de CableLink 75

1. De code van de afstandsbediening komt niet overeen met de code van de CableLink set. Zie 7.6 om de code in de afstandbediening en in het CableLink 75 systeem op de juiste manier in te stellen.
2. Om de CableLink te bedienen met de bijgeleverde afstandsbediening dient u op de CableLink ontvanger te richten.
3. Om de CableLink te bedienen met de bijgeleverde afstandsbediening moet deze op de CableLink-mode staan. Dit doet u door de [CBL] toets in te drukken.
4. Wanneer u een draadloze hoofdtelefoon, draadloze luidsprekers of een draadloze babyfoon gebruikt, welke op dezelfde frequentie werkt als de infraroodverlenger van uw CableLink 75 (433 MHz) dan zal dit de reikwijdte aanzienlijk verminderen.
5. Nadat de CableLink zender aangezet wordt verschijnt het blauwe scherm met de tekst "HANDSETCODE 636 etc.". Indien u te lang wacht met bevestigen komt de set niet automatisch in de installatiemode. Hiervoor moet u de CableLink zender opnieuw uit- en inschakelen.

Mijn CableLink 75 kan geen kanalen vinden

1. Bij gebruik van de automatische zoekmethode worden alleen zogenaamde "hele" kanalen gevonden. Op sommige kabelnetwerken worden echter alleen + en – kanalen gebruikt. Deze kunt u vinden door middel van de procedure die is beschreven in paragraaf 6.1.

Ik krijg geen blauw scherm op mijn TV

1. De CableLink ontvanger is aangesloten op de Scart-ingang van uw televisie. Dit betekent dat de televisie altijd op het 'externe kanaal' of 'audio/video' kanaal geschakeld moet staan. In de handleiding van uw televisie kunt u vinden hoe dit te doen.

Ik heb de zenders geprogrammeerd op de CableLink maar ik kan niet zappen

1. Zie "de afstandsbediening werkt niet met de CableLink 75"
2. De CableLink heeft de kanalen opgeslagen in de zender. U kunt dus niet op de TV zappen, maar doet dat op de CableLink zender zelf. De TV blijft dus altijd op het 'externe' of 'audio/video' kanaal staan. Door de afstandsbediening in CableLink-mode te zetten (via [CBL]-toets) kunt u de kanalen op de CableLink-zender veranderen. Hierbij is het belangrijk dat u op de CableLink-ontvanger richt.

Ik kan de volgorde van de zenders niet veranderen

De CableLink maakt gebruik van de indeling van kanaalnummer zoals deze standaard opgeslagen zijn. Deze volgorde kan niet gewijzigd worden.

Ik hoor het geluid van de 1e TV via de CableLink op de 2e TV

U heeft waarschijnlijk bij de CableLink zender op de audio/video OUTPUT de kabel met scart-adapter TRANSMITTER aangesloten. U dient echter of de OUTPUT te gebruiken met scart-adapter RECEIVER of de INPUT met scart-adapter TRANSMITTER.

Ik krijg niet alle kanalen ingesteld op de CableLink 75

Bij gebruik van de automatische zoekmethode worden alleen zogenaamde "hele" kanalen gevonden. Op sommige kabelnetwerken worden echter alleen + en – kanalen gebruikt. Deze kunt u vinden door middel van een van de twee andere procedures die zijn beschreven in de handleiding:

- zoeken m.b.v. kanaalnummers
- handmatig zoeken

Soms komt het voor dat het signaal dat aangeboden wordt door uw kabelprovider te slecht is, of dat het signaal te vaak gesplitst is voordat het naar de CableLink zender gaat. Dit kan tot gevolg hebben dat geen kanalen worden gevonden, ofdat de kanalen die hoger in de frequentieband zitten niet gevonden worden.

Frequency MHz	CableLink 75 Channel Nr.	Channel Name
48,25	1	
55,25	2	
62,25	3	
69,25	4	
76,25	5	
83,25	6	
90,25	7	
97,25	8	
105,25	9	
112,25	10	
119,25	11	
126,25	12	
133,25	13	
140,25	14	
147,25	15	
154,25	16	
161,25	17	
168,25	18	
175,25	19	
182,25	20	
189,25	21	
196,25	22	
203,25	23	
210,25	24	
217,25	25	
224,25	26	
231,25	27	
238,25	28	
245,25	29	
252,25	30	
259,25	31	
266,25	32	
273,25	33	
280,25	34	
287,25	35	
294,25	36	

Frequency MHz	CableLink 75 Channel Nr.	Channel Name
303,25	37	
311,25	38	
319,25	39	
327,25	40	
335,25	41	
343,25	42	
351,25	43	
359,25	44	
367,25	45	
375,25	46	
383,25	47	
391,25	48	
399,25	49	
407,25	50	
415,25	51	
423,25	52	
431,25	53	
439,25	54	
447,25	55	
455,25	56	
463,25	57	
471,25	58	
479,25	59	
487,25	60	
495,25	61	
503,25	62	
511,25	63	
519,25	64	
527,25	65	
535,25	66	
543,25	67	
551,25	68	
559,25	69	
567,25	70	
575,25	71	
583,25	72	

Frequency MHz	CableLink 75 Channel Nr.	Channel Name
591,25	73	
599,25	74	
607,25	75	
615,25	76	
623,25	77	
631,25	78	
639,25	79	
647,25	80	
655,25	81	
663,25	82	
671,25	83	
679,25	84	
687,25	85	
695,25	86	
703,25	87	
711,25	88	
719,25	89	
727,25	90	
735,25	91	
743,25	92	
751,25	93	
759,25	94	
767,25	95	
775,25	96	
783,25	97	
791,25	98	
799,25	99	
807,25	100	
815,25	101	
823,25	102	
831,25	103	
839,25	104	
847,25	105	
855,25	106	

TECHNICAL DATA

Operating range:	100m open field, 15 - 30 m through walls and floors
Power:	230 VAC / 50Hz, 12 VDC, 500 mA
built in cable tuner:	VHF low, VHF high, UHF
Standard:	PAL (B/G or I, depending on model)
Compatibility:	+/- channel compatible for use in all countries using PAL
Memory:	60 channel
Transmitter:	2,4 GHz, 4 channels (A,B,C,D)
Infrared extender:	built in 433,92 MHz transmitter and receiver
Universal Remote:	Cablelink75, TV, VCR, SAT, DVD

TECHNISCHEN DATEN

Reichweite:	100 m im Freien, 15 - 30 m durch Decken und Wände
Spannung:	230VAC/50 Hz, 12 VDC, 500 mA
Eingebauter Tuner:	VHF niedrig, VHF hoch, UHF
Standard:	PAL (B/G oder I, je nach Modell)
Kompatibel:	+/- Kanal kompatibel zur Verwendung in allen PAL-Gebieten
Speicher:	60 Kanäle
Sender:	2,4GHz, 4 Kanäle (A,B,C,D)
Infrarot Extender:	Eingebauter 433,92 mHz Sender und Empfänger
Universele Fernbedienung:	Cablelink75, TV, VCR, SAT, DVD

CARACTÉRISQUES TECHNIQUES

Distance de fonctionnement:	100m en champ libre, 15 à 30m dans une maison
Alimentation:	230VAC / 50Hz, 12VDC, 500mA
Tuner:	VHF bande basse, VHF bande haute, UHF
Standard:	PAL (B/G ou I suivant modèle)
Compatibilité:	compatible avec les chaînes transmises sur une fréquence non normalisée
Mémoire:	60 chaînes
Transmetteur:	2,4 GHz, 4 canaux (A, B, C, D)
Extension infrarouge:	transmetteur et récepteur 433,92 MHz intégrés
Télécommande universelle:	CableLink75, TV, VCR, SAT, DVD

TECHNISCHE GEGEVENS

Bereik:	100m vrije veld, 15 - 30m door vloeren en muren
Voeding:	230 VAC/50 Hz, 12 VDC, 500 mA
Ingebouwde tuner:	VHF laag, VHF hoog, UHF
Standaard:	PAL (B/G of I, afhankelijk van het model)
Compatibiliteit:	+/- kanaal compatibel voor gebruik in alle PAL gebieden
Geheugen:	60 kanalen
Zender:	2,4GHz, 4 kanalen (A,B,C,D)
Infrarood extender:	Ingebouwde 433,92 MHz zender en ontvanger
Universele Afstandsbed.:	Cablelink75, TV, VCR, SAT, DVD

DECLARATION OF CONFORMITY

Hereby, Marmitek BV, declares that this Cablelink75 is in compliance with the essential requirements and other relevant provisions of Directive 1999/5/EC.

Bij deze verklaart Marmitek BV, dat deze Cablelink75 voldoet aan de essentiële eisen en aan de overige relevante bepalingen van Richtlijn 1999/5/EC.

Par la présente Marmitek BV déclare que l'appareil Cablelink75 est conforme aux exigences essentielles et aux autres dispositions pertinentes de la directive 1999/5/CE

Hiermit erklärt Marmitek BV die Übereinstimmung des Gerätes Cablelink75 den grundlegenden Anforderungen und den anderen relevanten Festlegungen der Richtlinie 1999/5/EG.

MARMITEK BV - PO. BOX 4257 - 5604 EG EINDHOVEN - NETHERLANDS

CE 0165 



WWW.MARMITEK.COM



Free Manuals Download Website

<http://myh66.com>

<http://usermanuals.us>

<http://www.somanuals.com>

<http://www.4manuals.cc>

<http://www.manual-lib.com>

<http://www.404manual.com>

<http://www.luxmanual.com>

<http://aubethermostatmanual.com>

Golf course search by state

<http://golfingnear.com>

Email search by domain

<http://emailbydomain.com>

Auto manuals search

<http://auto.somanuals.com>

TV manuals search

<http://tv.somanuals.com>