

CONTENTS (ENGLISH)		Page No
1	INTRODUCTION	2
2	UNPACKING	2
3	AMPLIFICATION	3
4	SAFETY FIRST	3
5	CABLE LENGTHS	3
6	SYSTEM CONFIGURATIONS	4
7	WARRANTY	5
8	TECHNICAL SPECIFICATIONS	6



The Martin Experience

All material © 2007. Martin Audio Ltd. Subject to change without notice.

Martin Audio – CS265

Download from www.Somanuals.com. All Manuals Search And Download.



This equipment conforms to the requirements of the EMC Directive 89/336/EEC, amended by 92/31/EEC and 93/68/EEC and the requirements of the Low Voltage Directive 73/23/EEC, amended by 93/68/EEC.

Standards Applied	EMC Emission	EN55103-1:1996
	Immunity	EN55103-2:1996
	Electrical Safety	EN60065:1993

1 INTRODUCTION

Thank you for purchasing a Martin Audio CS265, a sub-bass system designed to be used with the C115 and C516 Contractor Series loudspeakers. It incorporates two powerful 6.5" (165mm) drive units in an ultra-compact enclosure.

2 UNPACKING

Each Martin Audio loudspeaker is built to the highest standard and thoroughly inspected before it leaves the factory. After unpacking the system, examine it carefully for any signs of transit damage and inform your dealer if any such damage is found. It is suggested that you retain the original packaging so that the system can be repacked at a future date if necessary.

Please note that Martin Audio and its distributors cannot accept any responsibility for damage to any returned product through the use of non-approved packaging.

3 AMPLIFICATION

The CS265 is designed to be used with professional power amplifiers capable of producing 100-200W per channel into 4 ohms:

Care should be taken to avoid amplifier clipping. It is important to understand that a low power amplifier driven into clipping is more likely to damage a loudspeaker than a higher power amplifier used within its ratings. This is because music signals have a high peak-to-average "crest" factor. When an amplifier is severely overdriven, its output waveform is clipped (its peaks are squared off) – reducing the crest factor. In extreme cases, the waveform can approach that of a square wave. An amplifier is normally capable of producing far more power under these conditions than its undistorted rated power output.

The use of very high power amplifiers with outputs greater than those recommended is discouraged.

Care should be taken to avoid switch-on surges, which can result in momentary power peaks in excess of specified ratings. When powering up a sound system it is important to switch on the amplifiers after the mixer and control electronics have stabilised. When powering down the system, reverse the sequence and switch off the amplifiers first.

4 SAFETY FIRST

It is important that loudspeaker systems are used in a safe manner. Please take some time to review the following points concerning safe use of Contractor Series loudspeakers.

Professional loudspeakers are capable of producing extremely high sound levels and should be used with care. Hearing loss is cumulative and can result from levels above 90dB if people are exposed for a long period. Never stand close to loudspeakers driven at high level.

5 CABLE LENGTHS

When connecting loudspeaker systems to an amplifier, it is recommended that the return resistance of the cable used is less than one tenth of the nominal impedance of the system or systems in parallel. The table below gives an indication of the maximum permissible cable runs for various conductor cross-sectional areas.

Conductor CSA	Maximum Cable Run		
	4 ohms	8 ohms	16 ohms
1.0mm ²	11m	22m	44m
1.5mm ²	17m	34m	68m
2.0mm ²	22m	44m	88m
2.5mm ²	29m	58m	116m
4.0mm ²	44m	88m	176m
6.0mm ²	66m	132m	264m

6 SYSTEM CONFIGURATIONS

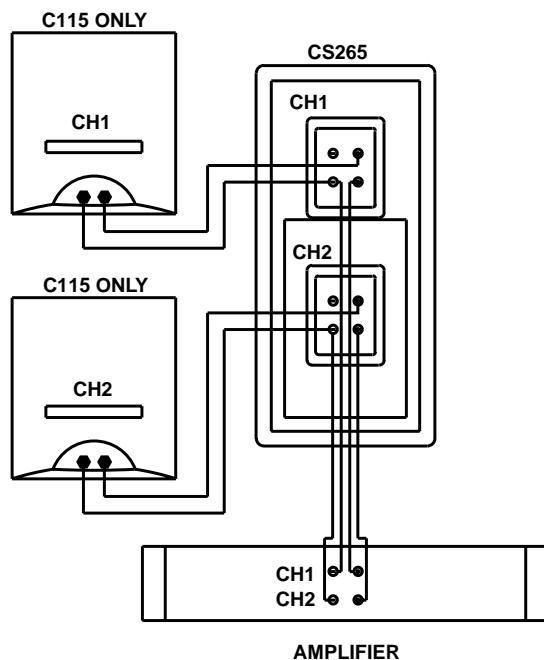
The following configurations are available:

1 x CS265 with 2 x C115

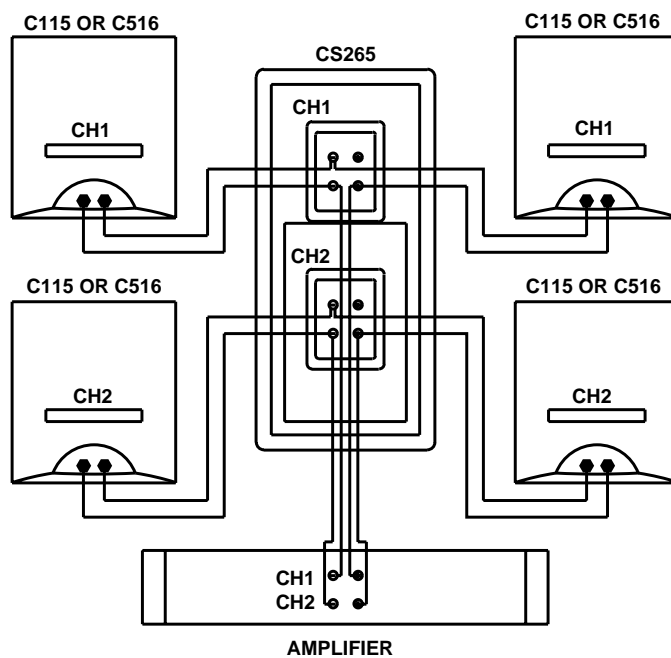
1 x CS265 with 4 x C115

1 x CS265 with 4 x C516

WIRING DIAGRAM FOR 1xCS265 AND 2xC115



WIRING DIAGRAM FOR 1xCS265 AND 4xC115 OR C516



When the systems are connected in this way, it provides the best match of sensitivity and power handling between the CS265 and C115 or C516 satellites, whilst maintaining a nominal overall impedance above 4 ohms.

The configuration 1 x CS265 with 2 x C516 is not advisable unless the amplifier is capable of 2 ohm operation.

When phase checking a system, there should be a positive output from the rectangular port of the CS265 and a negative output from the triangular ports. The output of the C115 or C516 loudspeakers should be positive in all circumstances.

7 WARRANTY

Martin Audio CS265 is warranted against manufacturing defects in materials or craftsmanship over a period of 5 years from the date of original purchase. During the warranty period Martin Audio will, at its discretion, either repair or replace products which prove to be defective provided that the product is returned in its original packaging, shipping prepaid, to an authorised Martin Audio service agent or distributor.

Martin Audio Ltd. cannot be held responsible for defects caused by unauthorised modifications, improper use, negligence, exposure to inclement weather conditions, act of God or accident, or any use of this product that is not in accordance with the instructions provided by Martin Audio. Martin Audio is not liable for consequential damages.

This warranty is exclusive and no other warranty is expressed or implied. This warranty does not affect your statutory rights.

8 TECHNICAL SPECIFICATIONS

CS265

TYPE	Low profile ultra-compact sub bass system
FREQUENCY RESPONSE	60Hz-120Hz \pm 3dB
LOW FREQUENCY LIMIT	-10dB @ 55Hz
DRIVERS	2 x 6.5" (165mm) long excursion drivers with 1.5" (38mm) voice coils
RATED POWER	200W AES, 800W peak (2 x 100W AES, 400W peak per driver)
RECOMMENDED AMPLIFIER	100-200W into 4 ohms
SENSITIVITY	93dB 1 Watt/1 metre
MAXIMUM SPL	112dB continuous, 118dB peak
IMPEDANCE	8 ohms nominal per driver
CROSSOVER	120Hz internal passive low pass filter
ENCLOSURE	44 litre (1.6 cu foot) particle board construction
CONNECTORS	Separate binding post input connectors for each driver including output connectors for C115 and C516 loudspeakers
DIMENSIONS	(W) 215mm x (H) 456mm x (D) 605mm (W) 8.5ins x (H) 18.0ins x (D) 23.8ins
WEIGHT	17.5 kg (38.5lbs)
SHIPPING DIMENSIONS	(W) 280mm x (H) 510mm x (D) 680mm (W) 11ins x (H) 20.1ins x (D) 26.8ins
SHIPPING WEIGHT	19.5kg (43lbs)

NOTES (Contractor Series – CS265)

Sensitivity measured in half-space conditions at 1 metre with 1 watt input, using band limited pink noise.

SPL measured at 1 metre using band limited pink noise.

Finish: Black.

Due to our policy of continuous improvement all specifications are subject to change without notice.

Contractor Series CS265

 Please Click here to
return to main menu

 Please Click here to
visit our website



The Martin Experience

Century Point, Halifax Road, Cressex Business Park, High Wycombe, Buckinghamshire HP12 3SL, England.

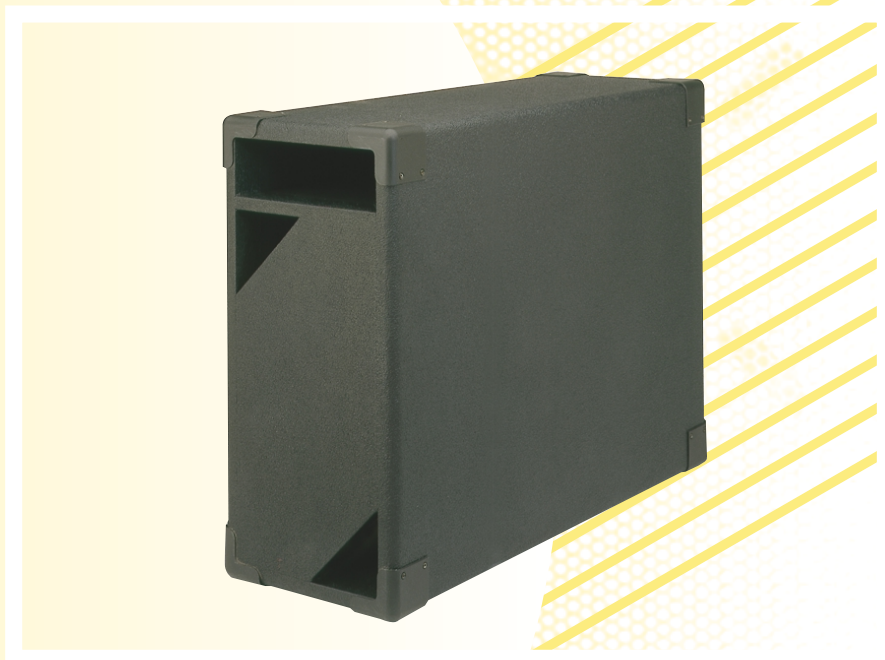
Telephone: +44 (0)1494 535312 Facsimile: +44 (0)1494 438669

Web: www.martin-audio.com E-mail: info@martin-audio.com

All material © 2007. Martin Audio Ltd. Subject to change without notice.

Contractor Series CS265

User's Guide



ENGLISH



The Martin Experience

Free Manuals Download Website

<http://myh66.com>

<http://usermanuals.us>

<http://www.somanuals.com>

<http://www.4manuals.cc>

<http://www.manual-lib.com>

<http://www.404manual.com>

<http://www.luxmanual.com>

<http://aubethermostatmanual.com>

Golf course search by state

<http://golfingnear.com>

Email search by domain

<http://emailbydomain.com>

Auto manuals search

<http://auto.somanuals.com>

TV manuals search

<http://tv.somanuals.com>