

W2

Arrayable two-way compact trapezoid system

features

- ▶ Arrayable compact trapezoid enclosure
- ▶ High SPL output capability
- ▶ 70° coverage angle
- ▶ Multi-laminate birch plywood construction
- ▶ Switchable active/passive operation
- ▶ Certified MAN quick-connect flying option

applications

- ▶ Theatre sound systems
- ▶ Club sound reinforcement
- ▶ Underslung/infill for concert sound reinforcement
- ▶ Music playback in nightclubs
- ▶ On-stage instrument monitor



touring and theatre

The qualities of the Wavefront W2 have established its success as a powerful stand-alone system. This switchable active/passive two-way cabinet uses specialist high power drive units to achieve maximum SPL's from a very compact enclosure.

It combines smooth, dynamic full frequency performance with exceptional articulation for a portable stand-alone system. Designed to meet the industry requirement for a 12" (300mm) driver plus horn configuration, Martin Audio's version is more refined for superior, professional results.

Century Point, Halifax Road, Cressex Business Park,
High Wycombe, Buckinghamshire HP12 3SL, England.
Telephone: +44 (0)1494 535312 Facsimile: +44 (0)1494 438669
E-mail: info@martin-audio.com
All information is Copyright © 2006 Martin Audio Ltd.

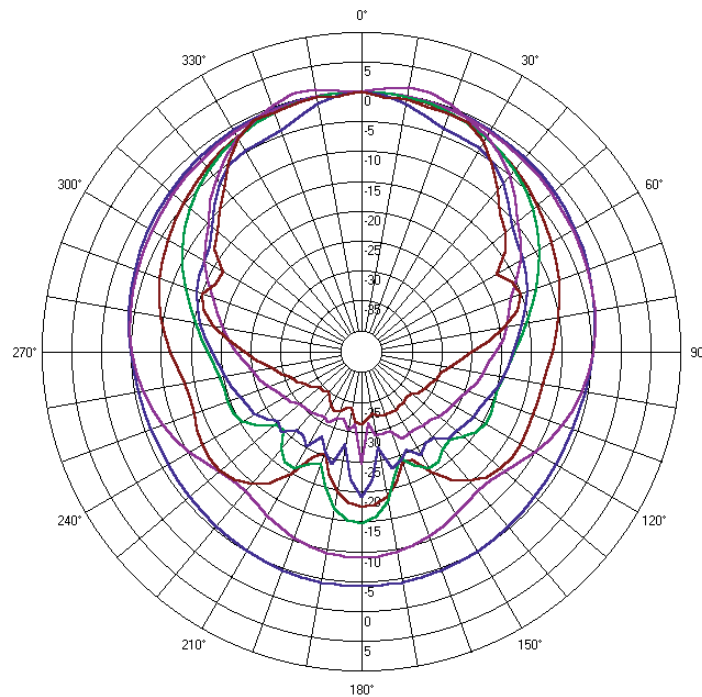
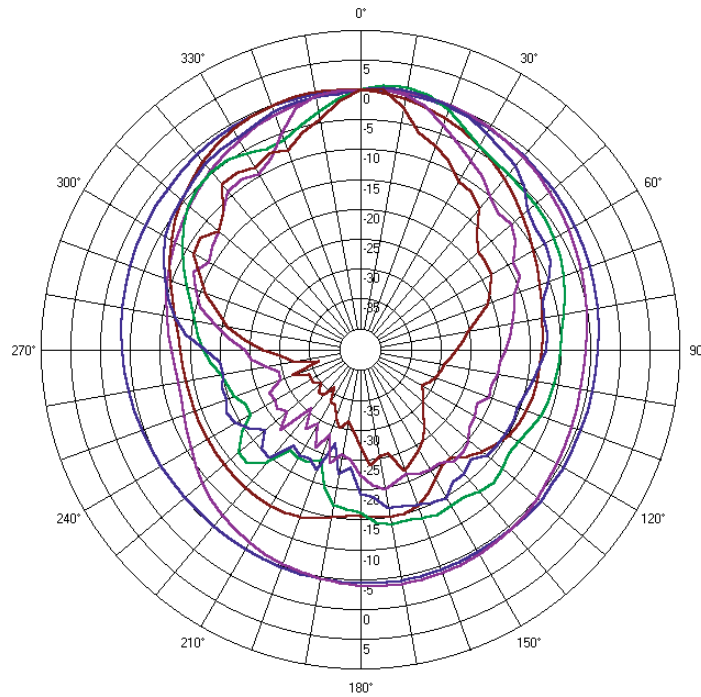


W2

Arrayable two-way compact trapezoid system

polar plots

touring and theatre



Century Point, Halifax Road, Cressex Business Park,
High Wycombe, Buckinghamshire HP12 3SL, England.
Telephone: +44 (0)1494 535312 Facsimile: +44 (0)1494 438669
E-mail: info@martin-audio.com
All information is Copyright © 2006 Martin Audio Ltd.



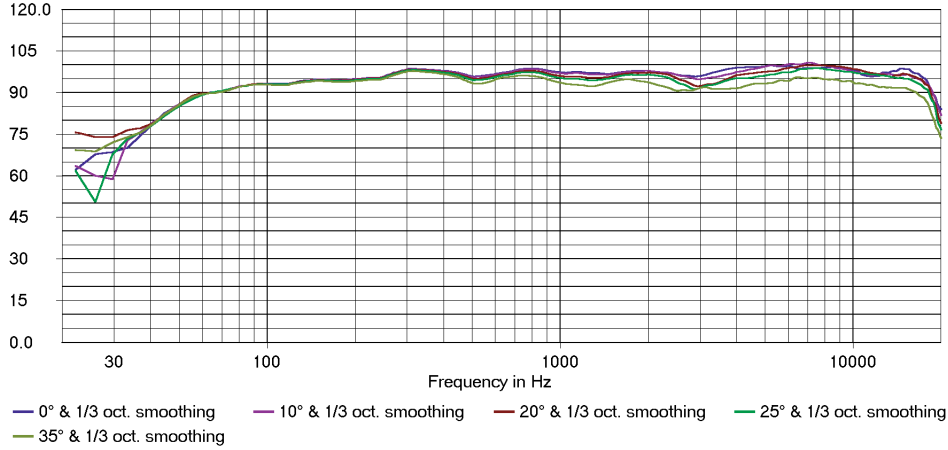
W2

Arrayable two-way compact trapezoid system

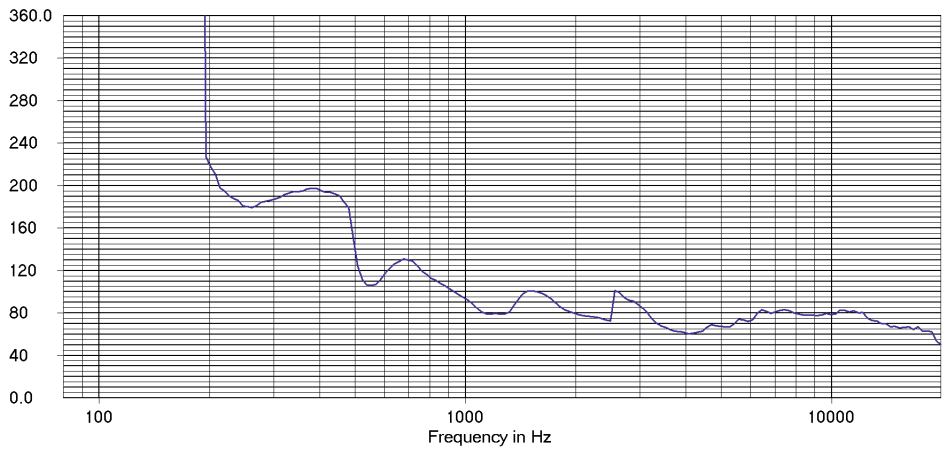
frequency responses

touring and theatre

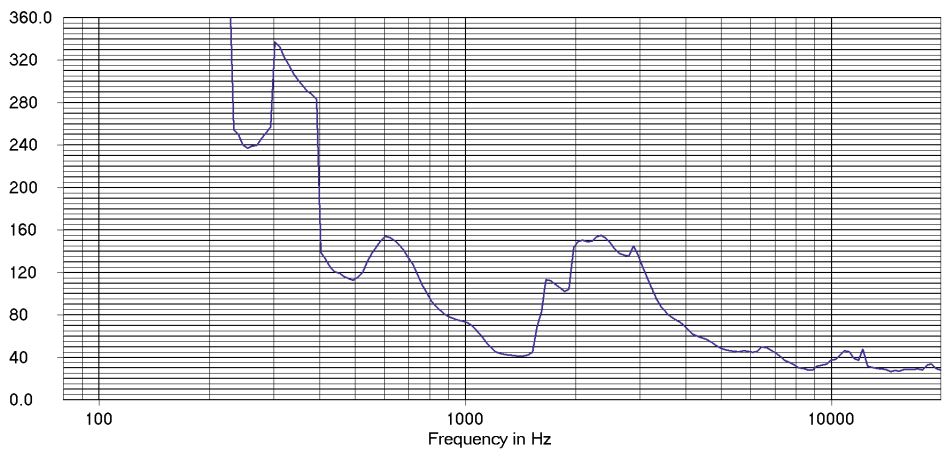
W2 Horizontal Magnitude in dB SPL/2.83V at 1 meter



W2 Horizontal Beamwidth



W2 Vertical Beamwidth



Century Point, Halifax Road, Cressex Business Park,
High Wycombe, Buckinghamshire HP12 3SL, England.
Telephone: +44 (0)1494 535312 Facsimile: +44 (0)1494 438669
E-mail: info@martin-audio.com
All information is Copyright © 2006 Martin Audio Ltd.

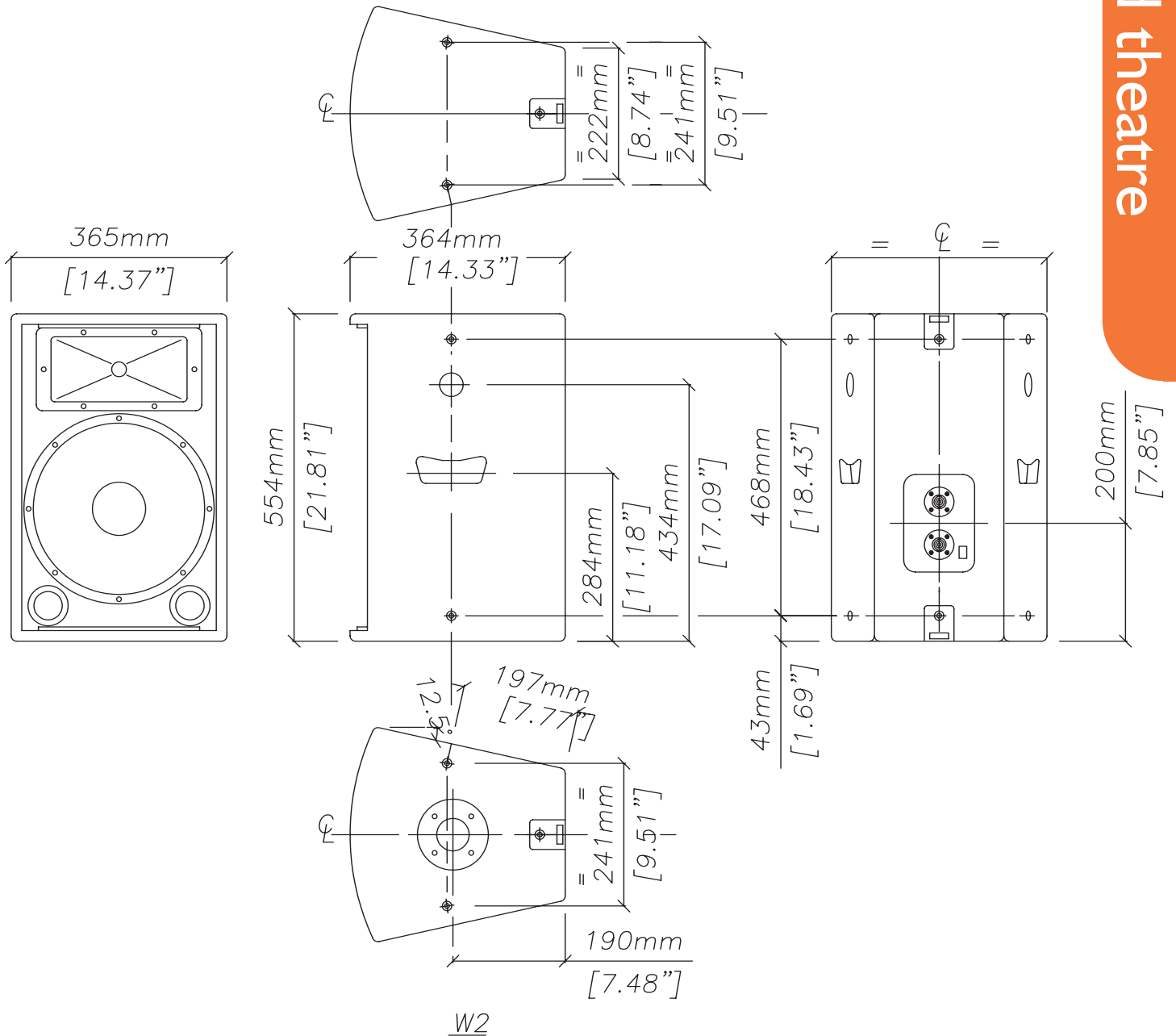


W2

Arrayable two-way compact trapezoid system

overall dimensions

touring and theatre



Century Point, Halifax Road, Cressex Business Park,
High Wycombe, Buckinghamshire HP12 3SL, England.
Telephone: +44 (0)1494 535312 Facsimile: +44 (0)1494 438669
E-mail: info@martin-audio.com
All information is Copyright © 2006 Martin Audio Ltd.



W2

Arrayable two-way compact trapezoid system

technical specifications

TYPE	Compact two-way trapezoid, switchable active/passive
FREQUENCY RESPONSE (5)	60Hz-18kHz \pm 3dB -10dB @ 50Hz
DRIVERS	12" (300mm) / 3" (75mm) voice coil 1" (25mm) exit HF compression driver
RATED POWER (2)	LF/(LF + HF): 300W AES, 1200W peak HF: 60W AES, 240W peak
RECOMMENDED AMPLIFIER	400-550W into 4 ohms
SENSITIVITY (6)	LF/(LF + HF): 98dB HF: 106dB
MAXIMUM SPL (7)	122dB continuous, 128dB peak
NOMINAL IMPEDANCE	LF/(LF + HF) 8 ohms HF: 8 ohms
DISPERSION (-6dB)	70° horizontal, 40° vertical
CROSSOVER	1.5kHz active/passive
FINISH	Textured grey paint
PROTECTIVE GRILLE	Grey perforated steel
CONNECTORS	2 x Neutrik NL4
FITTINGS	8 x M8 1 x mounting pole socket 2 x MAN blanking plates 2 x rear kelp fittings
DIMENSIONS	(W) 365mm x (H) 554mm x (D) 364mm (W) 14.4ins x (H) 21.8ins x (D) 14.3ins
WEIGHT	24kg (53lbs)

accessories

HTKEM03A	Flying yoke
HTKCT05	8mm Shouldered eye bolt
GPT060	Fitted enclosure flying points
HTKLI5	Lightweight install stud

Notes

- (1) Measured on-axis in half space at 2 metres, then referred to 1 metre.
- (2) AES Standard ANSI S4.26-1984.
- (3) Measured in half space at 2 metres with 1 watt input, using band limited pink noise, then referred to 1 metre.
- (4) Measured in half space at 2 metres using band limited pink noise, then referred to 1 metre.
- (5) Measured on-axis in open (4 π) space at 2 metres, then referred to 1 metre.
- (6) Measured in open (4 π) space at 2 metres with 1 watt input, using band limited pink noise, then referred to 1 metre.
- (7) Measured in open (4 π) space at 2 metres using band limited pink noise, then referred to 1 metre.

Trade Descriptions Act

Due to Martin Audio's policy of continuing improvement, we reserve the right to alter these specifications without prior notice. Martin Audio is committed to refining state of the art sound reinforcement, combining in-depth product and field applications research with advanced manufacturing techniques. Every Martin Audio product is built to the highest manufacturing standards and rigorously tested to ensure that it meets the performance criteria specified in the design.

architectural and engineering specifications

The loudspeaker system shall be of the two-way switchable active/passive type consisting of one 12" (300mm) direct radiating reflex loaded low frequency transducer and one 1" (25mm) exit HF compression driver mounted on a constant directivity horn in a trapezoidal plywood enclosure. The enclosure shall be fitted with an integral pole mounting socket and threaded inserts for wall and ceiling mounting. Active or passive operation shall be selected by a switch at the rear of the enclosure. In active mode the loudspeaker shall be bi-amped and operated with a separate electronic controller. In passive mode, low and high frequency sections shall be integrated by an internal 1.5kHz passive crossover network.

Performance of the loudspeaker system with its electronic controller shall meet or exceed the following criteria:

Frequency response measured 1 metre on axis shall be 60Hz-18kHz \pm 3dB.

High frequency dispersion at -6dB points shall be 70° H x 40° V.

Power handling shall be 300W AES, 1200W peak (LF/HF), 60W AES, 240W peak HF

Rated impedance shall be 8 ohms LF/(LF+HF), 8 ohms HF.

Maximum SPL measured at 1 metre on axis shall be 122dB continuous, 128dB peak.

Dimensions (W) 365mm x (H) 554mm x (D) 364mm (14.4ins x 21.8ins x 14.3ins).

Weight 24kg (53lbs).

The loudspeaker system shall be the Martin Audio W2.

Century Point, Halifax Road, Cressex Business Park,
High Wycombe, Buckinghamshire HP12 3SL, England.
Telephone: +44 (0)1494 535312 Facsimile: +44 (0)1494 438669
E-mail: info@martin-audio.com
All information is Copyright © 2006 Martin Audio Ltd.



Free Manuals Download Website

<http://myh66.com>

<http://usermanuals.us>

<http://www.somanuals.com>

<http://www.4manuals.cc>

<http://www.manual-lib.com>

<http://www.404manual.com>

<http://www.luxmanual.com>

<http://aubethermostatmanual.com>

Golf course search by state

<http://golfingnear.com>

Email search by domain

<http://emailbydomain.com>

Auto manuals search

<http://auto.somanuals.com>

TV manuals search

<http://tv.somanuals.com>