

MICROTORCH MT-5 POCKET SIZED - BUTANE POWERED

FEATURES:

- **Compact Pocket Sized** – Fits easily into pocket or any tool kit
- **Self-igniting Piezo Electric Ignition** – Easy to start, eliminates the need for lighters and matches
- **Hands Free Mode**
- **Adjustable Flame Height** – For temperatures up to 2500°F/1300°C blue flame
- **Safety Lock** – Prevents unintentional ignition
- **Safety Cap** – Attached with chain
- **Wind Resistant Flame** – Perfect for outdoor use
- **Water Resistant Ignition** – Resists moisture
- **Refillable** – Easy and inexpensive to refill using Master Ultratane[®] butane
- **Built-In-Stand** – Perfect for hands free operation
- **Fuel Reservoir Window**



P/N 10448 P/N 51773

**USE ONLY
MASTER ULTRATANE[®]
BUTANE FUEL**
Unit Shipped Without Fuel

SPECIFICATIONS:

SIZE (mm)	75 x 32 x 21 mm
WEIGHT (g)	45 g/empty
FUEL	Master Ultratane [®] Butane
NONSTOP RUN TIME	20 minutes at 100%
FLAME TEMP.	2500°F, 1300°C (Blue Flame)
FUEL CAPACITY	4 g
MAX TANK PRESSURE	65 Kg/mm ² MAX

WARNING: This product, when used for soldering and similar applications, produces chemicals known to the state of California to cause cancer and birth defects or other reproductive harm.

WARNING: The Department of Transportation Hazardous Material Regulations forbid carriage of butane or other flammable gas products on passenger aircraft. Do not pack this item or any other flammable gas item, in any checked or carry-on baggage.



**KEEP OUT OF
REACH OF
CHILDREN.**

Master P/N 10715
Made in Taiwan

MASTER APPLIANCE CORP.
2420-18th Street
Racine, WI 53403 U.S.A.
PHONE: 262-633-7791
FAX: 262-633-9745
www.masterappliance.com

E-mail: sales@masterappliance.com

MASTER[®]
APPLIANCE
Designers and Manufacturers of Heat Tools for Industry

MICROTORCH MT-5 POCKET SIZED - BUTANE POWERED

APPLICATIONS:

- Electrical/
Electronic Repair
- Shrinking/
Terminating
Environmental
Connectors
- Soldering,
Desoldering
- Melting Plastic
or Rubber Parts
- Joining or Cutting
Synthetic Materials
- Hardening Metal
- Shrink Tubing
- Wood Burning
- Sterilize Surfaces
- Thaw Frozen Locks
- Heating & Lighting
- New Hands Free Mode

SAFETY & WARNING:
Please read all safety, warning and instructions on insert before using.
Keep out of reach of children.

MICROTORCH MT-5

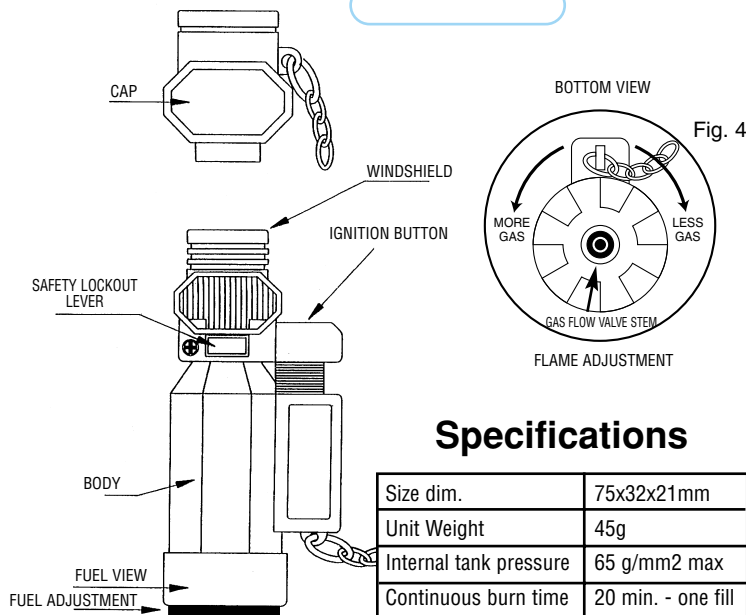


Fig. 4

Specifications

Size dim.	75x32x21mm
Unit Weight	45g
Internal tank pressure	65 g/mm2 max
Continuous burn time	20 min. - one fill

Please read and understand all warnings and instructions.

To ignite unit (figure 2)

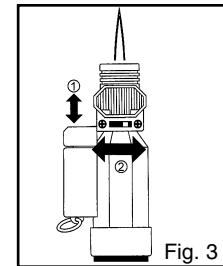
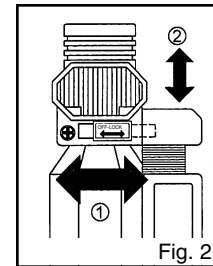
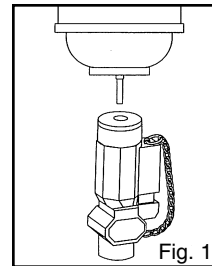
- Remove safety cap.
- Slide lockout lever to off position and hold in position while slowly depressing ignition button.
- After a few attempts if no flame appears, fine tune the unit's gas flow and retry ignition step above.

To adjust fuel flow (figure 4)

- Adjust the unit fuel flow by turning the black fuel flow adjustment wheel at bottom of unit. A 1/4 inch turn CW/CCW will usually be all that is needed. Note: Extreme caution must be taken not to over adjust fuel flow. If you are unable to make proper adjustment, please call customer service. As the gas is consumed, the gas flow can be adjusted periodically to ensure proper flame height. It is recommended that the user set the flame height to 1/2 inch to 1 inch. If the flame height is set outside these limits the fuel flow / flame may become unstable and cause premature clogging or ignition failure.

Hands free mode (figure 3)

- To engage hands free mode follow ignition steps above and once the unit is ignited, position slide stem button (found on backside of unit) to full right position. This will allow hands free operation of unit.



To extinguish flame / Turn off gas flow

- **From Normal Use:** Release pressure from ignition button. Unit will shut off immediately. (figure 2)
- **From Hands free use:** Slide hands free slide stem to full left position. Unit will shut off immediately (figure 3).

CAUTION:

1. Keep out of reach of children.
2. Do not touch flame guard when hot!
3. Butane gas is extremely flammable, please handle with care.
4. Always point away from eyes and body when igniting or operating.
5. Do not store under direct sunlight or anywhere that will exceed 104°F/40°C.
6. Under no circumstances should you attempt to repair a damaged torch.
7. After using, let the tool cool down before storing.

Contains flammable gas under pressure. Do not use near sparks or open flame. Do not puncture or incinerate container.

To refuel unit. (figure 1)

- Make sure the unit is OFF and COOL to touch.
- Make sure the protective cap is on nozzle.
- Use only Master Ultratane® butane to refuel unit, hold unit firmly with filler valve pointing up. Place nozzle of butane canister down onto refill valve and press butane canister down and up in short duration until fuel tank is filled. Allow 2 -3 minutes for gas to stabilize after filling unit.
- Flame is invisible in direct sunlight. Use caution.
- Point away from face and body when igniting.
- Use in well ventilated areas.
- Always have a fire extinguisher/ bucket of water nearby work area.
- The tank contents are visible through the clear viewing port on the unit.

MASTER
APPLIANCE
Designers and Manufacturers of Heat Tools

2420-18th Street, Racine, WI 53403 U.S.A.
PHONE: 262-633-7791 FAX: 262-633-9745
www.masterappliance.com
E-mail: sales@masterappliance.com

Free Manuals Download Website

<http://myh66.com>

<http://usermanuals.us>

<http://www.somanuals.com>

<http://www.4manuals.cc>

<http://www.manual-lib.com>

<http://www.404manual.com>

<http://www.luxmanual.com>

<http://aubethermostatmanual.com>

Golf course search by state

<http://golfingnear.com>

Email search by domain

<http://emailbydomain.com>

Auto manuals search

<http://auto.somanuals.com>

TV manuals search

<http://tv.somanuals.com>