

MASTER[®]
A P P L I A N C E

Proheat[®] Heat Gun



*Designers and Manufacturers
of Heat Tools for Industry
Fabricants d'outils chauffants pour
usages industriels
Diseñadores y fabricantes de
herramientas térmicas para la industria*

Instruction Manual Mode d'emploi Manual de instrucciones

Made in U.S.A.
Fabriqué aux États-Unis
Hecho en EE.UU.

Please read, understand and keep this
manual for future reference

Lire et bien comprendre les instructions
contenues dans ce manuel et les conserver comme référence.

Por favor, lea, comprenda y guarde este manual para futura referencia.
Download from www.SoftManuals.com. All Manuals Search And Download.

Description & Introduction

The Proheat® Heat Gun is a compact, lightweight, easy-to-use heat gun. Its compact size and lightweight design make it easy to use in close quarters with minimum operator fatigue. This multi-purpose tool provides a fast flow of heated air and is well suited for a variety of flameless heat applications such as activating adhesives, bending and forming plastics, defrosting frozen coils, drying negatives and

parts, heating solids and liquids, loosening nuts and bolts, removing vinyl, shrinking tubing and packaging, softening materials and stripping paint. It's your dependable answer, "wherever a fast, portable, heat is the need."

Heat guns are a source of extremely high temperature flameless heat (up to 1050°F/566°C). As with other products which generate

extremely high temperatures, regardless of your specific application, extreme care and caution should be observed when using this product. Therefore, we recommend that you pay particular attention to the safety instructions which we have provided for your protection.

Specifications

| | PH-1100 | PH-2100 |
|-----------------------|--------------------|--------------------|
| Volts | 120 | 220 |
| Cycles | 60 Hz | 50 Hz |
| Watts | 750-low, 1450-high | 750-low, 1300-high |
| Temp. nozzle at 1" | 570°F-1050°F | 485°F-800°F |
| Air velocity | 3650 FPM | 3650 FPM |
| Air volume | 15 CFM | 15 CFM |
| Net. wt. | 1 lb. 10 oz. | 1 lb. 10 oz. |
| Ship wt. | 2 lbs. | 2 lbs. |
| Cord length | 6 ft. | 6 ft. |
| Approvals | UL & CSA | — |
| Overall dimensions | 8.25"L, 3"W, 7.3"H | 8.25"L, 3"W, 7.3"H |
| Nozzle diameter (end) | 1.3" | 1.3" |

Important Safety Instructions

Read These Instructions.

WARNING: Extreme care should be taken when stripping paint. The peelings, residue and vapors of paint may contain lead, which is poisonous. Any pre-1977 paint may contain lead and paint applied to homes prior to 1950 is likely to contain lead. Once deposited on surfaces, hand to mouth contact can result in the ingestion of lead. Exposure to even low levels of lead can cause irreversible brain and nervous system damage; young and unborn children are particularly vulnerable.

Before beginning any paint removal process you should determine whether the paint you are removing contains lead. This can be done by your local health department or by a professional who uses a paint analyzer to check the lead content of the paint to be removed. **LEAD BASED PAINT SHOULD ONLY BE REMOVED BY A PROFESSIONAL AND SHOULD NOT BE REMOVED USING A HEAT GUN.**

Hidden areas such as behind walls, ceilings, floors, soffit boards and other panels may contain flammable materials that could be ignited by the heat gun when working in these locations. The ignition of these materials may not be readily apparent and could result in property damage and injury to persons.

When working in these locations, keep the heat gun mov-

ing in a back-and-forth motion. Lingering or pausing in one spot could ignite the panel or the material behind it.

Persons removing paint should follow these guidelines:

1. Move the work piece outdoors. If this is not possible, keep the work area well ventilated. Open the windows and put an exhaust fan in one of them. Be sure the fan is moving the air from inside to outside.
2. Remove or cover any carpets, rugs, furniture, clothing, cooking utensils and air ducts.
3. Place drop cloths in the work area to catch any paint chips or peelings. Wear protective clothing such as extra work shirts, overalls and hats.
4. Work in one room at a time. Furnishings should be removed or placed in the center of the room and covered. Work areas should be sealed off from the rest of the dwelling by sealing doorways with drop cloths.
5. Children, pregnant or potentially pregnant women and nursing mothers should not be present in the work area until the work is done and all clean up is complete.
6. Wear a dust respirator mask or a dual filter (dust and fume) respirator mask which has been approved by the Occupational Safety and Health Administration (OSHA), the National

Institute of Safety and Health (NIOSH), or the United States Bureau of Mines. These masks and replaceable filters are readily available at major hardware stores. Be sure the mask fits. Beards and facial hair may keep masks from sealing properly. **PAPER MASKS ARE NOT ADEQUATE.**

7. Use caution when operating the heat gun. Keep the heat gun moving, as excessive heat will generate fumes which can be inhaled by the operator.
8. Keep food and drink out of the work area. Wash hands, arms and face and rinse mouth before eating or drinking. Do not smoke or chew gum or tobacco in the work area.
9. Clean up all removed paint and dust by wet mopping the floors. Use a wet cloth to clean all walls, sills and any other surface where paint or dust is clinging. **DO NOT SWEEP, DRY DUST OR VACUUM.** Use a high phosphate detergent or trisodium phosphate (TSP) to wash and mop areas.
10. At the end of each work session put the paint chips and debris in a double plastic bag, close it with tape or twist ties and dispose of properly.
11. Remove protective clothing and work shoes in the work area to avoid carrying dust into the rest of

Important Safety Instructions (cont'd)

- the dwelling. Wash work clothes separately. Wipe shoes off with a wet rag that is then washed with the work clothes. Wash hair and body thoroughly with soap and water.
- 12. WARNING:** To reduce the risk of fire or electric shock, do not expose heat guns to rain or moisture. Store indoors. Connect to grounded outlet only.
 13. Do not use plug adapters or remove the ground prong from the plug. This tool is equipped with a 3-prong plug and a 3-wire grounding system. Connect to properly grounded outlets only.
 14. Use heat gun only on adequately rated circuits to avoid overheating of electrical systems.
 15. Proheat® Heat Guns can produce up to 1050°F of flameless heat out of the nozzle. Do not direct this hot air stream at your clothing, hands or body parts. Do not use as a hair dryer.
 16. Do not touch nozzle opening or nozzle shield until cool. When in "Hot" mode, extreme heat is generated at those areas. Always hold tool by the handle or use permanently attached stand.
 17. Run on cool before turning off. The nozzle and shield require approximately 3 minutes to become cool to the touch. Stand the unit on its end with the nozzle pointing upward after turning off.
 18. Do not touch work surface with nozzle. Scrape paint with nozzle face at least 1" away.
 19. Keep a clean work area. Messy or cluttered work areas invite accidents or injury.
 20. Keep away from children. All visitors should be kept at a safe distance from the work area. Do not let visitors touch the tool or extension cord.
 21. Use tool in a well-ventilated area. Do not use near flammable liquids or in an explosive environment (where fumes, gases or dust are present).
 22. Remove all highly flammable materials and other debris from the work area.
 23. Wear safety glasses at all times.
 24. When using an extension cord, use only a 3-wire grounded cord with a minimum of 14-gauge capacity. We recommend they be listed by Underwriters Laboratories (UL) in the U.S.A. or (CSA) Canadian Standards Association in Canada and be suitable for outdoor use. Cords marked for outdoor use are also suitable for indoor use.
 25. Don't abuse cordset. Never pull by cord to remove from electrical outlet or carry tool by cord.
 26. When not hand-held, place tool on a level surface. Position cordset so it does not cause tipping.
 27. Keep a fully-charged fire extinguisher close at hand.
 28. Do not leave heat gun unattended while it is running or cooling down.
 29. Stay alert. Do not operate tool when you are tired. Use common sense and watch what you are doing.
 30. Store properly. Do not store while hot. Store in a dry, high or locked-up location. Keep out of the reach of children.
 31. Always unplug tool before performing any maintenance. When servicing, use only Master Appliance brand replacement parts. We recommend that all maintenance be performed by a qualified repair technician who is experienced in the repair of electric tools, a qualified service organization, or our repair staff.

For factory repair service, send product to:

Master Appliance Corp.
Attn: Repair Department
2420 - 18th Street
Racine, WI 53403

Save These Instructions.

Operating Instructions

The proper amount of heat for each application is dependent upon the distance of the nozzle from the work surface and the length of time that heat is applied to the work surface.

Before performing any application, we recommend that you experiment with a piece of scrap material. Use care in approaching the work until you find the proper combination of heat adjustment control, distance from the work surface, and the heat application time.

Use a gentle back and forth motion when applying heat unless it is found that a concentrated heat is desired.

To Operate Heat Gun

- 1) Plug heat gun into properly rated outlet.
- 2) Move rocker switch to "Hot" position. Heat gun will come up to operating temperature in approximately two minutes.
- 3) Move switch to "Off" position.

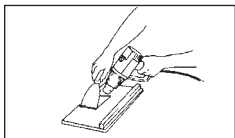
CAUTION: Do not place unit on its side while using spreader or heat shrink attachments.

Typical Applications



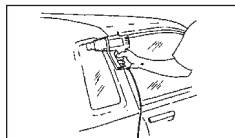
Shrink Packaging

Use low or high heat



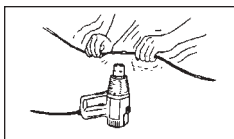
Strip Paint

Use low or high heat



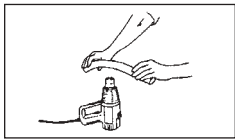
Install Vinyl

Use low or high heat



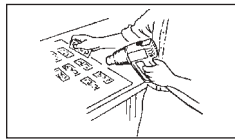
Shrink Tubing

Use low or high heat



Bend PVC Tubing

Use high heat



Dry Film

Use low heat

Paint Stripping Safety Instructions

- 1) **WARNING:** With a heat gun, as with all other heat tools, keep a fire extinguisher handy and observe all sensible fire precautions.

We do not recommend using this heat gun on hollow surfaces such as outdoor siding, walls, soffits, panels and partitions, etc. These areas often contain flammable materials such as dust, wood chips, insulation, rodent nests and other debris which could accidentally ignite.

Your heat gun is best used for stripping paint from solid woodwork with ins and outs, such as solid interior trim, mouldings, turnings, doors balusters and porch trim, etc.

When stripping paint, always keep the heat gun moving in a continuous back and forth motion. Stopping or pausing too long in one spot could ignite the surface you are working on or the area behind it.

- 2) Do not breathe or swallow lead based paint in any form. Many old homes and other buildings contain lead based paint. Dust, scrapings, residues and vapors of lead based paint are extremely poisonous. Prevent possible lead poisoning when stripping this type of paint by using adequate ventilation (such as a window fan in the exhaust mode), and keeping a clean work area. When dust or

vapors are present, use a respirator designed to filter lead. Move work outside when possible.

Failure to follow adequate safety precautions when working with lead based paint could result in lead poisoning. See our Paint Stripping instructions for more information.

- 3) Keep away from chemical paint strippers which can ignite or release harmful vapors.
- 4) Use adequate ventilation (such as a window fan in exhaust mode) and keep your work area clean.
- 5) Wear gloves and safety glasses at all times.
- 6) Keep a fully charged fire extinguisher close at hand.
- 7) Stay alert, watch what you are doing, and use common sense.

Stripping Paint

- 1) To strip paint, turn unit on and hold it about 1 inch from the surface being stripped. Proper distance and speed of stripping should be determined by experience. It is an advantage to hold the gun further from the surface and to move forward slowly. Slower speed is compensated by the wider softened areas. Heat will also penetrate deeper.

- 2) As paint begins to blister and bubble, move gun slowly in a steady progression across the surface. Follow closely with a scraping knife (a 2-inch-wall scraper works best) to scrape the loosened paint. Preheat scraper as you are heating the paint surface. This increases the speed of paint stripping.

- a. Removal of paint by using heat is based on the fact that all organic paints soften at elevated temperatures. When soft, the paint can be easily lifted off without damage to the surface.
 - b. When stripping paint from grooves in mouldings, you can devise your own scraping tools. Old screwdrivers with ground-down blades and linoleum knives are often used.
- 3) Move switch to "Low" after use. Run for three minutes and turn to "Off" .

Maintenance Instructions

All repairs and maintenance in this instruction manual must be performed by a qualified repair technician who is experienced with the repair of electric tools, a qualified service organization, or Master Appliance Corp.'s Repair Department.

For prompt and efficient maintenance and repair service, return your product to:

Master Appliance Corp.

Attn: Repair Department
2420 - 18th Street
Racine, WI 53403

Please enclose a note describing your problem and your phone number.

WARNING: Always unplug your tool before performing any maintenance or repairs. Use only identical Master Appliance brand replacement parts.

Heating Elements

Heating element abuse and eventual burnout can occur from one of the following conditions:

- 1) Inadequate blower speed
- 2) High line voltage
- 3) Improper attachment
- 4) Improper placement of element or mica insulator sheets.
- 5) Nozzle too close to work being heated (less than 1").

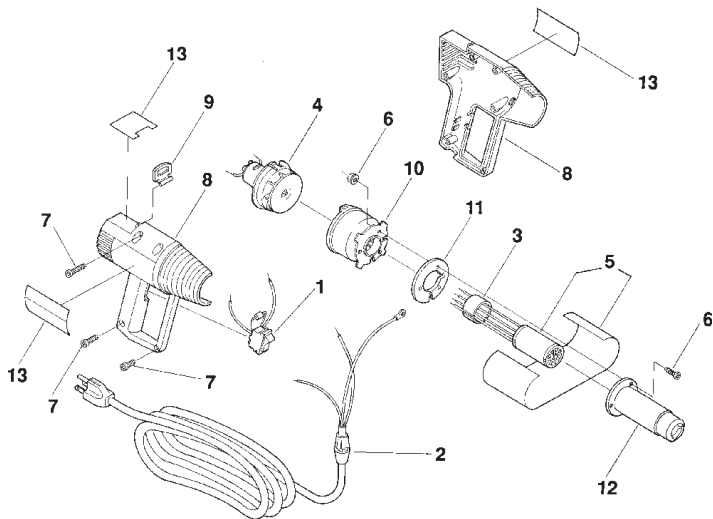
Lubrication

The bearings are lubricated at the factory and require no further lubrication.

Cleaning

Unplug heat gun before cleaning. To clean outside of tool, use only a mild soap and damp cloth. Do not use other cleaning agents, turpentine, gasoline, lacquer or paint thinner, or other solvents that may contain chemicals which are harmful to plastics and other insulating materials. Never immerse tool in a liquid or allow a liquid to enter inside the tool. Make sure all vents and openings are free and clear of debris.

Exploded View



Proheat® Replacement Parts

Proheat® Heat Gun replacement parts and accessories are engineered and manufactured to precise Master Appliance specifications. Replacement parts and accessories from other manu-

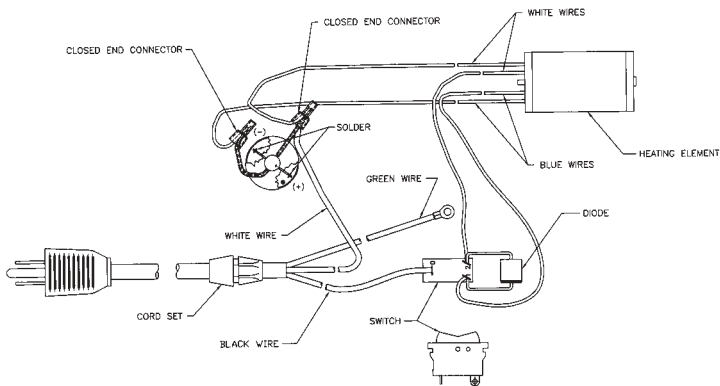
facturers are not produced to these precise specifications, and therefore may cause difficulties with or actual damage to a Proheat® Heat Gun. Master Appliance cannot assume any responsibility or






liability for difficulties resulting from the use of any other brand of replacement parts or accessories with a Proheat® Heat Gun.

| Item No. | PH-1100 Part No. | PH-2100 Part No. | Description |
|----------|------------------|------------------|--------------------------------|
| 1 | 35000 | 35020 | Switch assembly |
| 2 | 35001 | 35021 | Cordset with connector |
| 3 | 35002 | 35002 | Aluminum retaining spacer |
| 4 | 35003 | 35003 | Motor & fan assembly |
| 5 | 35004 | 35022 | Heating element kit |
| 6 | 35010 | 35010 | Nozzle screws (4) & nuts (5) |
| 7 | 35011 | 35011 | Housing screws (6) |
| 8 | 35012 | 35023 | Right & left housings & labels |
| 9 | 35013 | 35013 | Hanger hook |
| 10 | 35014 | 35014 | Turbine housing |
| 11 | 35015 | 35015 | Heat barrier |
| 12 | 35018 | 35018 | Nozzle |
| 13 | 35019 | 35024 | Housing labels (3) |

NOTE: All necessary hardware is included to make each replacement complete.

Wiring Diagram



| Attachments | Part No. | Description |
|---|----------|------------------------|
|  | 35016 | Spreader Attachment |
|  | 35017 | Heat Shrink Attachment |
|  | 35026 | Nozzle Shield |
|  | 35216 | Bench Stand |
|  | 35351 | Storage Case |

Full One Year Warranty

Your Proheat® Heat Gun was carefully tested and inspected before it was shipped from the factory. We warrant this product to be free from defects in materials and workmanship under normal use and service for one year from date of purchase. In the event of a defect in materials or workmanship, we will either repair or replace, without charge, at our option, any part which in our judgment shows evidence of such defect.

This warranty does not apply to the attachments, the brush motor, or the heating element, which are items requiring periodic replacement, nor does it apply if the Proheat® Heat Gun has been misused, abused, tampered with, or altered. At the end of the warranty period, Master Appliance shall be under no further obligation, expressed or implied. Some states do not

allow limitations on how long an implied warranty lasts, so the above limitation may not apply to you.

Master Appliance assumes no responsibility for and this warranty shall not cover any incidental or consequential damages from any defect in this product or its use. Some states do not allow the exclusion or limitation of incidental or consequential damages, so the above exclusion may not apply to you.

This warranty gives you specific rights and you may also have other rights which may vary from state to state.

For warranty repair a proof of purchase receipt or other appropriate proof of date is required with your return for warranty repair to Master Appliance. All warranty claims must be made to Master

Appliance and not the distributor. We decline responsibility where repairs have been made or attempted by others. Any different guarantee made by others is not authorized by us. If a warranty claim is to be made please return your Proheat® Heat Gun prepaid, with proof of purchase and a note describing the problem to our Repair Department. See below.

For repair service we charge a flat rate fee. Please call Master Appliance for the flat rate charge, return your Proheat® Heat Gun prepaid, with a note describing the problem to:

Master Appliance Corp.
Attention: Repair Department
2420 18th Street
Racine, WI 53403
Phone (262) 633-7791
Fax (262) 633-9745

Description et introduction

Le Proheat® Heat Gun est un pistolet à air chaud compact, léger et facile d'emploi. De taille réduite et de poids léger, il est facile à utiliser dans des endroits restreints, sans fatigue pour l'opérateur. Cet outil polyvalent fournit un flux rapide d'air chaud et convient à toute une variété d'applications nécessitant une source de chaleur sans flamme telles que: activation des adhésifs, pliage et façonnage des matières plastiques, dégivrage des bobines gelées, séchage des négatifs

et des pièces, chauffage des solides et des liquides, desserrage des écrous et boulons, installation des vinyles, rétrécissement des tubes isolants et des films d'emballage, ramollissement des matières dures et décapage des surfaces peintes. C'est la solution fiable "chaque fois que vous avez besoin d'une source de chaleur rapide et portable."

Les pistolets à air chaud constituent une source de chaleur sans flamme

extrêmement élevée (jusqu'à 566°C/1 050°F). Comme pour tous les appareils qui dégagent des températures extrêmement élevées, indépendamment de la nature de votre application particulière, une prudence et un soin extrême s'imposent lors de l'utilisation de cet appareil. Nous vous recommandons donc d'accorder toute votre attention aux consignes de sécurité présentées dans ce manuel pour votre protection.

Caractéristiques

| | PH-1100 | PH-2100 |
|--|--|--|
| Volts | 120 | 220 |
| Cycles | 60 Hz | 50 Hz |
| Watts | 750-«LOW» [faible], 1450-«HIGH» [fort] | 750-«LOW» [faible], 1300-«HIGH» [fort] |
| Temp. mesurée à 25 mm (1 po) de la buse | 299°C-566°C (570°F-1050°F) | 252°C-427°C (485°F-800°F) |
| Débit moyen (vitesse) | 1112 m/mn (3650 pi/min) | 1112 m/mn (3650 pi/min) |
| Débit moyen (volume) | 0,42m ³ /mn (15 pi ³ /min) | 0,42m ³ /mn (15 pi ³ /min) |
| Poids net | 0,74 kg (1 lb 10 oz) | 0,74 kg (1 lb 10 oz) |
| Poids à l'expédition | 0,91 kg (2 lb) | 0,91 kg (2 lb) |
| Longueur du cordon | 1,82 m (6 pi) | 1,82 m (6 pi) |
| Homologation | UL & CSA | — |
| Dimensions | Longueur 21 cm x largeur 8 cm x hauteur 18,5 cm (8.25" x 3" x 7.3") | Longueur 21 cm x largeur 8 cm x hauteur 18,5 cm (8.25" x 3" x 7.3") |
| Diamètre de la buse (extrémité) | 3,3 cm (1.3") | 3,3 cm (1.3") |

Lisez ces instructions.

AVERTISSEMENT: Prêtez beaucoup d'attention quand vous décapez des surfaces peintes. Les raclures, résidus et vapeurs de la peinture peuvent contenir du plomb, qui est un poison. Toutes les peintures datant d'avant 1977 peuvent contenir du plomb, et la peinture appliquée aux bâtiments avant 1950 contient probablement du plomb. Une fois appliquée sur les surfaces, le contact de la main à la bouche peut avoir pour résultat l'ingestion de plomb. L'exposition même à de bas niveaux de plomb peut causer des lésions irréversibles au cerveau et au système nerveux; les jeunes enfants et les femmes enceintes sont particulièrement vulnérables.

Avant d'entreprendre le décapage de surfaces peintes, déterminez si la peinture que vous enlevez contient du plomb. Cette opération peut être réalisée par vos services de santé locaux ou par un professionnel utilisant un analyseur de peinture pour vérifier la teneur en plomb de la peinture à décaper. **LA PEINTURE À BASE DE PLOMB DOIT ÊTRE DÉCAPÉE PAR UN PROFESSIONNEL SEULEMENT, ET SANS EMPLOYER UN PISTOLET À AIR CHAUD.**

Les surfaces cachées (derrière les murs, les plafonds, les planchers, intrados, cloisons etc., par exemple) renferment souvent des matériaux inflammables ou susceptibles de

prendre feu quand on utilise le pistolet à air à proximité. L'inflammation de ces matériaux n'est pas toujours remarquée et peut causer des dommages matériels et corporels.

Quand vous travaillez à proximité de ces emplacements, veillez à faire effectuer au pistolet un mouvement continu de va-et-vient. Un arrêt ou une pause sur un point de la surface de travail peut enflammer le panneau ou le matériau situé derrière le panneau.

Les personnes travaillant au décapage de la peinture doivent respecter les directives suivantes:

1. Travaillez à l'extérieur. Si c'est impossible, veillez à assurer la ventilation adéquate de votre zone de travail. Ouvrez les fenêtres et installez un aérateur aspirant dans l'une d'elle. Ayez l'assurance que l'aérateur déplace l'air de l'intérieur vers l'extérieur.
2. Retirez ou couvrez tapis, carpettes, meubles, vêtements, ustensiles de cuisine et conduites d'air.
3. Posez des bâches dans la zone de travail pour recueillir toutes les écailles ou les raclures de peinture. Portez des vêtements de protection: blouses et combinaisons de travail, et casquettes.

4. Travaillez dans une pièce à la fois. Le mobilier sera déménagé ou placé au centre de la pièce et couvert. Les portes seront scellées avec des bâches pour mettre à l'abri les autres pièces de l'habitation.

5. Les enfants, les femmes enceintes ou susceptibles de l'être, les femmes allaitantes, ne doivent pas pénétrer dans la zone de travail jusqu'à ce que les travaux et le nettoyage soient terminés.
6. Portez un masque respiratoire anti-poussière ou un masque à deux filtres (poussière et émissions) approuvé par l'Occupational Safety and Health Administration (OSHA), le National Institute of Safety and Health (NOSH) ou le United States Bureau of Mines. Ces masques et filtres remplaçables sont disponibles dans toutes les grandes quincailleries. Barbes et moustaches risquent de gêner le scellement convenable des masques. **LES MASQUES EN PAPIER SONT INACCEPTABLES.**
7. Utilisez le pistolet à air chaud avec précaution. Veillez à déplacer l'appareil continuellement car une chaleur excessive dégage des vapeurs susceptibles d'être inhalées par l'opérateur.

Importantes consignes de sécurité (suite)

8. Ne laissez ni nourriture ni boisson dans la zone de travail. Lavez-vous les mains, les bras et la figure et rincez-vous la bouche avant de manger ou de boire. Ne fumez pas, ne mâchez pas de gomme ou de tabac dans la zone de travail.
9. Nettoyez toute la peinture décollée et la poussière en épongeant le plancher. Utilisez un chiffon humide pour nettoyer tous les murs, les appuis de fenêtre et toutes les surfaces qui retiennent peinture ou poussière. **NE BALAYEZ PAS, N'ESSUYEZ PAS À SEC, N'UTILISEZ PAS UN ASPIRATEUR.** Lavez et épongez les surfaces avec un détergent à haute teneur en phosphate ou en phosphate trisodique (TSP).
10. À la fin de chaque session de travail, mettez les raclures de peinture et les débris dans un sac en plastique double, fermez-le avec du ruban adhésif ou des liens et mettez-le au rebut comme il convient.
11. Enlevez vos vêtements de protection et vos chaussures de travail dans la zone de travail pour éviter de transporter de la poussière dans le reste de l'habitation. Lavez les vêtements de travail séparément. Essuyez les chaussures avec un chiffon humide qui sera ensuite lavé avec les vêtements de travail. Lavez soigneusement vos cheveux et votre corps à l'eau et au savon.
12. **AVERTISSEMENT:** Afin de réduire les risques d'incendie ou d'électrocution, n'exposez jamais votre pistolet à air à la pluie ou à l'humidité. Rangez-le à l'intérieur. Branchez-le seulement sur des prises mises à la terre.
13. N'utilisez aucun adaptateur de prise et n'ôtez en aucun cas la broche de terre de la fiche. Votre pistolet à air est muni d'une fiche à 3 broches et d'un système de mise à la terre à trois fils. Ne le branchez que sur des prises adéquatement mises à la terre.
14. Ne raccordez ce pistolet à air qu'à des circuits de tension nominale adéquate afin d'éviter la surchauffe des systèmes électriques.
15. Les pistolets à air Proheat émettent par la buse une chaleur pouvant atteindre jusqu'à 566°C (1 050°F). Ne dirigez jamais ce flux d'air chaud vers vos vêtements, vos mains ou toute autre partie de votre corps. N'utilisez jamais cet appareil comme sèche-cheveux.
16. Laissez refroidir l'orifice ou le cylindre de protection de la buse avant de les toucher. En mode «HOT» [chaud], la buse dégage une température extrêmement élevée. Tenez toujours l'appareil par sa poignée ou utilisez le support permanent.
17. Faites fonctionner votre pistolet en mode «COOL» [froid] avant de l'éteindre. Il faut environ 3 minutes pour refroidir la buse et son cylindre protecteur. Après avoir éteint l'appareil, posez-le sur son support avec la buse pointant vers le haut.
18. Évitez tout contact entre la buse et votre surface de travail. Décapez la peinture avec la buse à une distance d'au moins 25 mm (1 po) de la surface de travail.
19. Veillez à la propreté de votre zone de travail. Désordre et encombrement favorisent les accidents ou les blessures.
20. Tenez votre pistolet à air hors de portée des enfants. Les personnes étrangères au travail en cours doivent se tenir à l'écart de la zone de travail. Ne les laissez pas toucher l'appareil ou son cordon de rallonge.
21. Utilisez l'appareil dans une zone bien aérée. Ne l'utilisez pas à proximité de liquides inflammables ou dans un milieu propice aux explosions (en présence de gaz, vapeurs ou poussières).

Importantes consignes de sécurité (suite)

22. Éliminez tous matériaux hautement inflammables et autres débris de la zone de travail.
23. Portez des lunettes de protection pendant toute la durée du travail.
24. Quand vous utilisez une rallonge, utilisez seulement un cordon à 3 fils avec mise à la terre, d'une capacité minimale de calibre 14. Nous recommandons les cordons pour usage extérieur reconnus par les Underwriters Laboratories (UL) aux États-Unis ou par l'Association Canadienne de Normalisation (ACNOR) au Canada. Les cordons pour usage extérieur conviennent également aux applications intérieures.
25. Ne soumettez le cordon à aucun traitement abusif. Ne débranchez jamais l'appareil en tirant sur le cordon et ne le portez jamais en le tenant par le cordon.
26. Lorsque vous ne le tenez pas à la main, posez le pistolet sur une surface plate. Placez le cordon de manière à éviter le renversement de l'appareil.
27. Ayez toujours un extincteur plein à portée de la main.
28. Surveillez l'appareil en permanence lorsqu'il est allumé ou en cours de refroidissement.
29. Restez alerte. N'utilisez pas cet outil quand vous êtes fatigué. Ayez recours à votre bon sens et accordez une attention soutenue à votre travail.
30. Rangez votre pistolet convenablement. Laissez-le refroidir avant de le ranger. Rangez-le dans un endroit sec, à une certaine hauteur ou sous clé, hors de portée des enfants.
31. Débranchez toujours l'appareil avant de procéder à son entretien. Utilisez seulement des pièces de rechange de marque Master Appliance. Nous recommandons de faire effectuer tous les travaux d'entretien par un technicien qualifié, expérimenté dans la réparation des outils électriques, un organisme d'entretien qualifié ou par notre personnel technique.

Pour faire réparer un appareil à l'usine, envoyez-le à l'adresse suivante:

Master Appliance Corp.
Attention: Repair Department
2420 - 18th Street
Racine, WI 53403 U.S.A.

Conservez ces instructions.

Mode d'emploi

La quantité de chaleur appropriée à chaque application dépend de la distance existant entre la buse et la surface de travail et le temps durant lequel la chaleur est appliquée à la surface de travail.

Nous vous recommandons, avant chaque type d'application, d'essayer l'appareil sur une pièce de rebut.

Approchez prudemment l'appareil de la surface jusqu'à obtention de la combinaison adéquate de réglage de la chaleur, de la distance jusqu'à la surface de travail et de la durée d'application.

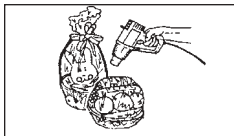
Déplacez l'appareil d'un mouvement de va-et-vient doux, à moins qu'une concentration de chaleur ne soit souhaitable.

Fonctionnement du pistolet

1. Branchez le pistolet sur une prise à tension nominale adéquate.
2. Placez l'interrupteur à bascule en position «HOT» [chaud]. Le pistolet atteindra sa température de fonctionnement au terme d'environ deux minutes.
3. Placez l'interrupteur en position «OFF» [arrêt].

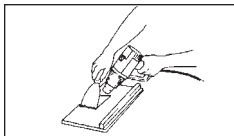
ATTENTION: Ne placez pas l'appareil sur le côté quand vous utilisez les accessoires d'élargissement ou de thermo-rétrécissement.

Types d'applications



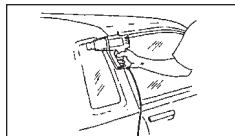
Emballage sous film rétractable

Utilisez une chaleur faible ou forte.



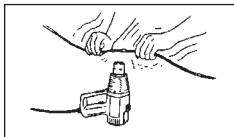
Décapage de la peinture

Utilisez une chaleur faible ou forte.



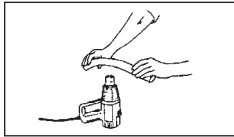
Installation des vinyles

Utilisez une chaleur faible ou forte.



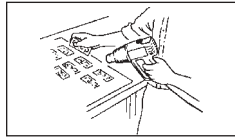
Rétraction des tubes isolants

Utilisez une chaleur faible ou forte.



Cintrage des tubes en PVC

Utilisez une chaleur forte.



Séchage des négatifs

Utilisez une chaleur faible.

Consignes de sécurité pour le décapage de surfaces peintes

1. **AVERTISSEMENT:** Lors de l'utilisation d'un pistolet à air, comme pour tous les autres outils chauffants, conservez un extincteur à portée de la main et prenez toutes les précautions contre l'incendie appropriées.

L'usage de ce pistolet à air est déconseillé sur les surfaces creuses (revêtement de murs extérieurs, murs intérieurs, intrados, cloisons et partitions, etc.). Ces surfaces renferment souvent des matériaux inflammables tels que poussière, copeaux de bois, matière isolante, nids de rongeurs et autres débris susceptibles de prendre feu.

Votre pistolet à air convient particulièrement bien au décapage de bois massif à moulures, tels les plinthes et garnitures d'intérieur, les moulures, les tournages, les portes, balustrades et garnitures de vérandas, etc.

Lors du décapage de surfaces peintes, veillez à ne jamais interrompre le mouvement de va-et-vient du pistolet. Un arrêt ou une pause prolongée sur un point de la surface pourrait enflammer la surface de travail ou le matériau qui se trouve derrière cette surface.

2. Veillez à ne pas inhaler ou avaler de peinture à base de plomb, sous quelque forme que ce soit. On trouve ce type de peinture dans de nombreux bâtiments anciens. La poussière, les raclures, résidus et vapeurs de peinture à base de plomb sont extrêmement nocifs. Pour éviter toute intoxication possible lors du décapage de

peinture à base de plomb, veillez à assurer une ventilation adéquate (à l'aide, par exemple, d'un ventilateur de fenêtre en mode aspirant) et à maintenir propre votre zone de travail. En présence de poussière ou de vapeurs, utilisez un masque respiratoire protecteur. Dans la mesure du possible, travaillez à l'extérieur.

L'absence de précautions adéquates lors du traitement de peinture à base de plomb entraîne un risque de saturnisme. Pour plus de détails, voir les instructions présentées sous le titre «Décapage.»

- Écartez les décapants chimiques de peintures qui risquent de s'enflammer ou dégagent des vapeurs nocives.
- Veillez à assurer une ventilation adéquate (ventilateur de fenêtre en mode aspirant, par exemple), et à la propreté de votre zone de travail.
- Portez toujours des gants et des lunettes de sécurité.
- Ayez toujours un extincteur plein à portée de la main.
- Restez alerte. Ayez recours à votre bon sens et accordez une attention soutenue à votre travail.

Décapage des surfaces peintes

- Pour décaper une surface peinte, allumez l'appareil et tenez-le à environ 25 mm (1 po) de la surface à décaper. L'expérience vous aidera à déterminer la

distance et la vitesse de décapage adéquates. Il est préférable de maintenir le pistolet à une certaine distance de la surface et de l'en approcher lentement. Le ralentissement de la vitesse sera compensé par la largeur accrue de la surface ramollie. La chaleur pénétrera également plus en profondeur.

- Lorsque la peinture commence à se boursoufler et à former des bulles, déplacez lentement et uniformément le pistolet au-dessus de la surface. Commencez immédiatement à décaper avec un grattoir (un grattoir mural de 50 mm [2 po] assure les meilleurs résultats) pour éliminer la peinture décollée. Préchauffez le grattoir tout en chauffant la surface peinte, pour accélérer le décapage.

- Le décapage à l'air chaud est rendu possible grâce au ramollissement des peintures organiques sous l'effet de températures élevées. Une fois ramollie, la peinture peut être aisément soulevée sans abîmer la surface qu'elle recouvre.
- Pour décaper les rainures de moulures, vous pouvez créer vos propres grattoirs. Les vieux tournevis à tête émoulee et les couteaux à linoléum sont souvent utiles.

- Placez l'interrupteur en position «LOW» [faible] quand vous avez terminé. Laissez l'appareil fonctionner pendant trois minutes et placez l'interrupteur en position «OFF» [arrêt].

Entretien

Toutes les réparations et opérations d'entretien recommandées dans ce manuel doivent être accomplies par un technicien qualifié, expérimenté dans la réparation des outils électriques, un organisme d'entretien qualifié ou par le Service d'Entretien de la Master Appliance Corp.

Pour un service d'entretien et de réparation rapide et efficace, renvoyez votre appareil à:

Master Appliance Corp.
Attention: Repair Department
2420 - 18th Street
Racine, WI 53403 U.S.A.

Veillez inclure une note décrivant le problème rencontré ainsi que votre numéro de téléphone.

AVERTISSEMENT:

Débranchez toujours votre appareil avant de procéder à une opération d'entretien ou de réparation. Utilisez seulement des pièces de rechange de marque Master Appliance identiques à celles à remplacer.

Éléments thermiques

L'usage abusif et l'arrêt par épuisement éventuel des éléments thermiques peut résulter de l'une des conditions suivantes:

1. Vitesse inadéquate de la soufflante
2. Haute tension de ligne
3. Accessoire inapproprié
4. Placement incorrect de l'élément ou des feuilles isolantes au mica
5. La buse est trop rapprochée de la pièce de travail en cours de réchauffement (moins de 25 mm [1 po])

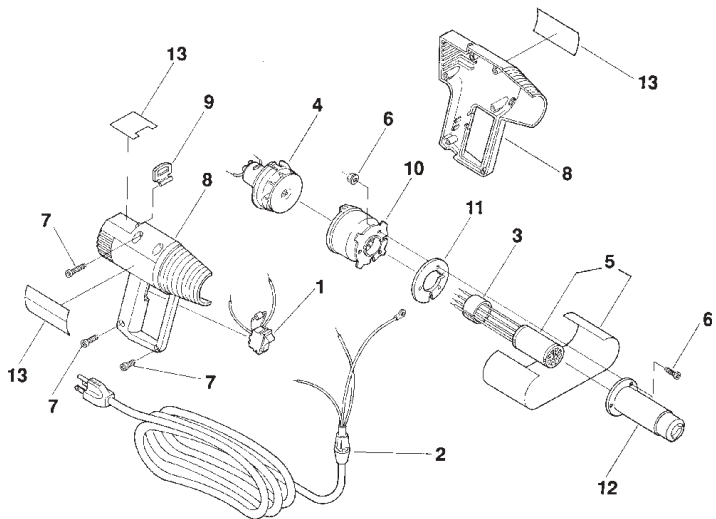
Lubrification

Les paliers sont huilés en usine et ne requièrent aucune autre lubrification.

Nettoyage

Débranchez le pistolet à air avant de le nettoyer. Ne nettoyez l'extérieur de l'appareil qu'à l'aide de savon doux et d'un chiffon humide. N'utilisez aucune autre agent de nettoyage: térébenthine, essence, diluant de vernis ou de peinture ou autres dissolvants pouvant contenir des substances chimiques susceptibles d'endommager les pièces en plastique et autres matières isolantes. Ne plongez jamais l'appareil dans un liquide; ne laissez jamais de liquide pénétrer à l'intérieur. Veillez à ce qu'aucun débris ne bouche les orifices de ventilation et autres.

Vue en éclaté



Pièces de rechange pour Proheat® Heat Gun

Les pièces de rechange et accessoires du pistolet à air Proheat® sont conçus et fabriqués conformément aux spécifications précises de Master Appliance. Les pièces de rechange et accessoires

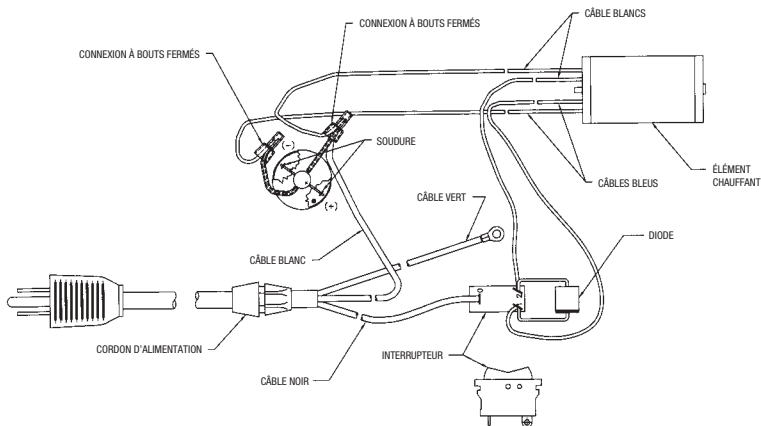
d'autres fabricants ne sont pas produits selon ces spécifications précises et peuvent dès lors être source de problèmes - voire de dégâts. Master Appliance n'assumera aucune responsabilité ou

obligation en cas de difficultés liées à l'utilisation de pièces de rechange ou d'accessoires d'autres marques sur un pistolet à air Proheat.

| N° d'article | PH-1100 N° de pièce | PH-2100 N° de pièce | Description |
|--------------|------------------------|------------------------|--|
| 1 | 35000 | 35020 | Ensemble interrupteur |
| 2 | 35001 | 35021 | Cordon avec connecteur |
| 3 | 35002 | 35002 | Entretoise de retenue en aluminium |
| 4 | 35003 | 35003 | Ensemble moteur et soufflante |
| 5 | 35004 | 35022 | Élément thermique |
| 6 | 35010 | 35010 | Vis (4) et écrous (5) de buse |
| 7 | 35011 | 35011 | Vis (6) de boîtier |
| 8 | 35012 | 35023 | Boîtiers droite & gauche et étiquettes |
| 9 | 35013 | 35013 | Crochet de suspension |
| 10 | 35014 | 35014 | Boîtier de turbine |
| 11 | 35015 | 35015 | Barrière thermique |
| 12 | 35018 | 35018 | Buse |
| 13 | 35019 | 35024 | Étiquettes (3) de boîtier |

NOTA: Toute la visserie nécessaire à l'exécution du remplacement est incluse.

Schéma de câblage



| Accessoires | N° de pièce | Description |
|---|-------------|------------------------------------|
|  | 35016 | Accessoire d'élargissement |
|  | 35017 | Accessoire de thermorétrécissement |
|  | 35026 | Protège-buse |
|  | 35216 | Socle |
|  | 35351 | Étui de rangement |

Garantie intégrale d'un an

Votre pistolet à air chaud Proheat® a été soigneusement testé et inspecté avant de quitter l'usine. Il est garanti contre tout défaut de matériel ou de fabrication révélé dans des conditions d'usage et d'entretien normales pendant une période d'un an à compter de la date d'achat de l'appareil. En cas de défaut de matériel ou de fabrication, nous réparerons ou remplacerons gratuitement, à notre gré, toute pièce qui, d'après notre jugement, présente un tel défaut.

Cette garantie ne couvre ni les accessoires, ni le moteur (électrique) à balais, ni l'élément thermique, qui sont des articles nécessitant un remplacement périodique. Elle ne sera pas non plus applicable en cas d'usage inadéquat ou abusif, de modification ou de manipulation. Au terme de la période de garantie, la société Master Application Corp. ne sera plus tenue par aucune obligation de garantie, expresse ou tacite. Certaines provinces interdisent de limiter

la durée d'une garantie implicite, de sorte que la limitation ci-dessus ne s'applique peut-être pas à votre cas.

Master Appliance décline toute responsabilité pour, et cette garantie ne couvre, aucun dommage fortuit ou consécutif dû à un défaut de ce produit ou à son utilisation. Certaines provinces interdisent l'exclusion ou la limitation des dommages fortuits ou consécutifs; il est donc possible que l'exclusion ci-dessus ne s'applique pas à votre cas.

La présente garantie vous assure le bénéfice de droits précis, éventuellement complétés par d'autres, suivant la législation provinciale applicable.

Réparation aux termes de la garantie: Un reçu ou toute preuve d'achat datée appropriée est exigée pour le renvoi de votre appareil à Master Appliance. Toute réclamation aux termes de la garantie doit être adressée à Master Appliance et non au conces-

sionnaire. Nous déclinons toute responsabilité pour les réparations ou tentatives de réparation exécutées par des tiers. Nous n'autorisons aucune garantie différente offerte par des tiers. En cas de réclamation aux termes de la garantie, veuillez renvoyer votre pistolet à air chaud Proheat® en port payé, accompagné d'une preuve d'achat et d'une note décrivant le problème rencontré à notre Département Entretien. Voir ci-dessous.

Réparation: Nous facturons un taux forfaitaire. Veuillez demander le taux forfaitaire à Master Appliance et renvoyer votre pistolet à air chaud Proheat® en port payé, accompagné d'une note décrivant le problème à:

Master Appliance Corp.
Attention: Repair Department
2420 - 18th Street
Racine, WI 53403 U.S.A.

Téléphone: (262) 633-7791
Télécopieur: (262) 633-9745

Descripción e introducción

La Proheat® Heat Gun es una pistola de aire caliente que es compacta, ligera y fácil de usar. Su tamaño compacto y ligereza de peso facilitan su empleo en lugares estrechos con el mínimo de fatiga para el operador. Esta herramienta para usos múltiples, proporciona un flujo rápido de aire caliente y es adecuada para una variedad de usos de calor sin llamas tales como la activación de adhesivos, dobladura y conformación de materiales plásticos, descon-

gelación de serpentines congelados, secado de negativos y piezas, calentamiento de sólidos y líquidos, aflojamiento de tuercas y tornillos, remoción de vinilo, contracción de tuberías y envolturas, ablandamiento de materiales y remoción de pintura. Es su respuesta confiable para "dondequiera que requiera calor rápido y portátil."

Las pistolas de aire caliente son una fuente de calor, a muy elevada temperatura

y sin llamas (hasta 566°C/ 1050°F). Como con cualquier otro producto que genera temperaturas extremadamente elevadas, sin tener en cuenta el tipo de aplicación, siempre tome las debidas precauciones de seguridad al utilizar esta herramienta. Para su protección, recomendamos estar atento a las instrucciones de seguridad presentadas en este manual.

Especificaciones

| | PH-1100 | PH-2100 |
|--|---|---|
| Voltios | 120 | 220 |
| Ciclos | 60 Hz | 50 Hz |
| Vatios | 750-"LOW" [bajo], 1450-"HIGH" [alto] | 750-"LOW" [bajo], 1300-"HIGH" [alto] |
| Temp. medida a 25 mm (1") de la boquilla | 299°C-566°C (570°F-1050°F) | 252°C-427°C (485°F-800°F) |
| Velocidad de aire | 1112 m/min (3650 pies/min) | 1112 m/min (3650 pies/min) |
| Volumen de aire | 0,42 m ³ /min (15 pies ³ /min) | 0,42 m ³ /min (15 pies ³ /min) |
| Peso neto | 0,74 kg (1 lb 10 oz) | 0,74 kg (1 lb 10 oz) |
| Peso de embarque | 0,91 kg (2 lb) | 0,91 kg (2 lb) |
| Longitud del cable eléctrico | 1,82 m (6 pies) | 1,82 m (6 pies) |
| Aprobaciones | UL y CSA | — |
| Dimensiones generales | Longitud 21 cm x anchura 8 cm x altura 18,5 cm (8.25" x 3" x 7.3") | Longitud 21 cm x anchura 8 cm x altura 18,5 cm (8.25" x 3" x 7.3") |
| Diámetro de la boquilla (extremo) | 3,3 cm (1.3") | 3,3 cm (1.3") |

Lea estas instrucciones.

AVISO: Tenga un cuidado extraordinario al quitar pinturas. Las peladuras, residuos y vapores de pintura pueden tener plomo, lo cual es venenoso. Cualquier pintura aplicada antes de 1977 puede contener plomo y es casi seguro que las pinturas aplicadas a casas antes de 1950 contengan plomo. Una vez aplicada sobre superficies, el contacto de la mano a la boca puede resultar en la ingestión de plomo. La exposición hasta de pequeños niveles de plomo puede provocar daños irreversibles en el cerebro y en el sistema nervioso; los niños jóvenes y nonatos son especialmente vulnerables.

Antes de comenzar cualquier proceso de remoción de pintura, determine si la pintura que se está removiendo contiene o no contiene plomo. Esto lo puede realizar su departamento local de salubridad o un profesional que utiliza un analizador de pinturas para determinar el contenido de plomo en la pintura que se vaya a remover. **LAS PINTURAS CON BASE DE PLOMO SÓLO LAS DEBEN REMOVER LOS PROFESIONALES Y NO SE DEBEN REMOVER EMPLEANDO UNA PISTOLA DE AIRE CALIENTE.**

Las áreas escondidas que se encuentran detrás de pare-

des, cielos rasos, pisos, tablas de sofitos y otros paneles pueden contener materiales inflamables los cuales podrían ser inflamados por el calor de la pistola de aire caliente al trabajar en esos lugares. La inflamación de estos materiales puede que no sea aparente de inmediato y podría redundar en daños materiales y corporales.

Al trabajar en estos lugares, siempre mantenga la pistola de aire caliente con un movimiento continuo hacia adelante y hacia atrás. Detenerse o prolongar una pausa en un punto determinado podría inflamar el panel sobre el cual se trabaja o el material detrás del mismo.

Para quitar pintura, siga estas directrices:

1. Si es posible, mueva al aire libre la pieza en que se vaya a trabajar. Si no es posible, mantenga el área de trabajo bien ventilada. Abra las ventanas y coloque un ventilador educador en una de ellas. Esté seguro de que el ventilador esté moviendo el aire desde adentro hacia afuera.
2. Remueva o cubra cualquier alfombra o alfombrilla, mueble, ropa, utensilio de cocina o conducto de aire.
3. Coloque cubiertas protectoras en el área de trabajo

para recoger las astillas o peladuras de pintura. Use ropa protectora tales como camisas de trabajo adicionales, overoles y sombreros.

4. Trabaje en una habitación a la vez. Remueva los muebles o colóquelos en el centro de la habitación y cúbralos. Segregue las áreas de trabajo del resto de la vivienda sellando las puertas con cubiertas protectoras.
5. Los niños, mujeres en estado de gestación o potencialmente en estado de gestación y mujeres que estén criando niños, no deben estar presentes en el área de trabajo hasta haberse finalizado las tareas y realizado una limpieza total.
6. Lleve una máscara respiradora contra el polvo o una máscara con filtro doble (polvo y vapores) que haya sido aprobada por la Occupational Safety and Health Administration (OSHA), el National Institute of Safety and Health (NIOSH), o el United States Bureau of Mines. Estas máscaras y los filtros de repuesto para las mismas se encuentran disponibles en las principales ferreterías. Cerciórese de que la máscara le asiente bien. Las

Importantes instrucciones de seguridad (continuación)

barbas y pelos de la cara pueden impedir que las máscaras sellen debidamente. **LAS MÁSCARAS DE PAPEL NO SON ADECUADAS.**

- Tenga cuidado al trabajar con la pistola de aire caliente. Mantenga en movimiento continuo la pistola ya que un calor excesivo generará vapores que pueden ser inhalados por el operador.
- Mantenga los alimentos y bebidas fuera del área de trabajo. Antes de comer o tomar algo, lávese las manos, los brazos y la cara y enjuáguese la boca. No fume en el área de trabajo, ni use goma o tabaco de masticar.
- Quite el polvo y las peladuras de pintura trapeando los suelos. Use una tela húmeda para limpiar todas las paredes, soleras y cualquier otra superficie donde puede alojarse la pintura o el polvo. **NO BARRA, SACUDA EN SECO O PASE UNA ASPIRADORA.** Para lavar y trapear las áreas, use un detergente de alto contenido de fosfato o un fosfato trisódico (TSP).
- Al finalizar cada sesión de trabajo, coloque las peladuras de pintura y los desechos en una bolsa
- plástica doble; ciérrela con cinta adhesiva o cintas de amarrar y deshágase de ellas en la forma debida.
- Quite la ropa protectora y los zapatos de trabajo dentro del área de trabajo para evitar ensuciar el resto de la vivienda con polvo. Lave separadamente la ropa de trabajo. Limpie los zapatos empleando una tela mojada que se lavará con la ropa de trabajo. Lávese debidamente el pelo y el cuerpo usando jabón y agua.
- AVISO:** Para reducir el riesgo de incendio o de choque eléctrico, no exponga su pistola de aire caliente a la lluvia o humedad. Guárdela bajo techo. Conecte la herramienta sólo a los tomacorrientes conectados a tierra.
- No use adaptadores de enchufe ni remueva la espiga de tierra del enchufe. Esta herramienta está equipada con un enchufe para 3 espigas y un sistema eléctrico trifilar conectado a tierra. Haga la conexión solamente en tomacorrientes debidamente conectados a tierra.
- Para evitar el recalentamiento del sistema eléctrico, sólo use la pistola de aire caliente en circuitos
- eléctricos con la capacidad de carga adecuada.
- La pistola Proheat puede emitir por su boquilla un calor sin llamas con temperaturas hasta 566°C (1050°F). No dirija esta corriente de aire caliente a su ropa, las manos, u otras partes del cuerpo. No use la herramienta como secador de pelo.
- No toque la abertura de la boquilla o el protector de la boquilla hasta que esté frío. Estando en el modo "HOT" [caliente], la boquilla genera un calor extremadamente intenso. Siempre sujete la herramienta por su agarradera o use el pedestal que está permanentemente sujeto a la misma.
- Antes de apagar la pistola, hágala funcionar en "COOL" [frío]. La boquilla y el protector de la boquilla requieren aproximadamente 3 minutos para enfriarse lo suficiente para permitir tocarlos. Después de apagarla, coloque la unidad sobre su extremo con la boquilla apuntando hacia arriba.
- No toque la superficie de trabajo con la boquilla. Remueva la pintura manteniendo la cara de la boquilla a una distancia de por lo menos 25 mm (1 pulg) de

Importantes instrucciones de seguridad (continuación)

la superficie de trabajo.

19. Mantenga su área de trabajo limpia. Las áreas de trabajo descuidadas o desordenadas pueden provocar los accidentes y lesiones.
20. Mantenga esta herramienta fuera del alcance de los niños. Las personas ajenas al trabajo en curso deben quedar a una distancia prudencial del área de trabajo. No las permita tocar la herramienta o su cable de extensión.
21. Use esta herramienta en un área bien ventilada. No la use cerca de líquidos inflamables o en un ambiente explosivo (en presencia de vapores, gases o polvo).
22. Remueva del área de trabajo todos los materiales altamente inflamables y otros desechos.
23. Siempre use gafas de seguridad cuando trabaje con esta herramienta.
24. Al usar una extensión, sólo use un cable eléctrico trifilar conectado a tierra con una capacidad mínima de calibre 14. Recomendamos que estos cables sean aprobados por los Underwriters Laboratories (UL) en los EE.UU. o por la Canadian

Standards Association (CSA) en el Canadá y que sean adecuados para uso exterior. Los cables eléctricos marcados para uso exterior también son adecuados para uso interior.

25. No abuse del cable eléctrico. Nunca desconecte la herramienta tirando el cable para removerlo de un tomacorriente ni transporte la herramienta colgándola del cable.
26. Cuando la herramienta no se esté sujetando con la mano, colóquela sobre una superficie nivelada. Coloque el cable eléctrico en forma que no provoque el vuelco de la herramienta.
27. Mantenga a su alcance un extinguidor de incendios debidamente cargado.
28. No deje desatendida la herramienta mientras estando en marcha o enfriándose.
29. Esté alerta. No trabaje con la herramienta si está cansado. Use el sentido común y atienda lo que esté haciendo.
30. Guarde la herramienta en la forma adecuada. Deje enfriar la herramienta antes de guardarla. Guarde la herramienta en un lugar seco, alto y bajo

llave. Mantenga la herramienta fuera del alcance de los niños.

31. Antes de realizar cualquier mantenimiento, desconecte la herramienta. Al dar servicio a la herramienta, sólo use las piezas de repuesto Master Appliance. Recomendamos que todo mantenimiento sea realizado por un técnico experimentado en la reparación de herramientas eléctricas o por una organización de servicio calificada, o por nuestro personal de reparaciones.

Para servicio de reparación en fábrica, remita la herramienta a:

Master Appliance Corp.
Attention: Repair Department
2420 - 18th Street,
Racine, WI 53403 EE.UU.

Guarde estas instrucciones.

Instrucciones de operación

La cantidad apropiada de calor para cada aplicación depende de la distancia entre la abertura de la boquilla y la superficie de trabajo y del tiempo durante el cual se aplique el calor a la superficie de trabajo.

Antes de realizar un trabajo, recomendamos que experimente con un pedazo de material desechable. Tenga cuidado al acercarse a la superficie de trabajo hasta que encuentre la combinación adecuada de ajuste del regulador de entrada de aire, de la distancia a la superficie de trabajo y del tiempo de aplicación del calor.

Use un movimiento suave hacia adelante y hacia atrás al aplicar calor, a menos que se estime adecuado concentrar el calor.

Para operar su pistola de aire caliente:

1. Conecte la pistola a una salida eléctrica con la capacidad adecuada.
2. Coloque el conmutador basculante en la posición de "HOT" [caliente]. La pistola alcanzará su temperatura de funcionamiento total en aproximadamente dos minutos.

3. Coloque el conmutador en la posición de "OFF" [apagado].

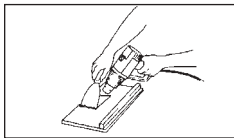
4. **CUIDADO:** No coloque la unidad sobre su costado mientras usa los aditamentos de expansión o de contracción térmica.

Aplicaciones típicas



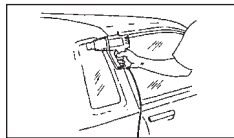
Contracción térmica de envolturas plásticas

Use alto calor o bajo calor.



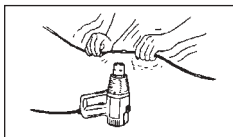
Remoción de pintura

Use alto calor o bajo calor.



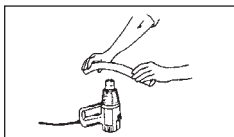
Instalación de vinilo

Use alto calor o bajo calor.



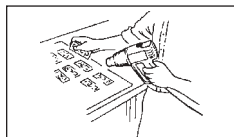
Contracción de tubos

Use alto calor o bajo calor.



Dobladura de tubos de PVC

Use alto calor.



Secado de películas

Use bajo calor.

Instrucciones de seguridad para remover pinturas

1. **AVISO:** Con una pistola de aire caliente, como con todas las herramientas térmicas, siempre mantenga accesible un extinguidor de incendios y observe todas las precauciones sensatas contra incendios.

No recomendamos el uso de esta pistola de aire caliente sobre superficies huecas tales como tablas de pared exterior, paredes interiores, soffits, paneles, tabiques, etc. Estas superficies frecuentemente contienen materiales inflamables como polvo, astillas de madera, aislamiento, nidos de roedores y otros desechos que accidentalmente podrían incendiarse.

El mejor uso para su pistola de aire caliente es el de remover la pintura de obras de madera sólida con sus entrantes y salientes tales como adornos interiores, molduras, piezas torneadas, puertas, balaustres, adornos de portales, etc.

Al remover pintura, siempre mantenga la pistola con un movimiento continuo hacia adelante y hacia atrás. El detenerse o prolongar una pausa en un punto determinado podría inflamar la superficie sobre la cual se trabaja o el área detrás de la misma.

2. No respire los vapores o ingiera en forma alguna las pinturas con base de

plomo. Muchas casas antiguas y otros edificios contienen pinturas con base de plomo. El polvo, las peladuras, los residuos y vapores de pintura con base de plomo son extremadamente venenosos. Al remover este tipo de pintura, evite las posibilidades de envenenamiento con plomo [saturismo] empleando una ventilación adecuada (como un ventilador de ventana en su modo de extractor) y conservando un área de trabajo limpia. Ante la presencia de polvo o vapores de plomo, use un dispositivo respirador diseñado para filtrar plomo. Siempre que sea posible, mueva el trabajo al exterior.

La negligencia en tomar las precauciones de seguridad adecuadas al trabajar con pinturas a base de plomo, podrían conducir al envenenamiento con plomo [saturismo]. Para información adicional, vea nuestras "Instrucciones para remover la pintura."

3. No utilice ninguno de los productos químicos para remover pinturas. Estos productos son susceptibles de inflamarse y despedir vapores dañinos.
4. Use una ventilación adecuada (como un ventilador de ventana en su modo de extractor) y conserve limpia su área de trabajo.
5. Use guantes y gafas de

seguridad cuando trabaje con esta herramienta.

6. Siempre mantenga accesible un extinguidor de incendios totalmente cargado.
7. Manténgase alerta, observe lo que hace y haga uso del sentido común.

Forma de remover la pintura

1. Para remover pintura vieja, active la unidad y sosténgala aproximadamente a 25 mm (1 pulg) de la superficie a limpiarse. La experiencia le ayudará a determinar la distancia y velocidad adecuadas para remover la pintura. Es ventajoso sostener la pistola a una cierta distancia de la superficie y acercársela lentamente. La velocidad más lenta será compensada por la amplitud de las áreas ablandadas. Igualmente, el calor tendrá mayor penetración.
2. A medida que la pintura comienza a ampollarse y formar burbujas, mueva lentamente la pistola avanzando sobre la superficie con uniformidad y comience inmediatamente a remover pintura con la cuchilla de raspar (una espátula de 50 mm [2 pulg] asegura los mejores resultados) para remover la pintura aflojada. Precaliente la espátula a medida que calienta la superficie pintada para acelerar la remoción de la pintura.

Importantes instrucciones de seguridad (continuación)

- a. La remoción de pintura mediante el uso de calor se basa en el hecho de que todas las pinturas orgánicas se ablandan a temperaturas elevadas. Una vez ablandada, la pintura se puede remover fácilmente sin dañar la superficie.
- b. Al remover pintura de las ranuras de molduras, usted puede improvisar su propia herramienta raspadora. Son de uso frecuente los viejos destornilladores con láminas esmeriladas a la medida necesaria y las cuchillas para cortar linóleo.
3. Una vez terminada la tarea, coloque el conmutador basculante en la posición de "LOW" [bajo]. Trábalo por tres minutos y póngalo en "OFF" [apagado].

Instrucciones de mantenimiento

Toda reparación o servicio de mantenimiento recomendado en este manual de instrucciones, debe ser realizado por un técnico experimentado en la reparación de herramientas eléctricas o por una organización de servicio calificada, o por el Departamento de Servicio de Master Appliance Corp.

Para un servicio de reparación y de mantenimiento rápido y eficaz, remita su herramienta a:

Master Appliance Corp.

Attention: Repair Department
2420 - 18th Street
Racine, WI 53403 EE.UU.

Favor de adjuntar una nota describiendo el problema y su número de teléfono.

AVISO: Siempre desconecte la herramienta antes de realizar cualquier mantenimiento o reparación. Sólo use las piezas de repuesto idénticas de la marca Master Appliance.

Elementos calefactores

El abuso de los elementos calefactores y su eventual quemadura pueden ocurrir debido a una de las condiciones siguientes:

1. Velocidad inadecuada en el soplador
2. Alto voltaje en la línea
3. Accesorio inadecuado
4. Colocación incorrecta del elemento o de las láminas aisladoras de mica.
5. Boquilla demasiado cerca del área que recibe el calor (menos de 25 mm [1 pulg].

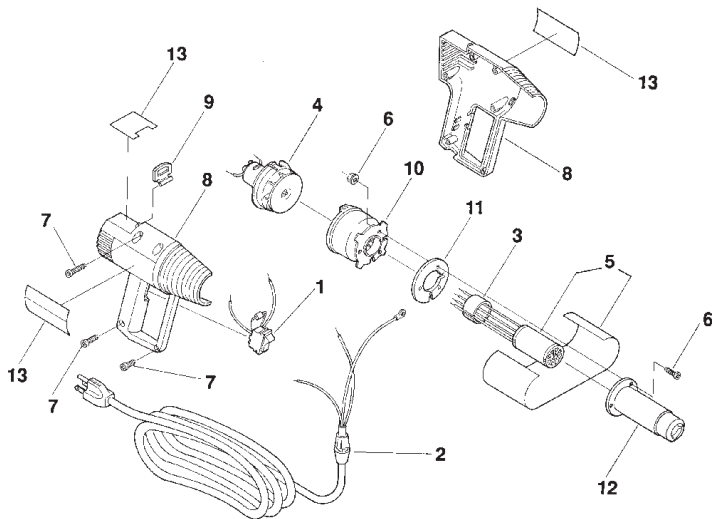
Lubricación

Los rodamientos están lubricados en fábrica y no requieren lubricación adicional.

Limpieza

Antes de efectuar la limpieza, desconecte la pistola de aire caliente. Para limpiar el exterior de la herramienta, use un jabón suave y una tela húmeda. No use agentes limpiadores, trementina [aguarrás], gasolina, diluyente de laca o de pintura u otros disolventes conteniendo sustancias químicas que pueden ser dañinas a los materiales plásticos y otros materiales aislantes. Nunca sumerja la herramienta en líquido o deje que un líquido penetre en el interior de la herramienta. Cerciórese de que todas las aberturas y áreas de ventilación estén limpias y libres de desechos.

Vista esquemática



Piezas de repuesto Proheat®

Las piezas de repuesto y los accesorios para la pistola de aire caliente Proheat® están diseñados y fabricados según las especificaciones precisas de Master Appliance. Las piezas de repuesto y acceso-

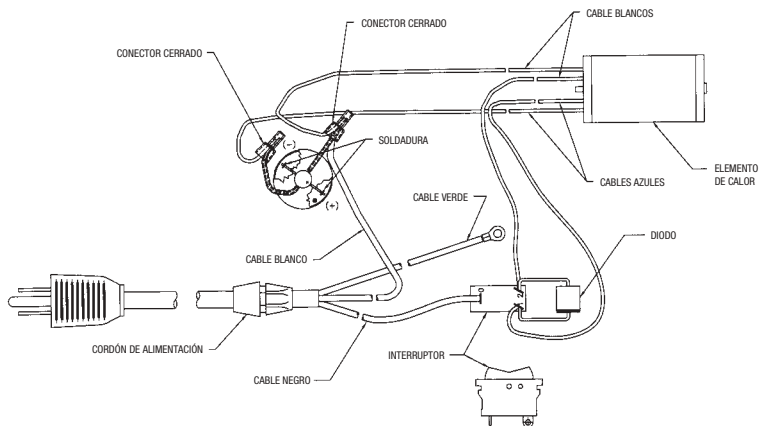
rios procedentes de otros fabricantes no cumplen con estas especificaciones precisas y, por lo tanto, pueden provocar dificultades o averías a su pistola Proheat®. Master Appliance no puede asumir






ninguna obligación o responsabilidad civil por dificultades derivadas del uso de piezas de repuesto o accesorios procedentes de otras marcas en una pistola Proheat.

| N.º Rubro | N.º Pieza PH-1100 | N.º Pieza PH-2100 | Descripción |
|-----------|-------------------|-------------------|--|
| 1 | 35000 | 35020 | Conjunto de conmutador |
| 2 | 35001 | 35021 | Cable de alimentación con conector |
| 3 | 35002 | 35002 | Espaciador de retención de aluminio |
| 4 | 35003 | 35003 | Conjunto de motor y ventilador |
| 5 | 35004 | 35022 | Elemento calefactor |
| 6 | 35010 | 35010 | Tornillos (4) y tuercas (5) de la boquilla |
| 7 | 35011 | 35011 | Tornillos (6) de la caja |
| 8 | 35012 | 35023 | Cajas derecha y izquierda y rótulos |
| 9 | 35013 | 35013 | Gancho para colgar |
| 10 | 35014 | 35014 | Caja de la turbina |
| 11 | 35015 | 35015 | Barrera térmica |
| 12 | 35018 | 35018 | Boquilla |
| 13 | 35019 | 35024 | Rótulos (3) de la caja |

NOTA: Todo el herraje necesario está incluido para facilitar la sustitución de toda pieza.

Diagrama de conexiones



| Aditamentos | N.º de pieza | Descripción |
|--|--------------|-----------------------------------|
|  | 35016 | Aditamento de expansión |
|  | 35017 | Aditamento de contracción térmica |
|  | 35026 | Protector de la boquilla |
|  | 35216 | Soporte |
|  | 35351 | Estuche de almacenamiento |

Garantía total por un año

Su Proheat® Heat Gun fue cuidadosamente probada e inspeccionada antes de salir de la fábrica. Garantizamos que este producto está libre de defectos tanto en materiales como en fabricación bajo condiciones de uso y servicio normales durante un año a partir de la fecha de compra. En caso de que aparezca un defecto en materiales o fabricación, repararemos o reemplazaremos, sin cargo y a nuestra opción, cualquier pieza que a nuestro juicio muestre señales de tal defecto.

Esta garantía no es válida para los aditamentos, el motor eléctrico de escobillas o el elemento calefactor, los cuales son piezas que requieren su reemplazo periódico; tampoco es válida si la Proheat® Heat Gun ha recibido mal trato, abuso, alteraciones o modificaciones. Al final del período de garantía, Master Appliance no tendrá obligaciones de garantía adicionales, ni expresas ni

implícitas. Algunos estados no permiten limitaciones en la duración de una garantía implícita, de manera que la limitación anterior puede que no afecte su caso.

Master Appliance no asume responsabilidad de, ni esta garantía cubre, ningún daño incidental o emergente de cualquier defecto en este producto o en su uso. Algunos estados no permite la exclusión o limitación de daños incidentales o emergentes, de manera que la exclusión anterior puede que no afecte su caso.

Esta garantía le da derechos legales específicos, y usted podría tener otros derechos según la legislación regional aplicable.

Para reparaciones por garantía: Se requiere un recibo de prueba de compra u otra prueba adecuada indicativa de la fecha de compra que debe ser incluida con el producto remitido para reparaciones a Master Appliance.

Todas las reclamaciones por garantía deben hacerse a Master Appliance y no al distribuidor. Master Appliance no será responsable de reparaciones realizadas o intentadas por terceros. No autorizamos ninguna garantía distinta, hecha por terceros. En caso de una reclamación por garantía, favor de devolver su Proheat® Heat Gun con transporte previamente pagado, con prueba de compra y una nota explicativa del problema, a nuestro departamento de servicio. Vea a continuación.

Para servicios de reparación: Cargamos una tasa uniforme. Favor de llamar a Master Appliance para conocer el cargo por tasa fija. Devuelva su Proheat Heat Gun con transporte previamente pagado incluyendo una nota explicativa del problema, a:

Master Appliance Corp.
Attention: Repair Department
2420 - 18th Street
Racine, WI 53403 EE.UU.

Teléfono: (262) 633-7791
Fax: (262) 633-9745

Notas

Notas

MASTER
APPLIANCE

Master Appliance Corp.

2420 18th St. • Racine, WI 53403

Tel: (262) 633-7791 • Facsimile: (262) 633-9745

Please visit our Web Site: www.masterappliance.com

Free Manuals Download Website

<http://myh66.com>

<http://usermanuals.us>

<http://www.somanuals.com>

<http://www.4manuals.cc>

<http://www.manual-lib.com>

<http://www.404manual.com>

<http://www.luxmanual.com>

<http://aubethermostatmanual.com>

Golf course search by state

<http://golfingnear.com>

Email search by domain

<http://emailbydomain.com>

Auto manuals search

<http://auto.somanuals.com>

TV manuals search

<http://tv.somanuals.com>