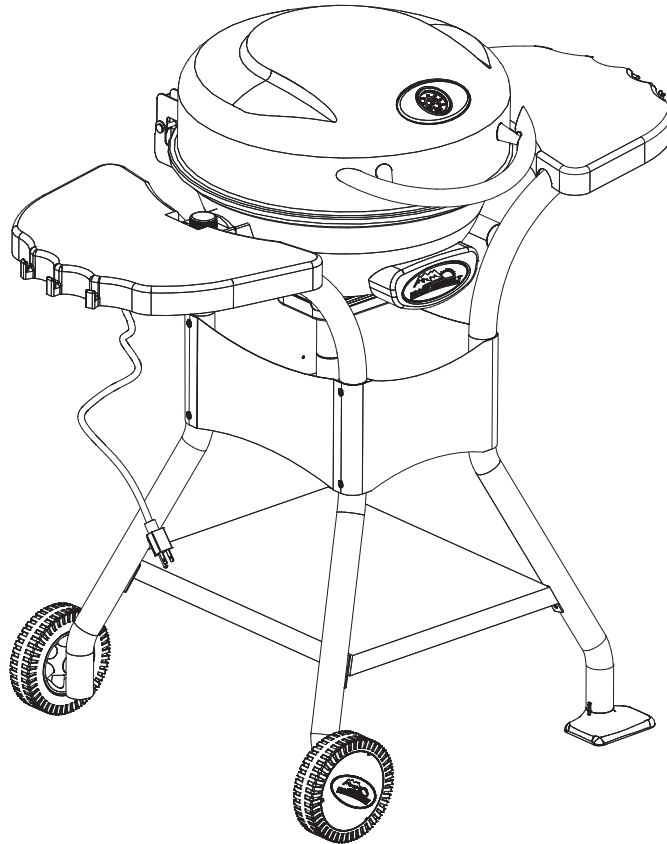




# ASSEMBLY, CARE & USE MANUAL WARNING & SAFETY INFORMATION





ELECTRIC PATIO GRILL

MODELS 20150112, 20150213, 20150513, 20150613, 20150713  
THIS PRODUCT IS FOR OUTDOOR USE ONLY



Approximate assembly time : 60 minutes

Tool needed for assembly: Phillips Head Screwdriver

 <b>WARNING</b> 	 <b>WARNING</b> 
<p><b>Use only outdoors where it is well ventilated.</b></p> <p><b>Fuel, such as charcoal briquettes, wood or heat pellets, are not to be used in the unit.</b></p>	<p><b>This manual contains important information necessary for the proper and safe use of this unit.</b></p> <p><b>Read and follow all warnings and instructions before using grill and during use.</b></p> <p><b>Keep this manual for future reference.</b></p>
<p><b>Failure to follow these warnings and instructions properly could result in personal injury or death.</b></p>	



## **GENERAL WARNINGS AND SAFETY INFORMATION**



### **READ ALL INSTRUCTIONS**

When using electrical appliances, basic safety precautions should always be followed including the following:

- Cannot be operated for more than 3 hours.
- Use GFI protected electrical outlet to reduce the risk of electrical shock.
- For outdoor use only. Do not operate in an enclosed area.
- Unit **MUST** be on the ground. Do not place unit on tables or counters. Do **NOT** move unit across uneven surfaces.
- Do not plug in electric grill until fully assembled and ready for use.
- Use only approved grounded electrical outlet.
- Do not use during an electrical storm.
- Do not expose electric grill to rain or water at anytime.
- To protect against electrical shock do not immerse cord, plug or control panel in water or other liquid.
- Do not operate any appliance with a damaged cord or plug, or after appliance malfunctions or has been damaged in any manner. Contact Masterbuilt Customer Service for assistance at 1-800-489-1581.
- Keep a fire extinguisher accessible at all times while operating electric smoker.
- Do not let cord hang touch hot surfaces.
- Do not place on or near a hot gas or electric burner, or in a heated oven.
- Keep children and pets away from electric smoker at all times. Do not allow children to use electric smoker. Close supervision is necessary should children or pets be in area where electric smoker is being used.
- Fuel, such as charcoal briquettes, wood or heat pellets, are not to be used in electric grill.
- Never use electric grill as a heater (**READ CARBON MONOXIDE HAZARD ON FRONT COVER**).
- Use electric grill only on a level, stable surface to prevent tipping.
- Electric grill is **HOT** while in use and will remain **HOT** for a period of time afterwards. Use caution.
- Do not touch **HOT** surfaces.
- Do not allow anyone to conduct activities around electric grill during or following its use until the unit has cooled. Electric grill is **HOT** during operation and remains **HOT** for a period of time following use.
- The use of alcohol, prescription or non-prescription drugs may impair the user's ability to properly assemble or safely operate electric smoker.
- Avoid bumping or impacting electric grill.
- Never move electric grill when in use. Allow electric grill to cool completely before moving or storing.

**WARNINGS & IMPORTANT SAFEGUARDS CONTINUED ON PAGE 2**



## **GENERAL WARNINGS AND SAFETY INFORMATION**



- Be careful when removing food from electric grill. All surfaces are HOT and may cause burns. Use protective gloves or long, sturdy cooking tools.
- Drip tray is only for the bottom of electric grill. Do not put drip tray on cooking grate this may damage electric grill.
- To disconnect, turn control panel “OFF” then remove plug from outlet.
- Unplug from outlet when not in use and before cleaning. Allow unit to cool completely before adding/removing grate, or drip tray.
- Dispose of cold ashes by placing them in aluminum foil, soaking with water and discarding in a non-combustible container.
- Do not store electric grill with HOT ashes inside unit. Store only when all surfaces are cold.
- Accessory attachments not supplied by Masterbuilt Manufacturing, Inc. are not recommended and may cause injury.
- The use of accessory attachments not recommended by the appliance manufacturer may cause injuries.
- Never use electric grill for anything other than its intended purpose. This unit is not for commercial use.
- Always use electric grill in accordance with all applicable local, state and federal fire codes.
- Longer detachable power-supply cords or extension cords are available and may be used if care is exercised in their use.
- If a longer detachable power-supply cord or extension cord is used: 1. The marked electrical rating of the cord set or extension cord should be at least as great as the electrical rating of the appliance; and 2. The cord should be arranged so that it will not drape over the counter top or tabletop where it can be pulled by children or tripped over intentionally.
- The extension cord must be a grounding -type 3-wire cord.
- Outdoor extension cords must be used with outdoor use products and are marked with suffix “W” and with the statement “Suitable for Use with Outdoor Appliances.
- CAUTION - To reduce the risk of electric shock, keep extension cord connection dry and off the ground.
- Do not clean this product with a water sprayer or the like.
- Keep hands, hair and face away from the element. Be careful of loose hair and clothing during operation, they could catch fire.
- Never use glassware, plastic or ceramic cookware on this grill.
- Preheating grill is not necessary. If preheating is desired, open lid with caution.
- Minimum distance from side and back of appliance to walls or railing is 24 inches.
- Do not use unit near heat sensitive or combustible structures such as vinyl or wood siding.

**WARNINGS & IMPORTANT SAFEGUARDS CONTINUED ON PAGE 3**



## **GENERAL WARNINGS AND SAFETY INFORMATION**



- Fatty foods (hamburgers, etc.) can have excess grease and cause flare ups. When cooking fatty foods use a low setting with lid open.
- Clean internal base pan before each use. This will cut down on build-up and flare-ups.
- Do not expose electric grill to rain. Do not use around water or operate on wet surfaces. This could cause an electric shock leading to injury and death.
- Be sure drip tray is clean before each use.

### **SAVE THESE INSTRUCTIONS**



### **WARNING**



**COMBUSTION BY-PRODUCT PRODUCED WHEN USING THIS PRODUCT CONTAINS CHEMICALS KNOWN TO THE STATE OF CALIFORNIA TO CAUSE BIRTH DEFECTS, OTHER REPRODUCTIVE HARM, OR CANCER.**

**THE MATERIALS USED IN THIS PRODUCT MAY CONTAIN LEAD A CHEMICAL KNOWN TO THE STATE OF CALIFORNIA TO CAUSE BIRTH DEFECTS AND OTHER REPRODUCTIVE HARM.**



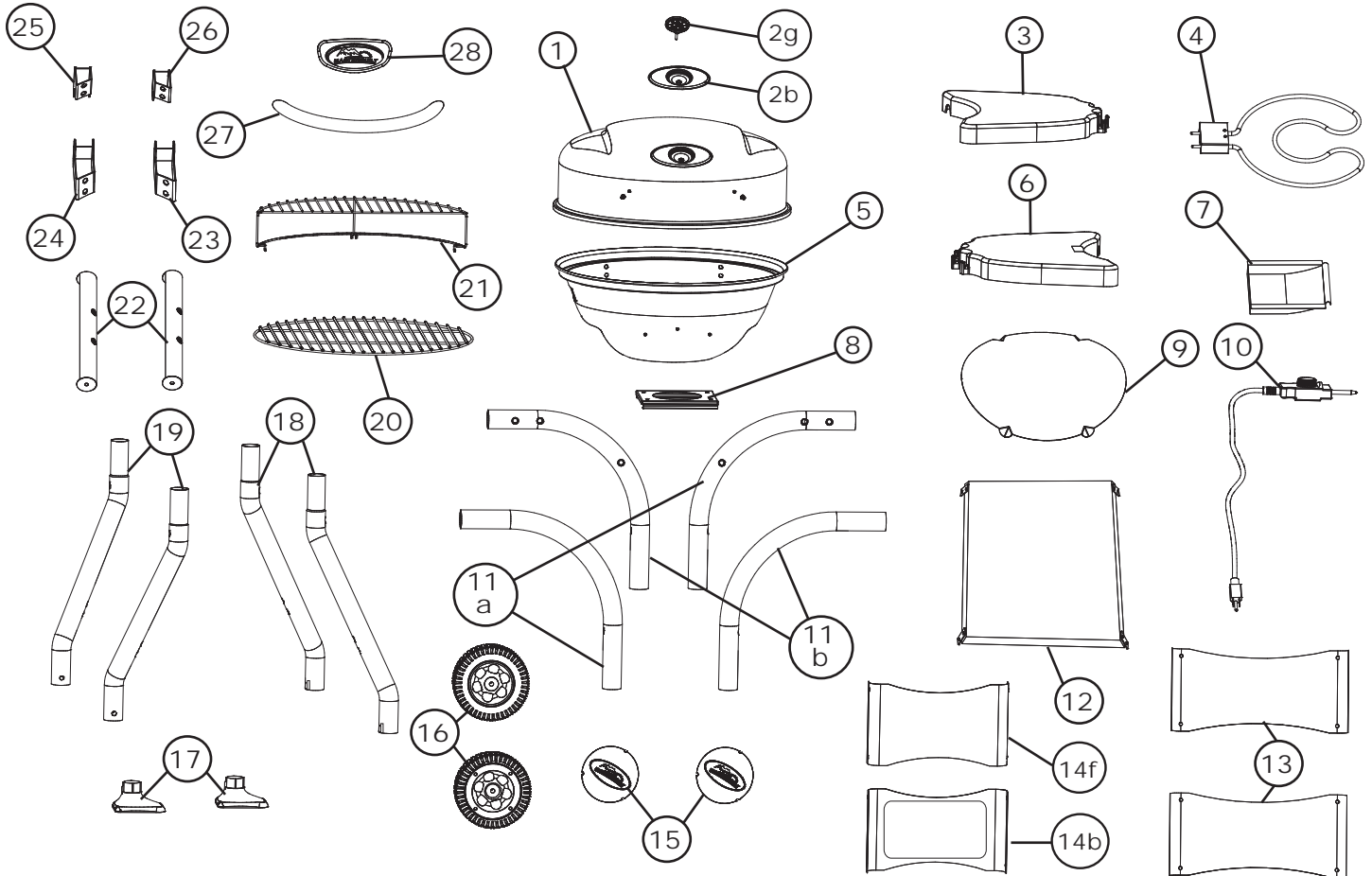
**DO NOT RETURN TO RETAILER** For Assembly Assistance, Missing or Damaged Parts

Call: MASTERBUILT Customer Service at 1-800-489-1581.

Please have Model Number and Serial Number available when calling.

These numbers are located on silver label on back of unit.

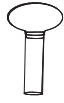
## PARTS LIST



PART NO	QTY	DESCRIPTION	PART NO	QTY	DESCRIPTION
1	1	Grill Lid	14b	1	Back Panel
2g	1	Temperature Gauge	15	2	Hub Cap
2b	1	Temperature Gauge Base	16	2	Wheel
3	1	Right Side Shelf	17	2	Foot
4	1	Heating Element	18*	2	Leg
5	1	Grill Base	19*	2	Wheel Leg
6	1	Left Side Shelf	20	1	Cooking Grate
7	1	Drip Tray	21	1	Warming Rack
8	1	Drip Tray Bracket	22	2	Seat
9	1	Reflector Plate	23	1	Right Bottom Hinge
10	1	Controller	24	1	Left Bottom Hinge
11a	2	Front right/Back left Support	25	1	Left Lid Hinge
11b	2	Front left/Back right Support	26	1	Right Lid Hinge
12	1	Bottom Shelf	27	1	Handle
13	2	Side Panel	28	1	Logo Base
14f	1	Front Panel			

\*Legs are marked with stickers (FR-Front Right, FL-Front Left, BR-Back Right, BL-Back Left) to correspond easily with parts 11a and 11b during assembly Steps 3-5.

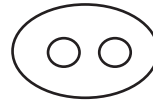
## HARDWARE LIST



(A)  
M5  
Thumb Screw  
Qty: 2



(B)  
M6x35  
Phillips Head Screw  
Qty: 2



(C)  
34x25  
Flat Washer  
Qty: 4



(D)  
M4x40  
Phillips Head Screw  
Qty: 2



(E)  
M8x55  
Phillips Head Screw  
Qty: 2



(F)  
Bakelite Spacer  
Qty: 2



(G)  
M6x13  
Phillips Head Screw  
Qty: 40



(H)  
M4x12  
Phillips Head Screw  
Qty: 3



(I)  
M6  
Flat Washer  
Qty: 8



(J)  
M4  
Flat Washer  
Qty: 5



(K)  
M8  
Flat Washer  
Qty: 2



(L)  
M6x8  
Phillips Head Screw  
Qty: 4

## PARTS LIST

PART NO	REPLACEMENT PART	PART NO	REPLACEMENT PART
9915110002	Lid Kit - Blue	9915110016	Rear Left Leg Kit
9915110003	Base Kit - Blue	9915110017	Rear Right Leg Kit
9915110004	Lid Handle Kit	9915110018	Front Panel Kit
9915110005	Hinge Kit	9915110019	Back Panel Kit
9915110006	Right Side Shelf Kit	9915110020	Side Panel Kit
9915110007	Left Side Shelf Kit	9915110021	Bottom Shelf Kit
9915110008	Logo Plate Kit	9915110022	Wheel Kit
9915110009	Temperature Gauge Kit	9910090010	Element Kit
9915110010	Drip Tray Kit	9015110002	Foot
9915110011	Grill Seat Kit	9015110003	Warming Rack
9915110012	Front Left/Back Right Leg Kit	9015110004	Cooking Grate
9915110013	Front Right/Back Left Leg Kit	9015110005	Reflector Plate
9915110014	Front Left Leg Kit	9015110001	Grill Cover
9915110015	Front Right Leg Kit	9007090063	Analog Control w/ Power Cord
9015110006	Hub Cap	9915110023	Lid Kit - Red
9915110024	Lid Kit - Black	9915110025	Base Kit - Red
9915110026	Base Kit - Black	9915110001	Hardware Kit
		9815110001	Instruction Manual

**STOP!**

**DO NOT RETURN TO RETAILER** For Assembly Assistance, Missing or Damaged Parts  
Call: MASTERBUILT Customer Service at 1-800-489-1581.  
Please have Model Number and Serial Number available when calling.  
These numbers are located on silver label on back of unit.

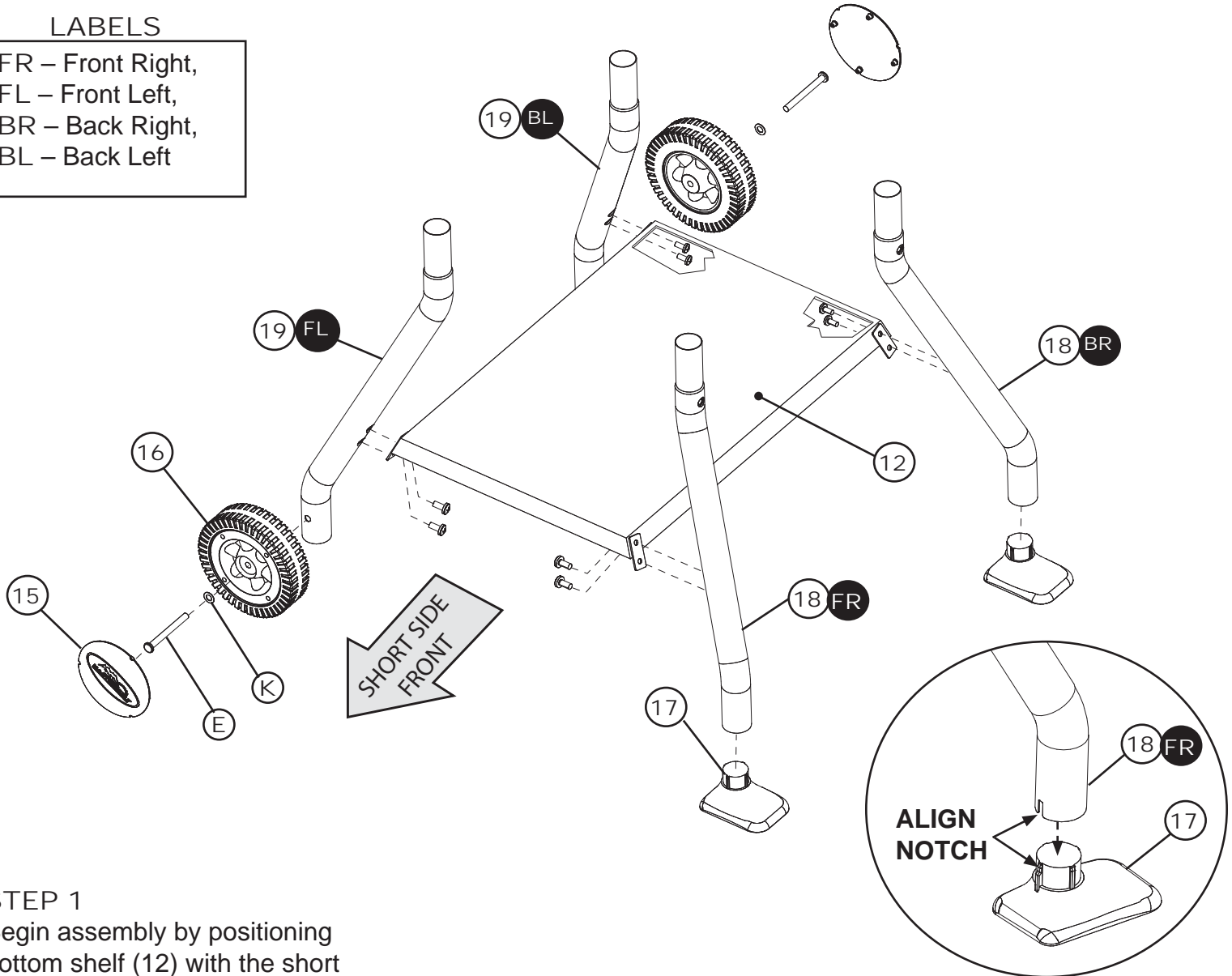
## ASSEMBLY

- BEFORE ASSEMBLY READ ALL INSTRUCTIONS CAREFULLY.
- ASSEMBLE UNIT ON A CLEAN, FLAT SURFACE.
- TOOL NEEDED: PHILLIPS HEAD SCREWDRIVER
- UNPACK ALL PARTS AND LAY OUT IN FRONT OF YOU. CHECK TO MAKE SURE ALL PARTS ARE IDENTIFIED AND ACCOUNTED FOR.

*\*Note that the front of the grill is actually the shortest width of the bottom storage shelf (12).*

### LABELS

FR – Front Right,  
FL – Front Left,  
BR – Back Right,  
BL – Back Left



### STEP 1

Begin assembly by positioning bottom shelf (12) with the short side of shelf facing you.

This will actually be the front of the grill, making the long sides of shelf the left and right sides.

### STEP 2

Attach wheel (16) to leg (19, "FL") using washer (K) and screw (E) as shown.

Snap hubcap (15) onto wheel. Repeat step for remaining wheel and wheel leg (19 "BL").

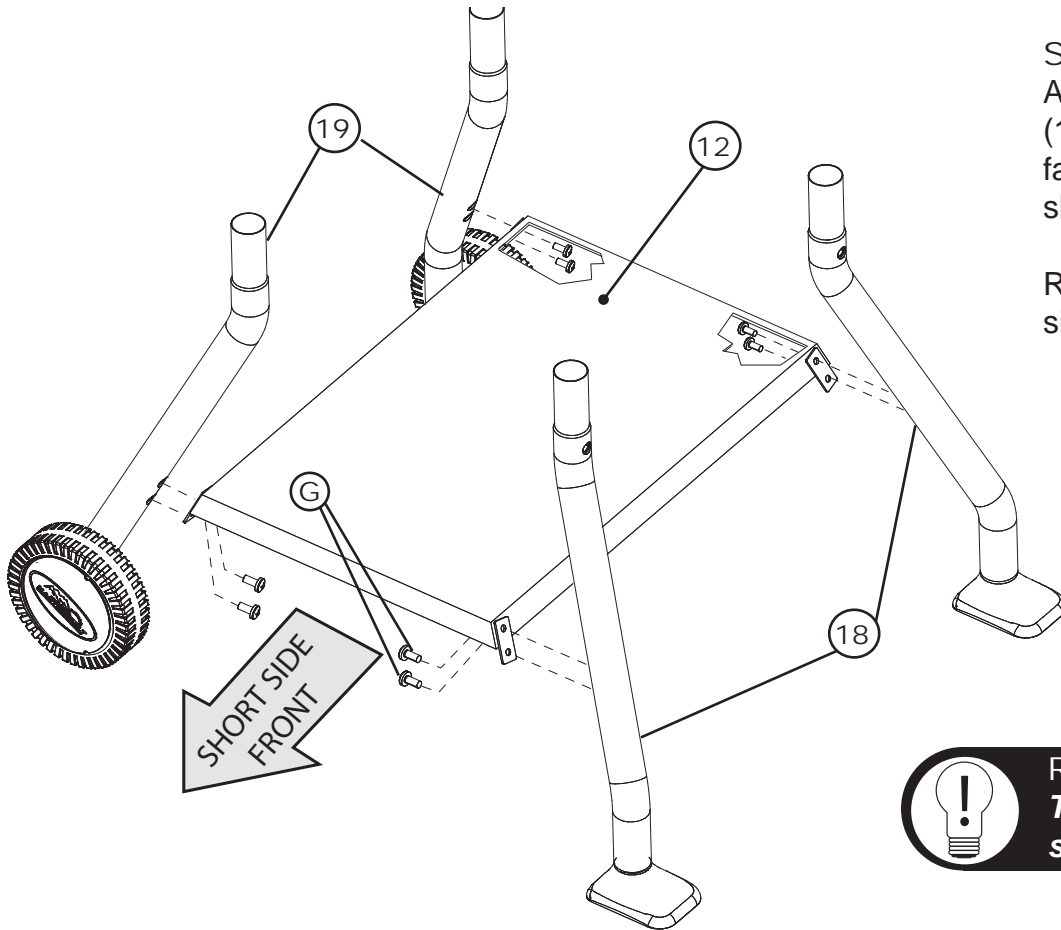
### STEP 3

Align notch on back of foot (17) with the slot in leg (18, "FR") and insert into leg.

Repeat for remaining leg (18, "BR") and foot (17).

**NOTE: DO NOT FULLY TIGHTEN ANY SCREWS UNTIL ALL SCREWS ARE IN PLACE AND THE GRILL IS FULLY ASSEMBLED.**

## ASSEMBLY



### STEP 4

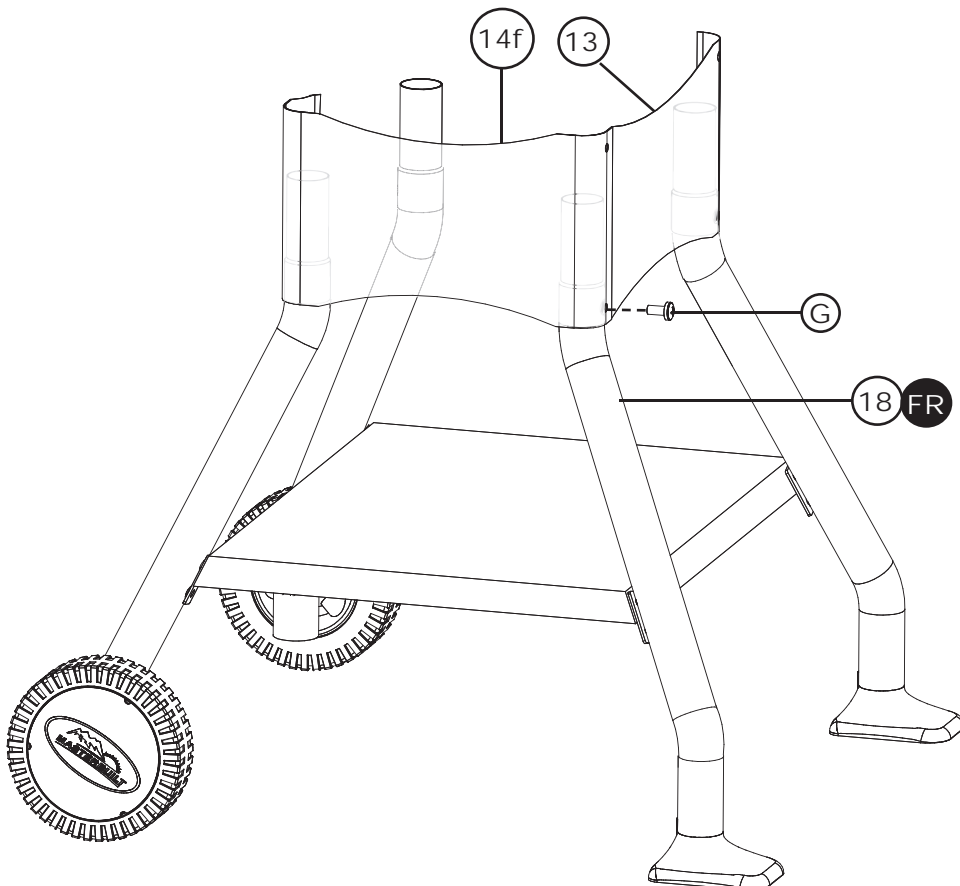
Attach bottom shelf (12) to legs (18) using screws (G) with the feet facing away from right side of the shelf as shown.

Repeat for wheel legs (19) on left side using screws (G).



### REMEMBER!

*The short side of bottom shelf (12) is the front of grill.*



### STEP 5a

Locate front panel (14f) [This is the short panel without the serial plate] and one side panel (13) [This is one of the longer panels].

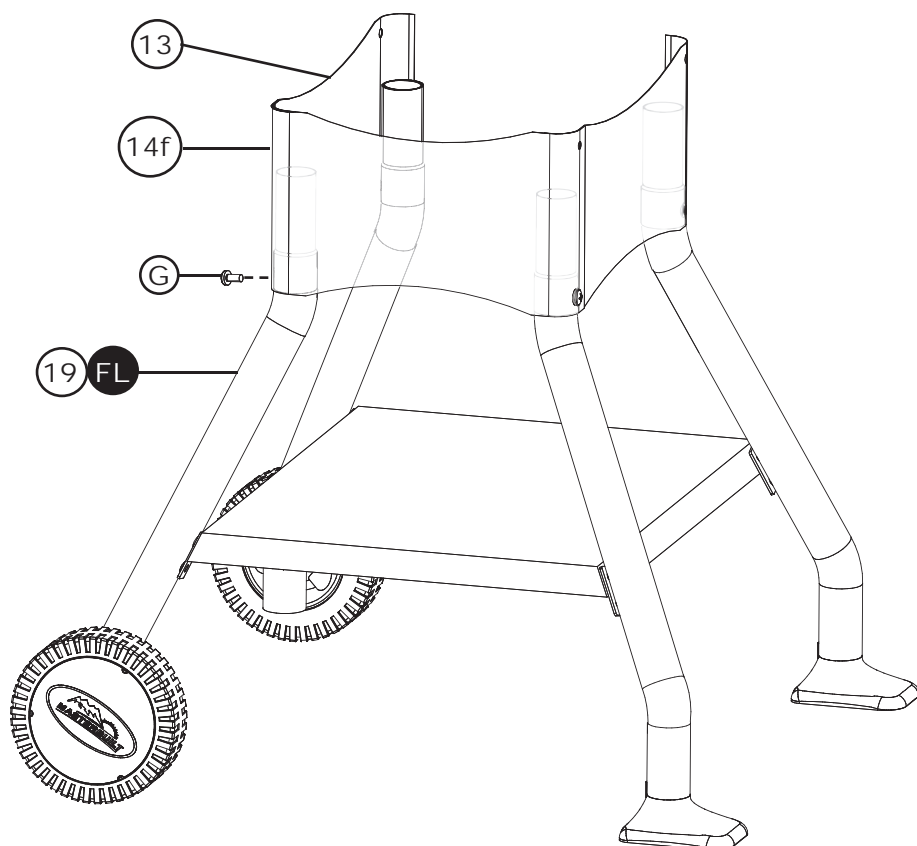
Place panel (14f) over (13) while aligning screw holes. Insert screw (G) through both panels, securing panels to front right leg (18, "FR").



# ASSEMBLY

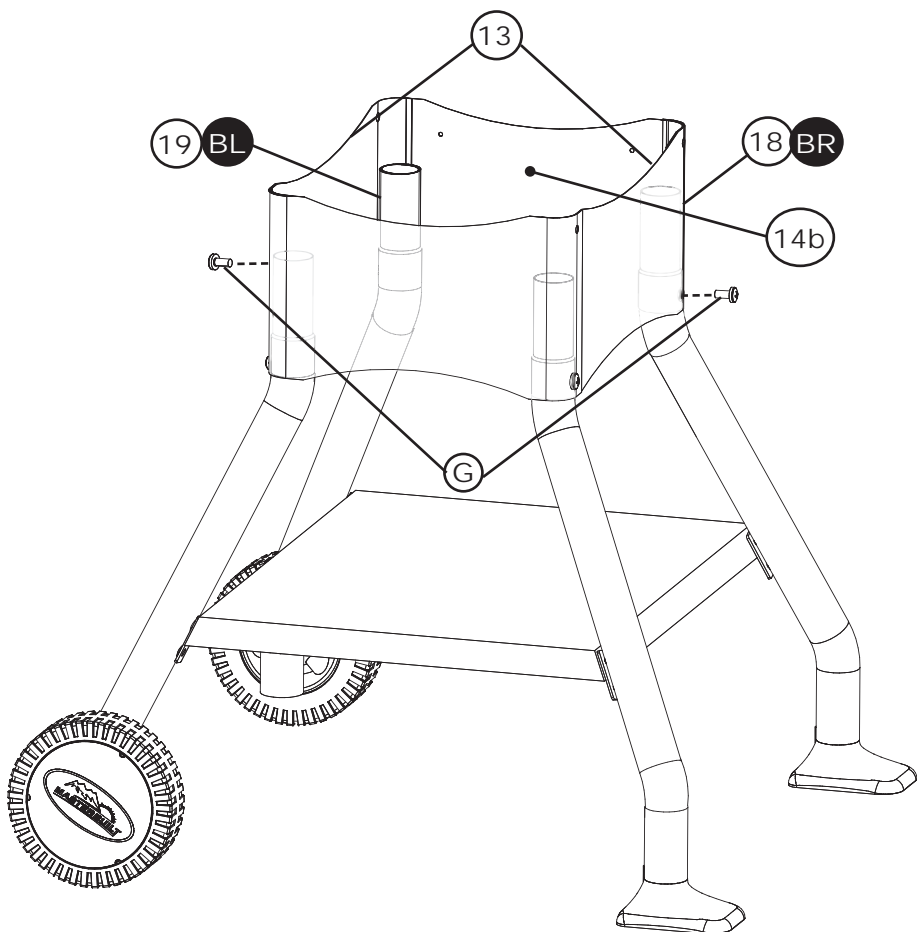
## STEP 5b

Repeat step 4a for leg (19, "FL").

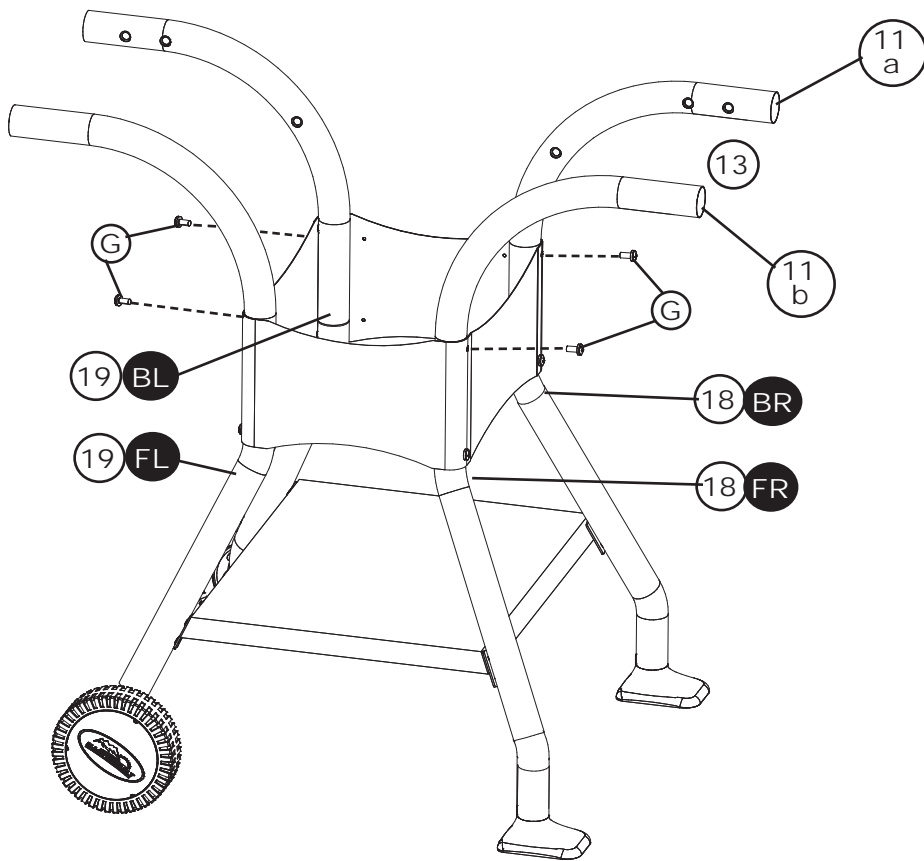


## STEP 5c

Place panel (14b) [the panel with the serial plate] over panels (13) and insert screw (G) into bottom holes.



## ASSEMBLY

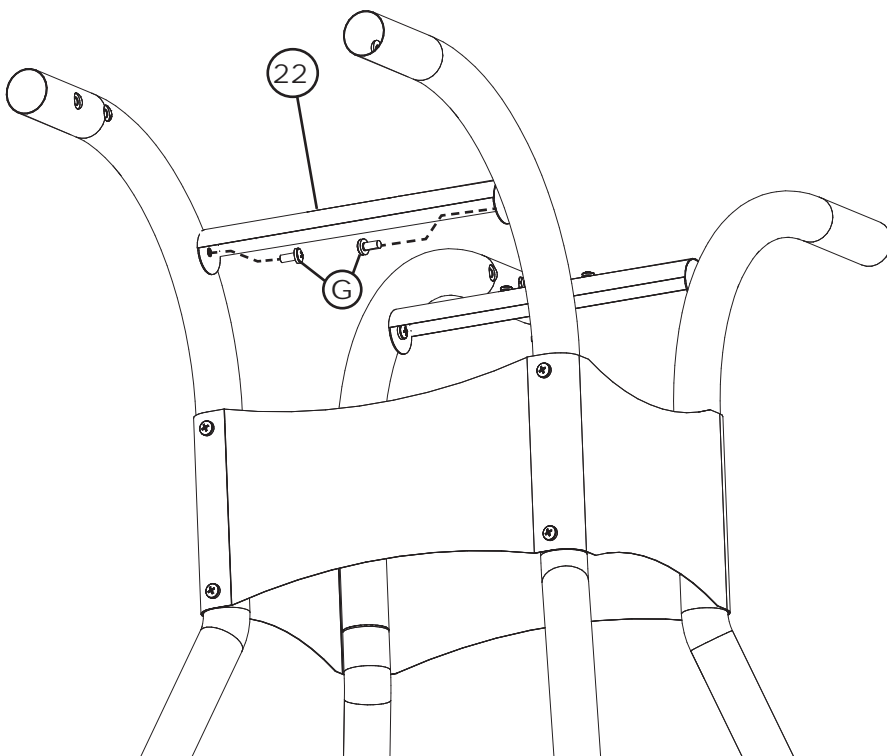


### STEP 6

Insert support (11b) into front leg (18, "FR") with holes facing inward. Insert other (11a) into back leg (18, "BR") with holes facing inward.

Repeat steps for left side.

When all supports are in place screw holes should be facing each other as shown in image.

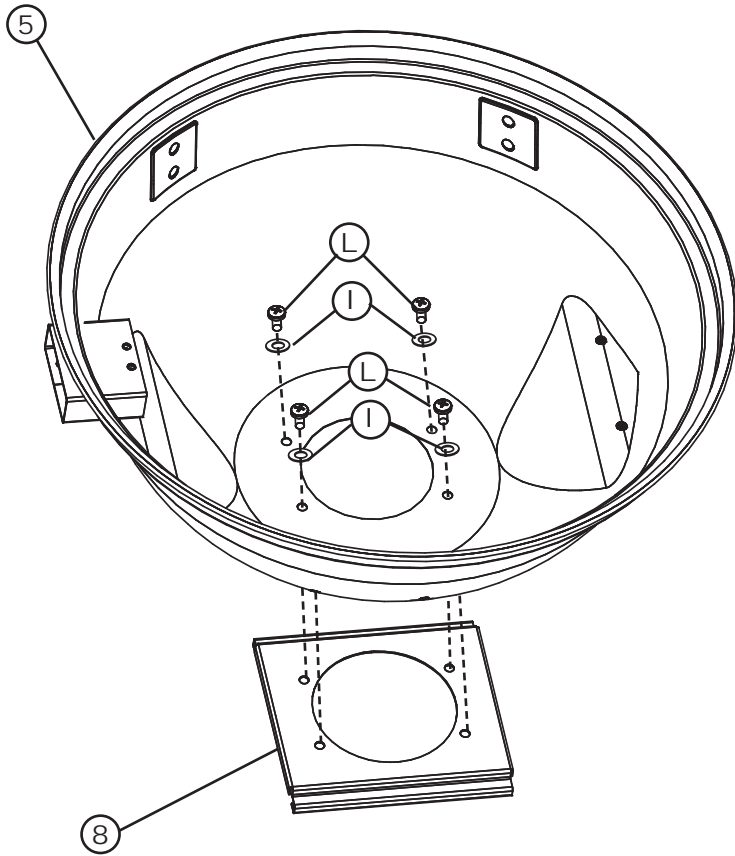


### STEP 7

Attach seat (22) to supports using screws (G).

Repeat step for remaining seat on opposite side.

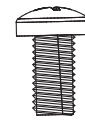
# ASSEMBLY



## STEP 8

Attach drip tray bracket (8) to grill base (5) using washers (I) and screws (L).

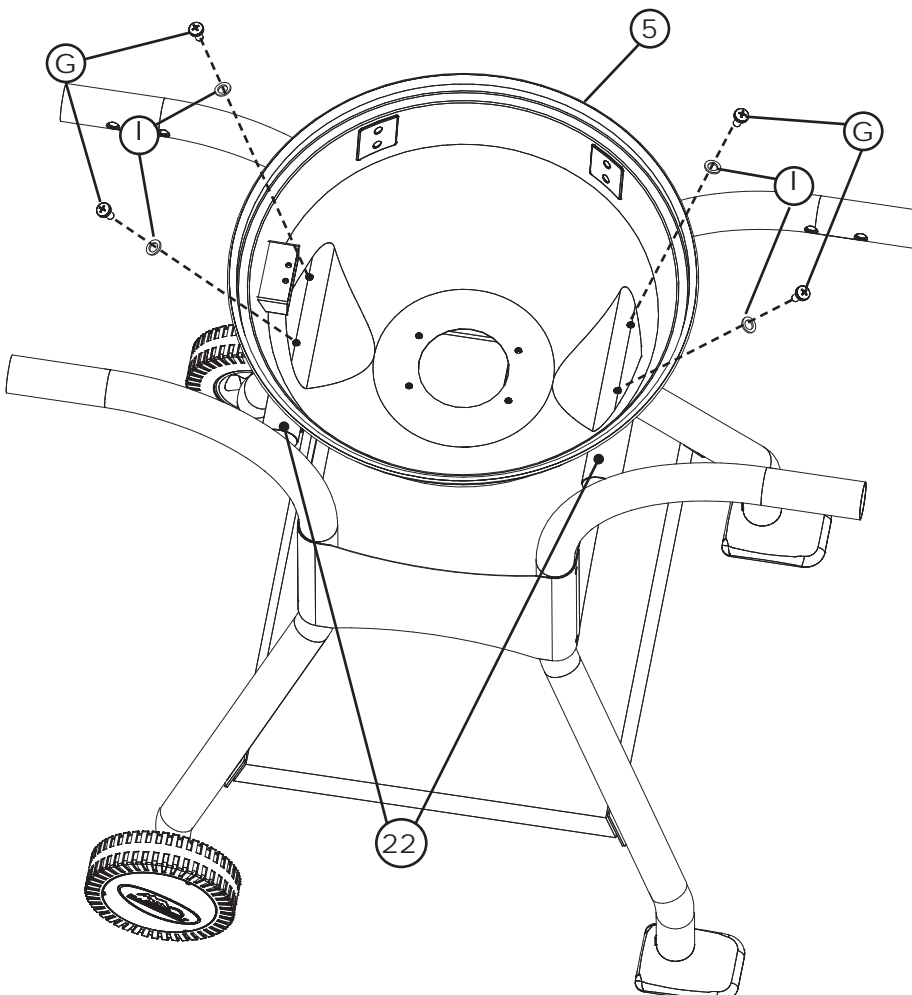
**Note: Make sure to use screw (L) from the blister pack, and not screw (G) as screw (L) is shorter than (G).**



(L)  
M6x8  
Phillips Head  
Screw

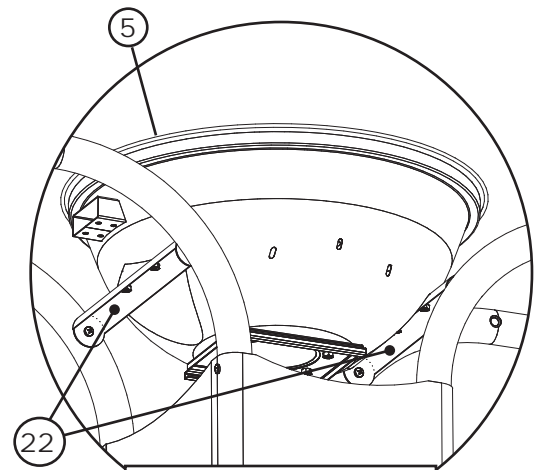


(G)  
M6x13  
Phillips Head  
Screw



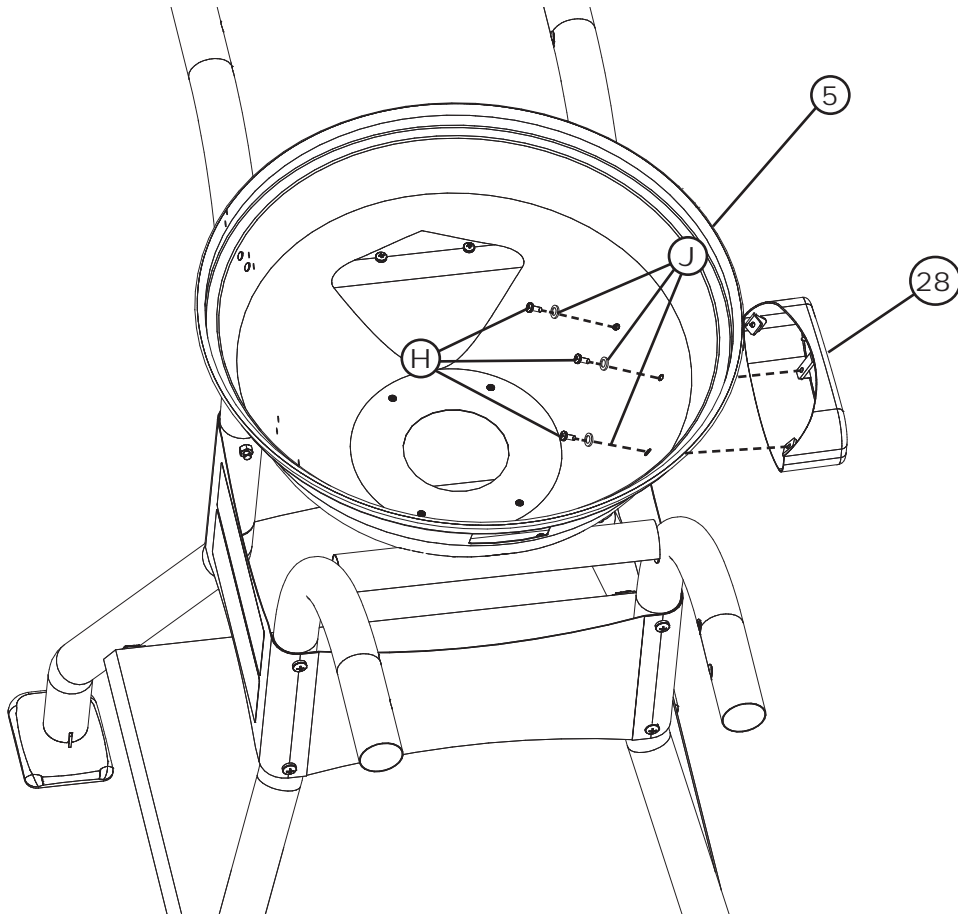
## STEP 9

Position grill base (5) onto seat (22) as shown. Secure using washers (I) and screws (G).



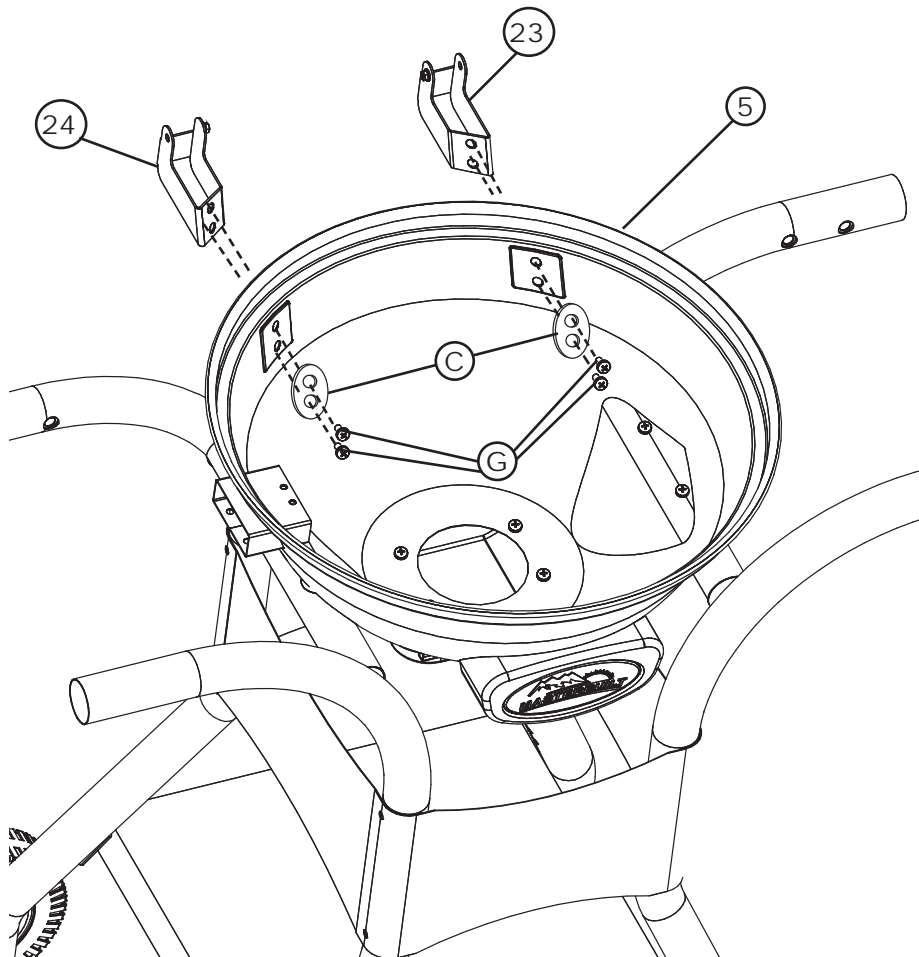
View of grill base (5)  
positioned on seats  
(22) from below.

## ASSEMBLY



### STEP 10

Place logo base (28) onto grill base (5). Secure using washers (J) and screws (H).



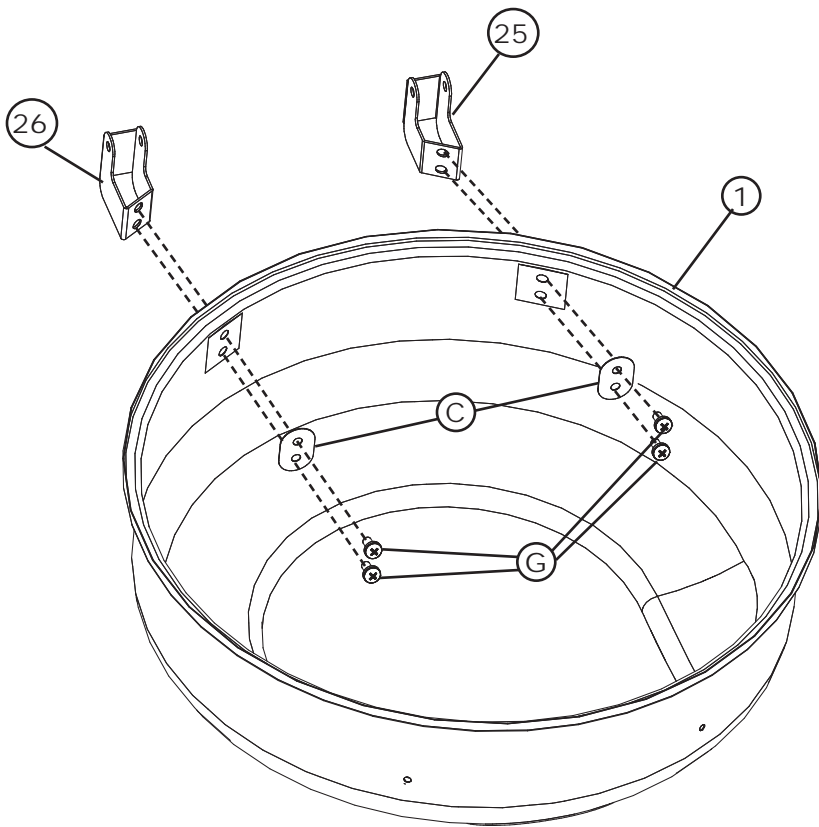
### STEP 11

**Note: Hinge for grill base is larger than hinge for grill lid.**

Attach left bottom hinge (24) to grill base (5) using washers (C) and screws (G). [Welded nut on left bottom hinge (24) should be facing right when secured.]

Repeat step on other side with right bottom hinge (23), washers (C) and screws (G). [Welded nut on right bottom hinge (23) should be facing left when secured.]

## ASSEMBLY

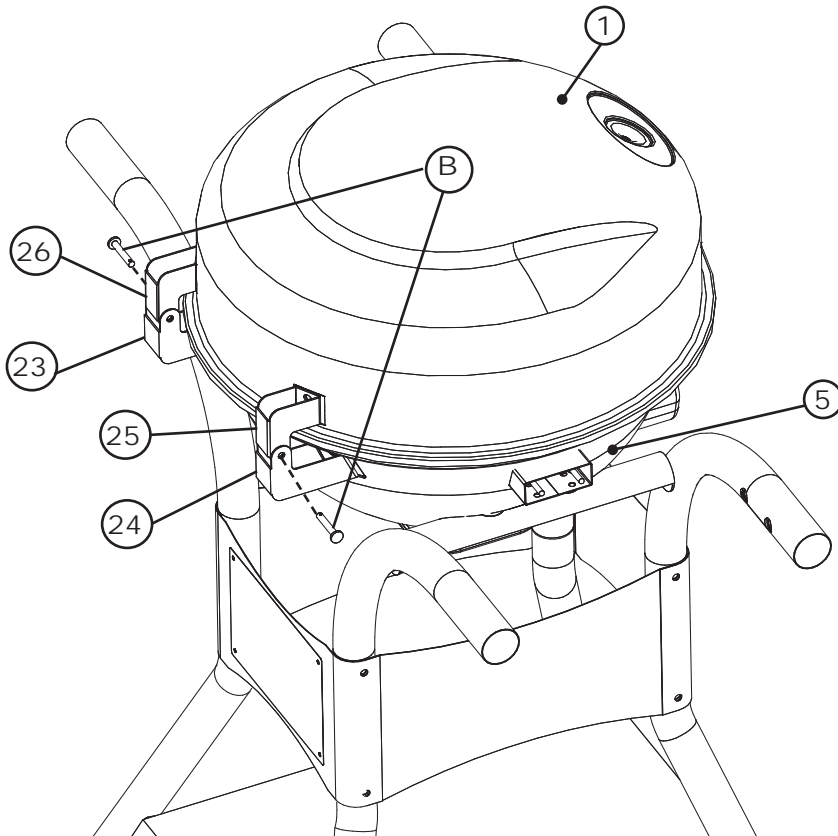


### STEP 12

**Note: Hinge for grill lid is smaller than hinge for grill base.**

From inside grill lid, align holes of left lid hinge (25) to grill lid (1) holes. Secure with screws (G) and flat washer (C).

Repeat step on other side with right lid hinge (26), washer (C) and screw (G).

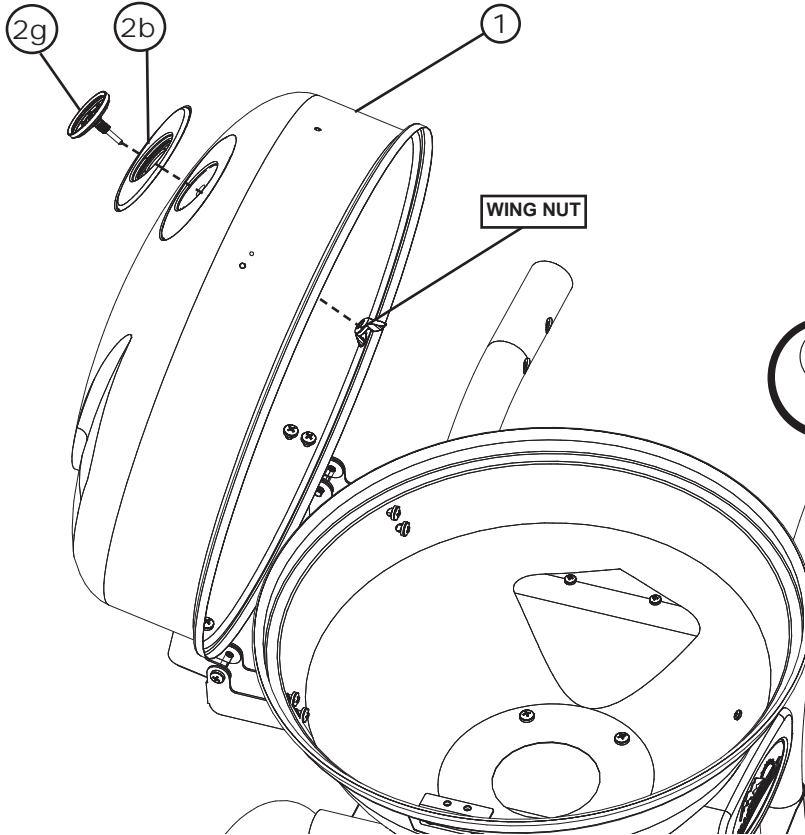


### STEP 13

Position grill lid (1) on top of grill base (5), inserting lid hinges (26) (25) inside bottom hinges (23) (24).

Align holes and secure hinges using screw (B).

## ASSEMBLY



### STEP 14

**\*Note:** *Wing nut is packaged with temperature gauge.*

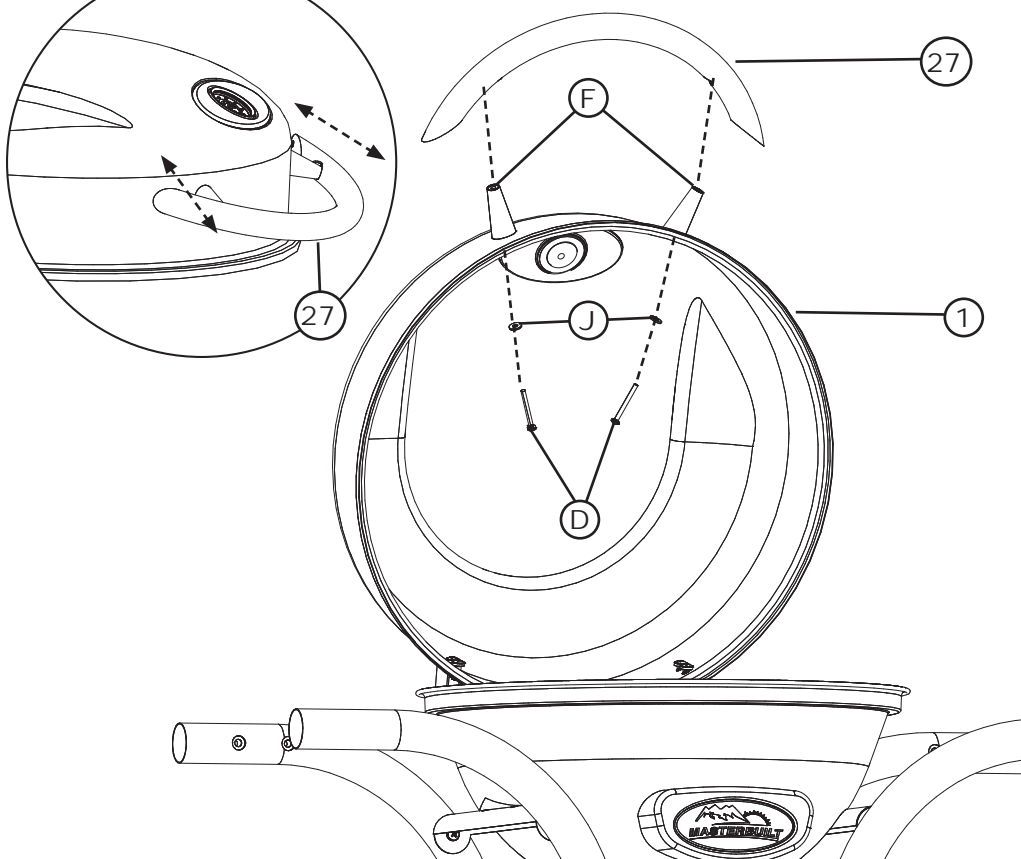
Attach temperature gauge (2g) and temperature gauge base (2b) to grill lid (1) using wing nut.



#### Tip:

*Make sure the temperature readings and Masterbuilt logo in the gauge are aligned correctly before tightening down the wing nut.*

FIGURE 2



### STEP 15

Place bakelite spacer (F) on grill lid (1). Attach handle (27) using washers (J) and screws (D) as shown.

Make sure lid handle (27) is sloping downward as shown in **FIGURE 2**.

The bakelite spacers (F) should be angled down and slightly outward with the larger side of the spacers going to grill lid and the smaller side attached to the handle.

## ASSEMBLY

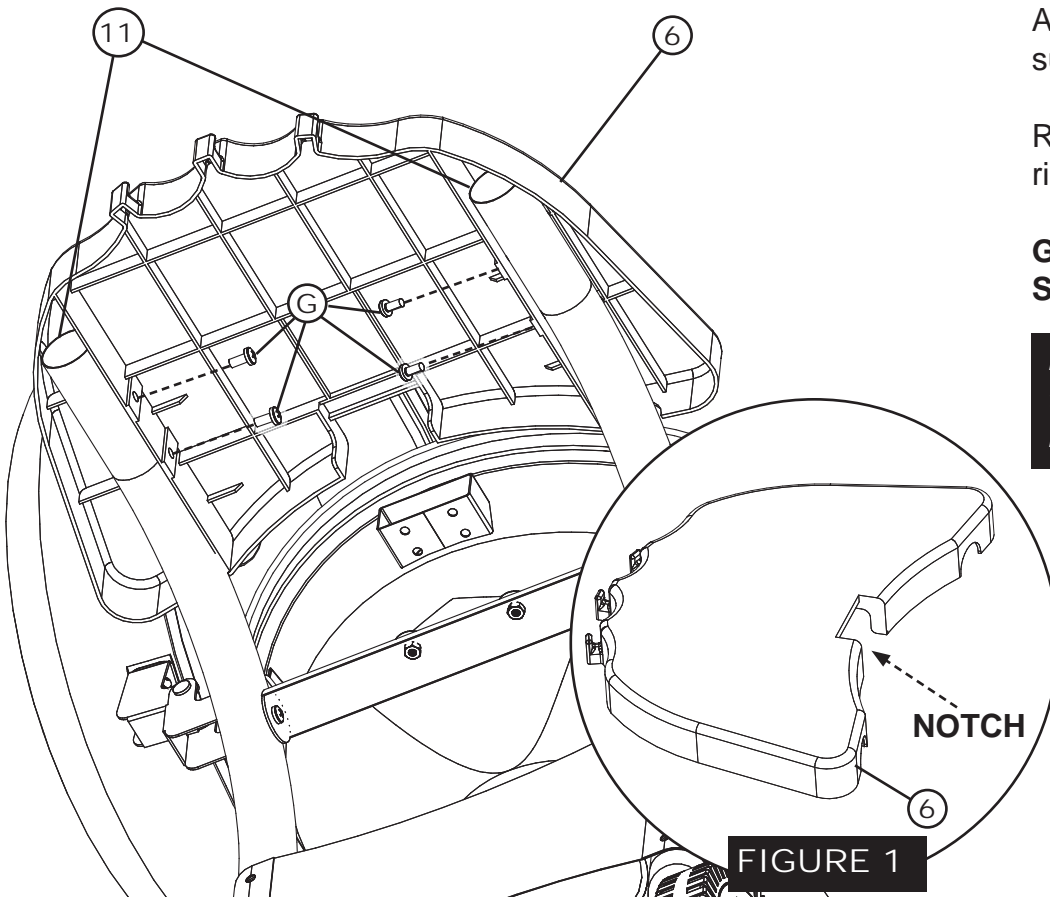
### STEP 16

Attach left side shelf (6) to both supports (11) using screws (G).

Repeat step on opposite side with right side shelf (3).

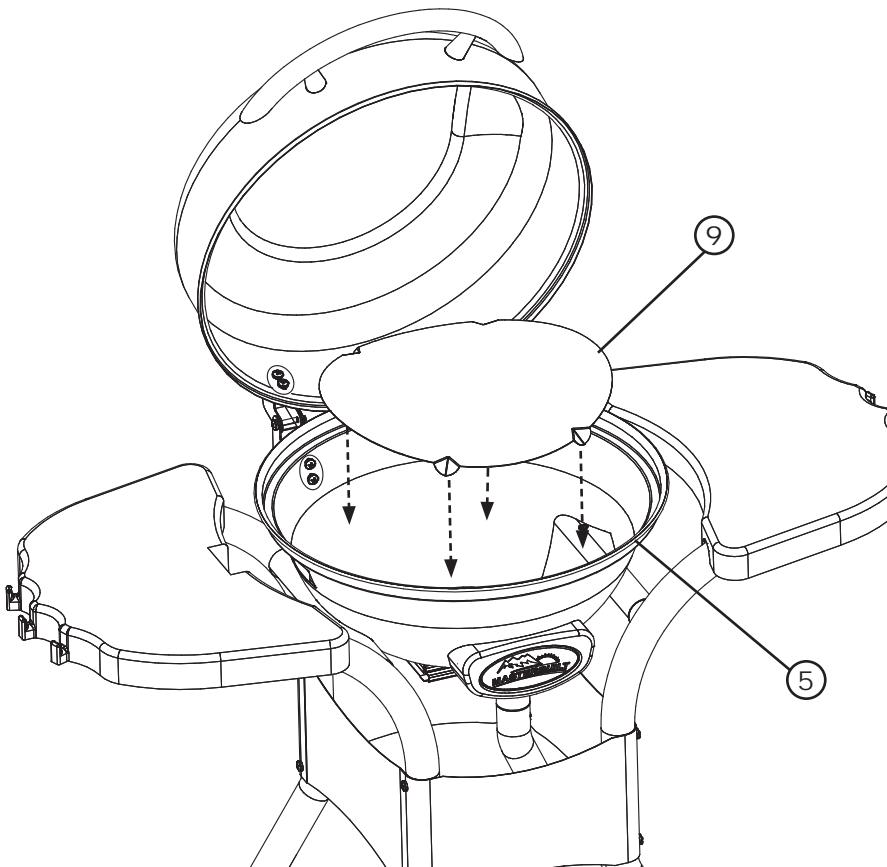
**GO BACK AND TIGHTEN ALL SCREWS AT THIS TIME.**

*Note: The left side shelf is the shelf with a square notch in it as seen in FIGURE 1.*

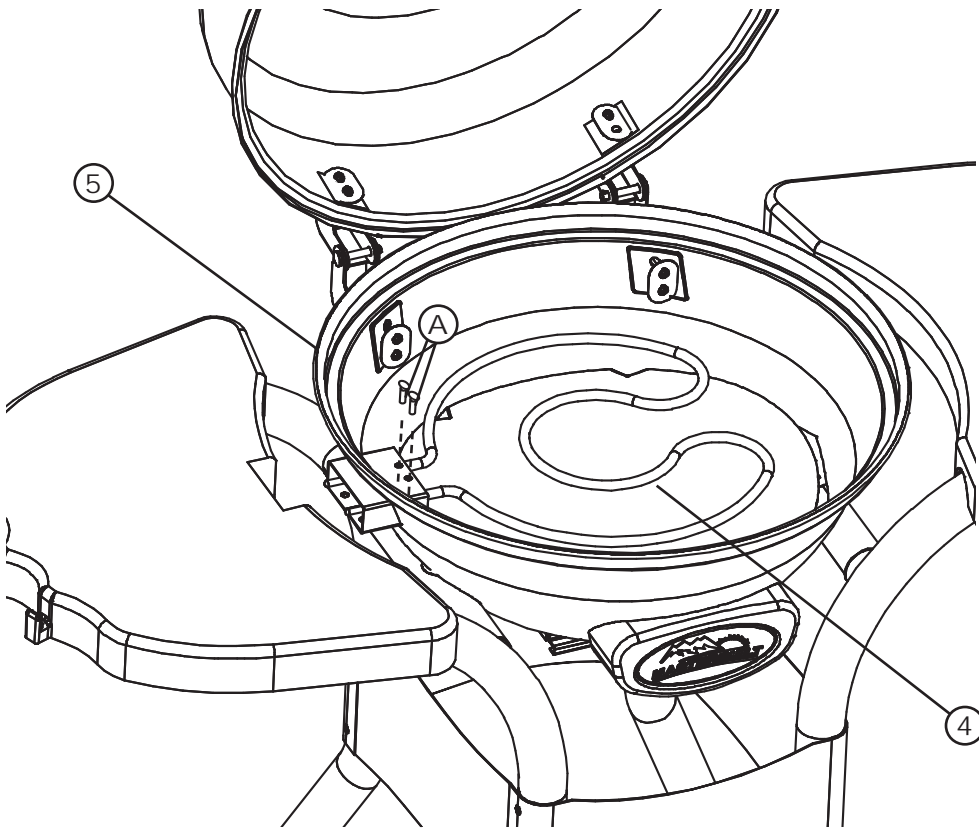


### STEP 17

Place reflector plate (9) into bottom of grill base (5).

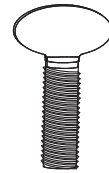


## ASSEMBLY

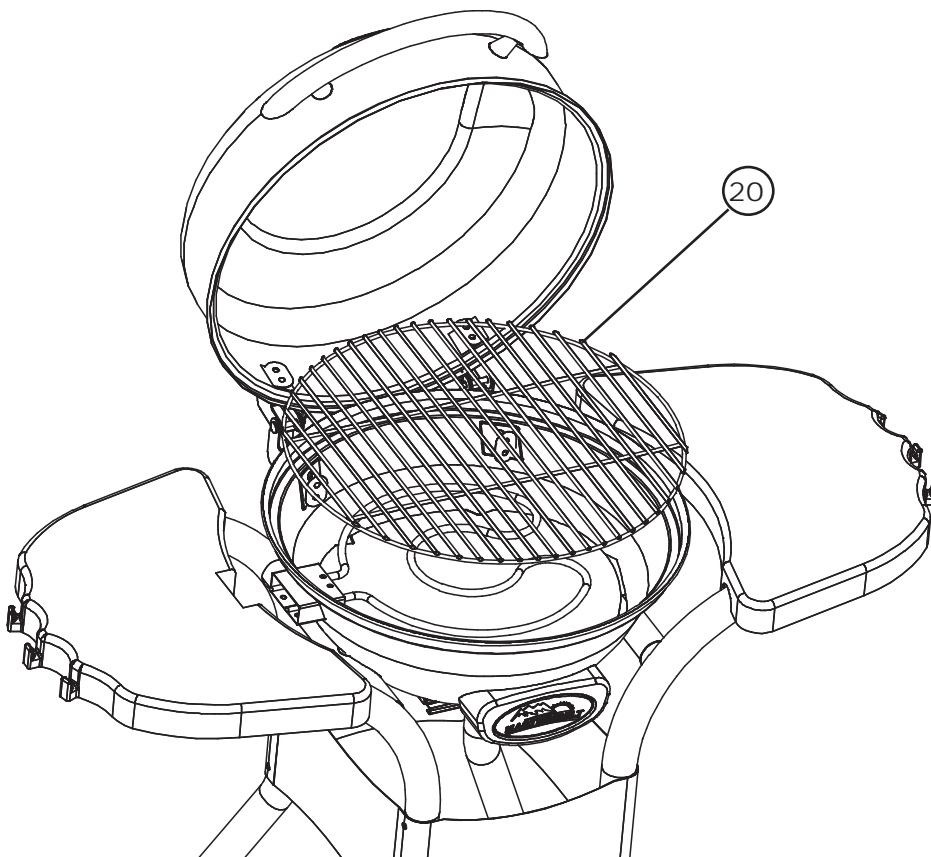


### STEP 18

Attach heating element (4) to grill base (5) using screws (A) as shown.



(A)  
M5  
Thumb Screw



### STEP 19

Position cooking grate (20) on top of grill base (5).

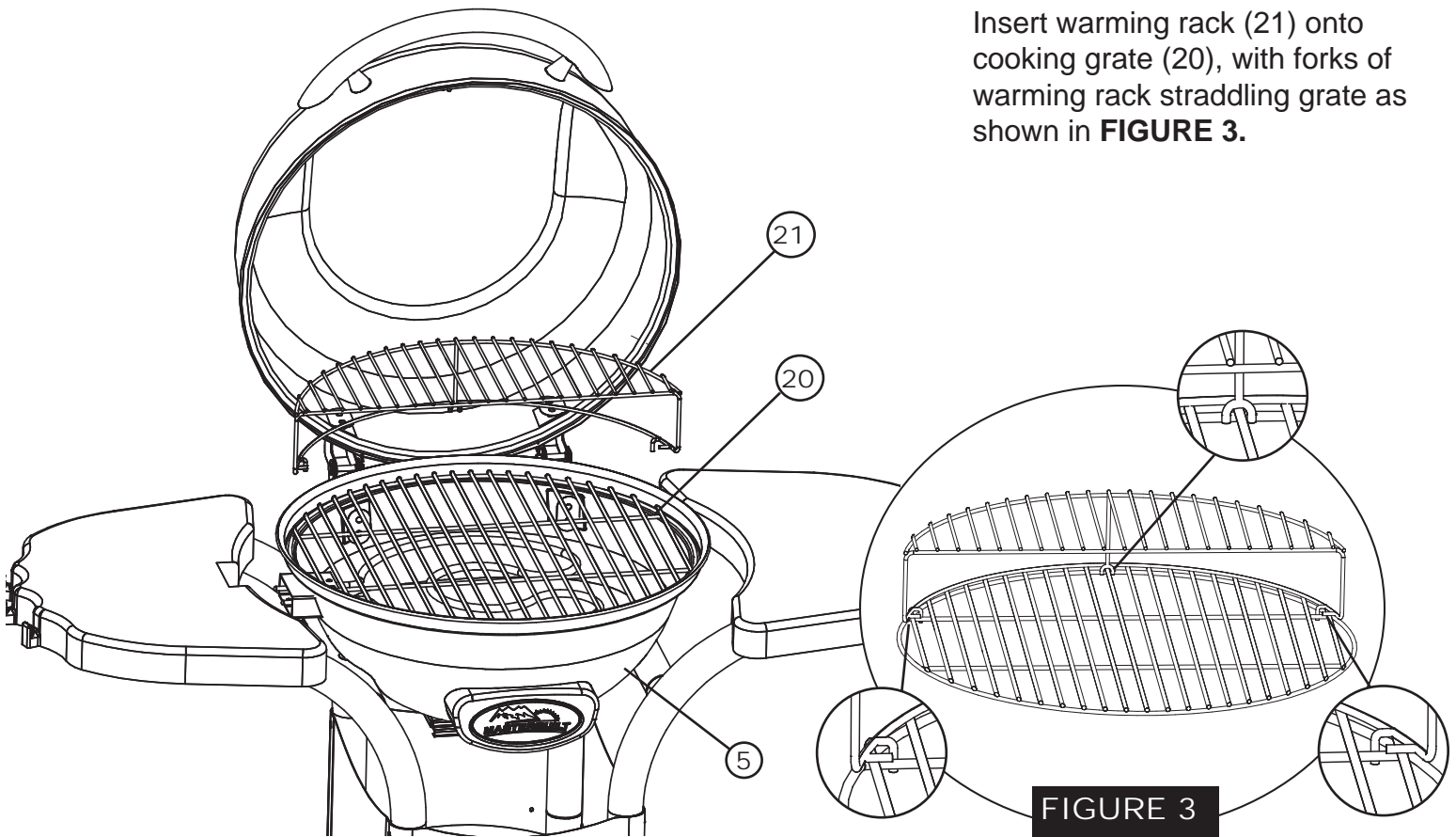
**Note: The 2 support bars on cooking grate (20) should span left to right, with the grates going front to back. This alignment is essential for the next step.**



## ASSEMBLY

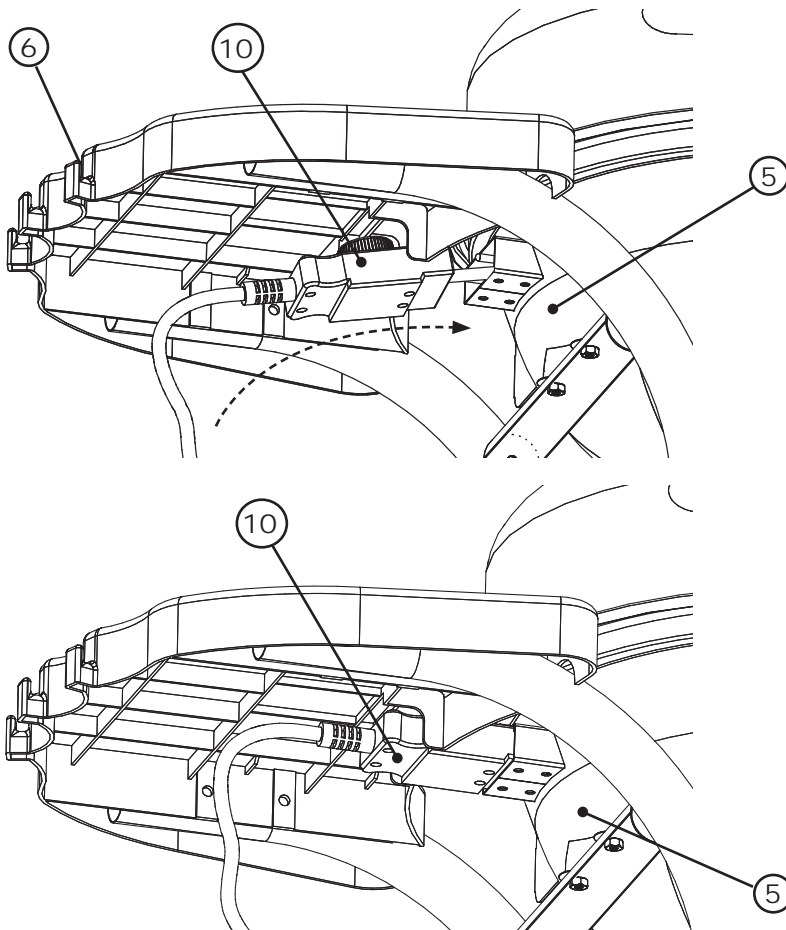
### STEP 20

Insert warming rack (21) onto cooking grate (20), with forks of warming rack straddling grate as shown in **FIGURE 3**.

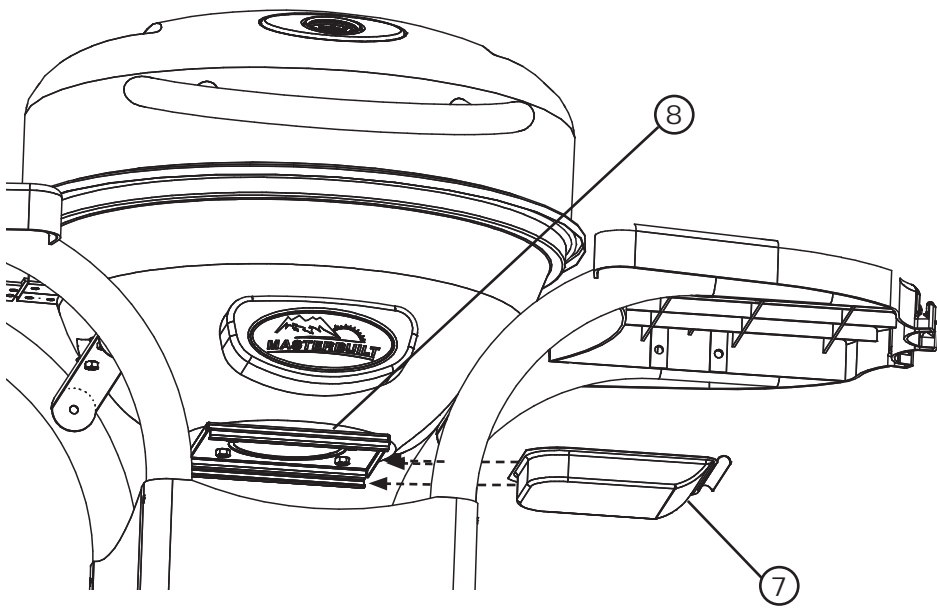


### STEP 21

Plug controller (10) into side of grill base (5) from below side shelf (6), coming in at a slight angle, carefully inserting plug while lifting so that top of controller slips into notch in shelf (6).



## ASSEMBLY



### STEP 21

Slide drip tray (7) into drip tray bracket (8) from the right side.

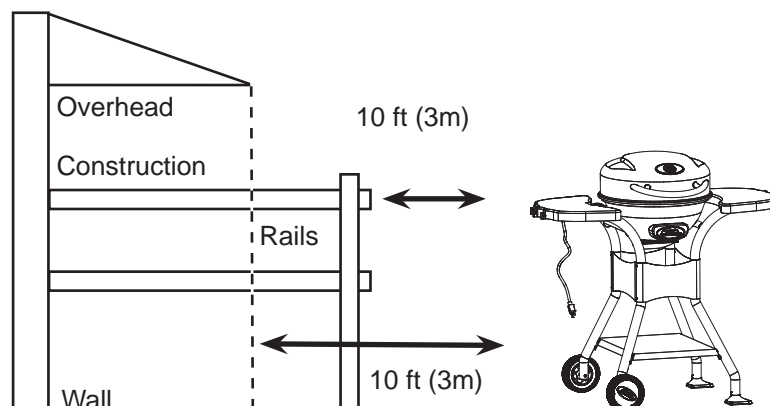
**ASSEMBLY IS COMPLETE**

## SAFE STORAGE AND MAINTENANCE

- Inspect hardware and assembled parts on a regular basis to insure grill is in safe working condition.
- ALWAYS allow grill to cool completely before handling.
- ALWAYS empty drip tray after use only when ashes have completely cooled.
- Clean grill, including special surfaces such as cooking grates with mild cleaning agents. Wipe outside of grill with damp rag. DO NOT use oven cleaner.
- ALWAYS cover and store cold grill in a protected area.
- Indoor storage of grill is permissible only if the grill is completely cold. Remember to clean drip tray before storing.
- Grill is made of steel and may rust over time. If rusting occurs on outside surfaces, clean area with sand paper or steel wool, then cover with heat resistant paint, except for stainless steel parts.
- If rusting occurs on the inside surface of grill, clean area with sandpaper or steel wool, then coat with cooking oil, except for stainless steel parts.
- NEVER USE PAINT ON INSIDE SURFACES OF GRILL.

**ALWAYS MAKE SURE UNIT IS UNPLUGGED AND COOL TO THE TOUCH BEFORE CLEANING AND STORING.**

REMINDER: NEVER OPERATE THIS GRILL UNDER ANY OVERHEAD CONSTRUCTION. MAINTAIN A MINIMUM DISTANCE OF 10 FT (3M) FROM OVERHEAD CONSTRUCTION, WALLS OR RAILS. SEE DIAGRAM BELOW.



## LIMITED WARRANTY

Masterbuilt warrants its products to be free from defects in material and workmanship under proper assembly, normal use and recommended care for 90 days from the date of original retail purchase. Masterbuilt warranty does not cover paint finish as it may burn off during normal use.

Masterbuilt warranty does not cover rust of the unit.

Masterbuilt requires reasonable proof of purchase for warranty claims and suggests that you keep your receipt. Upon the expiration of such warranty, all such liability shall terminate.

Within the stated warranty period, Masterbuilt, at its discretion, shall repair or replace defective components free of charge with owner being responsible for shipping. Should Masterbuilt require return of component(s) in question for inspection Masterbuilt will be responsible for shipping charges to return requested item.

This warranty excludes property damage sustained due to misuse, abuse, accident, damage arising out of transportation, or damage incurred by commercial use of this product.

This expressed warranty is the sole warranty given by Masterbuilt and is in lieu of all other warranties, expressed or implied including implied warranty, merchantability, or fitness for a particular purpose. Neither Masterbuilt nor the retail establishment selling this product, has authority to make any warranties or to promise remedies in addition to or inconsistent with those stated above.

Masterbuilt's maximum liability, in any event, shall not exceed the purchase price of the product paid by the original consumer/ purchaser. Some states do not allow the exclusion or limitation of incidental or consequential damages. In such a case, the above limitations or exclusions may not be applicable.

**California residents only:** Notwithstanding this limitation of warranty, the following specific restrictions apply; if service, repair, or replacement of the product is not commercially practical, the retailer selling the product or Masterbuilt will refund the purchase price paid for the product, less the amount directly attributable to use by the original buyer prior to the discovery of the nonconformity. Owner may take the product to the retail establishment selling this product in order to obtain performance under warranty. This expressed warranty gives you specific legal rights, and you may also have other rights which vary from state to state.



Go Online [www.masterbuilt.com](http://www.masterbuilt.com)  
or complete and return to  
Attn: Warranty Registration  
Masterbuilt Mfg. Inc.  
1 Masterbuilt Court - Columbus, GA 31907

Name: \_\_\_\_\_ Address : \_\_\_\_\_ City: \_\_\_\_\_

State/Province: \_\_\_\_\_ Postal Code: \_\_\_\_\_ Phone Number: (\_\_\_\_\_) - \_\_\_\_\_

E-mail Address: \_\_\_\_\_

\*Model Number: \_\_\_\_\_ \*Serial Number: \_\_\_\_\_

Purchase Date: \_\_\_\_ - \_\_\_\_ - \_\_\_\_ Place of Purchase: \_\_\_\_\_

*\*Model Number and Serial Number are located on silver label on back of unit.*



**Masterbuilt Manufacturing, Inc.  
1 Masterbuilt Ct.  
Columbus, GA 31907  
Customer Service 1-800-489-1581  
[www.masterbuilt.com](http://www.masterbuilt.com)**

## Free Manuals Download Website

<http://myh66.com>

<http://usermanuals.us>

<http://www.somanuals.com>

<http://www.4manuals.cc>

<http://www.manual-lib.com>

<http://www.404manual.com>

<http://www.luxmanual.com>

<http://aubethermostatmanual.com>

Golf course search by state

<http://golfingnear.com>

Email search by domain

<http://emailbydomain.com>

Auto manuals search

<http://auto.somanuals.com>

TV manuals search

<http://tv.somanuals.com>