



BGR-14

## **BGR-14 SERIES**

### Bottom Mounted Glass Door Refrigerator

#### **MODELS**

- BGR-14

## **FEATURES**

### **CONSTRUCTION**

- Cabinet interior constructed of durable ABS sheets
- Seven white epoxy-coated, heavy-duty, welded wire shelves (six top and one bottom)
- Foamed-in-place "low ODP" urethane insulation
- Interior fluorescent lamp
- Fluorescent lit promotional graphic panel
- Adjustable leveling legs
- Condensate evaporator

### **FINISH**

- White epoxy polyester exterior finish (powder coated)

### **DOORS**

- Door size:.....23<sup>3</sup>/<sub>8</sub> x 53"
- Black door frame
- Auto-close, double pane, glass doors with thermal insulating film
- Hold-open feature
- Replaceable door gaskets

### **REFRIGERATION**

- Self-contained, factory tested, bottom mounted refrigeration system
- Slide-out system for easy access
- Top mounted low profile interior fan housing
- Refrigerant: R-134a

- Temperature range: 34° to 41°F (1° to 5°C)
- R-factor (insulation efficiency rating): 18.75

### **WARRANTY**

- Standard limited four year extended compressor and one year limited parts and labor

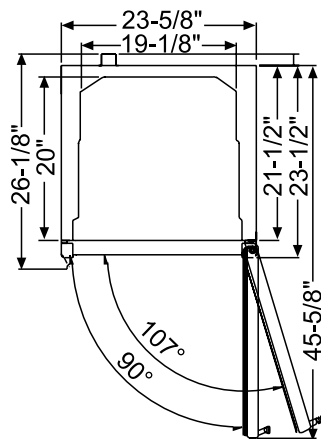


# BGR-14 SERIES

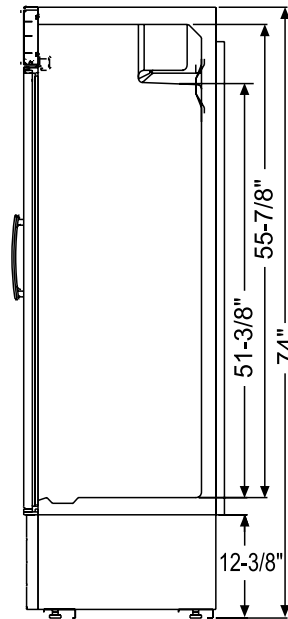
## BOTTOM MOUNTED GLASS DOOR REFRIGERATOR

### TECHNICAL SPECIFICATIONS

MODEL	DIMENSIONS (in.)			DIMENSIONS (mm)			VOLTS	AMPS	UNIT H.P.	NO. OF DOORS	CAP. CU. FT.	SHIP CU. FT.	SHIP WT. (LB/KG)
	L	D	H	L	D	H							
BGR-14	23 <sup>5</sup> / <sub>8</sub>	26 <sup>1</sup> / <sub>8</sub>	74	600	664	1880	115	6.3	1/4	1	12.3	32.9	200/91



PLAN VIEW



SIDE VIEW

### LISTINGS



California Energy Commission Certified

### HOOKUP

Via plug in, 5 foot long, flexible 18/3 cord with molded plug.



### BID SPECIFICATIONS

Item no. BGR-14.

Provide \_\_\_\_\_ ( ) Bottom Mounted Glass Door Refrigerator(s), Master-Bilt model no. BGR-14.

Refrigerator interior to be constructed of durable ABS sheets. Standard features will include: Seven white epoxy-coated, heavy-duty, welded wire shelves; foamed-in-place "low ODP" urethane insulation; an interior

fluorescent lamp and fluorescent lit promotional graphic panel. Refrigerator will also be provided with adjustable leveling legs and a condensate evaporator.

Refrigerator door will be constructed with double pane glass with thermal insulating film. Door will also be auto-closing with a hold-open feature and replaceable gaskets.

The refrigeration system will be self-con-

tained, factory tested and bottom mounted. The system will also slide-out for easy access. Refrigerant type will be R-134a. Temperature range will be 34° to 41°F (1° to 5°C).

Refrigerator to have standard limited four year extended compressor warranty and one year limited parts and labor warranty.

Freezer to be UL, C-UL and NSF listed also California Energy Commission certified.

**NOTE:** Cabinet designed for optimum performance in air-conditioned area at 75°F ambient and 55% relative humidity. All specifications subject to change without notice.



908 Highway 15 North • New Albany, MS 38652  
PHONE: 800-647-1284 or 662-534-9061 • FAX: 800-232-3966 or 662-534-6049 • www.master-bilt.com



## Free Manuals Download Website

<http://myh66.com>

<http://usermanuals.us>

<http://www.somanuals.com>

<http://www.4manuals.cc>

<http://www.manual-lib.com>

<http://www.404manual.com>

<http://www.luxmanual.com>

<http://aubethermostatmanual.com>

Golf course search by state

<http://golfingnear.com>

Email search by domain

<http://emailbydomain.com>

Auto manuals search

<http://auto.somanuals.com>

TV manuals search

<http://tv.somanuals.com>