

MASTER[®]

PORTABLE FORCED AIR HEATERS OWNER'S MANUAL

APPAREILS DE CHAUFFAGE INDIVIDUELS À AIR FORCÉ MANUEL D'UTILISATION

VERPLAATSBARE HETELUCHTKANONNEN GEBRUIKERSHANDLEIDING

TRAGBARE HOCHDRUCK- HEISLUFTTURBINEN BEDIENUNGSANLEITUNG

Heater Sizes: 35,000 70,000 100,000 150,000 Btu/Hr

Production de la chaleur: 8 800, 17 500, 25 000, et 38 000 Kcal/h

Vermogen: 35.000, 70.000, 100.000 en 150.000 Btu/uur

Heizgerät-Größen: 35.000, 70.000, 100.000, 150.000 BTU/Std.

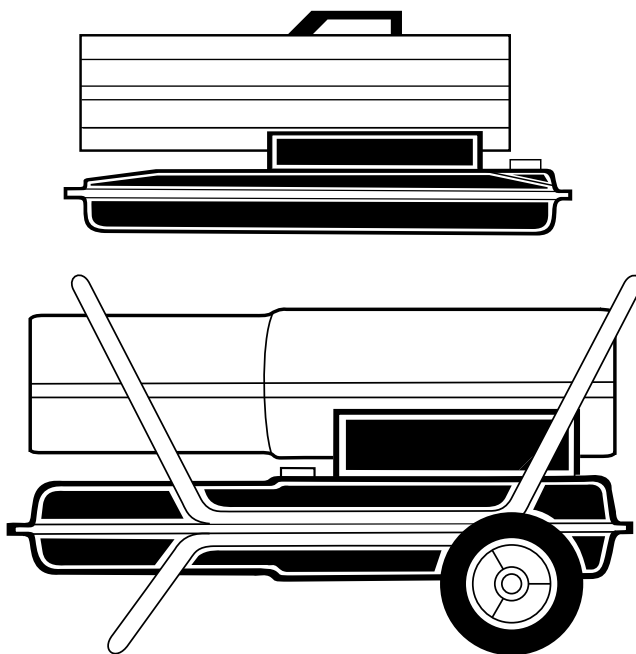
**Models - Modèles - Modellen - Modelle:
B35CEH, B70CEH, B100CEH, B150CEH**



MASTER[®]

PORTABLE FORCED AIR HEATERS

OWNER'S MANUAL



Heater Sizes: 35,000 70,000 100,000 150,000 Btu/Hr
Models: B35CEH, B70CEH, B100CEH, and B150CEH

IMPORTANT: Read and understand this manual before assembling, starting or servicing heater. Improper use of heater can cause serious injury. Keep this manual for future reference.




PORTABLE FORCED AIR HEATERS

SAFETY INFORMATION

WARNINGS

IMPORTANT: Read this owner's manual carefully and completely before trying to assemble, operate, or service this heater. Improper use of this heater can cause serious injury or death from burns, fire, explosion, electrical shock, and carbon monoxide poisoning.

 DANGER: Carbon monoxide poisoning may lead to death!

Carbon Monoxide Poisoning: Early signs of carbon monoxide poisoning resemble the flu, with headaches, dizziness, and/or nausea. If you have these signs, the heater may not be working properly. **Get fresh air at once!** Have heater serviced. Some people are more affected by carbon monoxide than others. These include pregnant women, persons with heart or lung disease or anemia, those under the influence of alcohol, and those at high altitudes.

Make certain you read and understand all warnings. Keep this manual for reference. It is your guide to safe and proper operation of this heater.

- Use only kerosene or No. 1 fuel oil to avoid risk of fire or explosion. Never use gasoline, naphtha, paint thinners, alcohol, or other highly flammable fuels.
- Fueling
 - a) Personnel involved with fueling shall be qualified and thoroughly familiar with the manufacturer's instructions and applicable regulations regarding the safe fueling of heating units.
 - b) Only the type of fuel specified on the heater's data plate shall be used.
 - c) All flame, including the pilot light, if any, shall be extinguished and the heater allowed to cool, prior to fueling.
 - d) During fueling, all fuel lines and fuel-line connections shall be inspected for leaks. Any leaks shall be repaired prior to returning the heater to service.
 - e) At no time shall more than one day's supply of heater fuel be stored inside a building in the vicinity of the heater. Bulk fuel storage shall be outside the structure.
 - f) All fuel storage shall be located a minimum of 762cm (25 feet) from heaters, torches, welding equipment, and similar sources of ignition (exception: the fuel reservoir integral with the heater unit).
 - g) Whenever possible, fuel storage shall be confined to areas where floor penetrations do not permit fuel to drip onto or be ignited by a fire at lower elevation.
 - h) Fuel storage shall be in accordance with the authority having jurisdiction.
- Never use heater where gasoline, paint thinner, or other highly flammable vapors are present.
- Follow all local ordinances and codes when using heater.
- Heaters used in the vicinity of tarpaulins, canvas, or similar enclosure materials shall be located a safe distance from such materials. The recommended minimum safe distance is 304.8cm (10 feet). It is further recommended that these enclosure materials be of a fire retardant nature. These enclosure materials shall be securely fastened to prevent them from igniting or from upsetting the heater due to wind action.
- Use only in well-vented areas. Before using heater, provide at least a 2800 square cm (three-square-foot) opening of fresh, outside air for each 30 kw (100,000 Btu/Hr) of rating.
- Use only in places free of flammable vapors or high dust content.
- Use only the electrical voltage and frequency specified on model plate.
- Use only a three-prong, grounded extension cord.
- Minimum heater clearances from combustibles:
Outlet: 250 cm (8 Ft.)
Sides, Top, and Rear: 125 cm (4 Ft.)
- Locate heater on a stable and level surface if heater is hot or running or a fire may occur.
- When moving or storing heater, keep heater in a level position or fuel spillage may occur.
- Keep children and animals away from heater.
- Unplug heater when not in use.
- When used with thermostat, heater may start anytime.
- Never use heater in living or sleeping areas.
- Never block air inlet (rear) or air outlet (front) of heater.
- Never move, handle, refuel, or service a hot, operating, or plugged-in heater.
- Never attach duct work to front or rear of heater.

OWNER'S MANUAL

PRODUCT IDENTIFICATION

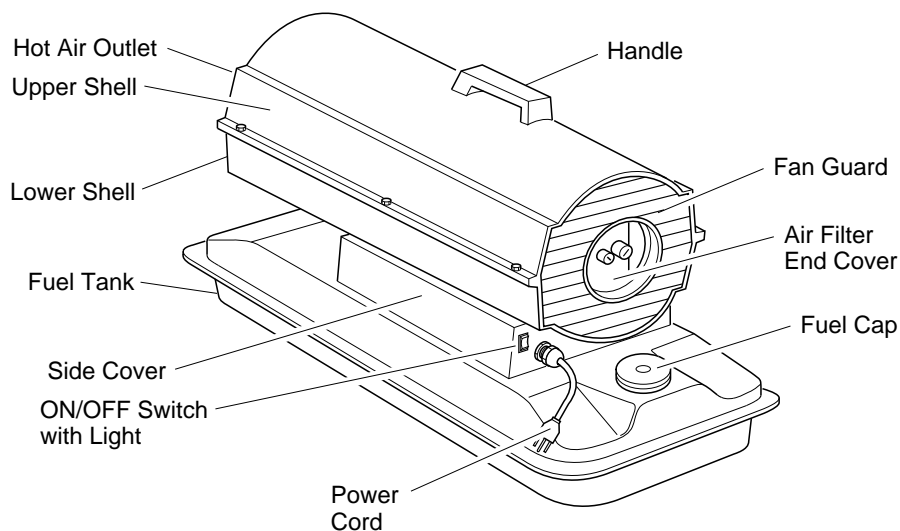


Figure 1 - B35CEH and B70CEH Models

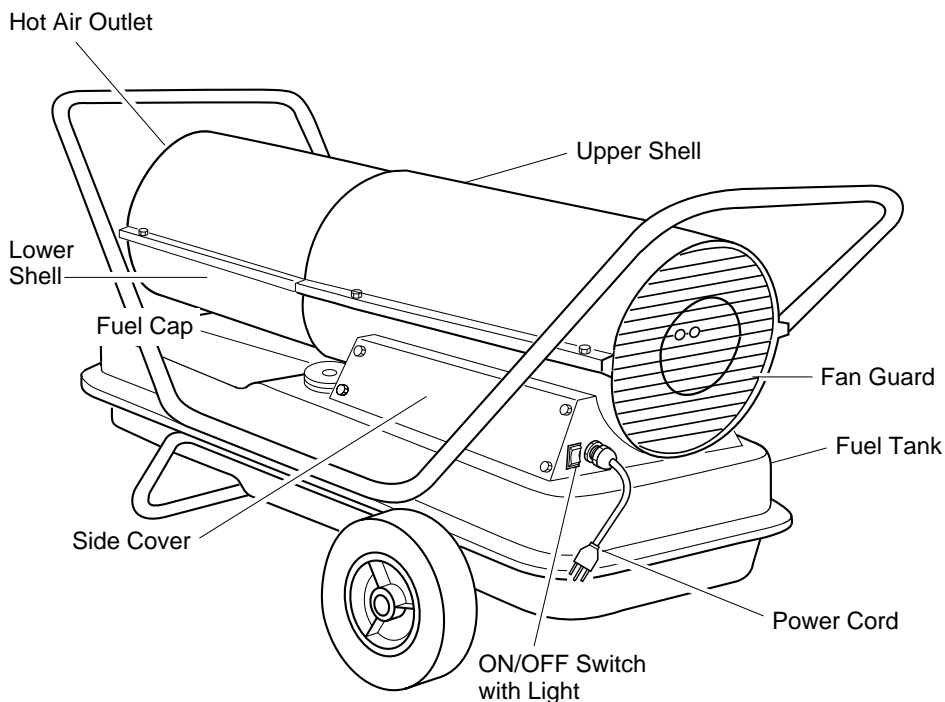


Figure 2 - B100CEH and B150CEH Models

UNPACKING

1. Remove all packing items applied to heater for shipment.
2. Remove all items from carton.
3. Check items for any shipping damage. If heater is damaged, promptly inform dealer where you bought heater.

FUELS

⚠ WARNING: Use only kerosene or No. 1 fuel oil to avoid risk of fire or explosion. Never use gasoline, naphtha, paint thinners, alcohol or other highly flammable fuels.

Do not use heavy fuels such as No. 2 fuel oil or No. 2 Diesel. Using heavy fuels will result in:

- clogged fuel filter and nozzle
- use of non-toxic anti-icer in fuel during very cold weather

IMPORTANT: Use a KEROSENE ONLY container. Be sure storage container is clean. Foreign matter such as rust, dirt, or water will cause the flame-out control to shut down heater. Foreign matter may also require you to clean fuel system often.

PORTABLE FORCED AIR HEATERS

ASSEMBLY

(FOR B100CEH AND B150CEH MODELS ONLY)

These models are furnished with wheels and handles. Wheels, handles, and the mounting hardware are found in the shipping carton.

Tools Needed

- Medium Phillips Screwdriver
- 3/8" Open or Adjustable Wrench
- Hammer

1. Slide axle through wheel support frame. Install wheels on axle.

IMPORTANT: When installing wheels, point extended hub of wheels toward wheel support frame (see Figure 3).

2. Place cap nuts on axle ends. Gently tap with hammer to secure.
3. Place heater on wheel support frame. Make sure air inlet end (rear) of heater is over wheels. Line up holes on fuel tank flange with holes on wheel support frame.
4. Place front handle and rear handle on top of fuel tank flange. Insert screws through handles, fuel tank flange, and wheel support frame. Attach nut finger tight after each screw is inserted.
5. After all screws are inserted, tighten nuts firmly.

VENTILATION

⚠ WARNING: Follow the minimum fresh, outside air ventilation requirements. If proper fresh, outside air ventilation is not provided, carbon monoxide poisoning can occur. Provide proper fresh, outside air ventilation before running heater.

Provide a fresh air opening of at least 2800 square cm (three square feet) for each 30kw (100,000 Btu/Hr) rating. Provide extra fresh air if more heaters are being used.

Example: A 44kw (150,000 Btu/Hr) heater requires one of the following:

- a two-car garage door [4.9 meter (16 feet) opening] raised 9 cm (3.5 inches)
- a single-car garage door [2.75 meter (9 feet) opening] raised 15.25 cm (6 inches)
- two, 76 cm (30 inch) windows raised 28 cm (11 inches)

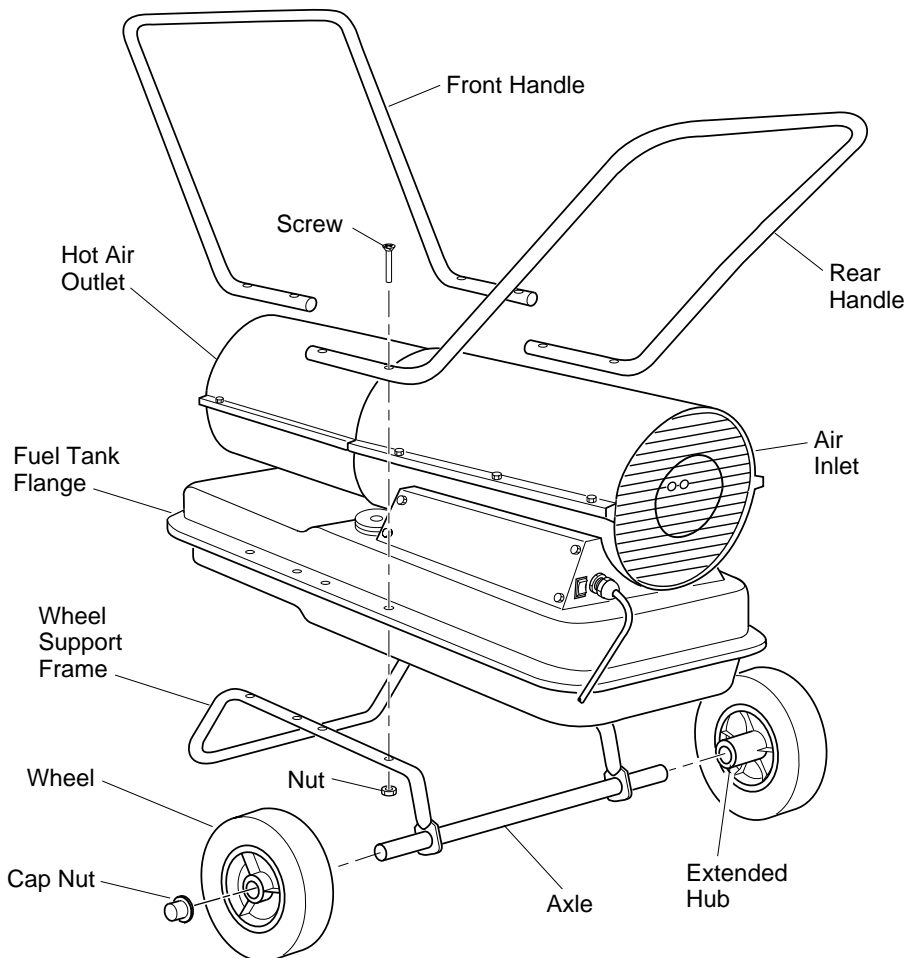


Figure 3 - Wheel and Handle Assembly

OWNER'S MANUAL

THEORY OF OPERATION

The Fuel System: The air pump forces air through the air line. The air is then pushed through the burner head nozzle. This air causes fuel to lift from the tank. A fine mist of fuel is sprayed into the combustion chamber.

The Air System: The motor turns the fan. The fan pushes air into and around the combustion chamber. This air is heated and provides a stream of clean, hot air.

The Ignition System: The ignition control assembly provides power to the ignitor. This ignites the fuel/air mixture in the combustion chamber.

The Flame-Out Control System: This system causes the heater to shut down if the flame goes out.

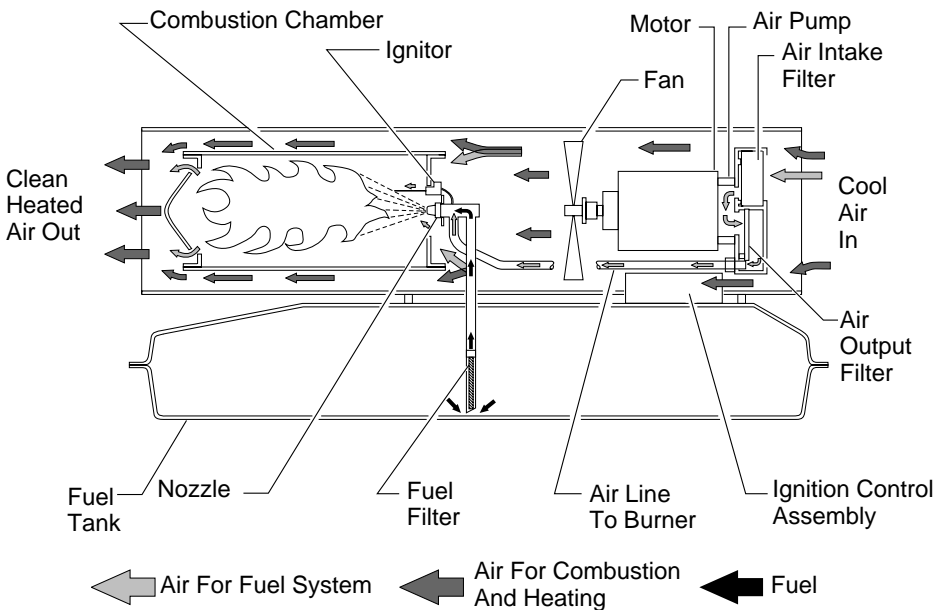


Figure 4 - Cross Section Operational View

OPERATION

⚠ WARNING: Review and understand the warnings in the *Safety Information* section, page 2. They are needed to safely operate this heater. Follow all local codes when using this heater.

TO START HEATER

1. Follow all ventilation and safety information.
2. Fill fuel tank with kerosene or No. 1 fuel oil.
3. Attach fuel cap.
4. Plug power cord of heater into standard 230 volt/50 hertz, grounded (earthed) outlet. Use an extension cord if needed. Use only a three-prong, grounded (earthed) extension cord.

EXTENSION CORD WIRE SIZE REQUIREMENTS

Up to 30.5 meters (100 feet) long, use 1.0 mm² (16 AWG) conductor

30.6 to 61 meters (101 to 200 feet) long, use 1.5 mm² (14 AWG) conductor

Push ON/OFF switch to ON (I) position and heater should start in 5 seconds. If heater does not start, see *Troubleshooting* (page 7).

TO STOP HEATER

Push ON/OFF switch to OFF (O) position.

TO RESET HEATER

1. Push ON/OFF switch to OFF (O) position and wait 10 seconds (2 minutes if heater has been running).
2. Repeat steps under *To Start Heater*.

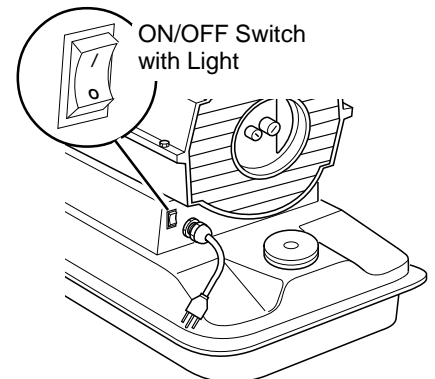


Figure 5 - ON/OFF Switch, B35CEH and B70CEH Models

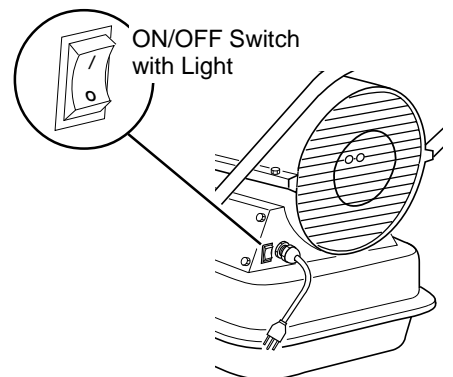


Figure 6 - ON/OFF Switch, B100CEH and B150CEH Models

PORTABLE FORCED AIR HEATERS

STORING, TRANSPORTING, OR SHIPPING

Note: If shipping, transport companies require fuel tanks to be empty.

1. Drain fuel tank.
Note: Some models have drain plug on underside of fuel tank. If so, remove drain plug to drain all fuel. If heater does not have drain plug, drain fuel through fuel cap opening. Be sure all fuel is removed.
2. Replace drain plug if provided.
3. If any debris is noted in old fuel, add 1 or 2 quarts of clean kerosene to tank, stir, and drain again. This will prevent excess debris from clogging filters during future use.
4. Replace fuel cap or drain plug. Properly dispose of old and dirty fuel. Check with local automotive service stations that recycle oil.
5. If storing, store heater in dry place. Make sure storage place is free of dust and corrosive fumes.

IMPORTANT: Do not store kerosene over summer months for use during next heating season. Using old fuel could damage heater.

PREVENTATIVE MAINTENANCE SCHEDULE

Item	How Often	How To
Fuel tank	Flush every 150-200 hours of operation or as needed	See <i>Storing, Transporting, or Shipping</i>
Air output and lint filters	Replace every 500 hours of operation or once a year	See <i>Air Output, Air Intake, and Lint Filters</i> , page 10
Air intake filter	Wash and dry with soap and water every 500 hours of operation or as needed	See <i>Air Output, Air Intake, and Lint Filters</i> , page 10
Fuel filter	Clean twice a heating season or as needed	See <i>Fuel Filter</i> , page 8
Ignitor	No maintenance required	
Fan blades	Clean every season or as needed	See <i>Fan</i> , page 13
Motor	Not required/permanently lubricated	

⚠ WARNING: Never service heater while it is plugged in, operating, or hot. Severe burns and electrical shock can occur.

TROUBLESHOOTING

⚠ WARNING: Never service heater while it is plugged in, operating, or hot. Severe burns and electrical shock can occur.

HEATER WITH FUSED OR NON-FUSED IGNITION CONTROL ASSEMBLY

FAULT CONDITION	POSSIBLE CAUSE	REMEDY
Motor does not start five seconds after heater is plugged in (ON/OFF switch light remains on)	1. Bad electrical connection between motor and ignition control assembly or ignition control assembly and power cord	1. Check all electrical connections. See <i>Wiring Diagram</i> , page 23
	2. Binding pump rotor	2. If fan does not turn freely, see <i>Pump Rotor</i> , page 12
	3. Defective ignition control assembly	3. Replace ignition control assembly
	4. Defective motor	4. Replace motor

⚠ WARNING: High voltage!

OWNER'S MANUAL

TROUBLESHOOTING

Continued

FAULT CONDITION	POSSIBLE CAUSE	REMEDY
Motor starts and runs but heater does not ignite (ON/OFF switch light remains on)	<ol style="list-style-type: none">1. No fuel in tank2. Pump pressure incorrect3. Dirty fuel filter4. Obstruction in nozzle assembly5. Water in fuel tank	<ol style="list-style-type: none">1. Fill tank with kerosene2. See <i>Pump Pressure Adjustment</i>, page 103. See <i>Fuel Filter</i>, page 84. See <i>Nozzle Assembly</i>, page 115. Drain and flush fuel tank with clean kerosene. See <i>Storing, Transporting, or Shipping</i>, page 6

 **WARNING: High voltage!**

	<ol style="list-style-type: none">6. Bad electrical connection between ignitor and ignition control assembly7. Defective ignitor8. Defective ignition control assembly	<ol style="list-style-type: none">6. Check electrical connections. See <i>Wiring Diagram</i>, page 237. Replace ignitor, see page 98. Replace ignition control assembly
--	--	---

Heater ignites but ignition control assembly shuts heater off after a short period of time (ON/OFF switch light remains on)	<ol style="list-style-type: none">1. Pump pressure incorrect2. Dirty air intake, air output, and/or lint filter3. Dirty fuel filter4. Obstruction in nozzle assembly5. Photocell assembly not properly installed (not seeing the flame)	<ol style="list-style-type: none">1. See <i>Pump Pressure Adjustment</i>, page 102. See <i>Air Output, Air Intake, and Lint Filters</i>, page 103. See <i>Fuel Filter</i>, page 84. See <i>Nozzle Assembly</i>, page 115. Make sure photocell boot is properly seated in bracket
---	---	--

 **WARNING: High voltage!**

	<ol style="list-style-type: none">6. Dirty photocell lens7. Bad electrical connection between photocell and ignition control assembly8. Defective photocell9. Defective ignition control assembly	<ol style="list-style-type: none">6. Clean photocell lens7. Check electrical connections. See <i>Wiring Diagram</i>, page 238. Replace photocell9. Replace ignition control assembly
--	--	---

HEATER WITH NON-FUSED IGNITION CONTROL ASSEMBLY ONLY

ATTENTION: The ignition control has built-in protection against current overloads.

Use the light in the ON/OFF switch to troubleshoot the fault condition.

FAULT CONDITION	POSSIBLE CAUSE	REMEDY
ON/OFF switch light does not come on when switch is turned to the ON (I) position and heater does not start	<ol style="list-style-type: none">1. No power to heater	<ol style="list-style-type: none">1. Verify that power cord is plugged into an electrical outlet and that the circuit breaker in the electrical panel is reset

 **WARNING: High voltage!**

	<ol style="list-style-type: none">2. Bad electrical connections3. Electrical short in ignitor	<ol style="list-style-type: none">2. Check electrical wiring and connections. See <i>Wiring Diagram</i>, page 233. Check ignitor wiring. If no problems are found, replace ignitor (see page 9)
--	--	--

ON/OFF switch light comes on when switch is turned to the ON (I) Position but turns off after five seconds	<ol style="list-style-type: none">1. Electrical short in motor	<ol style="list-style-type: none">1. Check motor wiring. If no problems are found, replace motor
--	--	--

 **WARNING: High voltage!**

PORTABLE FORCED AIR HEATERS

SERVICE PROCEDURES

⚠ WARNING: Never service heater while it is plugged in, operating, or hot. Severe burns and electrical shock can occur.

UPPER SHELL REMOVAL

1. Remove screws and lock washers along each side of heater using 5/16" nut-driver. These screws attach upper and lower shells together.
2. Lift upper shell off.
3. Remove fan guard.

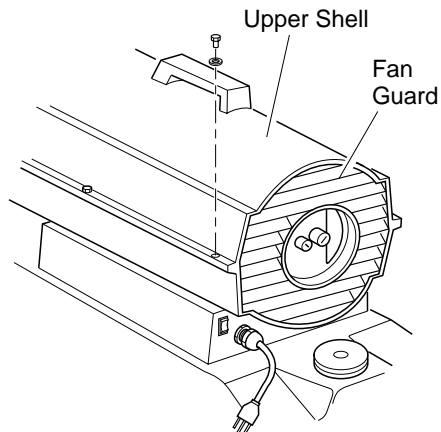


Figure 7 - Upper Shell Removal, B35CEH and B70CEH Models

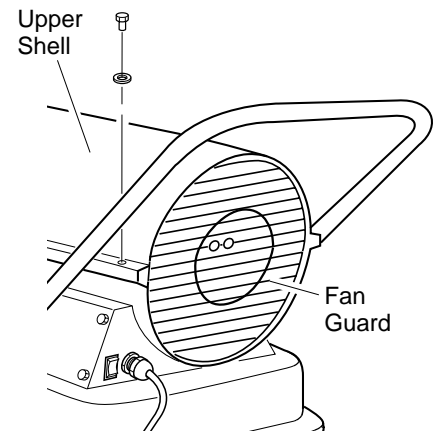


Figure 8 - Upper Shell Removal, B100CEH and B150CEH Models

FUEL FILTER (B35CEH and B70CEH Models)

1. Remove side cover screws using 5/16" nut-driver.
2. Remove side cover.
3. Pull rubber fuel line off fuel filter neck.
4. Carefully pry bushing and fuel filter out of fuel tank.
5. Wash fuel filter with clean fuel and replace in tank.
6. Attach rubber fuel line to fuel filter neck.
7. Replace side cover.

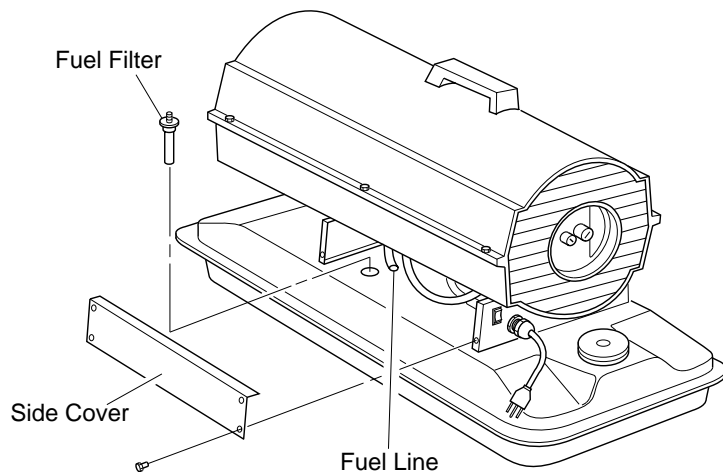


Figure 9 - Fuel Filter Removal, B35CEH and B70CEH Models

FUEL FILTER (B100CEH and B150CEH Models)

1. Remove side cover screws using 5/16" nut-driver.
2. Remove side cover.
3. Pull upper fuel line off fuel filter neck.
4. Carefully pry bushing, lower fuel line, and fuel filter out of fuel tank.
5. Wash fuel filter with clean fuel and replace in tank.
6. Attach upper fuel line to fuel filter neck.
7. Replace side cover.

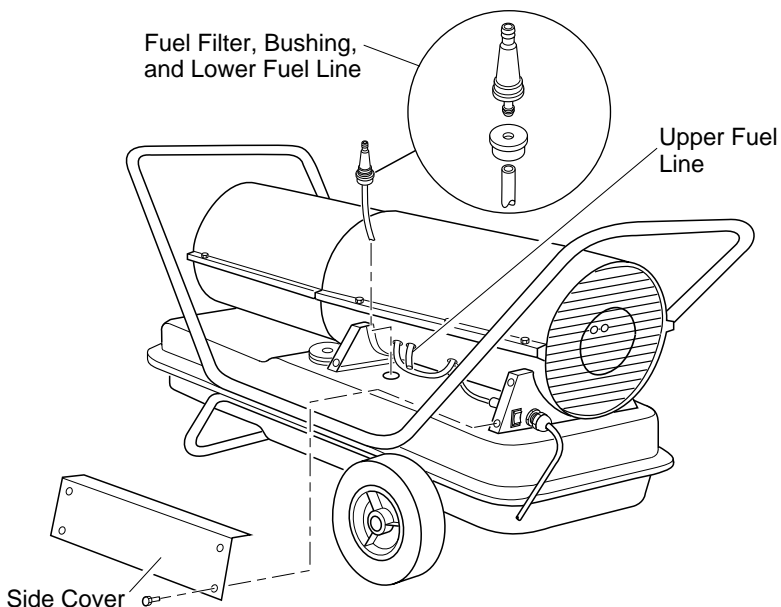


Figure 10 - Fuel Filter Removal, B100CEH and B150CEH Models

SERVICE PROCEDURES

Continued

IGNITOR

1. Remove upper shell and fan guard (see page 8).
2. Remove fan (see page 13).
3. Remove 4 side cover screws with a 5/16" nut driver. Remove side cover (see Figure 9 or 10, page 8).
4. Disconnect ignitor wires (black) from ignition control assembly (see Figure 11). Pull the ignitor wires up through the hole in the lower shell.
5. Disconnect fuel line hose and air line hose. Remove photocell from photocell bracket (see Figure 11).

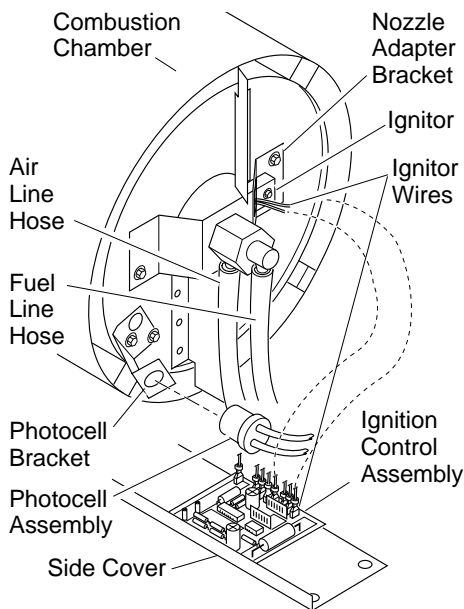


Figure 11 - Disconnecting Ignitor Wires from Ignition Control Assembly

6. Remove combustion chamber. Stand combustion chamber on end with nozzle adapter bracket on top (see Figure 12).
7. Remove ignitor screw with a 1/4" nut driver. Carefully remove ignitor from nozzle adapter bracket.

CAUTION: Do not bend or strike ignitor element. Handle with care.

8. Carefully remove replacement ignitor from styrofoam packing.
9. Carefully guide ignitor into opening in nozzle adapter bracket. Do not strike ignitor element. Attach ignitor to nozzle adapter bracket with screw using a 1/4" nut driver (see Figure 12). Torque .90 to 1.69 N-m (8 to 15 in-lbs) Do not over torque.

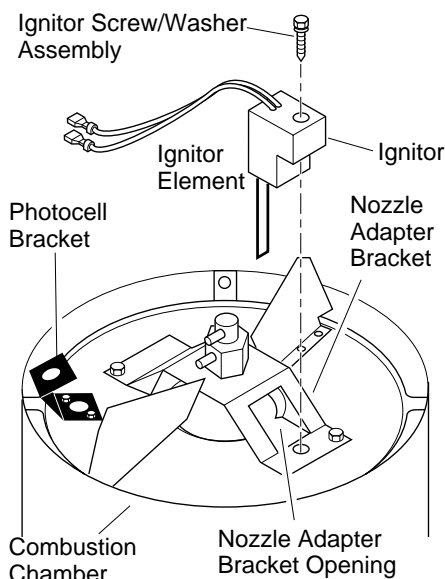


Figure 12 - Ignitor Replacement

10. Replace combustion chamber.
11. Route the ignitor wires back down through the hole in the lower shell. Connect wires to the ignition control assembly.
12. Replace side cover (see Figure 9 or 10, page 8).
13. Connect and route fuel line hose and air line hose to burner head. See *Fuel and Air Line Replacement and Proper Routing*, page 11.
14. Replace photocell in photocell bracket. Route wires as shown in either Figure 17, 18, or 19, page 11.
15. Replace fan (see page 13).
16. Replace fan guard and upper shell (see page 8).

PORTABLE FORCED AIR HEATERS

SERVICE PROCEDURES

Continued

AIR OUTPUT, AIR INTAKE, AND LINT FILTERS

1. Remove upper shell (see page 8).
2. Remove filter end cover screws using 5/16" nut-driver.
3. Remove filter end cover.
4. Replace air output and lint filters.
5. Wash or replace air intake filter (see *Preventative Maintenance Schedule*, page 6).
6. Replace filter end cover.
7. Replace fan guard and upper shell.

IMPORTANT: Do not oil filters

PUMP PRESSURE ADJUSTMENT

1. Remove pressure gauge plug from filter end cover.
2. Install accessory pressure gauge (part number HA1180).
3. Start heater (see *Operation*, page 5). Allow motor to reach full speed.
4. Adjust pressure. Turn relief valve to right to increase pressure. Turn relief valve to left to decrease pressure. See specifications below for correct pressure for each model.
5. Remove pressure gauge. Replace pressure gauge plug in filter end cover.

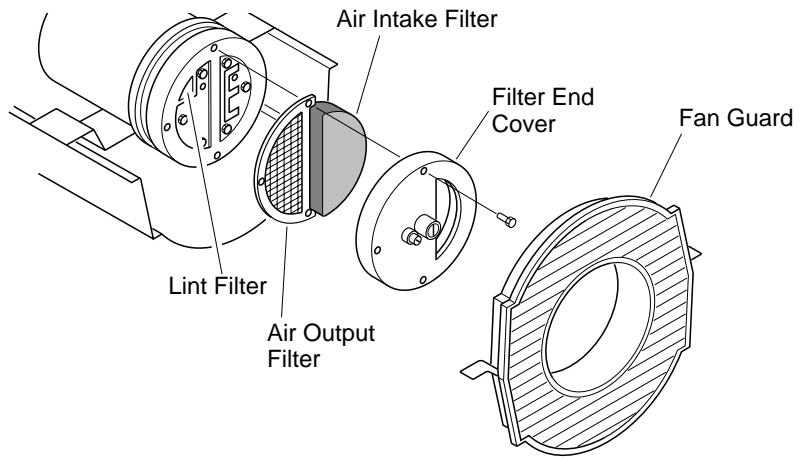


Figure 13 - Air Output, Air Intake, and Lint Filters, B35CEH and B70CEH Models

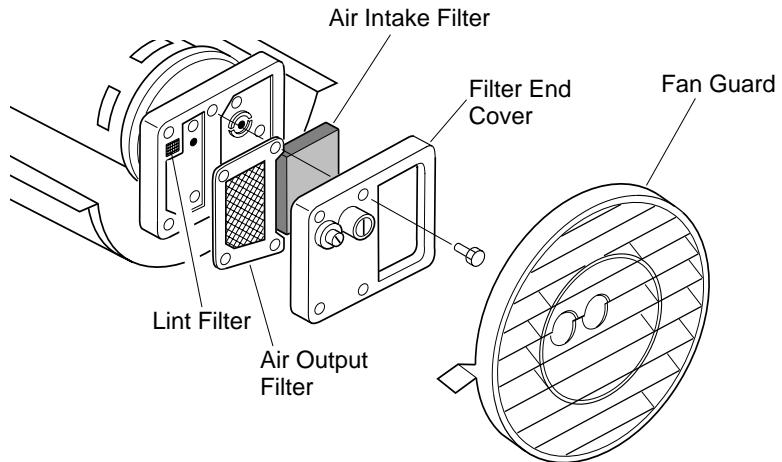


Figure 14 - Air Output, Air Intake, and Lint Filters, B100CEH and B150CEH Models

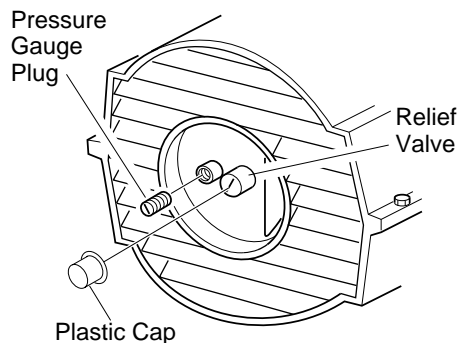


Figure 15 - Pressure Gauge Plug Removal (B35CEH and B70CEH Models Shown)

Model	Pump Pressure (Bar/PSI)
B35CEH	0.200/2.9
B70CEH	0.338/4.9
B100CEH	0.338/4.9
B150CEH	0.380/5.5

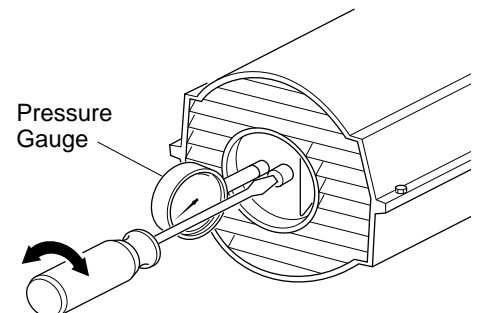


Figure 16 - Adjusting Pump Pressure

SERVICE PROCEDURES

Continued

NOZZLE ASSEMBLY

1. Remove upper shell (see page 8).
2. Remove fan (see page 13).
3. Remove fuel and air line hoses from nozzle assembly (see Figure 17, 18 or 19).
4. Turn nozzle assembly 1/4 turn to left and pull toward motor to remove (see Figure 20).
5. Place plastic hex-body into vise and lightly tighten.
6. Carefully remove nozzle from the nozzle adapter using 5/8" socket wrench (see Figure 21).
7. Blow compressed air through face of nozzle. This will free any dirt in nozzle area.
8. Inspect nozzle seal for damage.
9. Replace nozzle into nozzle adapter until nozzle seats. Tighten 1/3 turn more using 5/8" socket wrench 4.5 to 5.1 N-m (40 to 45 in-lbs). See Figure 21.
10. Attach nozzle assembly to burner strap.
11. Attach fuel and airline hoses to nozzle assembly. See *Fuel and Airline Replacement and Proper Routing*.
12. Replace fan (see page 13).
13. Replace fan guard and upper shell (see page 8).

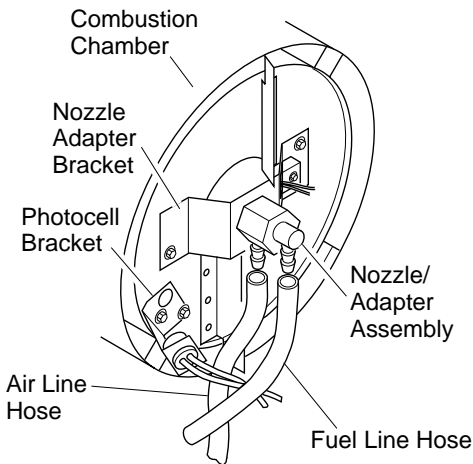


Figure 17 - Removing Air and Fuel Line Hoses (B35CEH and B70CEH Models Only)

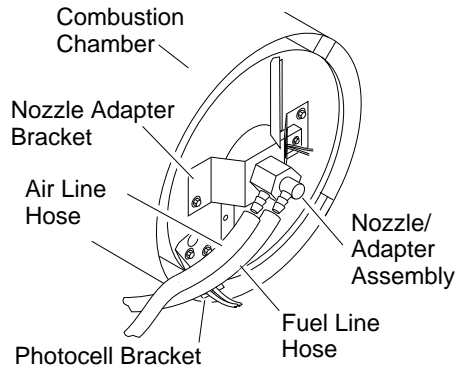


Figure 18 - Removing Air and Fuel Line Hoses (B100CEH Model Only)

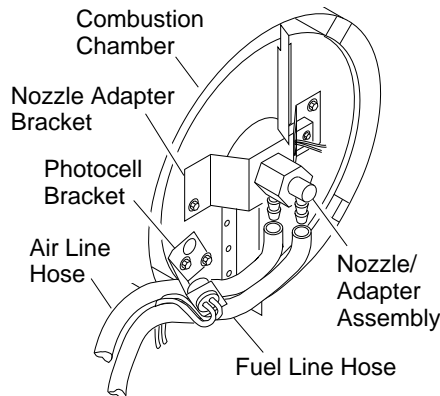


Figure 19 - Removing Air and Fuel Line Hoses (B150CEH Model Only)

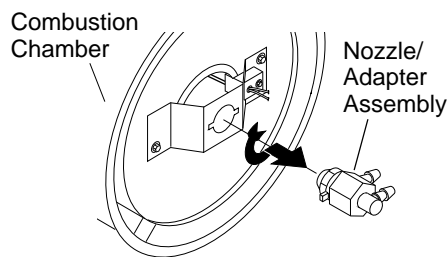


Figure 20 - Removing Nozzle/Adapter Assembly

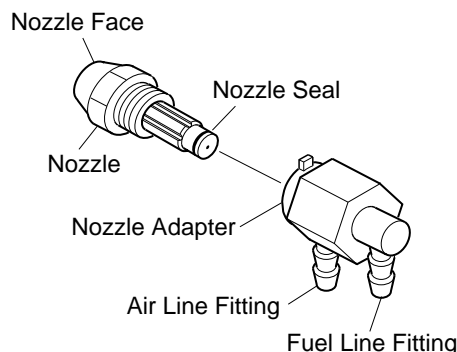


Figure 21 - Nozzle and Nozzle Adapter

FUEL AND AIR LINE REPLACEMENT AND PROPER ROUTING

1. Remove upper shell (see page 8).
2. Remove side cover screws using 5/16" nut driver.
3. Remove side cover.
4. Inspect fuel and air line hoses for cracks and/or holes. If fuel line hose is damaged, disconnect from nozzle adapter (see Figure 17, 18, or 19) and from fuel filter (see page 8). If air line hose is damaged, disconnect from nozzle adapter (see Figure 17, 18, or 19) and from barb fitting on pump end cover (see Figure 22).
5. Install new air and/or fuel line. Attach one end of air line hose to barb fitting on pump end cover (see Figure 22) and the other end to nozzle adapter (see Figure 17, 18, or 19). Attach one end of fuel line hose to fuel filter (see page 8) and the other end to nozzle adapter (see Figure 17, 18, or 19).

For B35CEH and B70CEH model heaters, route air and fuel lines approximately as shown in Figure 17.

Note: Hoses are not to be touching photocell bracket.

For B100CEH model heater, route air and fuel lines approximately as shown in Figure 18.

Note: Hoses are not to be touching photocell bracket.

For B150CEH model heater, route air and fuel lines approximately as shown in Figure 19.

Note: Hoses are not to be touching photocell bracket.

6. Replace side cover.
7. Replace upper shell and fan guard (see page 8).

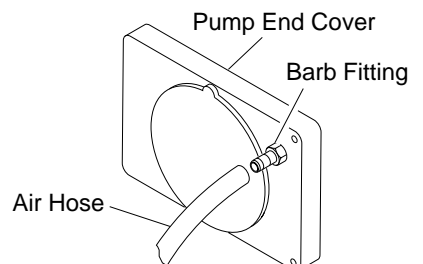


Figure 22 - Air Hose to Barb Fitting

Continued

PORTABLE FORCED AIR HEATERS

SERVICE PROCEDURES

Continued

PUMP ROTOR (Procedure if Rotor is Binding)

1. Remove upper shell (see page 8).
2. Remove filter end cover screws using 5/16" nut-driver.
3. Remove filter end cover and air filters.
4. Remove pump plate screws using 5/16" nut-driver.
5. Remove pump plate.
6. Remove rotor, insert, and blades.
7. Check for debris in pump. If debris is found, blow out with compressed air.
8. Install insert and rotor.
9. Check gap on rotor. Adjust to .076/.101 mm (.003"/.004") if needed (see Figure 25).

Note: Rotate rotor one full turn to ensure the gap is .076/.101 mm (.003"/.004") at tightest position. Adjust if needed.

10. Install blades, pump plate, air filters, and filter end cover.
11. Replace fan guard and upper shell.
12. Adjust pump pressure (see page 10).

Note: If rotor is still binding, proceed as follows.

13. Perform steps 1 through 6 above.
14. Place fine grade sandpaper (600 grit) on flat surface. Sand rotor lightly in "figure 8" motion four times (see Figure 26).
15. Reinstall insert and rotor.
16. Perform steps 10 through 12 above.

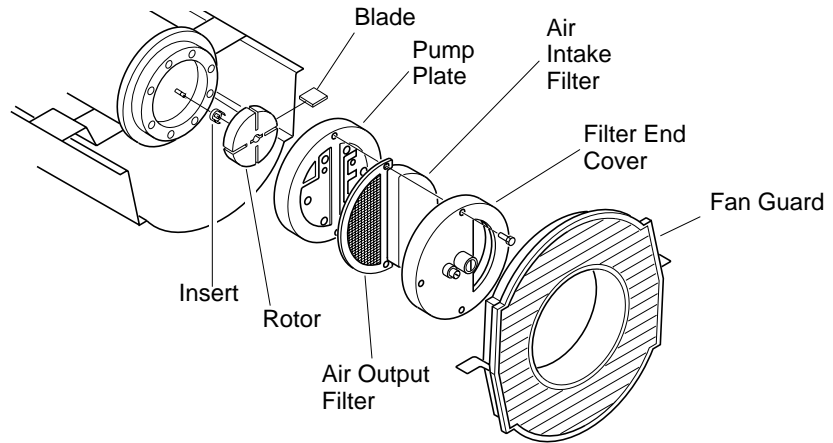


Figure 23 - Rotor Location, B35CEH and B70CEH Models

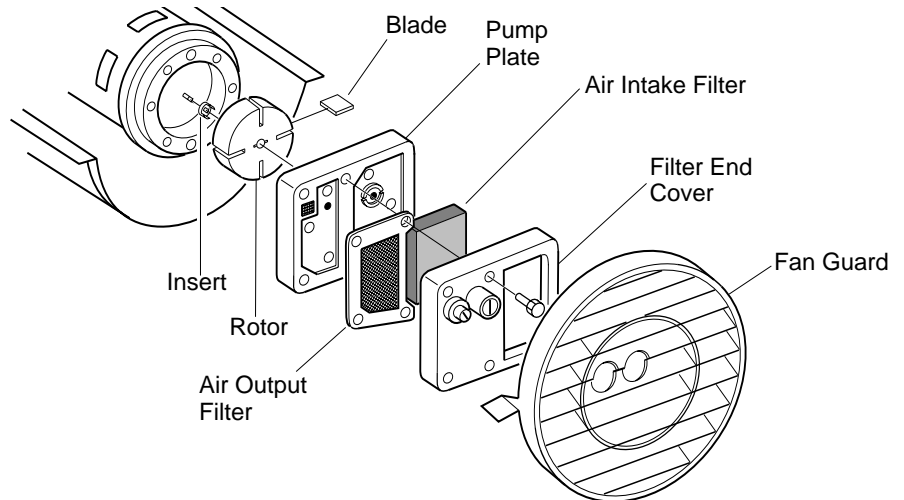


Figure 24 - Rotor Location, B100CEH and B150CEH Models

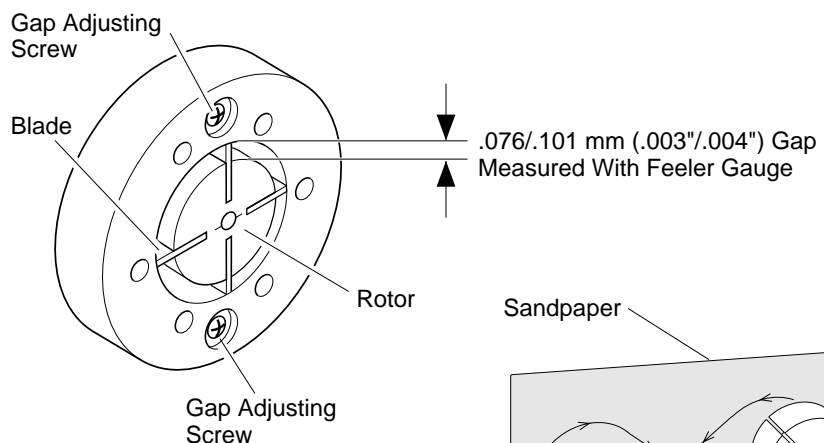


Figure 25 - Gap Adjusting Screw Locations

Figure 26 - Sanding Rotor

SERVICE PROCEDURES

Continued

FAN

IMPORTANT: Remove fan from motor shaft before removing motor from heater. The weight of the motor resting on the fan could damage the fan pitch.

1. Remove upper shell (see page 8).
2. Use 1/8" allen wrench to loosen setscrew which holds fan to motor shaft.
3. Slip fan off motor shaft.
4. Clean fan using a soft cloth moistened with kerosene or solvent.
5. Dry fan thoroughly.
6. Replace fan on motor shaft. Place fan hub flush with end of motor shaft (see Figure 28).
7. Place setscrew on flat of shaft. Tighten setscrew firmly 4.5 to 5.6 N-m (40 to 50 in-lbs).
8. Replace fan guard and upper shell.

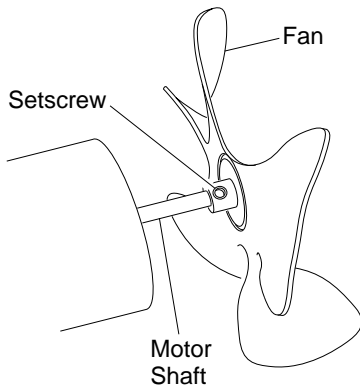


Figure 27 - Fan, Motor Shaft, and Setscrew Location

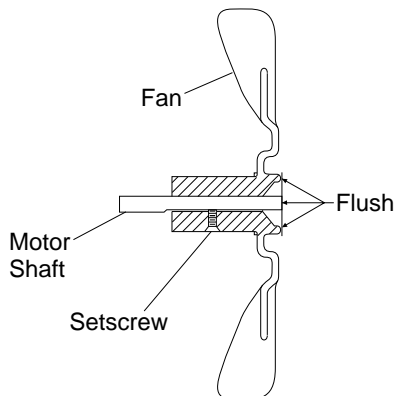


Figure 28 - Fan Cross Section

IGNITION CONTROL ASSEMBLY

WARNING: Unplug heater before servicing.

Remove Old Assembly

1. Using the 5/16" nut driver or socket wrench, remove the four side cover screws (see Figure 29).
2. Disconnect the nine wires from the ignition control assembly.
3. Using needle nose pliers, squeeze the tab on the printed circuit board support and lift up on the edge of the ignition control assembly (see Figure 30). Repeat this for the other four printed circuit board supports then remove the assembly.

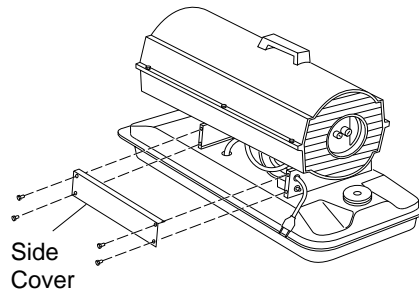


Figure 29 - Removing Cover

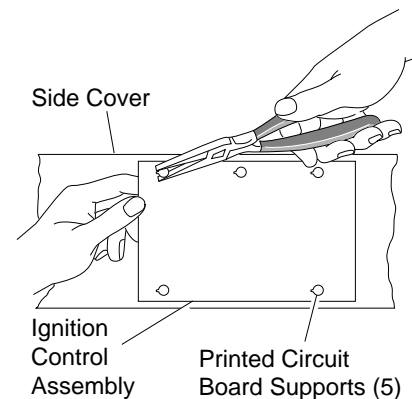


Figure 30 - Removing Circuit Board

Installing the New Assembly

CAUTION: Ignition control assembly contains electrostatic components. Handle the assembly by the edges of the printed circuit board. Do not touch any of the quick connect terminals or electronic components.

1. Align the five holes in the assembly with the five printed circuit board supports in the side cover.
2. Holding the assembly by the edges of the printed circuit board, apply downward pressure until all five tabs on the printed circuit board supports springlock into place. Pull up on assembly to verify this (see Figure 31).
3. Connect the nine wire leads to the ignition control assembly as shown in the wiring diagram on page 23.

CAUTION: Double check connections. Connecting ignition control assembly wrong could result in damage to the ignition control assembly and/or other components in the heater assembly.

4. Using the 5/16" nut driver or socket wrench reinstall side cover to heater. Tighten screws until snug. Do not over torque!

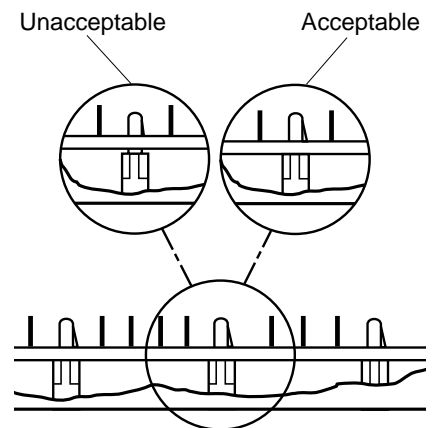


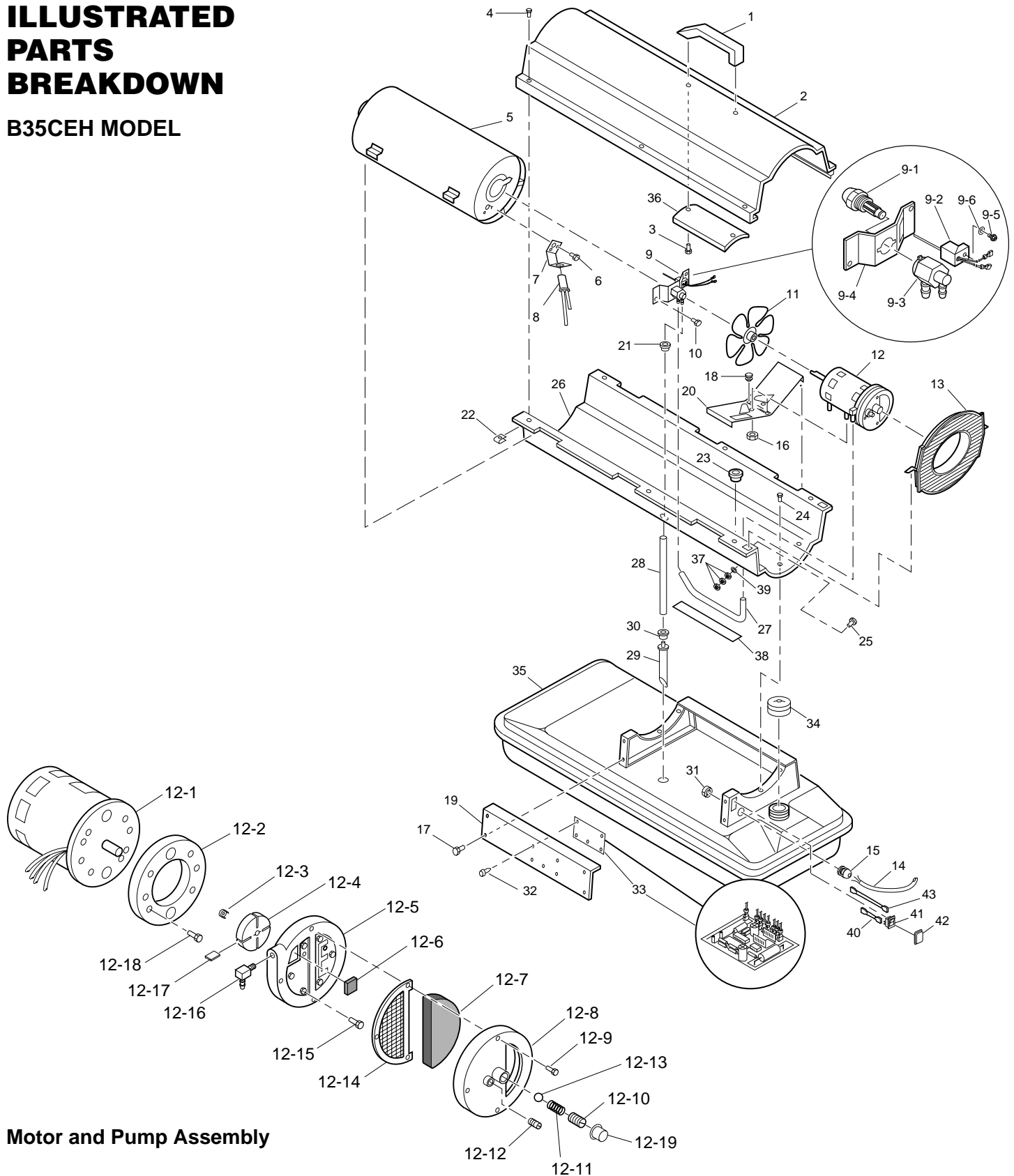
Figure 31 - Attaching Circuit Board to Tabs

MASTER

PORTABLE FORCED AIR HEATERS

ILLUSTRATED PARTS BREAKDOWN

B35CEH MODEL



Motor and Pump Assembly

OWNER'S MANUAL

PARTS LIST

B35CEH MODEL

This list contains replaceable parts used in your heater. When ordering parts, be sure to provide the correct model and serial numbers (from the model plate), then the part number and description of the desired part.

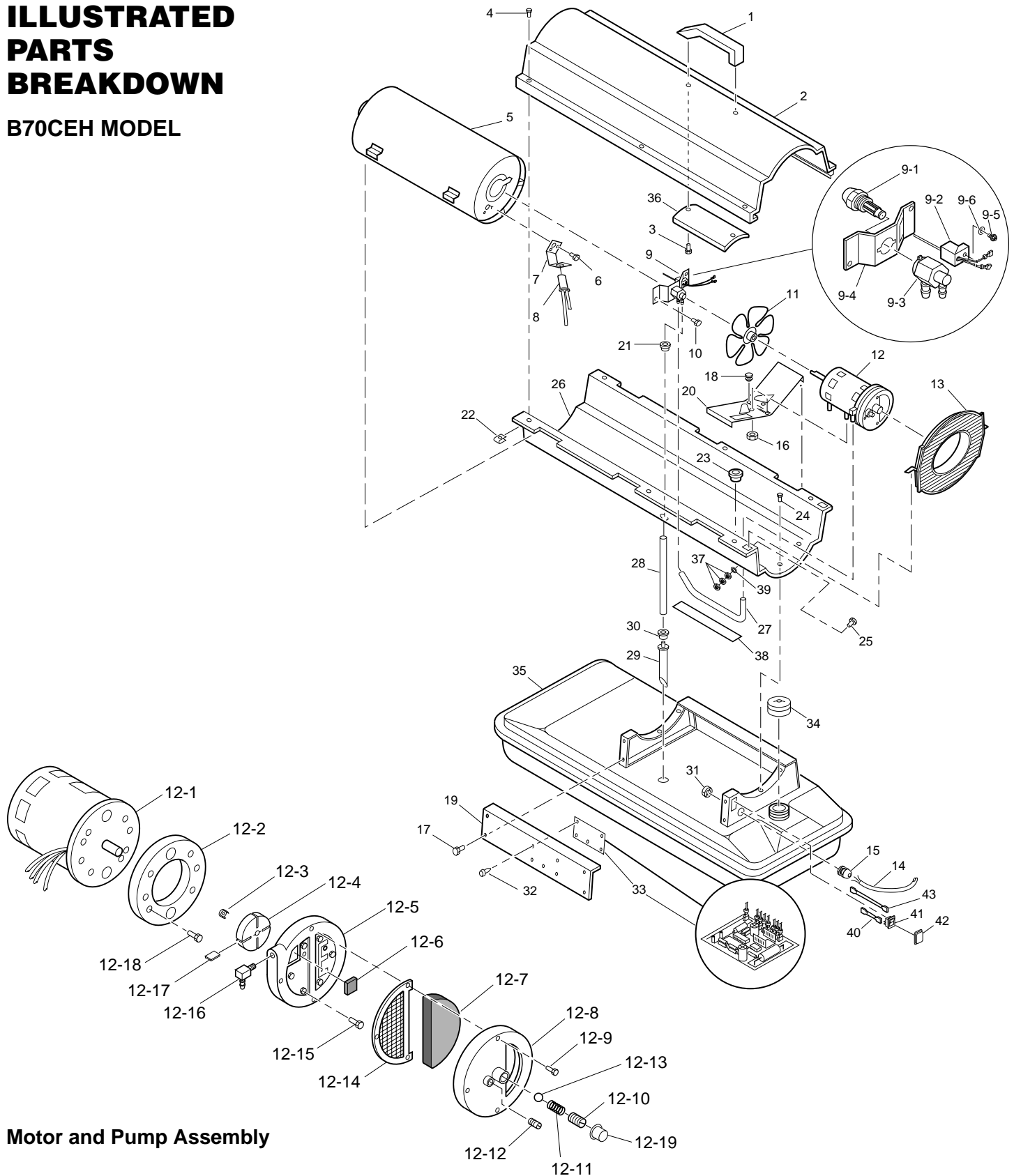
KEY NO.	PART NUMBER	DESCRIPTION	QTY.	KEY NO.	PART NUMBER	DESCRIPTION	QTY.
1	M51104-01	Handle	1	14	079673-07	Power Cord	1
2	098511-256	Upper Shell	1	15	M50400	Strain Relief Bushing	1
3	M11084-29	Screw, #10-16 x 3/4"	2	16	NTC-4C	Hex Lock Nut, 1/4-20	2
4	102432-01	Screw/Lockwasher, 1/2"	6	17	102431-01	Screw/Lockwasher, 1/2"	4
5	098512-63	Combustion Chamber	1	18	M50631	Rubber Bumper	2
6	M10908-2	Screw, #6-32 x 3/8"	2	19	097461-09	Side Cover	1
7	103154-03	Photocell Bracket	1	20	101205-01	Motor Bracket	1
8	M16656-24	Photocell Assembly	1	21	M30865-02	Bushing	1
9	**	Burner Strap Assembly	1	22	M11271-8	Clip Nut	6
9-1	HA3006	Nozzle Assembly	1	23	M50104-02	Bushing	1
9-2	102548-05	Ignitor Kit	1	24	102431-01	Screw/Lockwasher, 1/2"	6
9-3	104056-01	Nozzle Adapter	1	25	RF3-4B	Screw, #10-32 x 1/2"	1
9-4	102336-01	Nozzle Adapter Bracket	1	26	098511-237	Lower Shell	1
9-5	M10908-75	Screw, #6-32 x 7/8"	1	27	M50814-06	Rubber Airline	1
9-6	103347-01	Belleville Washer	1	28	M29652-05	Fuel Line	1
10	102431-01	Screw/Lockwasher, 1/2"	2	29	108060-01	Fuel Filter	1
11	103684-01	Fan	1	30	M10990-3	Rubber Bushing	1
12	**	Motor and Pump Assembly	1	31	102861-01	Nylon Locknut	1
12-1	102001-25	Motor	1	32	102349-01	PCB Support	5
12-2	079975-03	Pump Body	1	33	104068-04	Ignition Control Assembly	1
12-3	M22009	Insert	1	34	097702-01	Fuel Cap (Includes Gasket)	1
12-4	M22456-2	Rotor	1	35	108088-01	Fuel Tank	1
12-5	M29608	Pump End Cover	1	36	M51108-01	Shell Heat-Shield	1
12-6	M29632	Lint Filter	1	37	NPF-3B	Nut, #10-32	3
12-7	M29633	Intake Filter	1	38	097785-01	Vinyl Foam Gasket	1
12-8	M29609	Filter End Cover	1	39	WLE-3	Lockwasher, #10	1
12-9	M12461-31	Screw, #10-32 x 1"	3	40	079010-39	Wire Assembly (Brown)	1
12-10	M27694	Adjusting Screw	1	41	105793-01	ON/OFF Switch	1
12-11	M10993-1	Pressure Relief Spring	1	42	079919-01	Switch Cover	1
12-12	M22997	Plug	1	43	079010-40	Wire Assembly (White)	1
12-13	M8940	Steel Ball, 1/4" Diameter	1	PARTS AVAILABLE - NOT SHOWN			
12-14	M29612-01	Output Filter	1		HA2210	Filler Neck Screen	1
12-15	M12461-32	Screw #10-32 x 1 1/8"	6		103814-01	Wire Tie	1
12-16	103676-01	Nylon Elbow, 90°	1		097649-01	Tradename Decal	2
12-17	M8643-2	Blade	4		106013-01	Decal Package	1
12-18	FHPF3-6C	Screw, #10-32 x 3/4"	2		105880-01	Ignition Control Assembly Fuse	1
12-19	105780-01	Plastic Cap	1				
13	M51105-01	Fan Guard	1				

** Not available as an assembly; order parts separately

PORTABLE FORCED AIR HEATERS

ILLUSTRATED PARTS BREAKDOWN

B70CEH MODEL



Motor and Pump Assembly

OWNER'S MANUAL

PARTS LIST

B70CEH MODEL

This list contains replaceable parts used in your heater. When ordering parts, be sure to provide the correct model and serial numbers (from the model plate), then the part number and description of the desired part.

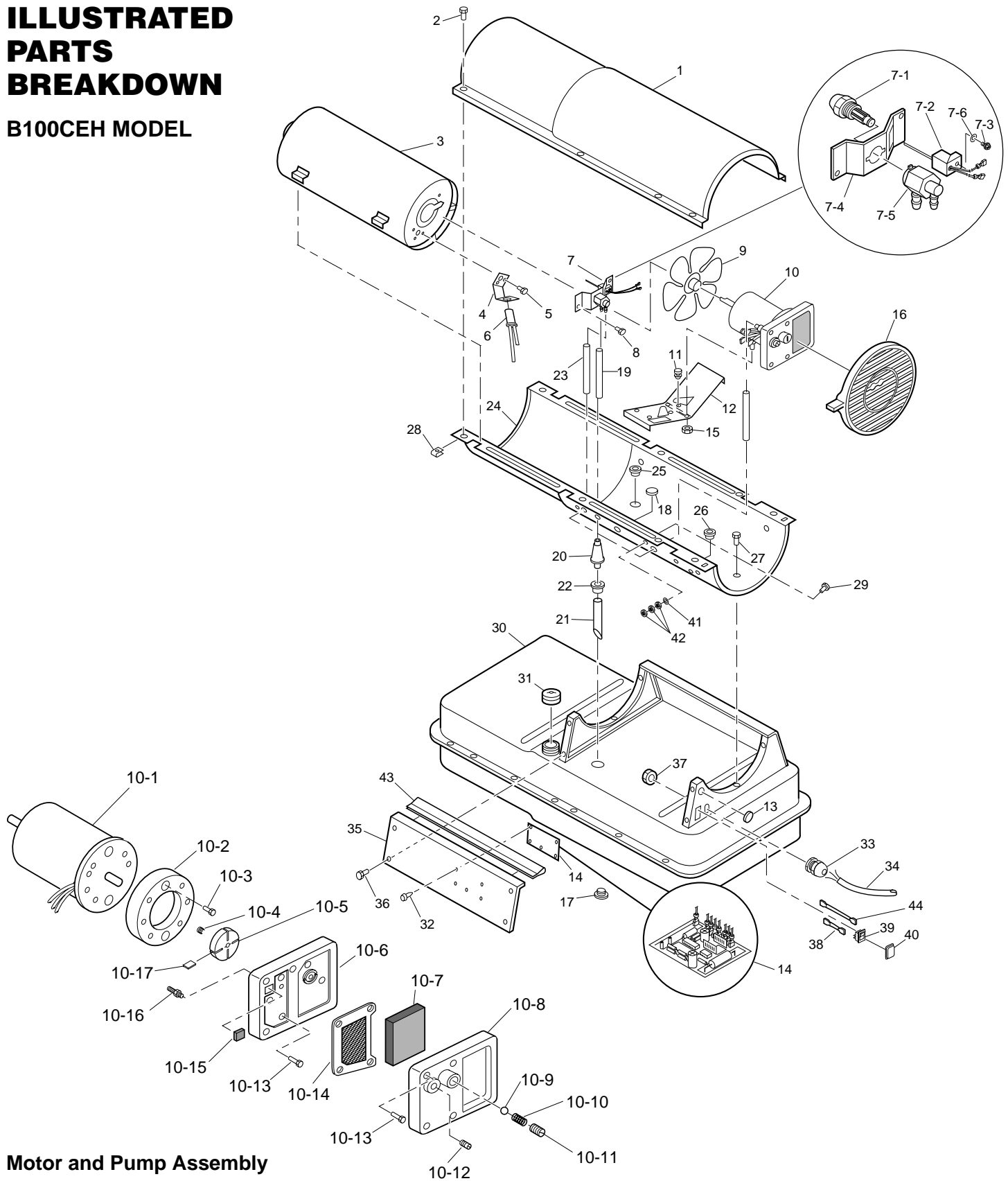
KEY NO.	PART NUMBER	DESCRIPTION	QTY.	KEY NO.	PART NUMBER	DESCRIPTION	QTY.
1	M51104-01	Handle	1	14	079673-07	Power Cord	1
2	098511-256	Upper Shell	1	15	M50400	Strain Relief Bushing	1
3	M11084-29	Screw, #10-16 x 3/4"	2	16	NTC-4C	Hex Lock Nut, 1/4-20	2
4	102432-01	Screw/Lockwasher, 1/2"	6	17	102431-01	Screw/Lockwasher, 1/2"	4
5	098512-64	Combustion Chamber	1	18	M50631	Rubber Bumper	2
6	M10908-2	Screw, #6-32 x 3/8"	2	19	097461-09	Side Cover	1
7	103154-03	Photocell Bracket	1	20	101205-01	Motor Bracket	1
8	M16656-24	Photocell Assembly	1	21	M30865-02	Bushing	1
9	**	Burner Strap Assembly	1	22	M11271-8	Clip Nut	6
9-1	HA3026	Nozzle Assembly	1	23	M50104-02	Bushing	1
9-2	102548-05	Ignitor Kit	1	24	102431-01	Screw/Lockwasher, 1/2"	6
9-3	104056-01	Nozzle Adapter	1	25	RF3-4B	Screw, #10-32 x 1/2"	1
9-4	102336-01	Nozzle Adapter Bracket	1	26	098511-237	Lower Shell	1
9-5	M10908-75	Screw, #6-32 x 7/8"	1	27	M50814-06	Rubber Airline	1
9-6	103347-01	Belleville Washer	1	28	M29652-05	Fuel Line	1
10	102431-01	Screw/Lockwasher, 1/2"	2	29	108060-03	Fuel Filter	1
11	103684-01	Fan	1	30	M10990-3	Rubber Bushing	1
12	**	Motor and Pump Assembly	1	31	102861-01	Nylon Locknut	1
12-1	102001-23	Motor	1	32	102349-01	PCB Support	5
12-2	079975-02	Pump Body	1	33	104068-04	Ignition Control Assembly	1
12-3	M22009	Insert	1	34	097702-01	Fuel Cap (Includes Gasket)	1
12-4	M22456-1	Rotor	1	35	108088-03	Fuel Tank	1
12-5	M29608	Pump End Cover	1	36	M51108-01	Shell Heat-Shield	1
12-6	M29632	Lint Filter	1	37	NPF-3B	Nut, #10-32	3
12-7	M29633	Intake Filter	1	38	097785-01	Vinyl Foam Gasket	1
12-8	M29609	Filter End Cover	1	39	WLE-3	Lockwasher, #10	1
12-9	M12461-31	Screw, #10-32 x 1"	3	40	079010-39	Wire Assembly (Brown)	1
12-10	M27694	Adjusting Screw	1	41	105793-01	ON/OFF Switch	1
12-11	M10993-1	Pressure Relief Spring	1	42	079919-01	Switch Cover	1
12-12	M22997	Plug	1	43	079010-40	Wire Assembly (White)	1
12-13	M8940	Steel Ball, 1/4" Diameter	1	PARTS AVAILABLE - NOT SHOWN			
12-14	M29612-01	Output Filter	1		HA2210	Filler Neck Screen	1
12-15	M12461-31	Screw #10-32 x 1"	6		103814-01	Wire Tie	1
12-16	103676-01	Nylon Elbow, 90°	1		097649-01	Tradename Decal	2
12-17	M8643	Blade	4		106013-02	Decal Package	1
12-18	FHPF3-5C	Screw, #10-32 x 5/8"	2		105880-01	Ignition Control Assembly Fuse	1
12-19	105780-01	Plastic Cap	1				
13	M51105-01	Fan Guard	1				

** Not available as an assembly; order parts separately

PORTABLE FORCED AIR HEATERS

ILLUSTRATED PARTS BREAKDOWN

B100CEH MODEL



Motor and Pump Assembly

OWNER'S MANUAL

PARTS LIST

This list contains replaceable parts used in your heater. When ordering parts, be sure to provide the correct model and serial numbers (from the model plate), then the part number and description of the desired part.

B100CEH MODEL

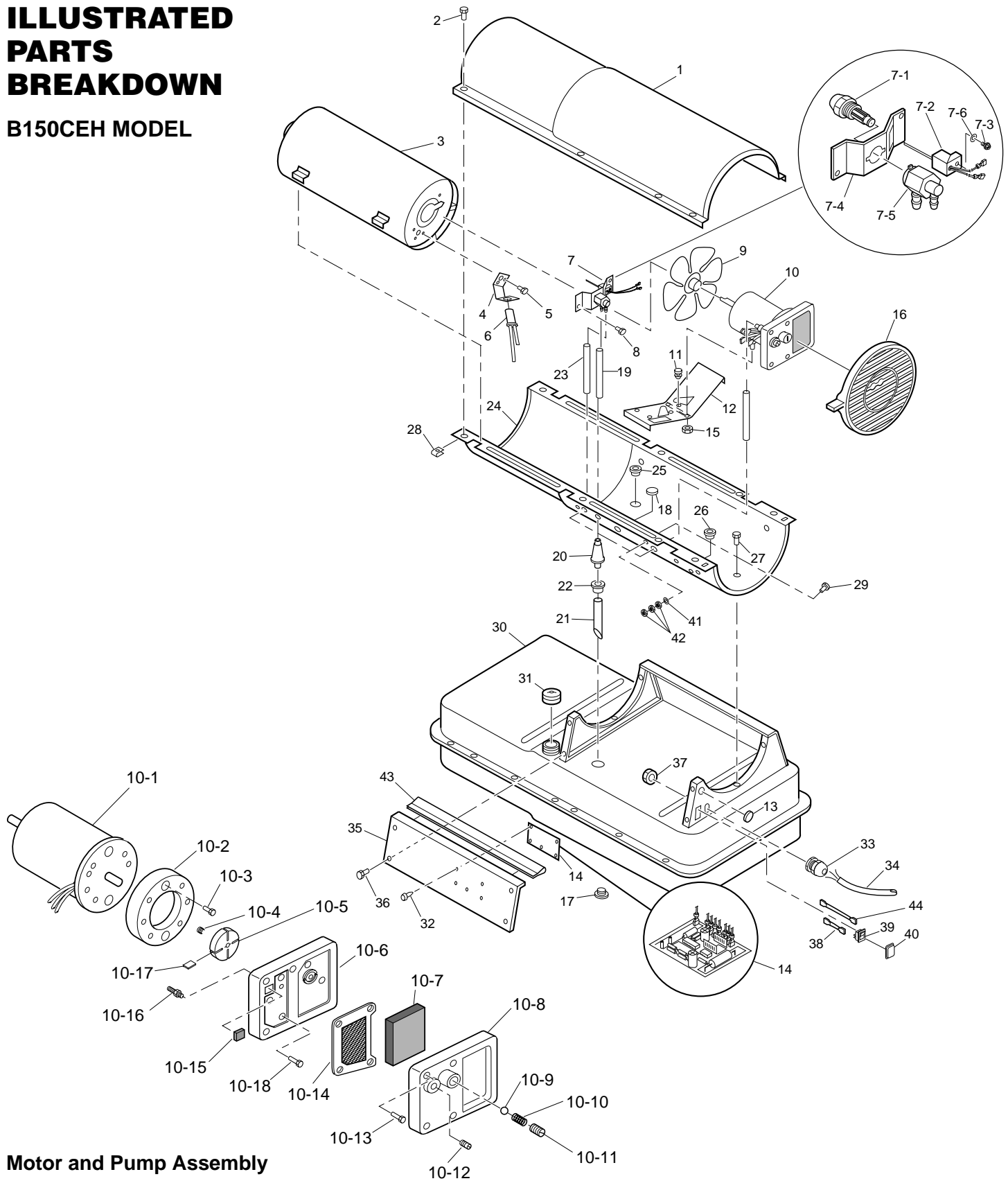
KEY NO.	PART NUMBER	DESCRIPTION	QTY.	KEY NO.	PART NUMBER	DESCRIPTION	QTY.
1	098511-257	Upper Shell	1	15	NTC-4C	Hex Lock Nut, 1/4-20	2
2	102432-01	Screw/Lockwasher, 1/2"	8	16	M51114-01	Fan Guard	1
3	098512-65	Combustion Chamber	1	17	M27417	Drain Plug (Includes "o" Ring)	1
4	103971-01	Photocell Bracket	1	18	099213-01	Button Plug	1
5	M10908-2	Screw, #6-32 x 3/8"	2	19	M51345-01	Fuel Line	1
6	M16656-24	Photocell Assembly	1	20	107961-01	Fuel Filter	1
7	**	Burner Strap Assembly	1	21	M51151-01	Fuel Line Tube	1
7-1	HA3027	Nozzle Assembly	1	22	M10990-3	Rubber Bushing	1
7-2	102548-05	Ignitor Kit	1	23	M50814-03	Airline	1
7-3	M10908-75	Screw, #6-32 x 7/8"	1	24	098511-236	Lower Shell	1
7-4	102336-01	Nozzle Adapter Bracket	1	25	M50104-03	Bushing	1
7-5	104054-01	Nozzle Adapter	1	26	M50104-01	Bushing	1
7-6	103347-01	Belleville Washer	1	27	102431-01	Screw/Lockwasher, 1/2"	6
8	102431-01	Screw/Lockwasher, 1/2"	2	28	M11271-8	Clip Nut	8
9	102042-01	Fan	1	29	RF3-4B	Screw, #10-32 x 1/2"	1
10	**	Motor and Pump Assembly	1	30	108088-04	Fuel Tank	1
10-1	102001-24	Motor	1	31	097702-01	Fuel Cap (Includes Gasket)	1
10-2	079975-02	Pump Body	1	32	102349-01	P.C. Board Support	5
10-3	FHPF3-5C	Screw, #10-32 x 5/8"	2	33	M50400	Strain Relief Bushing	1
10-4	M22009	Rotor Insert	1	34	079673-07	Power Cord	1
10-5	M22456-1	Pump Rotor	1	35	M51077-15	Side Cover	1
10-6	M50545	Pump End Cover	1	36	102431-01	Screw/Lockwasher, 1/2"	4
10-7	M12179	Intake Filter	1	37	102861-01	Nylon Locknut	1
10-8	M16545	Filter End Cover	1	38	079010-39	Wire Assembly (Brown)	1
10-9	M8940	Steel Ball, 1/4" Diameter	1	39	105793-01	ON/OFF Switch	1
10-10	M10993-1	Relief Spring	1	40	079919-01	Switch Cover	1
10-11	M27694	Adjusting Screw	1	41	WLE-3	Lockwasher, #10	1
10-12	M22997	Plug	1	42	NPF-3B	Nut, #10-32	3
10-13	M12461-31	Screw, #10-32 x 1"	10	43	097468-01	Edge Liner	1
10-14	M12244-1	Output Filter	1	44	079010-40	Wire Assembly (White)	1
10-15	M11637	Lint Filter	1	PARTS AVAILABLE - NOT SHOWN			
10-16	M50820-02	Barb Fitting	1		HA2210	Filler Neck Screen	1
10-17	M8643	Blade	4		103814-01	Wire Tie	1
11	M50631	Rubber Bumper	2		097650-01	Tradename Decal	2
12	101206-01	Motor Mounting Bracket	1		106013-03	Decal Package	1
13	101695-01	Button Plug	1		105880-01	Ignition Control Assembly Fuse	1
14	104068-04	Ignition Control Assembly	1				

** Not available as an assembly; order parts separately

PORTABLE FORCED AIR HEATERS

ILLUSTRATED PARTS BREAKDOWN

B150CEH MODEL



Motor and Pump Assembly

OWNER'S MANUAL

PARTS LIST

This list contains replaceable parts used in your heater. When ordering parts, be sure to provide the correct model and serial numbers (from the model plate), then the part number and description of the desired part.

B150CEH Model

KEY NO.	PART NUMBER	DESCRIPTION	QTY.	KEY NO.	PART NUMBER	DESCRIPTION	QTY.
1	098511-257	Upper Shell	1	15	NTC-4C	Hex Lock Nut, 1/4-20	2
2	102432-01	Screw/Lockwasher, 1/2"	8	16	M51114-01	Fan Guard	1
3	098512-66	Combustion Chamber	1	17	M27417	Drain Plug (Includes "o" Ring)	1
4	103154-05	Photocell Bracket	1	18	099213-01	Button Plug	1
5	M10908-2	Screw, #6-32 x 3/8"	2	19	M51345-04	Fuel Line	1
6	M16656-24	Photocell Assembly	1	20	107961-01	Fuel Filter	1
7	**	Burner Strap Assembly	1	21	M51151-02	Fuel Line Tube	1
7-1	100735-24	Nozzle Assembly	1	22	M10990-3	Rubber Bushing	1
7-2	102548-05	Ignitor Kit	1	23	M50814-03	Airline	1
7-3	M10908-75	Screw, #6-32 x 7/8"	1	24	098511-236	Lower Shell	1
7-4	102336-01	Nozzle Adapter Bracket	1	25	M50104-03	Bushing	1
7-5	104054-01	Nozzle Adapter	1	26	M50104-01	Bushing	1
7-6	103347-01	Belleville Washer	1	27	102431-01	Screw/Lockwasher, 1/2"	6
8	102431-01	Screw/Lockwasher, 1/2"	2	28	M11271-8	Clip Nut	8
9	102042-01	Fan	1	29	RF3-4B	Screw, #10-32 x 1/2"	1
10	**	Motor and Pump Assembly	1	30	108088-05	Fuel Tank	1
10-1	102001-24	Motor	1	31	097702-01	Fuel Cap (Includes Gasket)	1
10-2	079975-03	Pump Body	1	32	102349-01	P.C. Board Support	5
10-3	FHPF3-6C	Screw, #10-32 x 3/4"	2	33	M50400	Strain Relief Bushing	1
10-4	M22009	Rotor Insert	1	34	079673-07	Power Cord	1
10-5	M22456-2	Pump Rotor	1	35	M51077-15	Side Cover	1
10-6	M50545	Pump End Cover	1	36	102431-01	Screw/Lockwasher, 1/2"	4
10-7	M12179	Intake Filter	1	37	102861-01	Nylon Locknut	1
10-8	M16545	Filter End Cover	1	38	079010-39	Wire Assembly (Brown)	1
10-9	M8940	Steel Ball, 1/4" Diameter	1	39	105793-01	ON/OFF Switch	1
10-10	M10993-1	Relief Spring	1	40	079919-01	Switch Cover	1
10-11	M27694	Adjusting Screw	1	41	WLE-3	Lockwasher, #10	1
10-12	M22997	Plug	1	42	NPF-3B	Nut, #10-32	3
10-13	M12461-31	Screw, #10-32 x 1"	4	43	097468-01	Edge Liner	1
10-14	M12244-1	Output Filter	1	44	079010-40	Wire Assembly (White)	1
10-15	M11637	Lint Filter	1	PARTS AVAILABLE - NOT SHOWN			
10-16	M50820-02	Barb Fitting	1		HA2210	Filler Neck Screen	1
10-17	M8643-2	Blade	4		103814-01	Wire Tie	1
10-18	M12461-32	Screw, #10-32 x 1 1/8"	6		097650-01	Tradename Decal	2
11	M50631	Rubber Bumper	2		106013-04	Decal Package	1
12	101206-01	Motor Mounting Bracket	1		105880-01	Ignition Control Assembly Fuse	1
13	101695-01	Button Plug	1				
14	104068-04	Ignition Control Assembly	1				

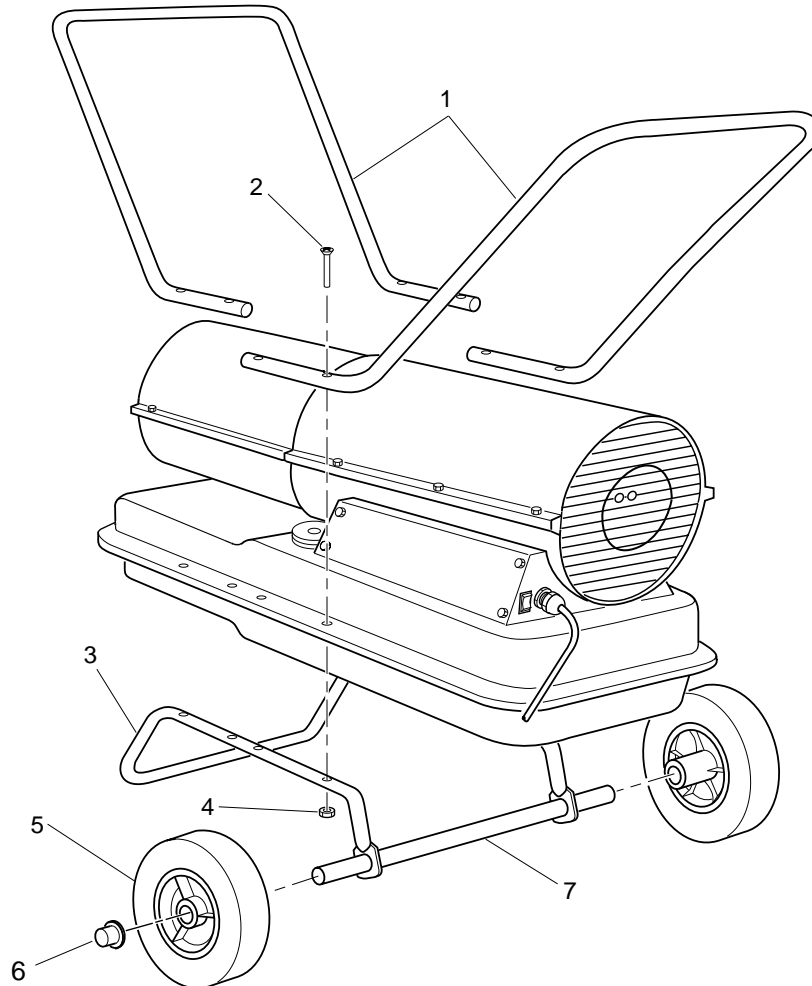
** Not available as an assembly; order parts separately

PORTABLE FORCED AIR HEATERS

WHEELS AND HANDLES

B100CEH AND B150CEH MODELS

KEY NO.	PART NUMBER	PART DESCRIPTION	B100CEH QTY.	B150CEH QTY.
1	HA2203	Handles	2	—
	HA2204	Handles	—	2
2	M12345-33	Screw, #10-24 x 1 3/4"	8	8
3	M12342-3	Wheel Support Frame	1	—
	M12831-3	Wheel Support Frame	—	1
4	NTC-3C	Hex Nut, #10-24	8	8
5	107426-01	Wheel (2)	1	1
6	M28526	Cap Nut	2	2
7	M51015-01	Axle	1	—
	M16801-2	Axle	—	1

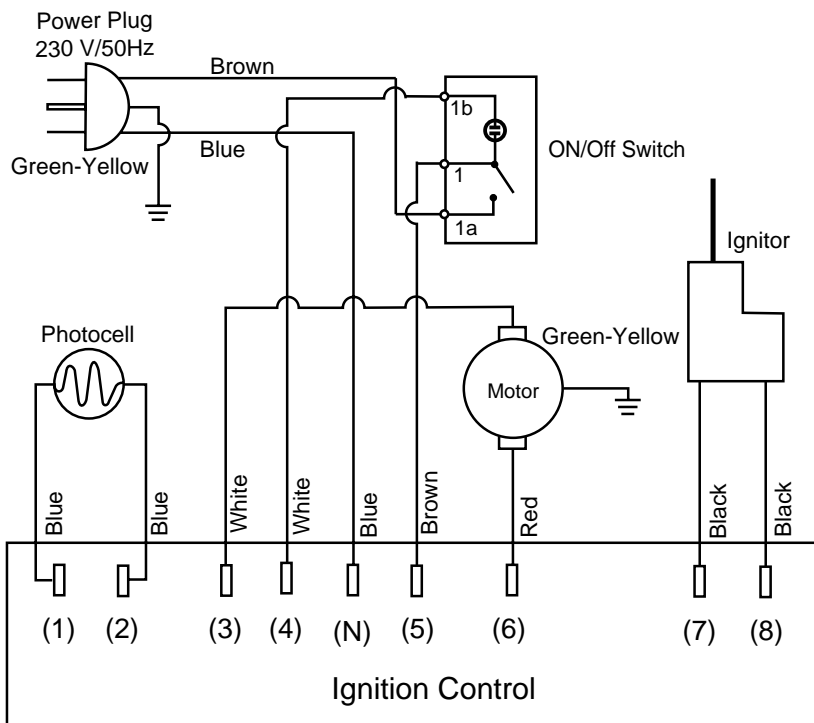


OWNER'S MANUAL

SPECIFICATIONS

Output Rating (kw/Btu/Hr)	10 (35,000)	20 (70,000)	30 (100,000)	44 (150,000)
Fuel	Use Only Kerosene or No. 1 Fuel Oil			
Fuel Tank Capacity (Liters/U.S. Gal.)	11.4/3.0	18.9/5.0	34/9.0	51.1/13.5
Fuel Consumption (Liters Per Hr./Gal. Per Hr.)	1.1/.28	1.97/.52	3.0/.79	4.1/1.1
Electric Requirements	230 V/50 Hz (Same All Models)			
Amperage (Normal Run)	.8	1.0	1.2	1.2
Hot Air Output (CMM/CFM)	4/140	6.4/225	12/425	14.2/500
RPM	1425	2850	2850	2850

WIRING DIAGRAM

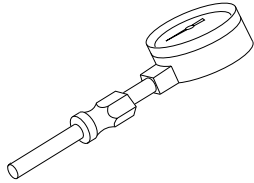


MASTER[®]

PORTABLE FORCED AIR HEATERS

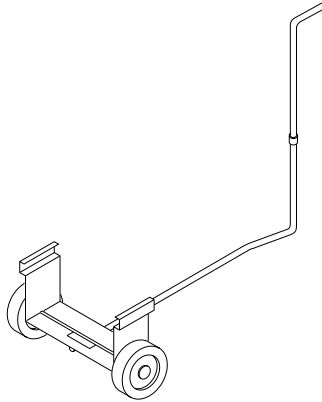
ACCESSORIES

Purchase accessories from your local dealer.



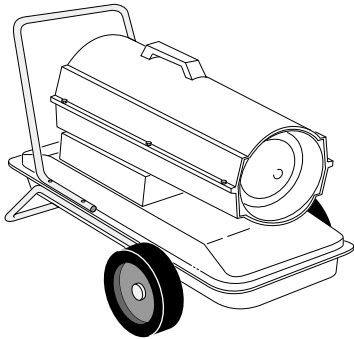
AIR GAUGE KIT - HA1180

For all models. Special tool to check pump pressure.



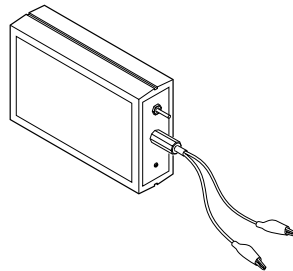
STANDARD WHEELS AND HANDLE KIT - HA1206

Makes heater even more portable and convenient. Easy to assemble. For B35CEH and B70CEH models.



HEAVY DUTY WHEELS AND HANDLE KIT - HA1202

For heavy duty applications. Makes your heater even more portable and convenient. For B35CEH and B70CEH models.



IGNITION CONTROL ASSEMBLY/PHOTOCELL TESTER - HA1170

Special tool used to test the ignition control assembly and photocell.

OWNER'S MANUAL

EC CONFORMITY DECLARATION

EC CONFORMITY DECLARATION

**DESA Europe B.V.
Innsbruckweg 144, 3047 AH
Postbus 11158
3004 ED Rotterdam
Holland**

**Manufacturer:
DESA International, Inc.
2701 Industrial Drive
Bowling Green, KY 42101 U.S.A.**

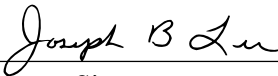
**Kerosene Portable Forced Air Heaters
Model Numbers: B35CEH, B70CEH, B100CEH, B150CEH**

It is declared that these models conform to the Machinery Directive 98/37/EC, including 91/368/EEC and the Low Voltage Directive 73/23/EEC. It is further declared that these models conform to the EMC Directive 89/336/EEC, amended by 92/31/EEC and including EN50081-1 and EN50082-1.

We declare that the models noted are in conformity.

<u>Company</u>	DESA International, Inc.
<u>Name</u>	Joseph B. Lee
<u>Title</u>	Vice President, Heating Products Engineering

07/25/2000 — Bowling Green, KY
Date and Place


Signature

WARRANTY INFORMATION

CERTIFICATE OF GENERAL EQUIPMENT - LIMITED ONE YEAR WARRANTY

DESA International warrants new Products sold by it to be free from defects in material or workmanship for a period of one year after date of delivery to the first user and subject to the following conditions:

DESA International's obligation and liability under this Warranty is expressly limited to repairing or replacing at DESA International's option, any parts which appear to DESA International upon inspection to have been defective in material or workmanship when shipped from the factory. Such parts shall be provided at no cost to the user, at the business establishment of any factory authorized service center or the factory during regular working hours. The Warranty shall not apply to component parts or accessories of Products not manufactured by DESA International and which carry the warranty of the manufacturer thereof, or to normal maintenance (such as pressure adjustments) or to normal maintenance parts (such as filters and spark plugs). Replacement or repair parts installed in the Product covered by this Warranty are warranted only for the remainder of this Warranty as if such parts were original components of said Product. DESA INTERNATIONAL MAKES NO OTHER EXPRESS WARRANTY. TO THE EXTENT PERMITTED BY LAW DESA INTERNATIONAL MAKES NO IMPLIED WARRANTY AND MAKES NO WARRANTY OF MERCHANTABILITY OR FITNESS FOR ANY PARTICULAR PUR-

POSE. IN ANY EVENT IMPLIED WARRANTIES INCLUDING THOSE OF MERCHANTABILITY AND FITNESS FOR A PARTICULAR PURPOSE ARE LIMITED TO THE DURATION OF THIS EXPRESS WARRANTY.

Any transportation charges, costs of installation, duty, taxes or any other charges whatsoever must be borne by the user. DESA International's obligation under this limited Warranty shall not include any liability for direct, indirect, incidental, or consequential damage or delay. If requested by DESA International, Products or parts for which a warranty claim is made are to be returned transportation prepaid by user to the factory. Any improper use, including operation after discovery of defective or worn parts, operation beyond capacity, substitution of parts not approved by DESA International, or any alteration or repair by others in such manner as in DESA International's judgement affects the Product materially and adversely, shall void this Warranty.

NO EMPLOYEE OR REPRESENTATIVE IS AUTHORIZED TO CHANGE THIS WARRANTY IN ANY WAY OR GRANT ANY OTHER WARRANTY UNLESS SUCH CHANGE IS MADE IN WRITING AND SIGNED BY AN OFFICER OF DESA INTERNATIONAL AT ITS HOME OFFICE.

WARRANTY SERVICE

Always specify model and serial numbers when communicating with the factory.

We reserve the right to amend these specifications at any time without notice. The only Warranty applicable is our standard written Warranty. We make no other Warranty, expressed or implied.

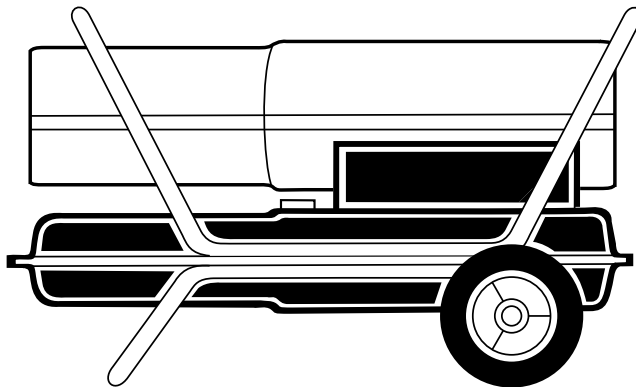
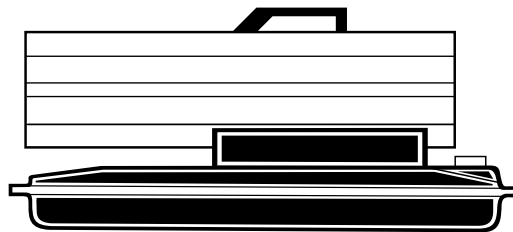
A Service Manual is available by writing to the Technical Service Department at:

DESA
INTERNATIONAL

Corporate Headquarters
2701 Industrial Drive
P.O. Box 90004
Bowling Green, Kentucky 42102-9004
U.S.A.

MASTER[®]

APPAREILS DE CHAUFFAGE INDIVIDUELS À AIR FORCÉ MANUEL D'UTILISATION



Production de la chaleur: 8 800, 17 500, 25 000, et 38 000 Kcal/h

Modèles: B35CEH, B70CEH, B100CEH, et B150CEH

IMPORTANT: Veiller à lire et comprendre ce manuel avant de monter, mettre en marche ou effectuer l'entretien de cet appareil. Une mauvaise utilisation de cet appareil pourrait causer des blessures graves. Conserver ce manuel pour s'y reporter plus tard.



APPAREILS DE CHAUFFAGE INDIVIDUELS À AIR FORCÉ

NOTES SUR LA SÉCURITÉ

AVERTISSEMENTS

IMPORTANT: Veiller à lire ce manuel d'utilisation attentivement et complètement avant de tenter de monter, de faire fonctionner ou d'effectuer l'entretien de cet appareil. Une mauvaise utilisation de cet appareil de chauffage peut causer des blessures graves voire la mort par brûlures, incendie, explosion, électrocution et intoxication par l'oxyde de carbone.

 DANGER: L'intoxication par l'oxyde de carbone peut entraîner la mort!

Intoxication par l'oxyde de carbone: Les premiers signes d'intoxication par l'oxyde de carbone ressemblent à ceux de la grippe: maux de tête, vertiges ou nausée. Si l'on ressent ces symptômes, il se peut que l'appareil de chauffage ne fonctionne pas correctement. **Aller immédiatement respirer de l'air frais!** Faire réparer l'appareil de chauffage. Certaines personnes sont plus susceptibles que d'autres aux effets de l'oxyde de carbone, par exemple les femmes enceintes, les personnes souffrant de maladies cardiaques ou pulmonaires, d'anémie, celles sous l'effet de l'alcool ou celles se trouvant à haute altitude.

Veiller à lire et comprendre tous les avertissements. Conserver ce manuel pour s'y reporter plus tard. C'est un guide pour l'utilisation correcte et sans danger de cet appareil de chauffage.

- Ne se servir que de kérosène ou de fioul n°1 pour éviter les risques d'incendie ou d'explosion. Ne jamais utiliser d'essence, de naphte, de diluants à peinture, d'alcool ou d'autres combustibles hautement inflammables.
- Alimentation en carburant
 - a) Les employés chargés de refaire le plein doivent être qualifiés et doivent bien connaître les instructions du fabricant et la réglementation applicable concernant l'alimentation sûre en carburant des appareils de chauffage.

- b) Seul le type de carburant précisé sur la plaque signalétique de l'appareil de chauffage doit être utilisé.
- c) Avant de refaire le plein, il faut s'assurer que toutes les flammes, y compris la veilleuse, le cas échéant, sont éteintes et que l'appareil de chauffage a refroidi.
- d) Durant l'alimentation en carburant, il importe d'inspecter toutes les conduites de carburant et tous les raccords de conduite de carburant pour y relever d'éventuelles fuites. Toutes les fuites doivent être corrigées avant de remettre l'appareil de chauffage en service.
- e) On ne doit jamais stocker plus d'un jour d'approvisionnement en carburant pour l'appareil de chauffage à l'intérieur d'un bâtiment, à proximité de l'appareil de chauffage. Le carburant en vrac doit être stocké à l'extérieur de la structure.
- f) Tout le carburant doit être stocké à une distance d'au moins 762 cm (25 feet) des appareils de chauffage, chalumeaux, matériel de soudage et sources similaires d'inflammation (exception faite du réservoir de carburant faisant partie intégrante de l'appareil de chauffage).
- g) Le carburant doit, autant que possible, être stocké là où les pénétrations du plancher ne permettent pas que le carburant s'égoutte sur un feu situé plus bas ou soit allumé par ce feu.
- h) Le carburant doit être stocké conformément à toutes les réglementations applicables.

- Ne jamais se servir de l'appareil dans des endroits contenant des vapeurs d'essence, de diluant à peinture ou d'autres vapeurs hautement inflammables.
- Se conformer à tous les règlements et codes locaux lors de l'utilisation de l'appareil.
- Ne le faire fonctionner que dans des endroits bien aérés. Assurer au moins 2800 cm² (3 sq ft) d'air frais extérieur pour chaque 25 000 Kcal/h (100 000 BTU Hr) de rendement nominal.

- Ne le faire fonctionner que dans des endroits sans vapeurs inflammables et sans poussière.
- Ne le brancher que sur du courant de tension et fréquence spécifiées sur la plaque signalétique.
- Ne se servir que d'une rallonge à trois fils avec mise à la terre.
- Les appareils de chauffage utilisés à proximité de bâches, de toiles ou de matériaux similaires d'enceinte doivent être placés à une distance sûre de ces matériaux. La distance sûre minimale recommandée est de 304,8 cm (10 feet). Il est également recommandé que ces matériaux d'enceinte soient de nature ignifuge. Ces matériaux d'enceinte doivent être fixés solidement pour les empêcher de s'enflammer ou de renverser l'appareil de chauffage sous l'action du vent.
- LB Distance minimale entre l'appareil et tout matériau combustible:
Sortie : 250 cm (8 ft.)
Côtés, dessus et arrière: 125 cm (4 ft.)
- Placer l'appareil de chauffage sur une surface stable et horizontale lorsqu'il est chaud ou en marche pour éviter de provoquer un incendie.
- Lors du déplacement ou du remisage de l'appareil, le maintenir horizontal pour éviter de renverser du carburant.
- Maintenir enfants et animaux éloignés de l'appareil de chauffage.
- Débrancher l'appareil lorsqu'on ne s'en sert pas.
- S'il est muni d'un thermostat, l'appareil peut se mettre en marche à n'importe quel moment.
- Ne jamais utiliser l'appareil dans les salles de séjour ou dans les chambres à coucher.
- Ne jamais bloquer l'entrée d'air (arrière) ou la sortie d'air (avant) de l'appareil.
- Ne jamais déplacer, manipuler, faire le plein ou effectuer l'entretien d'un appareil chaud, en marche ou branché.
- Ne jamais monter de canalisation de distribution d'air à l'avant ou à l'arrière de l'appareil.

NOMENCLATURE DES PIÈCES

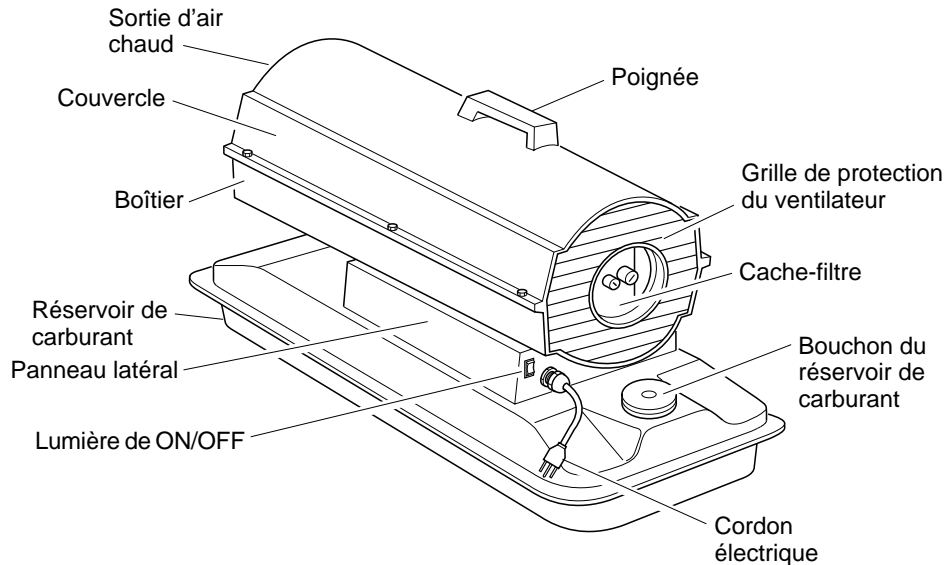


Figure 1 - Modèles B35CEH et B70CEH

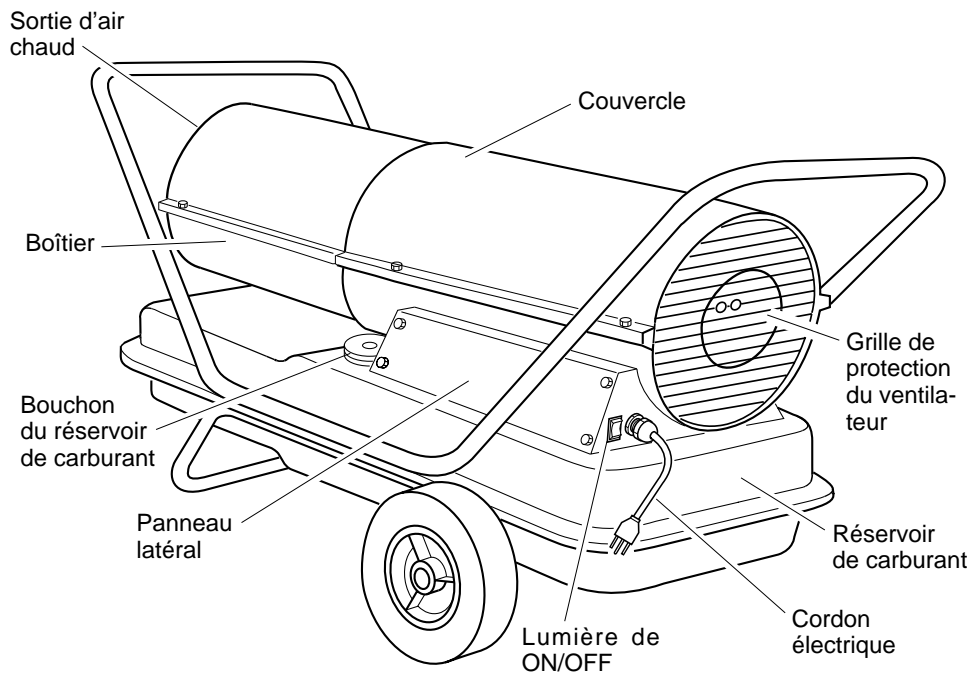


Figure 2 - Modèles B100CEH et B150CEH

DÉBALLAGE

1. Retirer tous les emballages de protection utilisés pour le transport.
2. Retirer tous les éléments contenus dans la boîte.
3. Vérifier s'ils ont été endommagés pendant le transport. Si l'appareil est endommagé, avertir au plus tôt le concessionnaire qui l'a vendu.

CARBURANTS

⚠ AVERTISSEMENT: Ne se servir que de kérosène ou de fioul n°1 pour éviter les risques d'incendie ou d'explosion. Ne jamais utiliser d'essence, de naphte, de diluants à peinture, d'alcool ou d'autres combustibles hautement inflammables.

Ne pas se servir de carburants lourds tels que le fioul n°2 ou le carburant diesel n°2. L'utilisation de carburants lourds peut donner lieu:

- au colmatage du filtre à carburant et du gicleur
- au besoin d'ajouter au carburant des produits antigel non toxiques durant les périodes de grand froid.

IMPORTANT: Se servir d'un bidon utilisé EXCLUSIVEMENT pour du KÉROSÈNE. S'assurer que le récipient de stockage est propre. Les matières étrangères telles que la rouille, la poussière ou l'eau provoquent l'arrêt de l'appareil par le détecteur d'extinction de flamme. En outre, elles peuvent exiger un nettoyage plus fréquent du circuit d'alimentation en carburant.

APPAREILS DE CHAUFFAGE INDIVIDUELS À AIR FORCÉ

MONTAGE

(POUR MODÈLES B100CEH ET B150CEH)

Ces modèles sont livrés avec des roues et des guidons. Ces derniers et leur boulonnerie de montage se trouvent dans la boîte d'expédition.

Outils Nécessaires

- Tournevis cruciforme de taille moyenne
 - Clé plate ou à molette de 3/8 po
 - Marteau
1. Faire passer l'essieu dans le berceau. Installer les roues sur l'essieu. **IMPORTANT:** Installer les roues avec le côté allongé du moyeu tourné vers le berceau (voir figure 3).

2. Placer les écrous borgnes sur les extrémités de l'essieu. Taper légèrement dessus avec le marteau pour les mettre en place.
3. Placer l'appareil de chauffage sur le berceau. S'assurer que le côté entrée d'air (arrière) de l'appareil se trouve au-dessus des roues. Aligner les trous du rebord du réservoir de carburant avec les trous du berceau.
4. Placer les guidons avant et arrière sur le rebord du réservoir de carburant. Faire passer les vis à travers les guidons, le rebord du réservoir et le berceau. Ceci fait, serrer à la main un écrou sur chaque vis.

5. Une fois toutes les vis en place, serrer fermement les écrous.
6. Leg het heteluchtkanon op het onderstel. Zorg dat de luchtinlaatopening (achterkant) zich boven de wielen bevindt. Breng de gaten in de rand rond de brandstoftank in lijn met de gaten in het onderstel.
7. Plaats de voorste en achterste hendel op de rand rond de tank. Steek de schroeven door de hendels, de rand rond de tank en het onderstel. Bevestig na het aanbrengen van iedere schroef een moer; draai deze met de hand vast.
8. Draai alle moeren stevig vast nadat alle schroeven zijn aangebracht.

VENTILATION

AVERTISSEMENT: Respecter les règles minimales de ventilation en air frais extérieur. Sans ventilation adéquate en air frais extérieur, il y a risque d'intoxication par l'oxyde de carbone. S'assurer que ces règles sont bien suivies avant de faire fonctionner l'appareil de chauffage.

Assurer l'entrée d'air frais extérieur par une ouverture d'au moins 2800 cm² (3 sq ft) pour chaque 25 000 Kcal/h (100 000 Btu/Hr) de rendement nominal. Prévoir davantage d'air frais si plusieurs appareils sont utilisés.

Exemple: Un appareil de chauffage de 38 000 Kcal/h (150 000 Btu/Hr) doit fonctionner dans l'une des conditions suivantes:

- une porte double de garage relevée de 15 cm (6 po)
- une porte simple de garage relevée de 23 cm (9 po)
- deux fenêtres à guillotine de 76 cm (30 po) de large relevées de 31 cm (12 po)

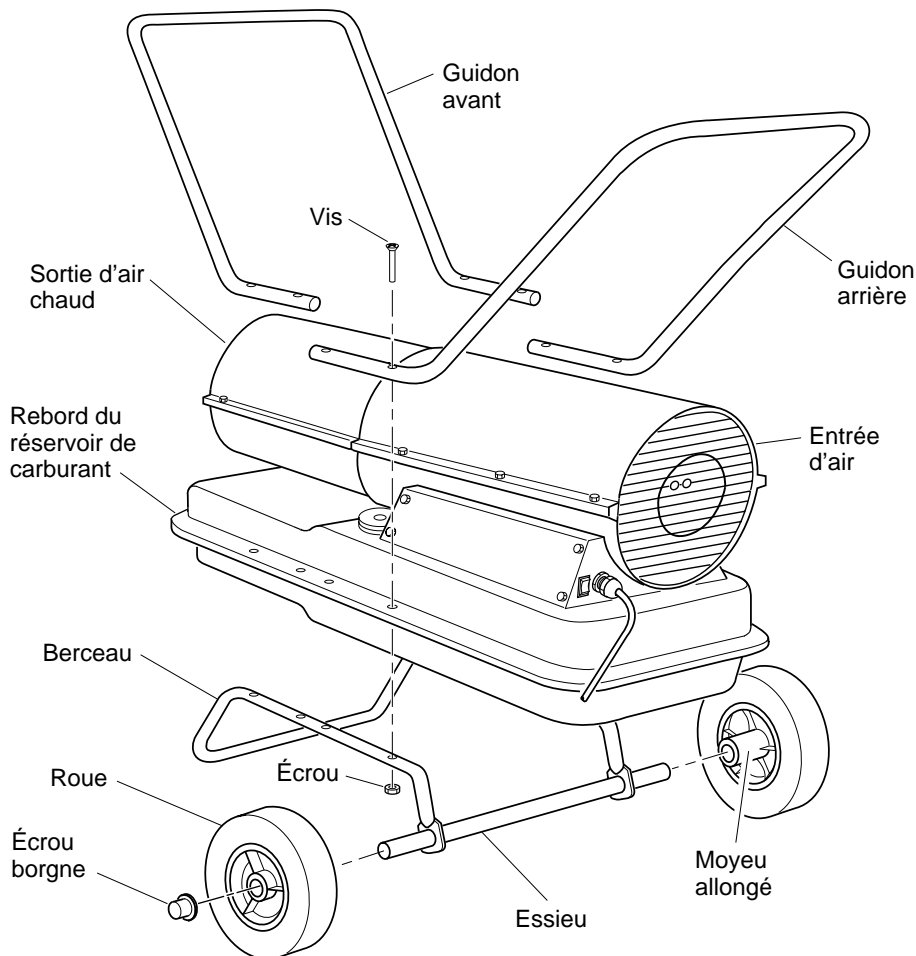


Figure 3 - Montage des roues et des guidons

PRINCIPES DE FONCTIONNEMENT

Circuit d'alimentation en carburant: La pompe à air force l'air dans la conduite d'air. L'air passe ensuite par le gicleur du brûleur. La dépression causée par l'air fait monter le carburant du réservoir. Un fin nuage de carburant est vaporisé dans la chambre de combustion.

Circuit d'air: Le moteur fait tourner le ventilateur. Celui-ci pousse l'air dans et autour de la chambre de combustion. Cet air est chauffé et produit un jet d'air chaud non pollué.

Dispositif d'allumage: La commande d'allumage envoie le courant à l'allumeur. Celui-ci enflamme le mélange combustible/air dans la chambre de combustion.

Détecteur d'extinction de flamme: Ce dispositif arrête l'appareil de chauffage si la flamme s'éteint.

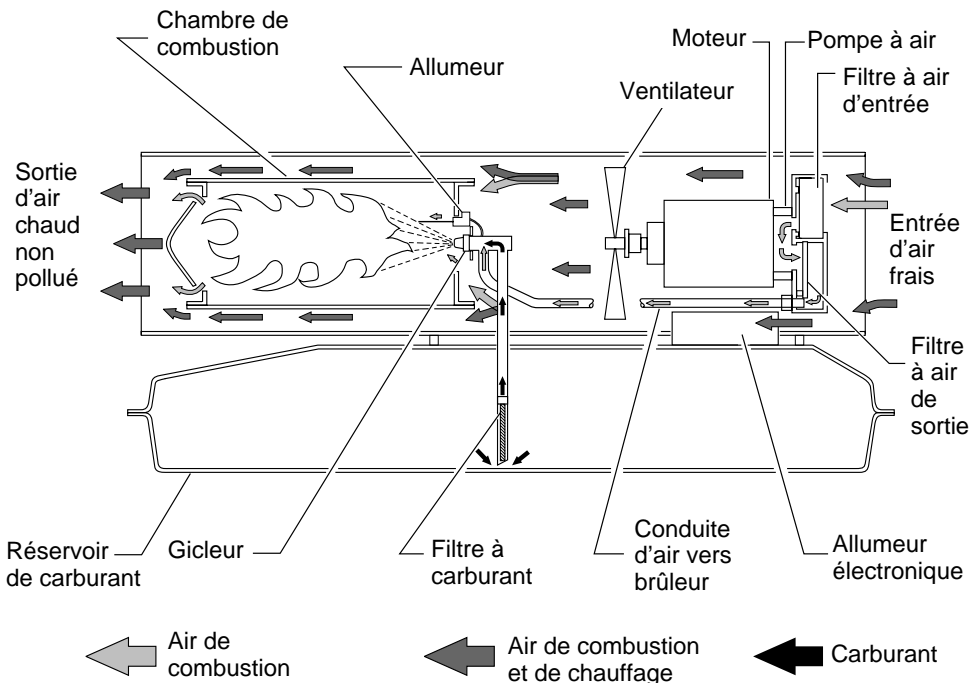


Figure 4 - Coupe, fonctionnement

FONCTIONNEMENT

⚠ AVERTISSEMENT: Veiller à revoir et à bien comprendre les avertissements qui se trouvent dans la section "Notes sur la sécurité", page 2. Cela est nécessaire pour faire fonctionner cet appareil en toute sécurité. Respecter tous les règlements locaux lors de l'utilisation de cet appareil.

MISE EN MARCHÉ DE L'APPAREIL

1. Suivre les instructions concernant la ventilation et la sécurité.
2. Faire le plein du réservoir avec du kérosène ou du fioul n°1.
3. Remettre le bouchon du réservoir.
4. Brancher le cordon électrique de l'appareil dans une prise standard de 230 Volt et 50 Hz avec prise de terre. Se servir d'une rallonge si nécessaire. N'utiliser qu'une rallonge à trois fils avec mise à la terre.

CONDITIONS REQUISES POUR LES RALLONGES ÉLECTRIQUES

Pour des longueurs atteignant 30,5 m (100 ft), rallonge de calibre 1,0 mm² (16 AWG)

De 30,6 à 61 m (101 à 200 ft), rallonge de calibre 1,5 mm² (14 AWG)

Mettre l'interrupteur MARCHÉ/ARRÉT en position de MARCHÉ (I) et l'appareil doit se mettre en marche dans les 5 secondes. Si ce n'est pas le cas, voir *Dépannage* (page 7 et 8).

POUR ARRÊTER L'APPAREIL DE CHAUFFAGE

Mettre l'interrupteur MARCHÉ/ARRÉT en position d'ARRÊT (O).

POUR REMETTRE L'APPAREIL EN MARCHÉ

1. Mettre l'interrupteur MARCHÉ/ARRÉT en position d'ARRÊT (O) et attendre 10 secondes (2 minutes si l'appareil a fonctionné).
2. Répéter les opérations indiquées page 5 sous la rubrique *Mise en marche de L'appareil*.



Figure 5 - Interrupteur MARCHÉ/ARRÉT, Modèles B35CEH et B70CEH

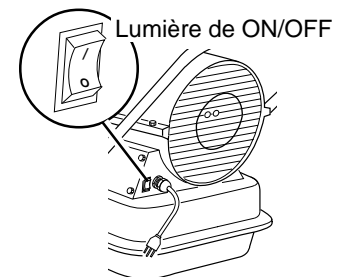


Figure 6 - Interrupteur MARCHÉ/ARRÉT, Modèles B100CEH et B150CEH

APPAREILS DE CHAUFFAGE INDIVIDUELS À AIR FORCÉ

ENTREPOSAGE, TRANSPORT OU EXPÉDITION

Remarque: les sociétés de transport exigent que les réservoirs de combustible soient vides pour l'expédition.

1. Vidanger le réservoir de combustible.
Remarque: certains modèles sont équipés d'un bouchon de vidange au-dessous du réservoir. Le cas échéant, le retirer pour vidanger le réservoir. Si l'appareil de chauffage n'en est pas équipé, vidanger le réservoir par l'orifice de remplissage. Veiller à vider complètement le réservoir.
2. Le cas échéant, replacer le bouchon de vidange.
3. Si le vieux carburant contient des impuretés, ajouter 1 ou 2 litres de kérosène propre, remuer et vidanger à nouveau afin d'éviter que l'accumulation d'impuretés n'obstrue les filtres lors d'un futur usage.
4. Remettre le bouchon de vidange ou de remplissage. Mettre le vieux carburant sale au rebut selon une méthode appropriée. Se renseigner auprès d'une station-service locale qui recycle l'huile.
5. Entreposer l'appareil de chauffage dans un endroit sec, à l'abri de la poussière et des vapeurs corrosives.

IMPORTANT: ne pas entreposer le kérosène pour la durée de l'été en vue de l'utiliser la saison suivante. L'usage de combustible défraîchi pourrait endommager l'appareil de chauffage.

TABLEAU D'ENTRETIEN PRÉVENTIF

⚠ AVERTISSEMENT: Ne jamais effectuer l'entretien de l'appareil de chauffage s'il est branché, en marche ou chaud. Cela peut entraîner des brûlures graves ou l'électrocution.

Élément	Périodicité	Opération
Réservoir de carburant	Rincer toutes les 150 à 200 heures de fonctionnement ou selon le besoin	Voir <i>Entreposage, Transport ou Expédition</i> ci-dessus
Filtres de sortie d'air et à peluche	Remplacer toutes les 500 heures de fonctionnement ou une fois par an	Voir <i>Filtres de sortie d'air, d'entrée d'air et à peluche</i> , page 11
Filtre d'entrée d'air	Le laver à l'eau savonneuse et le sécher toutes les 500 heures de fonctionnement ou selon le besoin	Voir <i>Filtres de sortie d'air, d'entrée d'air et à peluche</i> , page 11
Filtre à carburant	Le nettoyer deux fois par période de chauffage ou selon le besoin	Voir <i>Filtre à carburant</i> , page 9
Allumeur	Aucun entretien requis	
Pales du ventilateur	Les nettoyer chaque saison ou selon le besoin	Voir <i>Ventilateur</i> , page 14
Moteur	Aucun entretien nécessaire. Lubrification permanente	

DÉPANNAGE

⚠ AVERTISSEMENT: Ne jamais effectuer l'entretien de l'appareil de chauffage s'il est branché, en marche ou chaud. Cela peut entraîner des brûlures graves ou l'électrocution.

RADIATEUR À ASSEMBLAGE DE COMMANDE D'ALLUMAGE AVEC OU SANS FUSIBLE

ANOMALIE OBSERVÉE

CAUSE PROBABLE

REMÈDE

Le moteur ne démarre pas dans les cinq secondes après le branchement de l'appareil de chauffage
(Lumière ON/OFF demeure allumée)

1. Mauvaise connexion électrique entre le moteur et la commande d'allumage ou entre la commande d'allumage et le cordon électrique

1. Vérifier tous les branchements électriques. Voir *Schéma électrique*, page 15

⚠ AVERTISSEMENT: Haute tension!

2. Grippage du rotor de la pompe
3. Commande d'allumage défectueuse
4. Moteur défectueux

2. Si le ventilateur tourne avec difficulté, voir *Rotor de la pompe*, page 15
3. Remplacer la commande d'allumage
4. Remplacer le moteur

Le moteur démarre et tourne, mais l'appareil ne s'allume pas
(Lumière ON/OFF demeure allumée)

1. Pas de combustible dans le réservoir
2. Pression incorrecte de la pompe
3. Filtre à combustible encrassé
4. Gicleur obstrué
5. Eau dans le réservoir de combustible

1. Remplir le réservoir avec du kérosène
2. Voir *Réglage de la pression de la pompe*, page 11
3. Voir *Filtre à carburant*, page 9
4. Voir *Gicleur*, page 12
5. Vidanger et rincer le réservoir de combustible avec du kérosène propre. Voir *Entreposage, transport ou expédition*, page 6

⚠ AVERTISSEMENT: Haute tension!

6. Mauvaise connexion électrique entre l'allumeur et la commande d'allumage
7. Allumeur défectueux
8. Commande d'allumage défectueuse

6. Vérifier les connexions électriques. Voir *Schéma électrique*, page 15
7. Remplacer l'allumeur, voir page 10
8. Remplacer la commande d'allumage

L'appareil s'allume mais la commande d'allumage l'arrête après quelques instants
(Lumière ON/OFF demeure allumée)

1. Pression incorrecte de la pompe
2. Filtres d'entrée d'air, de sortie d'air ou à peluche encrassés
3. Filtre à combustible sale
4. Gicleur obstrué
5. Cellule photoélectrique mal installée (ne voit pas la flamme)

1. Voir *Réglage de la pression de la pompe*, page 11
2. Voir *Filtres de sortie d'air, d'entrée d'air et à peluche*, page 11
3. Voir *Filtre à carburant*, page 9
4. Voir *Gicleur*, page 12
5. S'assurer que l'enveloppe de la cellule photoélectrique est bien logée dans le support

⚠ AVERTISSEMENT: Haute tension!

6. Lentille de cellule photoélectrique sale
7. Mauvaise connexion électrique entre la cellule photoélectrique et la commande d'allumage
8. Cellule photoélectrique défectueuse
9. Commande d'allumage défectueuse

6. Nettoyer la lentille de la cellule photoélectrique
7. Vérifier les connexions électriques. Voir *Schéma électrique*, page 15
8. Remplacer la cellule photoélectrique
9. Remplacer la commande d'allumage

Voir Page Suivante

APPAREILS DE CHAUFFAGE INDIVIDUELS À AIR FORCÉ

DÉPANNAGE

Suite

RADIATEUR À ASSEMBLAGE DE COMMANDE D'ALLUMAGE SANS FUSIBLE SEULEMENT

ATTENTION: Le réglage d'allumage à été construit avec une protection intégrée contre les surcharges. Servez-vous de la lumière de ON/OFF pour dépister la condition de défaut.

ANOMALIE OBSERVÉE	CAUSE PROBABLE	REMÈDE
La lumière de ON/OFF ne s'allume pas lorsque le commutateur est mis à la position ON (I) et le radiateur ne fonctionne pas	1. Aucun courant au radiateur	1. S'assurer que le cordon électrique est branché sur une prise de courant et que coupe-circuit du panneau électrique est remis à l'état initial
	⚠ AVERTISSEMENT: Haute tension!	
	2. Mauvaises connexions électriques	2. Vérifier le câblage électrique et les connexions. Voir <i>schéma de câblage</i> , page 15
La lumière de ON/OFF s'allume lorsque le commutateur est mis à la position ON (I) mais elle s'éteint après cinq secondes	3. Court-circuit dans l'allumeur	3. Vérifier la câblage de l'allumeur. En l'absence de problème, remplacer l'allumeur (voir page 10)
	⚠ AVERTISSEMENT: Haute tension!	
La lumière de ON/OFF s'allume lorsque le commutateur est mis à la position ON (I) mais elle s'éteint après cinq secondes	1. Court-circuit au moteur	1. Vérifier le câblage du moteur. En l'absence de problème, remplacer le moteur
	⚠ AVERTISSEMENT: Haute tension!	

PROCÉDURES D'ENTRETIEN

⚠ AVERTISSEMENT: Ne jamais effectuer l'entretien de l'appareil de chauffage s'il est branché, en marche ou chaud. Cela peut entraîner des brûlures graves ou l'électrocution.

DÉPOSE DU COUVERCLE

1. Enlever les vis se trouvant de chaque côté de l'appareil à l'aide d'une clé à douille de 5/16 po. Ces vis retiennent le couvercle sur le boîtier.
2. Enlever le couvercle.
3. Retirer la grille de protection du ventilateur.

FILTRE À CARBURANT (Modèles B35CEH et B70CEH)

1. Retirer les vis du panneau latéral à l'aide d'une clé à douille de 5/16 po.
2. Déposer le panneau latéral.
3. Détacher la conduite de carburant en caoutchouc de l'embase du filtre à carburant.
4. Soulever avec précaution la bague et le filtre à carburant hors du réservoir de carburant.
5. Laver le filtre à carburant avec du carburant propre et le remettre dans le réservoir.
6. Brancher la conduite de carburant en caoutchouc sur l'embase du filtre à carburant.
7. Remonter le panneau latéral.

FILTRE À CARBURANT (Modèles B100CEH et B150CEH)

1. Retirer les vis du couvercle latéral à l'aide d'une clé à douille de 5/16 po.
2. Enlever le couvercle latéral.
3. Sortir la conduite de carburant supérieure du goulot du filtre à carburant.
4. Avec précaution, dégager le manchon, la conduite à carburant inférieure et le filtre à carburant du réservoir.
5. Nettoyer le filtre avec du carburant propre et le replacer dans le réservoir.
6. Rebrancher la conduite à carburant supérieure sur le goulot du filtre.
7. Remonter le couvercle latéral.

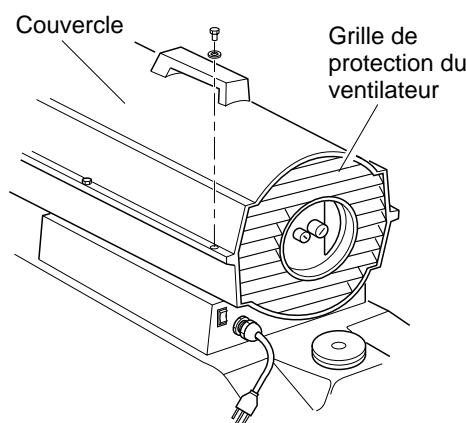


Figure 7 - Dépose du couvercle, Modèles B35CEH et B70CEH

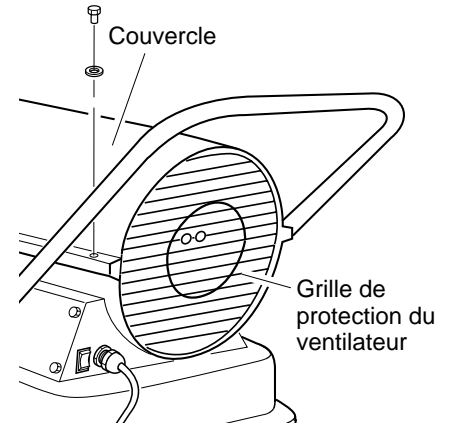


Figure 8 - Dépose du couvercle, Modèles B100CEH et B150CEH

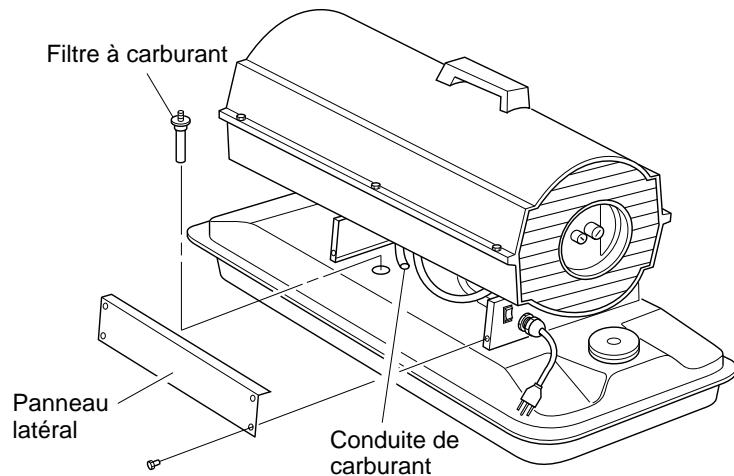


Figure 9 - Dépose du filtre à carburant, Modèles B35CEH et B70CEH

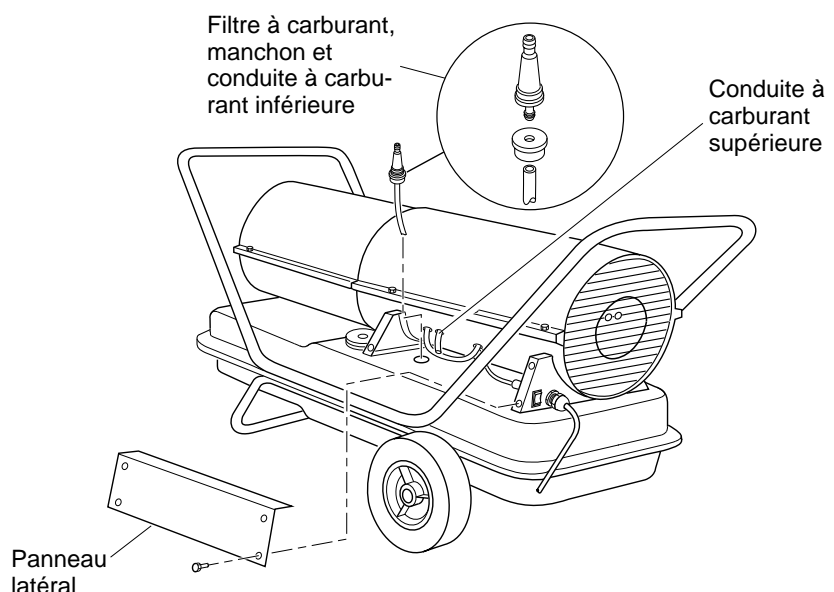


Figure 10 - Dépose du filtre à carburant, Modèles B100CEH et B150CEH

Voir Page Suivante

APPAREILS DE CHAUFFAGE INDIVIDUELS À AIR FORCÉ

PROCÉDURES D'ENTRETIEN

Suite

ALLUMEUR

1. Retirer le couvercle et la grille de protection du ventilateur (voir page 9).
2. Retirer le ventilateur (voir page 14).
3. Enlever les 4 vis du panneau latéral à l'aide d'une clé à douille de 5/16 po. Déposer le panneau latéral. (voir figure 9 ou 10, page 9).
4. Débrancher les fils de l'allumeur (noir) de la commande d'allumage (voir figure 11). Tirer les fils de l'allumeur vers le haut par le trou du boîtier.
5. Débrancher les flexibles des conduites de combustible et d'air. Enlever la cellule photoélectrique de son support (voir figure 11).

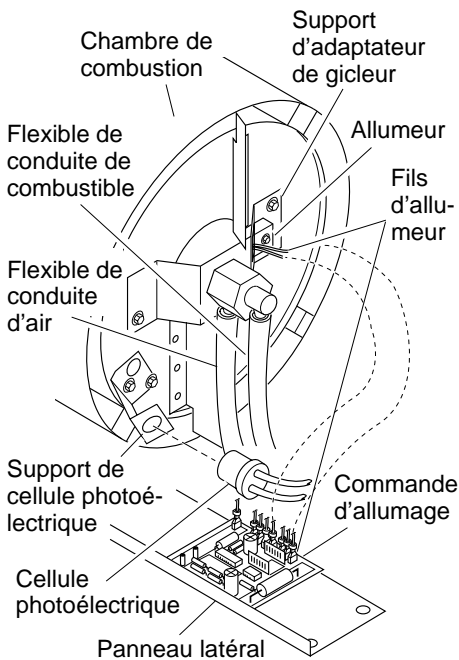


Figure 11 - Débranchement des fils d'allumeur de la commande d'allumage

6. Retirer la chambre de combustion. Dresser la chambre de combustion sur une extrémité avec le support de l'adaptateur du gicleur en haut (voir figure 12).
7. Enlever la vis de l'allumeur avec une clé à douille de 1/4 po. Avec précaution, retirer l'allumeur du support de l'adaptateur du gicleur.

⚠ ATTENTION: Éviter de plier ou de heurter l'élément allumeur. Le manipuler avec précaution.

8. Avec précaution, enlever l'allumeur de rechange de l'emballage en styromousse.
9. Avec précaution, guider l'allumeur dans l'ouverture du support de l'adaptateur de gicleur. Éviter de heurter l'élément allumeur. Fixer l'allumeur au support de l'adaptateur de gicleur avec une vis à l'aide d'une clé à douille de 1/4 po (voir figure 12). Serrer de 0,90 N.m à 1,69 Nm (8 à 15 lb-po) sans excès.

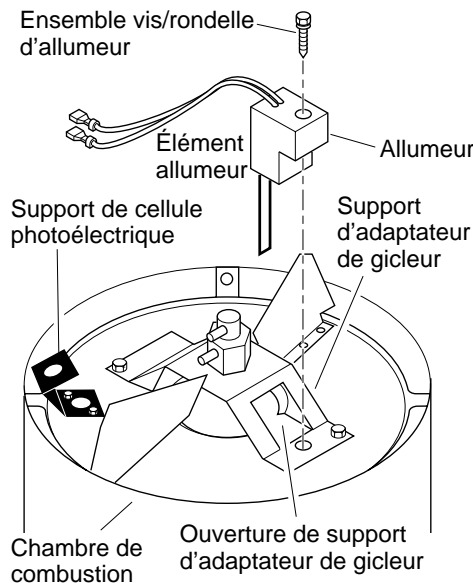


Figure 12 - Remplacement de l'allumeur

10. Remonter la chambre de combustion.
11. Ramener les fils de l'allumeur vers le bas par le trou du boîtier. Brancher les fils à la commande d'allumage.
12. Remonter le panneau latéral. (Voir figure 9 ou 10, page 9).
13. Raccorder et acheminer les flexibles des conduites de combustible et d'air au brûleur. Voir *Remplacement et acheminement correct des conduites de combustible et d'air*, page 12.
14. Remettre la cellule photoélectrique dans son support. Acheminer les fils comme illustré à la figure 17, 18 ou 19, page 12.
15. Remonter le ventilateur (voir page 14).
16. Remonter la grille de protection du ventilateur et le couvercle (voir page 9).

PROCÉDURES D'ENTRETIEN

Suite

FILTRES DE SORTIE D'AIR, D'ENTRÉE D'AIR ET À PELUCHE

1. Déposer le couvercle (voir page 9).
2. Retirer les vis du cache-filtre à l'aide d'une clé à douille de 5/16 po.
3. Déposer le cache-filtre.
4. Remplacer les filtres de sortie d'air et à peluche.
5. Laver ou remplacer le filtre d'entrée d'air (voir *Tableau d'entretien préventif* page 6).
6. Remonter le cache-filtre.
7. Remonter la grille de protection du ventilateur et le couvercle.

IMPORTANT: Ne pas huiler les filtres.

RÉGLAGE DE LA PRESSION DE LA POMPE

1. Retirer le bouchon du trou du manomètre du cache-filtre.
2. Installer le manomètre (numéro de pièce HA1180).
3. Mettre l'appareil en marche (voir *Fonctionnement* page 5). Attendre que le moteur atteigne son régime maximum.
4. Régler la pression Tourner le clapet de décharge vers la droite pour augmenter la pression et vers la gauche Consulter les spécifications ci-contre pour déterminer la pression requise par chaque modèle.
5. Retirer le manomètre et remettre le bouchon du trou du manomètre sur le cache-filtre.

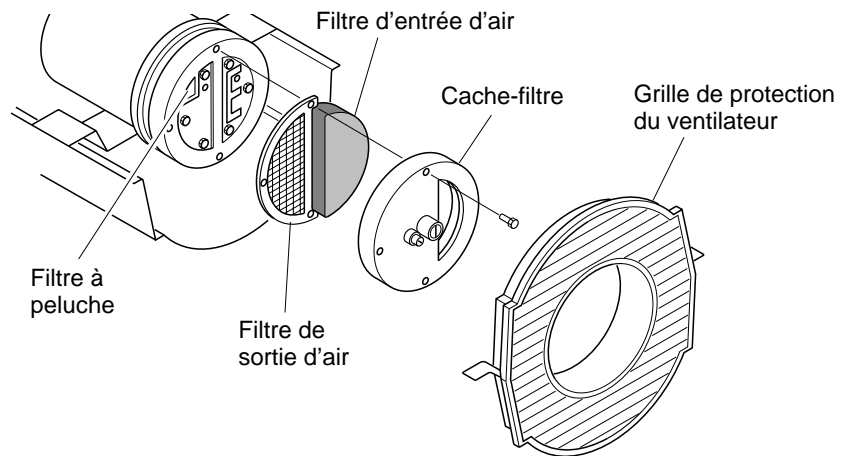


Figure 13 - Filtres de sortie d'air, d'entrée d'air et à peluche, Modèles B35CEH et B70CEH

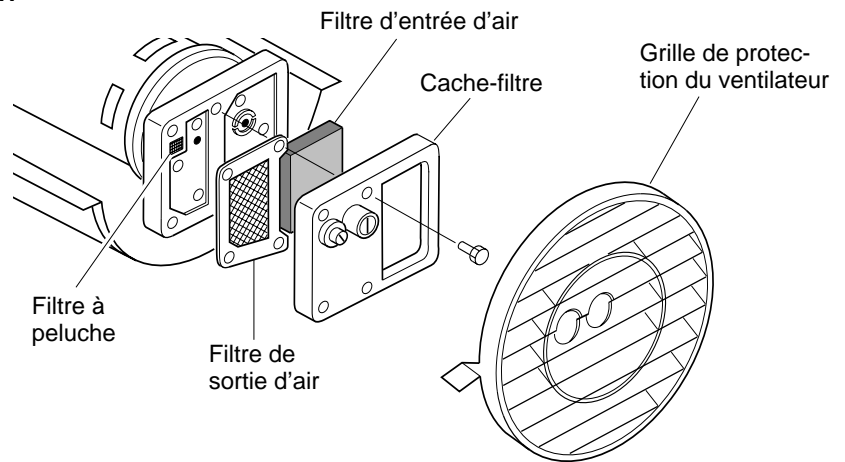


Figure 14 - Filtres de sortie d'air, d'entrée d'air et à peluche, Modèles B100CEH et B150CEH

Bouchon de manomètre

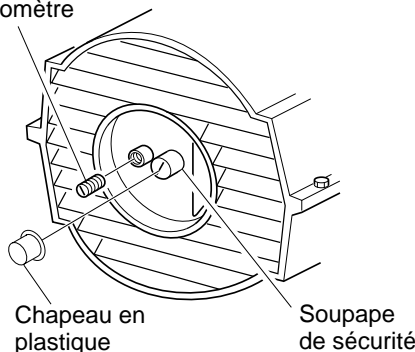


Figure 15 - Dépose du bouchon du trou du manomètre (Modèles B35CEH et B70CEH illustré)

Modèle	Pression de la pompe
B35CEH	0,200 bar
B70CEH	0,338 bar
B100CEH	0,338 bar
B150CEH	0,380 bar

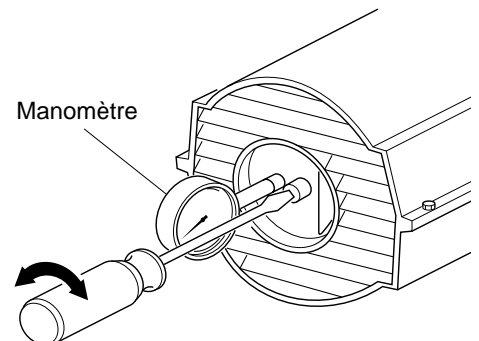


Figure 16 - Réglage de la pression de la pompe

Voir Page Suivante

APPAREILS DE CHAUFFAGE INDIVIDUELS À AIR FORCÉ

PROCÉDURES D'ENTRETIEN

Suite GICLEUR

1. Retirer le couvercle (voir page 9).
2. Retirer le ventilateur (voir page 14).
3. Enlever les flexibles des conduites de combustible et d'air du gicleur (voir figure 17, 18 ou 19).
4. Tourner le gicleur d'un quart de tour vers la gauche et le tirer vers le moteur pour l'enlever (voir figure 20).
5. Placer le corps hexagonal en plastique dans un étau et serrer légèrement.
6. Avec précaution, retirer le gicleur de son adaptateur à l'aide d'une clé à douille de 5/8 po (voir figure 21).
7. Souffler de l'air comprimé au travers du gicleur par l'avant pour éliminer toutes les impuretés.
8. Vérifier que le joint du gicleur n'est pas endommagé.
9. Replacer le gicleur dans son adaptateur en veillant à ce qu'il soit bien en place. Serrer d'un tiers de tour supplémentaire à l'aide d'une clé à douille de 5/8 po de 4,5 à 5,1 Nm (40 à 45 po-lb). Voir figure 21.
10. Remonter l'ensemble de gicleur sur la bride de montage de brûleur.
11. Raccorder les flexibles des conduites de combustible et d'air au gicleur. Voir *Remplacement et acheminement correct des conduites de combustible et d'air*.
12. Remonter le ventilateur (voir page 14).
13. Remonter la grille de protection du ventilateur et le couvercle (voir page 9).

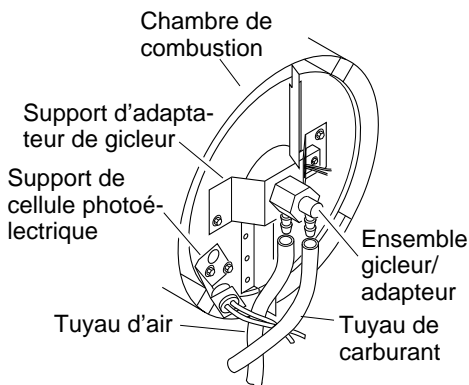


Figure 17 - Dépose des flexibles des conduites de combustible et d'air (modèles B35CEH et B70CEH uniquement)

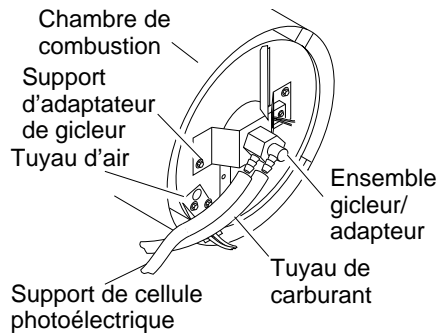


Figure 18 - Dépose des flexibles des conduites de combustible et d'air (Modèle B100CEH uniquement)

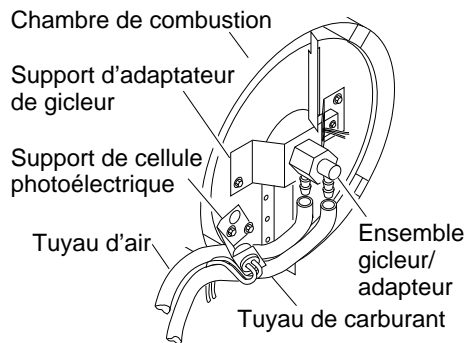


Figure 19 - Dépose des flexibles des conduites de combustible et d'air (Modèle B150CEH uniquement)

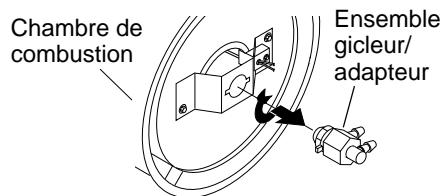


Figure 20 - Dépose de l'ensemble gicleur-adaptateur

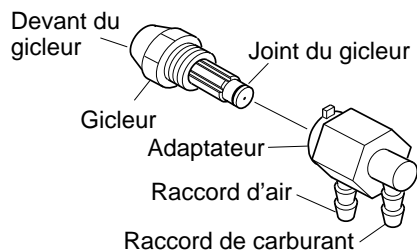


Figure 21 - Gicleur et son adaptateur

REPLACEMENT ET ACHEMINEMENT CORRECT DES CONDUITES DE COMBUSTIBLE ET D'AIR

1. Retirer le couvercle (voir page 9).
2. Enlever les vis du panneau latéral à l'aide d'une clé à douille de 5/16 po.
3. Déposer le panneau latéral.
4. Vérifier que les flexibles des conduites de combustible et d'air ne sont ni fendillés ni troués. Si le flexible de combustible est endommagé, le débrancher de l'adaptateur de gicleur (voir figure 17, 18 ou 19) et du filtre à combustible (voir page 9). Si le flexible d'air est endommagé, le débrancher de l'adaptateur de gicleur (voir figure 17, 18 ou 19) et du raccord à griffes du couvercle d'extrémité de la pompe (voir figure 22).
5. Installer une conduite d'air et/ou de combustible neuve. Raccorder une extrémité du flexible d'air au raccord à griffes du couvercle d'extrémité de la pompe (voir figure 22) et l'autre à l'adaptateur de gicleur (voir figure 17, 18 ou 19). Raccorder une extrémité du flexible de combustible au filtre à combustible (voir page 9) et l'autre à l'adaptateur de gicleur (voir figure 17, 18 ou 19).

Pour les modèles B35CEH et B70CEH, acheminer les conduites de combustible et d'air à peu près comme illustré à la figure 17.

Remarque: Les flexibles ne doivent pas toucher le support de la cellule photoélectrique.

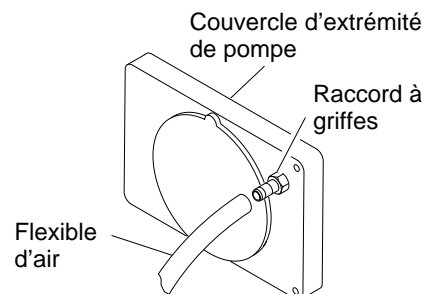


Figure 22 - Flexible d'air au raccord à griffes

PROCÉDURES D'ENTRETIEN

Suite

Pour le modèle B100CEH, acheminer les conduites de combustible et d'air à peu près comme illustré à la figure 18, page 12.

Remarque : Les flexibles ne doivent pas toucher le support de la cellule photoélectrique.

Pour le modèle B150CEH, acheminer les conduites de combustible et d'air à peu près comme illustré à la figure 19, page 12.

Remarque : Les flexibles ne doivent pas toucher le support de la cellule photoélectrique.

6. Remonter le panneau latéral.
7. Remonter le couvercle et la grille de protection du ventilateur (voir page 9).

ROTOR DE LA POMPE (Procédure en cas de grippage)

1. Déposer le couvercle (voir page 9).
2. Retirer les vis du cache-filtre à l'aide d'une clé à douille de 5/16 po.
3. Déposer le cache-filtre et les filtres à air.
4. Retirer les vis de la plaque de la pompe à l'aide d'une clé à douille de 5/16 po.
5. Déposer la plaque de la pompe.
6. Enlever rotor, pièce encastrée et pales.
7. Vérifier s'il y a des corps étrangers dans la pompe. S'il y en a, les chasser à l'air comprimé.
8. Installer la pièce encastrée et le rotor.
9. Vérifier le dégagement du rotor. Si nécessaire, le régler de 0,076 à 0,101 mm (.003 à .004 po) (voir figure 25).

Remarque : Faire faire un tour complet au moteur pour s'assurer que l'écart à l'endroit le plus serré est de 0,076 à 0,101 mm (.003 à .004 po). Refaire le réglage si nécessaire.

10. Remonter pales, plaque de pompe, filtres à air et cache-filtre.
11. Remonter la grille de protection et le couvercle.
12. Régler la pression de la pompe (voir page 11).

Remarque : Si le rotor est toujours grippé, procéder comme suit.

13. Effectuer les opérations 1 à 6 ci-dessus.
14. Placer une feuille de papier de verre fin (600) sur une surface plate. Poncer légèrement le rotor sur la feuille d'un mouvement en forme de "8" (voir figure 26). Répéter quatre fois.
15. Remonter la pièce encastrée et le rotor.
16. Effectuer les opérations 10 à 12 ci-dessus.

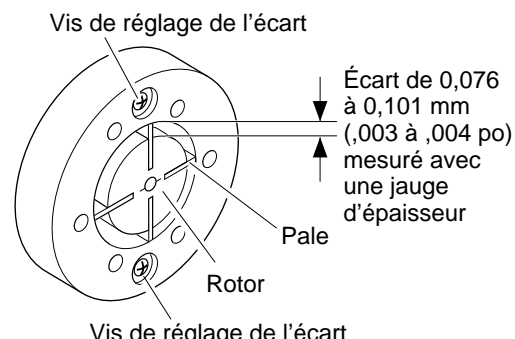


Figure 25 - Emplacement des vis de réglage de l'écart

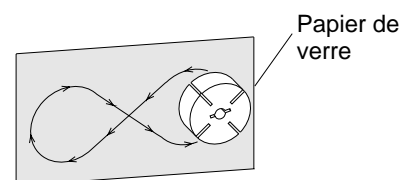


Figure 26 - Ponçage du rotor

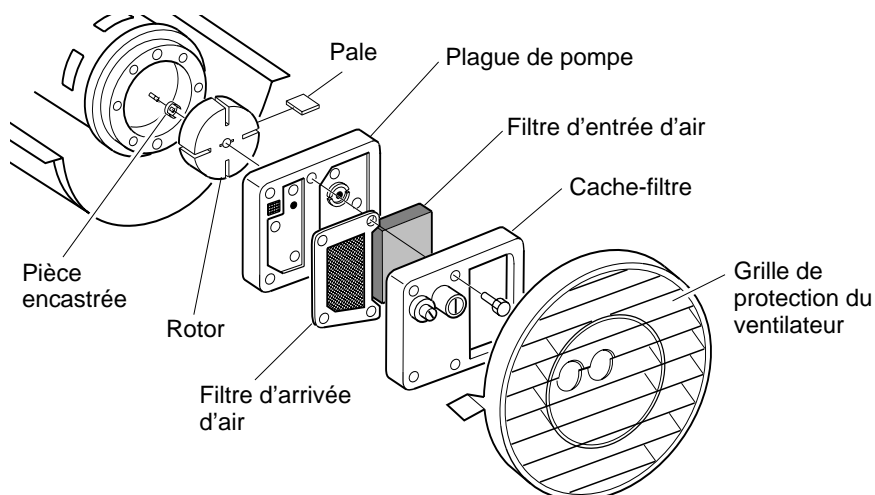


Figure 24 - Emplacement du rotor, Modèles B100CEH et B150CEH

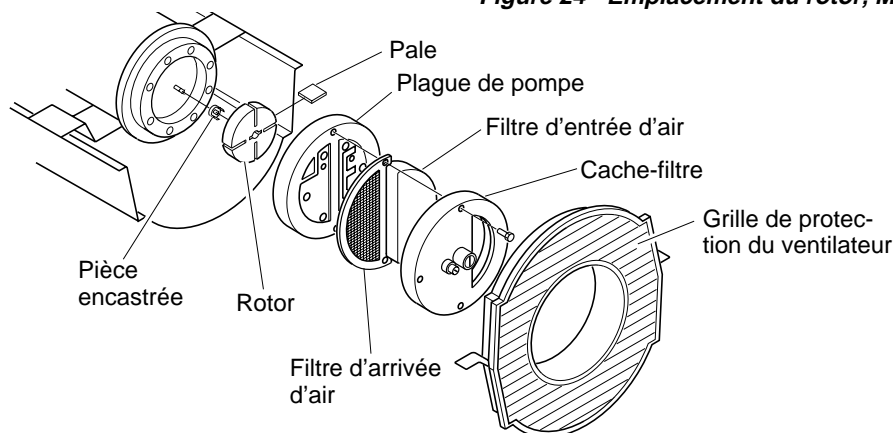


Figure 23 - Emplacement du rotor, Modèles B35CEH et B70CEH

Voir Page Suivante

APPAREILS DE CHAUFFAGE INDIVIDUELS À AIR FORCÉ

PROCÉDURES D'ENTRETIEN

Suite

VENTILATEUR

IMPORTANT: Retirer le ventilateur de l'arbre du moteur avant de retirer ce dernier de l'appareil. Le poids du moteur sur le ventilateur peut en fausser les pales.

1. Déposer le couvercle (voir page 9).
2. Utiliser une clé coudée de 1/8 po pour desserrer la vis d'arrêt qui maintient le ventilateur sur l'arbre du moteur.
3. Retirer le ventilateur en le faisant glisser sur l'arbre du moteur.
4. Nettoyer le ventilateur avec un chiffon propre préalablement mouillé avec du kérosène ou du diluant.
5. Sécher complètement le ventilateur.
6. Replacer le ventilateur sur l'arbre du moteur. Placer le moyeu du ventilateur au ras de l'extrémité de l'arbre du moteur (voir figure 28).
7. Positionner la vis d'arrêt sur le méplat de l'arbre. La serrer fermement (de 4,5 à 5,6 Nm/40 à 50 lb-po).
8. Remonter la grille de protection du ventilateur et le couvercle.

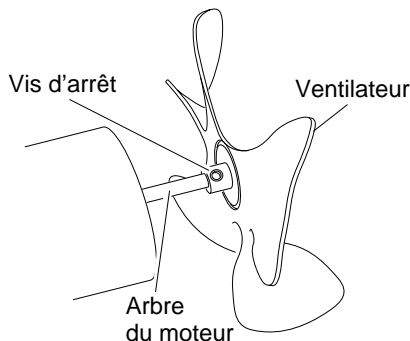


Figure 27 - Emplacement du ventilateur, de l'arbre du moteur et de la vis d'arrêt

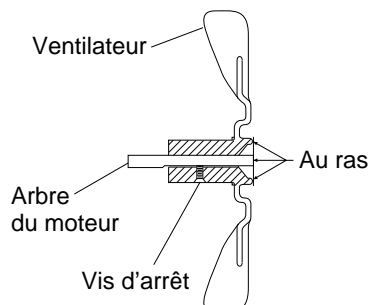


Figure 28 - Coupe du ventilateur

COMMANDE D'ALLUMAGE

AVERTISSEMENT: Débrancher l'appareil de chauffage avant de faire son entretien.

Dépose des pièces existantes

1. À l'aide d'une clé à douille de 5/16 po, retirer les quatre vis du panneau latéral (voir Figure 29).
2. Débrancher les neuf fils de la commande d'allumage.
3. À l'aide d'une pince à bec de canard, pincer l'ergot situé sur le support de la carte à circuit imprimé et lever la commande d'allumage en la saisissant par le bord (voir Figure 30). Procéder de même pour les quatre autres supports de la carte à circuit imprimé puis retirer la commande.

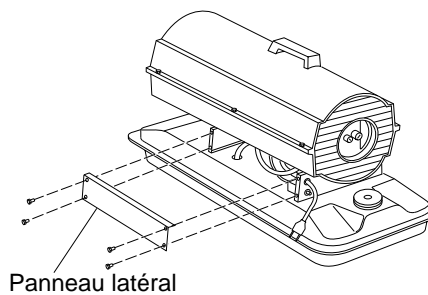


Figure 29 - Retrait du panneau latéral

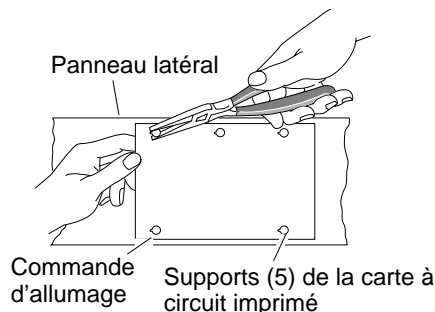


Figure 30 - Retrait de la carte à circuit imprimé

Installation des pièces neuves

ATTENTION: La commande d'allumage contient des éléments électrostatiques. Saisir l'ensemble par les bords de la carte à circuit imprimé. Ne toucher aucune des cosses à clips ni aucun des éléments électroniques.

1. Aligner les cinq trous de l'ensemble sur les cinq supports de la carte à circuit imprimé, sur le panneau latéral.
2. Tout en maintenant l'ensemble par les bords de la carte à circuit imprimé, exercer une pression vers le bas jusqu'à ce que les cinq ergots de support de la carte s'engagent à leur place. Tirer sur l'ensemble pour vérifier la fixation (voir Figure 31).
3. Connecter les connexions à neuf fils à l'assemblage du réglage d'allumage tel que montré sur le schéma de câblage à la page 15.

ATTENTION: Bien vérifier les connexions. Un câblage incorrect risquerait d'endommager la commande d'allumage et/ou d'autres éléments de l'appareil de chauffage.

4. À l'aide de la clé à douille de 5/16 po, remonter le panneau latéral sur l'appareil de chauffage. Serrer modérément les vis. Éviter tout serrage excessif !

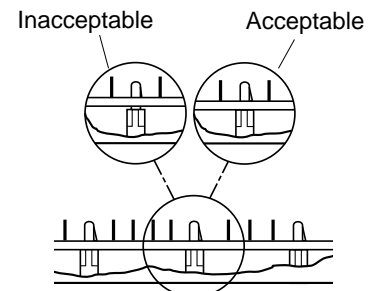
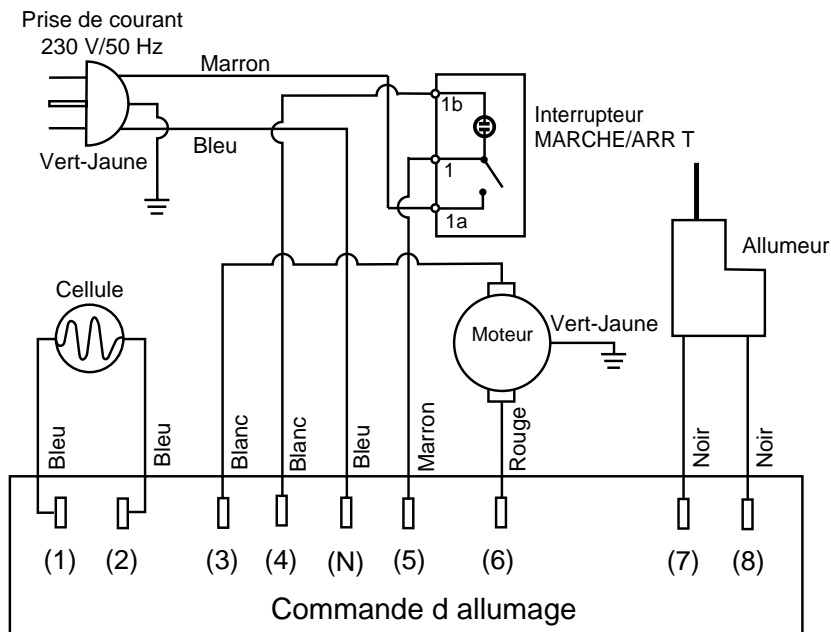


Figure 31 - Fixation de la carte à circuit imprimé sur les ergots

SPÉCIFICATIONS

Puissance Calorifique Kcal	8 800	17 500	25 000	38 000
Combustible	Ne se servir que de kérosène ou de fioul no. 1			
Capacité Du Reservoir Fuel (L.)	11,4	18,9	34	51,1
Consommation Fuel L/H	1,1	1,97	3,0	4,1
Tension-V (Courant Monophasé)	230	230	230	230
Cycle	50	50	50	50
Ampérage	0,8	1,0	1,2	1,2
Débit D'air-m ³ /M	4,0	6,4	12	14,2
Régime Moteur Tr/mn	1425	2850	2850	2850

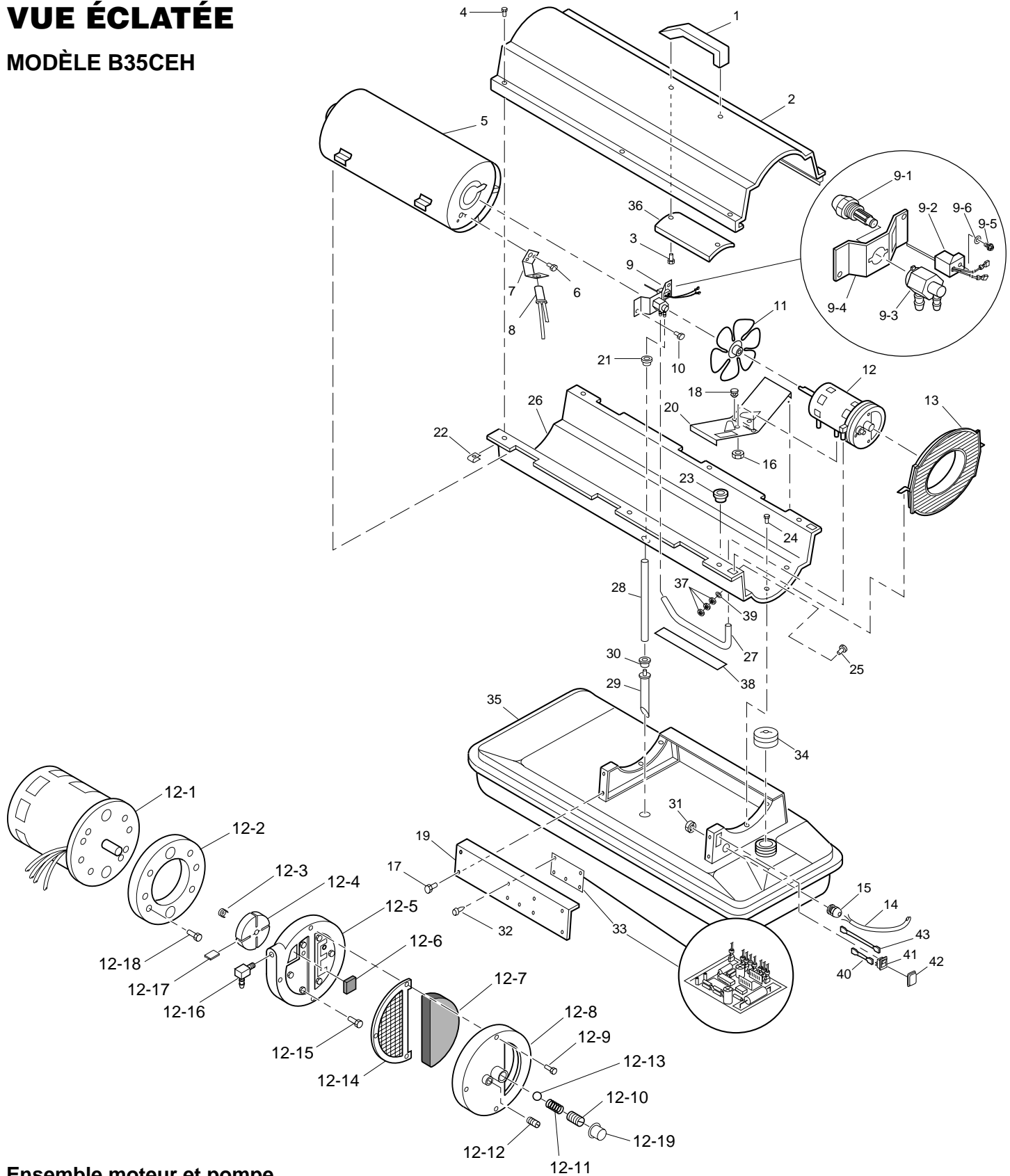
SCHÉMAS ÉLECTRIQUES



APPAREILS DE CHAUFFAGE INDIVIDUELS À AIR FORCÉ

VUE ÉCLATÉE

MODÈLE B35CEH



Ensemble moteur et pompe

MANUEL D'UTILISATION

LISTE DES PIÈCES

MODÈLE B35CEH

Cette liste comprend les pièces de l'appareil de chauffage qui peuvent être remplacées. Lors de la commande de pièces détachées, veiller à inclure le numéro de modèle et les numéros de série corrects (pris sur la plaque signalétique), puis le numéro de pièce et la désignation de la pièce désirée.

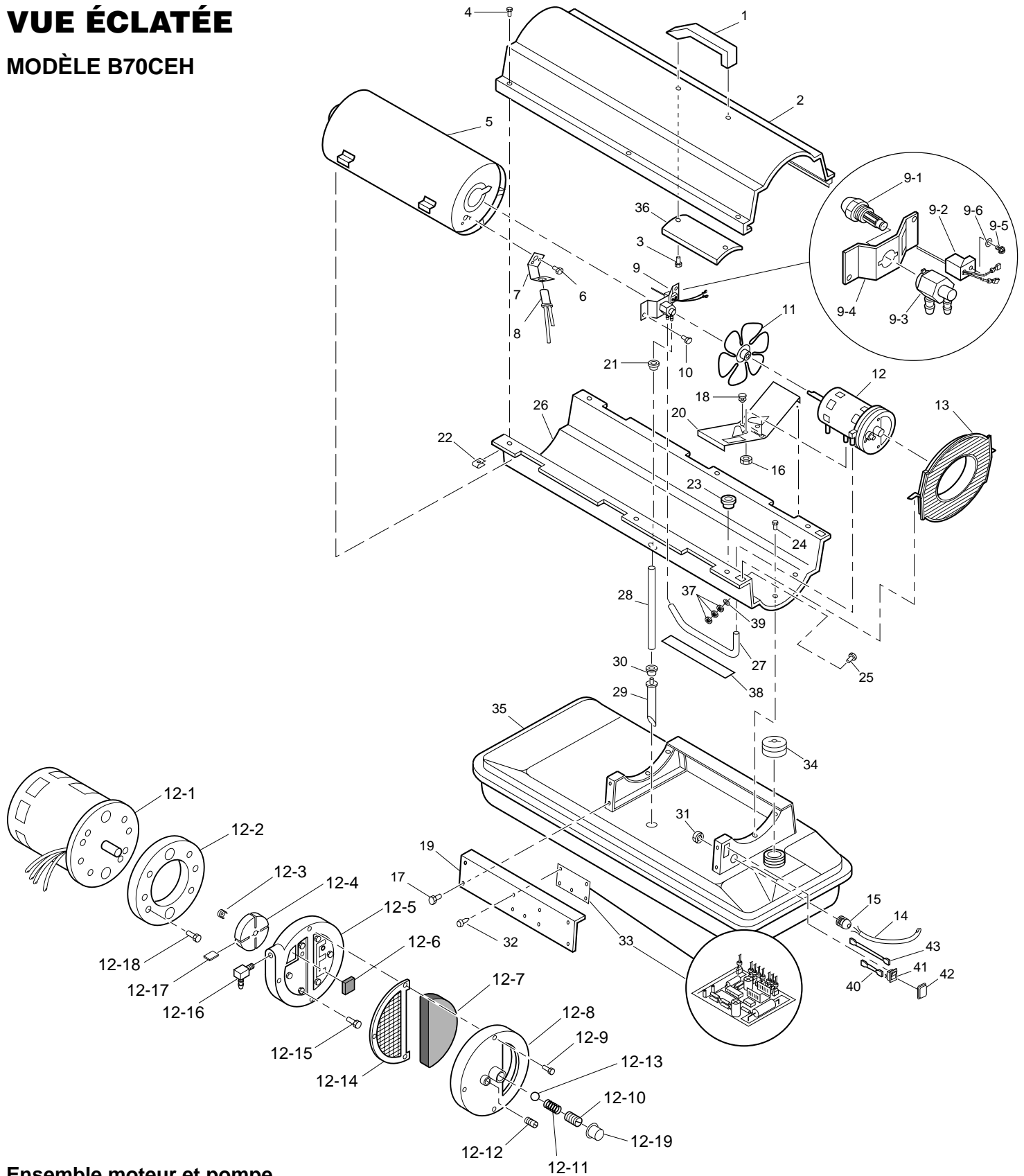
N° DE RÉF	NUMÉRO DU PIÈCE	DESIGNATION	QTÉ	N° DE RÉF	NUMÉRO DU PIÈCE	DESIGNATION	QTÉ
1	M51104-01	Poignée	1	14	079673-07	Câble de puissance	1
2	098511-256	Couverture, haut	1	15	M50400	Bague, relâchement de tension	1
3	M11084-29	Vis, Hex Hd., #10-16 x 3/4"	2	16	NTC-4C	Ecrou, Hex	2
4	102432-01	Vis/rondelle frein, 1/2"	6	17	102431-01	Vis/rondelle frein, 1/2"	4
5	098512-63	Chambre de Combustion	1	18	M50631	Amortisseur, caoutchouc	2
6	M10908-2	Vis, #6-32 x 3/8"	2	19	097461-09	Couverture latérale	1
7	103154-03	Support de cellule photoélectrique	1	20	101205-01	Support, moteur	1
8	M16656-24	Ensemble, cellule	1	21	M30865-02	Bague	2
9	**	Support d'ensemble de brûleur	1	22	M11271-8	Ecrou, serrage	6
9-1	HA3006	Gicleur	1	23	M50104-02	Bague	2
9-2	102548-05	Kit d'allumeur	1	24	102431-01	Vis/rondelle frein, 1/2"	6
9-3	104056-01	Adaptateur de gicleur	1	25	RF3-4B	Vis, #10-32 x 1/2"	1
9-4	102336-01	Support d'adaptateur de gicleur	1	26	098511-237	Couverture inférieure	1
9-5	M10908-75	Vis, #6-32 x 7/8"	1	27	M50814-06	Ligne d'air	1
9-6	103347-01	Rondelle Belleville	1	28	M29652-05	Ligne d'alimentation combustible	1
10	102431-01	Vis/rondelle frein, 1/2"	2	29	108060-01	Filtre, ensemble	1
11	103684-01	Ventilateur	1	30	M10990-3	Bague, caoutchouc	1
12	**	Ensemble moteur et pompe	1	31	102861-01	Écrou de blocage en Nylon	1
12-1	102001-25	Moteur	1	32	102349-01	Support de carte PC	5
12-2	079975-03	Corps pompe	1	33	104068-04	Commande d'allumage	1
12-3	M22009	Pièce rapportée	1	34	097702-01	Bouchon, réservoir combustible	1
12-4	M22456-2	Rotor	1	35	108088-01	Réservoir combustible	1
12-5	M29608	Pompe, couverture extrémité	1	36	M51108-01	Écran de chaleur	1
12-6	M29632	Toile filtre	1	37	NPF-3B	Ecrou, #10-32	3
12-7	M29633	Filtre entrée	1	38	097785-01	Joint en mousse vinyle	1
12-8	M29609	Couverture filtre	1	39	WLE-3	Rondelle, #10	2
12-9	M12461-31	Vis, #10-32 x 1"	3	40	079010-39	Ensemble fil (marron)	2
12-10	M27694	Vis, d'ajustage	1	41	105793-01	Interrupteur MARCHE/ARRÊT	1
12-11	M10993-1	Ressort de relâchement	1	42	097919-01	Couvercle d'interrupteur	1
12-12	M22997	Prise	1	43	079010-40	Ensemble fil (blanc)	1
12-13	M8940	Bille acier 1/4 diameter	1	PIÈCES DISPONIBLES - NON ILLUSTRÉES			
12-14	M29612-01	Filtre sortie	1				
12-15	M12461-32	Vis, #10-32 x 1 1/8"	6		HA2210	Ecran, cou remplissage	1
12-16	103676-01	Coude 90°	1		103814-01	Serre-fils	1
12-17	M8643-2	Ailette, pompe	4		097649-01	Decal, Nom de marque	2
12-18	FHPF3-6C	Vis, #10-32 x 3/4"	2		106013-01	Jeu d'autocollants	1
12-19	105780-01	Chapeau en plastique	1		105880-01	Fusible	1
13	M51105-01	Garde de ventilateur	1				

** N'est pas disponible monté, commander les pièces séparément.

APPAREILS DE CHAUFFAGE INDIVIDUELS À AIR FORCÉ

VUE ÉCLATÉE

MODÈLE B70CEH



Ensemble moteur et pompe

MANUEL D'UTILISATION

LISTE DES PIÈCES

MODÈLE B70CEH

Cette liste comprend les pièces de l'appareil de chauffage qui peuvent être remplacées. Lors de la commande de pièces détachées, veiller à inclure le numéro de modèle et les numéros de série corrects (pris sur la plaque signalétique), puis le numéro de pièce et la désignation de la pièce désirée.

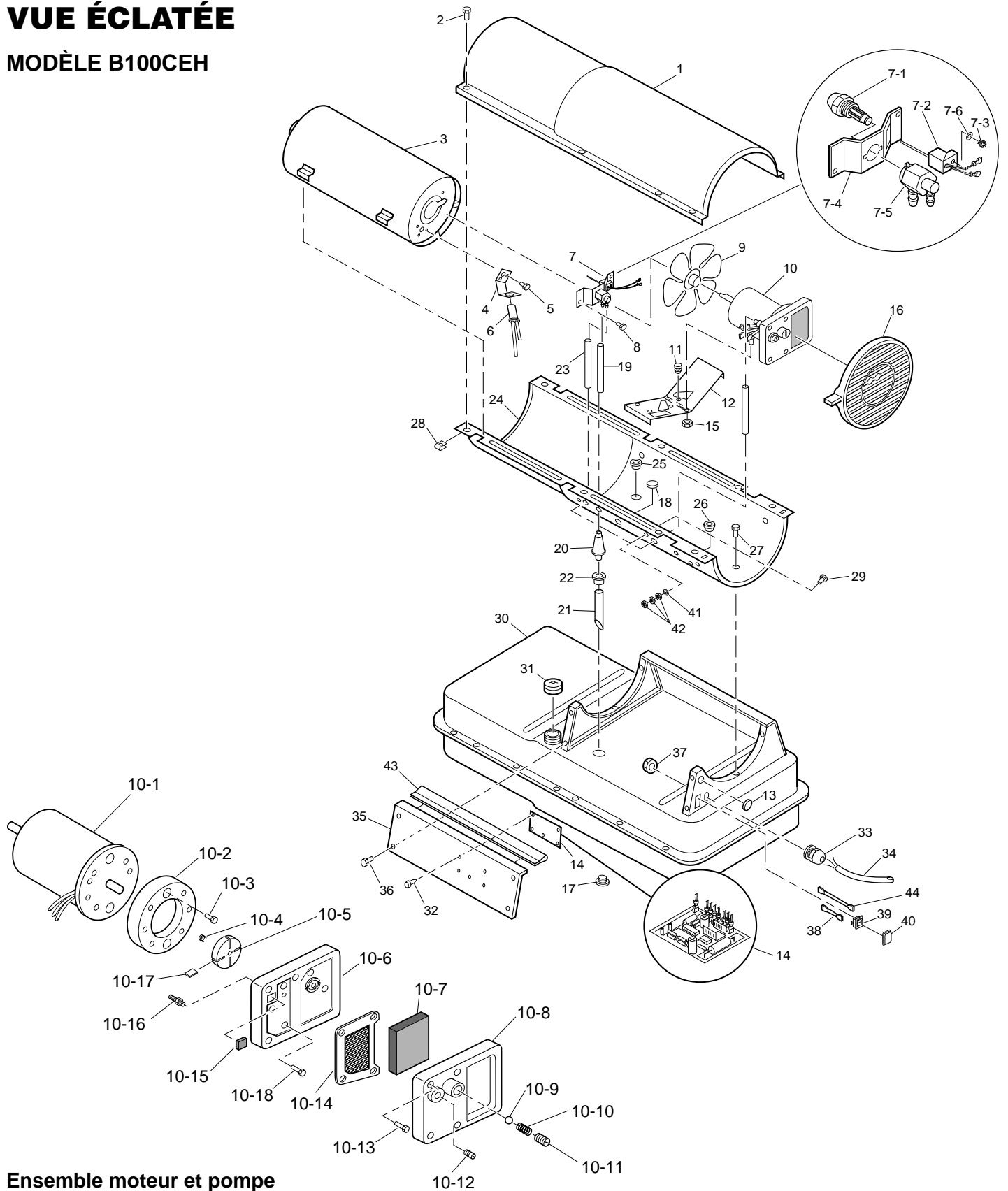
N° DE RÉF	NUMÉRO DU PIÈCE	DESIGNATION	QTÉ	N° DE RÉF	NUMÉRO DU PIÈCE	DESIGNATION	QTÉ
1	M51104-01	Poignée	1	14	079673-07	Câble de puissance	1
2	098511-256	Couverture, haut	1	15	M50400	Bague, relâchement de tension	1
3	M11084-29	Vis, Hex Hd., #10-16 x 3/4"	2	16	NTC-4C	Ecrou, Hex	2
4	102432-01	Vis/rondelle frein, 1/2"	6	17	102431-01	Vis/rondelle frein, 1/2"	4
5	098512-64	Chambre de Combustion	1	18	M50631	Amortisseur, caoutchouc	2
6	M10908-2	Vis, #6-32 x 3/8"	2	19	097461-09	Couverture latérale	1
7	103154-03	Support de cellule photoélectrique	1	20	101205-01	Support, moteur	1
8	M16656-24	Ensemble, cellule	1	21	M30865-02	Bague	1
9	**	Support d'ensemble de brûleur	1	22	M11271-8	Ecrou, serrage	6
9-1	HA3026	Gicleur	1	23	M50104-02	Bague	1
9-2	102548-05	Kit d'allumeur	1	24	102431-01	Vis/rondelle frein, 1/2"	6
9-3	104056-01	Adaptateur de gicleur	1	25	RF3-4B	Vis, #10-32 x 1/2"	1
9-4	102336-01	Support d'adaptateur de gicleur	1	26	098511-237	Couverture inférieure	1
9-5	M10908-75	Vis, #6-32 x 7/8"	1	27	M50814-06	Ligne d'air	1
9-6	103347-01	Rondelle Belleville	1	28	M29652-05	Ligne d'alimentation combustible	1
10	102431-01	Vis/rondelle frein, 1/2"	2	29	108060-03	Filtre, ensemble	1
11	103684-01	Ventilateur	1	30	M10990-3	Bague, caoutchouc	1
12	**	Ensemble moteur et pompe	1	31	102861-01	Écrou de blocage en Nylon	1
12-1	102001-23	Moteur	1	32	102349-01	Support de carte PC	5
12-2	079975-02	Corps pompe	1	33	104068-04	Commande d'allumage	1
12-3	M22009	Pièce rapportée	1	34	097702-01	Bouchon, réservoir combustible	1
12-4	M22456-1	Rotor	1	35	108088-03	Réservoir combustible	1
12-5	M29608	Pompe, couverture extrémité	1	36	M51108-01	Écran de chaleur	1
12-6	M29632	Toile filtre	1	37	NPF-3B	Ecrou, #10-32	3
12-7	M29633	Filtre entrée	1	38	097785-01	Joint en mousse vinyle	1
12-8	M29609	Couverture filtre	1	39	WLE-3	Rondelle, #10	1
12-9	M12461-31	Vis, #10-32 x 1"	3	40	079010-39	Ensemble fil (marron)	1
12-10	M27694	Vis, d'ajustage	1	41	105793-01	Interrupteur MARCHE/ARRÊT	1
12-11	M10993-1	Ressort de relâchement	1	42	079919-01	Couvercle d'interrupteur	1
12-12	M22997	Prise	1	43	079010-40	Ensemble fil (blanc)	1
12-13	M8940	Bille acier 1/4 diameter	1	PIÈCES DISPONIBLES - NON ILLUSTRÉES			
12-14	M29612-01	Filtre sortie	1				
12-15	M12461-31	Vis, #10-32 x 1"	6		HA2210	Ecran, cou remplissage	1
12-16	103676-01	Coude 90°	1		103814-01	Serre-fils	1
12-17	M8643	Ailette, pompe	4		097649-01	Decal, Nom de marque	2
12-18	FHPF3-5C	Vis, #10-32 x 5/8"	2		106013-02	Jeu d'autocollants	1
12-19	105780-01	Chapeau en plastique	1		105880-01	Fusible	1
13	M51105-01	Garde de ventilateur	1				

** N'est pas disponible monté, commander les pièces séparément.

APPAREILS DE CHAUFFAGE INDIVIDUELS À AIR FORCÉ

VUE ÉCLATÉE

MODÈLE B100CEH



Ensemble moteur et pompe

MANUEL D'UTILISATION

LISTE DES PIÈCES

MODÈLE B100CEH

Cette liste comprend les pièces de l'appareil de chauffage qui peuvent être remplacées. Lors de la commande de pièces détachées, veiller à inclure le numéro de modèle et les numéros de série corrects (pris sur la plaque signalétique), puis le numéro de pièce et la désignation de la pièce désirée.

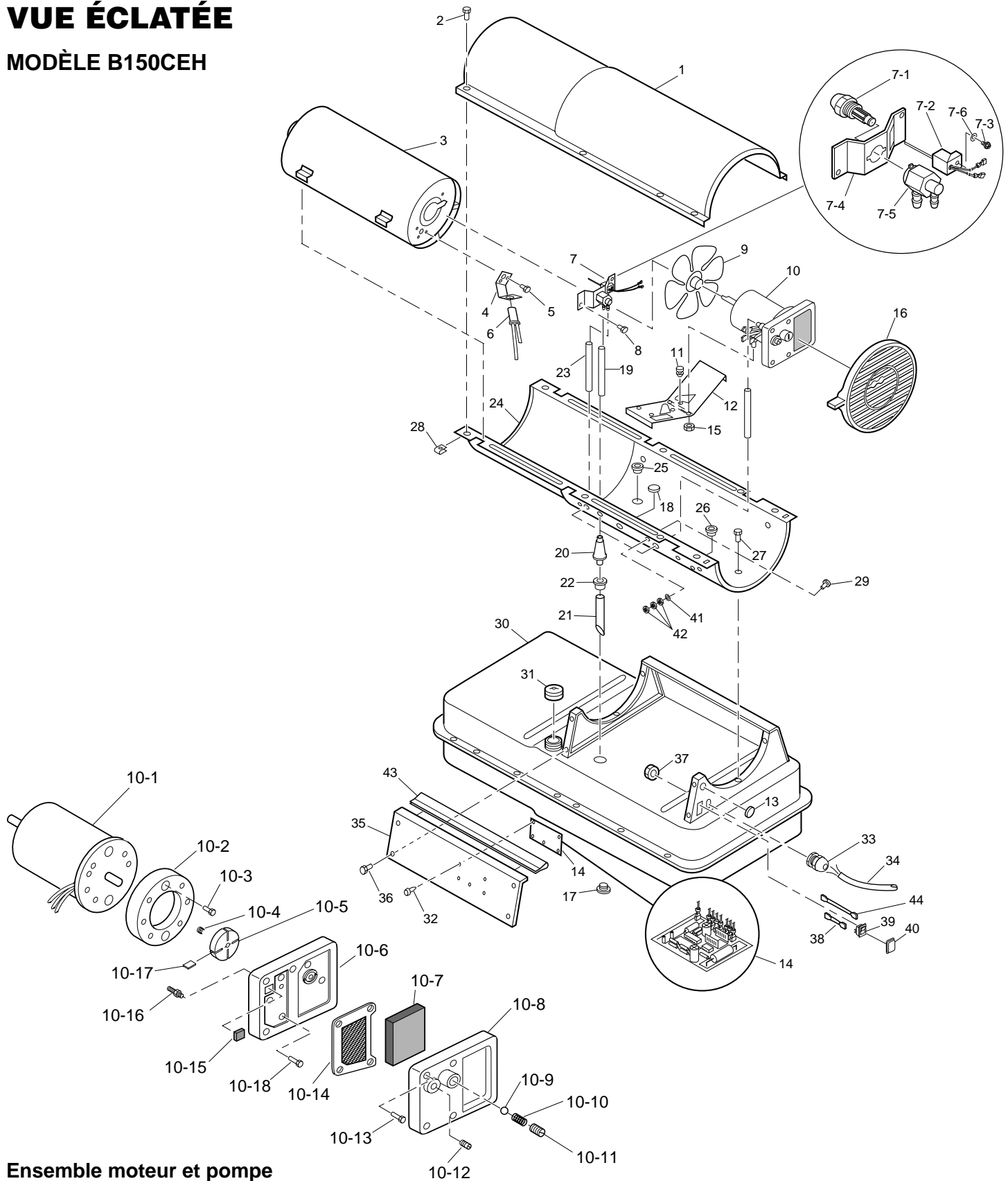
N° DE RÉF	NUMÉRO DU PIÈCE	DESIGNATION	QTÉ	N° DE RÉF	NUMÉRO DU PIÈCE	DESIGNATION	QTÉ
1	098511-257	Couverture, haut	1	16	M51114-01	Garde de ventilateur	1
2	102432-01	Vis/rondelle frein, 1/2"	8	17	M27417	Bouchon de vidange (comprend un joint torique)	1
3	098512-65	Chambre de Combustion	1	18	099213-01	Bouchon rond	1
4	103971-01	Support de cellule photoélectrique	1	19	M51345-01	Ligne d'alimentation combustible	1
5	M10908-2	Vis, #6-32 x 3/8"	2	20	107961-01	Filtre, ensemble	1
6	M16656-24	Ensemble, cellule	1	21	M51151-01	Conduite de carburant	1
7	**	Support d'ensemble de brûleur	1	22	M10990-3	Bague, caoutchouc	1
7-1	HA3027	Gicleur	1	23	M50814-03	Ligne d'air	1
7-2	102548-05	Kit d'allumeur	1	24	098511-236	Couverture inférieure	1
7-3	M10908-75	Vis, #6-32 x 7/8"	1	25	M50104-03	Bague	1
7-4	102336-01	Support d'adaptateur de gicleur	1	26	M50104-01	Bague	1
7-5	104054-01	Adaptateur de gicleur	1	27	102431-01	Vis/rondelle frein, 1/2"	6
7-6	103347-01	Rondelle Belleville	1	28	M11271-8	Ecrou, serrage	8
8	102431-01	Vis/rondelle frein, 1/2"	2	29	RF3-4B	Vis, #10-32 x 1/2"	1
9	102042-01	Ventilateur	1	30	108088-04	Réservoir combustible	1
10	**	Ensemble moteur et pompe	1	31	097702-01	Bouchon, réservoir combustible	1
10-1	102001-24	Moteur	1	32	102349-01	Support de carte PC	5
10-2	079975-02	Corps pompe	1	33	M50400	Bague, relâchement de tension	1
10-3	FHPF3-5C	Vis, #10-32 x 5/8"	2	34	079673-07	Câble de puissance	1
10-4	M22009	Pièce rapportée	1	35	M51077-15	Couverture latérale	1
10-5	M22456-1	Rotor	1	36	102431-01	Vis/rondelle frein, 1/2"	4
10-6	M50545	Pompe, couverture extrémité	1	37	102861-01	Écrou de blocage en Nylon	1
10-7	M12179	Filtre entrée	1	38	079010-39	Ensemble fil (marron)	1
10-8	M16545	Couverture filtre	1	39	105793-01	Interrupteur MARCHE/ARRÊT	1
10-9	M8940	Bille acier 1/4 diameter	1	40	079919-01	Couvercle d'interrupteur	1
10-10	M10993-1	Ressort de relâchement	1	41	WLE-3	Rondelle, #10	1
10-11	M27694	Vis, d'ajustage	1	42	NPF-3B	Ecrou, #10-32	3
10-12	M22997	Prise	1	43	097468-01	Garniture de bordure	1
10-13	M12461-31	Vis, #10-32 x 1"	10	44	079010-40	Ensemble fil (blanc)	1
10-14	M12244-1	Filtre sortie	1	PIÈCES DISPONIBLES - NON ILLUSTRÉES			
10-15	M11637	Toile filtre	1				
10-16	M50820-02	MRaccord à griffes	1		HA2210	Ecran, cou remplissage	1
10-17	M8643	Pale	4		103814-01	Serre-fils	1
11	M50631	Amortisseur, caoutchouc	2		097650-01	Decal, Nom de marque	2
12	101206-01	Support, moteur	1		106013-03	Jeu d'autocollants	1
13	101695-01	Bouchon rond	1		105880-01	Fusible	1
14	104068-04	Commande d'allumage	1				
15	NTC-4C	Ecrou, Hex	2				

** N'est pas disponible monté, commander les pièces séparément.

APPAREILS DE CHAUFFAGE INDIVIDUELS À AIR FORCÉ

VUE ÉCLATÉE

MODÈLE B150CEH



Ensemble moteur et pompe

MANUEL D'UTILISATION

LISTE DES PIÈCES

MODÈLE B150CEH

Cette liste comprend les pièces de l'appareil de chauffage qui peuvent être remplacées. Lors de la commande de pièces détachées, veiller à inclure le numéro de modèle et les numéros de série corrects (pris sur la plaque signalétique), puis le numéro de pièce et la désignation de la pièce désirée.

N° DE RÉF	NUMÉRO DU PIÈCE	DESIGNATION	QTÉ	N° DE RÉF	NUMÉRO DU PIÈCE	DESIGNATION	QTÉ
1	098511-257	Couverture, haut	1	16	M51114-01	Garde de ventilateur	1
2	102432-01	Vis/rondelle frein, 1/2"	8	17	M27417	Bouchon de vidange (comprend un joint torique)	1
3	098512-66	Chambre de Combustion	1	18	099213-01	Bouchon rond	1
4	103154-05	Support de cellule photoélectrique	1	19	M51345-04	Ligne d'alimentation combustible	1
5	M10908-2	Vis, #6-32 x 3/8"	2	20	107961-01	Filtre, ensemble	1
6	M16656-24	Ensemble, cellule	1	21	M51151-02	Conduite de carburant	1
7	**	Support d'ensemble de brûleur	1	22	M10990-3	Bague, caoutchouc	1
7-1	100735-24	Gicleur	1	23	M50814-03	Ligne d'air	1
7-2	102548-05	Kit d'allumeur	1	24	098511-236	Couverture inférieure	1
7-3	M10908-75	Vis, #6-32 x 7/8"	1	25	M50104-03	Bague	1
7-4	102336-01	Support d'adaptateur de gicleur	1	26	M50104-01	Bague	1
7-5	104054-01	Adaptateur de gicleur	1	27	102431-01	Vis/rondelle frein, 1/2"	6
7-6	103347-01	Rondelle Belleville	1	28	M11271-8	Ecrou, serrage	8
8	102431-01	Vis/rondelle frein, 1/2"	2	29	RF3-4B	Vis, #10-32 x 1/2"	1
9	102042-01	Ventilateur	1	30	108088-05	Réservoir combustible	1
10	**	Ensemble moteur et pompe	1	31	097702-01	Bouchon, réservoir combustible	1
10-1	102001-24	Moteur	1	32	102349-01	Support de carte PC	5
10-2	079975-03	Corps pompe	1	33	M50400	Bague, relâchement de tension	1
10-3	FHPF3-6C	Vis, #10-32 x 3/4"	2	34	079673-07	Câble de puissance	1
10-4	M22009	Pièce rapportée	1	35	M51077-15	Couverture latérale	1
10-5	M22456-2	Rotor	1	36	102431-01	Vis/rondelle frein, 1/2"	4
10-6	M50545	Pompe, couverture extrémité	1	37	102861-01	Écrou de blocage en Nylon	1
10-7	M12179	Filtre entrée	1	38	079010-39	Ensemble fil (marron)	1
10-8	M16545	Couverture filtre	1	39	105793-01	Interrupteur MARCHE/ARRÊT	1
10-9	M8940	Bille acier 1/4 diameter	1	40	079919-01	Couvercle d'interrupteur	1
10-10	M10993-1	Ressort de relâchement	1	41	WLE-3	Rondelle, #10	1
10-11	M27694	Vis, d'ajustage	1	42	NPF-3B	Ecrou, #10-32	3
10-12	M22997	Prise	1	43	097468-01	Garniture de bordure	1
10-13	M12461-31	Vis, #10-32 x 1"	4	44	079010-40	Ensemble fil (blanc)	1
10-14	M12244-1	Filtre sortie	1	PIÈCES DISPONIBLES - NON ILLUSTRÉES			
10-15	M11637	Toile filtre	1				
10-16	M50820-02	MRaccord à griffes	1		HA2210	Ecran, cou remplissage	1
10-17	M8643-2	Pale	4		103814-01	Serre-fils	1
10-18	M12461-32	Vis, #10-32 x 1 1/8"	6		097650-01	Decal, Nom de marque	2
11	M50631	Amortisseur, caoutchouc	2		106013-04	Jeu d'autocollants	1
12	101206-01	Support, moteur	1		105880-01	Fusible	1
13	101695-01	Bouchon rond	1				
14	104068-04	Commande d'allumage	1				
15	NTC-4C	Ecrou, Hex	2				

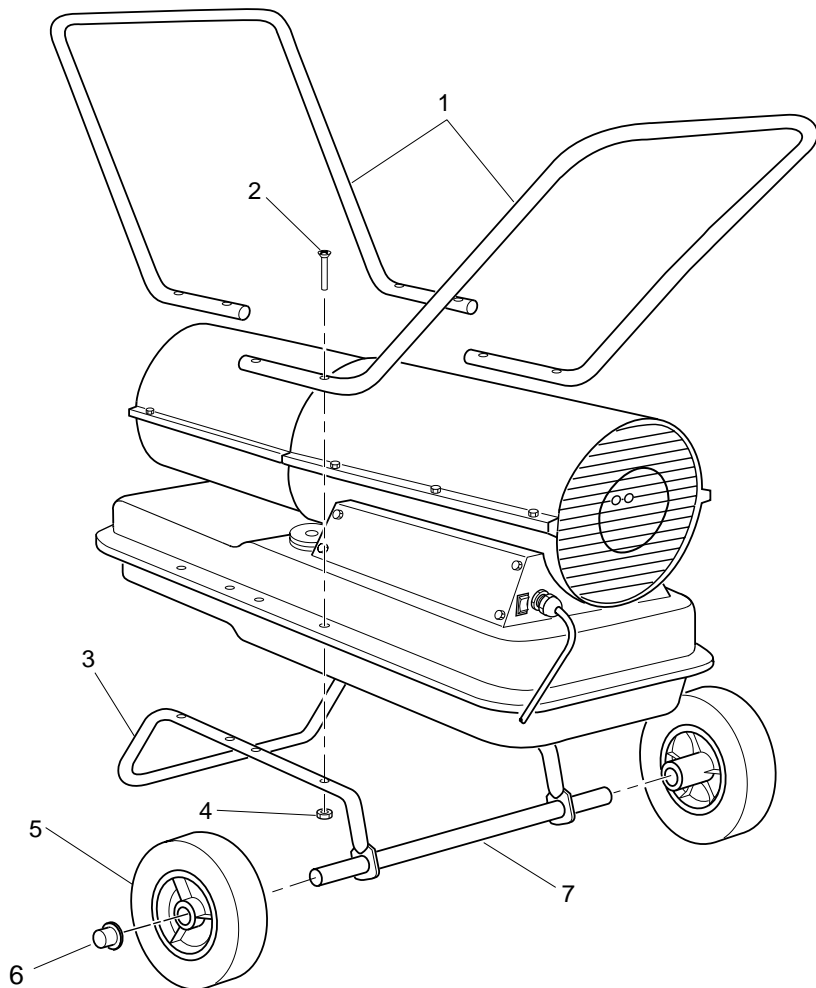
** N'est pas disponible monté, commander les pièces séparément.

APPAREILS DE CHAUFFAGE INDIVIDUELS À AIR FORCÉ

ROUES ET GUIDONS

MODÈLES B100CEH ET B150CEH

RÉF	NUMÉRO DE PIÈCE	DÉSIGNATION	QTÉ B100CEH	QTÉ B150CEH
1	HA2203	Guidon	2	—
	HA2204	Guidon	—	2
2	M12345-33	Vis n°10-24 x 1 3/4 in	8	8
3	M12342-3	Berceau	1	—
	M12831-3	Berceau	—	1
4	NTC-3C	Écrou autobloquant n°10-24	8	8
5	107426-01	Roue (2)	1	1
6	M28526	Écrou borgne	2	2
7	M51015-01	Essieu	1	—
	M16801-2	Essieu	—	1



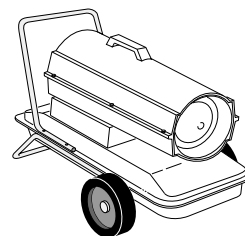
ACCESSOIRES

Se procurer les accessoires auprès du concessionnaire local.



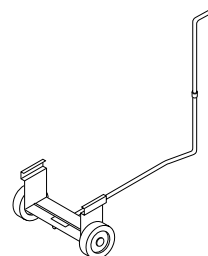
JEU DE MANOMÈTRE HA1180

Pour tous les modèles. Outil conçu pour vérifier la pression de la pompe.



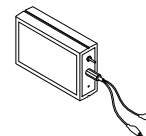
JEU DE ROUES ET POIGNÉE POUR USAGE INTENSIF HA1202

Rend votre appareil de chauffage encore plus pratique et facile à porter. Pour Modèles B35CEH et B70CEH.



JEU DE ROUES ET POIGNÉES STANDARD HA1206

Rend votre appareil de chauffage encore plus pratique et facile à porter. Facile à monter. Pour Modèles B35CEH et B70CEH.



TESTEUR DE COMMANDE D'ALLUMAGE/CELLULE PHOTOÉLECTRIQUE - HA1170

Outil spécial utilisé pour tester la commande d'allumage et la cellule photoélectrique.

DÉCLARATION DE CONFORMITÉ À LA CE

DÉCLARATION DE CONFORMITÉ À LA CE

**DESA Europe B.V.
Innsbruckweg 144, 3047 AH
Postbus 11158
3004 ED Rotterdam
Hollande**

**Fabricant :
DESA International, Inc.
2701 Industrial Drive
Bowling Green, KY 42101 U.S.A.**

**Appareils de chauffage individuels à air forcé au kérosène
Numéro de modèle : B35CEH, B70CEH, B100CEH, B150CEH**

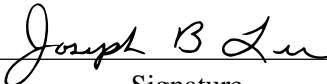
Ces modèles ont été déclarés conformes à la directive machinerie 98/37/CE, y compris 91/368/CEE et la directive basse tension 73/23/CEE. Ces modèles sont en outre conformes à la directive de CEM 89/336/CEE, amendée par la 92/31/CEE, y compris EN50081-1 et EN50082-1.

Nous déclarons que les modèles mentionnés sont en conformité.

<u>Compagnie</u>	<u>DESA International, Inc.</u>
<u>Nom</u>	<u>Joseph B. Lee</u>
<u>Titre</u>	<u>Vice-président, Ingénierie des produits de chauffage</u>

07/25/2000 — Bowling Green, KY

Date et lieu


Signature

GARANTIE ET RÉPARATIONS

CERTIFICAT RELATIF AU MATÉRIEL GÉNÉRAL - GARANTIE LIMITÉE D'UN AN

Les produits neufs vendus par la société DESA International sont garantis pièces et main-d'œuvre contre les vices de matériaux et de fabrication, pour une période d'un an à compter de la date de livraison, et ce, au premier utilisateur et sous réserve des conditions suivantes :

Les obligations et la responsabilité de la société DESA International en vertu de la présente garantie se limitent expressément à la réparation ou au remplacement, à la discrétion de la société, de toute pièce qui lui semblerait, après inspection, défectueuse au moment de l'expédition de l'usine en raison d'un vice de matériau et de fabrication. La ou lesdites pièces seront remplacées gratuitement et mises à la disposition de l'utilisateur dans les locaux de tout centre d'entretien dûment autorisé par l'usine de fabrication, ou à l'usine même, et ce durant les heures normales d'ouverture. La présente garantie ne couvre pas les pièces et accessoires non fabriqués par DESA International et couverts par la garantie de leur propre fabricant ; elle ne couvre pas non plus l'entretien habituel (par exemple, les réglages de la pression) ni les pièces d'entretien habituelles (telles que les filtres et les bougies). Les pièces de remplacement ou de réparation posées sur le produit couvert par la présente garantie ne seront elles-mêmes couvertes que pour la durée restante de la garantie, tout comme si elles avaient été des pièces d'origine dudit produit. AUCUNE AUTRE GARANTIE EXPRESSE N'EST ÉMISE PAR LA SOCIÉTÉ DESA INTERNATIONAL. DANS LES LIMITES PRESCRITES PAR LA LOI, DESA INTERNATIONAL N'ÉMET AUCUNE GARANTIE IMPLICITE, NI AUCUNE GARANTIE DE QUALITÉ LOYALE ET MARCHANDE OU DE CONFORMITÉ À

L'UTILISATION PRÉVUE. QUOI QU'IL EN SOIT, LES GARANTIES IMPLICITES, Y COMPRIS LES GARANTIES DE QUALITÉ LOYALE ET MARCHANDE OU DE CONFORMITÉ À L'UTILISATION PRÉVUE, SONT LIMITÉES À LA DURÉE DE LA PRÉSENTE GARANTIE EXPRESSE.

Tous les frais de transport et d'installation, les droits, les impôts ou tout autre frais de quelque nature que ce soit seront à la charge de l'utilisateur. La société DESA International ne saurait être responsable, en vertu de la présente garantie limitée, de quelque dommage direct, indirect ou accessoire que ce soit, ou de retards. Les produits ou pièces faisant l'objet d'une demande en vertu de la présente garantie devront être renvoyés à l'usine par l'utilisateur en port payé, à la demande de la société DESA International. La présente garantie sera réputée nulle et de nul effet en cas d'usage abusif, y compris en cas d'utilisation après la découverte des pièces défectueuses ou usées, d'utilisation au-delà des capacités du produit, de substitution de pièces non approuvées par DESA International, ou encore en cas de modification ou de réparation, de quelque nature que ce soit, effectuée par un tiers d'une façon telle que, selon DESA International, le produit en est affecté matériellement et défavorablement.

LES EMPLOYÉS OU MANDATAIRES NE SONT EN AUCUN CAS AUTORISÉS À MODIFIER EN QUOI QUE CE SOIT LA PRÉSENTE GARANTIE, NI À ACCORDER UNE AUTRE GARANTIE DE QUELQUE NATURE QUE CE SOIT, SANS L'AUTORISATION PRÉALABLE ÉCRITE ET SIGNÉE PAR UN MEMBRE DU BUREAU DE LA SOCIÉTÉ DESA INTERNATIONAL, À SON SIÈGE SOCIAL.

SERVICES FOURNIS AU TITRE DE LA GARANTIE

Toujours indiquer le modèle et les numéros de série dans la correspondance avec l'usine.

Nous nous réservons le droit de modifier à tout moment les présentes spécifications sans préavis. La seule garantie applicable est notre garantie écrite standard. Aucune autre garantie, expresse ou implicite, n'est faite.

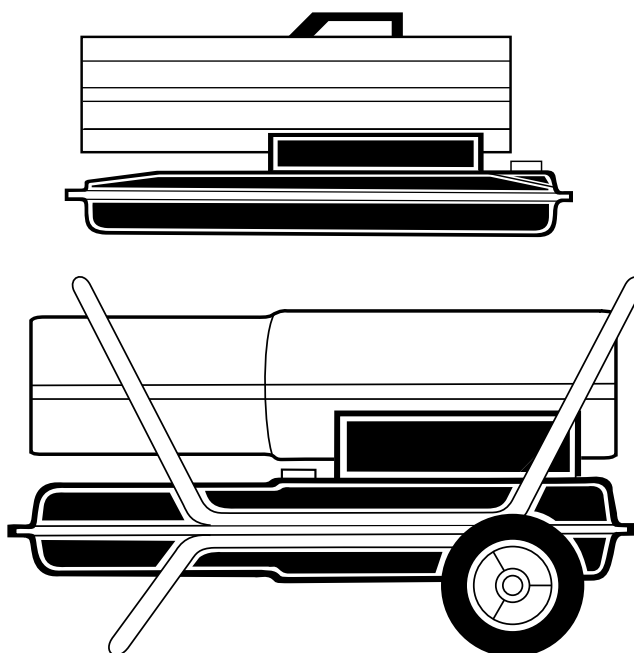
Un manuel d'entretien peut être obtenu auprès du Service d'entretien technique à l'adresse suivante :

DESA
INTERNATIONAL
Corporate Headquarters
2701 Industrial Drive
P.O. Box 90004
Bowling Green, KY 42102-9004
U.S.A.

MASTER[®]

VERPLAATSBARE HETELUCHT- KANONNEN

GEBRUIKERSHANDLEIDING



Vermogen: 35.000, 70.000, 100.000 en 150.000 Btu/uur
Modellen: B35CEH, B70CEH, B100CEH, en B150CEH

BELANGRIJK: Lees deze handleiding en zorg dat u hem begrijpt alvorens het heteluchtkanon in elkaar te zetten, aan te zetten of er onderhoud aan uit te voeren. Verkeerd gebruik van dit heteluchtkanon kan tot ernstig letsel leiden. Bewaar deze handleiding voor toekomstig gebruik.



VERPLAATSBARE HETELUCHTKANONNEN

VEILIGHEIDSINFORMATIE

WAARSCHUWING

BELANGRIJK: Lees deze gebruikershandleiding aandachtig en volledig door alvorens het heteluchtkanon in elkaar te zetten, aan te zetten of er onderhoud aan uit te voeren. Verkeerd gebruik van dit heteluchtkanon kan leiden tot letsel of de dood als gevolg van brandwonden, brand, ontploffing, elektrische schok of koolmonoxydevergiftiging.

 GEVAAR: Koolmonoxydevergiftiging kan de dood tot gevolg hebben!

Koolmonoxydevergiftiging: Aanvankelijke symptomen van koolmonoxydevergiftiging lijken op griep met hoofdpijn, duizeligheid en/of misselijkheid. Als u deze symptomen vertoont, kan het zijn dat het heteluchtkanon niet naar behoren werkt. **Zorg dat u onmiddellijk frisse lucht krijgt!** Laat de kachel nakijken. Sommige mensen hebben meer last van koolmonoxydevergiftiging dan anderen. Hieronder vallen zwangere vrouwen, mensen met hart- of longziekten of bloedarmoede, mensen onder de invloed van alcohol en mensen die zich op grote hoogte boven zeeniveau bevinden.

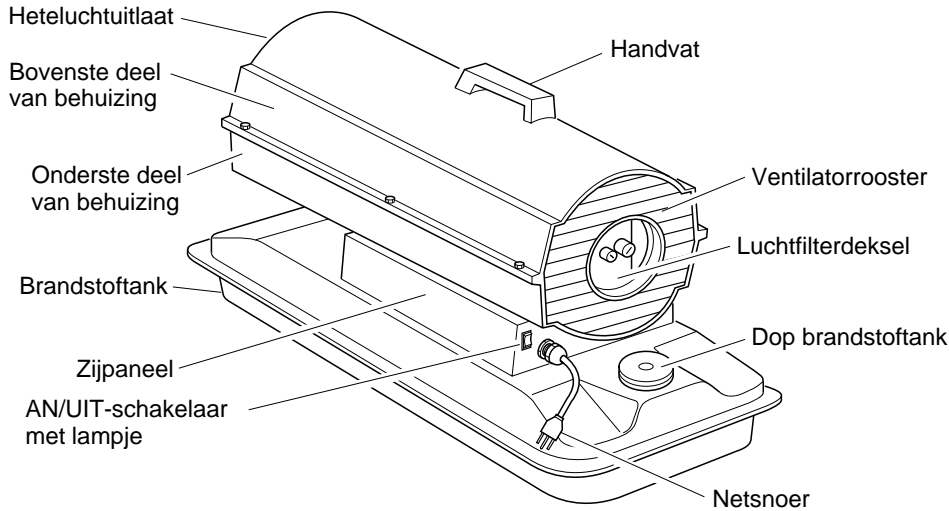
Zorg dat u alle waarschuwingen leest en begrijpt. Bewaar deze handleiding voor toekomstig gebruik. Deze handleiding biedt uitkomst voor het veilige en juiste gebruik van deze kachel.

- Gebruik uitsluitend lichtpetroleum of huisbrandolie nr. 1 (hbo 1) om brand- en explosiegevaar te beperken. Gebruik nooit benzine, nafta, verfverdunner, alcohol of andere brandgevaarlijke brandstoffen.
- Bijvullen
 - a) Het personeel dat brandstof toedient dient bevoegd te zijn en goed bekend met de aanwijzingen van de fabrikant en de toepasselijke voorschriften voor het bijvullen van heteluchtkanonnen.

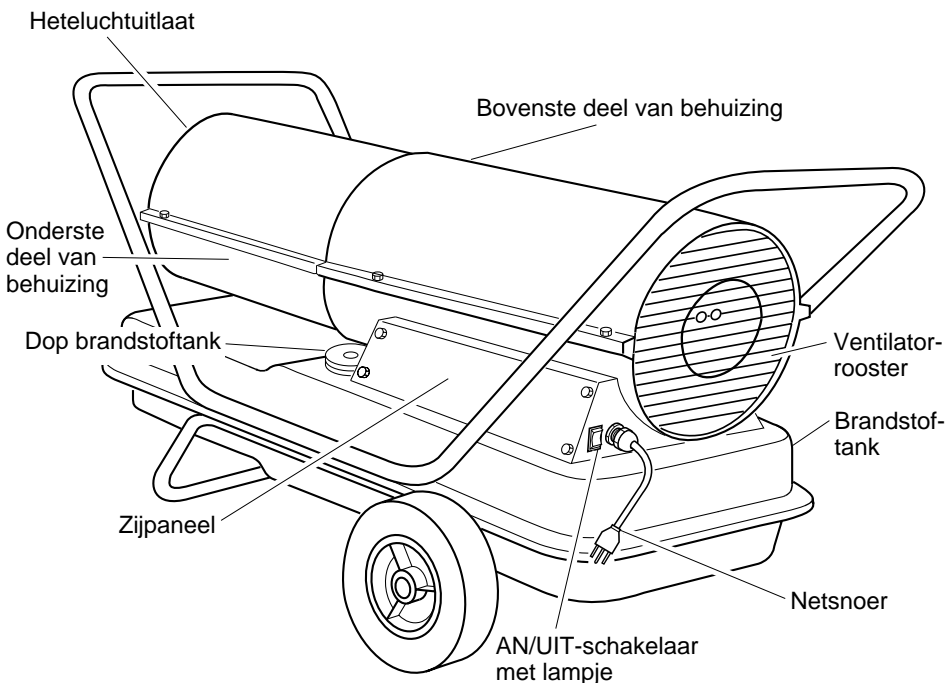
- b) Uitsluitend het soort brandstof opgegeven op het gegevensplaatje van het heteluchtkanon mag worden gebruikt.
 - c) Voor het bijvullen moeten alle vlammen, met inbegrip van het waakvlammetje, worden gedoofd en moet het heteluchtkanon afkoelen.
 - d) Tijdens het bijvullen moeten alle brandstofleidingen en -aansluitingen op lekken worden gecontroleerd. Lekken moeten worden gerepareerd alvorens het heteluchtkanon weer in gebruik te nemen.
 - e) Nooit mag een voorraad verwarmingsbrandstof voor meer dan één dag in een gebouw in de nabijheid van het heteluchtkanon worden opgeslagen. Grote hoeveelheden brandstof dienen buiten het gebouw te worden opgeslagen.
 - f) Alle brandstof dient ten minste 7,62 m (25 voet) van heteluchtkanonnen, blaaslampen, lasapparatuur en soortgelijke ontstekingsbronnen te worden opgeslagen (behalve de brandstoftank van het heteluchtkanon).
 - g) Zo mogelijk dient brandstof te worden opgeslagen op plaatsen waar geen mogelijkheid bestaat dat de brandstof door de vloer op een lager gelegen vuur druppelt of daardoor wordt ontstoken.
 - h) De brandstof moet worden opgeslagen conform de voorschriften van de competente landelijke of plaatselijke overheid.
- Gebruik het heteluchtkanon nooit in de buurt van benzine, verfverdunner of brandgevaarlijke dampen.
 - Volg alle wettelijke voorschriften bij gebruik van dit heteluchtkanon.
 - Heteluchtkanonnen die worden gebruikt in de nabijheid van dekkleden, canvas of soortgelijk bedekkingsmateriaal dienen zich op veilige afstand van deze stoffen te bevinden. De aanbevolen minimumafstand is 3,05 m (10 voet). Het wordt verder aanbevolen brandvertragend bedekkingsmateriaal te gebruiken. Dit bedekkingsmateriaal moet stevig worden vastgemaakt om te voorkomen dat het bij een windstoot ontbrandt of het heteluchtkanon doet omvallen.
 - Alleen in goed geventileerde ruimten gebruiken. Zorg voor ten minste één opening van 2800 cm² voor iedere 100.000 Btu/uur vermogen voor de toevoer van frisse buitenlucht.
 - Gebruik het heteluchtkanon niet in ruimten met hoge concentraties van brandbare dampen of stof.
 - Sluit het heteluchtkanon uitsluitend aan op de netspanning die op het modelplaatje is aangegeven.
 - Gebruik uitsluitend een geaard verlengsnoer.
 - Minimum afstand tussen het heteluchtkanon en brandbaar materiaal: uitlaatopening 2,5 m; zij-, boven- en achterkant: 1,25 m.
 - Plaats het heteluchtkanon op een stevige en vlakke ondergrond zolang dit heet of in werking is; anders kan er brand ontstaan.
 - Houd het heteluchtkanon recht tijdens het verplaatsen of opbergen; anders zal er brandstoflekkage optreden.
 - Houd kinderen en dieren uit de buurt van het heteluchtkanon.
 - Neem de stekker uit het stopcontact wanneer het heteluchtkanon niet in gebruik is.
 - Bij gebruik van de thermostaat kan het heteluchtkanon te allen tijden automatisch aanslaan.
 - Gebruik het heteluchtkanon nooit in woon- of slaapvertrekken.
 - Blokkeer nooit de toevoeropening (achterkant) of de uitlaatopening (voorkant) van het heteluchtkanon.
 - Een werkende, hete of op het lichtnet aangesloten kachel mag niet verplaatst, gehanteerd of bijgevuld worden en er mag geen onderhoud aan uitgevoerd worden.
 - Bevestig nooit een buizensysteem aan de voor- of achterkant van het heteluchtkanon.

GEBRUIKERSHANDLEIDING

PRODUKT-IDENTIFIKATIE



Figuur 1 - Modellen B35CEH en B70CEH



Figuur 2 - Modellen B100CEH en B150CEH

UITPAKKEN

1. Verwijder al het verpakkingsmateriaal dat voor verzending gebruikt is.
2. Haal alle onderdelen uit de doos.
3. Controleer alle onderdelen op eventuele schade, opgelopen tijdens verzending. Als het heteluchtkanon beschadigd is, dient u onmiddellijk de leverancier bij wie u het gekocht hebt, op de hoogte te brengen.

BRANDSTOFFEN

⚠ WAARSCHUWING: Gebruik uitsluitend lichtpetroleum of huisbrandolie nr. 1 (hbo 1) om brand- en explosiegevaar te beperken. Gebruik nooit benzine, nafta, verfverdunder, alcohol of andere brandgevaarlijke brandstoffen.

Huisbrandolie nr. 2 (hbo 2) of diesel nr. 2 mag niet gebruikt worden. Gebruik van deze brandstoffen leidt tot:

- verstopping van brandstoffilter en sproeier
- noodzaak voor niet-giftig antivries in brandstof bij zeer koud weer

BELANGRIJK: Gebruik een container die UITSLUITEND VOOR LICHTPETROLEUM bestemd is. Zorg dat de container schoon is. Vuil in de brandstof, zoals roest of water, stellen het vlamdovingsysteem in werking waardoor het heteluchtkanon afslaat. Daarnaast moet als gevolg van vuil het brandstofsysteem vaker worden schoongemaakt.

VERPLAATSBARE HETELUCHTKANONNEN

MONTAGE

(ALLEEN VOOR MODELLEN B100CEH EN B150CEH)

Deze modellen zijn voorzien van een onderstel met wielen en hendels. De wielen, hendels en montage-onderdelen bevinden zich in de doos.

Benodigd gereedschap

- Een middelgrote kruiskopschroevendraaier
 - Een steeksleutel of Engelse sleutel (3/8")
 - Een hamer
1. Schuif de as door het onderstel. Installeer de wielen op de as. **BELANGRIJK:** Zorg dat de wielen met de kant met de uitstekende naaf naar het frame toe worden aangebracht (zie figuur 3).

2. Breng de asmoeren aan op de uiteinden van de as. Klop voorzichtig met een hamer op de moeren om ze vast te zetten.
3. Leg het heteluchtkanon op het onderstel. Zorg dat de luchtinlaatopening (achterkant) zich boven de wielen bevindt. Breng de gaten in de rand rond de brandstoftank in lijn met de gaten in het onderstel.
4. Plaats de voorste en achterste hendel op de rand rond de tank. Steek de schroeven door de hendels, de rand rond de tank en het onderstel. Bevestig na het aanbrengen van iedere schroef een moer; draai deze met de hand vast.
5. Draai alle moeren stevig vast nadat alle schroeven zijn aangebracht.

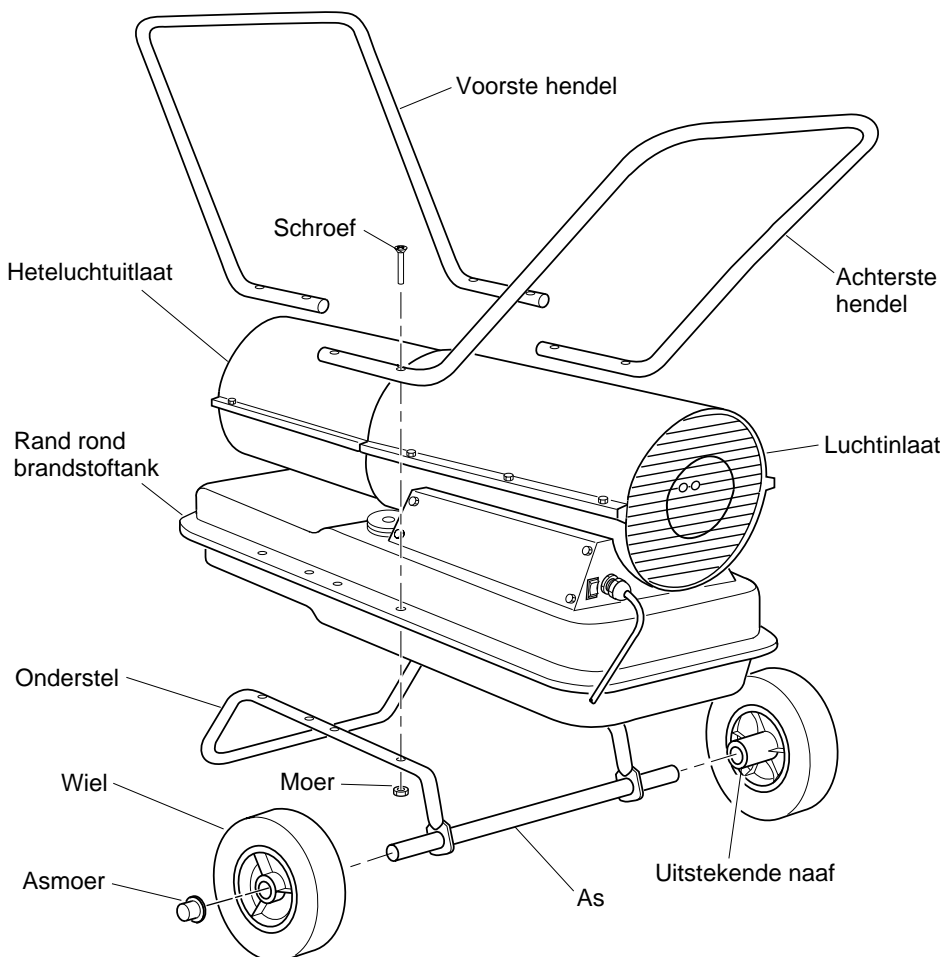
VENTILATIE

WAARSCHUWING: Het voorschrift voor minimale toevoer van frisse buitenlucht moet opgevolgd worden. Als voldoende frisse buitenlucht niet voorhanden is, kan koolmonoxydevergiftiging optreden. Zorg voor voldoende aanvoer van frisse buitenlucht alvorens het heteluchtkanon aan te zetten.

Zorg voor een opening voor frisse lucht van ten minste 2800 cm² voor iedere 100.000 Btu/uur aan vermogen. Zorg voor meer toevoer van frisse lucht indien meerdere kachels worden gebruikt.

Voorbeeld: Een heteluchtkanon van 150.000 Btu/uur vereist een van de volgende:

- een dubbele garagedeur [4,9 meter (16') breed] die 9 cm (3,5") van de grond geopend is
- een enkele garagedeur [2,75 meter (9') breed] die 15,25 cm (6") van de grond geopend is
- twee ramen met een breedte van 76 cm (30") geopend op 28 cm (11")



Figuur 3 - Hendels en onderstel met wielen

GEBRUIKERSHANDLEIDING

OVERZICHT VAN DE WERKING

Het brandstofsysteem: De luchtpomp pompt lucht door de luchtslang. De lucht wordt vervolgens door de sproeier van de branderkop gestuurd. Deze lucht zuigt brandstof uit de tank aan. Een nevel van brandstof wordt vervolgens in de verbrandingskamer gespoten.

Het luchtsysteem: De motor drijft de ventilator aan. De ventilator stuwt lucht in en rond de verbrandingskamer. Deze lucht wordt verwarmd en levert een schone, hete luchtstroom.

Het ontstekingsysteem: Het ontstekingsmechanisme stuurt spanning naar de ontsteker. Hierdoor ontsteekt het mengsel van brandstof en lucht in de verbrandingskamer.

Het vlamdovingsysteem: Dit systeem dient om het heteluchtkanon uit te schakelen wanneer de vlam uitgaat.

BEDIENING

⚠ WAARSCHUWING: Lees de waarschuwingen in het hoofdstuk *Veiligheids-informatie* nogmaals door en zorg dat u ze begrijpt. Ze zijn nodig om deze kachel veilig te laten werken. Houd u aan alle plaatselijke voorschriften wanneer u dit heteluchtkanon gebruikt.

HET HETELUCHTKANON AANZETTEN

1. Volg alle informatie over installatie, ventilatie en veiligheid.
2. Vul de tank met lichtpetroleum of huisbrandolie nr. 1 (hbo 1).
3. Draai de dop op de tank.
4. Steek de stekker van de kachel in een standaard, geaard stopcontact van 230~V/50 Hz. Gebruik eventueel een verlengsnoer. Gebruik uitsluitend geaarde steekkers met drie pennen.

VERLENGSNOEREN

Gebruik 1,0 mm² (16 AWG) geleider voor kabels met een lengte van minder dan 30,5 m.

Gebruik 1,5 mm² (14 AWG) geleider voor kabels met een lengte van 30,5 m tot 61 m.

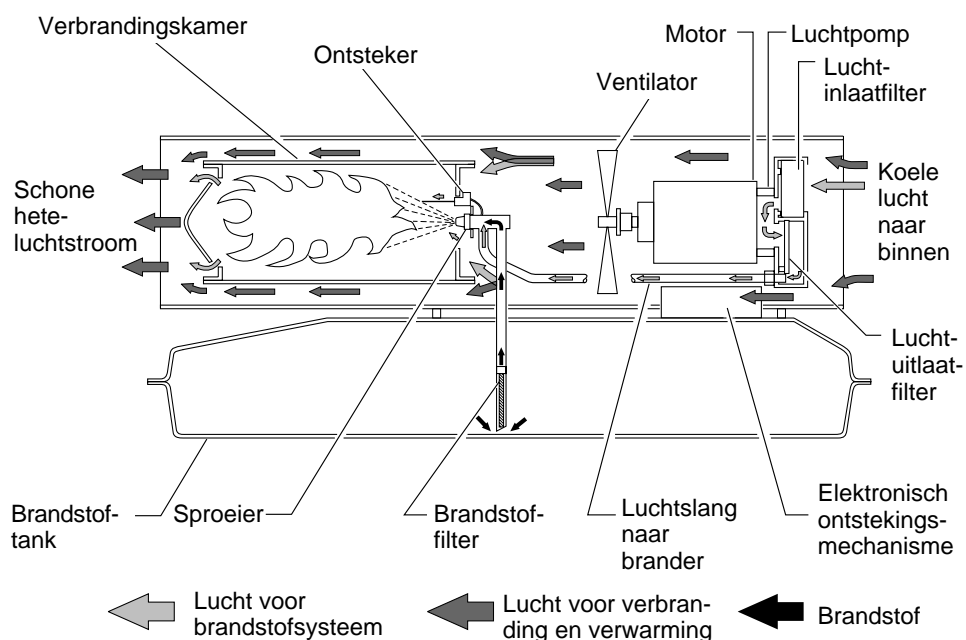
Duw de AAN/UIT-schakelaar naar de stand AAN (I) en de kachel hoort binnen 5 seconden aan te slaan. Als de kachel niet aanslaat, dient u *Problemen oplossen* (pagina 7 en 8) te raadplegen.

HET HETELUCHTKANON UITZETTEN

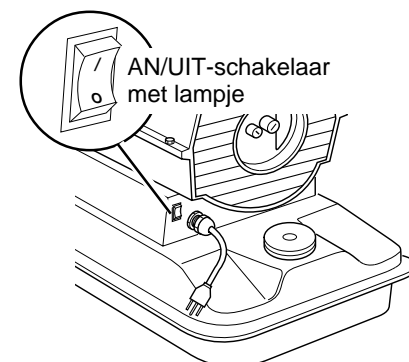
Duw de AAN/UIT-schakelaar naar UIT (OFF).

DE KACHEL OPNIEUW AANZETTEN

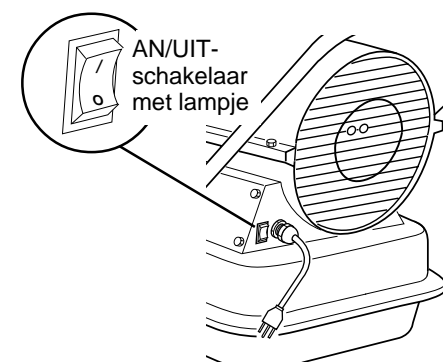
1. Duw de AAN/UIT-schakelaar naar de stand UIT (0) en wacht 10 seconden (2 minuten als de verwarming al heeft aangestaan).
2. Herhaal de procedure op pagina 5 onder *Het heteluchtkanon aanzetten*.



Figuur 4 - Bedrijfsaanzicht, dwarsdoorsnede



Figuur 5 - Reset-knop vlamdovingsysteem, modellen B35CEH en B70CEH



Figuur 6 - Reset-knop vlamdovingsysteem, modellen B100CEH en B150CEH

VERPLAATSBARE HETELUCHTKANONNEN

OPSLAG, VERVOER OF VERZENDING

Let op: Bij verzending vereisen transportbedrijven dat de brandstoftanks leeg zijn.

1. Laat de brandstoftank leeglopen.

Let op: Sommige modellen hebben een aftapstop aan de onderkant van de brandstoftank. Als deze aanwezig is, verwijder de aftapstop dan om alle brandstof te laten weglopen. Als het heteluchtkanon geen aftapstop heeft, moet de brandstof via de opening voor de brandstofdop verwijderd worden. Zorg dat alle brandstof uit de tank verwijderd wordt.

2. Breng de aftapstop weer aan, indien van toepassing.
3. Als u deeltjes in de oude brandstof ziet, giet dan 1 of 2 liter schone petroleum in de tank. Roeren en weer aftappen. Hierdoor wordt voorkomen dat overtollige deeltjes bij toekomstig gebruik de filters verstopen.
4. Breng de brandstofdop of aftapstop weer aan. Werp oude en vuile brandstof op verantwoorde wijze weg. Raadpleeg plaatselijke benzinestations die olie recyclen.
5. Berg het heteluchtkanon op een droge plaats op. Controleer of op deze plaats geen stof en roestvormende dampen aanwezig zijn.

BELANGRIJK: Gebruik petroleum die tijdens de zomermaanden opgeslagen is geweest, nooit in het volgende stookseizoen. Het gebruik van oude brandstof kan het heteluchtkanon beschadigen.


PREVENTIEF ONDERHOUD

⚠ WAARSCHUWING: Voer nooit onderhoud uit aan de kachel als de stekker niet uit het stopcontact is verwijderd of als de kachel nog werkt of heet is. Ernstige brandwonden of elektrische schok kunnen het gevolg zijn.




Onderdeel	Wanneer?	Onderhoud
Brandstoftank	Na iedere 150-200 bedrijfsuren of zonodig uitspoelen	Zie <i>Opslag, Vervoer of Verzending</i>
Luchtuitlaat- en lintfilter	Na 500 bedrijfsuren of eens per jaar vervangen	Zie <i>Het luchtuitlaat luchtinlaat- en lintfilter</i> , pagina 11
Luchtinlaatfilter	Iedere 500 bedrijfsuren of zonodig met water en zeep wassen en laten drogen	Zie <i>Het luchtuitlaat-, luchtinlaat- en lintfilter</i> , pagina 11
Brandstoffilter	Tweemaal per stookseizoen of zonodig schoonmaken	Zie <i>Brandstoffilter</i> , pagina 9
Ontsteker	Geen onderhoud vereist	
Ventilatorschoepen	Eenmaal per stookseizoen of zo nodig schoonmaken	Zie <i>Ventilator</i> , pagina 14
Motor	Niet vereist/permanente smering	

GEBRUIKERSHANDLEIDING

PROBLEMEN OPLOSSEN

 **WAARSCHUWING:** Voer nooit onderhoud uit aan de kachel als de stekker niet uit het stopcontact is verwijderd of als de kachel nog werkt of heet is. Ernstige brandwonden of elektrische schok kunnen het gevolg zijn.

VERWARMER MET ONTSTEKINGSMECHANISME MET OF ZONDER ZEKERING

PROBLEEM	MOGELIJKE OORZAAK	OPLOSSING
Motor slaat niet aan binnen vijf seconden nadat de stekker in het stopcontact is gestoken (Het lampje van de AAN/UIT-schakelaar blijft branden)	1. Geen goede elektrische aansluiting tussen motor en ontstekingsmechanisme of ontstekingsmechanisme en netsnoer	1. Alle elektrische aansluitingen controleren. Zie <i>Bedradingsschema's</i> , pagina 15
	 WAARSCHUWING: Hoogspanning!	
	2. Pomprotor loopt aan	2. Als de ventilator slechts met moeite kan worden gedraaid, zie <i>Pomprotor</i> , pagina 13
	3. Defect ontstekingsmechanisme	3. Ontstekingsmechanisme vervangen
Motor slaat aan en werkt maar kachel brandt niet (Het lampje van de AAN/UIT-schakelaar blijft branden)	4. Defecte motor	4. Motor vervangen
	1. Geen brandstof in tank	1. Tank met lichtpetroleum vullen
	2. Verkeerde pompdruk	2. Zie <i>De pompdruk bijstellen</i> , pagina 11
	3. Vuile brandstoffilter	3. Zie <i>Brandstoffilter</i> , pagina 9
4. Vuil in sproeier	4. Zie <i>Sproeier</i> , pagina 12	
5. Water in brandstoftank	5. Brandstoftank laten leeglopen en uitspoelen met schone lichtpetroleum. Zie <i>Opslag, vervoer of verzending</i> , pagina 6	
 WAARSCHUWING: Hoogspanning!		
Motor slaat aan en werkt maar kachel brandt niet (Het lampje van de AAN/UIT-schakelaar blijft branden)	6. Geen goede elektrische aansluiting tussen ontsteker en ontstekingsmechanisme	6. Elektrische aansluitingen controleren. Zie <i>Bedradingsschema's</i> , pagina 15
	7. Defecte ontsteker	7. Ontsteker vervangen, zie pagina 10
	8. Defect ontstekingsmechanisme	8. Ontstekingsmechanisme vervangen
Kachel slaat aan maar ontstekingsmechanisme zet kachel na enige tijd uit (Het lampje van de AAN/UIT-schakelaar blijft branden)	1. Verkeerde pompdruk	1. Zie <i>De pompdruk bijstellen</i> , pagina 11
	2. Vuile luchtinlaat-, luchtuitlaat- en/of lintfilter	2. Zie <i>Het Luchtuitlaat-, luchtinlaat- en lintfilter</i> , pagina 11
	3. Vuile brandstoffilter	3. Zie <i>Brandstoffilter</i> , pagina 9
	4. Vuil in sproeier	4. Zie <i>Sproeier</i> , pagina 12
	5. Fotocel niet goed aangebracht (ziet de vlam niet)	5. Controleren of het verbindingstuk van de fotocel goed in de beugel grijpt
 WAARSCHUWING: Hoogspanning!		
Kachel slaat aan maar ontstekingsmechanisme zet kachel na enige tijd uit (Het lampje van de AAN/UIT-schakelaar blijft branden)	6. Vuile fotocellens	6. Fotocellens schoonmaken
	7. Geen goede elektrische verbinding tussen fotocel en ontstekingsmechanisme	7. Elektrische aansluitingen controleren. Zie <i>Bedradingsschema's</i> , pagina 15
	8. Defecte fotocel	8. Fotocel vervangen
	9. Defect ontstekingsmechanisme	9. Ontstekingsmechanisme vervangen

Wordt vervolgd



VERPLAATSBARE HETELUCHTKANONNEN

PROBLEMEN OPLOSSEN

Vervolg

VERWARMER MET ONTSTEKINGSMECHANISME ZONDER ZEKERING

ATTENTIE: Het ontstekingsmechanisme heeft een ingebouwde bescherming tegen overbelasting. Gebruik het lampje van de AAN/UIT-schakelaar om de storing op te sporen.

PROBLEEM	MOGELIJKE OORZAAK	OPLOSSING
Het lampje van de AAN/UIT-schakelaar gaat niet branden wanneer de schakelaar in de AAN-stand (I) wordt gezet en de verwarming start niet	<ol style="list-style-type: none">1. Geen stroom naar verwarmmer	<ol style="list-style-type: none">1. Kijk na of de stroomkabel op een stop-contact is aangesloten en of de stroomonderbreker in het elektriciteitspaneel is teruggezet.
	<div style="text-align: center;"> WAARSCHUWING: Hoogspanning!</div>	
	<ol style="list-style-type: none">2. Slechte elektrische verbindingen3. Kortsluiting in generator	<ol style="list-style-type: none">2. Controleer de elektrische bedrading en verbindingen. Zie <i>Bedradingsschema</i>, pagina 153. Controleer de bedrading van de ontsteker. Als u geen problemen vindt, vervang dan de ontsteker (zie pagina 10)
Het lampje van de AAN/UIT-schakelaar gaat branden wanneer de schakelaar in de AAN-stand (I) wordt gezet, maar het gaat uit na vijf seconden	<ol style="list-style-type: none">1. Kortsluiting in de motor	<ol style="list-style-type: none">1. Controleer de bedrading van de motor. Als u geen problemen vindt, vervang dan de motor
		<div style="text-align: center;"> WAARSCHUWING: Hoogspanning!</div>

GEbruikersHANDLEIDING

ONDERHOUDS- PROCEDURES

⚠ WAARSCHUWING: Voer nooit onderhoud uit aan de kachel als de stekker niet uit het stopcontact is verwijderd of als de kachel nog werkt of heet is. Ernstige brandwonden of elektrische schok kunnen het gevolg zijn.

DE BEHUIZING VERWIJDEREN

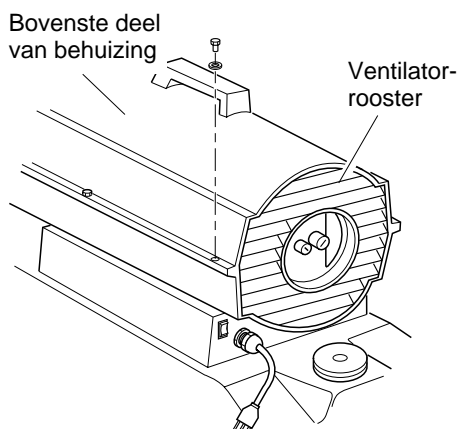
1. Verwijder schroeven aan beide zijden van kachel met een dopsleutel (5/16"). Met deze schroeven worden boven- en onderkant van behuizing aan elkaar bevestigd.
2. Til bovenste deel van de behuizing van kachel af.
3. Verwijder ventilatorrooster.

BRANDSTOFFILTER (Modellen B35CEH en B70CEH)

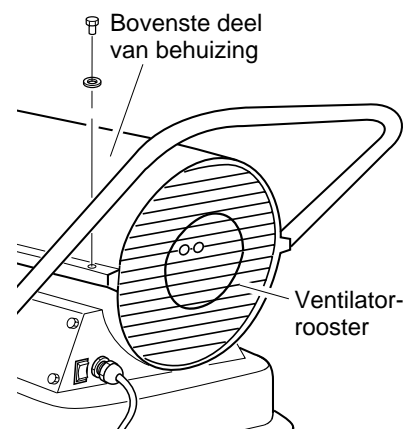
1. Verwijder schroeven van zijpaneel met een dopsleutel (5/16").
2. Verwijder zijpaneel.
3. Trek rubber brandstofslang van aansluiting op brandstoffilter.
4. Verwijder filter en bus voorzichtig uit brandstoftank.
5. Was filter met schone brandstof en plaats hem weer terug.
6. Breng rubber slang weer aan op aansluiting van filter.
7. Plaats zijpaneel weer terug.

BRANDSTOFFILTER (Modellen B100CEH en B150CEH)

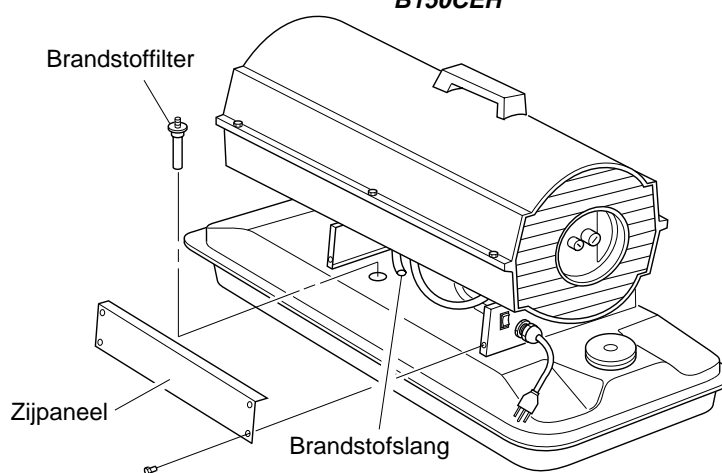
1. Verwijder schroeven van zijpaneel met een dopsleutel (5/16").
2. Verwijder zijpaneel.
3. Trek bovenste brandstofslang van aansluiting op brandstoffilter.
4. Verwijder voorzichtig bus, onderste brandstofslang en filter uit brandstoftank.
5. Was filter met schone brandstof en plaats hem weer terug.
6. Breng bovenste slang weer aan op aansluiting van filter.
7. Plaats zijpaneel weer terug.



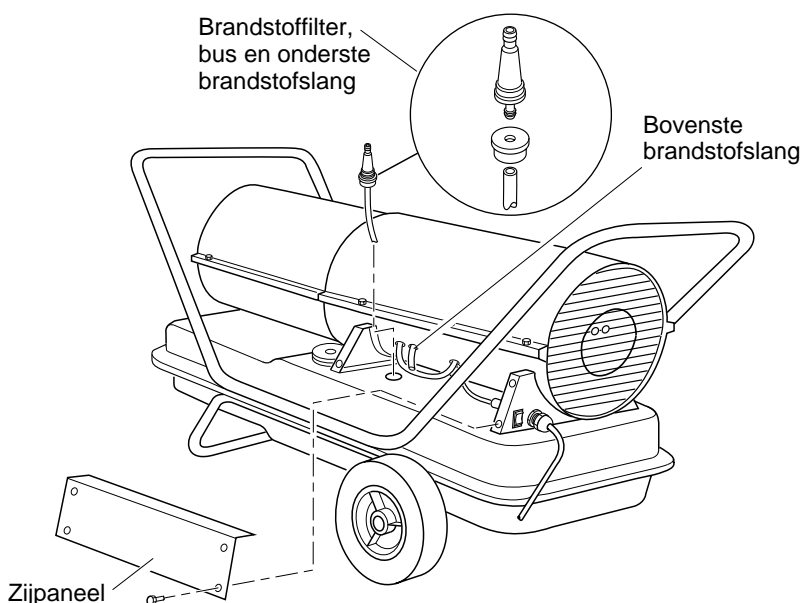
Figuur 7 - Verwijderen van bovenste deel van behuizing, modellen B35CEH en B70CEH



Figuur 8 - Verwijderen van bovenste deel van behuizing, Modellen B100CEH en B150CEH



Figuur 9 - Verwijderen van brandstoffilter, modellen B35CEH en B70CEH



Figuur 10 - Verwijderen van brandstoffilter, modellen B100CEH en B150CEH

Wordt vervolgd

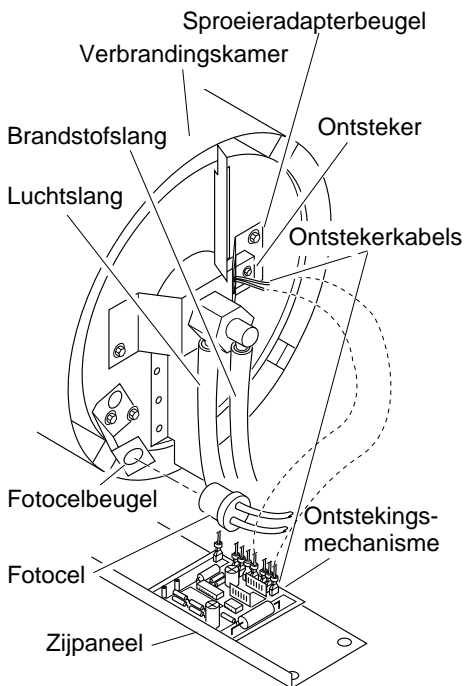
VERPLAATSBARE HETELUCHTKANONNEN

ONDERHOUDS- PROCEDURES

Vervolg

ONTSTEKER

1. Verwijder bovenste deel van behuizing en ventilatorrooster (zie pagina 9).
2. Verwijder ventilator (zie pagina 14).
3. Verwijder 4 schroeven uit zijpaneel met moersleutel (5/16"). Verwijder zijpaneel (zie figuur 9 of 10, pagina 9).
4. Maak ontstekerkabels (zwart) los van ontstekingsmechanisme (zie figuur 11). Trek ontstekerkabels omhoog door opening in onderste deel van behuizing.
5. Maak brandstof- en luchtslang los. Haal fotocel van beugel (zie figuur 11).

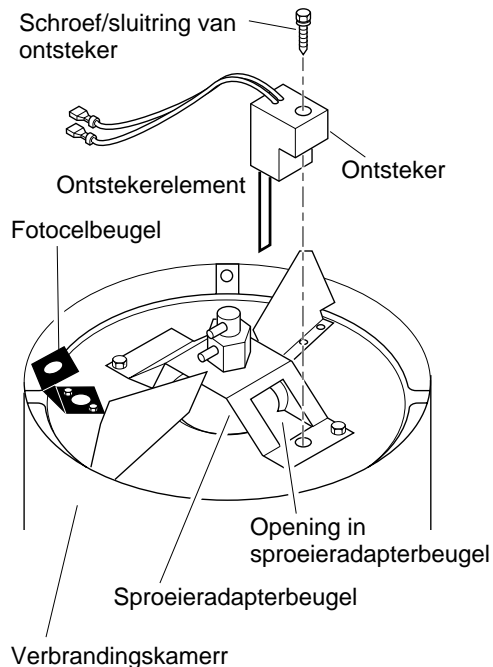


Figuur 11 - Ontstekerkabels losmaken van ontstekingsmechanisme

6. Verwijder verbrandingskamer. Zet verbrandingskamer rechtop met sproeieradapterbeugel bovenop (zie figuur 12).
7. Verwijder schroef uit ontsteker met een moersleutel (1/4"). Haal ontsteker voorzichtig uit sproeieradapterbeugel.

⚠ OPGELET: Ontstekerelement niet buigen of erop slaan. Voorzichtig behandelen.

8. Haal nieuwe ontsteker voorzichtig uit tempex verpakking.
9. Plaats ontsteker voorzichtig in opening in sproeieradapterbeugel. Niet op het ontstekerelement slaan. Bevestig ontsteker met een schroef aan sproeieradapterbeugel met behulp van een moersleutel (1/4") (zie figuur 12). Aandraaien tot 0,90 à 1,69 N-m (8 à 15 in-lb). Niet te strak aandraaien.



Figuur 12 - Vervangen van ontsteker

10. Plaats verbrandingskamer terug.
11. Steek ontstekerkabels weer omlaag door opening in onderste deel van behuizing. Sluit kabels aan op ontstekingsmechanisme.
12. Plaats zijpaneel terug (zie figuur 9 of 10, pagina 9).
13. Sluit brandstof- en luchtslang aan op branderkop. Zie *Vervangen en juiste plaatsing van brandstof- en luchtslang*, pagina 12.
14. Zet fotocel weer in fotocelbeugel. Leid de kabels zoals afgebeeld in figuur 17, 18 of 19, pagina 12.
15. Plaats ventilator terug (zie pagina 14).
16. Plaats ventilatorrooster en bovenste deel van behuizing terug (zie pagina 9).

GEBRUIKERSHANDLEIDING

ONDERHOUDS- PROCEDURES

Vervolg

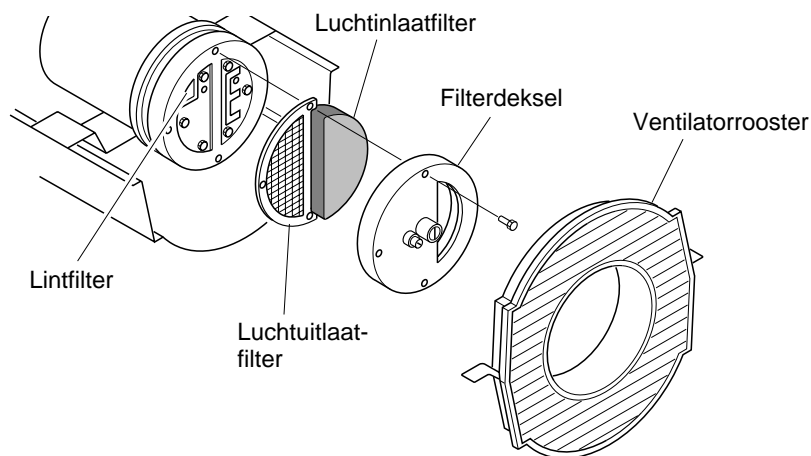
HET LUCHTUITLAAT-, LUCHTINLAAT- EN LINT- FILTER

1. Verwijder bovenste deel van behuizing (zie pagina 9).
2. Verwijder schroeven uit filterdeksel met een dopsleutel (5/16").
3. Verwijder filterdeksel.
4. Vervang luchtuitlaat- en lintfilter.
5. Was of vervang luchtinlaatfilter (zie *Preventief onderhoud*, pagina 6).
6. Breng filterdeksel weer aan.
7. Breng ventilatorrooster en bovenste deel van behuizing weer aan.

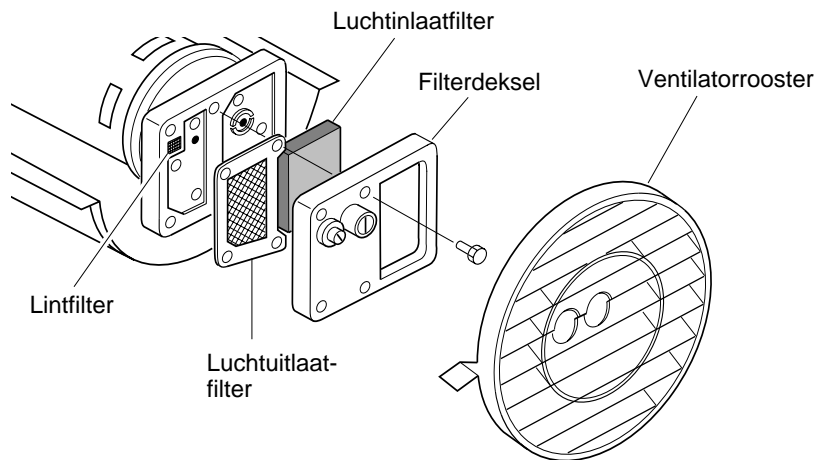
BELANGRIJK: Breng geen olie aan op de filters

DE POMPDRUK BIJSTELLEN

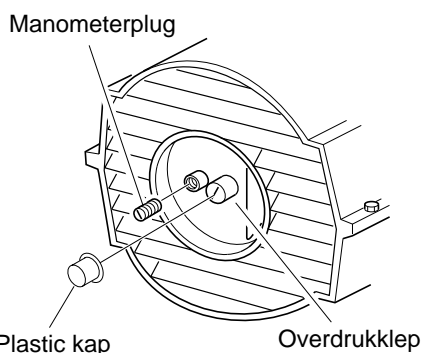
1. Verwijder manometerplug uit filterdeksel.
2. Monteer manometer (onderdeelnr. HA1180).
3. Zet kachel aan (zie *Bediening*, pagina 5). Laat motor op volle snelheid komen.
4. Stel druk bij. Draai overdrukkelep naar rechts voor hogere druk en naar links voor lagere druk. Zie gegevens hiernaast voor juiste druk voor diverse modellen.
5. Verwijder manometer. Breng manometerplug weer in filterdeksel aan.



Figuur 13 - Luchtuitlaat-, luchtinlaat- en lintfilter, modellen B35CEH en B70CEH

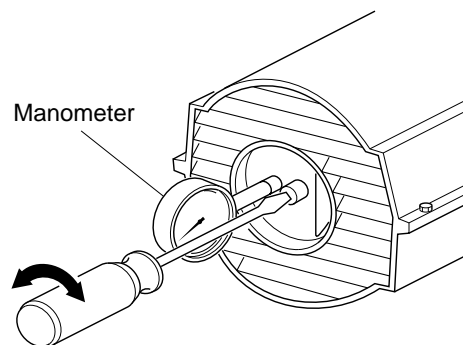


Figuur 14 - Luchtuitlaat-, luchtinlaat- en lintfilter, modellen B100CEH en B150CEH



Figuur 15 - Verwijderen van manometerplug
(Modellen B35CEH en B70CEH afgebeeld)

Model	Pompdruk
B35CEH	0,200 bar
B70CEH	0,338 bar
B100CEH	0,338 bar
B150CEH	0,380 bar



Figuur 16 - De pompdruk bijstellen

Wordt vervolgd

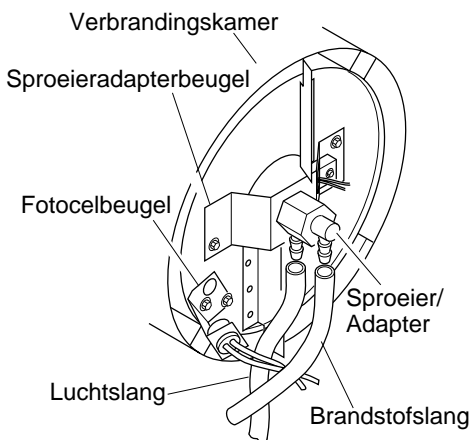
VERPLAATSBARE HETELUCHTKANONNEN

ONDERHOUDS- PROCEDURES

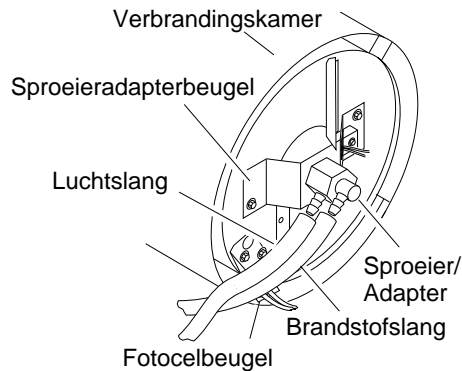
Vervolg

SPROEIER

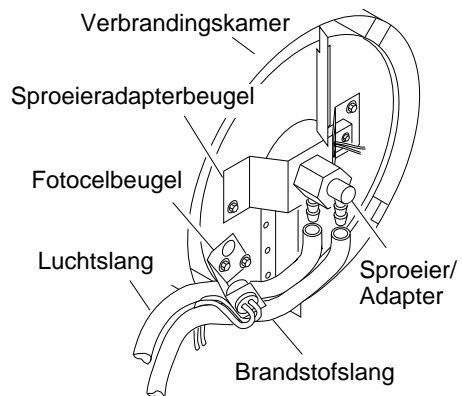
1. Verwijder bovenste deel van behuizing (zie pagina 9).
2. Verwijder ventilator (zie pagina 14).
3. Maak brandstof- en luchtslang los van sproeier (zie figuur 17, 18 of 19).
4. Draai sproeier kwartslag naar links en trek hem naar motor toe om hem te verwijderen (zie figuur 20).
5. Zet plastic zeskantig gedeelte losjes in een bankschroef vast.
6. Verwijder sproeier voorzichtig uit sproeieradapter met een dopsleutel (5/8"). Zie figuur 21.
7. Blaas perslucht door voorkant van sproeier. Hierdoor komt eventueel vuil uit sproeier los.
8. Controleer sproeierafdichting op beschadiging.
9. Draai sproeier weer in sproeieradapter tot deze op zijn plaats zit. Nog 1/3 slag aandraaien met een dopsleutel (5/8") tot 4,5 à 5,1 N-m (40 à 45 in-lbs). Zie figuur 21.
10. Bevestig sproeier op branderbeugel.
11. Bevestig brandstof- en luchtslang aan sproeier. Zie Vervangen en juiste plaatsing van brandstof- en luchtslang.
12. Plaats ventilator terug (zie pagina 14).
13. Plaats ventilatorrooster en bovenste deel van behuizing terug (zie pagina 9).



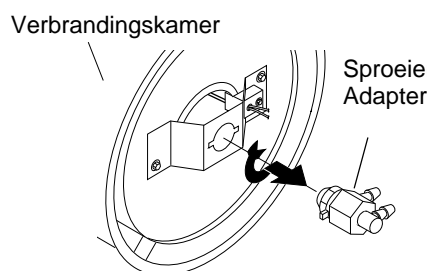
Figuur 17 - Lucht- en brandslang verwijderen (uitsluitend Modellen B35CEH en B70CEH)



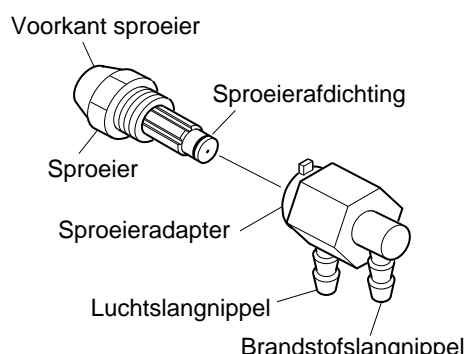
Figuur 18 - VLucht- en brandslang verwijderen (Uitsluitend model B100CEH)



Figuur 19 - VLucht- en brandslang verwijderen (Uitsluitend model B150CEH)



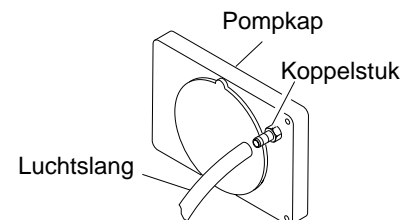
Figuur 20 - Sproeier/adapter verwijderen



Figuur 21 - Sproeier en sproeieradapter

VERVANGEN EN JUISTE PLAATSIJNG VAN BRAND- STOF- EN LUCHTSLANG

1. Verwijder bovenste deel van behuizing (zie pagina 9).
2. Maak schroeven uit zijpaneel los met moersleutel (5/16").
3. Verwijder zijpaneel.
4. Controleer brandstof- en luchtslang op scheuren en/of gaten. Als brandstofslang beschadigd is, losmaken van sproeieradapter (zie figuur 17, 18 of 19) en van brandstoffilter (zie pagina 9). Als luchtslang beschadigd is, losmaken van sproeieradapter (zie figuur 17, 18 of 19) en van koppelstuk op pompkap (zie figuur 22).
5. Breng nieuwe lucht- en/of brandstofslang aan. Bevestig het ene uiteinde van luchtslang aan koppelstuk op pompkap (zie figuur 22) en het andere uiteinde aan sproeieradapter (zie figuur 17, 18 of 19). Bevestig het ene uiteinde van brandstofslang aan brandstoffilter (zie pagina 9) en het andere uiteinde aan sproeieradapter (zie figuur 17, 18 of 19). Bij kachels van Modellen B35CEH en B70CEH lopen de lucht- en brandstofslang ongeveer zoals afgebeeld in figuur 17. *Let op:* Slangen mogen fotocelbeugel niet aanraken.
- Bij kachels van model B100CEH lopen de lucht- en brandstofslang ongeveer zoals afgebeeld in figuur 18. *Let op:* Slangen mogen fotocelbeugel niet aanraken.
- Bij kachels van model B150CEH lopen de lucht- en brandstofslang ongeveer zoals afgebeeld in figuur 19. *Let op:* Slangen mogen fotocelbeugel niet aanraken.
6. Plaats zijpaneel terug.
7. Plaats bovenste deel van behuizing en ventilatorrooster terug (zie pagina 9).



Figuur 22 - Luchtslang aan koppelstuk

GEBRUIKERSHANDLEIDING

ONDERHOUDS- PROCEDURES

Vervolg

POMPOTOR

(Procedure voor klemmende pomprotor)

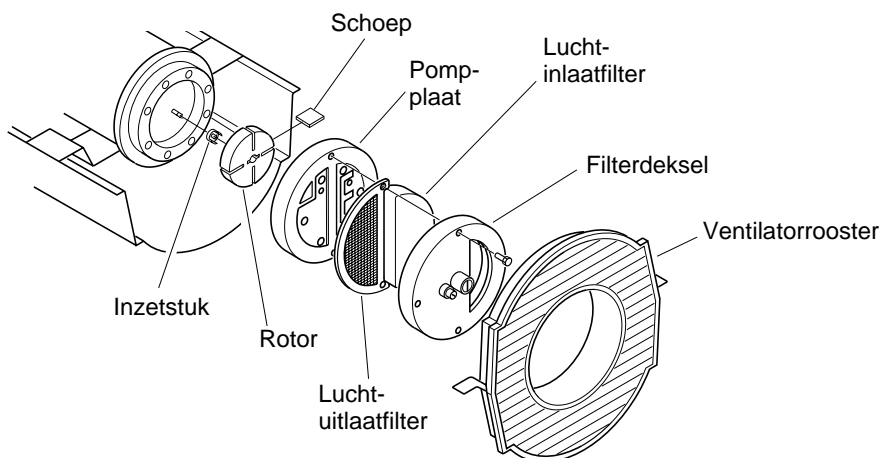
1. Verwijder bovenste deel van behuizing (zie pagina 9).
2. Draai schroeven van filterdeksel los met een dopsleutel (5/16").
3. Verwijder filterdeksel en luchtfilters.
4. Draai schroeven van pompplaat los met een dopsleutel (5/16").
5. Verwijder pompplaat.
6. Verwijder rotor, inzetstuk en schoepen.
7. Controleer of er vuil in pomp is. Eventueel schoonblazen met perslucht.
8. Breng inzetstuk en rotor weer aan.
9. Controleer speling rond rotor. Stel eventueel bij op 0,076-0,101 mm (zie figuur 25).

Let op: Draai rotor één volledige slag om er voor te zorgen dat daar waar rotor dichtst bij behuizing komt, de speling 0,076-0,101 mm is. Zonodig bijstellen.

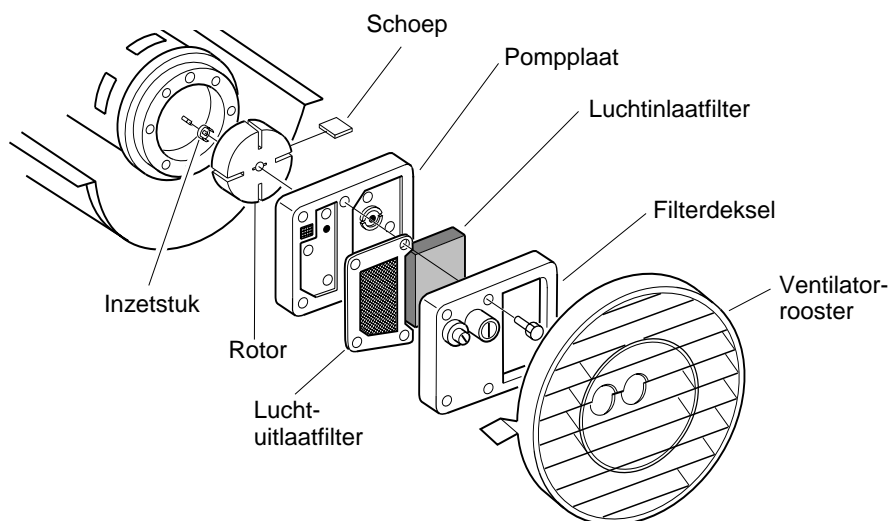
10. Plaats schoepen, pompplaat, luchtfilters en filterdeksel weer terug.
11. Breng ventilatorrooster en bovenste deel van behuizing weer aan.
12. Stel pompdruk bij (zie pagina 11).

Let op: Volg onderstaande stappen als rotor nog steeds klemt.

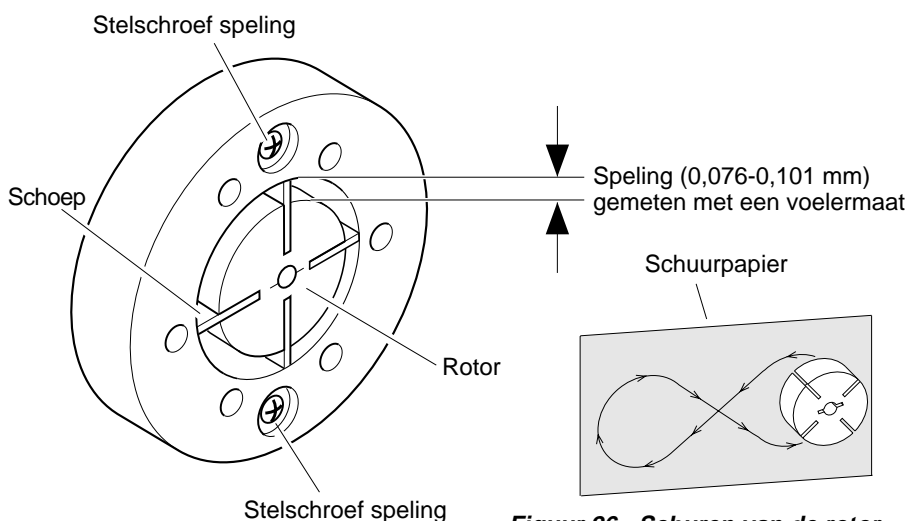
13. Volg stap 1 t/m 6 hierboven.
14. Leg vel fijn schuurpapier (nr. 600) op vlakke ondergrond. Schuur rotor lichtjes vier keer in een 8-baan patroon (zie figuur 26).
15. Breng inzetstuk en rotor weer aan.
16. Voer bovenstaande stappen 10 t/m 12 uit.



Figuur 23 - Plaats van rotor, modellen B35CEH en B70CEH



Figuur 24 - Plaats van rotor, modellen B100CEH en B150CEH



Figuur 25 - Plaats van stelschroeven speling

Figuur 26 - Schuren van de rotor

Wordt vervolgd

VERPLAATSBARE HETELUCHTKANONNEN

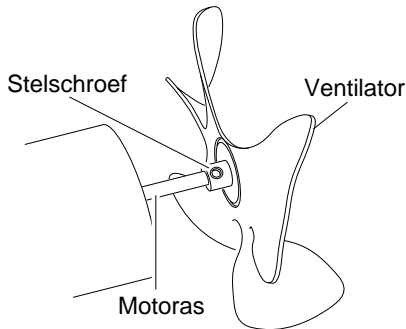
ONDERHOUDS- PROCEDURES

Vervolg

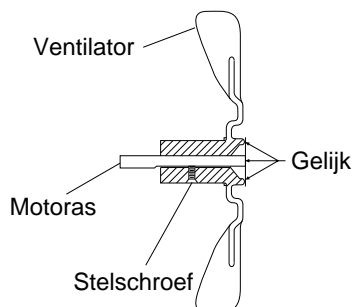
VENTILATOR

BELANGRIJK: Verwijder ventilator van motoras alvorens motor uit kachel te nemen. Als gewicht van motor op ventilator komt te rusten, kan spoed van ventilator veranderd worden.

1. Verwijder bovenste deel van behuizing (zie pagina 9).
2. Gebruik een inbussleutel (1/8") voor losdraaien van stelschroef waarmee ventilator op motoras zit.
3. Schuif ventilator van motoras af.
4. Maak ventilator schoon met een met lichtpetroleum of oplosmiddel vochtig gemaakte, zachte doek.
5. Droog ventilator grondig.
6. Plaats ventilator weer op motoras. Zorg dat uiteinde van motoras gelijk ligt met naaf van ventilator (zie figuur 28).
7. Plaats stelschroef op platte gedeelte van as en draai hem stevig aan (4,5-5,6 N.m).
8. Breng ventilatorrooster en bovenste deel van behuizing weer aan.



Figuur 27 - Plaats van ventilator, motoras en stelschroef



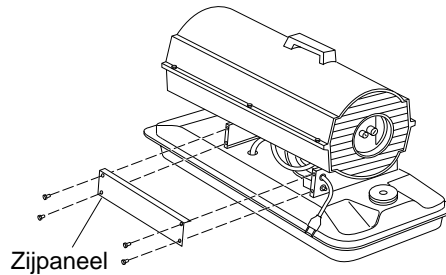
Figuur 28 - Dwarsdoorsnede ventilator

ONTSTEKINGSMECHANISME

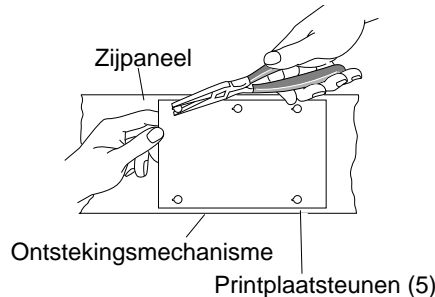
WAARSCHUWING: Haal de stekker van het heteluchtkanon uit het stopcontact voordat u service uitvoert.

Oud ontstekingsmechanisme verwijderen

1. Verwijder de vier schroeven uit het zijpaneel met een 5/16" moer- of dopsleutel (zie Figuur 29).
2. Maak de negen draden los van het ontstekingsmechanisme.
3. Grijp met behulp van een langbektang de tab van de printplaatsteun en til deze op de rand van het ontstekingsmechanisme (zie Figuur 30). Herhaal dit voor de overige vier printplaatsteunen en verwijder het mechanisme.



Figuur 29 - Deksel verwijderen



Figuur 30 - Printplaat verwijderen

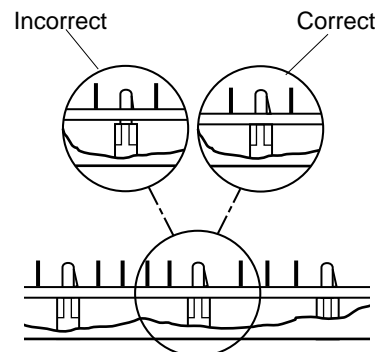
Nieuw mechanisme installeren

OPGELET: Het ontstekingsmechanisme bevat elektrostatische componenten. Houd het mechanisme vast aan de randen van de printplaat. Raak geen van de snelaansluitingen of elektronische componenten aan.

1. Lijn de vijf gaten in het mechanisme uit met de vijf printplaatsteunen in het zijpaneel.
2. Houd het mechanisme vast aan de randen van de printplaat en oefen neerwaartse druk uit tot alle vijf de tabs van de printplaatsteunen door veerkracht worden vastgezet. Trek het mechanisme even omhoog om dit te controleren (zie Figuur 31).
3. Sluit de negen draden aan op het ontstekingsmechanisme, zoals afgebeeld op het bedradingsschema op pagina 15.

OPGELET: Controleer de aansluitingen nogmaals. Het verkeerd aansluiten van het ontstekingsmechanisme kan schade aan het ontstekingsmechanisme en/of andere componenten in het heteluchtkanon veroorzaken.

4. Plaats het zijpaneel terug op het heteluchtkanon met behulp van een 5/16" moer- of dopsleutel. Draai de schroeven goed vast. Niet te strak aan draaien!



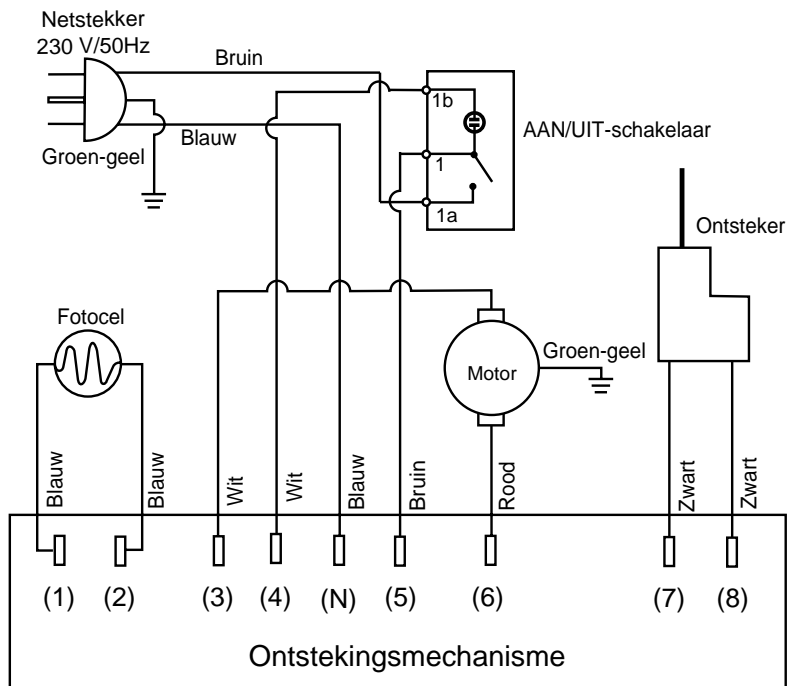
Figuur 31 - Printplaat aan tabs vastmaken

GEBRUIKERSHANDLEIDING

TECHNISCHE GEGEVENS

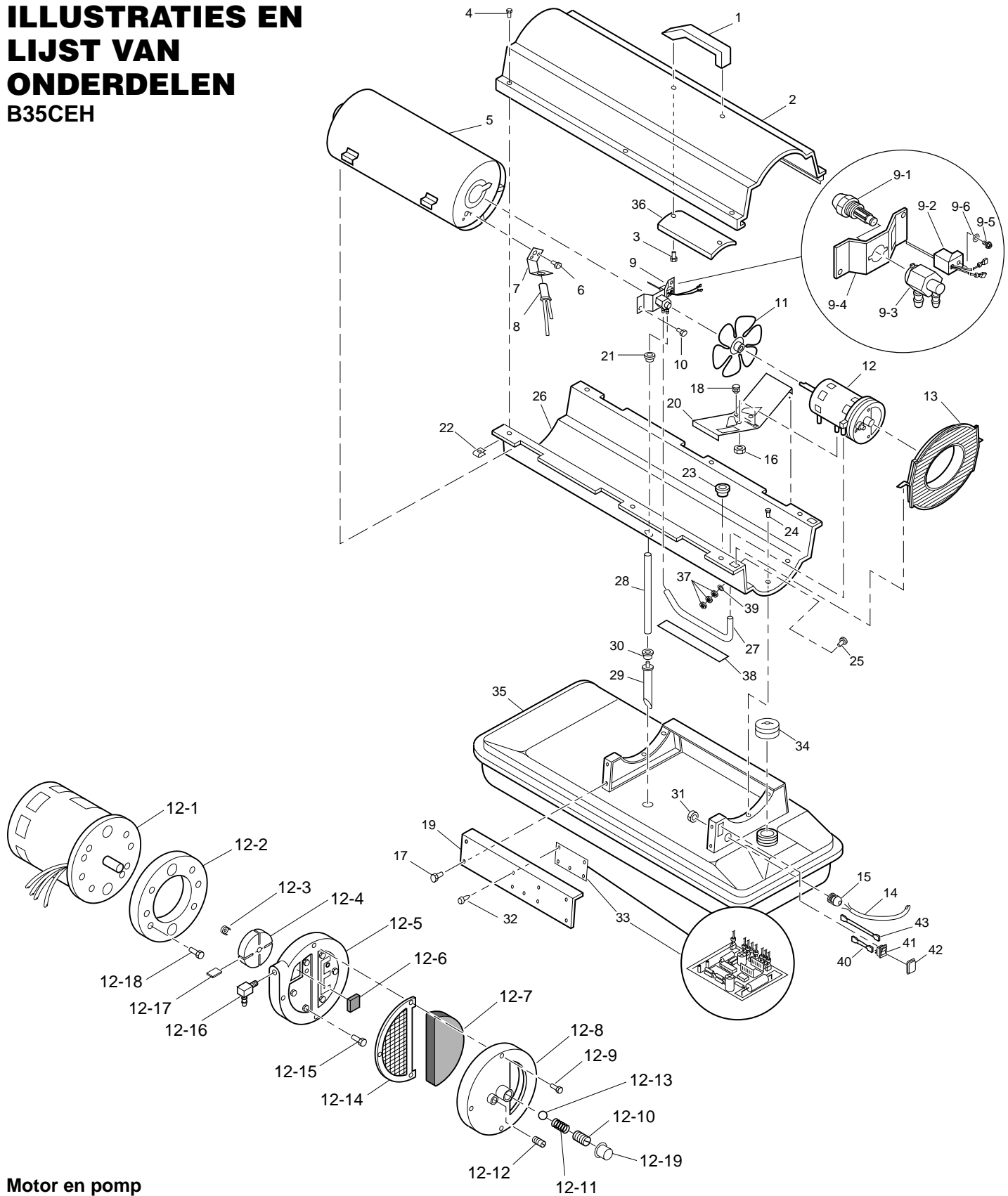
Vermogen (Btu/uur)	35.000	70.000	100.000	150.000
Brandstof	Gebruik uitsluitend lichtpetroleum of huisbrandolie nr. 1 (hbo 1)			
Tankinhoud (l)	11,4	18,9	34	51,1
Brandstofverbruik (l/uur)	1,1	1,97	3,0	4,1
Netspanning	230 V/50 Hz (alle modellen)			
Stroomsterkte (normaal bedrijf)	0,8 A	1,0 A	1,2 A	1,2 A
Blaasvermogen hete lucht (m ³ /min)	4	6,4	12	14,2
Toerental	1425	2850	2850	2850

BEDRADINGSSCHEMA'S



VERPLAATSBARE HETELUCHTKANONNEN

ILLUSTRATIES EN LIJST VAN ONDERDELEN B35CEH



Motor en pomp

GEBRUIKERSHANDLEIDING

LIJST VAN ONDERDELEN B35CEH

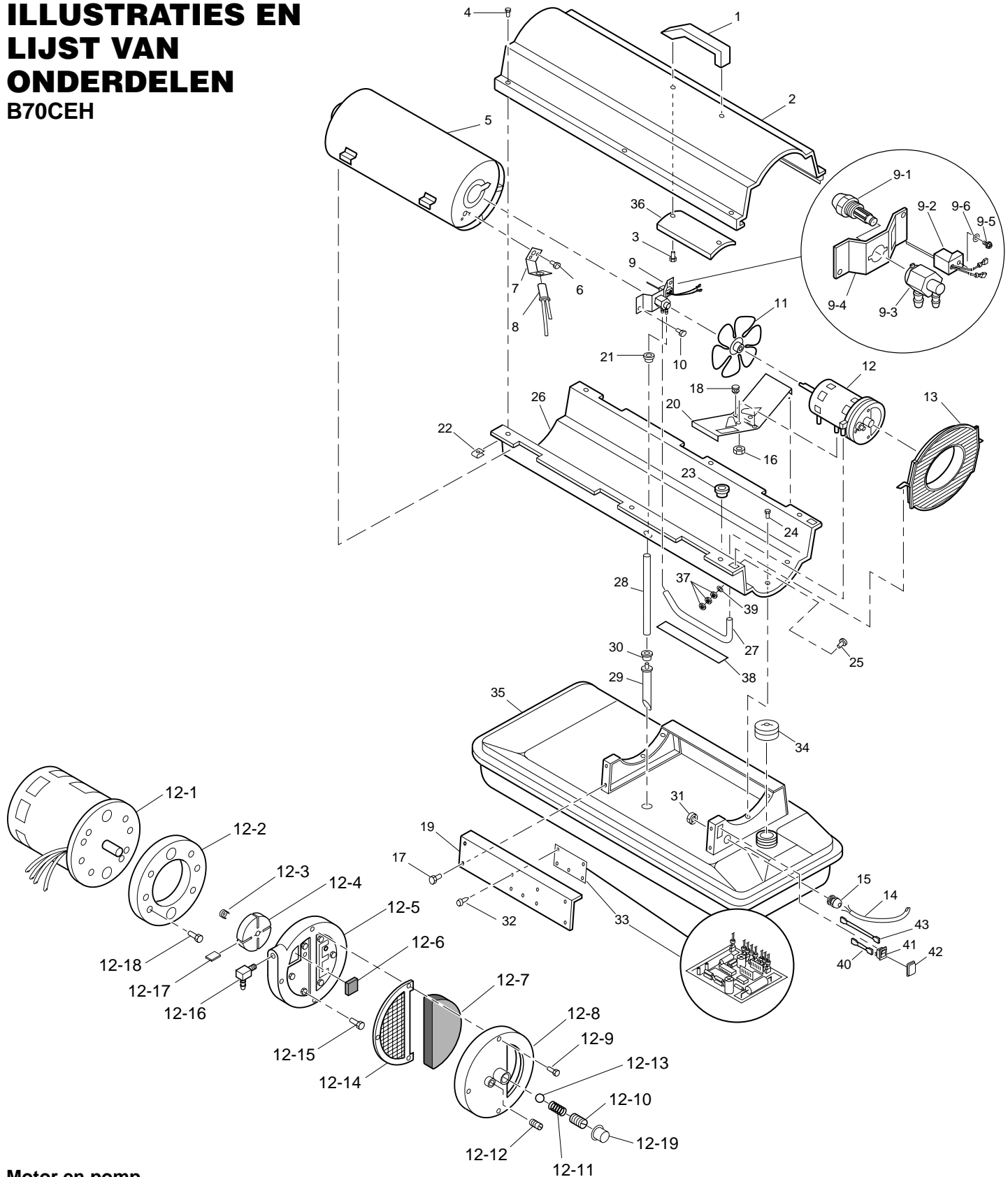
Deze lijst geeft de vervangbare onderdelen die in uw heteluchtkanon gebruikt zijn. Zorg bij het bestellen van onderdelen dat u het juiste model- en serienummer (te vinden op het modelplaatje) en vervolgens het onderdeelnummer en de beschrijving van het gewenste onderdeel opgeeft.

NUM-MER	ONDERDEEL-NUMMER	OMSCHRIJVING	AAN-TAL	NUM-MER	ONDERDEEL-NUMMER	OMSCHRIJVING	AAN-TAL
1	M51104-01	Hendel	1	14	079673-07	Netsnoer	1
2	098511-256	Bovenste deel behuizing	1	15	M50400	Rekontlastingsbus	1
3	M11084-29	Schroef, nr. 10-16 x 3/4"	2	16	NTC-4C	Zeskantmoer	2
4	102432-01	Schroef/veering, 1/2"	6	17	102431-01	Schroef/veering, 1/2"	4
5	098512-63	Verbrandingskamer	1	18	M50631	Rubber stootblokje	2
6	M10908-2	Schroef, nr. 6-32 x 3/8"	2	19	097461-09	Zijpaneel	1
7	103154-03	Fotocelbeugel	1	20	101205-01	Motorbeugel	1
8	M16656-24	Fotocel	1	21	M30865-02	Bus	1
9	**	Branderbeugel	1	22	M11271-8	Klemmoer	6
9-1	HA3006	Sproeier	1	23	M50104-02	Bus (draden)	1
9-2	102548-05	Ontstekerset	1	24	102431-01	Schroef/veering, 1/2"	6
9-3	104056-01	Sproeieradapter	1	25	RF3-4B	Schroef, nr. 10-32 x 1/2"	1
9-4	102336-01	Sproeieradapterbeugel	1	26	098511-237	Onderste deel behuizing	1
9-5	M10908-75	Schroef, nr. 6-32 x 7/8"	1	27	M50814-06	Rubber luchtslang	1
9-6	103347-01	Schotelveer	1	28	M29652-05	Brandstofslang	1
10	102431-01	Schroef/veering, 1/2"	2	29	108060-01	Brandstoffilter	1
11	103684-01	Ventilator	1	30	M10990-3	Rubber bus	1
12	**	Motor en pomp	1	31	102861-01	Nylon borgmoer	1
12-1	102001-25	Motor	1	32	102349-01	Bevestiging voor printkaart	5
12-2	079975-03	Pomphuis	1	33	104068-04	Ontstekingsmechanisme	1
12-3	M22009	Inzetstuk	1	34	097702-01	Vuldop brandstoftank	1
12-4	M22456-2	Rotor	1	35	108088-01	Brandstoftank	1
12-5	M29608	Pompkap	1	36	M51108-01	Hittescherm	1
12-6	M29632	Lintfilter	1	37	NPF-3B	Moer, nr. 10-32	3
12-7	M29633	Luchtinlaatfilter	1	38	097785-01	Vinyl schuimafdichting	1
12-8	M29609	Filterdeksel	1	39	WLE-3	Sluitring, nr. 10	1
12-9	M12461-31	Schroef, nr. 10-32 x 1"	3	40	079010-39	Draadstel (bruin)	1
12-10	M27694	Stelschroef	1	41	105793-01	AAN/UIT-schakelaar	1
12-11	M10993-1	Drukontlastingsveer	1	42	079919-01	Schakelaardekplaatje	1
12-12	M22997	Plug	1	43	079010-40	Draadstel (wit)	1
12-13	M8940	Kogel (diameter 1/4")	1	ONDERDELEN LEVERBAAR - NIET AFGEBEELD			
12-14	M29612-01	Luchtuitlaatfilter	1				
12-15	M12461-32	Schroef, nr. 10-32 x 1 1/8"	6		HA2210	Filter vulhals	1
12-16	103676-01	Kniestuk, 90° (koppelstuk)	1		103814-01	Draadbinder	1
12-17	M8643-2	Schoep	4		097649-01	Sticker, merknaam	2
12-18	FHPF3-6C	Schroef, nr. 10-32 x 3/4"	2		106013-01	Pakket met stickers	1
12-19	105780-01	Plastic kap	1		105880-01	Zekering	1
13	M51105-01	Ventilatorrooster	1				

** Niet als samenstel leverbaar; onderdelen apart bestellen.

VERPLAATSBARE HETELUCHTKANONNEN

ILLUSTRATIES EN LIJST VAN ONDERDELEN B70CEH



Motor en pomp

GEBRUIKERSHANDLEIDING

LIJST VAN ONDERDELEN B70CEH

Deze lijst geeft de vervangbare onderdelen die in uw heteluchtkanon gebruikt zijn. Zorg bij het bestellen van onderdelen dat u het juiste model- en serienummer (te vinden op het modelplaatje) en vervolgens het onderdeelnummer en de beschrijving van het gewenste onderdeel opgeeft.

NUM-MER	ONDERDEEL-NUMMER	OMSCHRIJVING	AAN-TAL	NUM-MER	ONDERDEEL-NUMMER	OMSCHRIJVING	AAN-TAL
1	M51104-01	Hendel	1	14	079673-07	Netsnoer	1
2	098511-256	Bovenste deel behuizing	1	15	M50400	Rekontlastingsbus	1
3	M11084-29	Schroef, nr. 10-16 x 3/4"	2	16	NTC-4C	Zeskantmoer	2
4	102432-01	Schroef/veering, 1/2"	6	17	102431-01	Schroef/veering, 1/2"	4
5	098512-64	Verbrandingskamer	1	18	M50631	Rubber stootblokje	2
6	M10908-2	Schroef, nr. 6-32 x 3/8"	2	19	097461-09	Zijpaneel	1
7	103154-03	Fotocelbeugel	1	20	101205-01	Motorbeugel	1
8	M16656-24	Fotocel	1	21	M30865-02	Bus	1
9	**	Branderbeugel	1	22	M11271-8	Klemmoer	6
9-1	HA3026H	Sproeier	1	23	M50104-02	Bus (draden)	1
9-2	102548-05	Ontstekerset	1	24	102431-01	Schroef/veering, 1/2"	6
9-3	104056-01	Sproeieradapter	1	25	RF3-4B	Schroef, nr. 10-32 x 1/2"	1
9-4	102336-01	Sproeieradapterbeugel	1	26	098511-237	Onderste deel behuizing	1
9-5	M10908-75	Schroef, nr. 6-32 x 7/8"	1	27	M50814-06	Rubber luchtslang	1
9-6	103347-01	Schotelveer	1	28	M29652-05	Brandstofslang	1
10	102431-01	Schroef/veering, 1/2"	2	29	108060-03	Brandstoffilter	1
11	103684-01	Ventilator	1	30	M10990-3	Rubber bus	1
12	**	Motor en pomp	1	31	102861-01	Nylon borgmoer	1
12-1	102001-23	Motor	1	32	102349-01	Bevestiging voor printkaart	5
12-2	079975-02	Pomphuis	1	33	104068-04	Ontstekingsmechanisme	1
12-3	M22009	Inzetstuk	1	34	097702-01	Vuldop brandstoftank	1
12-4	M22456-1	Rotor	1	35	108088-03	Brandstoftank	1
12-5	M29608	Pompkap	1	36	M51108-01	Hittescherm	1
12-6	M29632	Lintfilter	1	37	NPF-3B	Moer, nr. 10-32	3
12-7	M29633	Luchtinlaatfilter	1	38	097785-01	Vinyl schuimafdichting	1
12-8	M29609	Filterdeksel	1	39	WLE-3	Sluitring, nr. 10	1
12-9	M12461-31	Schroef, nr. 10-32 x 1"	3	40	079010-39	Draadstel (bruin)	1
12-10	M27694	Stelschroef	1	41	105793-01	AAN/UIT-schakelaar	1
12-11	M10993-1	Drukontlastingsveer	1	42	079919-01	Schakelaardekplaatje	1
12-12	M22997	Plug	1	43	079010-40	Draadstel (wit)	1
12-13	M8940	Kogel (diameter 1/4")	1	ONDERDELEN LEVERBAAR - NIET AFGEBEELD			
12-14	M29612-01	Luchtuitlaatfilter	1		HA2210	Filter vulhals	1
12-15	M12461-31	Schroef, nr. 10-32 x 1"	6		103814-01	Draadbinder	1
12-16	103676-01	Kniestuk, 90° (koppelstuk)	1		097649-01	Sticker, merknaam	2
12-17	M8643	Schoep	4		106013-02	Pakket met stickers	1
12-18	FHPF3-5C	Schroef, nr. 10-32 x 5/8"	2		105880-01	Zekering	1
12-19	105780-01	Plastic kap	1				
13	M51105-01	Ventilatorrooster	1				

** Niet als samenstel leverbaar; onderdelen apart bestellen.

GEBRUIKERSHANDLEIDING

LIJST VAN ONDERDELEN B100CEH

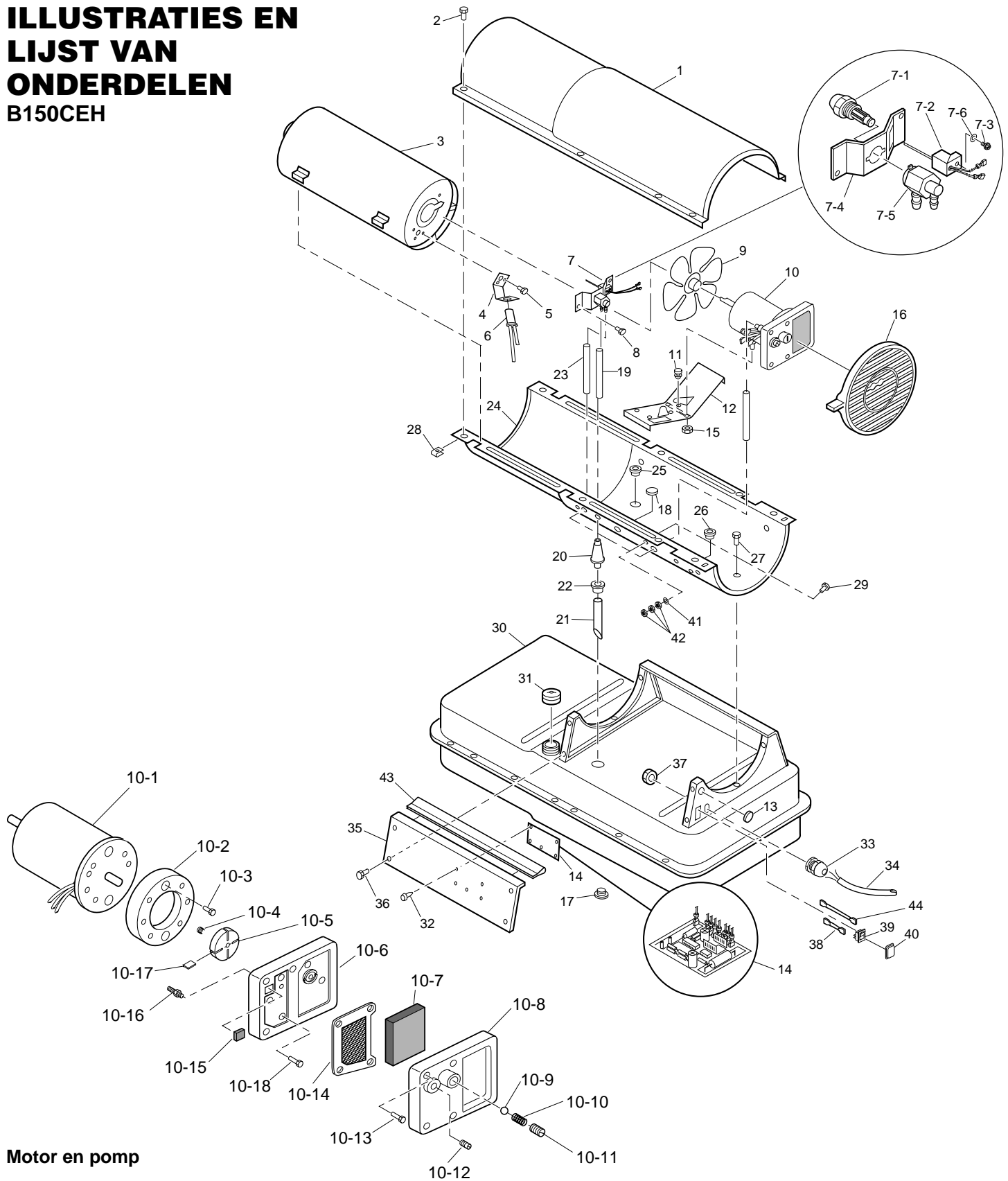
Deze lijst geeft de vervangbare onderdelen die in uw heteluchtkanon gebruikt zijn. Zorg bij het bestellen van onderdelen dat u het juiste model- en serienummer (te vinden op het modelplaatje) en vervolgens het onderdeelnummer en de beschrijving van het gewenste onderdeel opgeeft.

NUM-MER	ONDERDEEL-NUMMER	OMSCHRIJVING	AAN-TAL	NUM-MER	ONDERDEEL-NUMMER	OMSCHRIJVING	AAN-TAL
1	098511-257	Bovenste deel behuizing	1	16	M51114-01	Ventilatorrooster	1
2	102432-01	Schroef/veering, 1/2"	8	17	M27417	Aftapstop (inclusief "O"-ring)	1
3	098512-65	Verbrandingskamer	1	18	099213-01	Ronde stop	1
4	103971-01	Fotocelbeugel	1	19	M51345-01	Brandstofslang	1
5	M10908-2	Schroef, nr. 6-32 x 3/8"	2	20	107961-01	Brandstoffilter	1
6	M16656-24	Fotocel	1	21	M51151-01	Brandstofslang	1
7	**	Branderkop	1	22	M10990-3	Rubber Bus	1
7-1	HA3027	Sproeier	1	23	M50814-03	Luchtslang	1
7-2	102548-05	Ontstekerset	1	24	098511-236	Onderste deel behuizing	1
7-3	M10908-75	Schroef, nr. 6-32 x 7/8"	1	25	M50104-03	Bus	1
7-4	102336-01	Sproeieradapterbeugel	1	26	M50104-01	Bus	1
7-5	104054-01	Sproeieradapter	1	27	102431-01	Schroef/veering, 1/2"	6
7-6	103347-01	Schotelveer	1	28	M11271-8	Klemmoer	8
8	102431-01	Schroef/veering, 1/2"	2	29	RF3-4B	Schroef, nr. 10-32 x 1/2"	1
9	102042-01	Ventilator	1	30	108088-04	Brandstoftank	1
10	**	Motor en pomp	1	31	097702-01	Vuldop brandstoftank	1
10-1	102001-24	Motor (met condensator)	1	32	102349-01	Bevestiging voor printkaart	5
10-2	079975-02	Pomphuis	1	33	M50400	Rekontlastingsbus	1
10-3	FHPF3-5C	Schroef, nr. 10-32 x 5/8"	2	34	079673-07	Netsnoer	1
10-4	M22009	Inzetstuk	1	35	M51077-15	Zijpaneel	1
10-5	M22456-1	Rotor	1	36	102431-01	Schroef/veering, 1/2"	4
10-6	M50545	Pompkap	1	37	102861-01	Nylon borgmoer	1
10-7	M12179	Luchtinlaatfilter	1	38	079010-39	Draadstel (bruin)	1
10-8	M16545	Filterdeksel	1	39	105793-01	AAN/UIT-schakelaar	1
10-9	M8940	Kogel (diameter 1/4")	1	40	079919-01	Schakelaardekplaatje	1
10-10	M10993-1	Drukontlastingsveer	1	41	WLE-3	Sluistring, nr. 10	1
10-11	M27694	Stelschroef	1	42	NPF-3B	Moer, nr. 10-32	3
10-12	M22997	Plug	1	43	097468-01	Randbekleding	1
10-13	M12461-31	Schroef, nr. 10-32 x 1"	10	44	079010-40	Draadstel (wit)	1
10-14	M12244-1	Luchtuinlaatfilter	1	ONDERDELEN LEVERBAAR - NIET AFGEBEELD			
10-15	M11637	Lintfilter	1				
10-16	M50820-02	Koppelstuk	1				
10-17	M8643	Schoep	4		HA2210	Filter vulhals	1
11	M50631	Rubber stootblokje	2		103814-01	Draadbinder	1
12	101206-01	Beugel, motor	1		097650-01	Sticker, merknaam	2
13	101695-01	Ronde stop	1		106013-03	Pakket met stickers	1
14	104068-04	Ontstekingsmechanisme	1		105880-01	Zekering	1
15	NTC-4C	Zeskantmoer	2				

** Niet als samenstel leverbaar; onderdelen apart bestellen.

VERPLAATSBARE HETELUCHTKANONNEN

ILLUSTRATIES EN LIJST VAN ONDERDELEN B150CEH



Motor en pomp

GEBRUIKERSHANDLEIDING

LIJST VAN ONDERDELEN B150CEH

Deze lijst geeft de vervangbare onderdelen die in uw heteluchtkanon gebruikt zijn. Zorg bij het bestellen van onderdelen dat u het juiste model- en serienummer (te vinden op het modelplaatje) en vervolgens het onderdeelnummer en de beschrijving van het gewenste onderdeel opgeeft.

NUM-MER	ONDERDEEL-NUMMER	OMSCHRIJVING	AAN-TAL	NUM-MER	ONDERDEEL-NUMMER	OMSCHRIJVING	AAN-TAL
1	098511-257	Bovenste deel behuizing	1	15	NTC-4C	Zeskantmoer	2
2	102432-01	Schroef/veering, 1/2"	8	16	M51114-01	Ventilatorrooster	1
3	098512-66	Verbrandingskamer	1	17	M27417	Aftapstop (inclusief "O"-ring)	1
4	103154-05	Fotocelbeugel	1	18	099213-01	Ronde stop	1
5	M10908-2	Schroef, nr. 6-32 x 3/8"	2	19	M51345-04	Brandstofslang	1
6	M16656-24	Fotocel	1	20	107961-01	Brandstoffilter	1
7	**	Branderkop	1	21	M51151-02	Brandstofslang	1
7-1	100735-24	Sproeier	1	22	M10990-3	Rubber Bus	1
7-2	102548-05	Ontstekerset	1	23	M50814-03	Luchtslang	1
7-3	M10908-75	Schroef, nr. 6-32 x 7/8"	1	24	098511-236	Onderste deel behuizing	1
7-4	102336-01	Sproeieradapterbeugel	1	25	M50104-03	Bus	1
7-5	104054-01	Sproeieradapter	1	26	M50104-01	Bus	1
7-6	103347-01	Schotelveer	1	27	102431-01	Schroef/veering, 1/2"	6
8	102431-01	Schroef/veering, 1/2"	2	28	M11271-8	Klemmoer	8
9	102042-01	Ventilator	1	29	RF3-4B	Schroef, nr. 10-32 x 1/2"	1
10	**	Motor en pomp	1	30	108088-05	Brandstoftank	1
10-1	102001-24	Motor (met condensator)	1	31	097702-01	Vuldop brandstoftank	1
10-2	079975-03	Pomphuis	1	32	102349-01	Bevestiging voor printkaart	5
10-3	FHPF3-6C	Schroef, nr. 10-32 x 3/4"	2	33	M50400	Rekontlastingsbus	1
10-4	M22009	Inzetstuk	1	34	079673-07	Netsnoer	1
10-5	M22456-2	Rotor	1	35	M51077-15	Zijpaneel	1
10-6	M50545	Pompkap	1	36	102431-01	Schroef/veering, 1/2"	4
10-7	M12179	Luchtinlaatfilter	1	37	102861-01	Nylon borgmoer	1
10-8	M16545	Filterdeksel	1	38	079010-39	Draadstel (bruin)	1
10-9	M8940	Kogel (diameter 1/4")	1	39	105793-01	AAN/UIT-schakelaar	1
10-10	M10993-1	Drukontlastingsveer	1	40	079919-01	Schakelaardekplaatje	1
10-11	M27694	Stelschroef	1	41	WLE-3	Sluitring, nr. 10	1
10-12	M22997	Plug	1	42	NPF-3B	Moer, nr. 10-32	3
10-13	M12461-31	Schroef, nr. 10-32 x 1"	4	43	097468-01	Randbekleding	1
10-14	M12244-1	Luchtuitleatfilter	1	44	079010-40	Draadstel (wit)	1
10-15	M11637	Lintfilter	1	ONDERDELEN LEVERBAAR - NIET AFGEBEELD			
10-16	M50820-02	Koppelstuk	1				
10-17	M8643-2	Schoep	4				
10-18	M12461-32	Schroef, nr. 10-32 x 1 1/8"	6				
11	M50631	Rubber stootblokje	2		HA2210	Filter vulhals	1
12	101206-01	Beugel, motor	1		103814-01	Draadbinder	1
13	101695-01	Ronde stop	1		097650-01	Sticker, merknaam	2
14	104068-04	Ontstekingsmechanisme	1		106013-04	Pakket met stickers	1
					105880-01	Zekering	1

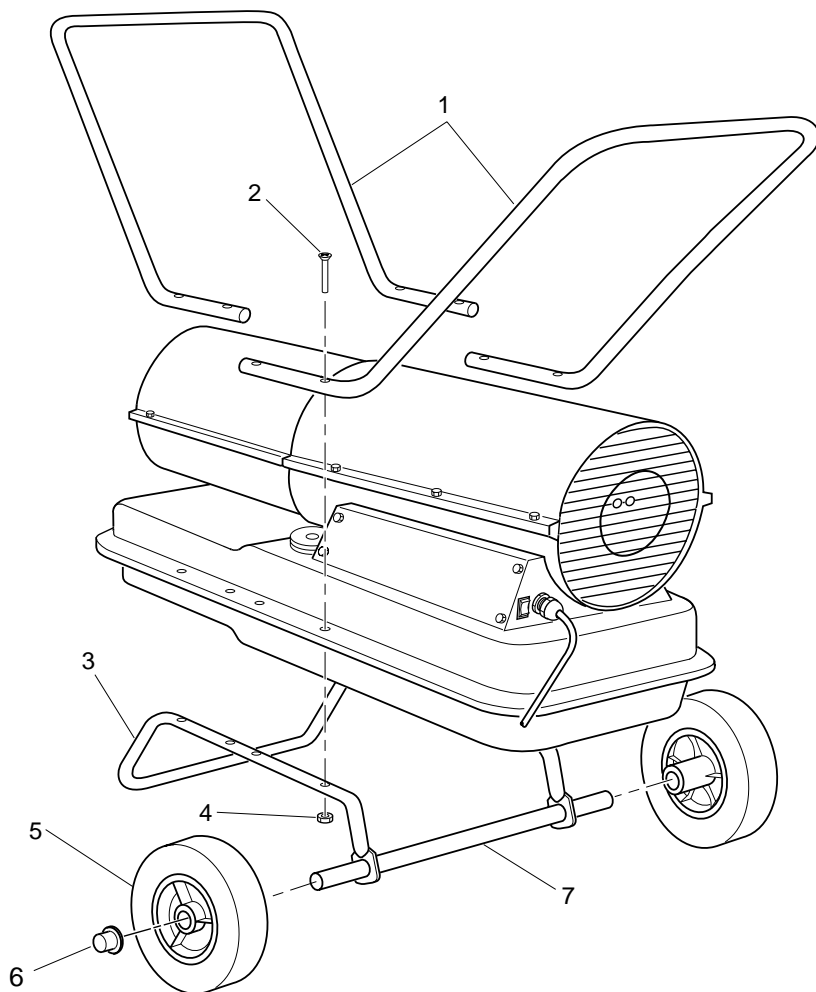
** Niet als samenstel leverbaar; onderdelen apart bestellen.

VERPLAATSBARE HETELUCHTKANONNEN

VERRIJDBARE ONDERSTELLEN EN HENDELS

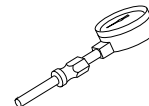
MODELLEN 100.000 EN
150.000 BTU/UUR

NUMMER	ONDERDEEL-NUMMER	OMSCHRIJVING	100.000 AANTAL	150.000 AANTAL
1	HA2203	Hendels	2	—
	HA2204	Hendels	—	2
2	M12345-33	Schroef, nr. 10-24 x 1 ³ / ₄ "	8	8
3	M12342-3	Onderstel	1	—
	M12831-3	Onderstel	—	1
4	NTC-3C	Zeskantmoer, nr. 10-24	8	8
5	107426-01	Wiel (2)	1	1
6	M28526	Asmoer	2	2
7	M51015-01	As	1	—
	M16801-2	As	—	1



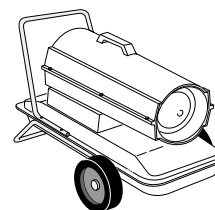
ACCESSOIRES

Verkrijgbaar bij de plaatselijke dealer.



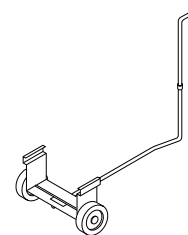
MANOMETERSET - HA1180

Voor alle modellen. Speciaal voor het controleren van de pompdruk.



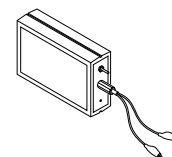
ZWAAR UITGEVOERD ONDERSTEL EN HENDEL - HA1202

Voor zwaar werk. Maakt het heteluchtkanon makkelijker verplaatsbaar. Voor modellen B35CEH en B70CEH.



STANDAARD ONDERSTEL EN HENDEL - HA1206

Maakt het heteluchtkanon makkelijker verplaatsbaar. Gemakkelijk in elkaar te zetten. Voor modellen B35CEH en B70CEH.



TESTAPPARAAT VOOR ONTSTEKINGSMECHANISME/ FOTOCEL - HA1170

Speciaal gereedschap om het ontstekingsmechanisme en de fotocel te testen.

GEBRUIKERSHANDLEIDING

CONFORMITEITS- VERKLARING VOOR DE EU

CONFORMITEITSVERKLARING VOOR DE EU

DESA Europe B.V.
Innsbruckweg 144, 3047 AH
Postbus 11158
3004 ED Rotterdam
Holland

Fabrikant:
DESA International, Inc.
2701 Industrial Drive
Bowling Green, KY 42101 V.S.

Draagbare heteluchtkanonnen op petroleum
Modelnr.: B35CEH, B70CEH, B100CEH, B150CEH

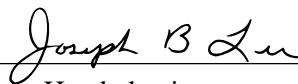
Hierbij wordt verklaard dat deze modellen voldoen aan de machinerichtlijn 98/37/EG, waaronder 91/368/EEG en de richtlijn voor laagspanning 73/23/EEG. Verder wordt verklaard dat deze modellen voldoen aan de EMC-richtlijn 89/336/EEG, geamendeerd door 92/31/EEG en omvattende EN50081-1 en EN50082-1.

Wij verklaren dat de aangegeven modellen voldoen aan de richtlijn.

Firma	DESA International, Inc.
Naam	Joseph B. Lee
Functie	Vice-president, Heating Products Engineering

07/25/2000 – Bowling Green, KY

Datum en plaats



Handtekening

GARANTIE EN REPARATIESERVICE

WAARBORG ALGEMENE APPARATUUR - BEPERKTE GARANTIE GEDURENDE 1 JAAR

DESA International garandeert dat door DESA verkochte nieuwe produkten vrij zijn van gebreken in materiaal en afwerking gedurende 1 jaar na de datum van aanvankelijke levering aan de eerste koper onderhevig aan de volgende voorwaarden:

Verplichtingen en aansprakelijkheid van DESA International voortvloeiend uit dit contract blijven uitdrukkelijk beperkt tot het naar goeddunken van DESA International repareren of vervangen van onderdelen waarvan DESA International na controle meent dat ze wellicht defect waren in materiaal of afwerking ten tijde van verzending vanaf de fabriek. Deze onderdelen worden kosteloos aan de gebruiker beschikbaar gesteld bij een door de fabriek erkend servicecentrum of op de fabriek gedurende normale openingstijden. De Garantie is niet van toepassing op onderdelen of accessoires van produkten die niet door DESA International zijn vervaardigd en waarop de garantie van de fabrikant van toepassing is of op normaal onderhoud (zoals bijv. het bijstellen van de druk) of op vervangingsonderdelen voor normaal onderhoud (zoals filters en bougies). Onderdelen ter reparatie of vervanging aangebracht in het onder deze garantie vallende Produkt zijn uitsluitend gegarandeerd voor de resterende geldigheidsperiode van deze Garantie, alsof dergelijke onderdelen originele onderdelen waren van voornoemd Produkt. DESA INTERNATIONALBIEDT GEEN ANDERE UITDRUKKELIJKE GARANTIE. VOOR ZOVER TOEGESTAAN IN DE WET BIEDT DESA INTERNATIONAL GEEN IMPLICIETE GARANTIE EN GEEN GARANTIE VAN VERKOOPBAARHEID OF GESCHIKTHEID VOOR EEN BEPAALD DOEL. IMPLICIETE GARANTIES MET INBEGRIJ VAN DE GARANTIE VAN VERKOOPBAARHEID EN

GESCHIKTHEID VOOR EEN BEPAALD DOEL BLIJVEN IN IEDER GEVAL BEPERKT TOT DE GELDIGHEIDSPERIODE VAN DEZE UITDRUKKELIJKE GARANTIE.

Alle verzendkosten, installatiekosten, invoerrechten, belastingen of welke andere kosten dan ook worden door de gebruiker betaald. Verplichtingen van DESA International voortvloeiend uit deze beperkte Garantie omvatten geen enkele aansprakelijkheid voor directe, indirecte, incidentele schade of gevolgschade of oponthoud. Op verzoek van DESA International moeten Produkten of onderdelen waarop garantie wordt geclaimd, naar de fabriek worden geretourneerd waarbij verzendkosten vooraf door de gebruiker worden betaald. Verkeerd gebruik van welke aard dan ook met inbegrip van gebruik na het constateren van defecte of versleten onderdelen, gebruik buiten het vermogen, niet door DESA International goedgekeurde vervanging van onderdelen of aanpassingen van welke aard dan ook of reparatie door anderen op zodanige wijze dat het Produkt naar mening van DESA International aanmerkelijk en ten ongunste is gewijzigd, doen deze Garantie vervallen.

GEEN WERKNEMER OF VERTEGENWOORDIGER IS TOEGESTAAN OP WELKE WIJZE DAN OOK VERANDERINGEN AAN TE BRENGEN IN DEZE GARANTIE OF EEN ANDERE GARANTIE TE VERLENEN TENZIJ EEN DERGELIJKE GARANTIE SCHRIFTELIJK WORDT VERSTREKT EN OP HAAR HOOFDKANTOOR WORDT ONDERTEKEND DOOR EEN FUNCTIONARIS VAN DESA INTERNATIONAL.

GARANTIESERVICE

Vermeld in uw schrijven altijd het model- en serienummer.

Wij behouden het recht voor om deze technische gegevens te allen tijde zonder kennisgeving te wijzigen. De enige van toepassing zijnde garantie is de gebruikelijke, schriftelijke garantie van DESA International. Wij geven geen andere garantie, expliciet of impliciet.

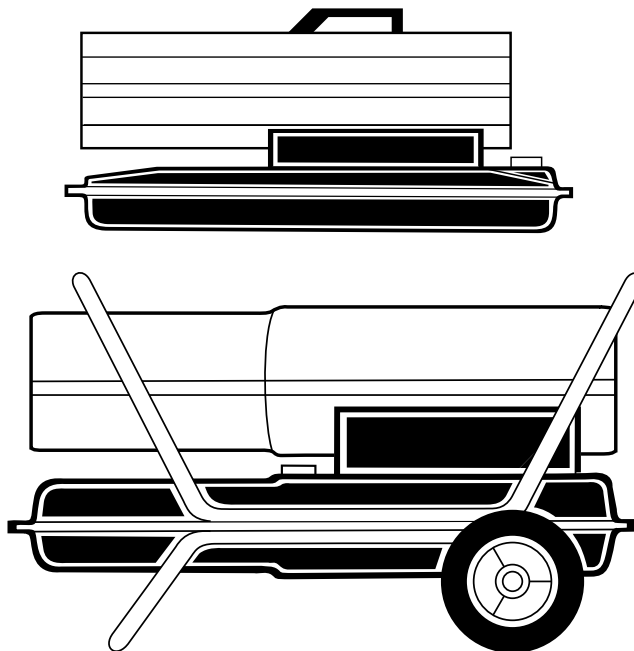
Gebruikershandleidingen zijn verkrijgbaar door te schrijven naar de Technical Service Department (Afdeling Technische Service) van:

DESA
INTERNATIONAL
Corporate Headquarters
2701 Industrial Drive
P.O. Box 90004
Bowling Green, Kentucky 42102-9004
U.S.A.

MASTER[®]

TRAGBARE HOCHDRUCK- HEISSLUFTTURBINEN

BEDIENUNGSANLEITUNG



Heizgerät-Größen: 35.000, 70.000, 100.000, 150.000 BTU/Std.
Modelle: B35CEH, B70CEH, B100CEH und B150CEH

WICHTIG: Bitte lesen Sie diese Bedienungsanleitung, bevor Sie das Gerät zusammenbauen, in Betrieb setzen oder mit Wartungsarbeiten beginnen. Beachten Sie bitte, daß bei unsachgemäßer Anwendung dieses Heizgerätes die Gefahr ernsthafter Körperverletzung besteht. Heben Sie diese Bedienungsanleitung auf, um sie bei Bedarf zur Verfügung zu haben.



TRAGBARE HOCHDRUCK-HEISSLUFTTURBINEN

SICHERHEITS- INFORMATIONEN

WARNHINWEISE

WICHTIG: Lesen Sie diese Bedienungsanleitung sorgfältig und vollständig durch, bevor Sie versuchen, dieses Heizgerät zusammenzubauen, zu bedienen oder zu warten. Unsachgemäße Verwendung dieses Heizgerätes kann schwere Verletzungen oder Tod durch Verbrennung, Feuer, Explosion, Elektroschock sowie Kohlenmonoxydvergiftung hervorrufen.

 GEFAHR: Eine Kohlenmonoxydvergiftung kann tödlich sein!

Kohlenmonoxydvergiftung: Die frühen Anzeichen einer Kohlenmonoxydvergiftung gleichen denen einer Grippe, also Kopfschmerzen, Schwindel und/oder Übelkeit. Falls Sie diese Symptome bemerken sollten, kann dies ein Anzeichen sein, daß Ihr Heizgerät nicht richtig funktioniert. **Begeben Sie sich sofort ins Freie!** Lassen Sie Ihr Heizgerät nachsehen. Gewisse Personen sind anfälliger für Kohlenmonoxyd als andere: z.B. schwangere Frauen, Personen mit einer Herz- oder Lungenkrankheit oder Anämie, Personen unter Einfluß von Alkohol und solche, die sich in Höhenlagen befinden.

Vergewissern Sie sich, daß Sie alle Warnungshinweise gelesen und verstanden haben. Bewahren Sie diese Anleitung zum Nachschlagen auf. Es ist Ihr Führer für die sichere und sachgemäße Bedienung dieses Heizgeräts.

- Verwenden Sie nur Kerosin oder Heizöl EL, um die Feuer- und Explosionsgefahr zu vermeiden. Auf keinen Fall Benzin, Naphtha, Farblösungsmittel, Alkohol und andere hochentzündliche Kraftstoffe verwenden.
- Kraftstoff auffüllen:
 - a) Das mit dem Auffüllen von Kraftstoff beschäftigte Personal muß geschult werden und mit den Anweisungen des Herstellers und den anwendbaren Richtlinien für das sichere Auffüllen von Heizgeräten vollkommen vertraut sein.

b) Es darf nur die Art des Kraftstoffes verwendet werden, die auf dem Datenschild des Heizgerätes angegeben ist.

c) Jede Flamme, einschließlich der Zündflamme, muß gelöscht werden, um das Heizgerät vor dem Auffüllen von Kraftstoff abkühlen zu lassen.

d) Während des Auffüllens von Kraftstoff müssen alle Kraftstoffleitungen und -anschlüsse auf Undichtheiten untersucht werden. Eventuelle Undichtheiten müssen vor einer erneuten Inbetriebnahme des Heizgeräts repariert werden.

e) Nicht mehr als den Tagesbedarf an Kraftstoff innerhalb von Gebäuden in der Nähe des Heizgerätes lagern. Umfangreiche Kraftstoffvorräte außerhalb des Gebäudes lagern.

f) Alle Kraftstofflager müssen einen Mindestabstand von 762 cm (25 Fuß) zu Heizgeräten, Brennern, Schweißgeräten und ähnlichen Entzündungsquellen (Ausnahme: der im Heizgerät integrierte Kraftstoffbehälter) aufweisen.

g) Nach Möglichkeit soll die Kraftstofflagerung auf Bereiche beschränkt werden, in denen die Bodenkonstruktion Ansammlungen von ausgelaufenem Kraftstoff verhindert und Kraftstoff nicht durch tiefergelegene Feuerquellen entzündet werden kann.

h) Die Kraftstofflagerung hat gemäß den lokalen behördlichen Vorschriften zu erfolgen.

- Das Heizgerät niemals in der Nähe von Benzin, Farblösungsmitteln oder anderen leicht entflammaren Dämpfen betreiben.
- Alle örtlichen Bestimmungen und Vorschriften für die Verwendung dieses Heizgeräts befolgen.
- Heizgeräte, die in der Nähe von Abdeckmatten, Zeltleinwand oder anderen Bedachungsstoffen betrieben werden, müssen in einem sicheren Abstand zu diesen Materialien aufgestellt werden. Der empfohlene Mindestabstand beträgt 305 cm (10 Fuß). Es wird außerdem empfohlen, daß feuerfeste Bedachungsstoffe verwendet werden. Die Bedachungsstoffe müssen sicher

befestigt sein, um sie vor Entzündung zu schützen und um zu verhindern, daß sie das Heizgerät bei Windstößen berühren und umkippen.

- Nur in gut gelüfteten Räumen betreiben. Vor der Inbetriebnahme darauf achten, daß pro 100.000 BTU/Std. Heizleistung eine Lüftungsöffnung von mindestens 2800 cm² (drei Quadratfuß) zu frischer Außenluft vorhanden ist.
- Nur an Orten verwenden, an denen keine entzündbaren Dämpfe bzw. kein hoher Staubgehalt vorhanden ist.
- Nur unter der auf dem Typenschild angegebenen Stromspannung und -frequenz betreiben.
- Stets ein ordnungsgemäß geerdetes Verlängerungskabel mit Dreistiftstecker benutzen.
- Mindestabstand zu entzündbaren Stoffen:
Auslaß: 250 cm (8 Fuß)
Seiten, Oberseite und Rückseite: 125 cm (4 Fuß).
- Zur Vermeidung von Feuergefahr muß das heiße oder in Betrieb befindliche Heizgerät auf einer sicheren, ebenen Fläche aufgestellt sein.
- Das Heizgerät muß in waagerechter Position bewegt oder gelagert werden, um das Verschütten von Kraftstoff zu vermeiden.
- Kinder und Haustiere vom Heizgerät fernhalten.
- Den Stecker aus der Steckdose ziehen, wenn das Heizgerät nicht in Betrieb ist.
- Bei Verwendung mit einem Thermostat kann sich das Heizgerät jederzeit einschalten.
- Das Heizgerät niemals in Wohn- oder Schlafräumen benutzen.
- Niemals den Lufteinlaß (Rückseite) oder den Luftauslaß (Vorderseite) des Heizgeräts blockieren.
- Das heiße, in Betrieb befindliche oder am Stromnetz angeschlossene Heizgerät niemals bewegen, bedienen, mit Kraftstoff auffüllen oder warten.
- Keine Rohrleitungen an der Vorder- oder Rückseite des Heizgeräts anbringen.

BEDIENUNGSANLEITUNG

PRODUKT- BESCHREIBUNG

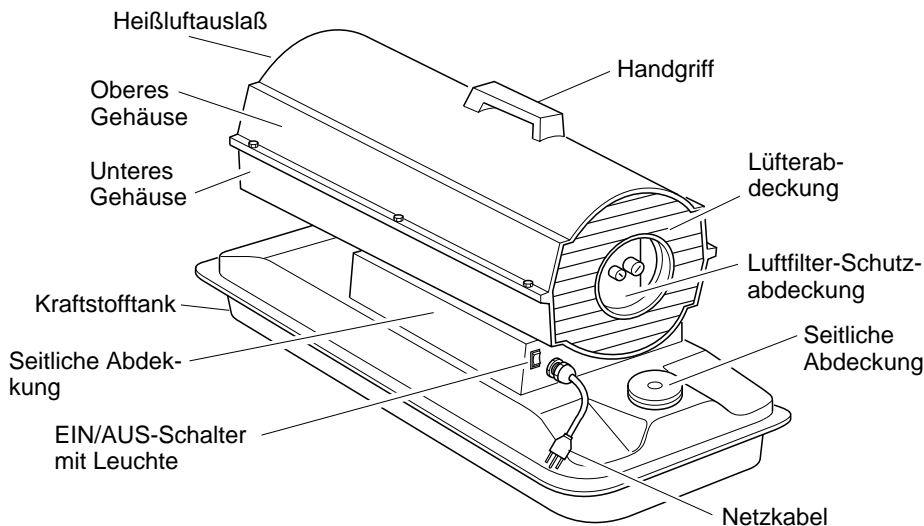


Abbildung 1 - B35CEH und B70CEH Modelle

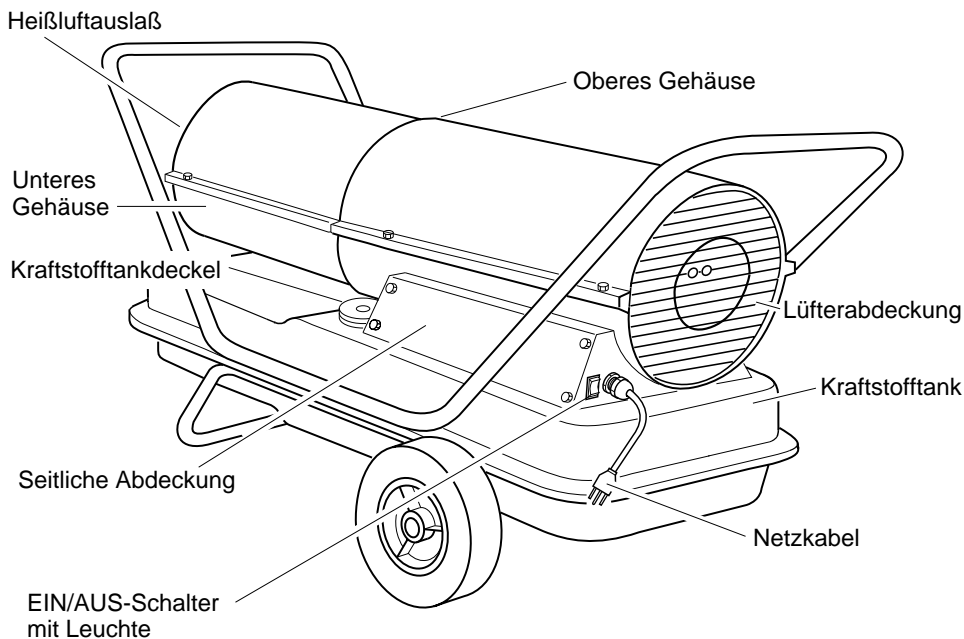


Abbildung 2 - B100CEH und B150CEH Modelle

AUSPACKEN

1. Alles Packmaterial entfernen, mit dem das Heizgerät zum Versand verpackt ist.
2. Das Heizgerät aus dem Versandkarton entnehmen.
3. Das Heizgerät auf Transportschäden prüfen. Wenn das Heizgerät beschädigt ist, sofort den Händler benachrichtigen, bei dem das Gerät gekauft wurde.

KRAFTSTOFFE

⚠ ACHTUNG: Verwenden Sie nur Kerosin oder Heizöl EL, um die Gefahr von Feuer oder Explosion zu vermeiden. Auf keinen Fall Benzin, Naphtha, Farblösungsmittel, Alkohol oder andere leicht entzündliche Kraftstoffe verwenden.

Keine Schwerkraftstoffe wie z.B. Heizöl EL schwer und Dieselöl verwenden. Die Verwendung dieser Kraftstoffe hat folgende Konsequenzen:

- Verstopfen des Kraftstofffilters und der Düse
- Notwendigkeit der Beimengung eines ungiftigen Frostschutzmittels bei sehr tiefen Temperaturen.

WICHTIG: Einen Behälter NUR FÜR KEROSIN benutzen. Vergewissern Sie sich, daß der Behälter sauber ist. Fremdstoffe wie Rost, Schmutz oder Wasser führen dazu, daß die Sicherheitsvorrichtung das Heizgerät abschaltet. Außerdem werden Sie durch Fremdstoffe auch dazu gezwungen, das Kraftstoffsystem häufiger zu reinigen.

TRAGBARE HOCHDRUCK-HEISSLUFTTURBINEN

ZUSAMMENBAU

(NUR FÜR B100CEH UND B150CEH MODELLE)

Diese Modelle werden mit Rädern und Handgriffen geliefert. Die Räder, Handgriffe und dazugehörigen Befestigungsteile befinden sich im Versandkarton.

Nötiges Werkzeug

- Ein mittelgroßer Kreuz-Schraubendreher
- 3/8 Zoll Gabelschlüssel oder Verstellschlüssel
- Hammer

1. Die Achse durch den Radstützrahmen schieben. Die Räder an der Achse befestigen. **WICHTIG:** Bei der Montage der Räder muß die verlängerte Radnabe in Richtung des Radstützrahmens zeigen (siehe Abbildung 3).
2. An jedem Ende der Achse eine Überwurfmutter aufsetzen und diese durch leichtes Anklopfen mit dem Hammer befestigen.
3. Das Heizgerät auf den Radstützrahmen aufsetzen. Darauf achten, daß der Lufteinlaß des Heizgerätes (hinten) sich über den Rädern befindet. Die Löcher am Kraftstofftankflansch mit den Löchern auf dem Radstützrahmen ausrichten.

4. Den vorderen und den hinteren Handgriff auf den Kraftstofftankflansch setzen. Die Schrauben durch die Handgriffe, den Kraftstofftankflansch und den Radstützrahmen führen. Nachdem eine Schraube eingesetzt ist, die entsprechende Mutter jeweils mit der Hand festziehen.
5. Wenn alle Schrauben angebracht sind, die Muttern fest anziehen.

ENTLÜFTUNG

⚠ ACHTUNG: Die Mindestvorschriften für die Entlüftung beachten. Falls nicht ausreichend frische Außenluft zugeführt wird, kann Kohlenmonoxydvergiftung die Folge sein. Bevor Sie das Heizgerät in Betrieb nehmen, sollten Sie für ausreichende Frischluft sorgen.

Stellen Sie eine Frischluftöffnung von mindestens 2800 cm² (drei Quadratfuß) pro 100.000 BTU/Std. zur Verfügung. Falls mehrere Heizgeräte eingesetzt werden, muß für eine zusätzliche Frischluftzufuhr gesorgt werden.

Beispiel: Ein 150.000 BTU/Std. Heizgerät benötigt eine der folgenden Voraussetzungen:

- ein Doppelgaragentor (4,9 Meter [16 Fuß] Öffnung), das 9 cm (3,5 Zoll) geöffnet ist
- ein Einfachgaragentor (2,75 Meter [9 Fuß] Öffnung), das 15,25 cm (6 Zoll) geöffnet ist
- zwei 76 cm (30 Zoll) breite Fenster, die 28 cm (11 Zoll) hoch geöffnet sind

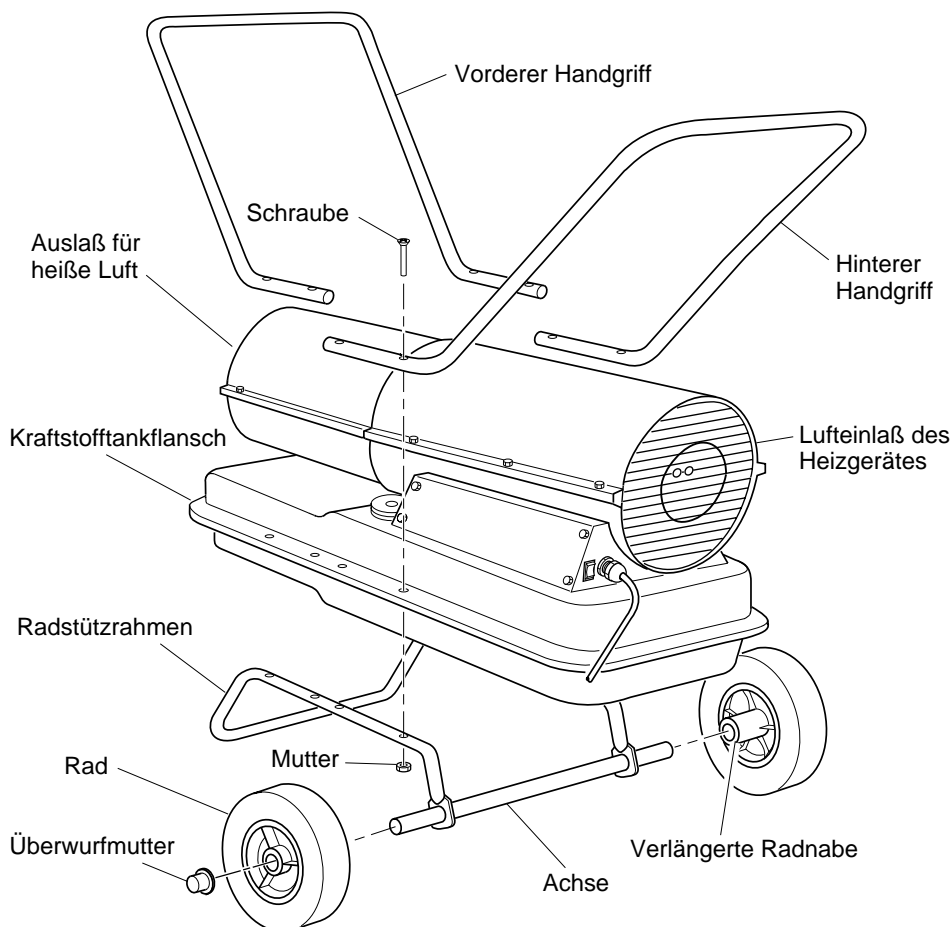


Abbildung 3 - Rad- und Handgriffmontage

BEDIENUNGSANLEITUNG

ARBEITSWEISE

Das Kraftstoffsystem: Die Luftpumpe drückt Luft durch die Luftleitung. Die Luft wird dann durch die Brennkopfdüse gedrückt. Die Luft verursacht, daß der Kraftstoff aus dem Tank nach oben gesaugt wird. Ein feiner Kraftstoffnebel wird in die Brennkammer gesprüht.

Das Luftsystem: Der Motor treibt den Lüfter an. Der Lüfter treibt die Luft in und die Brennkammer. Diese Luft wird erhitzt und liefert einen sauberen, heißen Luftstrom.

Das Zündsystem: Die Zündstromanlage sendet Zündstrom an den Zünder. Dieser entzündet das Kraftstoff-/Luftgemisch in der Brennkammer.

Die Sicherheitsvorrichtung: Dieses System bewirkt, daß sich das Heizgerät abschaltet, sobald die Flamme erlischt.

BEDIENUNG

⚠ ACHTUNG: Die Warnungen im Abschnitt **Sicherheitsinformationen** müssen gelesen und verstanden werden. Sie müssen beachtet werden, um dieses Heizgerät sicher zu bedienen. Es sind alle örtlichen Bestimmungen und Vorschriften bei der Verwendung dieses Heizgeräts zu befolgen.

EINSCHALTEN DES HEIZGERÄTS

1. Alle Informationen bezüglich Entlüftung und Sicherheitsmaßnahmen befolgen.
2. Den Kraftstofftank mit Kerosin oder Heizöl EL auffüllen.
3. Den Kraftstofftankdeckel anbringen.
4. Das Netzkabel des Heizgeräts an eine standardmäßige Schutzkontaktsteckdose (220Volt/50 Hertz, geerdet) anschließen. Wenn nötig, ein Verlängerungskabel verwenden. Nur ein geerdetes Verlängerungskabel mit Dreistiftstecker verwenden.

BESTIMMUNG ÜBER DIE DRAHTSTÄRKE VON VERLÄNGERUNGSKABELN

Bis zu einer Länge von 30,5 m (100 Fuß) ein Kabel mit 1,0 mm² (16 AWG) Leitern verwenden.

Zwischen 30,6 und 61 m (101 bis 200 Fuß) ein Kabel mit 1,5 mm² (14 AWG) Leitern verwenden.

Den EIN/AUS-Schalter auf EIN (I) stellen und das Heizgerät sollte sich nach 5 Sekunden einschalten. Wenn das Heizgerät nach fünf Sekunden nicht startet, siehe *Fehler-suche* auf Seite 7 und 8.

ABSCHALTEN DES HEIZGERÄTES

Den EIN-/AUS-Schalter auf AUS (OFF) drücken.

ZUM ZURÜCKSETZEN DES HEIZGERÄTS

1. Den EIN/AUS-Schalter auf AUS (O) stellen und 10 Sekunden lang warten (2 Minuten, wenn das Heizgerät in Betrieb war).
2. Wiederholen Sie die Schritte unter *Einschalten des Heizgeräts*.

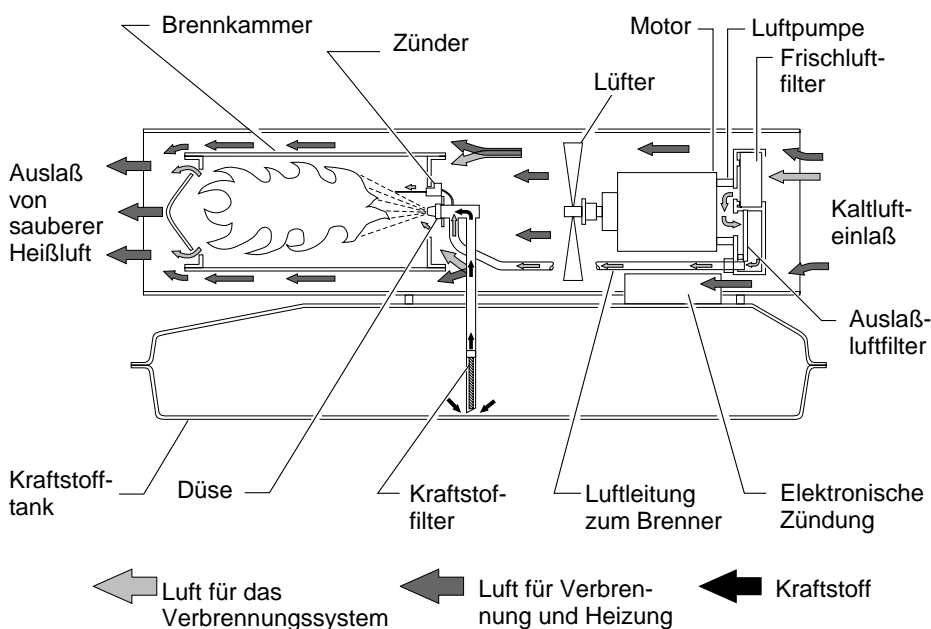


Abbildung 4 - Querschnitt-Funktionsschema

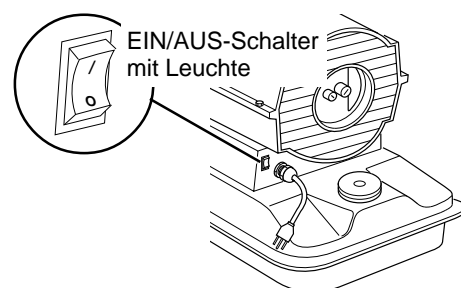


Abbildung 5 - EIN/AUS-Schalter, B35CEH und B70CEH Modelle

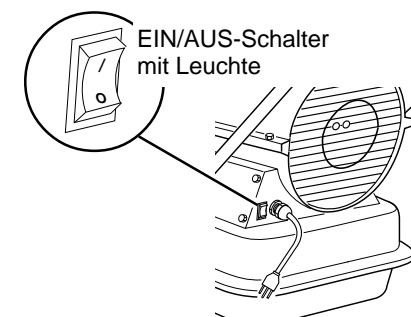


Abbildung 6 - EIN/AUS-Schalter, B100CEH und B150CEH Modelle

TRAGBARE HOCHDRUCK-HEISSLUFTTURBINEN

LAGERUNG, TRANSPORT, VERSAND

Hinweis: Transportfirmen verlangen, daß die Kraftstofftanks bei einem Versand leer sind.

1. Entleeren Sie den Kraftstofftank.

Hinweis: Einige Modelle haben eine Ablasschraube auf der Unterseite des Kraftstofftanks. Ist dies der Fall, entfernen Sie die Ablasschraube, um den Kraftstoff abfließen zu lassen. Falls das Heizgerät keine Ablasschraube besitzt, den Kraftstoff durch die Kraftstoffdeckelöffnung abfließen lassen. Vergewissern Sie sich, daß der gesamte Kraftstoff abgelassen ist.

2. Die Ablasschraube, falls erforderlich, wieder anbringen.
3. Falls im alten Kraftstoff Verschmutzung festgestellt wird, 1 oder 2 Liter (1 oder 2 quarts) reines Kerosin in den Tank füllen, umrühren, und den Tank noch einmal entleeren. Auf diese Weise wird für den zukünftigen Betrieb die Verstopfung der Filter durch Rückstände vermieden.
4. Den Kraftstoffdeckel oder die Ablasschraube wieder anbringen. Alten und schmutzigen Kraftstoff ordnungsgemäß entsorgen. Setzen Sie sich mit örtlichen Tankstellen in Verbindung, die Öl recyceln.
5. Falls das Heizgerät gelagert wird, soll es an einem trockenen Ort gelagert werden. Sicherstellen, daß der Lagerort frei von Staub und korrosiven Gasen ist.

WICHTIG: Kerosin nicht über den Sommer zur Verwendung in der nächsten Heizperiode lagern. Die Verwendung alten Kraftstoffs könnte das Heizgerät beschädigen.

REGELMÄSSIGE WARTUNG

⚠ ACHTUNG: Keine Wartungsarbeiten vornehmen, solange das Heizgerät an der Steckdose angeschlossen, in Betrieb oder heiß ist. Nichtbeachtung kann zu schweren Verbrennungen und Elektroschock führen.

Teil	Häufigkeit	Durchführung
Kraftstofftank	Alle 150 bis 200 Betriebsstunden oder nach Bedarf durchspülen	Siehe <i>Lagerung, Transport oder Versand</i> , weiter oben
Luftauslaß- und Staubfilter	Einmal im Jahr oder alle 500 Betriebsstunden	Siehe <i>Luftauslaß-, Lufteinlaß- und Staubfilter</i> , Seite 11
Luftansaugfilter	Alle 500 Betriebsstunden oder bei Bedarf mit Wasser und Seife waschen und trocknen	Siehe <i>Luftauslaß-, Lufteinlaß- und Staubfilter</i> , Seite 11
Kraftstofffilter	Zweimal während der Heizungsperiode oder nach 1 Bedarf reinigen	Siehe <i>Kraftstofffilter</i> , Seite 9
Zünder	Keine Wartung erforderlich	
Lüfterflügel	Jede Saison oder nach Bedarf reinigen	Siehe <i>Lüfter</i> , Seite 14
Motor	Wartungsfrei, permanent geschmiert	

BEDIENUNGSANLEITUNG

FEHLERSUCHE

⚠ ACHTUNG: Niemals ein Heizgerät warten, das eingesteckt, in Betrieb oder heiß ist. Schwere Stromschlag und schwere Verbrennungen können die Folge sein.

HEIZUNG MIT GESICHERTER ODER NICHT GESICHERTER ZÜNDSTEUERUNG

BEOBACHTETER FEHLER

MÖGLICHE URSACHE

ABHILFE

Der Motor springt nicht an, nachdem das Heizgerät bereits fünf Sekunden lang an die Stromversorgung angeschlossen ist (Leuchte des EIN/AUS-Schalters bleibt eingeschaltet)

1. Schlechte elektrische Verbindung zwischen Motor und Zündstromanlage oder zwischen Zündstromanlage und Netzkabel

⚠ ACHTUNG: Hochspannung!

2. Pumpenrotor klemmt
3. Fehlerhafte Zündstromanlage
4. Fehlerhafter Motor

1. Alle elektrischen Anschlüsse prüfen. Siehe *Schaltplan* auf Seite 15

2. Wenn sich der Lüfter nicht frei drehen läßt, siehe *Pumpenrotor* auf Seite 13
3. Zündstromanlage austauschen
4. Motor austauschen

Der Motor startet und läuft, aber das Heizgerät zündet nicht (Leuchte des EIN/AUS-Schalters bleibt eingeschaltet)

1. Kein Kraftstoff im Tank
2. Falscher Pumpendruck
3. Verschmutzter Kraftstofffilter
4. Verstopfte Düsenbaugruppe
5. Wasser im Kraftstofftank

1. Den Tank mit Kerosin füllen
2. Siehe *Pumpendruckeinstellung* auf Seite 11
3. Siehe *Kraftstofffilter* auf Seite 9
4. Siehe *Düsenbaugruppe* auf Seite 12
5. Den Kraftstofftank entleeren und mit sauberem Kerosin spülen. Siehe *Lagerung, Transport, Versand* auf Seite 6

⚠ ACHTUNG: Hochspannung!

6. Schlechte elektrische Verbindung zwischen Zünder und Zündstromanlage
7. Fehlerhafter Zünder
8. Fehlerhafte Zündstromanlage

6. Die elektrischen Verbindungen prüfen. Siehe *Schaltplan* auf Seite 15
7. Den Zünder austauschen, siehe Seite 10
8. Die Zündstromanlage austauschen

Das Heizgerät zündet, aber die Zündstromanlage schaltet das Heizgerät nach kurzer Zeit wieder ab (Leuchte des EIN/AUS-Schalters bleibt eingeschaltet)

1. Falscher Pumpendruck
2. Verschmutzter Lufteinlaß, Luftauslaß und/oder Staubfilter
3. Verschmutzter Kraftstofffilter
4. Verstopfte Düsenbaugruppe
5. Photozellen-Baugruppe nicht richtig montiert (erkennt die Flamme nicht)

1. Siehe *Pumpendruckeinstellung* auf Seite 11
2. Siehe *Luftauslaß, Lufteinlaß und Staubfilter* auf Seite 11
3. Siehe *Kraftstofffilter* auf Seite 9
4. Siehe *Düsenbaugruppe* auf Seite 12
5. Sicherstellen, daß die Photozellen-Manschette in der Halterung richtig sitzt

⚠ ACHTUNG: Hochspannung!

6. Verschmutzte Photozellenlinse
7. Schlechte elektrische Verbindung zwischen Photozelle und Zündstromanlage
8. Fehlerhafte Photozelle
9. Fehlerhafte Zündstromanlage

6. Die Photozellenlinse reinigen
7. Die elektrischen Verbindungen prüfen. Siehe *Schaltplan* auf Seite 15
8. Die Photozelle austauschen
9. Die Zündstromanlage austauschen

Bitte umblättern

TRAGBARE HOCHDRUCK-HEISSLUFTTURBINEN

FEHLERSUCHE

(Fortsetzung)

HEIZUNG NUR MIT NICHT GESICHERTER ZÜNDSTEUERUNG

ACHTUNG: Die Zündsteuerung verfügt über eine eingebaute Sicherung gegen Stromüberlastung. Die Leuchte im EIN/AUS-Schalter kann zur Behebung des Fehlerzustands benutzt werden.

PROBLEEM	MOGELIJKE OORZAAK	OPLOSSING
Leuchte des EIN/AUS-Schalters leuchtet nicht auf, wenn der Schalter eingeschaltet wird (I) und die Heizung startet nicht	<ol style="list-style-type: none">1. Keine Stromversorgung zur Heizung	<ol style="list-style-type: none">1. Sicherstellen, dass das Netzkabel an eine Steckdose angeschlossen ist und dass der Unterbrecher auf der Elektrotafel zurückgesetzt ist
		⚠ ACHTUNG: Hochspannung!
	<ol style="list-style-type: none">2. Schlechte elektrische Verbindung3. Elektrischer Kurzschluss in Zündeinheit	<ol style="list-style-type: none">2. Die Elektroverdrahtung und Anschlüsse prüfen. Siehe <i>Schaltplan</i>, Seite 153. Die Verdrahtung der Zündeinheit prüfen. Wenn keine Probleme gefunden werden, die Zündeinheit ersetzen (siehe Seite 10)
Die Leuchte des EIN/AUS-Schalters leuchtet auf, wenn der Schalter eingeschaltet wird (I), schaltet sich aber nach fünf Sekunden wieder aus	<ol style="list-style-type: none">1. Elektrischer Kurzschluss im Motor	<ol style="list-style-type: none">1. Die Elektroverdrahtung des Motors prüfen. Wenn keine Probleme gefunden werden, den Motor ersetzen

⚠ ACHTUNG: Hochspannung!

BEDIENUNGSANLEITUNG

WARTUNGS- VERFAHREN

⚠ ACHTUNG: Nie Wartungsarbeiten vornehmen, solange das Heizgerät an der Steckdose angeschlossen, in Betrieb oder heiß ist. Nichtbeachtung kann zu schweren Verbrennungen und Elektroschock führen.

ENTFERNEN DES OBEREN GEHÄUSES

1. Die Schrauben und Federringe entlang den beiden Seiten des Heizgerätes mit einem 5/16 Zoll Steckschlüssel entfernen. Diese Schrauben halten das obere und untere Gehäuse zusammen.
2. Das obere Gehäuse abheben.
3. Die Lüfterabdeckung entfernen.

KRAFTSTOFFFILTER

(B35CEH und B70CEH Modelle)

1. Die Schrauben der Seitenabdeckung mit einem 5/16 Zoll Steckschlüssel entfernen.
2. Die Seitenabdeckung abnehmen.
3. Den Gummi-Kraftstoffschlauch vom Kraftstofffiltersockel entfernen.
4. Die Buchse und den Kraftstofffilter sorgfältig aus dem Kraftstofftank ziehen.
5. Den Kraftstofffilter mit reinem Kraftstoff waschen und wieder am Tank einsetzen.
6. Den Gummi-Kraftstoffschlauch wieder am Kraftstofffiltersockel anschließen.
7. Die Seitenabdeckung wieder anbringen.

KRAFTSTOFFFILTER

(B100CEH und B150CEH Modelle)

1. Die Schrauben der Seitenabdeckung mit einem 5/16 Zoll Steckschlüssel entfernen.
2. Die Seitenabdeckung abnehmen.
3. Die obere Kraftstoffleitung vom Kraftstofffiltersockel abziehen.
4. Die Buchse, die untere Kraftstoffleitung und den Kraftstofffilter sorgfältig aus dem Kraftstofftank ziehen.
5. Den Kraftstofffilter mit reinem Kraftstoff waschen und wieder am Tank einsetzen.
6. Die obere Kraftstoffleitung wieder am Kraftstofffiltersockel anschließen.
7. Die Seitenabdeckung wieder anbringen.

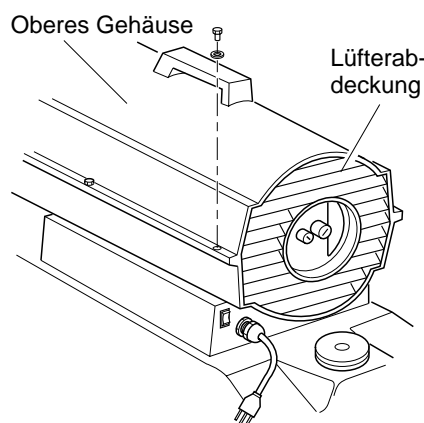


Abbildung 7 - Entfernen des oberen Gehäuses, B35CEH und B70CEH Modelle

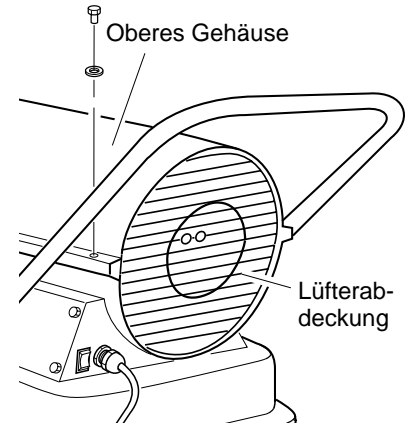


Abbildung 8 - Entfernen des oberen Gehäuses, B100CEH und B150CEH Modelle

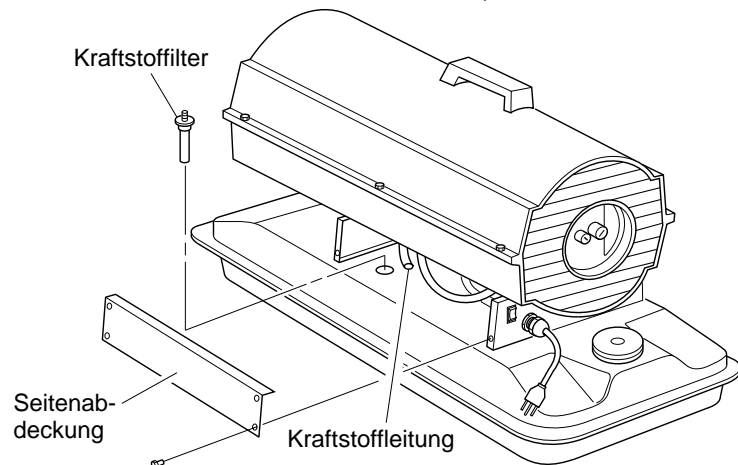


Abbildung 9 - Entfernen des Kraftstofffilters, B35CEH und B70CEH Modelle

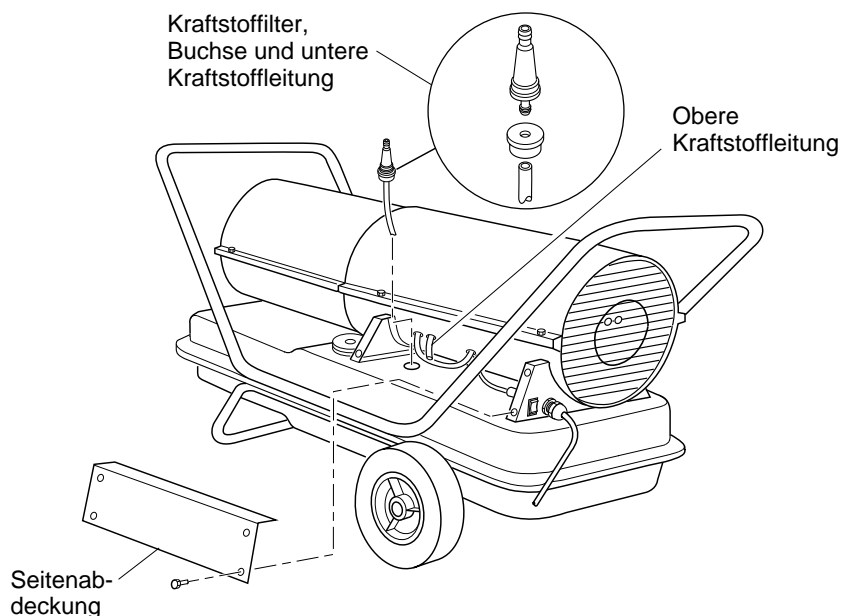


Abbildung 10 - Entfernen des Kraftstofffilters, B100CEH und B150CEH Modelle

Bitte umblättern

TRAGBARE HOCHDRUCK-HEISSLUFTTURBINEN

WARTUNGS- VERFAHREN (Fortsetzung)

ZÜNDER

1. Das obere Gehäuse und die Lüfterabdeckung entfernen (siehe Seite 9).
2. Den Lüfter entfernen (siehe Seite 14).
3. Die vier Schrauben der Seitenabdeckung mit einem 5/16 Zoll Steckschlüssel und dann die Seitenabdeckung entfernen (siehe Abb. 9 oder 10 auf Seite 9).
4. Die Zünderkabel (schwarz) von der Zündstromanlage abtrennen (siehe Abb. 11). Die Zünderkabel durch das Loch im unteren Gehäuse nach oben ziehen.
5. Die Kraftstoff- und Luftschläuche abtrennen. Die Photozelle aus der Photozellenhalterung entfernen (siehe Abb. 11).

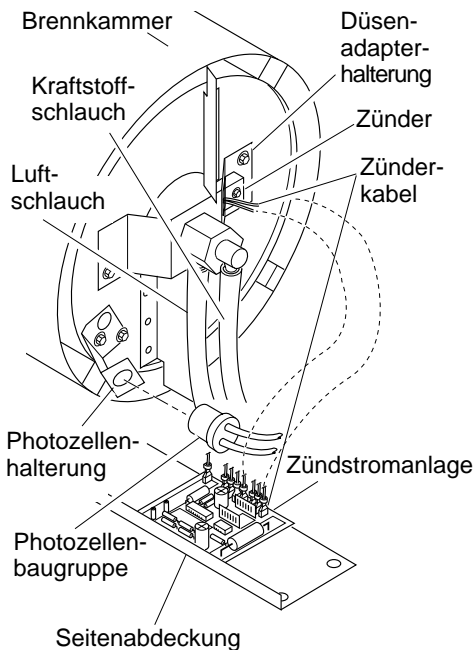


Abbildung 11 - Zündkabel von der Zündstromanlage abtrennen

6. Die Brennkammer ausbauen. Die Brennkammer so aufstellen, das die Düsenadapterhalterung nach oben zeigt (siehe Abb. 12).
7. Die Zünderschraube mit einem 1/4 Zoll Steckschlüssel entfernen. Den Zünder vorsichtig aus der Düsenadapterhalterung entfernen.

⚠ VORSICHT: Das Zünderelement nicht biegen oder anschlagen. Vorsicht walten lassen.

8. Den Ersatzzünder vorsichtig aus der Schaumstoffverpackung entnehmen.
9. Den Zünder vorsichtig in die Öffnung in der Düsenadapterhalterung einschieben. Das Zünderelement nicht anschlagen. Den Zünder mit der Schraube und einem 1/4 Zoll Steckschlüssel an der Düsenadapterhalterung befestigen (siehe Abb. 12). Die Schraube auf ein Drehmoment von 0,90 bis 1,69 Nm (8 bis 15 Zoll-Pfund) festziehen. Nicht zu stark festziehen.

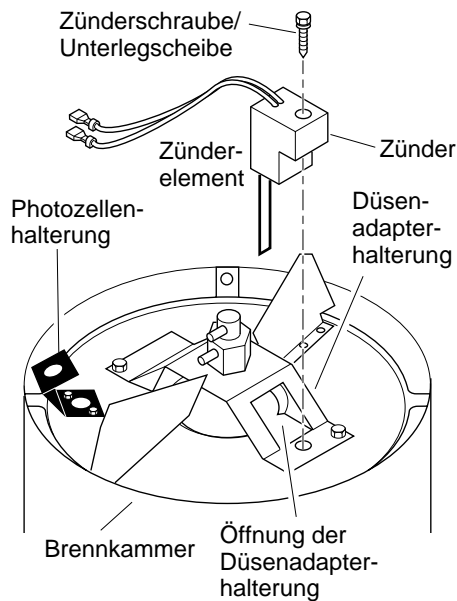


Abbildung 12 - Ersatzzünder

10. Die Brennkammer montieren.
11. Die Zünderkabel zurück durch das Loch im unteren Gehäuse verlegen. Die Kabel an die Zündstromanlage anschließen.
12. Die Seitenabdeckung montieren (siehe Abb. 9 oder 10 auf Seite 9).
13. Den Kraftstoff- und den Luftschlauch anschließen und zum Brenner verlegen. Siehe *Entfernen der Kraftstoff- und Luftschläuche und Verlegung* auf Seite 12.
14. Die Photozelle in der Photozellenhalterung montieren. Die Kabel wie in Abb. 17, 18 oder 19 auf Seite 12 dargestellt verlegen.
15. Den Lüfter montieren (siehe Seite 14).
16. Den Lüfterschutz und das obere Gehäuse montieren (siehe Seite 9).

BEDIENUNGSANLEITUNG

WARTUNGS- VERFAHREN (Fortsetzung)

LUFTAUSLAß-, LUFTEINLAß- UND STAUBFILTER

1. Oberes Gehäuse entfernen (siehe Seite 8).
2. Die Schrauben der Filterendabdeckung mit einem 5/16 Zoll Steckschlüssel entfernen.
3. Filterendabdeckung entfernen.
4. Den Luftauslaßfilter und den Staubfilter ersetzen.
5. Den Lufteinlaßfilter waschen oder ersetzen (siehe *Regelmäßige Wartung*, Seite 6).
6. Die Filterendabdeckung wieder einbauen.
7. Die Lüfterabdeckung und das obere Gehäuse wieder einbauen.

WICHTIG: Die Filter nicht ölen!

PUMPENDRUCKEIN- STELLUNG

1. Den Druckmesserstopfen von der Filterendabdeckung entfernen.
2. Den Zusatzgerät-Druckmesser (Teilnr. HA 1180) einbauen.
3. Das Heizgerät einschalten (Siehe *Bedienung*, Seite 5). Den Motor auf volle Drehzahl beschleunigen lassen.
4. Den Druck einstellen. Das Überdruckventil nach rechts drehen, um den Druck zu erhöhen. Das Überdruckventil nach links drehen, um den Druck zu verringern. Der korrekte Druck für jedes Modell ist der Spezifikationstabelle rechts zu entnehmen.
5. Den Druckmesser entfernen. Den Druckmesserstopfen wieder in die Filterendabdeckung einbauen.

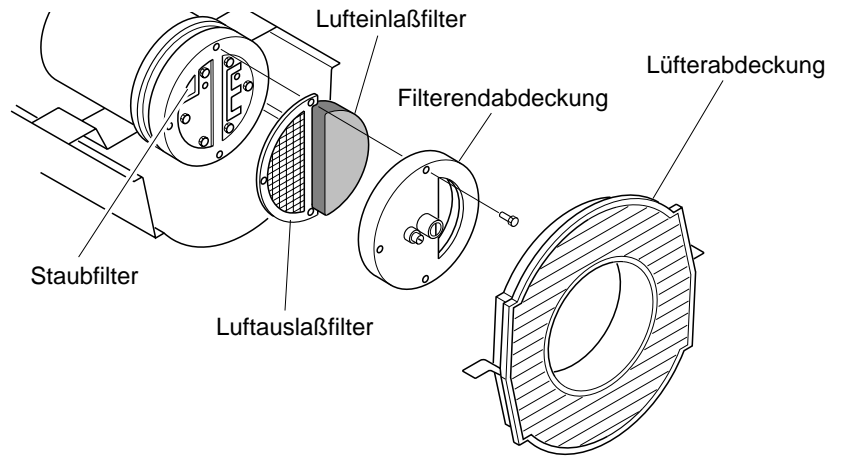


Abbildung 13 - Luftauslaß-, Lufteinlaß- und Staubfilter, B35CEH und B70CEH Modelle

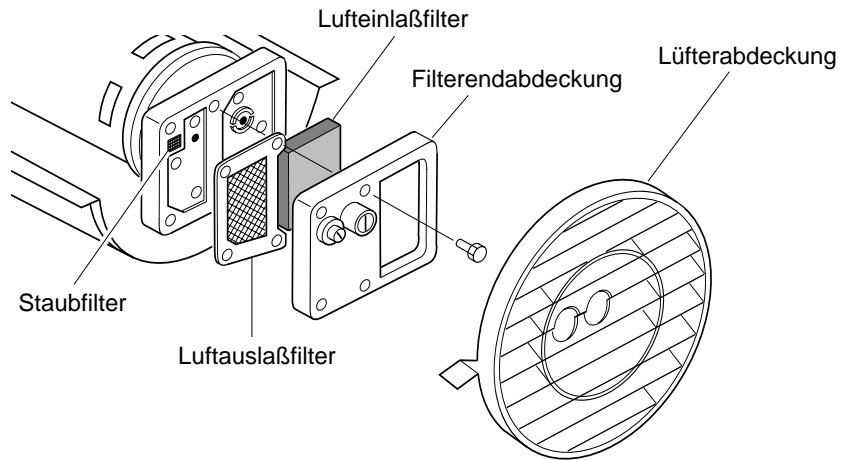
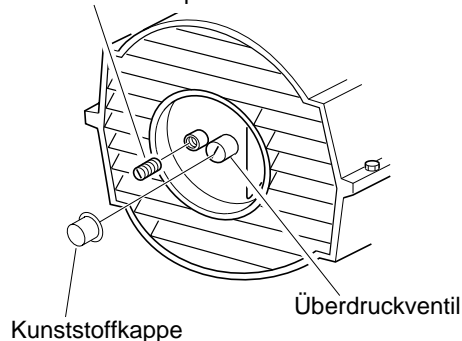


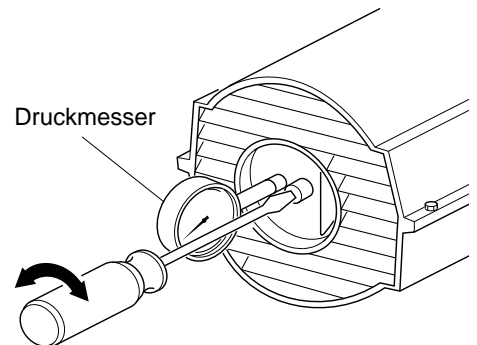
Abbildung 14 - Luftauslaß-, Lufteinlaß- und Staubfilter, B100CEH und B150CEH Modelle

Druckmesserstopfen



**Abbildung 15 - Entfernen des
Druckmesserstopfens**
(Gezeigt sind B35CEH und B70CEH
Modelle)

Modell	Pumpendruck (Psi/Bar)
B35CEH	2.9/0,200
B70CEH	4.9/0,338
B100CEH	4.9/0,338
B150CEH	5.5/0,380



**Abbildung 16 - Einstellen des Pumpen-
drucks**

Bitte umblättern

TRAGBARE HOCHDRUCK-HEISSLUFTTURBINEN

WARTUNGS- VERFAHREN

(Fortsetzung)

DÜSENBAUGRUPPE

1. Das obere Gehäuse entfernen (siehe Seite 9).
2. Den Lüfter ausbauen (siehe Seite 14).
3. Den Kraftstoff- und Luftschauch von der Düsenbaugruppe entfernen (siehe Abb. 17, 18 oder 19).
4. Die Düsenbaugruppe um eine Viertelumdrehung nach links drehen und in Richtung Motor abziehen (siehe Abb. 20).
5. Das Kunststoff-Sechskantgehäuse in einen Schraubstock einlegen und leicht festspannen.
6. Die Düse mit einem 5/8 Zoll Steckschlüssel vorsichtig aus dem Düsenadapter herausdrehen (siehe Abb. 21).
7. Druckluft durch die Düsenvorderseite blasen. Das entfernt den Schmutz aus dem Düsenbereich.
8. Die Düsendichtung auf Schäden prüfen.
9. Die Düse in den Düsenadapter einschieben, bis sie sicher sitzt. Die Düse mit einem 5/8 Zoll Steckschlüssel um eine 1/3 Umdrehung auf ein Drehmoment von 4,5 bis 5,1 Nm (40 bis 45 Zoll-Pfund) festziehen. Siehe Abb. 21.
10. Die Düsenbaugruppe am Brennergurt befestigen.
11. Die Kraftstoff- und Luftschläuche an der Düsenbaugruppe anschließen. Siehe Entfernen der Kraftstoff- und Luftschläuche und Verlegung.
12. Den Lüfter einbauen (siehe Seite 14).
13. Den Lüfterschutz und das obere Gehäuse einbauen (siehe Seite 9).

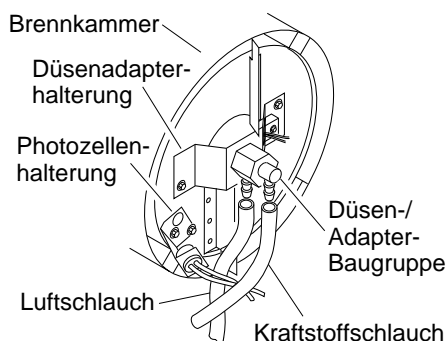


Abbildung 17 - Austauschen der Kraftstoff- und Luftleitungen (nur Modelle B35CEH und B70CEH)

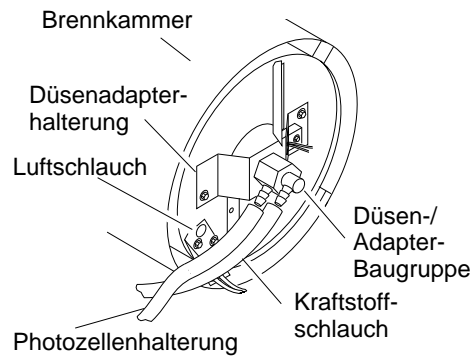


Figure 18 - Austauschen der Kraftstoff- und Luftleitungen (nur Model B100CEH)

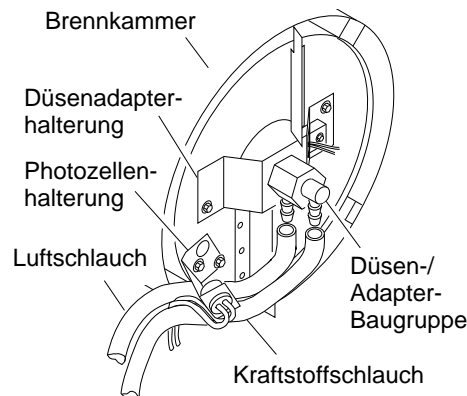


Abbildung 19 - Austauschen der Kraftstoff- und Luftleitungen (nur Model B150CEH)

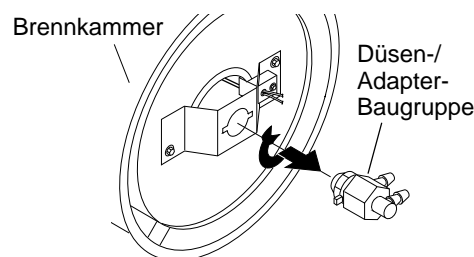


Abbildung 20 - Entfernen der Düsen-Adapter-Baugruppe

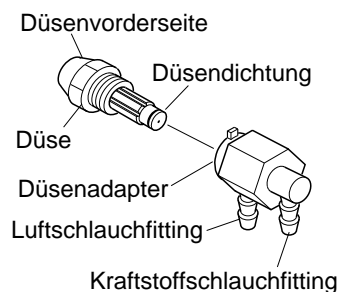


Abbildung 21 - Düse und Düsenadapter

ENTFERNEN DER KRAFTSTOFF- UND LUFTSCHLÄUCHE UND VERLEGUNG

1. Das obere Gehäuse entfernen (siehe Seite 9).
2. Die Schrauben der Seitenabdeckung mit einem 5/16 Zoll Steckschlüssel entfernen.
3. Die Seitenabdeckung entfernen.
4. Die Kraftstoff- und Luftschläuche auf Risse und/oder Löcher überprüfen. Wenn der Kraftstoffschlauch beschädigt ist, muß dieser vom Düsenadapter (siehe Abb. 17, 18 oder 19) und Kraftstofffilter (siehe Seite 9) abgetrennt werden. Wenn der Luftschauch beschädigt ist, muß dieser vom Düsenadapter (siehe Abb. 17, 18 oder 19) und Stachelanschluß am Pumpendeckel (siehe Abb. 22) abgetrennt werden.
5. Einen neuen Luft- und/oder Kraftstoffschlauch montieren. Ein Ende des Luftschauchs am Stachelanschluß des Pumpendeckels (siehe Abb. 22), das andere Ende am Düsenadapter befestigen (siehe Abb. 17, 18 oder 19). Ein Ende des Kraftstoffschlauchs am Kraftstofffilter (siehe Seite 9) und das andere Ende am Düsenadapter (siehe Abb. 17, 18 oder 19) montieren.

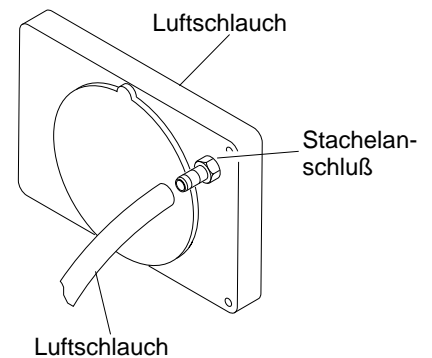


Abbildung 22 - Luftschauch an Stachelanschluß

BEDIENUNGSANLEITUNG

WARTUNGS- VERFAHREN

(Fortsetzung)

Bei den Heizgerätmodellen B35CEH und B70CEH müssen die Luft- und Kraftstoffschläuche wie in Abb. 17 dargestellt verlegt werden.

Hinweis: Die Schläuche dürfen die Photozellenhalterung nicht berühren.

Beim Heizgerätmodell B100CEH müssen die Luft- und Kraftstoffschläuche wie in Abb. 18 dargestellt verlegt werden.

Hinweis: Die Schläuche dürfen die Photozellenhalterung nicht berühren.

Beim Heizgerätmodell B150CEH müssen die Luft- und Kraftstoffschläuche wie in Abb. 19 dargestellt verlegt werden.

Hinweis: Die Schläuche dürfen die Photozellenhalterung nicht berühren.

6. Die Seitenabdeckung montieren.
7. Das obere Gehäuse und den Lüfterschutz montieren (siehe Seite 9).

PUMPENROTOR (Verfahren, wenn die Pumpe festgefressen ist)

1. Das obere Gehäuse entfernen (siehe Seite 9).
2. Die Filterendabdeckungs-schrauben mit einem 5/16 Zoll Steckschlüssel entfernen.
3. Die Filterendabdeckung und die Luftfilter entfernen.
4. Die Pumpenplattenschrauben mit einem 5/16 Zoll Steckschlüssel entfernen.
5. Die Pumpenplatte entfernen.

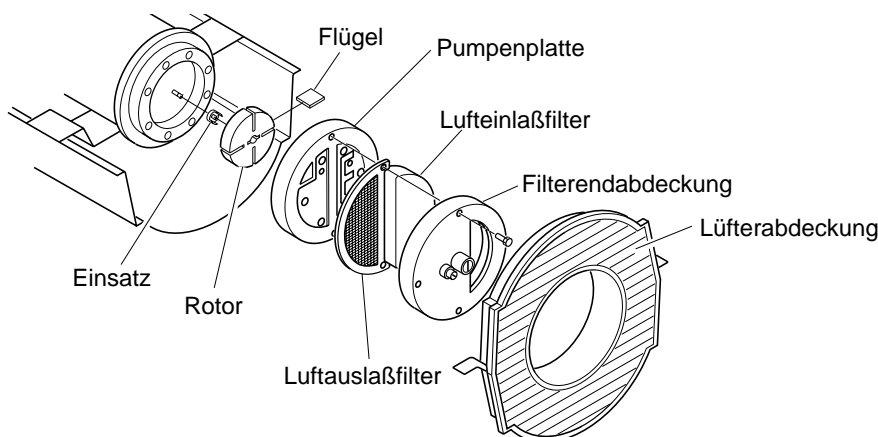


Abbildung 23 - Lage des Rotors, B35CEH und B70CEH Modelle

6. Den Rotor, den Einsatz und die Flügel entfernen.
7. Nach Schmutz in der Pumpe suchen. Wenn Schmutz gefunden wird, die Pumpe mit Druckluft reinigen.
8. Den Einsatz und den Rotor einbauen.
9. Den Rotorschlitz überprüfen. Bei Bedarf auf 0,076/0,101 mm (0,003/0,004 Zoll) einstellen. (Siehe Abbildung 25).

Hinweis: Den Rotor eine volle Umdrehung drehen, um sicherzustellen daß der Schlitz in der engsten Position 0,076/0,101 mm (0,003/0,004 Zoll) mißt. Bei Bedarf einstellen.

10. Die Flügel, die Pumpenplatte, die Luftfilter und die Filterendabdeckung einbauen.

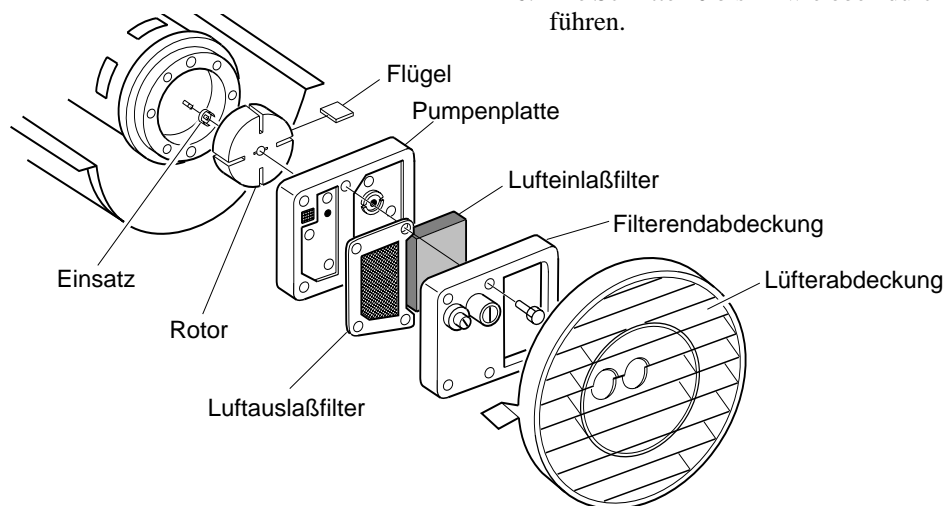


Abbildung 24 - Lage des Rotors, B100CEH und B150CEH Modelle

11. Die Lüfterabdeckung und das obere Gehäuse wieder einbauen.
12. Den Pumpendruck einstellen (siehe Seite 11).

Hinweis: Wenn der Rotor noch immer klemmt, folgendermaßen vorgehen:

13. Die Schritte 1 bis 6 wie oben durchführen.
14. Feines Sandpapier (600 Körnung) auf einer flachen Oberfläche auflegen. Den Rotor viermal leicht mit einer "8er-Bewegung" abschmirlen (siehe Abbildung 26).
15. Den Einsatz und den Rotor wieder einbauen.
16. Die Schritte 10 bis 12 wie oben durchführen.

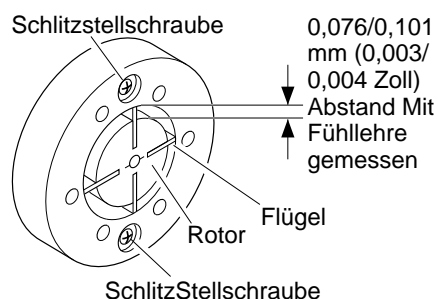


Abbildung 25 - Lage der Schlitz-Stellschrauben

Sandpapier

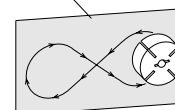


Abbildung 26 - Abschmirlen des Rotors
Bitte umblättern

TRAGBARE HOCHDRUCK-HEISSLUFTTURBINEN

WARTUNGS- VERFAHREN (Fortsetzung)

LÜFTER

WICHTIG: Den Lüfter von der Motorwelle entfernen, bevor der Motor vom Heizgerät entfernt wird. Das Gewicht des Motors, das auf dem Lüfter lastet, könnte die Lüfterflügel verbiegen.

1. Das obere Gehäuse entfernen (siehe Seite 9).
2. Mit einem 1/8 Zoll Inbusschlüssel die Schrauben lösen, mit denen der Lüfter an der Motorwelle befestigt ist.
3. Den Lüfter von der Motorwelle schieben.
4. Den Lüfter mit einem weichen, mit Kerosin oder einem mit Lösungsmittel getränkten Tuch reinigen.
5. Den Lüfter gründlich trocknen lassen.
6. Den Lüfter wieder auf der Motorwelle anbringen. Die Lüfternabe bündig mit dem Ende der Motorwelle plazieren (siehe Abbildung 28).
7. Die Stellschraube auf dem flachen Teil der Welle ansetzen. Die Stellschraube gut festziehen (mit 4,5-5,6 Nm/40-50 Zoll/Pfund).
8. Die Lüfterabdeckung und das obere Gehäuse wieder anbringen.

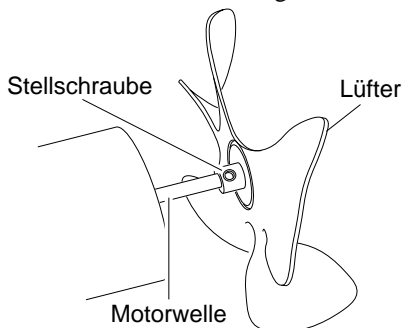


Abbildung 27 - Lage von Lüfter, Motorwelle und Stellschraube

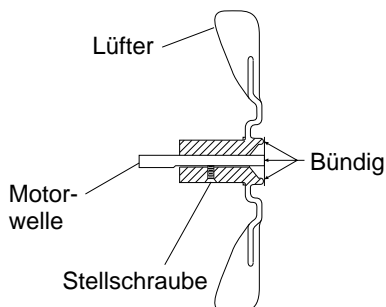


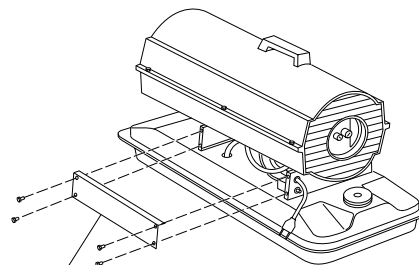
Abbildung 28 - Lüfterquerschnitt

ZÜNDSTROMANLAGE

⚠️ WARNUNG: Das Heizgerät vor den Wartungsarbeiten ausstecken.

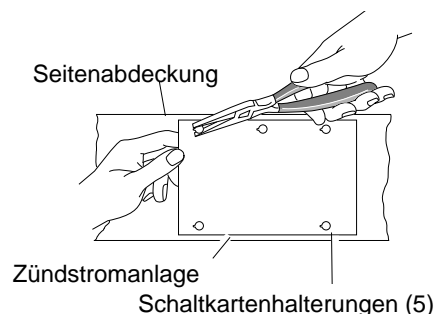
Alte Baugruppe entfernen

1. Mit dem 5/16-Zoll-Steckschlüssel die vier Schrauben der Seitenabdeckung entfernen (siehe Abbildung 29).
2. Die neun Drähte von der Zündstromanlage abnehmen.
3. Mit der Nadelzange die Zunge auf der Schaltkartenhalterung zusammendrücken und die Kante der Zündstromanlage nach oben ziehen (siehe Abbildung 30). Diesen Vorgang bei den anderen vier Schaltkartenhalterungen wiederholen und danach die Baugruppe entfernen.



Seitenabdeckung

Abbildung 29 - Ausbau der Abdeckung



Zündstromanlage

Schaltkartenhalterungen (5)

Abbildung 30 - Ausbau der Schaltkarte

Neue Baugruppe montieren

⚠️ VORSICHT: Die Zündstromanlage enthält elektrostatisch geladene Bauteile. Die Baugruppe an den Kanten der Schaltkarte anfassen. Keine der Schnellanschlußklemmen oder elektronischen Bauteile berühren.

1. Die fünf Löcher in der Baugruppe mit den fünf Schaltkartenhalterungen in der Seitenabdeckung ausrichten.
2. Die Baugruppe an den Kanten der Schaltkarte halten und die Schaltkarte nach unten drücken, bis alle fünf Zungen an den Schaltkartenhalterungen einrasten. An der Baugruppe nach oben ziehen, um sicherzustellen, daß sie eingerastet ist (siehe Abbildung 31).
3. Die neun Kabellitzen an der Zündsteuerungsbaugruppe wie im Schaltplan auf Seite 15 dargestellt anschließen.

⚠️ VORSICHT: Die Anschlüsse noch einmal überprüfen. Wenn die Zündstromanlage falsch angeschlossen wird, können diese und/oder andere Bauteile im Heizgerät beschädigt werden.

4. Mit dem 5/16-Zoll-Steckschlüssel die Seitenabdeckung wieder am Heizgerät befestigen. Die Schrauben sicher festziehen, jedoch nicht überziehen!

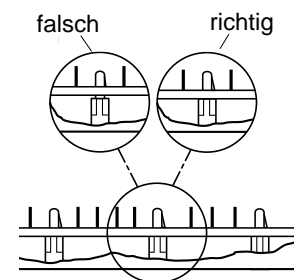


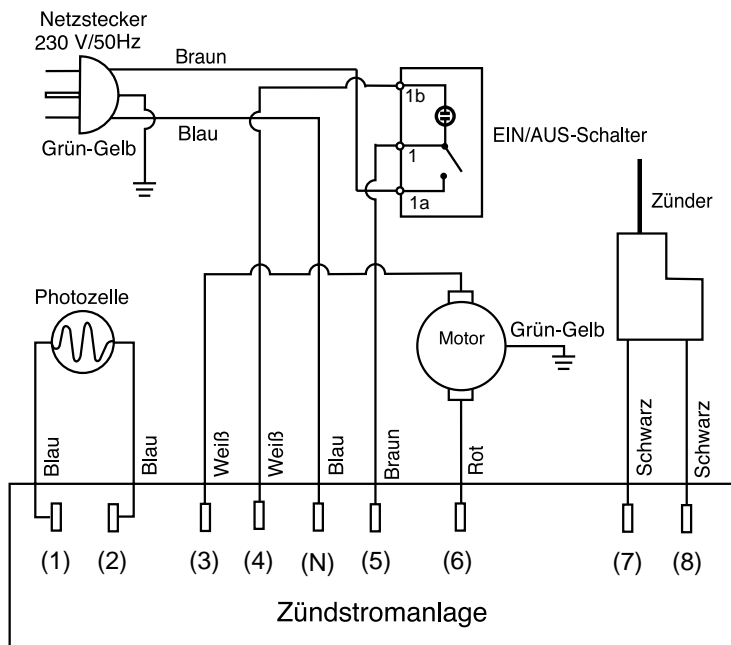
Abbildung 31 - Befestigen der Schaltkarte an den Zungen

BEDIENUNGSANLEITUNG

TECHNISCHE DATEN

Heiznennleistung (BTU/Std.)	35.000	70.000	100.000	150.000
Kraftstoff	Nur Kerosin oder Heizöl EL benutzen			
Kraftstofftank-Fassungsvermögen (l/U.S. Gal)	11,4/3.0	18,9/5,0	34/9.0	51,1/13.5
Kraftstoffverbrauch (l/Std., Gal./Std.)	1,1/0,28	1,97/0.52	3,0/0.79	4,1/1.1
Elektrischer Anschluß	230 V/50 Hz (alle Modelle gleich)			
Stromstärke (Normalbelastung)	0,8	1,0	1,2	1,2
Heißluftausstoß (m ³ /min. / Kubikfuß/min.)	4/140	6,4/225	12/425	14,2/500
U/min	1425	2850	2850	2850

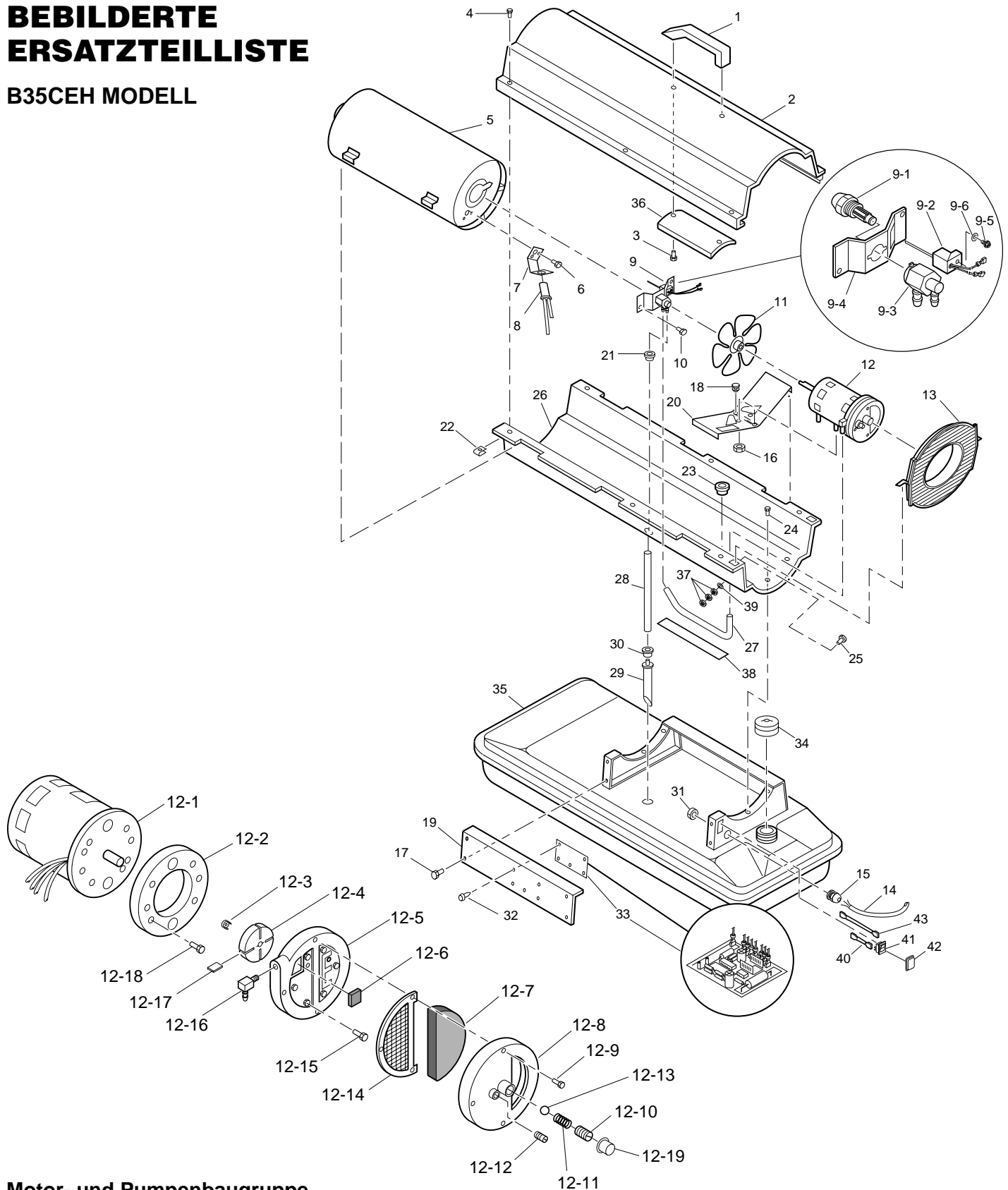
SCHALTPLAN



TRAGBARE HOCHDRUCK-HEISSLUFTTURBINEN

BEBILDERTE ERSATZTEILLISTE

B35CEH MODELL



Motor- und Pumpenbaugruppe

BEDIENUNGSANLEITUNG

ERSATZTEIL- KATALOG

B35CEH MODELL

Dieser Katalog enthält die Ersatzteile für Ihr Heizgerät. Bei der Bestellung von Ersatzteilen ist es wichtig, daß Sie die entsprechenden Modell- und Seriennummern (vom Modellschild), gefolgt von der Ersatzteilnummer und der Beschreibung des gewünschten Teiles angeben.

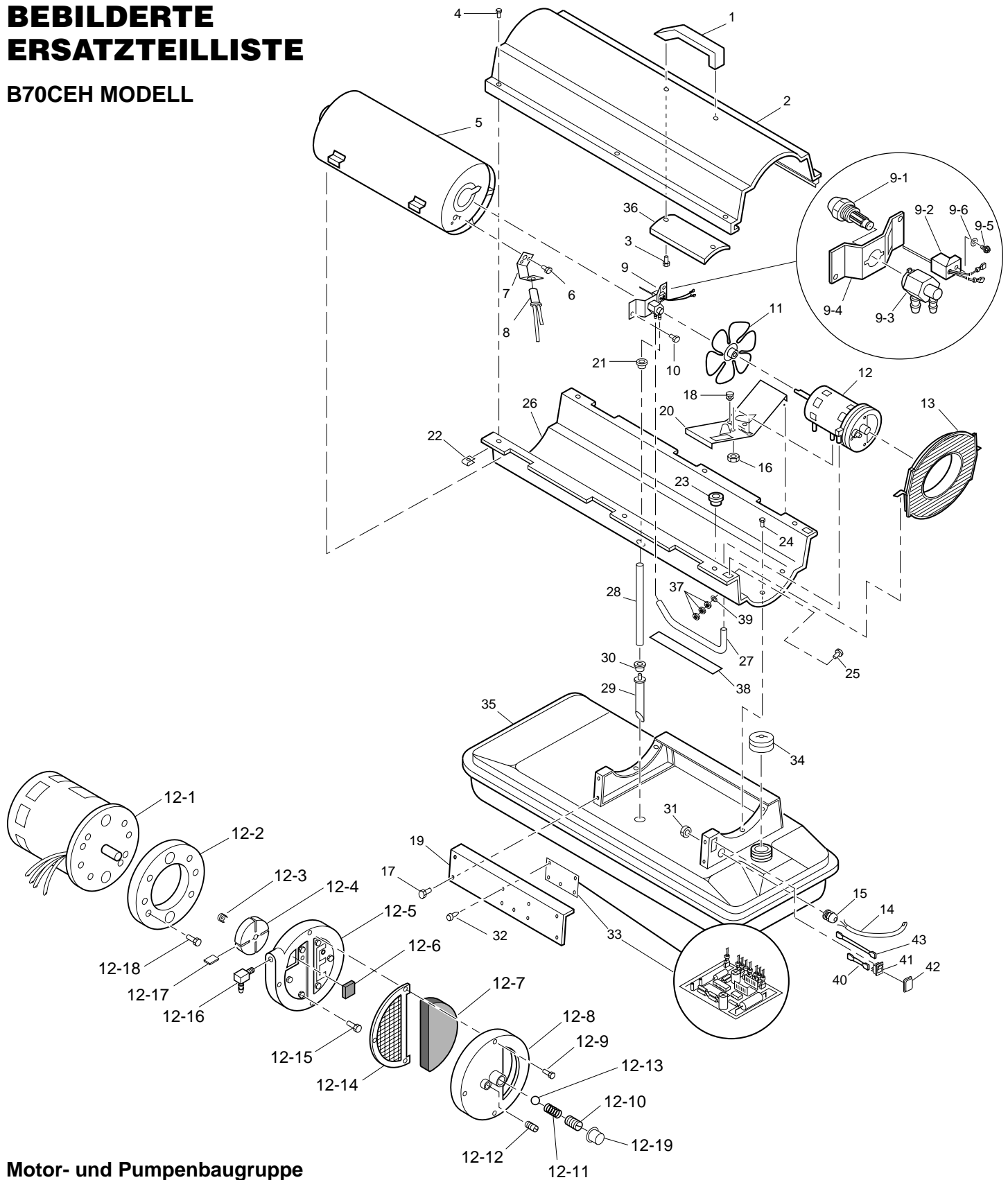
KENN-NR.	TEILNUMMER	BESCHREIBUNG	STÜCK	KENN-NR.	TEILNUMMER	BESCHREIBUNG	STÜCK
1	M51104-01	Handgriff	1	14	079673-07	Netzkabel	1
2	098511-256	Oberes Gehäuse	1	15	M50400	Entlastungsmuffe	1
3	M11084-29	Schraube, #10-16 x 3/4 Zoll	2	16	NTC-4C	Sechskant-Sicherungsmutter	2
4	102432-01	Schraube/Federring, 1/2 Zoll	6	17	102431-01	Schraube/Federring, 1/2 Zoll	4
5	098512-63	Brennkammer	1	18	M50631	Gummistoßdämpfer	2
6	M10908-2	Schraube, #6-32 x 3/8 Zoll	2	19	097461-09	Seitenabdeckung	1
7	103154-03	Photozellenhalterung	1	20	101205-01	Motoraufhängung	1
8	M16656-24	Photozellen-Baugruppe	1	21	M30865-02	Buchse	1
9	**	Brennerhalterung-Baugruppe	1	22	M11271-8	Klemmutter	6
9-1	HA3006	Düsenbaugruppe	1	23	M50104-02	Buchse (Drähte)	1
9-2	102548-05	Zündersatz	1	24	102431-01	Schraube/Federring, 1/2 Zoll	6
9-3	104056-01	Düsenadapter	1	25	RF3-4B	Schraube, #10-32 x 1/2 Zoll	1
9-4	102336-01	Düsenadapterhalterung	1	26	098511-237	Unteres Gehäuse	1
9-5	M10908-75	Schraube, #6-32 x 7/8 Zoll	1	27	M50814-06	Gummi-Luftschlauch	1
9-6	103347-01	Tellerfeder	1	28	M29652-05	Kraftstoffschlauch	1
10	102431-01	Schraube/Federring, 1/2 Zoll	2	29	108060-01	Kraftstofffilterbaugruppe	1
11	103684-01	Lüfter	1	30	M10990-3	Gummibuchse	1
12	**	Motor- und Pumpenbaugruppe	1	31	102861-01	Nylongegenmutter	1
12-1	102001-25	Motor	1	32	102349-01	Leiterplatten-Halterschraube	5
12-2	079975-03	Pumpengehäuse	1	33	104068-04	Zündstromanlage	1
12-3	M22009	Einsatz	1	34	097702-01	Kraftstofftankdeckel	1
12-4	M22456-2	Rotor	1	35	108088-01	Kraftstofftank	1
12-5	M29608	Pumpendeckel	1	36	M51108-01	Hitzeschild	1
12-6	M29632	Staubfilter	1	37	NPF-3B	Mutter, #10-32	3
12-7	M29633	Einlaßfilter	1	38	097785-01	Vinylschaumdichtung	1
12-8	M29609	Filterendabdeckung	1	39	WLE-3	Federring, #10	1
12-9	M12461-31	Schraube, #10-32 x 1 Zoll	3	40	079010-39	Verdrahtung (Braun)	1
12-10	M27694	Stellschraube	1	41	105793-01	EIN-/AUS-Schalter	1
12-11	M10993-1	Druckentlastungsfeder	1	42	079919-01	Schalterabdeckung	1
12-12	M22997	Stopfen	1	43	079010-40	Verdrahtung (Weiß)	1
12-13	M8940	Stahlkugel (1/4 Zoll Durchm)	1	ERHÄLTICHE TEILE - NICHT GEZEIGT			
12-14	M29612-01	Auslaßfilter	1		HA2210	Einfüllstutzensieb	1
12-15	M12461-32	Schraube, #10-32 x 1 1/8 Zoll	6		103814-01	Drahtschließe	1
12-16	103676-01	Winkelstück, 90° (Fitting)	1		097649-01	Modellschild	2
12-17	M8643-2	Flügel	4		106013-01	Aufkleberpackung	1
12-18	FHPF3-6C	Schraube, #10-32 x 3/4 Zoll	2		105880-01	Sicherung	1
12-19	105780-01	Kunststoffkappe	1				
13	M51105-01	Lüfterabdeckung	1				

**Nicht als vollständige Baugruppe erhältlich. Teile einzeln bestellen.

TRAGBARE HOCHDRUCK-HEISSLUFTTURBINEN

BEBILDERTE ERSATZTEILLISTE

B70CEH MODELL



Motor- und Pumpenbaugruppe

BEDIENUNGSANLEITUNG

ERSATZTEIL- KATALOG

B70CEH MODELL

Dieser Katalog enthält die Ersatzteile für Ihr Heizgerät. Bei der Bestellung von Ersatzteilen ist es wichtig, daß Sie die entsprechenden Modell- und Seriennummern (vom Modellschild), gefolgt von der Ersatzteilnummer und der Beschreibung des gewünschten Teiles angeben.

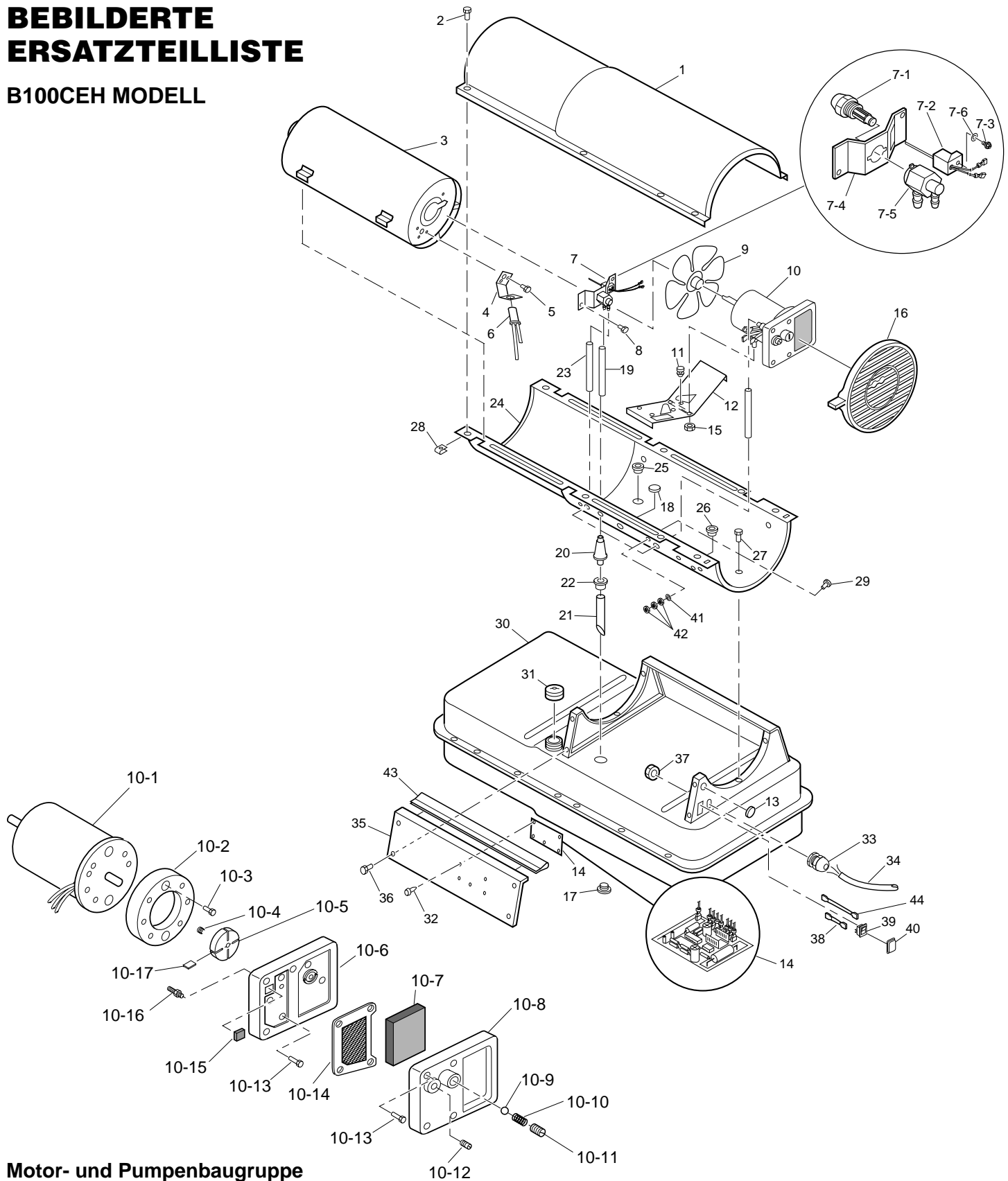
KENN-NR.	TEILNUMMER	BESCHREIBUNG	STÜCK	KENN-NR.	TEILNUMMER	BESCHREIBUNG	STÜCK
1	M51104-01	Handgriff	1	14	079673-07	Netzkabel	1
2	098511-256	Oberes Gehäuse	1	15	M50400	Entlastungsmuffe	1
3	M11084-29	Schraube, #10-16 x 3/4 Zoll	2	16	NTC-4C	Sechskant-Sicherungsmutter	2
4	102432-01	Schraube/Federring, 1/2 Zoll	6	17	102431-01	Schraube/Federring, 1/2 Zoll	4
5	098512-64	Brennkammer	1	18	M50631	Gummistoßdämpferr	2
6	M10908-2	Schraube, #6-32 x 3/8 Zoll	2	19	097461-09	Seitenabdeckung	1
7	103154-03	Photozellenhalterung	1	20	101205-01	Motoraufhängung	1
8	M16656-24	Photozellen-Baugruppe	1	21	M30865-02	Buchse	1
9	**	Brennerhalterung-Baugruppe	1	22	M11271-8	Klemmutter	6
9-1	HA3026	Düsenbaugruppe	1	23	M50104-02	Buchse (Drähte)	1
9-2	102548-05	Zündersatz	1	24	102431-01	Schraube/Federring, 1/2 Zoll	6
9-3	104056-01	Düsenadapter	1	25	RF3-4B	Schraube, #10-32 x 1/2 Zoll	1
9-4	102336-01	Düsenadapterhalterung	1	26	098511-237	Unteres Gehäuse	1
9-5	M10908-75	Schraube, #6-32 x 7/8 Zoll	1	27	M50814-06	Gummi-Luftschlauch	1
9-6	103347-01	Tellerfeder	1	28	M29652-05	Kraftstoffschlauch	1
10	102431-01	Schraube/Federring, 1/2 Zoll	2	29	108060-03	Kraftstofffilterbaugruppe	1
11	103684-01	Lüfter	1	30	M10990-3	Gummibuchse	1
12	**	Motor- und Pumpenbaugruppe	1	31	102861-01	Nylongegenmutter	1
12-1	102001-23	Motor	1	32	102349-01	Leiterplatten-Halterschraube	5
12-2	079975-02	Pumpengehäuse	1	33	104068-04	Zündstromanlage	1
12-3	M22009	Einsatz	1	34	097702-01	Kraftstofftankdeckel	1
12-4	M22456-1	Rotor	1	35	108088-03	Kraftstofftank	1
12-5	M29608	Pumpendeckel	1	36	M51108-01	Hitzeschild	1
12-6	M29632	Staubfilter	1	37	NPF-3B	Mutter, #10-32	3
12-7	M29633	Einlaßfilter	1	38	097785-01	Vinylschaumdichtung	1
12-8	M29609	Filterendabdeckung	1	39	WLE-3	Federring, #10	1
12-9	M12461-31	Schraube, #10-32 x 1 Zoll	3	40	079010-39	Verdrahtung (Braun)	1
12-10	M27694	Stellschraube	1	41	105793-01	EIN-/AUS-Schalter	1
12-11	M10993-1	Druckentlastungsfeder	1	42	079919-01	Schalterabdeckung	1
12-12	M22997	Stopfen	1	43	079010-40	Verdrahtung (Weiß)	1
12-13	M8940	Stahlkugel (1/4 Zoll Durchm)	1	ERHÄLTICHE TEILE - NICHT GEZEIGT			
12-14	M29612-01	Auslaßfilter	1		HA2210	Einfüllstutzensieb	1
12-15	M12461-31	Schraube, #10-32 x 1 1/8 Zoll	6		103814-01	Drahtschließe	1
12-16	103676-01	Winkelstück, 90° (Fitting)	1		097649-01	Modellschild	2
12-17	M8643	Flügel	4		106013-02	Aufkleberpackung	1
12-18	FHPF3-5C	Schraube, #10-32 x 5/8 Zoll	2		105880-01	Sicherung	1
12-19	105780-01	Kunststoffkappe	1				
13	M51105-01	Lüfterabdeckung	1				

**Nicht als vollständige Baugruppe erhältlich. Teile einzeln bestellen.

TRAGBARE HOCHDRUCK-HEISSLUFTTURBINEN

BEBILDERTE ERSATZTEILLISTE

B100CEH MODELL



Motor- und Pumpenbaugruppe

BEDIENUNGSANLEITUNG

ERSATZTEIL- KATALOG

B100CEH MODELL

Dieser Katalog enthält die Ersatzteile für Ihr Heizgerät. Bei der Bestellung von Ersatzteilen ist es wichtig, daß Sie die entsprechenden Modell- und Seriennummern (vom Modellschild), gefolgt von der Ersatzteilnummer und der Beschreibung des gewünschten Teiles angeben.

KENN-NR.	TEILNUMMER	BESCHREIBUNG	STÜCK	KENN-NR.	TEILNUMMER	BESCHREIBUNG	STÜCK
1	098511-257	Oberes Gehäuse	1	16	M51114-01	Lüfterabdeckung	1
2	102432-01	Schraube/Federring, 1/2 Zoll	8	17	M27417	Ablaßschraube (einschließlich O-Ring)	1
3	098512-65	Brennkammer	1	18	099213-01	Knopfstopfen	1
4	103971-01	Photozellenhalterung	1	19	M51345-01	Kraftstoffschlauch	1
5	M10908-2	Schraube, #6-32 x 3/8 Zoll	2	20	107961-01	Kraftstofffilter	1
6	M16656-24	Photozellen-Baugruppe	1	21	M51151-01	Kraftstoffschlauch	1
7	**	Brennkopf-Baugruppe	1	22	M10990-3	Gummibuchse	1
7-1	HA3027	Düsenbaugruppe	1	23	M50814-03	Luftschlauch	1
7-2	102548-05	Zündersatz	1	24	098511-236	Unteres Gehäuse	1
7-3	M10908-75	Schraube, #6-32 x 7/8 Zoll	1	25	M50104-03	Buchse	1
7-4	102336-01	Düsenadapterhalterung	1	26	M50104-01	Buchse	1
7-5	104054-01	Düsenadapter	1	27	102431-01	Schraube/Federring, 1/2 Zoll	6
7-6	103347-01	Tellerfeder	1	28	M11271-8	Klemmutter	8
8	102431-01	Schraube/Federring, 1/2 Zoll	2	29	RF3-4B	Schraube, #10-32 x 1/2 Zoll	1
9	102042-01	Lüfter	1	30	108088-04	Kraftstofftank	1
10	**	Motor- und Pumpenbaugruppe	1	31	097702-01	Kraftstofftankdeckel	1
10-1	102001-24	Motor mit Kondensator	1	32	102349-01	Leiterplatten-Halterschraube	5
10-2	079975-02	Pumpengehäuse	1	33	M50400	Entlastungsbuchse	1
10-3	FHPF3-5C	Schraube, #10-32 x 5/8 Zoll	2	34	079673-07	Netzkabel	1
10-4	M22009	Einsatz	1	35	M51077-15	Seitenabdeckung	1
10-5	M22456-1	Rotor	1	36	102431-01	Schraube/Federring, 1/2 Zoll	4
10-6	M50545	Pumpendeckel	1	37	102861-01	Nylongegenmutter	1
10-7	M12179	Einlaßfilter	1	38	079010-39	Verdrahtung (Braun)	1
10-8	M16545	Filterendabdeckung	1	39	105793-01	EIN-/AUS-Schalter	1
10-9	M8940	Stahlkugel (1/4 Zoll Durchm)	1	40	079919-01	Schalterabdeckung	1
10-10	M10993-1	Druckentlastungsfeder	1	41	WLE-3	Federring, #10	1
10-11	M27694	Stellschraube	1	42	NPF-3B	Mutter, #10-32	3
10-12	M22997	Stopfen	1	43	097468-01	Kantenverkleidung	1
10-13	M12461-31	Schraube, #10-32 x 1 Zoll	10	44	079010-40	Verdrahtung (Weiß)	1
10-14	M12244-1	Auslaßfilter	1	ERHÄLTICHE TEILE - NICHT GEZEIGT			
10-15	M11637	Staubfilter	1				
10-16	M50820-02	Fitting	1		HA2210	Einfüllstutzensieb	1
10-17	M8643	Flügel	4		103814-01	Drahtschließe	1
11	M50631	Gummistoßdämpfer	2		097650-01	Modellschild	2
12	101206-01	Motor- und Relaishalterungsbaugruppe	1		106013-03	Aufkleberpackung	1
13	101695-01	Knopfstopfen	1		105880-01	Sicherung	1
14	104068-04	Zündstromanlage	1				
15	NTC-4C	Sechskantmutter	2				

**Nicht als vollständige Baugruppe erhältlich. Teile einzeln bestellen.

BEDIENUNGSANLEITUNG

ERSATZTEIL- KATALOG

Dieser Katalog enthält die Ersatzteile für Ihr Heizgerät. Bei der Bestellung von Ersatzteilen ist es wichtig, daß Sie die entsprechenden Modell- und Seriennummern (vom Modellschild), gefolgt von der Ersatzteilnummer und der Beschreibung des gewünschten Teiles angeben.

B150CEH MODELL

KENN-NR.	TEILNUMMER	BESCHREIBUNG	STÜCK	KENN-NR.	TEILNUMMER	BESCHREIBUNG	STÜCK
1	098511-257	Oberes Gehäuse	1	15	NTC-4C	Sechskantmutter	2
2	102432-01	Schraube/Federring, 1/2 Zoll	8	16	M51114-01	Lüfterabdeckung	1
3	098512-66	Brennkammer	1	17	M27417	Ablaßschraube (einschließlich O-Ring)	1
4	103154-05	Photozellenhalterung	1				
5	M10908-2	Schraube, #6-32 x 3/8 Zoll	2	18	099213-01	Knopfstopfen	1
6	M16656-24	Photozellen-Baugruppe	1	19	M51345-04	Kraftstoffschlauch	1
7	**	Brennkopf-Baugruppe	1	20	107961-01	Kraftstofffilter	1
7-1	100735-24	Düsenbaugruppe	1	21	M51151-02	Kraftstoffschlauch	1
7-2	102548-05	Zündersatz	1	22	M10990-3	Gummibuchse	1
7-3	M10908-75	Schraube, #6-32 x 7/8 Zoll	1	23	M50814-03	Luftschlauch	1
7-4	102336-01	Düsenadapterhalterung	1	24	098511-236	Unteres Gehäuse	1
7-5	104054-01	Düsenadapter	1	25	M50104-03	Buchse	1
7-6	103347-01	Tellerfeder	1	26	M50104-01	Buchse	1
8	102431-01	Schraube/Federring, 1/2 Zoll	2	27	102431-01	Schraube/Federring, 1/2 Zoll	6
9	102042-01	Lüfter	1	28	M11271-8	Klemmutter	8
10	**	Motor- und Pumpenbaugruppe	1	29	RF3-4B	Schraube, #10-32 x 1/2 Zoll	1
10-1	102001-24	Motor mit Kondensator	1	30	108088-05	Kraftstofftank	1
10-2	079975-03	Pumpengehäuse	1	31	097702-01	Kraftstofftankdeckel	1
10-3	FHPF3-6C	Schraube, #10-32 x 3/4 Zoll	2	32	102349-01	Leiterplatten-Halterschraube	5
10-4	M22009	Einsatz	1	33	M50400	Entlastungsbuchse	1
10-5	M22456-2	Rotor	1	34	079673-07	Netzkabel	1
10-6	M50545	Pumpendeckel	1	35	M51077-15	Seitenabdeckung	1
10-7	M12179	Einlaßfilter	1	36	102431-01	Schraube/Federring, 1/2 Zoll	4
10-8	M16545	Filterendabdeckung	1	37	102861-01	Nylongegenmutter	1
10-9	M8940	Stahlkugel (1/4 Zoll Durchm)	1	38	079010-39	Verdrahtung (Braun)	1
10-10	M10993-1	Druckentlastungsfeder	1	39	105793-01	EIN-/AUS-Schalter	1
10-11	M27694	Stellschraube	1	40	079919-01	Schalterabdeckung	1
10-12	M22997	Stopfen	1	41	WLE-3	Federring, #10	1
10-13	M12461-31	Schraube, #10-32 x 1 Zoll	1	42	NPF-3B	Mutter, #10-32	3
10-14	M12244-1	Auslaßfilter	1	43	097468-01	Kantenverkleidung	1
10-15	M11637	Staubfilter	1	44	079010-40	Verdrahtung (Weiß)	1
10-16	M50820-02	Fitting	1	ERHÄLTICHE TEILE - NICHT GEZEIGT			
10-17	M8643-2	Flügel	4				
10-18	M12461-32	Schraube, #10-32 x 1 1/8 Zoll	6				
11	M50631	Gummistoßdämpfer	2		HA2210	Einfüllstutzensieb	1
12	101206-01	Motor- und Relaishalterungsbaugruppe	1		103814-01	Drahtschließe	1
					097650-01	Modellschild	2
13	101695-01	Knopfstopfen	1		106013-04	Aufkleberpackung	1
14	104068-04	Zündstromanlage	1		105880-01	Sicherung	1

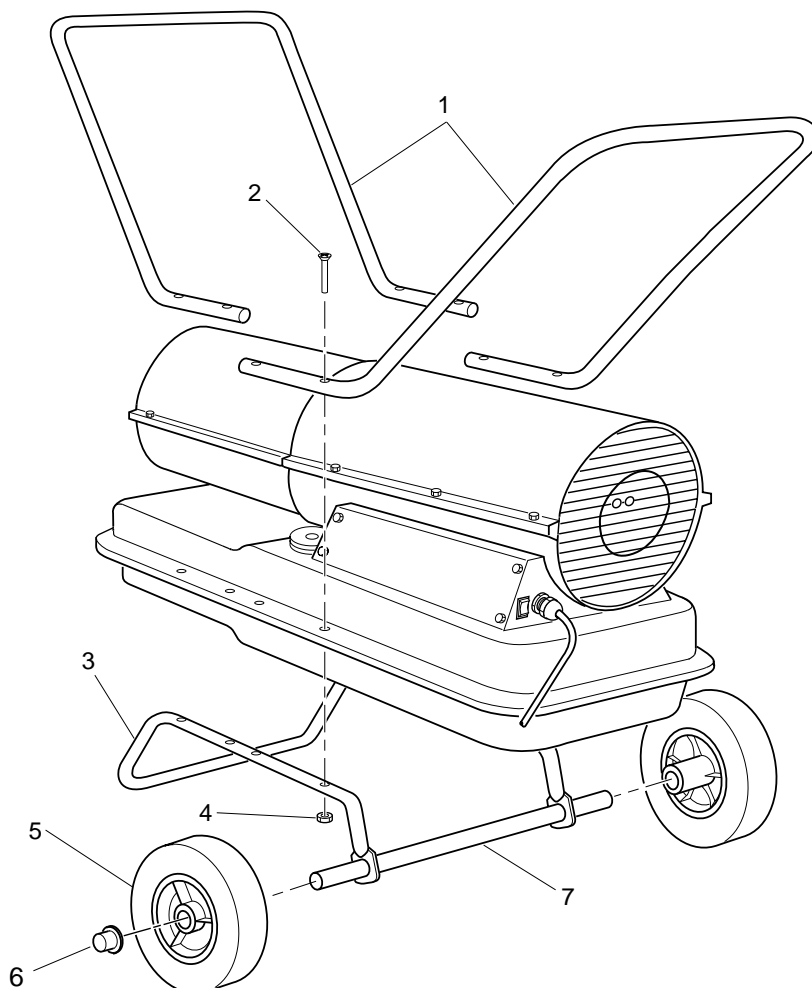
**Nicht als vollständige Baugruppe erhältlich. Teile einzeln bestellen.

TRAGBARE HOCHDRUCK-HEISSLUFTTURBINEN

RÄDER UND HANDGRIFFE

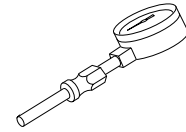
B100CEH UND B150CEH MODELLE

KENN-NR.	TEILNUMMER	BESCHREIBUNG	100.000 STÜCK	150.000 STÜCK
1	HA2203	Griffe	2	—
	HA2204	Griffe	—	2
2	M12345-33	Schraube #10-24 x 1 3/4 Zoll	8	8
3	M12342-3	Radstützrahmen	1	—
	M12831-3	Radstützrahmen	—	1
4	NTC-3C	Sechskantmutter #10-24	8	8
5	107426-01	Rad (2)	1	1
6	M28526	Überwurfmutter	2	2
7	M51015-01	Achse	1	—
	M16801-2	Achse	—	1



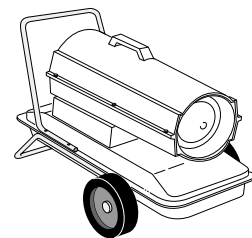
ZUSATZGERÄTE

Zusatzgeräte sind bei Ihrem zuständigen Händler erhältlich.



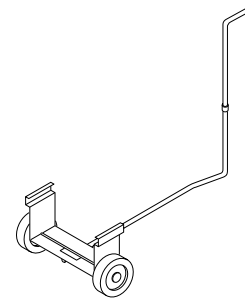
LUFTDRUCKMESSER - HA1180

Für alle Modelle. Spezialwerkzeug zur Pumpendruckprüfung.



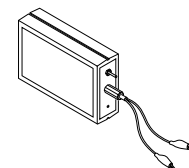
SATZ HOCHLEISTUNGSRÄDER UND -GRIFF - HA1202

Für Anwendungen mit starker Beanspruchung. Macht Ihr Heizgerät noch transportabler und praktischer. Für B35CEH und B70CEH Modelle.



SATZ STANDARDRÄDER UND -GRIFF - HA1206

Macht Ihr Heizgerät noch transportabler und praktischer. Einfacher Zusammenbau. Für B35CEH und B70CEH Modelle.



ZÜNDSTROMANLAGEN-/PHOTOZELLENTESTER - HA1170

Ein Spezialwerkzeug zum Prüfen der Zündstromanlage und Photozelle.

BEDIENUNGSANLEITUNG

EU-ÜBEREINSTIMMUNGSERKLÄRUNG

EU-KONFORMITÄTSEKTLÄRUNG

**DESA Europe B.V.
Innsbruckweg 144, 3047 AH
Postbus 11158
3004 ED Rotterdam
Holland**

**Erzeuger:
DESA International, Inc.
2701 Industrial Drive
Bowling Green, KY 42101 U.S.A.**

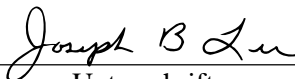
**Tragbare Hochdruck-Heizluftturbinen
Modellnummern: B35CEH, B70CEH, B100CEH, B150CEH**

Hiermit wird bescheinigt, daß diese Modelle in Übereinstimmung mit Maschinen-Richtlinie 98/37/EC sind, einschließlich 91/368/EEC und der Niederspannungs-Richtlinie 73/23/EEC. Es wird außerdem erklärt, daß diese Modelle mit der EMC-Richtlinie 89/336/EEC, erweitert durch 92/31/EEC einschließlich EN50081-1 und EN 50082-1 übereinstimmen.

Wir erklären, daß sich die genannten Modelle in Übereinstimmung befinden.

Firma	DESA International, Inc.
Name	Joseph B. Lee
Titel	Vice President, Heating Products Engineering

25.7.2000 — Bowling Green, KY
Datum und Ort


Unterschrift

GARANTIE UND REPARATURDIENST

BESCHEINIGUNG FÜR VERSCHIEDENE GERÄTE: AUF 1 JAHR BESCHRÄNKTE GARANTIE

Innerhalb der Garantiefrist von 1 Jahr haftet DESA International für Material- und Fertigungsfehler. Diese Garantie gilt für einen Zeitraum von 1 Jahr ab der Übernahme durch den Erstanwender und unterliegt folgenden Bedingungen:

Unter dieser Garantie ist DESA International lediglich zur Reparatur oder dem Ersatz von Teilen verpflichtet, die nach Einschätzung von DESA International das Herstellerwerk aufgrund von Fertigungs- oder Materialfehlern schadhaft verlassen haben. Solche Teile werden während der normalen Arbeitszeit für den Kunden unentgeltlich in der Niederlassung einer Vertragswerkstätte ersetzt oder repariert. Die Garantie schließt Teile oder Baugruppen, die nicht von DESA International hergestellt wurden und die über eine eigene Garantie vom jeweiligen Hersteller verfügen, sowie normale Wartungsarbeiten (wie zum Beispiel Druckeinstellungen) und Wartungsteile (wie zum Beispiel Filter und Zündkerzen) ausdrücklich aus. Ersetzte und reparierte Teile, die gemäß dieser Garantie im Produkt eingebaut werden, sind nur für den Rest der Garantiefrist durch die Garantie gedeckt, als ob sie ursprünglich mit dem Produkt geliefert worden wären. DESA INTERNATIONAL BIETET KEINE WEITEREN AUSDRÜCKLICHEN GARANTIE. IM RAHMEN DER EXISTIERENDEN GESETZE BIETET DESA KEINE STILLSCHWEIGENDE GARANTIE UND HAFTET KEINESFALLS IN BEZUG AUF DEN WIEDERVERKAUFSWERT ODER DIE EIGNUNG FÜR SPEZIELLE ANWENDUNGEN. IN ALLEN FÄLLEN IST JEDE STILLSCHWEIGENDE GARANTIE, EINSCHLIESSLICH FÜR DEN WIEDERVERKAUFS-

WERT UND DIE EIGNUNG FÜR SPEZIELLE ANWENDUNGEN, AUF DIE DAUER DIESER AUSDRÜCKLICHEN GARANTIE BESCHRÄNKT.

Der Kunde ist für jegliche Transportkosten, Montagekosten, Steuern oder Zölle, sowie für alle anderen anfallenden Kosten verantwortlich. DESA International ist unter dieser beschränkten Garantie auf keinen Fall für direkte oder indirekte Neben- bzw. Folgeschäden oder Verzögerungen haftbar. Auf Verlangen von DESA International sind alle Produkte oder Teile, für die Anspruch auf eine Garantieleistung erhoben wird, vom Käufer mit vorbezahlten Frachtkosten an das Werk zurückzusenden. Der unvorschriftsmäßige Gebrauch, einschließlich des Betriebs nach der Feststellung von Mängeln, Überbeanspruchung, die Verwendung von nicht genehmigten Ersatzteilen oder die Vornahme von jeglichen Veränderungen oder Reparaturen durch andere, durch die nach Ermessen von DESA das Produkt erheblich und abträglich beeinträchtigt wird, bewirken den sofortigen Verfall dieser Garantie.

DIESE GARANTIE KANN DURCH KEINEN ANGESTELLTEN ODER VERTRETER GEÄNDERT ODER ERGÄNZT WERDEN, ES SEI DENN, DIESE ÄNDERUNG ERFOLGT IN SCHRIFTLICHER FORM UND IST VON EINEM ZEICHNUNGSBERECHTIGTEN VON DESA INTERNATIONAL IN DER HAUPTNIEDERLASSUNG UNTERZEICHNET WORDEN.

GARANTIELEISTUNGEN

Wenn Sie sich mit dem Werk in Verbindung setzen, geben Sie stets die Modell- und Seriennummern an.

Das Recht zur Änderung der vorliegenden Spezifikationen ist vorbehalten. Wir bieten nur die allgemeine, schriftlich vorliegende Garantie. Wir bieten keine anderen ausdrücklichen oder stillschweigenden Garantien.

Ein Werkstatthandbuch kann schriftlich vom technischen Kundendienst unter der folgenden Adresse bestellt werden:

DESA
INTERNATIONAL

Corporate Headquarters
2701 Industrial Drive
P.O. Box 90004
Bowling Green, Kentucky 42102-9004
U.S.A.

DESA

INTERNATIONAL

Corporate Headquarters

2701 Industrial Drive

P.O. Box 90004

Bowling Green, Kentucky 42102-9004

U.S.A.



105398 01

Printed in U.S.A.

NOT A UPC

105398-01
Rev.G
06/01

Free Manuals Download Website

<http://myh66.com>

<http://usermanuals.us>

<http://www.somanuals.com>

<http://www.4manuals.cc>

<http://www.manual-lib.com>

<http://www.404manual.com>

<http://www.luxmanual.com>

<http://aubethermostatmanual.com>

Golf course search by state

<http://golfingnear.com>

Email search by domain

<http://emailbydomain.com>

Auto manuals search

<http://auto.somanuals.com>

TV manuals search

<http://tv.somanuals.com>