



No. 60089

Master Cut™ **7 in. Portable Tile Saw** **OWNER'S MANUAL**

Scie portatif à carreaux de 180 mm **MANUEL D'UTILISATION**

Sierra portátil para cortar loseta de 180 mm **MANUAL DE OPERACIÓN**



⚠ CAUTION

Read and follow all safety and operating instructions before using this saw.

⚠ ATTENTION

Lire et suivre toutes les directives de sécurité et d'opération avant d'utiliser cette scie.

⚠ ATENCIÓN

Lea y siga todas las instrucciones de funcionamiento y seguridad antes de usar esta sierra.





Master Cut™ 7 in. Portable Tile Saw

Scie portatif à carreaux de 180 mm

Sierra portátil para cortar loseta de 180 mm

No. 60089

TABLE OF CONTENTS

General Safety Instructions.....	3
Electrical Requirements	4
Warning	5
Extension Cords	5
Specific Operation Guide	6
Set Up and Operation	6-8
Diamond Blades	8
Diamond Blade Do's and Don'ts	8-9
Saw Maintenance	9
Troubleshooting	9
Accessories Included with Saw	9
State-of-the-Art Features of this Saw	9
Parts List	10
Specifications	10
Exploded Parts Diagram	11

LIMITED WARRANTY

Refer to warranty card.

TABLE DES MATIÈRES

Instructions générales de sécurité.....	12
Exigences électriques	13-14
Avertissement	14
Rallonges	14-15
Guide de fonctionnement spécifique	15
Installation et fonctionnement	15-17
Lames diamantées	18
Ce qu'il faut faire et ne pas faire pour les lames diamantées	18
Entretien de la scie	18
Dépannage.....	19
Accessoires inclus avec la scie	19
Caractéristiques de pointe de cette scie	19
Liste des pièces	20
Spécifications	20
Pièces éclatées	21

GARANTIE LIMITÉE



Faire référence à la carte de garantie.

CONTENIDO

Instrucciones generales de seguridad ...	22
Requerimientos eléctricos	23-24
Advertencia	24
Cables de extensión	25
Guía específica de uso	25-26
Puesta a punto y funcionamiento	26-27
Discos de diamante	28
Qué hacer y qué no hacer con el disco de diamante	28
Mantenimiento de la sierra	29
Localización de averías	29
Accesorios incluidos con la sierra	29
Características de avanzada de esta sierra	29
Lista de piezas	30
Especificaciones.....	30
Diagrama de las piezas.....	31

GARANTIA LIMITADA

Referirse a la tarjeta de garantía.

 WARNING	 AVERTISSEMENT	 ADVERTENCIA
<p>For your own safety, read instruction manual before operating saw.</p> <ol style="list-style-type: none"> 1. Always wear safety goggles when cutting. 2. Use splash hood for every operation for which it can be used. 3. Disconnect saw before cleaning or changing blade. 4. Do not use any cutting blade with openings and grooves. Use only continuous rim blades. 5. Replace damaged blade before operating. 6. Do not expose to rain or use in damp locations. 	<p>Pour assurer votre sécurité, lisez le mode d'emploi avant d'utiliser le coupeur.</p> <ol style="list-style-type: none"> 1. Toujours porter des lunettes protectrices pendant la coupe. 2. Utiliser le pare-éclaboussure pour chaque opération dont il peut être utilisé. 3. Débrancher l'outil avant de la nettoyer ou de changer les roues. 4. Ne pas utiliser des roues à couper avec des trous ou creux. Utiliser seulement des roues à couper lisses. 5. Remplacer les roues à couper endommagés avant de faire fonctionner l'outil. 6. Ne pas exposer à la pluie ou utiliser dans des endroits humides 	<p>Lee esta instrucción manual antes de usa la sierra para tu bien.</p> <ol style="list-style-type: none"> 1. Siempre utilice gafas de protección al cortar. 2. Utilice una capota de protección para cada operación en la cual la puede utilizar. 3. Desconectar la sierra antes de limpiarla o antes de cambiar el disco de corte. 4. No utilice ningún disco de corte que tenga aperturas o ranuras. Solamente utilice discos de corte lisos. 5. Reemplace el disco de corte cuando esté dañado. 6. No la exponga a la lluvia o no la utilice en áreas húmedas.

GENERAL SAFETY INSTRUCTIONS

Read this owner's manual completely and make sure you understand all of it's safety guidelines.

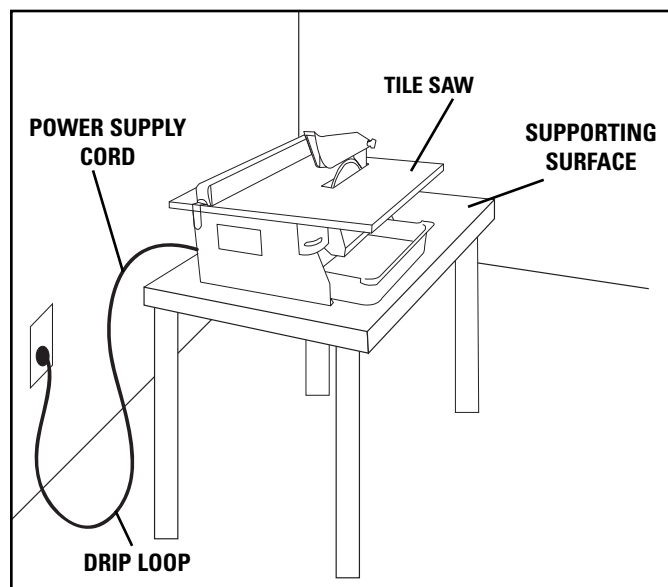
1. **KEEP GUARDS IN PLACE** and in working order.
2. **REMOVE ADJUSTING KEYS & WRENCHES.** Before turning on the tile saw, make sure the keys and adjusting wrenches have been removed.
3. **KEEP WORK AREA CLEAN.** Cluttered areas and benches invite accidents.
4. **ALWAYS REMAIN ALERT WHEN THE SAW IS IN USE.** Inattention on the part of the operator may lead to serious injury.
5. **DON'T USE IN A DANGEROUS ENVIRONMENT.** Don't use power tools in damp or wet locations or expose them to rain. Keep work area well lit.
6. **KEEP CHILDREN AWAY.** All visitors should remain at a safe distance from work area.
7. **MAKE WORKSHOP CHILD-PROOF** with padlocks, master switches or by removing starter keys.
8. **USE THE RIGHT TOOL.** Don't force a tool or attachment to do a job for which it was not designed.
9. **USE THE PROPER EXTENSION CORD.** Make sure your extension cord is in good condition. When using an extension cord, be sure to use one heavy enough to carry the current your product will draw. An undersized cord will cause a drop in line voltage resulting in loss of power and overheating. Table (see Table 1) shows the correct size to use depending on cord length and nameplate ampere rating. If in doubt, use the next heavier gauge. The smaller the gauge number, the heavier the cord.
10. **DON'T FORCE THE TOOL.** It has been designed to operate at maximum safety and performance levels.
11. **DO NOT FORCE THE MATERIAL BEING CUT.** Always let the blade cut at its own speed.
12. **WEAR PROPER APPAREL.** Do not wear loose clothing, neckties, rings, bracelets or other jewelry which may get caught in moving parts. Non-slip foot wear is recommended. Wear protective hair covering if you have long hair.
13. **ALWAYS USE SAFETY GLASSES.** Also use face or dust mask for commercial cutting operations. Everyday eyeglasses only have impact-resistant lenses, they are NOT safety glasses.
14. **SECURE WORK.** Use clamps or a vise instead of your hand to hold work when practical. This safety precaution allows for proper tool operation using both hands.
15. **DON'T OVERREACH.** Keep proper footing and balance at all times.
16. **MAINTAIN TOOLS WITH CARE.** Keep tools clean and in good working condition for maximum safety performance. Follow instructions for lubricating and changing accessories.
17. **DISCONNECT TOOLS BEFORE SERVICING** – when changing accessories, such as blades, bits, cutters, etc.
18. **REDUCE THE RISK OF UNINTENTIONAL STARTING.** Make sure switch is in OFF position before plugging in.
19. **USE RECOMMENDED ACCESSORIES.** Consult the owner's manual for recommended accessories. The use of improper accessories may increase risk of injury.
20. **DO NOT DRY CUT WITH BLADES DESIGNED FOR WET CUTS.**
21. **MAKE SURE YOU USE THE CORRECT BLADE** for the job you are doing.
22. **NEVER STAND ON TOOL.** Serious injury could occur if the wet saw is tipped or if the cutting tool is unintentionally contacted.
23. **CHECK DAMAGED PARTS.** Before further use of the tool, damaged part(s), (i.e., guard) should be carefully checked to determine that it will operate properly and perform its intended function. Check for alignment of moving parts, binding of moving parts, breakage of parts, mounting and any other condition that may affect the saw's operation. A guard or other part that is damaged should be properly repaired or replaced.
24. **ENSURE THAT THERE IS A CONTINUOUS FLOW OF WATER** to both sides of blade during operation.
25. **CHECK DIAMOND BLADES CAREFULLY FOR CRACKS, NICKS, MISSING DIAMOND MATRIX OR OUT-OF-ALIGNMENT CONDITION.** Replace damaged blades immediately. **DO NOT USE DAMAGED BLADES.** They may cause bodily injury.
26. **DIRECTION OF FEED.** Feed work into the blade against the direction of rotation of the blade only.
27. **DO NOT ALTER THE PLUG OR USE A 2-PRONG RECEPTACLE.** This saw is equipped with a 3-prong electrical plug.
28. **NEVER LEAVE TOOL RUNNING UNATTENDED.** Turn power off. Don't leave tool until it comes to a complete stop.

29. POSITIONING OF TILE SAW See FIGURE 1

- A. To avoid the possibility of the appliance plug or receptacle getting wet, position the tile saw to one side of a wall-mounted receptacle to prevent water from dripping onto the receptacle or plug. The user should arrange a "drip loop" in the cord connecting the saw to a receptacle. The "drip loop" is that part of the cord below the level of the receptacle, or connector if an extension cord is used, to prevent water traveling along the cord and coming in contact with the receptacle.
- B. If the plug or receptacle does get wet, **DO NOT** unplug the cord. Disconnect the fuse or circuit breaker that supplies power to the tool. Then, unplug and examine for presence of water in the receptacle.

30. **CHECK DIAMOND BLADES CAREFULLY** for cracks, nicks, missing diamond matrix, or out-of-alignment. Replace blades immediately. **DO NOT** use damaged blades. They may cause bodily injury.

FIGURE 1

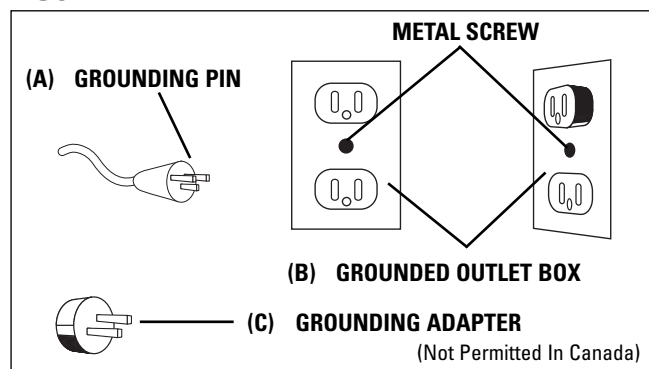


ELECTRICAL REQUIREMENTS

- **THIS TILE SAW MUST BE CONNECTED TO A GROUNDED POWER SOURCE** while in use to protect the operator from electrical shock.
- **IN THE EVENT OF A MALFUNCTION OR BREAKDOWN**, grounding provides a path of least resistance for electrical current to reduce the risk of electrical shock. The tile saw is equipped with an electrical cord with a grounding conductor and a grounding plug. Insert the 3-prong electrical plug into a 3-pole receptacle that is properly installed and grounded in accordance with all local codes and ordinances.
- **DO NOT MODIFY THE PLUG** provided if it will not fit the outlet. Have the proper outlet installed by a qualified electrician.
- **IMPROPER CONNECTION OF THE EQUIPMENT-GROUNDING CONDUCTOR CAN RESULT IN A RISK OF ELECTRIC SHOCK.** The conductor with insulation that is green on the outside (with or without yellow stripes) is the equipment-grounding conductor. If repair or replacement of the electrical cord or plug is necessary, do not connect the equipment-grounding conductor to a live terminal.
- **CHECK WITH A QUALIFIED ELECTRICIAN** or service personnel if the grounding instructions are not completely understood, or if in doubt as to whether the tool is properly grounded.
- **USE ONLY 3-WIRE EXTENSION CORDS** that have 3-prong grounding plugs and 3-pole receptacles that accept the tile saw's plug.
- **REPAIR OR REPLACE DAMAGED OR WORN CORD IMMEDIATELY.**
- **IF THE PLUG OR RECEPTACLE DOES GET WET, DO NOT UNPLUG THE CORD.** Disconnect the fuse or circuit breaker that supplies power to the tool. Then, unplug and examine for presence of water in the receptacle.
- **ONLY UL-LISTED EXTENSION CORDS SHOULD BE USED WITH THIS PRODUCT.**
- **IMPROPER USE OF EXTENSION CORDS MAY CAUSE INEFFICIENT OPERATION OF YOUR TOOL**, which can result in overheating. Be sure your extension cord is rated to allow sufficient current flow to the motor. For the proper gauge for this tile saw, please refer to **TABLE 1**.
- **DO NOT LET YOUR FINGERS TOUCH THE TERMINALS** of plug when installing or removing the plug to or from the outlet.
- **THIS TILE SAW MUST BE PROPERLY GROUNDED.** The risk of electric shock and bodily injury are greatly increased if it is not, particularly when used in damp locations or in proximity to plumbing.

NOTE: This tool is intended for use on a circuit that has an

FIGURE 2



outlet that looks like the one illustrated in **FIGURE 2 (A)**. The tool has a grounding plug that looks like the plug illustrated in **FIGURE 2 (A)**. A temporary adapter, which looks like the adapter illustrated in **FIGURE 2 (B) AND (C)**, may be used to connect this plug to a 2-pole receptacle as shown in **FIGURE 2 (B)** if a properly grounded outlet can be installed by a qualified electrician. The green-colored rigid prongs extending from the adapter must be connected to a permanent ground such as a properly grounded outlet box.

⚠ WARNING

PERSONAL INJURY CAN OCCUR IF OPERATED IMPROPERLY.

- Keep fingers and loose clothing away from rotating blade.
- Use extreme caution when cutting tile. Make sure hands and fingers are clear from the blade groove in the sliding table. Severe abrasion, cuts, or pinching of hands or fingers can occur as the table is advanced, particularly at the end of its travel.
- Electrical shock can occur if operating instructions are not followed.

FOR YOUR OWN SAFETY READ INSTRUCTION MANUAL BEFORE OPERATING SAW.

- Wear eye protection.
- Use splash hood for every operation for which it can be used.
- Unplug saw before servicing, when changing cutting wheels, and cleaning.
- Use tool only with smooth-edge cutting wheels free of openings and grooves.
- Replace damaged cutting wheel before operating.
- Do not fill water tray above water fill line.

EXTENSION CORDS

⚠ WARNING

TO REDUCE THE RISK OF ELECTROCUTION, KEEP ALL CONNECTIONS DRY AND OFF THE GROUND. DO NOT TOUCH PLUG WITH WET HANDS.

1. Use only extension cords that are intended for outdoor use. These extension cords are identified by a marking "Acceptable for use with outdoor appliances: store indoors while not in use." Use only extension cords having an electrical rating not less than the rating of the product. Do not use damaged extension cords. Examine extension cord before using and replace if damaged. Do not abuse extension cords and do not yank on any cord to disconnect. Keep cord away from heat and sharp edges. Always disconnect the extension cord from the receptacle before disconnecting the product from the extension cord.
2. Ground Fault circuit Interrupter (GFCI) protection should be provided on the circuit(s) or outlet(s) to be used for the tile saw. Receptacles are available having built-in GFCI protection and may be used for this measure of safety.
3. **USE PROPER EXTENSION CORD.** Make sure your extension cord is in good condition. When using an extension cord, be sure to use a cord heavy enough to carry the current your product will draw. An undersized cord will cause a drop in line voltage, resulting in loss power and overheating. **TABLE 1** below shows the correct size to use depending on cord length and nameplate ampere rating. If in doubt, use the next heavier gauge. The smaller the gauge number, the heavier the cord.

TABLE 1

Ampere Rating		Total length of cord in feet				
		Volts 120 V 240 V	25 ft. 50 ft.	50 ft. 100 ft.	100 ft. 200 ft.	150 ft. 300 ft.
More Than	Not More Than	AWG				
0	6		18	16	16	14
6	10		18	16	14	12
10	12		16	16	14	12
12	16		14	12	Not Recommended	

NOTE: When using an extension cord, ensure all cords are no smaller than #12 gauge, rated at a 20-amp minimum, and equipped with 3-prong plugs. Use of anything smaller may result in overheating or burn out of

the motor. It is recommended to have an electrician check the voltage at the saw motor to ensure proper voltage to run the saw efficiently and safely.

SPECIFIC OPERATION GUIDE

1. Ensure that the directional arrow marked on the blade corresponds with the rotational direction of the motor.
2. With the saw disconnected from the power supply, rotate the blade by hand to ensure it is free from obstruction.
3. Always keep the blade-securing arbor and collars clean.
4. Ensure that the blade-securing bolt is securely tightened.
5. Never try to cut freehand. Always ensure that the tile to be cut is pressed firmly against the rip fence.
6. Ensure that the workpiece that will be cut off has sufficient room to move sideways. Failure to do so may result in the off-cut binding against the blade.
7. Never cut more than one tile at a time.
8. Never cut pieces too small that are not held securely against the rip fence, and provide enough space for the hand to be a safe distance from the blade.
9. Ensure that the table and surrounding area are clear with the exception of the tile to be cut.
10. Before cutting a tile piece, let the saw blade run freely for a few seconds. If it makes an unfamiliar sound or vibrates excessively, switch it off immediately and disconnect it from the power supply.
11. Let the blade reach full speed before commencing the cut.
12. Let the blade come to a complete stop before removing any jammed material from around the blade area.
13. Never allow the blade to run dry. Failure to keep the water tray at the recommended level will result in possible over-heating of the diamond blade.

SET UP AND OPERATION

⚠ CAUTION

Follow all of the Assembly & Installation Instructions completely before connecting the saw to a power source or turning the motor on.

Carefully open the container and remove all saw components and packing materials. Ensure that you have checked each item with the exploded view before discarding the container or packing materials. The contents of the container are as follows:

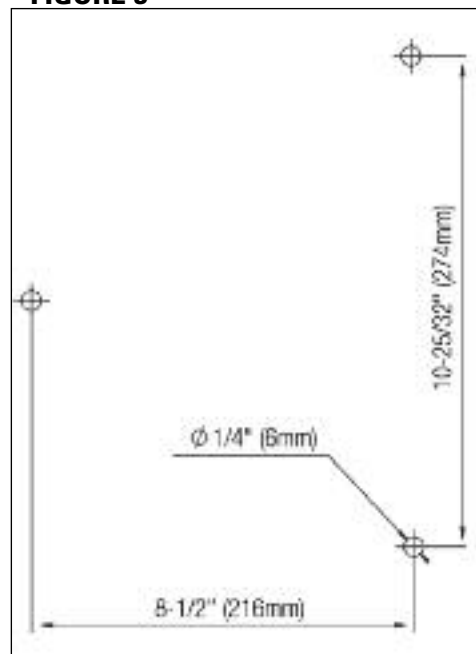
- Water Tank
- Blade Guard Support
- Spanner A
- Blade Guard
- Spanner B
- Parallel Guide
- 7 in. (180 mm) Continuous Rim Diamond Blade
- Angle Gauge

The following pages illustrate the step-by-step installation of various components and operation of this saw. Read instructions completely before operating this saw!

ATTACHING THE TILE CUTTER ON A WORKBENCH:

1. Drill three holes in the workbench the same as dimensions in **FIGURE 3**.
2. Fasten the machine with bolts on to the workbench.

FIGURE 3



BLADE AND BLADE GUARD INSTALLATION:

Use with 7 in. Continuous Rim Diamond Blade.

1. Unplug the machine from the power source.
2. Remove the water tank from underneath the machine.
3. Remove the lower blade guard by removing the screws on each side of the lower blade guard **FIGURE 4**.
4. Use Spanner A and Spanner B to loosen and remove the arbor nut from the motor spindle as shown in **FIGURE 5**.
5. Slide the outer flange **FIGURE 5** and the diamond blade off the end of the motor spindle.
6. Slide the new diamond blade and the outer flange over the end of the motor spindle. Note: Make sure the directional arrow printed on the diamond blade is pointing in a counter-clockwise direction when viewing the machine facing the arbor nut.
7. Thread and tighten the arbor nut onto the motor spindle to secure the diamond blade.
8. Re-install the lower blade guard.

FIGURE 4

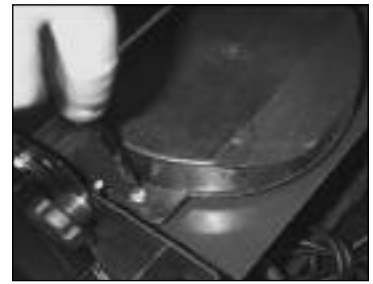


FIGURE 5



FILLING AND DRAINING THE WATER TRAY:

1. Fill the tray with water to cool blade during operation of the tile saw.
2. Remove the tray and pour the water out.

STARTING AND STOPPING THE MOTOR:

This machine has a magnetic switch for safer operation.

1. Connect the unit to a power supply of the correct voltage and frequency (120V–60HZ).
2. To turn the machine on, push the switch to “ON.”
3. To turn the machine off, push the switch to “OFF.”

▲ WARNING

For your own safety, always position the switch to the “OFF” position when the saw is not in use. In the event of a power failure, blown fuse or tripped circuit breaker, press switch to the “OFF” position. This will prevent the tool from starting up again when the power comes back on.

▲ WARNING

Only use this machine after it has been assembled completely and it has been screwed onto the workbench.

STEPS FOR MAKING A STRAIGHT CUT:

1. Using a marking pencil, mark the cut line on a piece of tile.
2. Unlock the parallel guide **FIGURE 6** and slide it to the edge of the table.
3. Line up the cut line on the tile with the diamond blade.
4. Adjust the parallel guide against the edge of the tile and lock the parallel guide into position.
5. Turn the machine on by pushing the switch to the “ON” position, and then allow it to reach full speed. Be sure the blade runs smoothly. The blade should also be wet from the water tank below the machine before beginning use.
6. Keeping fingers out of the cutting path, slowly slide the tile into the moving blade. Note: **DO NOT** feed the tile into the blade too fast.

FIGURE 6



STEPS FOR MAKING A DIAGONAL CUT:

Diagonal cuts can be made on rectangular tiles using the supplied angle gauge. **FIGURE 7** shows a typical set up for cutting the corner off a square tile.

FIGURE 7



STEPS FOR MAKING MITER OR 45 DEGREE CUTS:

The work table can be tilted up to 45 degrees to accommodate bevel cutting. Loosen the knob on the front of the tile cutter as shown in **FIGURE 8**. Use the scale on the front of the tile cutter to set the desired table tilt angle. Re-tighten the knob to secure the table.

FIGURE 8



CHANGING THE BLADE:

▲ WARNING

Disconnect the power supply before making adjustments, maintenance, cleaning or replacing the blade!

1. Unplug the machine from the power source.
2. Remove the water tank from underneath the machine.
3. Remove the lower blade guard by removing the screws on each side of the lower blade guard **FIGURE 4**.
4. Use Spanner A and Spanner B to loosen and remove the arbor nut from the motor spindle as shown in **FIGURE 5**.
5. Slide the outer flange **FIGURE 5** and the diamond blade off the end of the motor spindle.
6. Slide the new diamond blade and the outer flange over the end of the motor spindle. Note: Make sure the directional arrow printed on the diamond blade is pointing in a counter-clockwise direction when viewing the machine facing the arbor nut.
7. Thread and tighten the arbor nut onto the motor spindle to secure the diamond blade.
8. Re-install the lower blade guard.

DIAMOND BLADES

1. Use only 7 in. (180 mm) Continuous Rim Diamond blades in this saw.
2. This saw uses Continuous Rim Wet Diamond blades with a 5/8 in. (15.88 mm) diameter arbor.
3. This tile saw is to be used with only Continuous Rim Diamond Blades. Failure to do so may result in severe bodily injury and damage to the saw.

DIAMOND BLADE DO'S & DON'Ts

DO's

1. Inspect blades daily for cracks or uneven wear. Discard cracked, chipped or bent blades!
2. Always use manufacturer's recommendation for matching the right blade with the right material being cut.
3. Inspect the arbor shaft for uneven wear before mounting the blade.
4. Always use blades with the correct arbor size on a compatible arbor shaft.
5. Ensure the blade is mounted with the rotation arrow in the proper direction and is securely tightened with a wrench.
6. Always wear proper safety equipment at all times when operating the saw. Wear goggles and dust mask at all times when operating saw.
7. Periodically check the blade for cracks or bond fatigue.
8. Always ensure a continuous flow of water on both sides of the blade before cutting any material.

DON'Ts

1. Do not operate the saw without all safety guards in position.
 2. Do not operate the saw with blades larger or smaller than recommended.
 3. Do not cut dry with blades marked "Use Wet."
 4. Do not exceed maximum RPMs recommended by the blade manufacturer.
 5. Do not force the material into the blade. Let the blade cut at its own speed.
 6. Do not cut material not recommended by the blade manufacturer.
-

SAW MAINTENANCE

▲ WARNING

Do not service, clean or maintain the saw without first turning off the motor and unplugging the saw from its power source. Failure to do so may result in serious injury to the operator.

1. "Truing" the cutting table may be required occasionally. The saw blade must be 90° to the "tile stop" on the cutting table to prevent blade "binding" while cutting tile.
 - a. Use a carpenter's square, held against the blade and against the "tile stop", at the back of the cutting table.
 - b. If the two are not square (90°), loosen the wing nut on the left guide rail, and move the guide rail until the blade and cutting table are exactly square.
 - c. Tighten the wing nut on the guide rail securely.
 2. For longest life and best performance, clean the saw after every use.
 3. Wipe off all exterior surfaces and keep the cutting table clean and free of tile chips and debris.
 4. Wipe off both the guide bars and the rollers on the cutting table.
 5. Place light machine oil on the guide bar to facilitate smooth travel of the linear guide assembly.
-

TROUBLESHOOTING

OVERHEATING OF SAW:

- A. Turn saw off and let it rest until motor is cool to the touch.
- B. Check and clean the ventilation slots, removing blockage and dirt.

THE SAW DOES NOT START:

- A. Check that power cord is properly plugged in.
 - B. No power from outlet.
 - C. Switch is damaged.
-

ACCESSORIES INCLUDED WITH SAW

- Spanner A
 - Spanner B
 - 7 in. (180 mm) Continuous Rim Diamond Blade
 - Angle Gauge
 - Parallel Guide
-

STATE-OF-THE-ART FEATURES OF THIS SAW

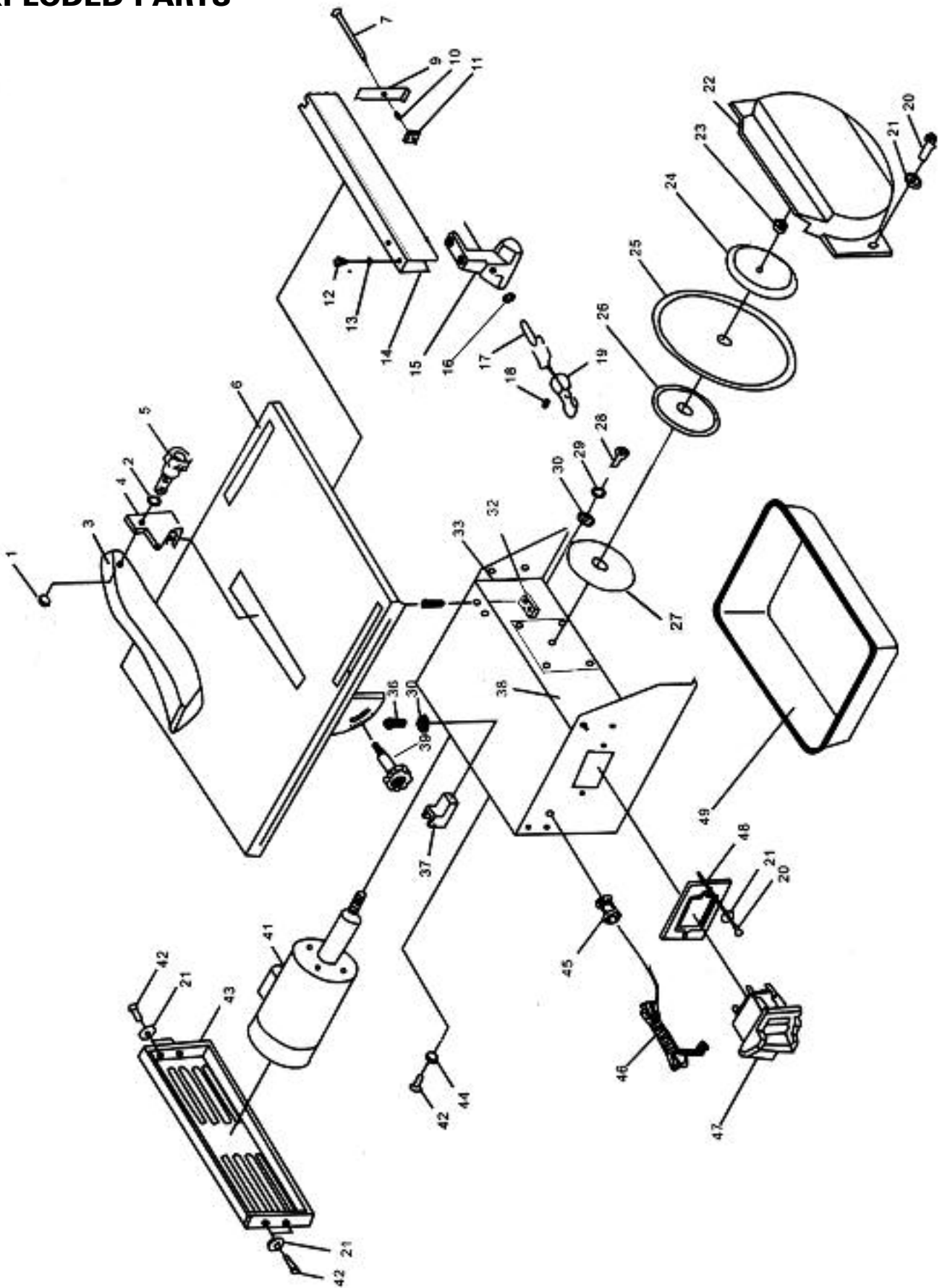
- Lightweight and portable
- Adjustable cutting table allows for precision 45 degree cuts
- Direct drive, 3/5 HP motor, 3,600 RPM
- Automatic thermal overload protection protects saw from power surges and motor overheating
- Lightweight for easy setup and maintenance

PARTS LIST

PART #	DESCRIPTION
60089-1-N	Nut
60089-2-N	Washer
60089-3-N	Blade Guard
60089-4-N	Riving Knife
60089-5-N	Bolt
60089-6-N	Table
60089-7-N	Clamp Rod
60089-9-N	Moving Clamp
60089-10-N	Spring
60089-11-N	Square Spacer
60089-12-N	Hex Screw
60089-13-N	Washer
60089-14-N	Fence
60089-15-N	Fixed Clamp
60089-16-N	Flat Washer
60089-17-N	Connection Bolt
60089-18-N	Cotter Pin
60089-19-N	Clamp Lever
60089-20-N	Screw
60089-21-N	Washer
60089-22-N	Lower Blade Guard

PART #	DESCRIPTION
60089-23-N	Nut
60089-24-N	Outer Flange
60089-25-N	Blade
60089-26-N	Inner Flange
60089-27-N	Lower Blade Plate
60089-28-N	Screw
60089-29-N	Spring Washer
60089-30-N	Washer
60089-32-N	Nut
60089-33-N	Frame
60089-36-N	Screw
60089-37-N	Cord Storage
60089-39-N	Knob
60089-41-N	Motor
60089-42-N	Screw
60089-44-N	Star Washer
60089-45-N	Strain Relief
60089-46-N	Cable and Plug
60089-47-N	Key Safety Switch
60089-48-N	Plate
60089-49-N	Water Tank

EXPLODED PARTS



RÈGLES GÉNÉRALES SUR LA SÉCURITÉ

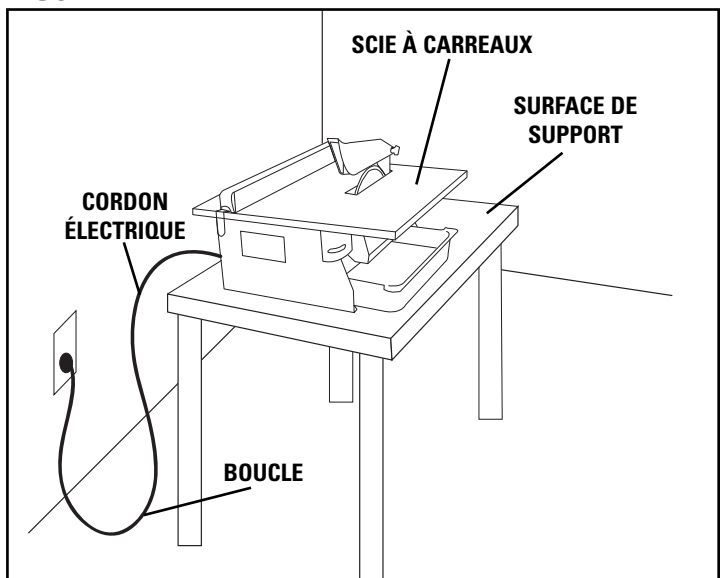
Lire ce manuel d'utilisation au complet et s'assurer de bien comprendre toutes les consignes de sécurité.

1. **LAISSER LES ACCESSOIRES DE PROTECTION EN PLACE** et en état de marche.
2. **ENLEVER LES CLÉS DE RÉGLAGE ET LES CLÉS.** Prendre l'habitude de vérifier si elles sont bien enlevées avant de faire démarrer la scie.
3. **GARDER VOTRE ZONE DE TRAVAIL PROPRE.** Les accidents sont souvent dus à des endroits encombrés et au désordre sur un établi.
4. **TOUJOURS DEMEURER ALERTE LORS DE L'UTILISATION DE LA SCIE.** Un moment d'inattention de la part de l'opérateur peut entraîner des blessures graves.
5. **NE PAS TRAVAILLER DANS UN ENVIRONNEMENT DANGEREUX.** Éviter d'utiliser des outils électriques dans des endroits humides ou mouillés, et encore moins sous la pluie. Veillez à bien éclairer votre zone de travail.
6. **GARDER LES ENFANTS HORS DE PORTÉE.** Les visiteurs doivent se tenir suffisamment à l'écart de votre zone de travail.
7. **RENDRE VOTRE ATELIER À L'ÉPREUVE DES ENFANTS** au moyen de cadenas, d'interrupteurs généraux ou en enlevant les clés de contact des appareils.
8. **UTILISER L'OUTIL APPROPRIÉ.** Ne pas forcer l'outil ou l'accessoire à faire un travail pour lequel ils ne sont pas conçus.
9. **UTILISER UNE RALLONGE APPROPRIÉE.** S'assurer que votre rallonge soit en bon état et qu'elle soit d'un calibre suffisant pour supporter le courant que votre appareil soutiendra. Une rallonge de calibre insuffisant causera une perte de tension et provoquera ainsi une panne électrique et un surchauffage. Le tableau (se reporter au **TABLEAU 1**) indique les calibres à utiliser selon la longueur de la rallonge et la puissance nominale en ampères. En cas de doute, utiliser le calibre supérieur. Plus le numéro de jauge est petit, plus le calibre est élevé.
10. **NE PAS FORCER L'OUTIL.** Il fonctionnera mieux et il y aura moins de risques s'il est utilisé selon ses normes.
11. **NE PAS FORCER LE MATÉRIAU À COUPER.** Toujours laisser la lame couper à son propre rythme.
12. **PORTER LES VÊTEMENTS APPROPRIÉS.** Évitez de porter des vêtements amples, des cravates, des bagues, des bracelets ou des bijoux qui risquent de s'accrocher dans les éléments mobiles. Il est recommandé de porter des chaussures à semelles antidérapantes. Si vous avez des cheveux longs, couvrez les pour les protéger.
13. **TOUJOURS PORTER DES LUNETTES DE SÉCURITÉ.** Portez également un masque facial ou anti-poussières lors des opérations de coupe commerciales. Les lunettes de tous les jours ne sont munies que de lentilles résistantes aux chocs; ce ne sont PAS des lunettes de protection.
14. **SECURISEZ VOTRE PLAN DE TRAVAIL.** Autant que possible, utiliser des pinces ou un étau au lieu de vos mains pour tenir les pièces. Cette mesure de sécurité vous permettra de faire fonctionner l'outil correctement avec vos deux mains.
15. **NE PAS UTILISER LA SCIE À BOUT DE BRAS.** Gardez les pieds fermement au sol et un bon équilibre en permanence.
16. **ENTREtenir LES OUTILS AVEC SOINS.** Garder les outils propres et en bon état pour obtenir un rendement sécuritaire maximal. Respecter les instructions de graissage et de remplacement des accessoires.
17. **DÉBRANCHER L'OUTIL AVANT D'EFFECTUER L'ENTRETIEN,** de remplacer des accessoires tels que les lames, les forets, les coupeurs, etc.
18. **RÉDUIRE LES RISQUES DE DÉMARRAGE ACCIDENTEL.** Vérifier que l'interrupteur soit bien à la position OFF (éteint) avant de le brancher.
19. **UTILISER LES ACCESSOIRES RECOMMANDÉS.** Consulter le manuel d'utilisation pour la liste des accessoires recommandés. L'utilisation d'accessoires inappropriés peut augmenter les risques de blessure.
20. **NE PAS COUPER À SEC AVEC DES LAMES CONÇUES POUR LES COUPES AU MOUILLÉ.**
21. **S'ASSURER D'UTILISER LES LAMES APPROPRIÉES** pour le travail à effectuer.
22. **NE JAMAIS SE TENIR DEBOUT SUR L'OUTIL.** Cela risque de causer des blessures graves si l'outil bascule ou entre accidentellement en contact avec la personne.

23. **VÉRIFIER LES PIÈCES ENDOMMAGÉES.** Avant d'utiliser l'outil, vérifier s'il y a des pièces endommagées (un protecteur, par exemple) avec soin pour s'assurer qu'elles fonctionneront correctement et qu'elles effectueront la fonction pour laquelle elles ont été conçues. Vérifier l'alignement des pièces mobiles, leurs fixations, les risques de rupture, leur montage et tout autre élément pouvant affecter le fonctionnement de la scie. Réparer ou remplacer tout protecteur ou pièce endommagée.
24. **S'ASSURER QU'IL Y AIT UN DÉBIT D'EAU CONTINU** des deux côtés du disque lors du fonctionnement.
25. **EXAMINER LES LAMES À TRANCHANT AU DIAMANT AVEC SOINS POUR S'ASSURER QU'ELLES N'AIENT PAS DE FISSURES, D'ENTAILLES, QUE TOUTES LES MATRICES AU DIAMANT SOIENT PRÉSENTES ET QU'ELLES SOIENT OU BIEN ALIGNÉES.** Remplacer les lames endommagées immédiatement. **NE PAS UTILISER UNE LAME ENDOMMAGÉE.** Elle risque de causer des blessures.
26. **SENS DE L'ALIMENTATION.** Alimenter la pièce à découper en direction opposée à la rotation du disque.
27. **NE PAS MODIFIER LA FICHE OU UTILISER UNE PRISE DE COURANT BIPOLAIRE.** Cette scie est munie d'une fiche électrique à 3 broches.
28. **NE JAMAIS LAISSER L'OUTIL FONCTIONNER SANS SURVEILLANCE.** Éteindre l'outil et ne pas le laisser avant qu'il ne se soit arrêté complètement.
29. **COMMENT PLACER LA SCIE À CARREAUX (Voir FIGURE 1)**

- A. Afin d'éviter de mouiller la fiche de l'appareil ou la prise de courant, placer la scie à carreau du côté d'une prise de courant murale afin d'empêcher l'eau de s'égoutter dans la prise ou la fiche. L'utilisateur doit arranger une boucle d'égouttement dans le cordon reliant la scie à la prise de courant. La boucle d'égouttement est la partie du cordon qui se trouve sous le niveau de la prise, ou du connecteur dans le cas d'utilisation d'une rallonge, pour empêcher l'eau de s'égoutter le long du cordon et d'entrer en contact avec la prise.
- B. Si la fiche ou la prise entrent en contact avec de l'eau, **NE PAS** débrancher le cordon. Débrancher le fusible ou le disjoncteur qui alimentent l'outil. Ensuite, débrancher l'appareil et vérifier s'il y a de l'eau dans la prise.

FIGURE 1



30. **EXAMINER LES LAMES À TRANCHANT AU DIAMANT AVEC SOINS** pour s'assurer qu'elles n'aient pas de fissures ou d'entailles, que toutes les matrices au diamant soient présentes et qu'elles soient bien alignées. Remplacer les lames endommagées immédiatement. **NE PAS** utiliser une lame endommagée. Elle risque de causer des blessures.

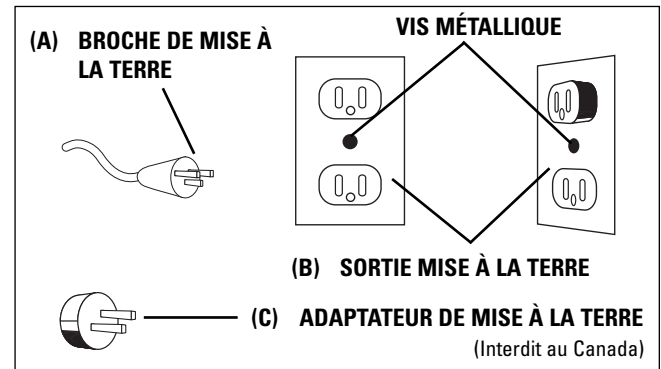
INSTALLATIONS ÉLECTRIQUES

- **BRANCHER L'APPAREIL À LA SOURCE D'ÉNERGIE.** Pour protéger l'utilisateur contre toute possibilité et tout risque d'électrocution, cet outil doit être branché dans une prise mise à la terre.
- Dans le cas d'un mauvais fonctionnement ou d'une panne, la mise à la terre fournit un chemin de moindre résistance au courant électrique et réduit le risque de choc électrique. Cet outil est équipé d'un cordon électrique avec conducteur de terre et fiche de masse. Brancher la fiche électrique à 3 broches dans une prise tripolaire installée adéquatement et mise à la terre conformément aux règles et ordonnances locales.
- Ne pas modifier la fiche fournie si elle ne convient pas à votre prise. Faire installer la prise nécessaire par un électricien qualifié.
- Une connexion incorrecte du conducteur de terre peut créer un risque d'électrocution. Le fil isolé de couleur verte (avec ou sans rayures jaunes) est le conducteur de terre de l'appareil. Si le cordon électrique ou la fiche doivent être réparés, ne pas relier le conducteur de terre de l'appareil à une borne positive.
- Vérifier auprès d'un électricien ou d'un employé de maintenance qualifiés si les directives de mise à la terre ne sont pas bien comprises ou en cas de doute quant à la mise à la terre de l'outil.
- N'utiliser que des rallonges à 3 fils avec un fil de mise à la terre et des prises tripolaires qui correspondent à la fiche de l'outil.

- Réparer ou remplacer immédiatement les cordons électriques endommagés ou usés.
- Si la prise entre en contact avec de l'eau, ne pas débrancher le cordon. Débrancher le fusible ou le disjoncteur qui alimentent l'outil. Ensuite, débrancher l'appareil et vérifier s'il y a de l'eau dans la prise.
- N'utiliser que les rallonges électriques classées UL.
- L'utilisation des rallonges électriques de capacité insuffisante risque de mal faire fonctionner l'outil et provoquer une surchauffe. S'assurer que le calibre de la rallonge électrique soit suffisant pour alimenter le moteur. Pour connaître le calibre nécessaire pour cette scie à eau, se reporter au **TABLEAU 1**.
- Ne jamais laisser vos doigts entrer en contact avec les broches de la prise lorsque vous branchez ou débranchez l'alimentation.
- Cette scie à eau doit être mise à la terre correctement, sinon les risques d'électrocution et de blessures augmentent énormément, particulièrement lorsque l'outil est utilisé dans des endroits humides ou près de la tuyauterie.

NOTE: Cet outil est conçu pour être branché sur un circuit doté d'une prise ressemblant à celle représentée au **FIGURE 2 (A)**. Sa fiche de terre ressemble aussi à celle représentée au **FIGURE 2 (A)**. Un adaptateur temporaire, qui ressemble à celui représenté par les **FIGURE 2 (B) ET (C)**, peut être utilisé pour brancher cette fiche sur une prise murale bipolaire (tel que montré dans le **FIGURE 2 (B)** si une prise correctement mise à la terre peut être installée par un électricien qualifié. Les broches rigides de couleur verte qui dépassent de l'adaptateur doivent être reliées à une prise de terre permanente, comme celle d'une prise murale mise à la terre.

FIGURE 2



⚠ AVERTISSEMENT

IL Y A DES RISQUES DE BLESSURE SI L'OUTIL N'EST PAS UTILISÉ CORRECTEMENT.

- Garder les doigts et les vêtements amples loin de la lame rotative.
- Faire extrêmement attention lors de la coupe de carreaux. S'assurer de bien éloigner les mains et les doigts de l'encoche de fixation de la lame dans la table coulissante. Des risques d'abrasions, de coupures ou de pincement graves existent lorsque la table avance, particulièrement à la fin de son déplacement.
- Il y a des risques d'électrocution si le mode d'emploi n'est pas respecté

POUR VOTRE PROPRE SÉCURITÉ, LIRE CE MANUEL D'ENTRETIEN AVANT D'UTILISER LA SCIE.

- Porter des lunettes de sécurité.
- Utiliser l'écran anti-éclaboussures autant que possible.
- Débrancher la scie avant d'en effectuer l'entretien, de changer les disques de coupe ou de la nettoyer.
- Utiliser l'outil seulement avec des disques lisses sans fentes et encoches.
- Remplacer les disques endommagés avant d'utiliser l'appareil.
- Ne pas remplir le plateau d'eau au-dessus du niveau indiqué

RALLONGES ÉLECTRIQUES

⚠ AVERTISSEMENT

AFIN DE RÉDUIRE LES RISQUES D'ÉLECTROCUTION, GARDER TOUTES LES CONNEXIONS SÈCHES ET DÉGAGÉES DU SOL. NE PAS TOUCHER À LA FICHE LORSQUE LES MAINS SONT MOUILLÉES.

1. N'utiliser que des rallonges électriques conçues pour être utilisées à l'extérieur. Ces rallonges sont identifiées par une étiquette "Peut être utilisée avec des appareils de plein air. Ranger à l'intérieur lorsqu'elle n'est pas utilisée." N'utiliser que des rallonges qui possèdent un calibre électrique équivalent ou supérieur au calibre de l'appareil. Ne pas utiliser de rallonges endommagées. Examiner la rallonge avant de l'utiliser et la remplacer si elle est endommagée. Ne pas maltraiter les rallonges électriques et ne pas les tirer

brusquement pour les débrancher. Garder les rallonges loin de toute source de chaleur et d'arêtes vives. Toujours débrancher la rallonge de la prise de courant avant de débrancher l'appareil de la rallonge.

2. Un interrupteur de défaut à la terre doit être présent sur le(s) circuit(s) ou la(les) sortie(s) en vue d'être utilisé avec la scie à carreaux. Il existe des prises de courant munies d'un interrupteur de défaut à la terre intégré qui peuvent être utilisées pour cette mesure de sécurité.
3. **UTILISER UNE RALLONGE APPROPRIÉE.** S'assurer que la rallonge soit en bon état et qu'elle soit de calibre suffisant pour supporter le courant que votre appareil soutiendra. Une rallonge de calibre insuffisant causera une perte de tension et provoquera ainsi une panne électrique et une surchauffe. Le tableau ci-dessous indique les calibres à utiliser, selon la longueur de la rallonge, ainsi que la puissance nominale en ampères. En cas de doute, utiliser le calibre supérieur suivant. Plus le numéro de jauge est petit, plus le calibre est élevé.

TABLEAU 1

Ampérage		Rallonge - Longueur en Mètres				
		120 V 240 V	7.62 m 15.24 m	15.24 m 30.5 m	30.5 m 61 m	61 m 91.5 m
Plus de	Jusqu'à	AWG				
0 A	6 A		18	16	16	14
6 A	10 A		18	16	14	12
10 A	12 A		16	16	14	12
12 A	16 A		14	12	Non Recommandé	

NOTE: Lors de l'utilisation d'une rallonge, s'assurer que cette dernière ne soit pas d'un calibre inférieur à 12, qu'elle possède un ampérage nominale d'au moins 20 ampères et qu'elle soit équipée de prises à 3 broches. L'utilisation de toute rallonge de capacité inférieure peut provoquer une surchauffe ou l'usure prématurée du moteur. Il est recommandé de faire vérifier la tension du moteur de la scie par un électricien professionnel afin d'assurer la sécurité de l'utilisateur et du fonctionnement de l'outil.

GUIDE DE FONCTIONNEMENT SPÉCIFIQUE

1. Assurez-vous que la flèche directionnelle sur la lame corresponde à la direction rotative du moteur.
2. Lorsque la scie est hors tension, tournez la lame à la main pour lui permettre de tourner librement sans obstruction.
3. Gardez toujours l'arbre et les collets fixant la lame propres.
4. Assurez-vous que le boulon fixant la lame soit bien resserré avec une clef.
5. N'essayez jamais de couper à main levée. Assurez-vous toujours que le carreau à couper soit pressé fermement contre la butée.
6. Assurez-vous que la pièce à couper ait suffisamment d'espace pour bouger de côté. Dans le cas contraire la chute pourrait coller à la lame.
7. Ne coupez jamais plus d'un carreau à la fois.
8. Ne coupez jamais de pièces trop petites qui ne sont pas bien retenues en place contre la butée et prévoyez suffisamment d'espace pour que votre main soit à bonne distance de la lame.
9. Assurez-vous que la table et que l'espace environnant soient libres de tout sauf du carreau à couper.
10. Avant de couper le carreau, laissez la lame de scie fonctionner librement pendant quelques secondes. Si vous entendez un son inhabituel ou si elle vibre trop, arrêtez-la et débranchez la scie.
11. Laissez la lame arriver à sa pleine vitesse avant de commencer la coupe.
12. Laissez la lame s'arrêter complètement avant de retirer tout matériel coincé autour de la lame.
13. Ne laissez jamais la lame tourner à sec. Ne pas garder le plateau d'eau au niveau recommandé mènera à la surchauffe de la lame à tranchant au diamant.

INSTALLATION ET FONCTIONNEMENT

⚠ ATTENTION

Suivez bien toutes les instructions d'assemblage et d'installation avant de brancher la scie à carreaux à toute source de courant ou avant de la mettre en marche.

Ouvrez prudemment le carton et retirez toutes les composantes de la scie et le matériel d'emballage. Assurez-vous d'avoir vérifié chaque article avec la vue éclatée avant de jeter le contenant ou le matériel d'emballage. Elements inclus dans l'emballage:

- Réservoir d'eau
- Clef A
- Clef B
- Lame de coupe diamantée à bord continu 180 mm
- Couteau à déchirer
- Capot de lame
- Guide de parallélisme
- Guide de coupe en angle

Les pages suivantes illustrent la démarche détaillée d'installation des différents composants et le fonctionnement de la scie. Veuillez lire toutes les instructions avant d'utiliser la scie!

ATTACHER LE COUPE CARREAU SUR UN ÉTABLI:

1. Percez trois trous comme avec les dimensions indiquées sur la **FIGURE 3**.
2. Fixez la machine avec des boulons sur l'établi.

INSTALLATION DE LA LAME ET DU CAPOT DE PROTECTION DE LAME:

Utilisez uniquement des Lame de coupe diamantée à bord continu 180 mm ou des lames diamantées Turbo.

1. Débranchez la machine de la source de courant électrique.
2. Retirez le réservoir d'eau en dessous de la machine
3. Retirez le capot de lame inférieur en dévissant les vis de chaque coté du capot de lame inférieur **FIGURE 4**.
4. Utilisez les clefs A et B pour retirer l'écrou de mandrin de l'axe du moteur (voir **FIGURE 5**).
5. Retirez la bride extérieure **FIGURE 5** et la lame diamantée à remplacer de l'axe du moteur.
6. Installez la nouvelle lame diamantée et la bride extérieure sur l'axe du moteur. Note: Assurez vous que la flèche directionnelle imprimée sur la lame diamantée indique une direction inverse du sens des aiguilles d'une montre en regardant la machine du coté de l'écrou de mandrin.
7. Remplacez et serrez l'écrou de mandrin sur l'axe du moteur pour fixer en place la lame diamantée.
8. Réinstallez le capot de protection de lame inférieur.

REPLIR ET DRAINER LE PLATEAU D'EAU:

1. Remplissez le réservoir d'eau pour pouvoir refroidir la lame pendant son utilisation.
2. Retirez le réservoir pour pouvoir déverser l'eau.

FIGURE 3

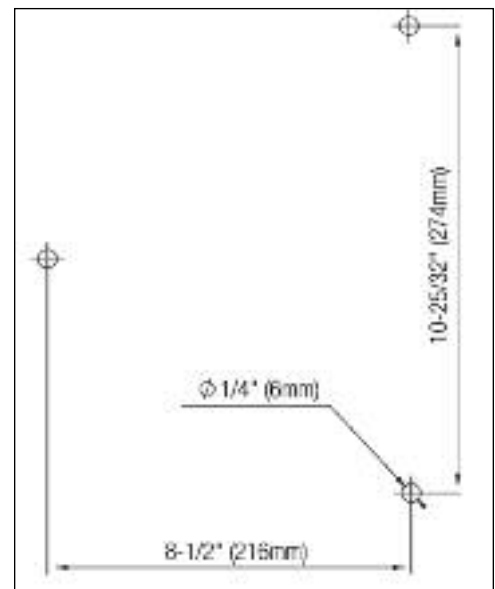


FIGURE 4



FIGURE 5



DÉMARRER ET ARRÊTER LE MOTEUR:

1. Branchez la scie à une source de courant électrique de voltage et fréquence correcte (120 V 60 Hz)
2. Pour mettre en marche, appuyez sur l'interrupteur pour le mettre en position "ON."
3. Pour arrêter la machine, appuyez sur l'interrupteur pour le mettre sur la position "OFF."

Attention! Pour votre propre sécurité, mettez toujours l'interrupteur en position "OFF" quand la scie n'est pas utilisée. Dans l'éventualité d'une coupure de courant, arrêt par fusible ou coupe circuit, mettez l'interrupteur en position "OFF." Cela permettra d'éviter que la scie se mette en marche un fois le courant est rétabli.

Attention! Utilisez cette machine uniquement une fois qu'elle a été complètement assemblée sur l'établi.

ÉTAPES POUR FAIRE UNE COUPE DROITE:

1. En utilisant un crayon de marquage, marquez la ligne de coupe sur le carreau.
2. Débloquez le guide de parallélisme **FIGURE 6** et glissez le jusqu'au bord de la table.
3. Alignez la ligne de coupe avec la lame de scie diamantée.
4. Ajustez le guide de parallélisme contre le bord du carreau et bloquez le guide de parallélisme en position.
5. Mettez la machine en marche en mettant l'interrupteur en position "ON." Laissez ensuite la scie atteindre sa vitesse de fonctionnement. Assurez-vous que la lame tourne sans entraves. La lame doit être mouillée par l'eau du réservoir avant de pouvoir l'utiliser.
6. En gardant les doigts en dehors du chemin de coupe, glissez doucement le carreau sous la lame en mouvement. Note: **NE PAS** glisser le carreau trop rapidement sous la lame.

FIGURE 6



FIGURE 7



ÉTAPES POUR FAIRE UNE COUPE EN DIAGONALE:

Les coupes en diagonale peuvent être pratiquées sur les carreaux rectangulaires en utilisant le guide de coupe en angle. La **FIGURE 7** montre une installation typique pour couper un coin de carreau rectangulaire.

ÉTAPES POUR FAIRE DES COUPES EN ANGLE OU À 45 DEGRÉS:

La table de travail peut se pivoter jusqu'à 45 degrés pour un découpage biseauté. Tournez la poignée sur la face frontale du système de coupe comme indiqué sur la **FIGURE 8**. Utilisez l'échelle de mesure sur la face frontale du système de coupe pour régler l'angle de coupe désiré. Resserrez ensuite la poignée pour bloquer la table.

FIGURE 8



CHANGER LA LAME:

⚠ AVERTISSEMENT

Coupez le courant avant tout ajustement, entretien, nettoyage ou remplacement de la lame!

1. Débranchez la machine de la source de courant électrique.
2. Retirez le réservoir d'eau en dessous de la machine.
3. Retirez le capot de lame inférieur en dévissant les vis de chaque côté du capot de lame inférieur **FIGURE 4**.
4. Utilisez les clefs A et B pour retirer l'écrou de mandrin de l'axe du moteur (voir **FIGURE 5**).
5. Retirez la bride extérieure **FIGURE 5** et la lame diamantée à remplacer de l'axe du moteur.
6. Installez la nouvelle lame diamantée et la bride extérieure sur l'axe du moteur. Note: Assurez vous que la flèche directionnelle imprimée sur la lame diamantée indique une direction inverse du sens des aiguilles d'une montre en regardant la machine du côté de l'écrou de mandrin.

7. Remplacez et serrez l'écrou de mandrin sur l'axe du moteur pour fixer en place la lame diamantée.
8. Réinstallez le capot de protection de lame inférieur.

RUBANS À TRANCHANT AU DIAMANT

1. Utilisez uniquement des Lame de coupe diamantée à bord continu 180 mm pour cette scie.
2. Cette scie est prévue pour des lames de coupe diamantée à bord continu pour utilisation sous eau avec un diamètre de mandrin de 15.88 mm.
3. Cette scie est prévue pour être utilisée uniquement avec des lames diamantées à bord continu. L'utilisation d'autres types de lames pourrait provoquer des accidents corporels graves et endommager la scie.

CE QU'IL FAUT FAIRE ET NE PAS FAIRE POUR LES LAMES DIAMANTÉES

CHOSSES À FAIRE

1. Examiner les disques quotidiennement pour s'assurer qu'ils n'aient pas de fissures ou qu'ils ne soient pas usés. Jeter les disques craquelés, ébréchés ou tordus!
2. Toujours respecter les recommandations du fabricant quant à l'utilisation du disque approprié au type de travail à accomplir.
3. S'assurer que l'arbre ne soit pas usé de façon inégale avant d'installer le disque.
4. Toujours utiliser des disques avec un mandrin de dimension adéquate sur un arbre de mandrin compatible.
5. S'assurer que le disque soit installé avec la flèche de rotation dans la bonne direction et qu'il soit bien serré au moyen d'une clé.
6. Toujours porter l'équipement de sécurité nécessaire lors de l'utilisation de la scie. Toujours porter des lunettes de sécurité et un masque anti-poussières lors du fonctionnement de la scie.
7. S'assurer périodiquement que le disque n'ait pas de fissures ou qu'il ne soit pas déformé.
8. Toujours s'assurer d'avoir un débit d'eau constant des deux côtés du disque avant de couper tout matériau.

CHOSSES À NE PAS FAIRE

1. Ne pas utiliser la scie sans que tous les dispositifs de protection ne soient en place.
2. Ne faites pas fonctionner la scie avec des lames plus larges ou plus petites que ce qui est recommandé.
3. Ne pas couper à sec avec des disques conçus pour les coupes à eau.
4. Ne pas excéder la vitesse recommandée par le fabricant du disque.
5. Ne pas forcer le matériel à couper. Laisser le disque couper à sa propre vitesse.
6. Ne pas couper des matériaux qui ne sont pas recommandés par le fabricant du disque.

ENTRETIEN DE LA SCIE

▲ AVERTISSEMENT

Avant d'effectuer l'entretien, des réparations ou le nettoyage, éteindre le moteur et débrancher la scie de sa source d'alimentation, sinon cela pourrait causer des blessures graves à l'utilisateur.

1. Il pourra s'avérer nécessaire de "centrer" la table de coupe de temps à autre. Le disque doit se trouver à un angle de 90° de "l'arrête du carreau" sur la table de coupe afin d'empêcher le disque de se coincer lors de la coupe.
 - a. Utiliser une équerre de menuisier et l'appuyer contre le disque et "l'arrête du carreau" à l'arrière de la table de coupe.
 - b. Si les deux ne sont pas à un angle de 90° l'un de l'autre, desserrer le boulon à tête hexagonale situé sur la glissière gauche et déplacer celle-ci jusqu'à ce que le disque et la table de coupe soient exactement perpendiculaires.
 - c. Serrer le boulon à oreilles qui se trouve sur la glissière.

2. Pour prolonger la durée de vie et obtenir un meilleur rendement, nettoyer la scie après chaque usage.
 3. Essuyer toutes les surfaces extérieures et garder la table propre et libre de copeaux de carreaux et de débris.
 4. Essuyer les deux barres de guidage et les rouleaux sur la table de coupe.
 5. Lubrifier légèrement les barres de guidage pour faciliter le déplacement du montage du guidage linéaire.
-

DÉPANNAGES

SURCHAUFFE DE LA SCIE:

- A. Arrêtez la scie linéaire et laissez-la reposer jusqu'à ce que le moteur soit frais au toucher.
- B. Vérifiez et nettoyez les fentes de ventilation en retirant tout blocage et toute poussière.

LA SCIE NE DÉMARRE PAS:

- A. Vérifiez que le cordon est bien branché.
 - B. Aucun courant à la prise.
 - C. L'interrupteur est endommagé.
-

ACCESSOIRES INCLUS AVEC LA SCIE

- Clef A
 - Clef B
 - Lame de coupe diamantée à bord continu 180 mm
 - Guide de coupe en angle
 - Guide de parallélisme
-

CARACTÉRISTIQUES DE POINTE DE CETTE SCIE

- Légère et portable
- Table de coupe ajustable permettant des coupes à 45 degrés de précision
- Moteur en prise directe, 0.6 CV, 3600 Tours/min
- Fusible pour protection thermique automatique, protège la scie d'une montée subite de puissance ou d'une surchauffe du moteur
- Scie Légère pour faciliter la mise en service et la maintenance

LISTE DES PIÈCES

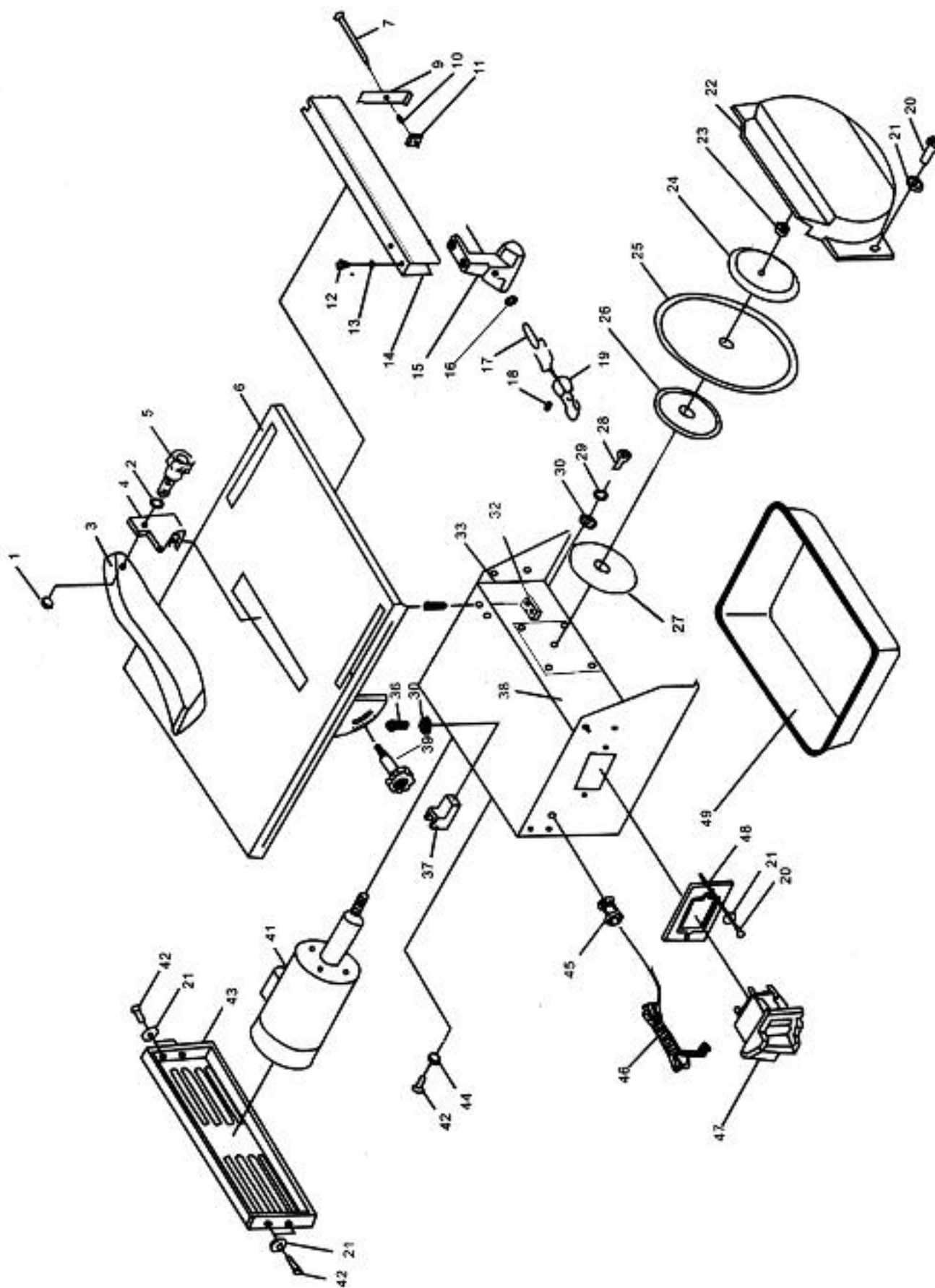
PART #	DESCRIPTION
60089-1-N	Ecrou
60089-2-N	Rondelle
60089-3-N	Capot de lame
60089-4-N	Couteau à déchirer
60089-5-N	Boulon
60089-6-N	Table
60089-7-N	Tige de fixation
60089-9-N	Plaque de fixation
60089-10-N	Ressort
60089-11-N	Entretoise carrée
60089-12-N	Vis à tête hexagonale
60089-13-N	Rondelle
60089-14-N	Barre d'appui
60089-15-N	Plaque de fixation supérieure
60089-16-N	Rondelle plate
60089-17-N	Boulon de raccordement
60089-18-N	Goupille fendue
60089-19-N	Levier de fixation
60089-20-N	Vis
60089-21-N	Rondelle
60089-22-N	Carter de lame inférieur

PART #	DESCRIPTION
60089-23-N	Ecrou
60089-24-N	Bride extérieur
60089-25-N	Lame
60089-26-N	Bride intérieur
60089-27-N	Plaque de lame inférieur
60089-28-N	Vis
60089-29-N	Rondelle de ressort
60089-30-N	Rondelle
60089-32-N	Ecrou
60089-33-N	Bâti
60089-36-N	Vis
60089-37-N	Crochet d'enroulement du cordon
60089-39-N	Poignée
60089-41-N	Moteur
60089-42-N	Vis
60089-44-N	Rondelle en étoile
60089-45-N	Bague anti-traction
60089-46-N	Câble et prise
60089-47-N	Interrupteur de sécurité
60089-48-N	Plaque
60089-49-N	Réservoir d'eau

SPÉCIFICATIONS

MOTEUR:	120V~60Hz
AMPÈRES:	3.8 A
RPM:	n₀ 3600 Tours/min
LAME:	180 mm
ARBRE:	16 mm
ÉPAISSEUR MAX de CARREAU à 90°:	34 mm
ÉPAISSEUR MAX de CARREAU à 45°:	20 mm
DIMENSIONS:	38.4 cm x 39.5 cm
POIDS NET:	28.6lbs/ 13Kg
COUPE LES CARREAUX de:	Illimité

PIÈCES ÉCLATÉES



INSTRUCCIONES GENERALES DE SEGURIDAD

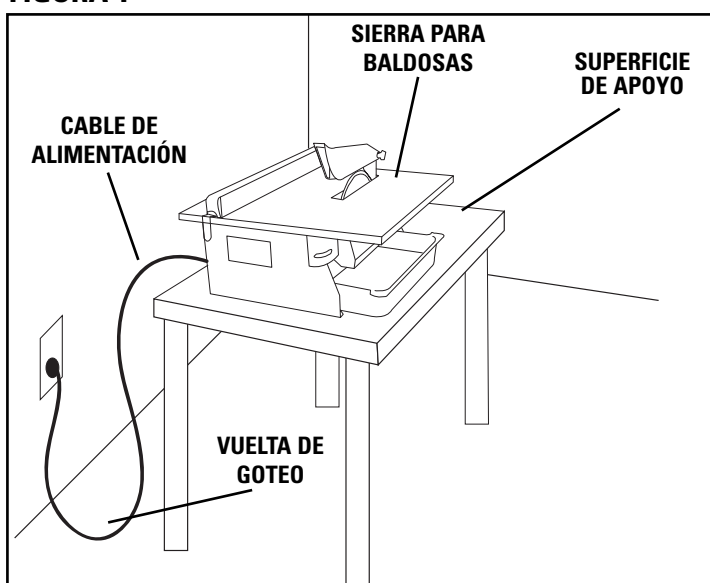
Lea este manual del usuario en su totalidad y asegúrese de entender todas las pautas de seguridad.

1. **MANTENGA LAS PROTECCIONES EN SU LUGAR** y con el orden apropiado para trabajar.
2. **REMUEVA LAS LLAVES DE AJUSTE & LAS LLAVES INGLESAS.** Antes de encender la sierra eléctrica para cortar losetas asegúrese que haya quitado las llaves inglesas y las llaves de tuercas de ajuste.
3. **MANTENGA LIMPIA SU ÁREA DE TRABAJO.** Los accidentes suelen ser más comunes en las áreas que estén desordenadas o por bancas en el área de trabajo.
4. **MANTÉNGASE ALERTA AL UTILIZAR LA SIERRA.** La falta de atención por parte del operador puede ocasionar accidentes graves.
5. **NO LA UTILICE EN AMBIENTES PELIGROSOS.** No utilice herramientas eléctricas en lugares húmedos o mojados, ni las esponja a la lluvia. Mantenga bien iluminada el área de trabajo.
6. **MANTENGA A LOS NIÑOS ALEJADOS.** Todos los visitantes deben mantenerse a una distancia considerable del área de trabajo.
7. **ARME SU LUGAR DE TRABAJO A PRUEBA DE NIÑOS,** utilizando candados, interruptores principales, o quitando las llaves de encendido.
8. **UTILICE LA HERRAMIENTA CORRECTA.** No intente utilizar herramientas o accesorios para realizar un trabajo, en el cual la herramienta no ha sido diseñada para esa función.
9. **UTILICE UN CABLE DE EXTENSIÓN ADECUADO.** Asegúrese de que el cable de extensión está en buenas condiciones. Cuando utilice un cable de extensión, asegúrese de que sea lo suficientemente pesado para transportar la corriente que requerirá el producto. Un cable de menor tamaño al requerido causará una caída en el voltaje de paso y dará como resultado la pérdida de energía y el recalentamiento. La tabla (ver la **TABLA 1**) muestra el tamaño correcto que debe usarse, teniendo en cuenta la longitud del cable y la clasificación de amperios de la placa de datos. Si tuviera dudas, utilice el siguiente indicador más pesado. Cuanto menor sea el número del indicador, más pesado será el cable.
10. **NO FUERCE LA HERRAMIENTA.** Ha sido diseñada para funcionar a niveles de máxima seguridad y rendimiento.
11. **NO FUERCE EL MATERIAL QUE DEBE CORTAR.** Siempre deje que la cuchilla corte a la velocidad para la que fue diseñada.
12. **UTILICE UNA VESTIMENTA ADECUADA.** No use ropa suelta, corbatas, anillos, pulseras, u otros artículos de joyería que pudieran quedar atrapados en las partes móviles. Se recomienda usar calzado antideslizante. Use una cubierta protectora para el cabello si lo tuviera largo.
13. **SIEMPRE USE GAFAS DE PROTECCIÓN.** También use máscaras protectoras para la cara y el polvo en el caso de operaciones de corte comercial. Las gafas comunes sólo tienen cristales resistentes a los impactos, pero **NO** son gafas de seguridad.
14. **SEGURIDAD AL TRABAJAR.** Utilice una tenaza en lugar de la mano para sostener el trabajo cuando sea necesario. Esta medida de seguridad le permite utilizar ambas manos para el funcionamiento adecuado de la herramienta.
15. **NO TRATE DE EXTENDERSE MÁS DE LO NECESARIO.** Mantenga su posición y el equilibrio en todo momento.
16. **MANTENGA LAS HERRAMIENTAS EN BUEN ESTADO.** Mantenga las herramientas limpias y en buen estado para trabajar para obtener un máximo rendimiento de seguridad. Siga las instrucciones para lubricar y cambiar los accesorios.
17. **DESCONECTE LAS HERRAMIENTAS ANTES DE HACERLE ALGÚN ARREGLO** - al cambiar accesorios, como cuchillas, puntas, elementos cortantes, etc.
18. **REDUZCA EL RIESGO DE UN ENCENDIDO INVOLUNTARIO.** Asegúrese de que la herramienta se encuentra en posición de APAGADO antes de enchufarla.
19. **UTILICE LOS ACCESORIOS RECOMENDADOS.** Consulte el manual del usuario para los accesorios recomendados. El uso de accesorios inadecuados puede ocasionar accidentes.
20. **NO REALICE CORTES EN SECO CON DISCOS DE DIAMANTE DISEÑADOS PARA REALIZAR CORTES CON AGUA.**
21. **ASEGÚRESE DE USAR LA CUCHILLA CORRECTA** para el trabajo que está realizando.
22. **NUNCA SE APOYE SOBRE LA HERRAMIENTA.** Puede tener un accidente grave si la herramienta se mueve o si se toma contacto involuntario con la parte cortante.

23. **REVISE LAS PARTES DAÑADAS.** Antes de volver a utilizar la herramienta debe revisar cuidadosamente la(s) parte(s) dañada(s), (por ejemplo la protección), para saber si funcionará en forma adecuada y cumplirá con su función. Revise la alineación de las partes móviles, la unión de las mismas, si se rompieron, superpusieron y cualquier otra condición que pueda afectar el funcionamiento de la sierra. Las protecciones u otras partes que estén dañadas deben repararse o reemplazarse adecuadamente.
24. **ASEGÚRESE DE QUE EXISTA UN FLUJO CONTINUO DE AGUA** en ambos lados del disco de diamante durante el funcionamiento.
25. **REVISE CUIDADOSAMENTE LOS DISCOS DE DIAMANTE EN CASO DE GRIETAS, RAJADURAS, QUE LA MATRIZ DE DIAMANTE FALTE O QUE ESTÉ DESALINEADO.** Reemplace las cuchillas dañadas inmediatamente. **NO USE DISCOS DAÑADOS.** Pueden causar accidentes graves.
26. **DIRECCIÓN DE LA ALIMENTACIÓN.** Solamente coloque el trabajo en la cuchilla en dirección contraria a la rotación de la cuchilla.
27. **NO ALTERE EL ENCHUFE O USE UN TOMACORRIENTE DE 2 PUNTAS.** Esta sierra está equipada con un enchufe eléctrico de 3 puntas.
28. **NUNCA DEJE LA HERRAMIENTA ENCENDIDA SIN PRESTARLE ATENCIÓN.** Apáguela. No deje la herramienta hasta que se haya detenido completamente.
29. **COLOCACIÓN DE LA SIERRA ELÉCTRICA PARA LOSETAS (Ver el FIGURA 1)**

- A. Para evitar que el tomacorriente o enchufe del accesorio se humedezcan, coloque la sierra eléctrica para losetas hacia un lado del tomacorriente que se encuentra en la pared, para que el agua no caiga sobre éste o el enchufe. El usuario debería realizar una "vuelta de goteo" en el cable que conecta la sierra al tomacorriente. La "vuelta de goteo" es la parte del cable por debajo del nivel del tomacorriente, o el conector si se utiliza un cable de extensión, que evita que el agua se deslice por el cable y entre en contacto con el tomacorriente.
- B. Si el enchufe o el tomacorriente se humedecieren, no desenchufe el cable. Desconecte el fusible o el interruptor automático que suministra electricidad a la herramienta. Luego desenchúfela y revise si hay agua en el tomacorriente.

FIGURA 1



30. **REVISE CUIDADOSAMENTE LOS DISCOS DE DIAMANTE** en caso de roturas, rajaduras, matriz de diamante faltante o alguna condición que le falte alineación. Reemplace las cuchillas inmediatamente. **NO USE CUCHILLAS DAÑADAS.** Pueden causar accidentes graves.

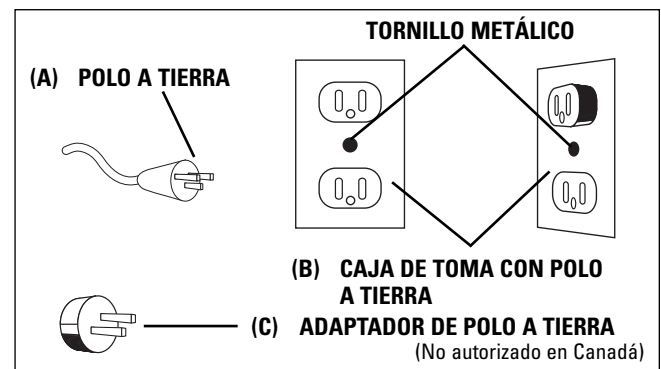
REQUERIMIENTOS ELÉCTRICOS

- **ESTA SIERRA ELÉCTRICA PARA LOSETAS DEBE TENER UNA CONEXIÓN POLO A TIERRA** mientras está en uso para evitar que el operador sufra una descarga eléctrica.
- **EN EL CASO DE MAL FUNCIONAMIENTO O FALLA ELÉCTRICA**, la conexión polo a tierra proporciona un suministro de menor resistencia de corriente eléctrica para reducir el riesgo de una descarga eléctrica. Esta herramienta está equipada con un cable eléctrico con un conductor con conexión polo a tierra y un enchufe con conexión polo a tierra. Conecte el enchufe eléctrico de 3 puntas a una toma de 3 polos debidamente instalado y con una conexión polo a tierra conforme a los códigos y regulaciones locales.
- **NO MODIFIQUE EL ENCHUFE SUMINISTRADO** si éste no se adapta la toma. Instale la toma adecuado con la ayuda de un electricista profesional.
- **LA CONEXIÓN INADECUADA DEL CONDUCTOR CON LA CONEXIÓN POLO A TIERRA DEL EQUIPO PUEDE OCASIONAR UNA DESCARGA ELÉCTRICA.** El conductor con aislamiento que posee una superficie externa verde (con o sin franjas amarillas) es el conductor de conexión polo a tierra del equipo. Si fuera necesario reparar o reemplazar el cable eléctrico o enchufe no conecte el conductor de conexión polo a tierra del equipo a una terminal activa.

- **CONSULTE A UN ELECTRICISTA PROFESIONAL** si no entendiera completamente las instrucciones para la conexión polo a tierra; o si tuviera dudas acerca de si la herramienta está conectada correctamente polo a tierra.
- **UTILICE SOLAMENTE CABLES DE EXTENSIÓN DE 3 CONDUCTORES** que poseen enchufes de conexión polo a tierra de 3 puntas y tomacorrientes de 3 polos que aceptan el enchufe de la sierra eléctrica para cortar losetas.
- **REPARE O REEMPLACE INMEDIATAMENTE EL CABLE GASTADO O DAÑADO.**
- **SI EL ENCHUFE O TOMACORRIENTE SE HUMEDECIERAN, NO DESENCHUFE EL CABLE.** Desconecte el fusible o el interruptor automático que suministra electricidad a la herramienta. Luego desenchúfela y revise si hay agua en el tomacorriente.
- **CON ESTE PRODUCTO SÓLO PUEDEN USARSE CABLES DE EXTENSIÓN CALIFICADOS POR UL.**
- **EL USO INADECUADO DE CABLES DE EXTENSIÓN PUEDE PRODUCIR UN FUNCIONAMIENTO DEFICIENTE DE LA HERRAMIENTA,** que puede dar como resultado el recalentamiento. Asegúrese de que el cable de extensión tenga la potencia adecuada para suministrar una corriente eléctrica suficiente al motor. Para calibrar su herramienta en forma adecuada consulte el siguiente cuadro (TABLA 1).
- **NO TOQUE CON LOS DEDOS** las terminales del enchufe al conectar o desconectar el enchufe del toma.
- **ESTA SIERRA ELÉCTRICA PARA CORTAR LOSETAS DEBE SER INSTALADA APROPIADAMENTE POLO A TIERRA.** Si no lo estuviera aumentaría enormemente el riesgo de descargas eléctricas y accidentes, particularmente si se utilizara en lugares húmedos o cercanos a cañerías.

NOTA: Esta herramienta está diseñada para ser usada en un circuito que tiene un toma igual al que aparece en la FIGURA 2 (A). La herramienta tiene un enchufe de conexión a tierra igual al enchufe que aparece en la FIGURA 2 (A). Puede utilizarse un adaptador temporal igual al que aparece en la FIGURA 2 (B) y (C), para conectar este enchufe a un tomacorriente de 2 polos según se muestra en la FIGURA 2 (B), si un electricista calificado puede instalar en forma apropiada una toma adecuado con conexión polo a tierra. Las puntas rígidas de color verde que se extienden desde el adaptador deben conectarse a una conexión a tierra permanente como una caja de salida adecuada con conexión a tierra.

FIGURA 2



⚠ ADVERTENCIA

EL USO INADECUADO PUEDE OCASIONAR GRAVES ACCIDENTES.

- Mantenga los dedos y la ropa que esté suelta alejados del disco de diamante giratorio.
- Sea sumamente cuidadoso al cortar losetas. Asegúrese de que las manos y los dedos estén alejados de la ranura de la cuchilla en la mesa corrediza. Puede rasparse, cortarse o apretarse los dedos gravemente mientras la mesa está en movimiento, generalmente al finalizar su trayectoria.
- Si no se siguen las instrucciones de funcionamiento puede producirse una descarga eléctrica.

PARA SU SEGURIDAD LEA EL MANUAL DE INSTRUCCIONES ANTES DE PONER EN FUNCIONAMIENTO LA SIERRA.

- Use protección para los ojos.
- Use una máscara protectora siempre que sea necesario.
- Desconecte la sierra antes de hacerle alguna reparación, cuando le cambie los discos de diamante, y antes de limpiarla.
- Use la herramienta sólo con discos de diamantes que tengan los de bordes libres de aberturas y ranuras.
- Reemplace el disco de diamante que esté dañado antes de poner la sierra en funcionamiento.
- No llene la bandeja de agua por encima de la línea marcada para llenarlo.

CABLES DE EXTENSIÓN (ALARGADORES)

1. Utilice solamente los cables de extensión destinados para uso en áreas exteriores. Puede identificarlos con la leyenda "Pueden usarse con dispositivos para exteriores: guardar en el interior cuando no se use." Utilice solamente los cables de extensión que tengan una clasificación eléctrica no menor a la clasificación del producto. No utilice el cable de extensión si está dañado, reemplácelo. Examine el cable de extensión antes de usarlo y suspenda el uso si está dañado. No maltrate el cable de extensión y no lo desconecte de un tirón. Mantenga el cable alejado del calor y los bordes filosos. Siempre desconecte el cable de extensión del tomacorriente antes de desconectar el producto del cable de extensión.
2. **ADVERTENCIA:** Para reducir el riesgo de electrocución, mantenga todas las conexiones secas y lejos del suelo. No toque el enchufe con las manos mojadas.
3. El/los circuito/s o toma/s que se usarán con la sierra para losetas/azulejos deben contener un Interruptor de Circuito Polo a Tierra (GFCI) como protección. Se pueden obtener tomacorrientes con protección GFCI incorporada para usarse de acuerdo con esta medida de seguridad.
4. **UTILICE UN CABLE DE EXTENSIÓN ADECUADO.** Asegúrese de que el cable de extensión esté en buenas condiciones. Cuando utilice un cable de extensión, asegúrese de que sea lo suficientemente pesado para transportar la corriente que requiera el producto. Un cable de tamaño reducido causará una caída en el voltaje de paso, y dará como resultado la pérdida de energía y el recalentamiento. La tabla que aparece a continuación muestra el tamaño correcto que debe usarse, teniendo en cuenta la longitud del cable y la clasificación de amperios en la placa de datos. Si tuviera dudas, utilice el siguiente indicador más pesado. Cuanto menor sea el número del indicador, más pesado será el cable.

TABLA 1

Régimen de Amperios		Longitud total del cable en pies				
		Voltios	8.7 m	15.24 m	30.48 m	60.96 m
		120 V	8.7 m	15.24 m	30.48 m	60.96 m
		240 V	15.24 m	30.48 m	60.96 m	91.44 m
Más de	No más de	Calibre Estándar Americano (AWG)				
0	6		18	16	16	14
6	10		18	16	14	12
10	12		16	16	14	12
12	16		14	12	No recomendado	

NOTA: Cuando utilice un cable de extensión, asegúrese de que todos los cables no tengan un calibre menor al # 12, con una potencia de 20-amperios como mínimo, y estén equipados con enchufes de 3 puntas. El uso de cualquier cable menor puede ocasionar el recalentamiento o que se queme el motor. Se recomienda que un electricista revise el voltaje en el motor de la sierra para asegurarse de que tiene el voltaje adecuado para que la sierra funcione de manera eficaz y segura.

GUÍA ESPECÍFICA DE USO

1. Asegúrese de que la flecha direccional marcada en el disco de diamante corresponda con la dirección de rotación del motor.
2. Con la sierra desconectada de la fuente de energía, gire el disco de diamante manualmente para asegurarse de que esté libre de obstrucciones.
3. Siempre mantenga limpios el mandril de sujeción del disco de diamante y los collares.
4. Asegúrese de que el perno de sujeción del disco de diamante esté bien ajustado.
5. Nunca intente cortar a mano alzada. Siempre asegúrese de que la loseta que va a cortar esté firmemente presionada contra el tope-guía para cortar al hilo.
6. Asegúrese de que la pieza de trabajo que se cortará tenga suficiente espacio para moverse hacia los costados. De no ser así, la pieza cortada podrá quedarse trabada en el disco.
7. Nunca corte más de una loseta por vez.
8. Nunca corte piezas demasiado pequeñas que no queden bien aseguradas contra el tope de la guía al cortar, y deje suficiente espacio para que la mano esté a una distancia segura del disco.
9. Asegúrese de que la mesa y el área circundante estén libres, a excepción de la loseta a cortar.
10. Antes de cortar una pieza de loseta, deje que la sierra funcione libremente durante unos segundos. Si hace un sonido extraño o vibra excesivamente, apáguela inmediatamente y desconéctela de la fuente de energía.

11. Deje que el disco de diamante adquiera la máxima velocidad antes de comenzar a cortar.
12. Deje que el disco se detenga completamente antes de quitar cualquier material atascado de alrededor del área del disco.
13. Nunca deje que el disco funcione en seco. No mantener la bandeja para agua en el nivel recomendado puede causar el sobrecalentamiento del disco de diamante.

INSTALACIÓN Y FUNCIONAMIENTO

⚠ ATENCIÓN

Siga completamente todas las instrucciones de montaje e instalación antes de conectar la sierra a una fuente de alimentación o de encender el motor.

Abra la caja con cuidado y retire todos los componentes de la sierra y materiales de embalaje. Asegúrese de haber verificado que ha sacado cada elemento antes de descartar el contenedor o los materiales de embalaje. La caja contiene:

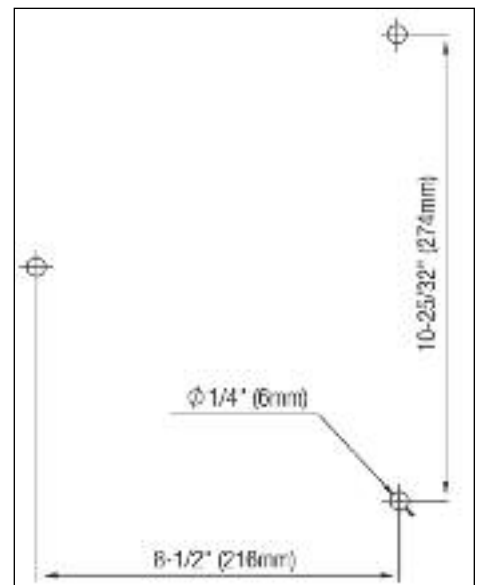
- Tanque del Agua
- Protector del Disco
- Llave A
- Soporte del Protector del Disco
- Llave B
- Guía Paralela
- Disco de Diamante de Banda Continua de 180 mm
- Calibrador de Ángulos

En las siguientes páginas se ilustra paso a paso la instalación de diversos componentes y el funcionamiento de la sierra. ¡Lea detalladamente las instrucciones antes de usar esta sierra!

SUJETANDO EL CORTADOR DE LOSETAS AL BANCO DE TABAJO:

1. Taladre tres orificios en el banco de trabajo con las mismas dimensiones en la **FIGURA 3**.
2. Ajuste la maquina con los pernos al banco de trabajo.

FIGURA 3



INSTALACIÓN DEL DISCO DE DIAMANTE Y LA PROTECCIÓN DE SEGURIDAD PARA EL DISCO:

Solamente Utilice Discos de Diamante de Banda Continua de 180 mm.

1. Desconecte la maquina de la electricidad.
2. Remueva el tanque de agua que está debajo de la maquina.
3. Remueva el protector del disco inferior, removiendo los tres tornillos que están a cada lado del protector del disco inferior **FIGURA 4**.
4. Utilice la Llave A y la Llave B para desajustar y remover la tuerca del eje del motor como lo muestra la **FIGURA 5**.
5. Deslice la pestaña externa **FIGURA 5** y el Disco de Diamante hacia afuera del eje del motor.
6. Deslice el Disco de Diamante nuevo y la pestaña exterior en el eje del motor. Nota: Asegúrese que la flecha que indica la dirección impresa en el disco esté mirando en contra reloj, cuando está observándola la maquina desde la tuerca del eje.
7. Inserte y ajuste el perno del eje en el eje del motor para asegurar el disco de diamante.
8. Reinstale el protector del disco inferior.

FIGURA 4



FIGURA 5



LLENADO Y DESAGUADO DE LA BANDEJA DE AGUA:

1. Llene la bandeja con agua fresca durante el tiempo que esté utilizando la sierra.
2. Remueva la bandeja y chorree el agua.

ARRANQUE Y PARADA DEL MOTOR:

Esta maquina tiene un interruptor magnético para una operación más segura.

1. Conecte la unidad eléctrica al nivel de voltaje y frecuencia correspondientes (120 Voltios, 60 Hertzios).
2. Para encender la maquina, presione el interruptor hacia donde dice "ON."
3. Para pagar la maquina, presione el interruptor hacia donde dice "OFF."

⚠ ADVERTENCIA

Para su propia seguridad, siempre mantenga el interruptor en "OFF" mientras no esté utilizando la sierra. En el caso que la electricidad falle, asegúrese de colocar el interruptor en "OFF" para que cuando la electricidad regrese la maquina no se encienda de nuevo.

⚠ ADVERTENCIA

Solamente utilice esta maquina después de haberla ensamblado completamente y después que halla sido atornillada en el banco de trabajo

PASOS PARA HACER UN CORTE LINEAL:

1. Utilizando un lápiz para marcar, trace una línea sobre la loseta que desea cortar.
2. Desatornille la guía paralela **FIGURA 6** y deslícela hacia el borde de la mesa.
3. Alinee la línea marcada con el disco de diamante.
4. Ajuste la guía paralela con el borde de la loseta y bloquee la guía paralela en la posición deseada.
5. Encienda la maquina presionando el interruptor hacia "ON", y después permítale que consiga su máxima velocidad. Asegúrese que el disco gire suavemente. El disco debe estar humedecido por el tanque de agua antes de hacer un corte.
6. Mantenga los dedos fuera del tramo de corte, deslice suavemente la loseta hacia el disco que se encuentra girando. Nota: No deslice la loseta hacia el disco demasiado rápido.

PASOS PARA HACER UN CORTE DIAGONAL:

Puede hacer cortes en diagonal a losetas rectangulares utilizando el calibrador de ángulos incluido. La **FIGURA 7** muestra como hacer el corte de un borde a una loseta cuadrada.

PASOS PARA HACER CORTES EN ÁNGULO O A 45 GRADOS:

La mesa de trabajo puede inclinarse hasta 45° para hacer cortes en ángulo. Afloje el perno que está enfrente de la sierra como lo muestra la **FIGURA 8**. Utilice la escala que se encuentra al frente de la sierra para ajustar la mesa en la inclinación deseada. Reajuste el perno para asegurar la mesa.

FIGURA 6



FIGURA 7



FIGURA 8



CAMBIO DEL DISCO:

⚠ ADVERTENCIA

Desconecte la fuente de energía antes de hacer ajustes, realizar el mantenimiento, limpiar o reemplazar el disco!

1. Desconecte la maquina de la electricidad.
2. Remueva el tanque de agua que está debajo de la maquina.
3. Remueva el protector del disco inferior, removiendo los tres tornillos que están a cada lado del protector del disco inferior **FIGURA 4**.
4. Utilice la Llave A y la Llave B para desajustar y remover la tuerca del eje del motor como lo muestra la **FIGURA 5**.
5. Deslice la pestaña externa **FIGURA 5** y el Disco de Diamante hacia afuera del eje del motor.
6. Deslice el Disco de Diamante nuevo y la pestaña exterior en el eje del motor. Nota: Asegúrese que la flecha que indica la dirección impresa en el disco esté mirando en contra reloj, cuando está observándola la maquina desde la tuerca del eje.
7. Inserte y ajuste el perno del eje en el eje del motor para asegurar el disco de diamante.
8. Reinstale el protector del disco inferior.

DISCOS DE DIAMANTE

1. Solamente utilice un Disco de Banda Continua de 180 mm en esta sierra.
2. Esta sierra utiliza un Disco de Diamante con un eje de 15.88 mm de diámetro.
3. Con esta sierra solamente debe utilizarse un Disco de Diamante de Banda Continua. De no ser así, puede hacerse daño usted mismo en el cuerpo o dañar la sierra.

QUÉ HACER Y QUÉ NO HACER CON EL DISCO DE DIAMANTE

QUE SE DEBE HACER

1. Revisar los discos de diamante diariamente en caso de roturas o desgaste desparejo. ¡No utilizar discos de diamante rotos, astilladas o dobladas!
2. Seguir siempre las recomendaciones del fabricante para utilizar la cuchilla adecuada para el material que se desea cortar.
3. Revisar el eje en caso de desgaste desparejo antes de colocar el disco de diamante.
4. Usar siempre discos de diamante con el tamaño de eje adecuado en un eje compatible.
5. Asegurarse de que se colocó el disco de diamante con la flecha de rotación en la dirección correcta y que está sujeto firmemente con la llave de tuerca.
6. Usar siempre el equipo de seguridad adecuado al operar la sierra. Usar gafas protectoras y máscara para el polvo en todo momento.
7. Revisar periódicamente la cuchilla en caso de roturas o fatiga del material.
8. Asegurarse siempre de que el flujo de agua sea constante a ambos lados de la cuchilla antes de cortar cualquier material.

LO QUE NO SE DEBE HACER

1. No opere la sierra sin colocar todos los elementos de seguridad en posición.
2. No use la sierra con discos de diamante más grandes o más pequeños que los recomendados.
3. No haga cortes en seco con cuchillas marcadas para "Usar con Agua."

4. No exceda del máximo de RPM recomendadas por el fabricante de la cuchilla.
5. No fuerce el material dentro de la cuchilla. Dejar que la cuchilla corte a su propia velocidad.
6. No corte materiales distintos a los recomendados por el fabricante de la cuchilla.

MANTENIMIENTO DE LA SIERRA

⚠ ADVERTENCIA

No repare, limpie o dé mantenimiento a la sierra sin desconectarla primero el motor y desenchufar la sierra de la fuente de energía. Si esto no se hiciera el operador podría resultar gravemente herido.

1. En ocasiones puede ser necesario alinear la Mesa de Corte. La cuchilla de la sierra debe estar a 90° del "Punto de Detención de la Baldosa" en la mesa de corte para evitar que la cuchilla se "trabe" al cortar losetas.
 - a. Use una escuadra de carpintero, y sosténgala contra la cuchilla y contra el "Punto de Detención de la Baldosa", en la parte posterior de la mesa de corte.
 - b. Si no están en escuadra (90°), afloje la tuerca mariposa en el riel de guía izquierdo y mueva el riel de guía hasta que la cuchilla y la mesa de corte estén exactamente en escuadra.
 - c. Apriete firmemente la tuerca mariposa en el riel de guía.
2. Para mayor duración y un mejor rendimiento limpie la sierra cada vez que la use.
3. Limpie todas las superficies externas y mantenga la mesa de corte limpia y libre de escallas y escombros.
4. Limpie tanto las barras de guía como los rodillos de la mesa de corte.
5. Coloque aceite liviano para máquinas en la barra de guía para facilitar el suave deslizamiento del montaje de la guía lineal.

LOCALIZACIÓN DE AVERÍAS

SOBRECALENTAMIENTO DE LA SIERRA:

- A. Apague la sierra eléctrica tipo puente y déjela en reposo hasta que el motor esté frío al tacto.
- B. Verifique y limpie las ranuras de ventilación, quite cualquier obstrucción y suciedad.

LA SIERRA NO ARRANCA:

- A. Verifique que el cable de alimentación esté enchufado correctamente.
- B. No hay energía en la toma de corriente.
- C. El interruptor está dañado.

ACCESORIOS INCLUIDOS CON LA SIERRA

- Llave A
- Llave B
- Disco de Diamante de Banda Continua de 180 mm
- Calibrador de Ángulos
- Guía Paralela

CARACTERÍSTICAS DE AVANZADA DE ESTA SIERRA

- Liviana y Portátil
- Mesa de corte ajustable, que permite cortes con precisión a 45°
- Motor de mando directo de 3/5 HP (caballos de fuerza) , 3,600 RPM (velocidad)
- Protección automática de la sobrecarga térmica, protege la sierra en caso de una sobrecarga eléctrica y de recalentamiento del motor
- Al ser liviana, le permite instalarla y mantenerla fácilmente

LISTA DE PIEZAS

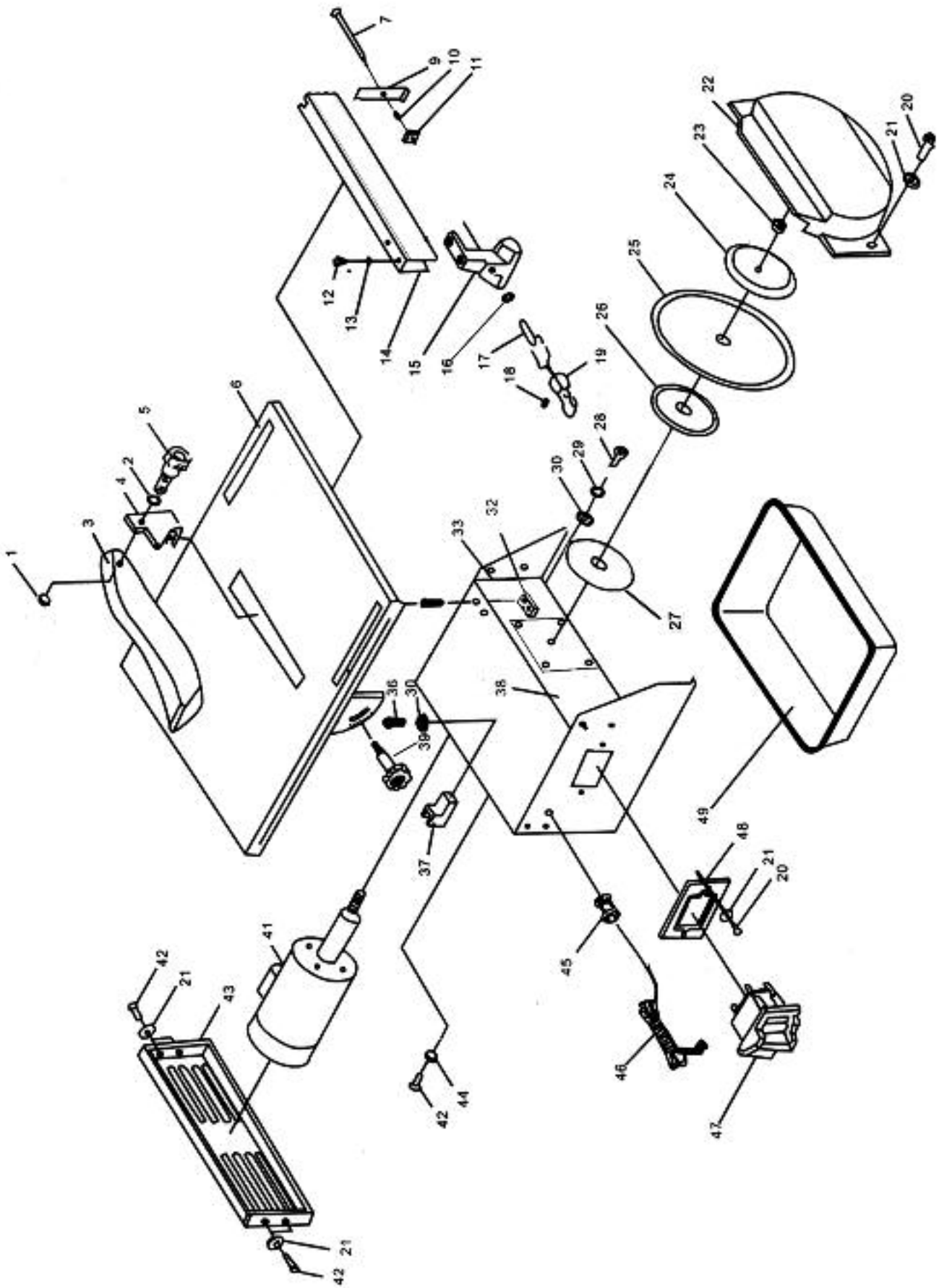
PART #	DESCRIPCIÓN
60089-1-N	Tuerca
60089-2-N	Arandela
60089-3-N	Protector del disco de corte
60089-4-N	Cuchillo divisor
60089-5-N	Perno
60089-6-N	Mesa
60089-7-N	Abrazadera
60089-9-N	Abrazadera de apriete
60089-10-N	Resorte
60089-11-N	Espaciador cuadrado
60089-12-N	Tornillo hexagonal
60089-13-N	Arandela
60089-14-N	Rejilla
60089-15-N	Abrazadera fija
60089-16-N	Arandela plana
60089-17-N	Perno de conexión
60089-18-N	Cupilla
60089-19-N	Nivelador de la abrazadera
60089-20-N	Tornillo
60089-21-N	Arandela
60089-22-N	Protector inferior del disco de corte

PART #	DESCRIPCIÓN
60089-23-N	Tuerca
60089-24-N	Pestaña exterior
60089-25-N	Disco de corte
60089-26-N	Pestaña interior
60089-27-N	Placa inferior para el disco de corte
60089-28-N	Tornillo
60089-29-N	Arandela para resorte
60089-30-N	Arandela
60089-32-N	Tuerca
60089-33-N	Marco
60089-36-N	Tornillo
60089-37-N	Almacenamiento para el cable
60089-39-N	Perilla
60089-41-N	Motor
60089-42-N	Tornillo
60089-44-N	Arandela estrella
60089-45-N	Protector contra tirones
60089-46-N	Cable y enchufe
60089-47-N	Interruptor con llave de seguridad
60089-48-N	Placa
60089-49-N	Tanque del agua

ESPECIFICACIONES

MOTOR:	120 Voltaje ~60 Hertzios
AMPS:	3.8
RPM:	n_0 3600
DISCO:	180 mm
MANDRIL de SUJECIÓN:	15.88 mm
ESPELOR MÀXIMO de LOSETA a 90°:	34 mm
ESPELOR MÀXIMO de LOSETA a 45°:	20 mm
DIMENSIONES:	384 mm x 395 mm
PESO NETO:	13 kilos
CORTA LOSETAS:	Ilimitado

DESPIEZADO



Made in China
Fabriqué en Chine
Hecho en China
Boca Raton, FL 33487
www.qep.com
H0510-5005

Free Manuals Download Website

<http://myh66.com>

<http://usermanuals.us>

<http://www.somanuals.com>

<http://www.4manuals.cc>

<http://www.manual-lib.com>

<http://www.404manual.com>

<http://www.luxmanual.com>

<http://aubethermostatmanual.com>

Golf course search by state

<http://golfingnear.com>

Email search by domain

<http://emailbydomain.com>

Auto manuals search

<http://auto.somanuals.com>

TV manuals search

<http://tv.somanuals.com>