

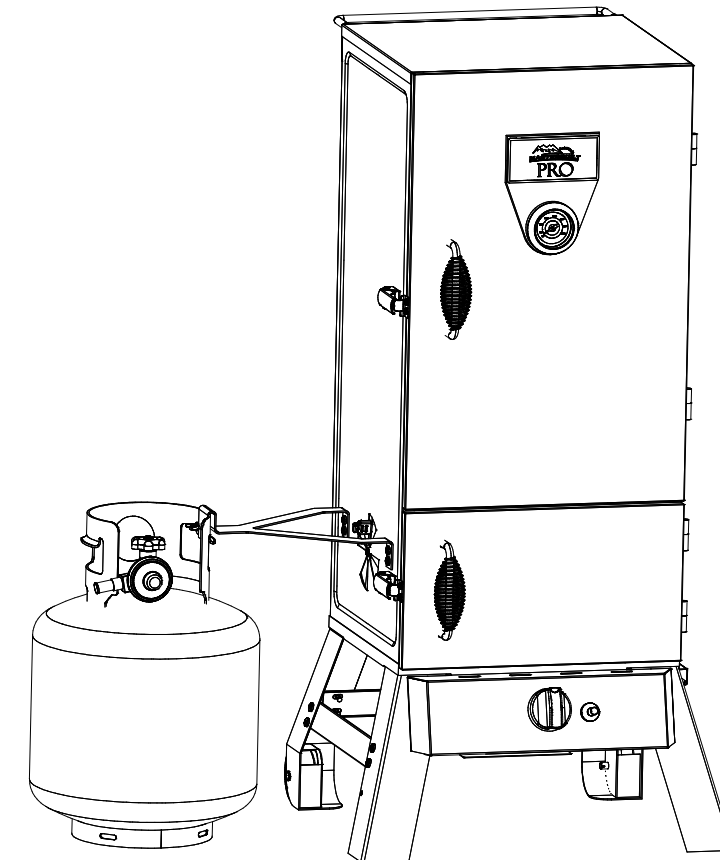


**ASSEMBLY, CARE & USE MANUAL
WARNING & SAFETY INFORMATION
DUAL FUEL SMOKER MODEL 20050412
THIS PRODUCT IS FOR OUTDOOR USE ONLY**







Masterbuilt Manufacturing, Inc.
1 Masterbuilt Ct.
Columbus, GA 31907
Customer Service 1-800-489-1581
www.masterbuilt.com

Manual Code: 9805100023 081611-04SS



Tools needed for assembly: Adjustable Wrench, Phillips Head Screwdriver

 CARBON MONOXIDE HAZARD 	 WARNING 
<p>Burning charcoal and wood chips gives off carbon monoxide, which has no odor and can cause death.</p> <p>DO NOT burn charcoal or wood chips inside homes, vehicles, tents, garages or any enclosed areas.</p> <p>Use only outdoors where it is well ventilated.</p>	<p>This manual contains important information necessary for the proper assembly and safe use of the appliance.</p> <p>Read and follow all warnings and instructions before assembling and using the appliance.</p> <p>Follow all warnings and instructions when using the appliance.</p> <p>Keep this manual for future reference.</p>
<p>Failure to follow these warnings and instructions properly could result in fire or explosion, which could cause property damage, personal injury, or death.</p>	

! DANGER !	! DANGER !
<p>If you smell gas:</p> <ol style="list-style-type: none"> 1. Shut off gas to the appliance. 2. Extinguish any open flame. 3. Open/remove door. 4. If odor continues, keep away from the appliance and immediately call your Fire Department. 	<ol style="list-style-type: none"> 1. Never operate this appliance unattended. 2. Never operate this appliance within 10 feet (3m) of any structure, combustible material or other gas cylinder. 3. Never operate this appliance within 25 feet (7.5m) of flammable liquids. 4. If fire should occur keep away from appliance and immediately call your fire department. Do not attempt to extinguish an oil/grease fire with water.
FAILURE TO FOLLOW THESE INSTRUCTIONS COULD RESULT IN FIRE, EXPLOSION OR BURN HAZARD, WHICH COULD CAUSE PROPERTY DAMAGE, PERSONAL INJURY OR DEATH.	

! WARNING !
THIS PRODUCT CONTAINS LEAD, A CHEMICAL KNOWN TO THE STATE OF CALIFORNIA TO CAUSE BIRTH DEFECTS OR OTHER REPRODUCTIVE HARM. WASH YOUR HANDS AFTER HANDLING THIS PRODUCT.

! GENERAL WARNINGS AND SAFETY INFORMATION !
<ul style="list-style-type: none"> • Unit is for outdoor use only. • Never use inside enclosed areas such as patios, garages, buildings or tents. • Never use inside recreational vehicles or on boats. • Never operate unit under overhead construction such as roof coverings, carports, awnings, or overhangs. • Never use unit as a heater. • Maintain a minimum distance of 10ft (3m) from overhead construction, walls, rails or other structures. • Keep a minimum 10ft (3m) clearance of all combustible materials such as wood, dry plants, grass, brush, paper, or canvas. • Keep appliance clear and free from combustible materials such as gasoline and other flammable vapors and liquids. • Use unit on a level, non-combustible, stable surface such as dirt, concrete, brick or rock. • Keep children and pets away from unit at all times. Do NOT allow children to use unit. • Unit has an open flame. Keep hands, hair, and face away from burner flame. Do NOT lean over burner when lighting. Loose hair and clothing may catch fire. • Allow unit to cool below 115°F (46°C) before moving or storing. • Avoid bumping or impacting unit. • This unit is HOT while in use and during cooling process. Wear protective gloves/mitts. • Use of alcohol, prescription or non-prescription drugs may impair user's ability to properly assemble or safely operate unit. • Never use glass, plastic or ceramic cookware in unit. • Do NOT allow anyone to conduct activities around unit during or following its use until it has cooled. • Accessory attachments not supplied by Masterbuilt Manufacturing, Inc. are not recommended. • Never use unit for anything other than its intended use. This unit is NOT for commercial use. • Use in accordance with local, state and federal fire codes.

LIMITED WARRANTY

Masterbuilt warrants its products to be free from defects in material and workmanship under proper assembly, normal use and recommended care for 90 days from the date of original retail purchase. Masterbuilt warranty does not cover paint finish as it may burn off during normal use. Masterbuilt warranty does not cover rust of the unit. Masterbuilt requires reasonable proof of purchase for warranty claims and suggests that you keep your receipt. Upon the expiration of such warranty, all such liability shall terminate. Within the stated warranty period, Masterbuilt, at its discretion, shall repair or replace defective components free of charge with owner being responsible for shipping. Should Masterbuilt require return of component(s) in question for inspection Masterbuilt will be responsible for shipping charges to return requested item. This warranty excludes property damage sustained due to misuse, abuse, accident, damage arising out of transportation, or damage incurred by commercial use of this product.

This expressed warranty is the sole warranty given by Masterbuilt and is in lieu of all other warranties, expressed or implied including implied warranty, merchantability, or fitness for a particular purpose. Neither Masterbuilt nor the retail establishment selling this product, has authority to make any warranties or to promise remedies in addition to or inconsistent with those stated above. Masterbuilt's maximum liability, in any event, shall not exceed the purchase price of the product paid by the original consumer/ purchaser. Some states do not allow the exclusion or limitation of incidental or consequential damages. In such a case, the above limitations or exclusions may not be applicable.

California residents only: Notwithstanding this limitation of warranty, the following specific restrictions apply; if service, repair, or replacement of the product is not commercially practical, the retailer selling the product or Masterbuilt will refund the purchase price paid for the product, less the amount directly attributable to use by the original buyer prior to the discovery of the nonconformity. Owner may take the product to the retail establishment selling this product in order to obtain performance under warranty. This expressed warranty gives you specific legal rights, and you may also have other rights which vary from state to state.

}

Go Online www.masterbuilt.com
or complete and return to
Attn: Warranty Registration
Masterbuilt Mfg. Inc.
1 Masterbuilt Court - Columbus, GA 31907

Name: _____ Address : _____ City: _____

State/Province: _____ Postal Code: _____ Phone Number: (____) - _____

E-mail Address: _____

*Model Number: _____ *Serial Number: _____

Purchase Date: ____ - ____ - ____ Place of Purchase: _____

*Model Number and Serial Number are located on silver label on back of unit.

SMOKING CHART

ITEM	SIZE	TEMP	CHARCOAL	WATER	WOOD CHIPS	COOK TIME	INTERNAL TEMP
BEEF							
Pot Roast (arm, top, chuck, blade)	4 - 5 lbs (1.8-2.3kgs)	200°F (93°C)	7 - 8 lbs (3.2-3.6kgs)	3 - 4 qts (2.8-3.8l)	2 - 3 cups (0.56-0.83l)	3 - 4 hrs	140°F (60°C) Rare 160°F (71°C) Med 170°F (77°C) Well
Brisket	3 - 4 lbs (1.4-1.8kgs)	200°F (93°C)	7 - 8 lbs (3.2-3.6kgs)	4 qts (3.8l)	3 cups (0.83l)	3 - 4.5 hrs	170°F (77°C) Well Done
PORK							
Loin Roast (bone in)	3 - 4 lbs (1.4-1.8kgs)	200°F (93°C)	8 lbs (3.6kgs)	4 qts (3.8l)	2 cups (0.56l)	3.5 - 4.5 hrs	170°F (77°C) Well Done
	5 - 7 lbs (2.3-3.2kgs)	200°F (93°C)	8 lbs (3.6kgs)	6 qts (5.7l)	3 cups (0.83l)	5 - 7 hrs	
Loin Roast (boneless)	3 - 5 lbs (1.4-2.3kgs)	200°F (93°C)	10 lbs (4.6kgs)	4 - 5 qts (3.8-4.7l)	3 cups (0.83l)	3.5 - 5.5 hrs	170°F (77°C) Well Done
Spare Ribs	4 - 6 lbs (1.8-2.7kgs)	200°F (93°C)	8 - 10 lbs (3.6-4.6kgs)	4 qts (3.8l)	3 cups (0.83l)	2.5 - 3.5 hrs	Well done when meat pulls away from bone
	7 - 10 lbs (3.2-4.6kgs)	200°F (93°C)	10 lbs (4.6kgs)	5 - 6 qts (4.7-5.7l)	3 cups (0.83l)	3.5 - 5 hrs	
POULTRY							
Chicken (2 whole)	2 - 3 lbs ea (0.9-1.4kgs)	200°F (93°C)	5 - 7 lbs (2.3-3.2kgs)	3 - 4 qts (2.8-3.8l)	2 cups (0.56l)	2.5 - 3.5 hrs	180°F (82°C) (Leg moves easily in joint)
Turkey	8 - 10 lbs (3.6-4.6kgs)	200°F (93°C)	8 lbs (3.6kgs)	5 qts (4.7l)	3 cups (0.83l)	4 - 6 hrs	185°F (85°C) (Leg moves easily in joint)
	11 - 13 lbs (5.0-5.9kgs)	200°F (93°C)	8 - 10 lbs (3.6-4.6kgs)	6 qts (5.7l)	3 cups (0.83l)	6 - 7.5 hrs	
SEAFOOD							
Salmon	6 - 7 lbs (2.7-3.2kgs)	200°F (93°C)	10 lbs (4.6kgs)	5 - 6 qts (4.7-5.7l)	3 cups (0.83l)	4 - 6.5 hrs	Flesh white, flakes when forked
Fish Fillets	Full Grate	200°F (93°C)	5 lbs (2.3kgs)	3 qts (2.8l)	1 - 2 cups (0.28-0.56l)	1.5 - 2.5 hrs	Flesh white, flakes when forked
Shrimp, Clams, Crab Legs	Full Grate	200°F (93°C)	5 lbs (2.3kgs)	3 qts (2.8l)	1 - 2 cups (0.28-0.56l)	1 - 2 hrs	Shrimp pink Shells open
WILD GAME							
Quail, Dove, etc.	12 - 16 birds	200°F (93°C)	7 - 10 lbs (3.2-4.6kgs)	4 qts (3.8l)	2 - 3 cups (0.56-0.83l)	2 - 4 hrs	Leg moves easily in joint
Pheasant, Duck, etc.	5 - 7 lbs (2.3-3.2kgs)	200°F (93°C)	8 - 10 lbs (3.6-4.6kgs)	4 - 5 qts (3.8-4.7l)	2 - 3 cups (0.56-0.83l)	4 - 5 hrs	180-185°F (82-85°C) Well Done

• When outside temperature is cooler than 65°F (18°C) and/or altitude is above 3,500 feet (1067m), additional cooking time may be required. To insure that meat is completely cooked use a meat thermometer to test internal temperature.

• Opening smoker door during cooking process may extend cooking time due to heat loss.



GENERAL WARNINGS AND SAFETY INFORMATION



- Use 20LB (9kgs) gas cylinder that has protective collar (cylinder not included with unit).
- Installation of unit must conform with local codes or in the absence of local codes, with National Fuel Gas Code, ANSIZ223.1/NFPA 54, Storage and Handling of Liquefied Petroleum Gasses, ANSI/NFPA 58 or CSA B149.1, Natural Gas Installation Code; Propane Storage and Handling, CSA B149.2; or the Standard for Recreational Vehicles, ANSI A119.2/NFPA 1192; and Recreational Vehicle Code, CSA Z240 RV Series as applicable.
- LP gas cylinder being used must be constructed and marked in accordance with specifications for LP gas cylinders of the US Department of Transportation (DOT) or the Standard for Cylinders, Spheres and Tubes for the Transportation for Dangerous Goods, CAN/CSA-B339.
- Always perform soapy water test (see “Soapy Water Test Instructions” in this manual) EVERY TIME you use unit.
- Before each use check all nuts, screws and bolts to make sure they are tight and secure.
- Before each use inspect gas hose for signs of damage.
- Always disconnect gas cylinder from unit when not in use.
- Never attach/disconnect gas cylinder, move or alter gas fittings when unit is in operation.
- Never use gas cylinder if there is evidence of dents, gouges, bulges, fire damage, erosion, leakage, excessive rust, or other forms of visible external damage. This may be hazardous and cylinder should be taken to a liquid propane supplier to be checked.
- Regulator and hose assembly supplied with unit MUST be used. For replacement parts, if needed, contact Masterbuilt Customer Service at 1-800-489-1581.
- When lighting burner remove all smoker parts to prevent explosion from gas build up.
- If ignition does not take place within five seconds using ignitor button, turn gas control valve to off position and wait five minutes and repeat lighting procedures.
- Keep fuel supply hose away from unit while in operation.
- Keep fuel supply hose away from any heated surface.
- Do NOT obstruct flow of combustion and ventilation. Keep ventilation openings of cylinder enclosure free and clear of debris.
- When use is complete, always turn regulator control valve OFF first, then gas cylinder valve OFF.
- Gas MUST be turned off at the supply cylinder when not in use.
- Do NOT store spare LP gas cylinder under or near unit. Gas cylinder safety relief valve may overheat allowing gas to release causing fire which may cause death or serious injury.
- Never fill cylinder over 80% full or cylinder may release gas causing fire which may cause death or serious injury.
- If you smell, hear or see gas escaping, immediately get away from gas cylinder and call the Fire Department. Fire may cause death or serious injury.
- Place a dust cap on cylinder valve outlet whenever cylinder is not in use. Only install dust cap provided with cylinder. Other caps or plugs may cause leaks.
- Cylinder MUST be stored outdoors, out of children’s reach and must NOT be stored in a building, garage, or any other enclosed area.
- This appliance is not for frying turkeys.

SOAPY WATER TEST WARNINGS & PROCEDURES

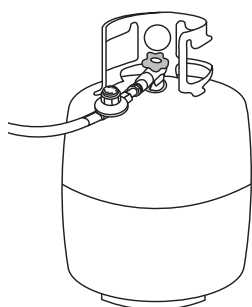
WARNINGS

- Soapy Water Test **MUST** be performed each time gas cylinder is connected to burner/hose or each time it is used.
- Soapy Water Test **MUST** be performed outdoors in well ventilated area.
- When performing Soapy Water Test keep smoker away from open flames, sparks or lit cigarettes.
- Smoker is designed to work with propane gas only. Only use gas cylinders marked propane with this unit. This product will **NOT** operate with natural gas.
- Never use an open flame to test for gas leaks.

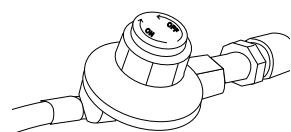
PREPARATION:

- Remove any cookware from smoker.
- Make sure regulator and gas cylinder valve are turned to OFF position.
- Prepare soapy water solution: (1) part dish washing liquid (or more if desired), (3) parts water.
- Apply soapy water solution to gas cylinder valve, regulator and hose length up to burner.

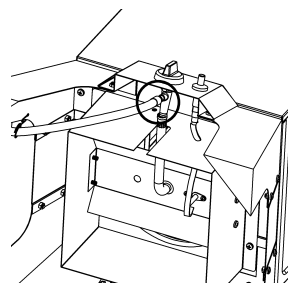
Apply solution to gas cylinder valve



Apply solution to hose regulator and the full length of the hose

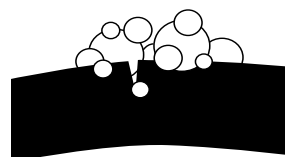


Apply solution underneath control panel where burner and hose are connected



(Smoker shown on back for clarity only)

Failed test will present bubbles as shown below.



TESTING GAS VALVE:

- Turn gas cylinder valve ON and watch for bubbles. **DO NOT LEAVE GAS ON MORE THAN 12 SECONDS.** If bubbles appear, stop, turn gas cylinder OFF and retighten fitting. Repeat test.

TESTING REGULATOR AND HOSE:

- **AFTER** gas cylinder valve has passed Soapy Water Test, turn gas cylinder valve ON, open regulator control valve one full turn and check for bubbles at valve location, along full length of hose and at burner connection. **DO NOT LEAVE GAS ON MORE THAN 12 SECONDS.** If bubbles appear, stop, turn regulator valve OFF, turn gas cylinder OFF and retighten the connection that is leaking gas. If hose is source of leak, **STOP**, do not use unit. Hose must be replaced.
- When test is complete, and there are no leaks, wait minimum of 5 minutes for gas fumes to diminish before lighting cooker.

DURING ANY PORTION OF SOAPY WATER TEST IF BUBBLES CONTINUE TO APPEAR, STOP, DO NOT USE UNIT. CONTACT LOCAL PROPANE DEALER OR MASTERBUILT CUSTOMER SERVICE @ 1-800-489-1581.

Note: Use 20LB (9kgs) gas cylinder that has a protective collar with this unit. Cylinder NOT included with this unit.

RECIPES

SMOKED TROUT

- 4-6 Trout Fillets
- 2 cups Water
- ¼ cup Soy Sauce
- ¼ cup Teriyaki Sauce
- ½ tsp Salt
- 1 tsp Lemon Pepper
- Garlic Salt
- Dill Seed
- Hickory, Alder or Apple Chips

Mix recommended amounts of water, soy sauce, teriyaki sauce and salt with other ingredients to your liking in a small container. Place fillets into marinade, cover and let soak in refrigerator overnight. Smoke for 3 to 4 hours, or until meat is flaky and dry, in pre-heated smoker at 225 degrees.

SMOKED FILET MIGNON

- 4 lbs Beef Filets
- 2 tbsp Olive Oil
- 4 Garlic Cloves (crushed)
- Salt
- Ground Pepper
- Mesquite or Cherry Chips

Season meat with garlic cloves, salt and pepper. Heat olive oil in large frying pan. Sear/brown meat on all sides. This will seal in juices before smoking.

Wrap each fillet in heavy aluminum foil leaving the tops of each uncovered. Sprinkle a little olive oil on top of each fillet. Place foil wrapped filets in 225 degree pre-heated smoker and cook about 20-30 minutes.

Medium rare filet will have an internal temperature of 140 degrees when checked with thermometer. Allow meat to cool slightly then carve into ½ inch slices. Serve at room temperature.

FOR MORE TANTALIZING RECIPES
AND COOKING TIPS VISIT US ONLINE AT
WWW.MASTERBUILT.COM



RECIPES

PORK OR BABY BACK RIBS

2-4 lbs Pork or Baby Back Ribs

½ tsp Salt

¼ cup Brown Sugar

2 ½ tsp Chili Powder

1 ½ tsp Ground Cumin

2 tsp Cayenne Pepper

2 tsp Black Pepper (freshly ground)

2 tsp Garlic Powder

2 tsp Onion Powder

Hickory Chips

Mix ingredients and rub mixture on meat for 2 hours before cooking. Allow meat to reach room temperature.

Cook ribs for 3 hours at 225°F (107°C) in pre-heated smoker using hickory chips during the first 2 hours.

After 3 hours remove the ribs and wrap in heavy foil.

Cook for an additional 1- 1 ½ hours.

MAPLE GLAZED HAM

5-7 lbs Ham Shank or Butt (fully cooked, bone in)

1 ½ cup Maple Syrup

1 tsp Ginger

¼ tsp Nutmeg

½ tsp Allspice

16 Whole Cloves

1 can Pineapple Slices (canned)

1 jar Maraschino Cherries

Hickory or Mesquite Chips

Remove thick skin and trim fat leaving no more than ½" thick covering on ham. Score ham. Combine syrup, ginger, nutmeg, and allspice in a small bowl. Place ham in large dish and baste with syrup mixture. Let ham stand in syrup mixture for 1 or 2 hours, basting frequently, until at room temperature.

When ready to smoke, remove ham from dish and stud with cloves. Place ham in pre-heated 225°F (107°C) smoker. Cook for about 2-3 hours. Baste with syrup mixture at least 2 times during cooking time. Before last hour of smoking decorate ham with canned pineapple and cherries and baste. Internal temperature of ham should be at 130°F-140°F (54°C-60°C) when heated through.

HONEY CURED SMOKED SALMON

1 qt Water

½ tsp Salt

¾ cup Honey

¼ cup Golden Rum

¼ cup Lemon Juice

10 Cloves

10 Allspice Berries

1 Bay Leaf

1 Large Fillet of Salmon

Hickory or Apple Chips

Combine all of the ingredients except salmon to make a brine. Place the salmon, skin side up, in a baking dish and cover with brining liquid. Allow fish to brine for two hours. Rinse salmon in cold water and pat dry.

Place salmon on a drying rack (or smoker rack that you will use to smoke the salmon on) and allow to air dry for at least 1 hour. Smoke the salmon skin side down for about 1-1 ½ hours at 160°F (71°C).

SMOKED CORNISH HEN & WILD RICE

2 Cornish Game Hens

¼ cup Green Onion (chopped)

3 tbsp Butter

1 cup Wild Rice (cooked)

¼ cup Pecans or Walnuts (chopped)

½ cup Lime Marmalade

¼ cup Orange Juice

Salt (to taste)

Hickory Chips

Rinse and pat dry each hen. Season cavities with salt. Sauté onions in 1 tbsp butter. Stir in rice and chopped nuts.

Stuff hens with rice mixture. Close with skewers or kitchen string. Melt remaining 2 tbsp of butter in small saucepan. Add marmalade and orange juice, blending until smooth. Brush hens with marmalade mixture.

Place hens on grate in 225°F (107°C) pre-heated smoker and cook for 2-2 ½ hours. Brush with remaining glaze before serving.

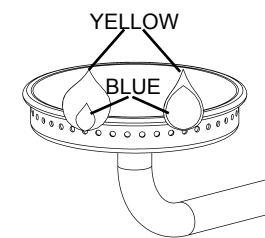
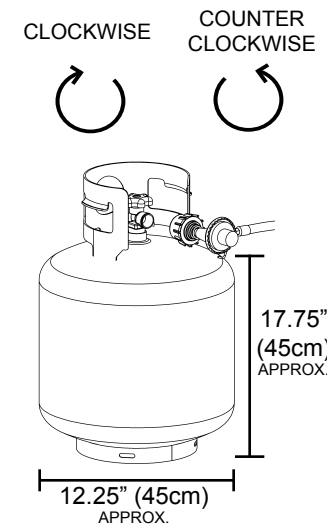


WARNING



PERFORM "SOAPY WATER TEST" BEFORE EACH USE. SEE "SOAPY WATER TEST" SECTION IN MANUAL. EXTINGUISH ALL OPEN FLAMES BEFORE CONNECTING REGULATOR TO GAS CYLINDER. TURN GAS OFF AFTER EACH USE.

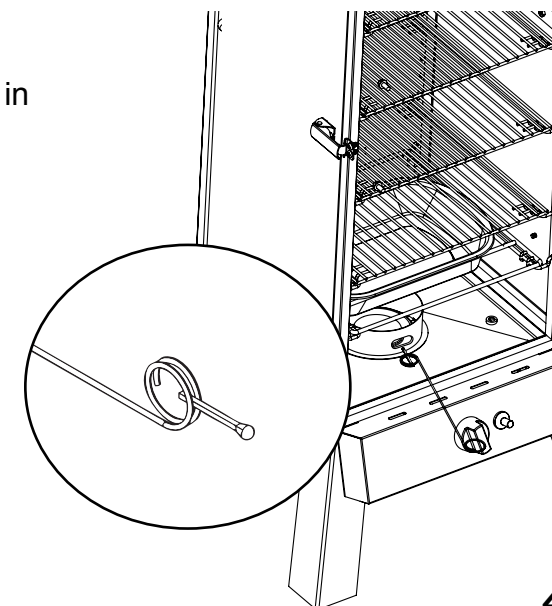
REGULATOR, BURNER AND GAS VALVE CONNECTION & OPERATION



- Inspect hose before each use. If there are signs of wear, cuts, or leaks, replace unit. DO NOT USE.
- Inspect burner before each use. Check burner and burner ventura tube for insects and insect nests. A clogged tube can lead to a fire beneath appliance.
- Connect hose regulator to LP Gas Cylinder
 1. Make sure gas cylinder valve is closed. Turn knob clockwise until it stops.
 2. Make sure control knob on smoker is in the "OFF" position.
 3. Remove protective cap from gas cylinder and coupling nut if applicable.
 4. Center and insert regulator nipple into valve outlet on gas cylinder as shown in figure on the left. Turn regulator coupling nut clockwise until it stops. DO NOT OVER TIGHTEN.
- Perform Soapy Water Test.
- To use turn gas cylinder ON, turn regulator control valve ON, push burner control knob in and turn counter-clockwise ¼ turn. Push ignitor button to light.
- If ignition does not take place within five seconds, turn gas control valve to off position and wait five minutes and repeat lighting procedures. If ignition still does not occur, see match light directions below.
- After use turn burner control knob OFF, turn regulator control valve OFF, then turn gas cylinder OFF.
- Burner control knob adjusts burner flame. Turn knob counter-clockwise to decrease flame. Turn knob clockwise SLOWLY to increase flame. Push burner control knob in and turn clockwise to shut flame off.
- Visually check burner flame. A CORRECT FLAME should be blue with a small amount of yellow at the tip. An INCORRECT FLAME is excessively yellow and irregular. If an incorrect flame occurs, turn burner control knob to "OFF" position, turn off regulator and propane tank. Allow unit to cool and then clean burner. Let burner completely dry before re-lighting.

MATCH LIGHT INSTRUCTIONS

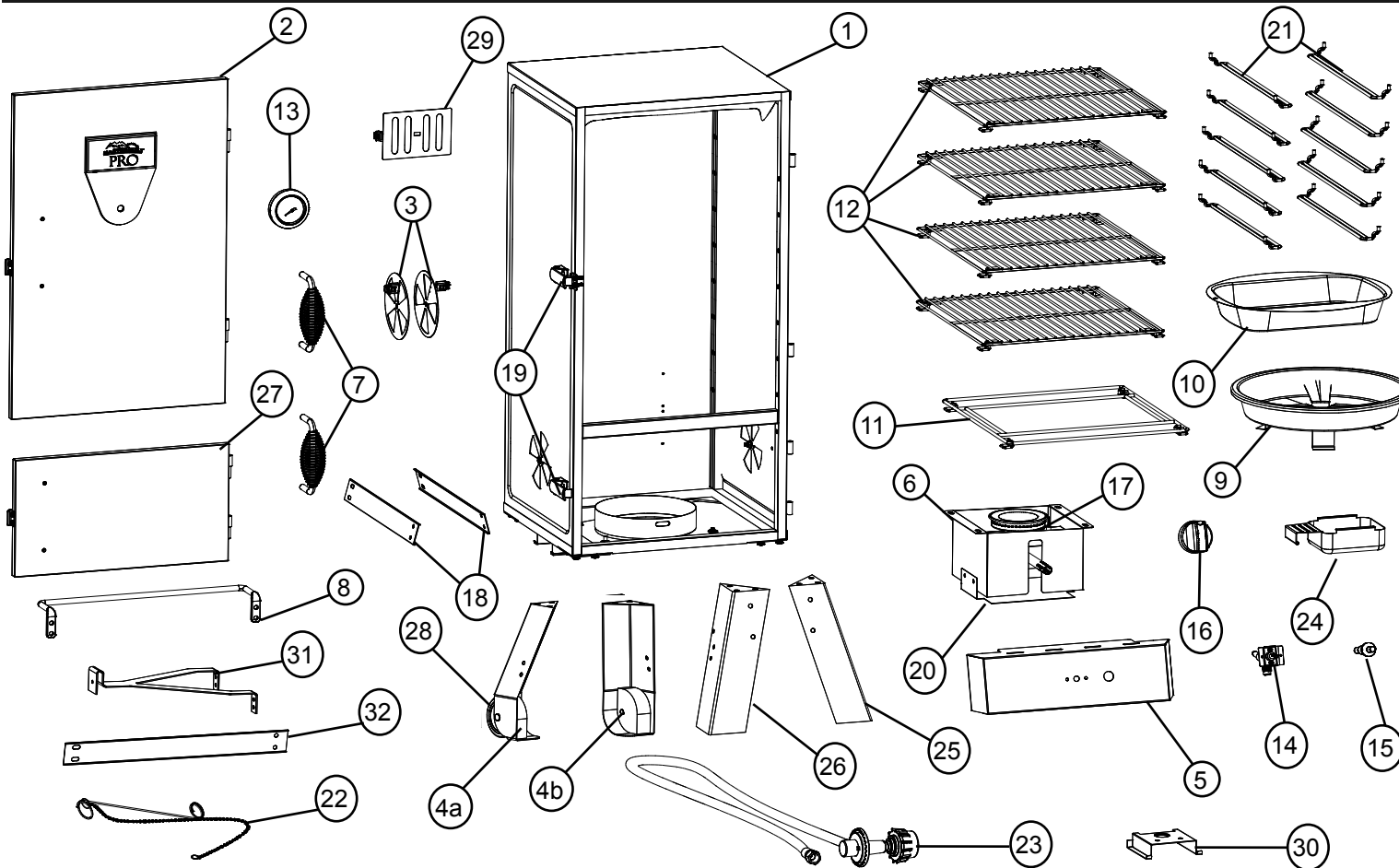
1. Read all instructions and warnings before lighting.
2. Check gas control valve and gas cylinder valve to be certain it is in OFF position before connecting to gas cylinder. Perform soapy water test before each use.
3. Open door during lighting.
4. Turn gas control valve on, turn gas cylinder valve on.
5. Place a long, lit fireplace match stick close enough to burner to ignite.
6. After each use, first turn gas control valve off, then gas cylinder valve off. Always allow unit to cool completely before touching, moving or storing.





DO NOT RETURN TO RETAILER For Assembly Assistance, Missing or Damaged Parts
 Call: MASTERBUILT Customer Service at 1-800-489-1581.
 Please have Model Number and Serial Number available when calling.
 These numbers are located on silver label on back of unit.

PARTS LIST



PART NO	QUANTITY	DESCRIPTION	PART NO	QUANTITY	DESCRIPTION
1	1	Smoker Body	16	1	Control Knob (pre-assembled)
2	1	Large Smoker Door w/ Logo Plate	17	1	Burner (pre-assembled)
3	2	Air Damper - Round	18	2	Side Leg Brace
4a	1	Left Rear Leg w/ Wheel	19	2	Door Latch (pre-assembled)
4b	1	Right Rear Leg w/ Wheel	20	1	Heat Shield
5	1	Control Panel	21	10	Cooking Grate Support
6	1	Burner Box	22	1	Matchstick w/Chain (pre-assembled)
7	2	Door Handle	23	1	Regulator/Hose (pre-assembled)
8	1	Body Handle	24	1	Drip Cup
9	1	Flame Disk Bowl	25	1	Right Front Leg
10	1	Water Bowl	26	1	Left Front Leg
11	1	Water Bowl Holder	27	1	Small Smoker Door
12	4	Cooking Grate	28	2	Wheel
13	1	Temperature Gauge w/ Beauty Ring	29	1	Air Damper - Square
14	1	Valve (pre-assembled)	30	1	Drip Cup Bracket
15	1	Ignitor (pre-assembled)	31	1	Tank Retainer
			32	1	Rear Leg Brace

WARNING

COMBUSTION BY-PRODUCT PRODUCED WHEN USING THIS PRODUCT CONTAINS CHEMICALS KNOWN TO THE STATE OF CALIFORNIA TO CAUSE BIRTH DEFECTS, OTHER REPRODUCTIVE HARM, OR CANCER.

THIS PRODUCT CONTAINS LEAD, A CHEMICAL KNOWN TO THE STATE OF CALIFORNIA TO CAUSE BIRTH DEFECTS OR OTHER REPRODUCTIVE HARM. WASH YOUR HANDS AFTER HANDLING THIS PRODUCT.

SAFE STORAGE & MAINTENANCE

- Inspect all hardware in assembled parts for tightness on a regular basis to ensure unit is in safe working condition.
- ALWAYS allow unit to cool completely before handling.
- Clean unit, including special surfaces such as cooking grates, with mild cleaning agents. Wipe outside of unit with damp cloth. DO NOT use oven cleaner.
- ALWAYS cover and store cold unit in a protected area.
- Unit is made of steel and may rust over time. If rusting occurs on outside surfaces, clean area with sand paper or steel wool, then cover with heat resistant paint.
- NEVER USE PAINT ON INSIDE SURFACES OF UNIT.

WOOD SMOKING GUIDE FOR MEATS

WOOD FLAVOR	POULTRY	FISH	HAM	BEEF	PORK	LAMB
Hickory Pungent, smoky, bacon-like flavor	✓	✓	✓	✓	✓	
Mesquite Sweet and delicate flavor	✓			✓		✓
Alder Delicate, wood smoke flavor	✓	✓			✓	
Pecan Bold and hearty flavor	✓	✓			✓	
Maple Sweet, subtle flavor	✓				✓	
Apple Sweet, delicate flavor	✓	✓			✓	
Cherry Sweet, delicate flavor	✓				✓	

DUAL SMOKER OPERATION

CHARCOAL SMOKING

1. Fill flame disk bowl with up to 8lbs (3.6kgs) of charcoal. Stack briquets in a pyramid.
2. Add lighter fluid following directions on fluid container. Before lighting, place lighter fluid at least 25 ft (8m) away from unit. Do not lean into unit when lighting charcoal. Light charcoal. LEAVE DOOR OPEN.
3. In about 15 minutes, flames will die out and briquets will begin to ash over. Once the briquets are completely ashed over, spread briquets in a single layer.
4. With protective gloves on, place water bowl in position. Pour 1 inch of water, juice, or vinegar into water bowl. This will add flavor and moisture to food and prevent it from drying out.
5. Place cooking grates in smoker. Position food in center.

- **Never use gasoline to light charcoal.**
- **Overfilling charcoal bowl can cause serious injury and damage the unit.**
- **Never add additional lighter fluid once charcoal has ignited.**
- **Hot coals should not be left unattended.**
- **Unit is hot. Use protective gloves and long, sturdy cooking utensils.**

WOOD SMOKING

1. Pre-soak wood chips in water for at least 30 minutes.
2. Before starting unit, place 1-2 cups (0.24l-0.56l) of wood chips in flame disk bowl. Never use more than 2 cups (0.56l) of wood chips at a time. Never use wood chunks.
3. Follow matchstick lighting instructions (see pg. 4) to light smoker.
4. With protective gloves on, place water bowl in position. Pour about 1 inch of water, juice, or vinegar into water bowl. This will add flavor and moisture to food and prevent it from drying out.
5. Place cooking grates in smoker. Position food in center.

- **Wood chips must be used in order to produce smoke and create the smoke flavor.**
- **Food needs to be in the center of cooking racks. This allows food drippings to go into the water bowl.**
- **This is a smoker. There will be a lot of smoke produced when using wood chips. Smoke will escape through seams and turn the inside of smoker black. This is normal.**
- **Do not open smoker door unless necessary. Opening smoker door causes heat to escape and may cause wood to flare up. Closing the door will re-stabilize the temperature and stop flare up.**
- **When door is opened, sometimes a flare up may occur. Should wood chips flare up immediately close door, wait for wood chips to burn down then open door again.**
- **Do not leave old wood or charcoal ashes in the flame disk bowl. Flame disk bowl should be cleaned out prior to each use to prevent ash buildup.**

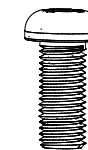
HARDWARE LIST



(A)
M6x12
Phillips Screw
Qty-39



(B)
#10x3/8
Self-tapping Screw
Qty-4



(C)
M6x20
Phillips Screw
Qty-4



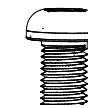
(D)
M6
Lock Nut
Qty-3



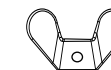
(E)
M6
Flange Nut
Qty-16



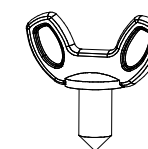
(F)
M5x20
Phillips Screw
Qty-4



(G)
M5x10
Phillips Screw
Qty-2



(H)
Wing Nut
(packed with temperature gauge)
Qty-1



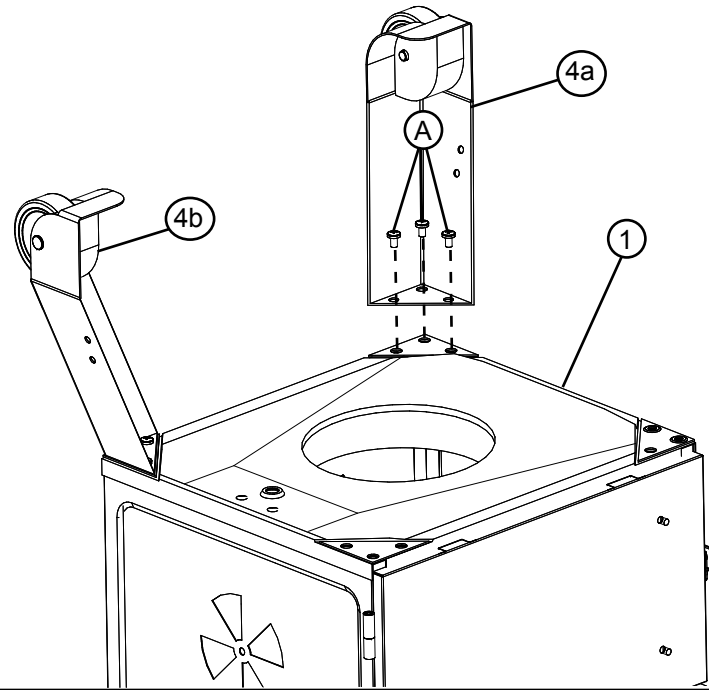
(I)
Wing Screw
(pre-assembled to tank retainer)
Qty-1

REPLACEMENT PARTS LIST

PART NO	REPLACEMENT PART	ITEM NO	PART NO	REPLACEMENT PART	ITEM NO
1	Body Kit	9905100029	17	Burner	9005100011
2	Large Door	9005100067	18	Leg Brace Kit	9905100033
3	Air Damper Kit - Round	9905100038	19	Door Latch Kit	990050222
4a	Left Rear Leg	9905110006	21	Cooking Grate Support	9005100006
4b	Right Rear Leg	9905100032	22	Matchstick w/Chain	908060003
5	Control Panel Kit	9905100004	23	Regulator/Hose	911060001
6	Burner Box Kit	9905100036	24	Drip Cup	9005100069
7	Door Handle Kit	9905100025	25	Right Front Leg Kit	9905100030
8	Body Handle Kit	9905100035	26	Left Front Leg Kit	9905100031
9	Flame Disk Bowl	9005100068	27	Small Door	9005100048
10	Water Bowl	9005100009	28	Wheel Kit	9905100034
11	Water Bowl Holder	9005100007	29	Air Damper - Square	9905100037
12	Cooking Grate	911060003	30	Drip Cup Bracket Kit	9905100039
13	Temperature Gauge Kit	9905110007	31	Tank Retainer	
14	Valve Kit	990060291	32	Rear Leg Brace Kit	9905110008
15	Ignitor Assembly Kit	990060328		Hardware Kit	9905100040
16	Control Knob	9005100070		Instruction Manual	9805100023

ASSEMBLY

- BEFORE ASSEMBLY READ ALL INSTRUCTIONS CAREFULLY.
- ASSEMBLE UNIT ON A CLEAN, FLAT SURFACE.
- TOOLS NEEDED: ADJUSTABLE WRENCH, PHILLIPS HEAD SCREWDRIVER



Carefully position smoker as shown.

Do not tighten screws all the way. Leg frames may need to be adjusted during assembly.

STEP 1

Attach left rear leg (4a) to bottom of smoker body (1) using screws (A).

Repeat step for remaining right rear leg (4b).

Do not fully tighten screws yet.

Do not tighten screws all the way. Leg frames may need to be adjusted during assembly.

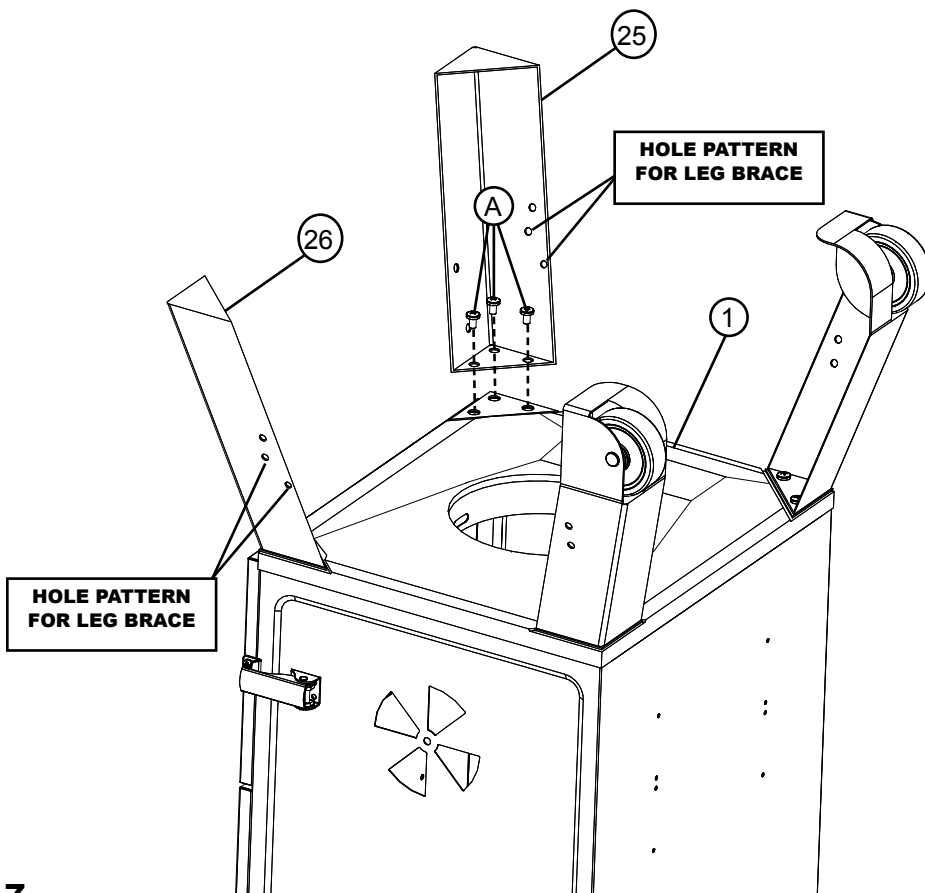
STEP 2

Note: Make sure hole patterns for leg brace and properly aligned before assembling each leg.

Attach right front leg (25) to bottom of smoker body (1) using screws (A).

Repeat step for left front leg (26).

Do not fully tighten screws yet.



PRE-SEASON INSTRUCTIONS

Curing your smoker will rid the unit of chemicals and oils left over by the manufacturing process allowing them to burn off. **Preseason smoker prior to first use.**

1. Perform soapy water test (see pg. 3).
2. Using a napkin or cloth, rub a light coat of cooking oil on cooking grates and inside smoker door. Make sure water pan is in place with NO WATER.
3. Fill flame disk bowl with up to 8lbs (3.6kgs) of charcoal or up to 2 cups (0.56l) of wood chips and light smoker. Close door.
4. Let the smoker burn for about 30 minutes. Make sure temperature gets up to 400°F (204°C).
5. Allow unit to cool completely.
6. Reapply light coat of cooking oil on cooking grates and inside of smoker door.
7. Relight smoker and burn the oil for 20 minutes.

- Cure your smoker periodically to prevent excessive rust.

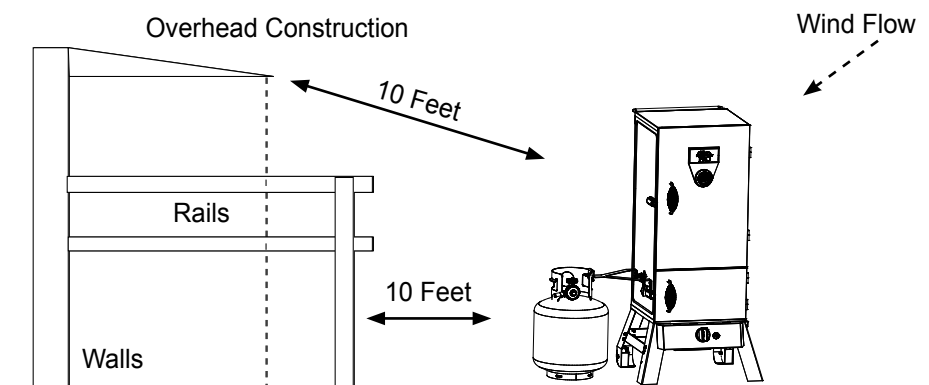
SMOKER IS READY FOR USE



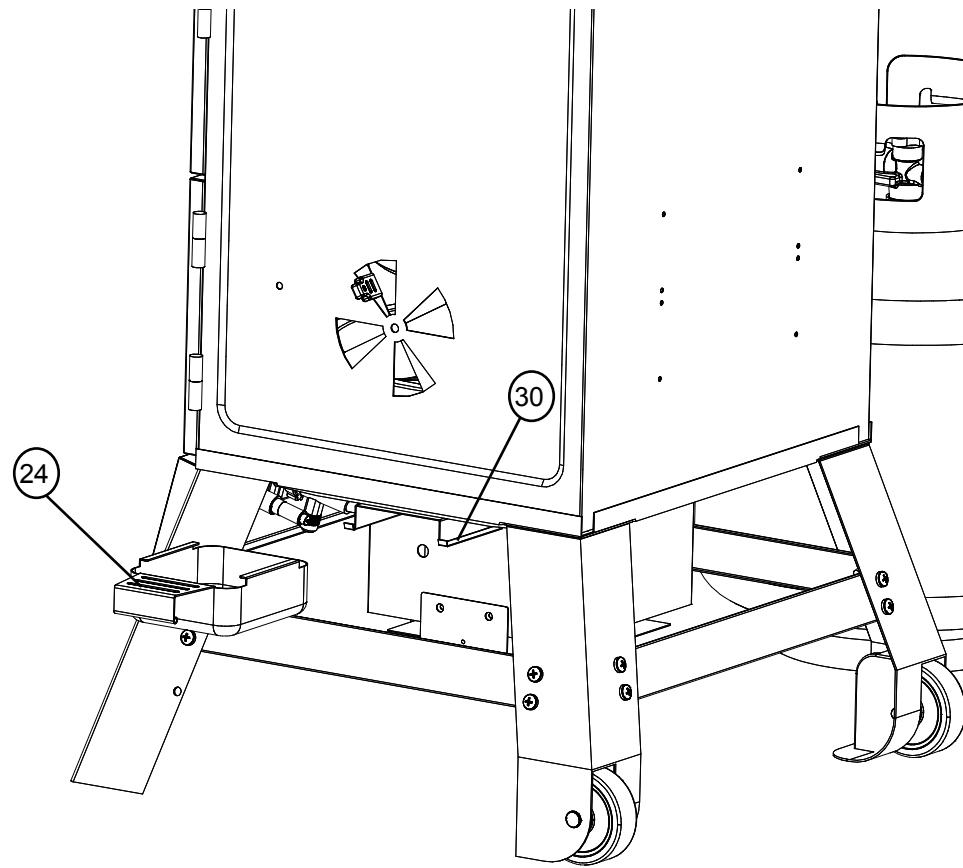
GENERAL WARNINGS AND SAFETY INFORMATION



Maintain a minimum distance of 10ft (3m) from overhead construction, walls, rails or other structures.



ASSEMBLY



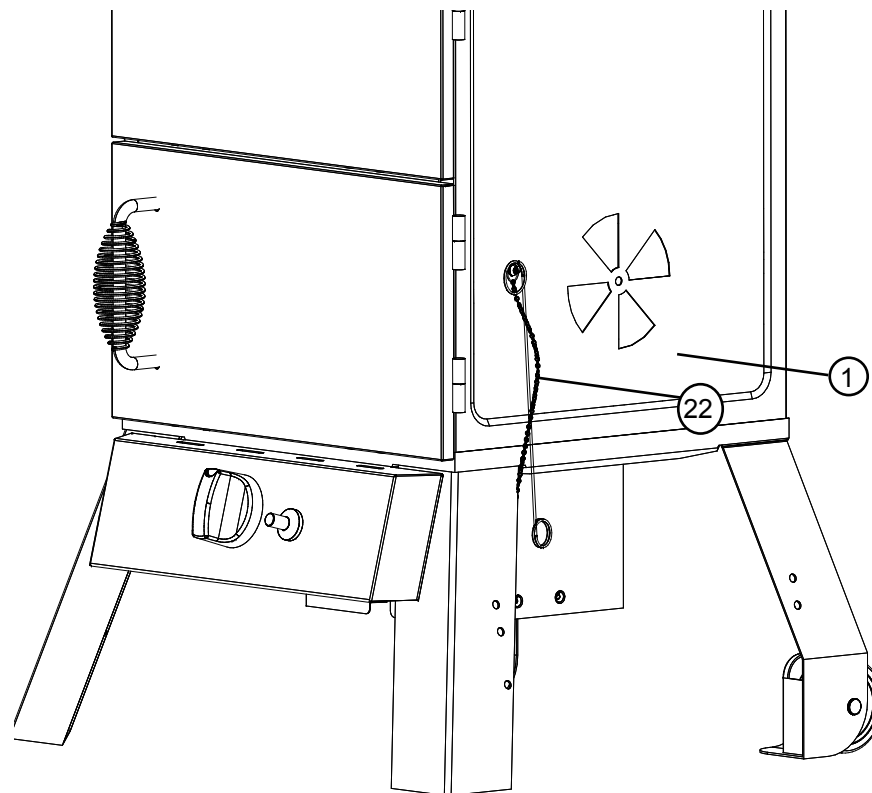
STEP 17
Slide drip cup (24) onto drip cup bracket (30). Drip cup is needed to collect grease run-off.

STEP 18
Hang matchstick (22) on side of smoker body (1) as shown.

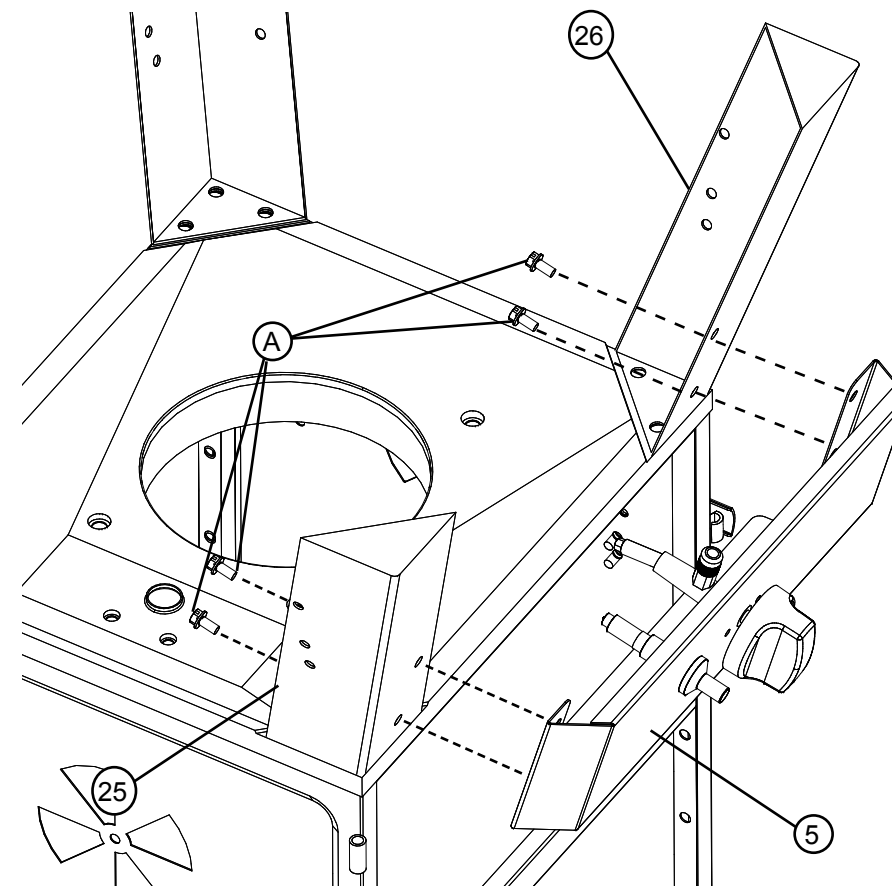
Assembly is complete!

Perform soapy water test to check for gas leaks before use (see pg 3).

Note: Soapy Water Test MUST be performed each time gas cylinder is connected to burner/hose or each time it is used.



ASSEMBLY



Some parts not shown for clarity.

STEP 3
Attach control panel (5) to right front leg (25) as shown using screws (A).

Repeat on opposite side attaching control panel (5) to left front leg (26).

STEP 4
Position burner box (6) over center hole in bottom of smoker body, carefully aligning venturi over valve orifice as shown. Attach burner box to smoker body using screws (A).

Firmly attach ignition wire to piezo ignitor on control panel as shown in Figure B.

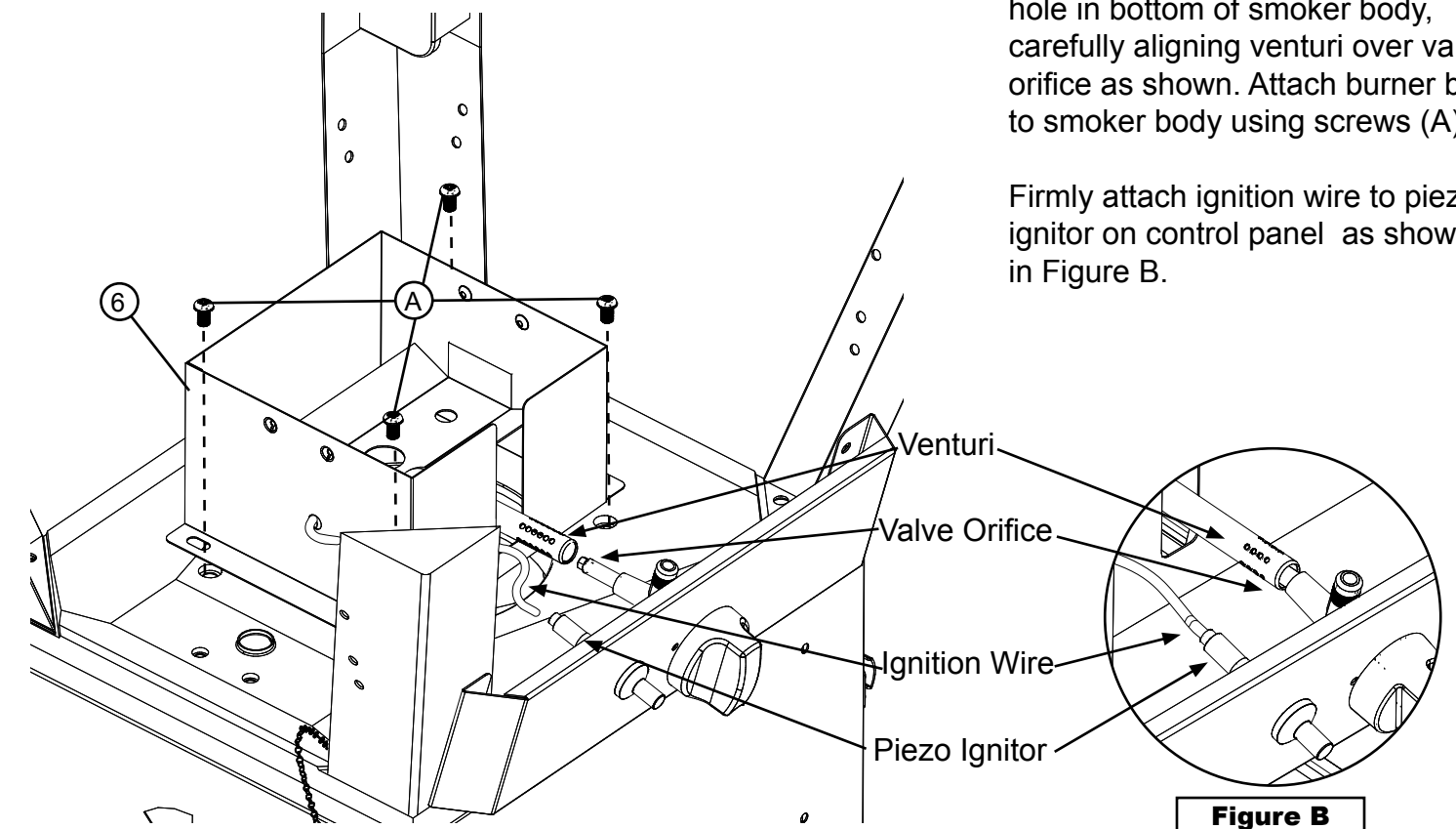
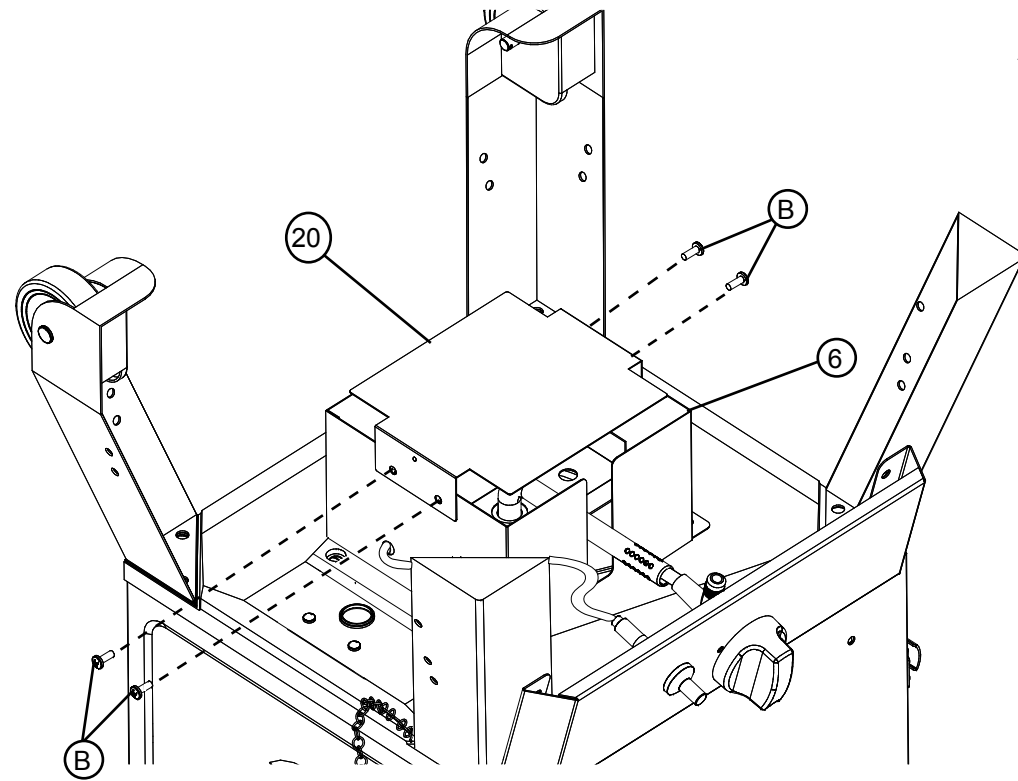
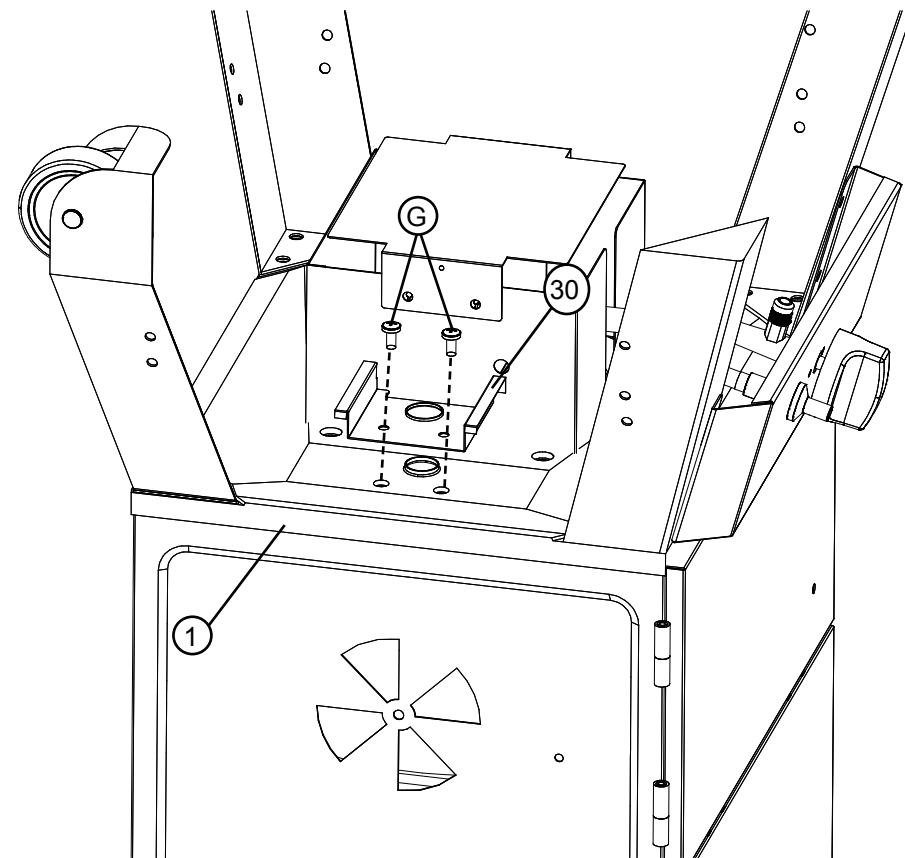


Figure B

ASSEMBLY

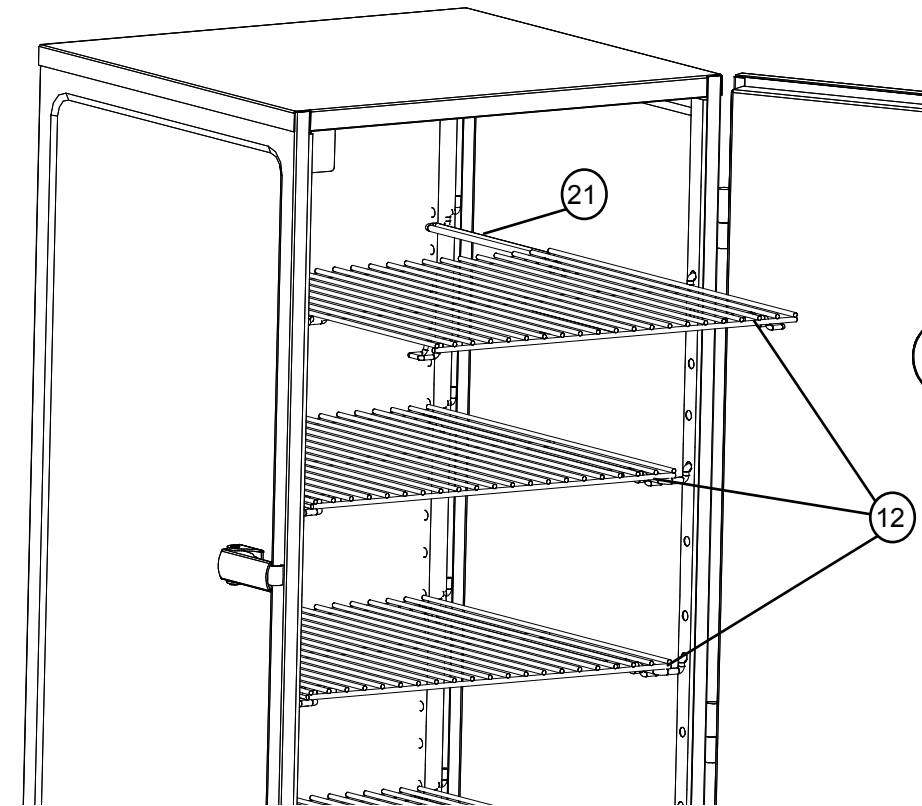


STEP 5
Attach heat shield (20) to burner box (6) using screws (B) as shown.

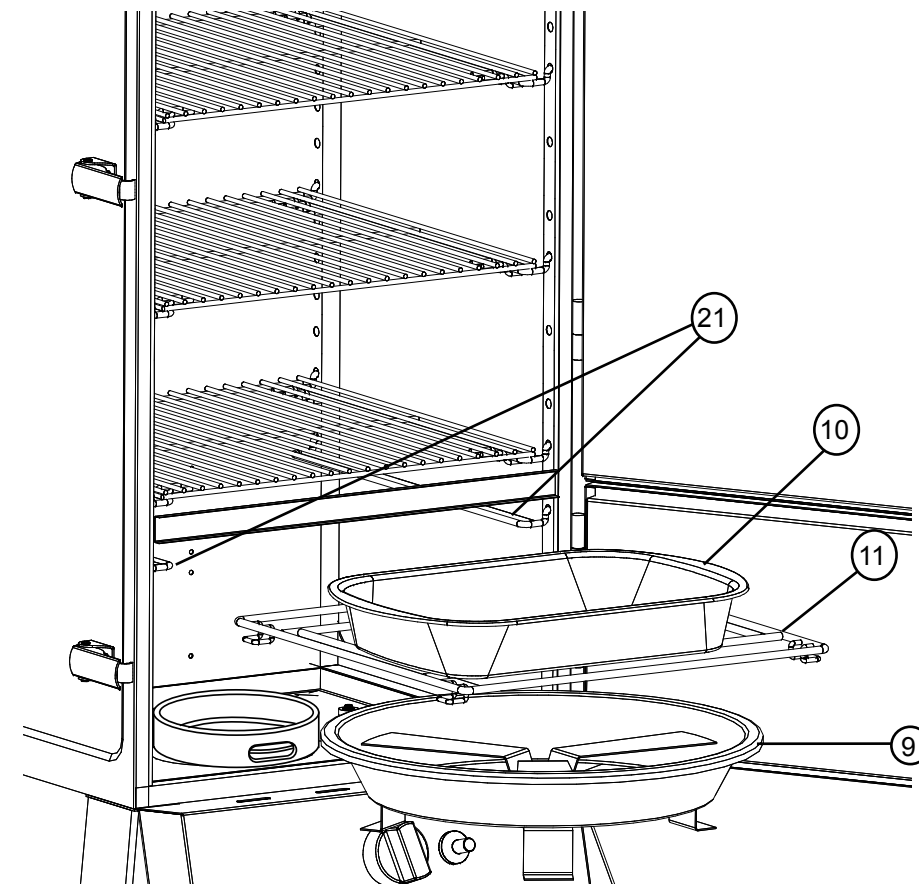


STEP 6
Mount drip cup bracket (30) to smoker body (1) using screws (G).

ASSEMBLY



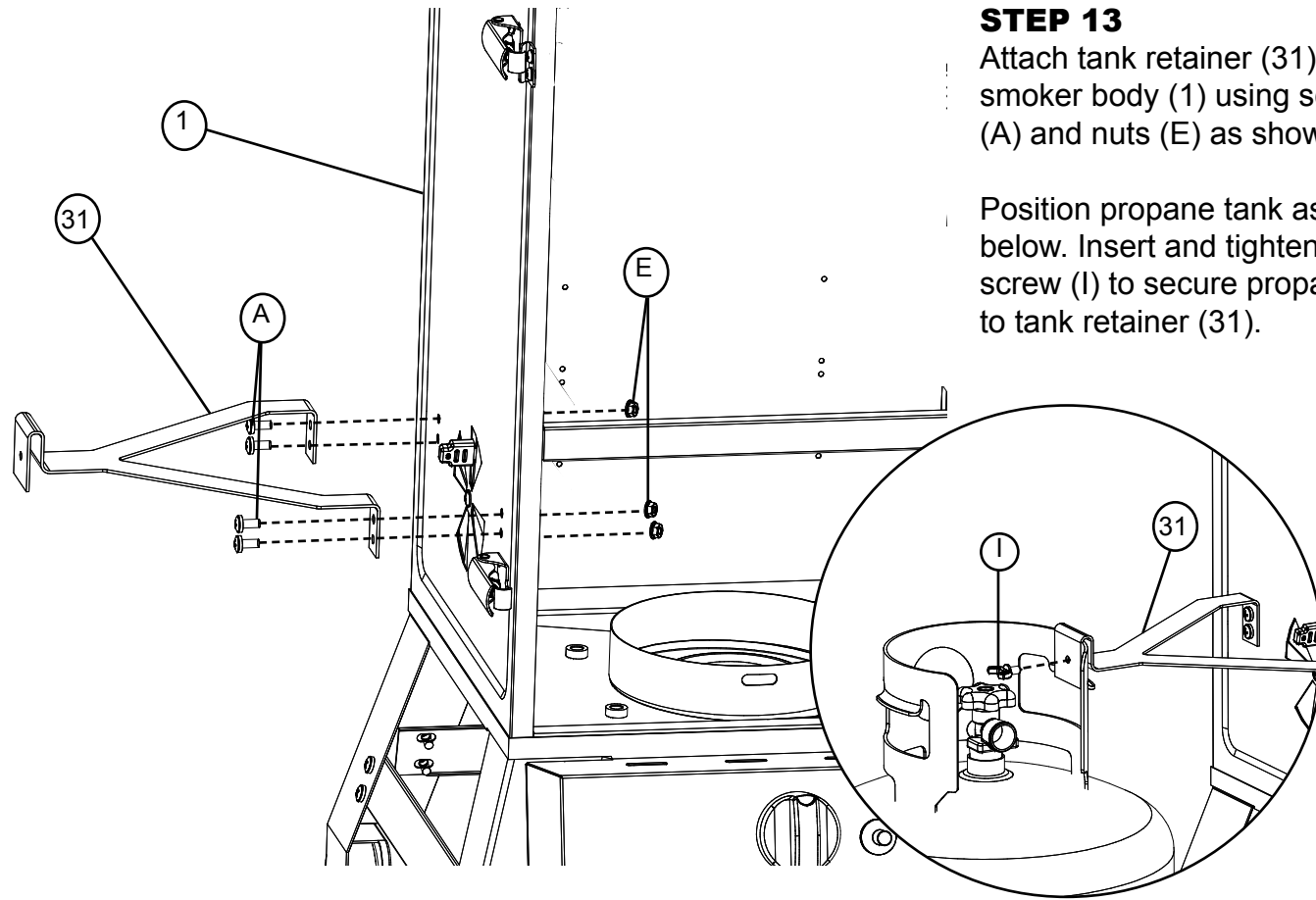
STEP 15
Slide cooking grates (12), onto cooking grate supports (21).



STEP 16
Insert water bowl (10) into water bowl holder (11) and slide water bowl holder onto cooking grate support (21).

Place flame disk bowl (9) into smoker as shown.

ASSEMBLY

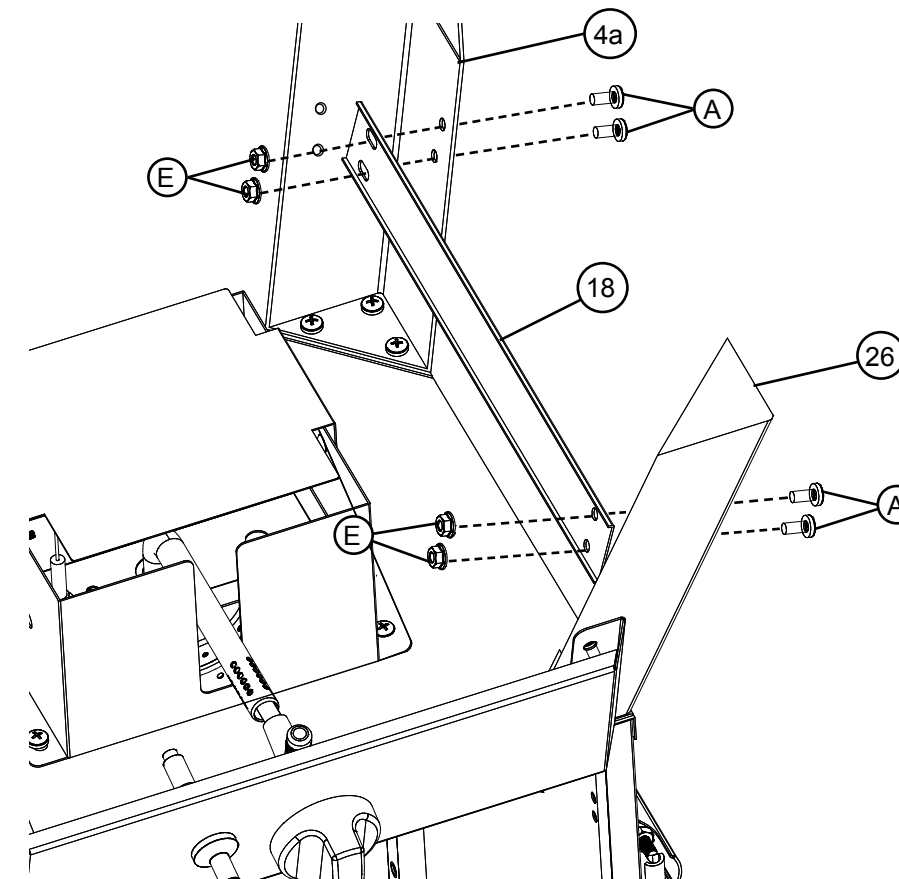


STEP 13

Attach tank retainer (31) to smoker body (1) using screws (A) and nuts (E) as shown.

Position propane tank as shown below. Insert and tighten wing screw (I) to secure propane tank to tank retainer (31).

ASSEMBLY

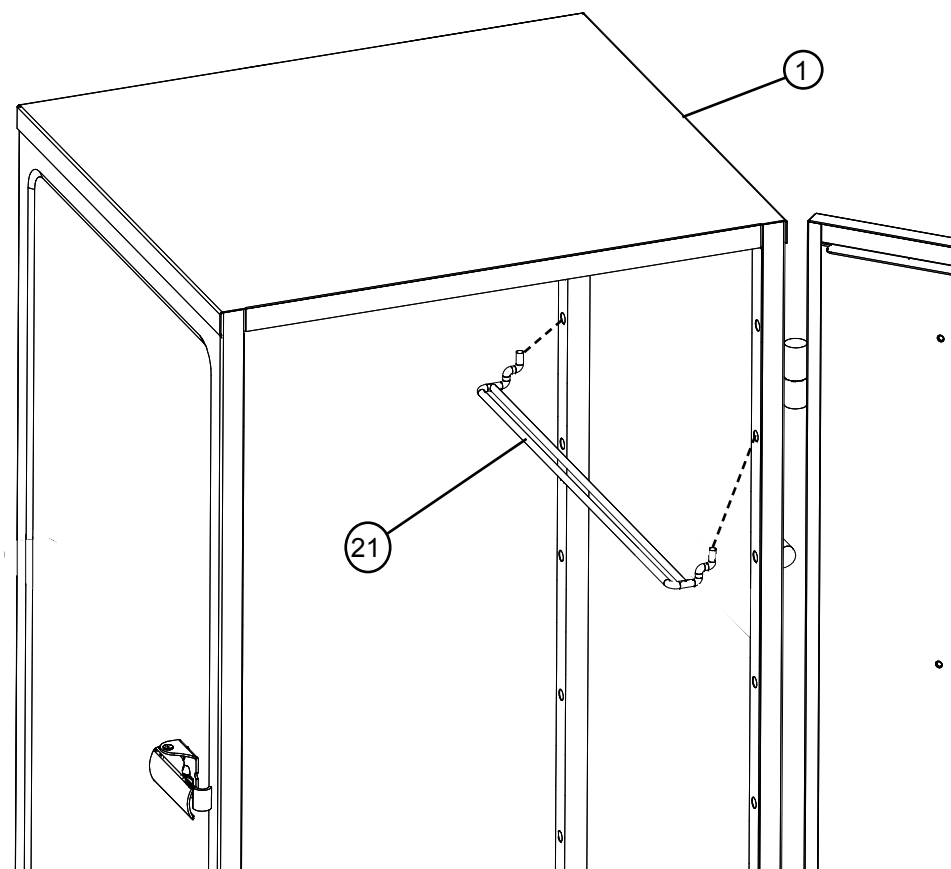


STEP 7

Attach leg brace (18) to left front leg (26) and left rear leg (4a) using screws (A) and nuts (E) as shown.

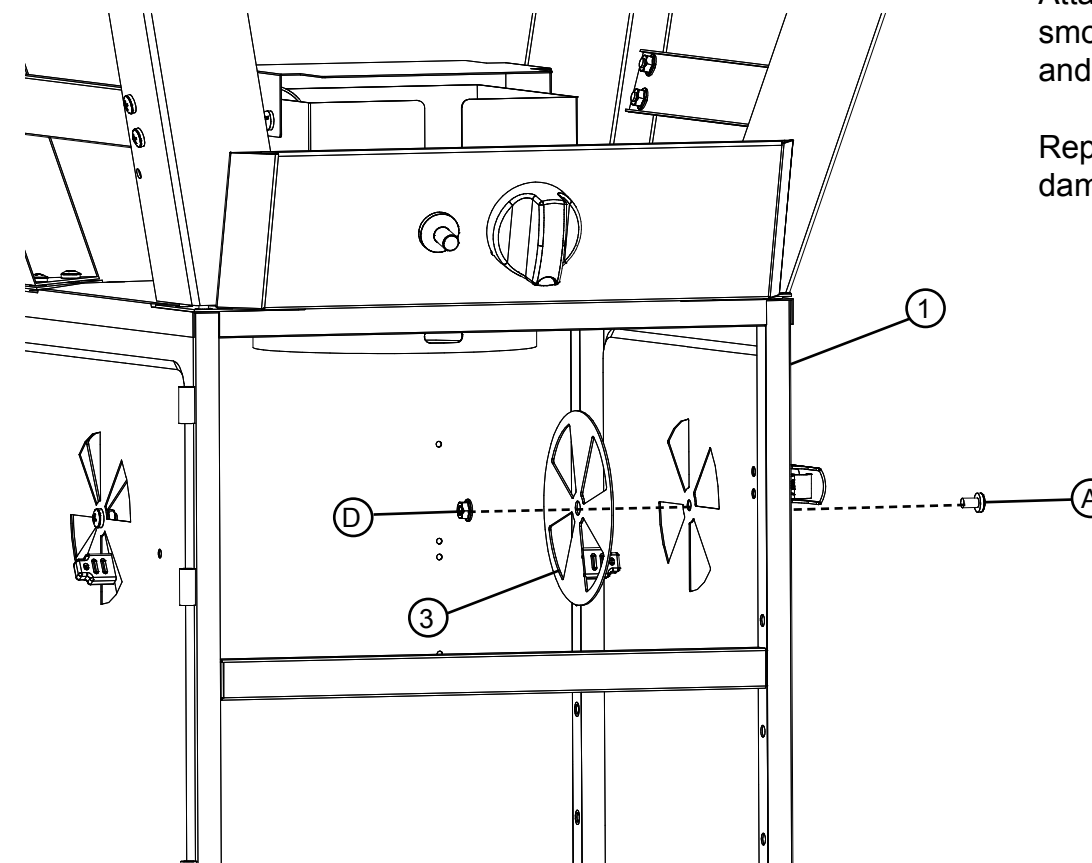
Repeat step for remaining leg brace and rear leg brace.

Tighten all hardware at this time.



STEP 14

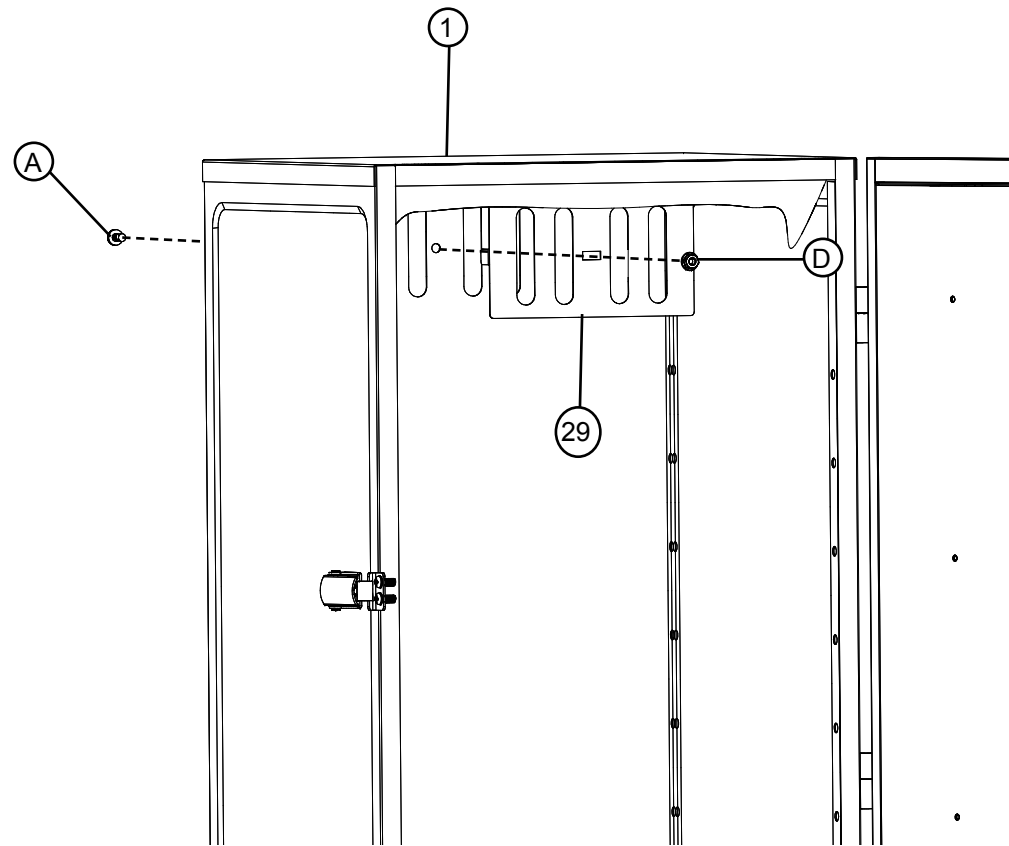
Insert cooking grate supports (21) into smoker body (1).



STEP 8

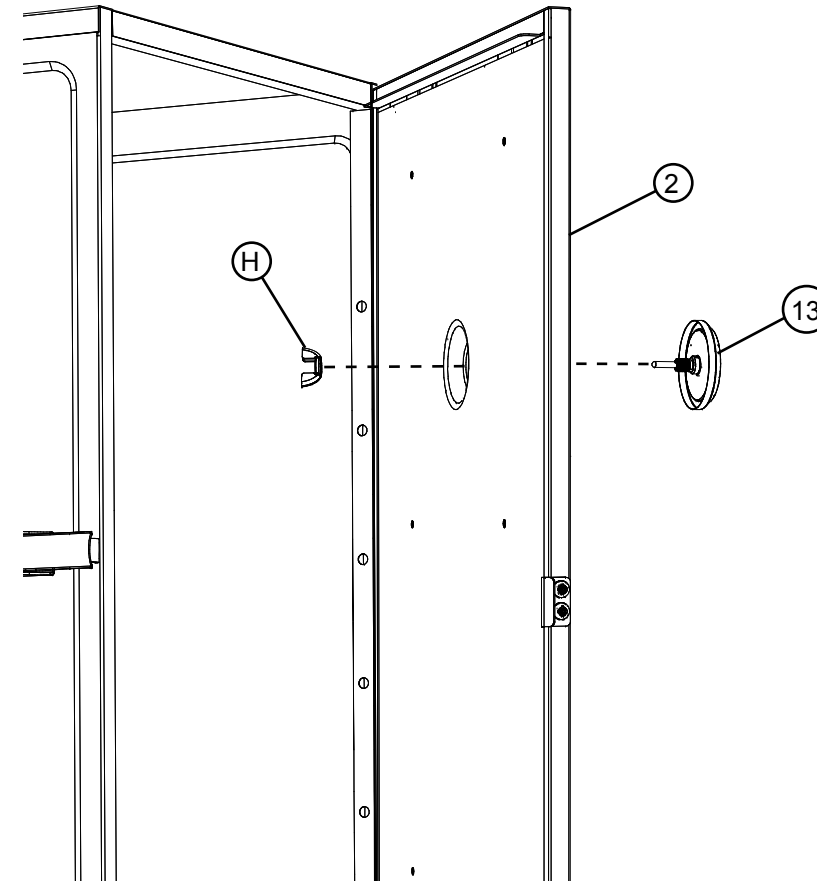
Attach air damper - round (3) to smoker body (1) using screw (A) and lock nut (D) as shown.

Repeat step for the remaining air damper - round.

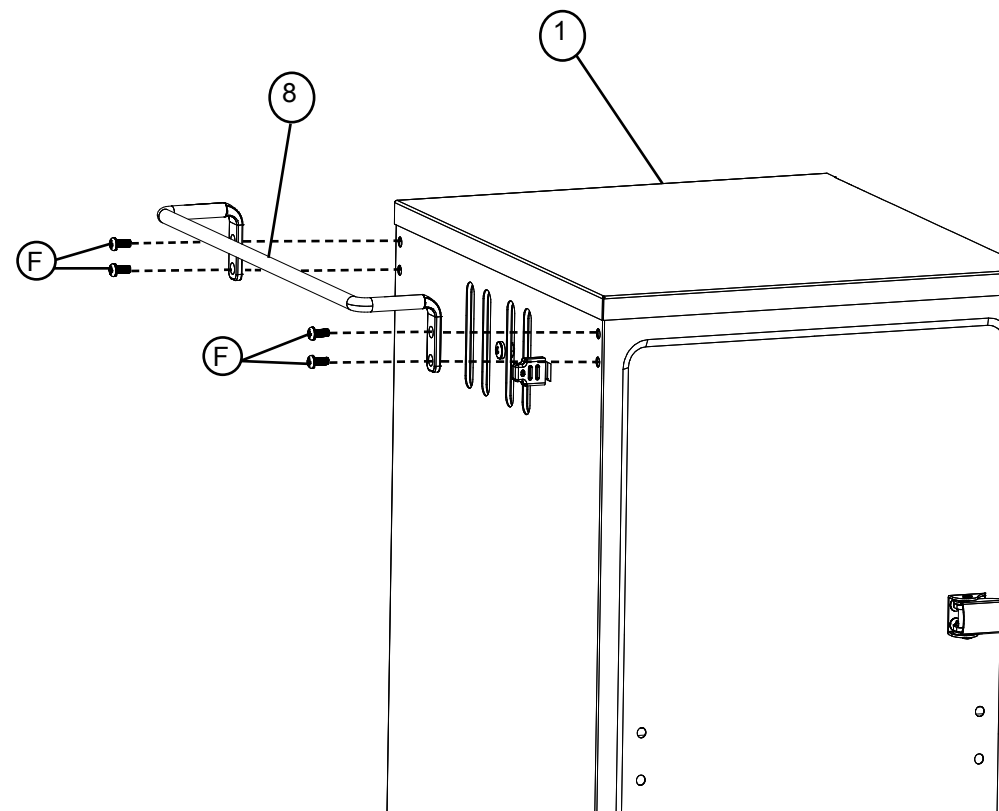


Carefully position smoker as shown.

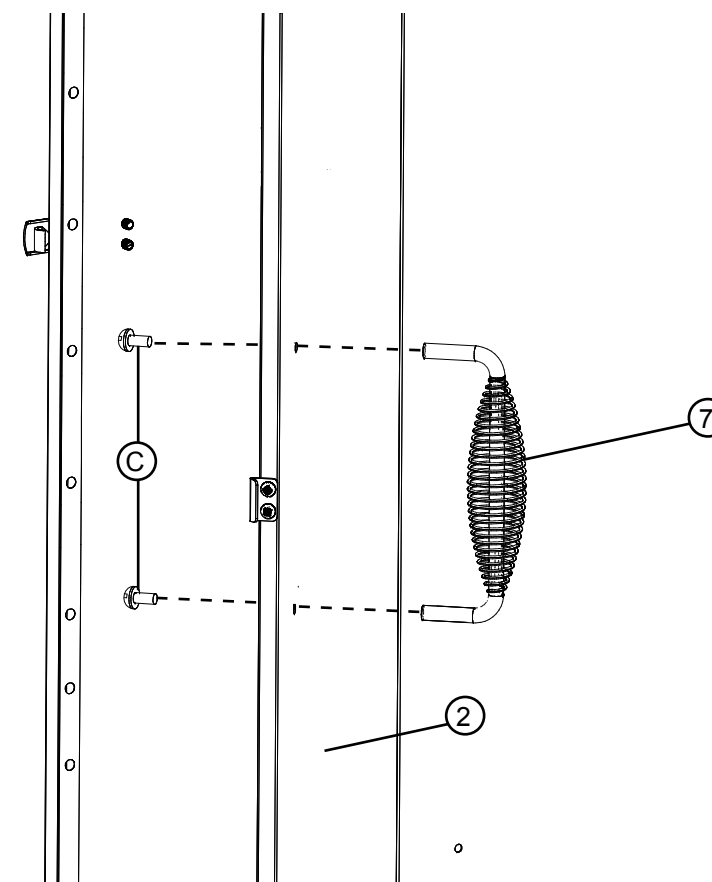
STEP 9
Attach air damper - square (29) to smoker body (1) using screw (A) and lock nut (D).



STEP 11
Insert temperature gauge w/ beauty ring (13) into smoker door (2). Secure in place with wing nut (H).

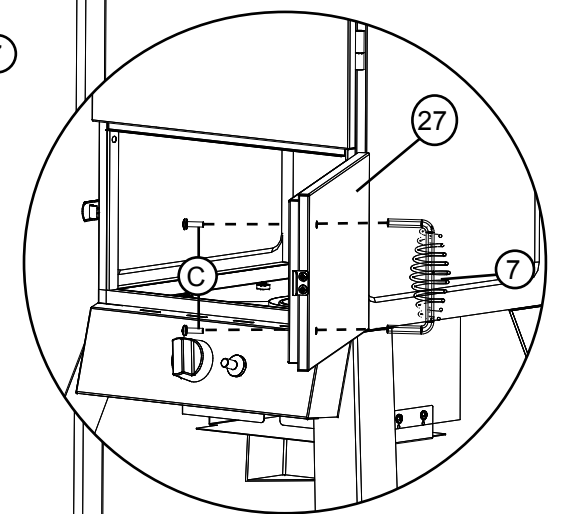


STEP 10
Attach body handle (8) to smoker body (1) using screws (F) as shown.



STEP 12
Insert door handle (7) into large smoker door (2). Secure using screws (C).

Repeat step for small smoker door (27).



Free Manuals Download Website

<http://myh66.com>

<http://usermanuals.us>

<http://www.somanuals.com>

<http://www.4manuals.cc>

<http://www.manual-lib.com>

<http://www.404manual.com>

<http://www.luxmanual.com>

<http://aubethermostatmanual.com>

Golf course search by state

<http://golfingnear.com>

Email search by domain

<http://emailbydomain.com>

Auto manuals search

<http://auto.somanuals.com>

TV manuals search

<http://tv.somanuals.com>