



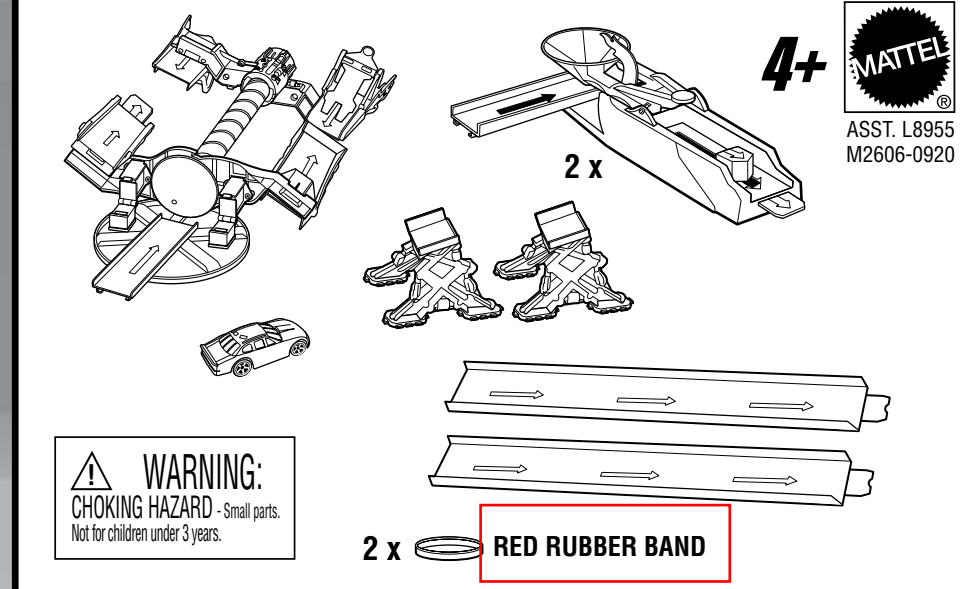
READY-MADE STUNTS!
CONNECT THEM ALL!

SPIRAL SPIN-OUT™ STUNT PACK

INSTRUCTIONS

Please keep these instructions for future reference as they contain important information.

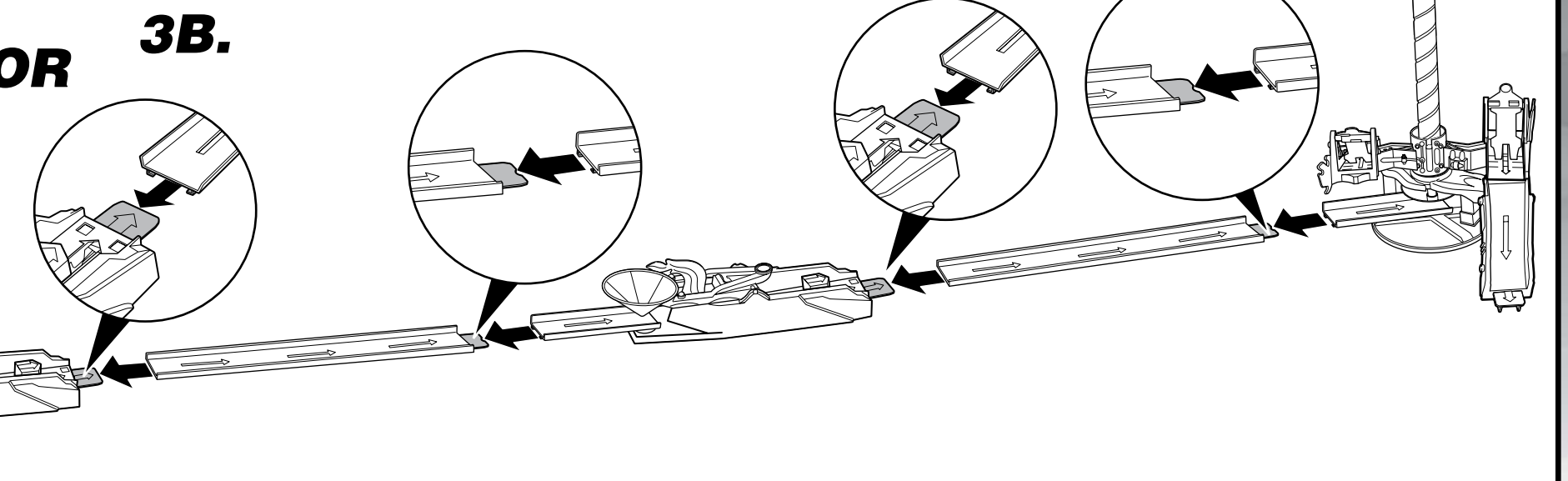
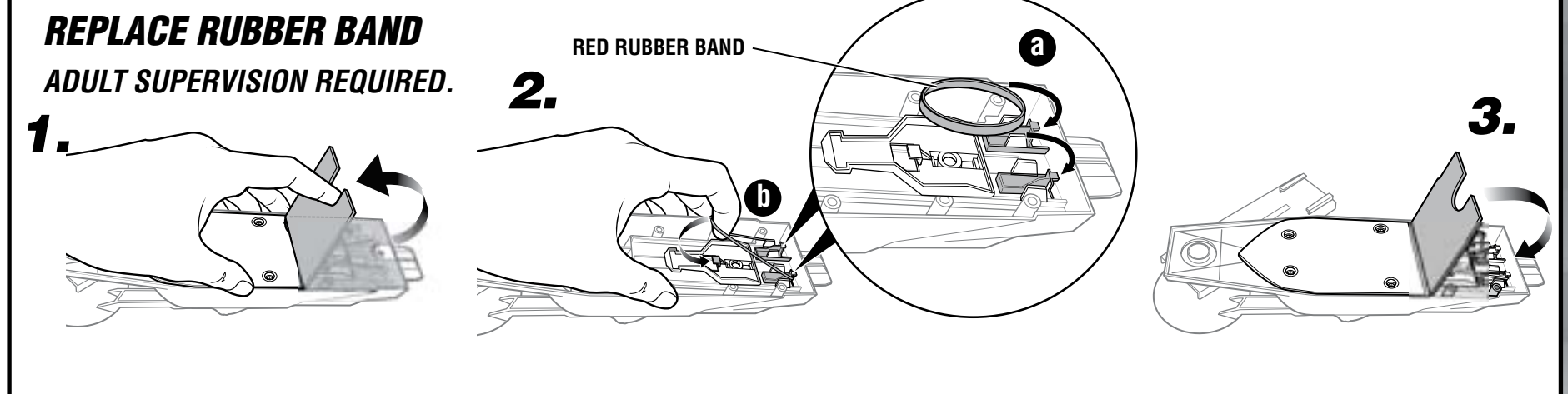
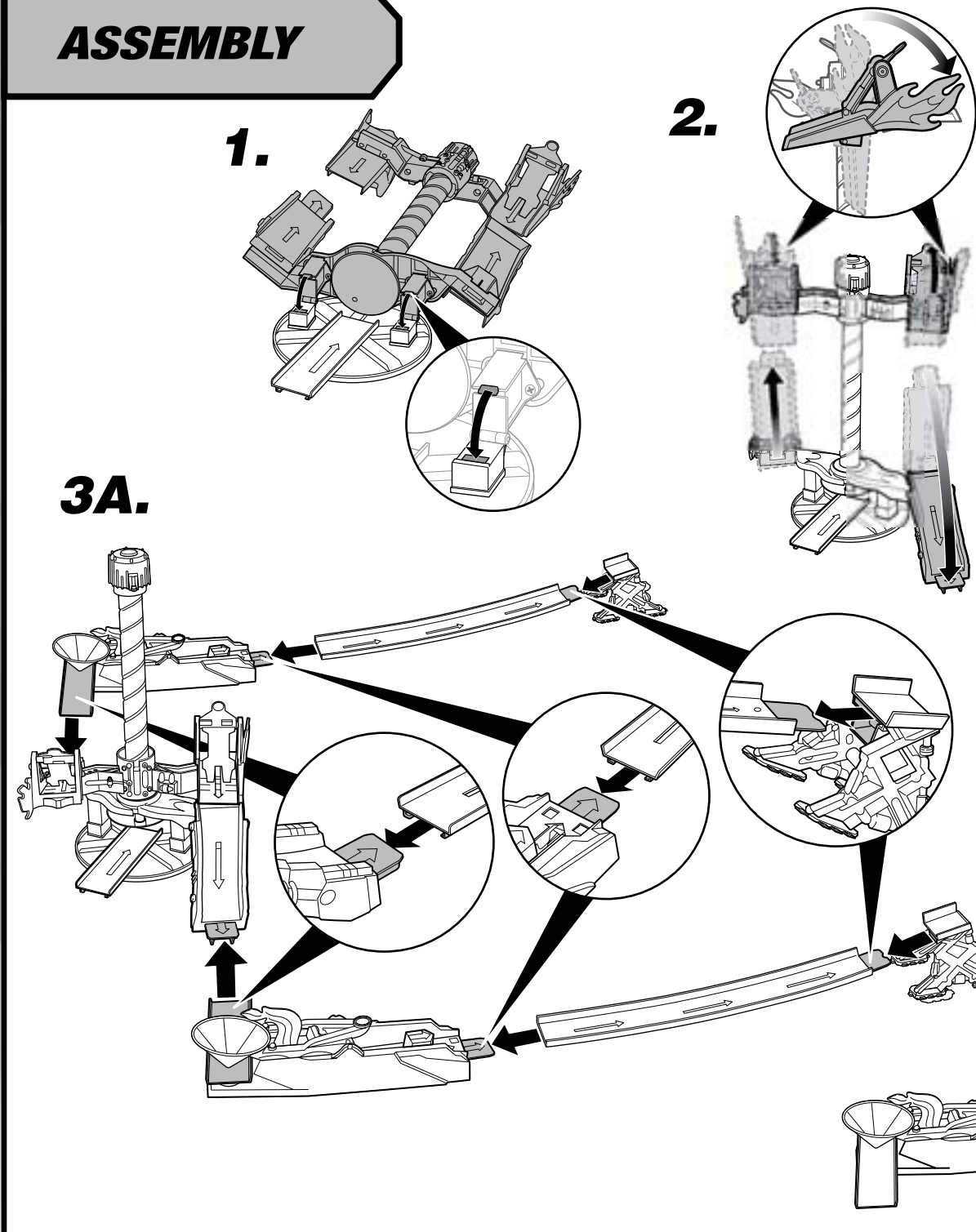
CONTENTS



© 2008 Mattel, Inc. All Rights Reserved.

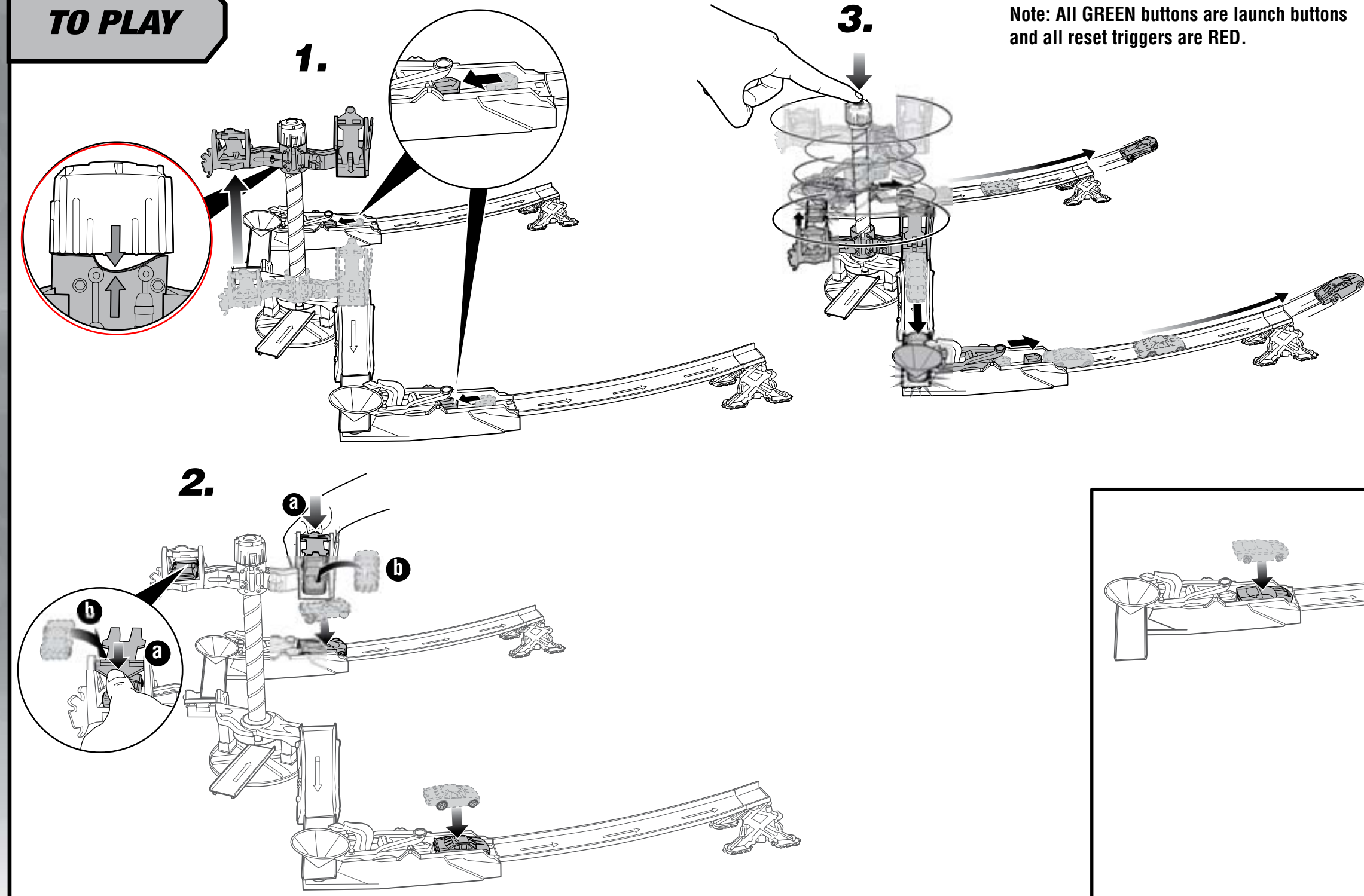
Mattel, Inc., 353 Continental Blvd., El Segundo, CA 90245 U.S.A. Consumer Relations 1 (800) 524-8697
 service.mattel.com • Mattel Canada Inc., Mississauga, Ontario L5R 3H2. You may call us free at 1-800-524-8697.
 • Mattel U.K. Ltd., Vanwall Business Park, Maidenhead SL6 4UB, Helpline 01628500303 • Mattel Australia Pty. Ltd., Richmond, Victoria, 3121 Consumer Advisory Service - 1300 135 312 • Mattel East Asia Ltd., Room 1106, South Tower, World Finance Centre, Harbour City, Tsimshatsui, HK, China. • Diimport & Diedarkan Oleh: Mattel SEA Ptd Ltd.(993532-P) Lot 13.5, 13th Floor, Menara Lien Hoe, Persiaran Tropicana Golf Country Resort, 47410 PJ. Tel:03-78803817, Fax:03-78803867.

ASSEMBLY

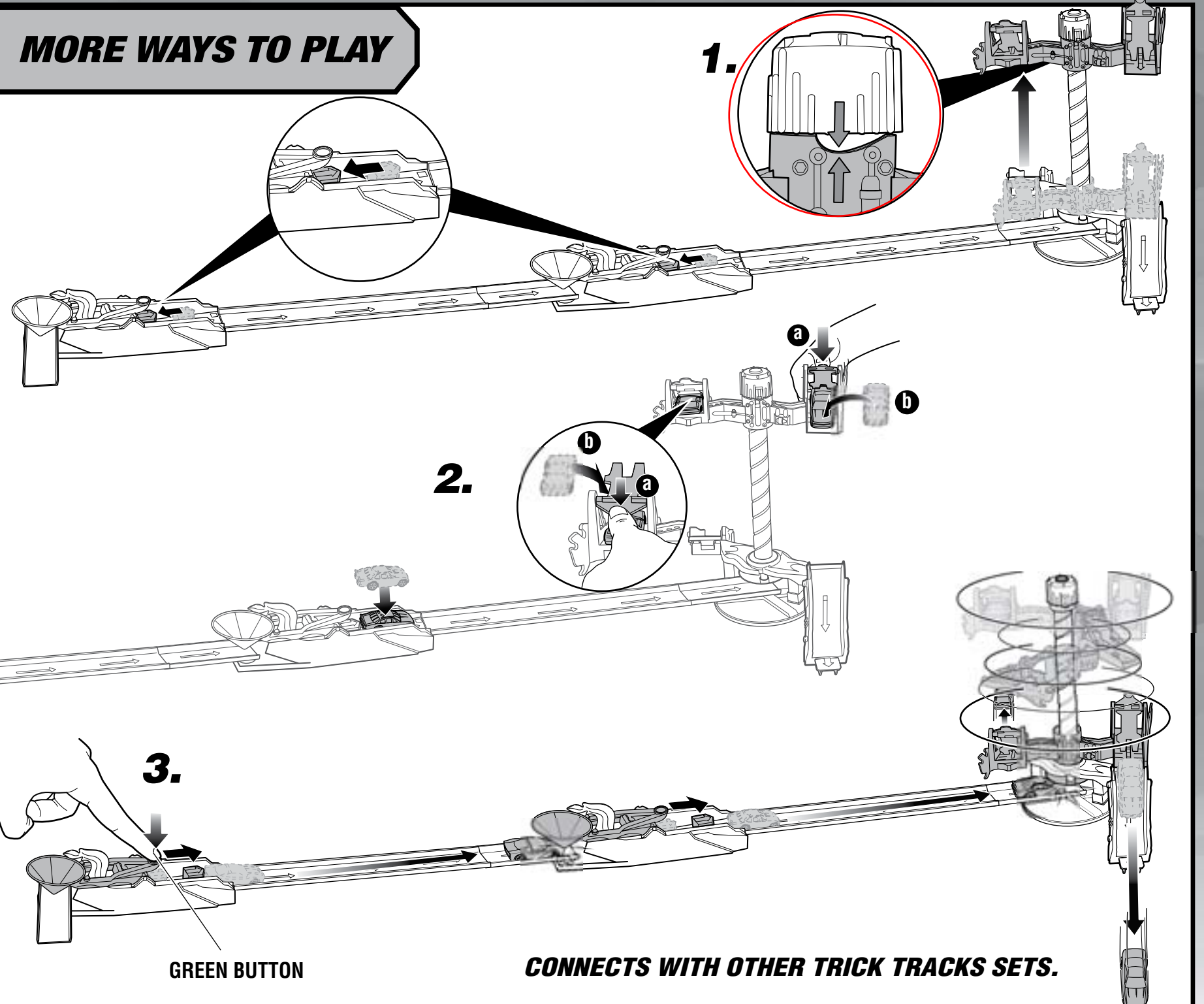


INSTRUCTION SHEET SPECIFICATIONS	
Toy No.:	M2606(ASST. L8955)
Part No.:	0920
Trim Size:	227W x 85.5H
Folded Size:	5.5"W x 8.5"H
Type of Fold:	accordion
# Colors:	1C + 1C
Colors:	Black
Paper Stock:	White Offset
Paper Weight:	80 lb.
EDM No.:	

TO PLAY



MORE WAYS TO PLAY



Free Manuals Download Website

<http://myh66.com>

<http://usermanuals.us>

<http://www.somanuals.com>

<http://www.4manuals.cc>

<http://www.manual-lib.com>

<http://www.404manual.com>

<http://www.luxmanual.com>

<http://aubethermostatmanual.com>

Golf course search by state

<http://golfingnear.com>

Email search by domain

<http://emailbydomain.com>

Auto manuals search

<http://auto.somanuals.com>

TV manuals search

<http://tv.somanuals.com>