

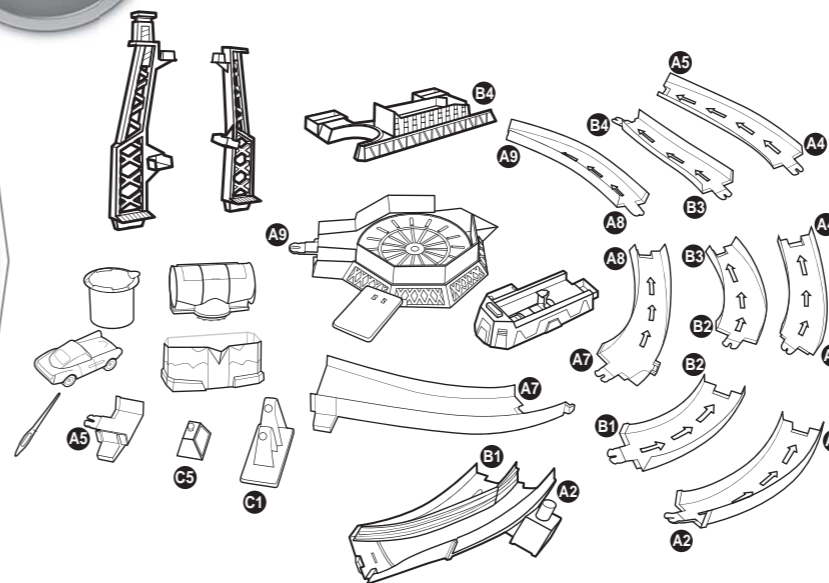


INSTRUCTIONS



Please keep these instructions for future reference as they contain important information.

CONTENTS



© 2011 Mattel, Inc. All Rights Reserved.
 Mattel, Inc., 636 Girard Avenue, East Aurora, NY 14052, U.S.A. Consumer Relations 1-800-524-8697. Mattel U.K. Ltd., Vanwall Business Park, Maidenhead SL6 4UB. Helpline 01628 500303. Mattel Australia Pty., Ltd., Richmond, Victoria, 3121. Consumer Advisory Service - 1300 135 312. Mattel East Asia Ltd., Room 1106, South Tower, World Finance Centre, Harbour City, Tsimshatsui, HK, China. Diimport & Diedarkan Oleh: Mattel SEA Ptd Ltd. (993532-P) Lot 13.5, 13th Floor, Menara Lien Hoe, Persiaran Tropicana Golf Country Resort, 47410 PJ. Tel: 03-78803817, Fax: 03-78803867.

V6235-0920



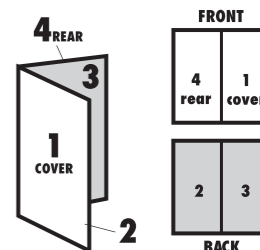
© Disney/Pixar

service.mattel.com

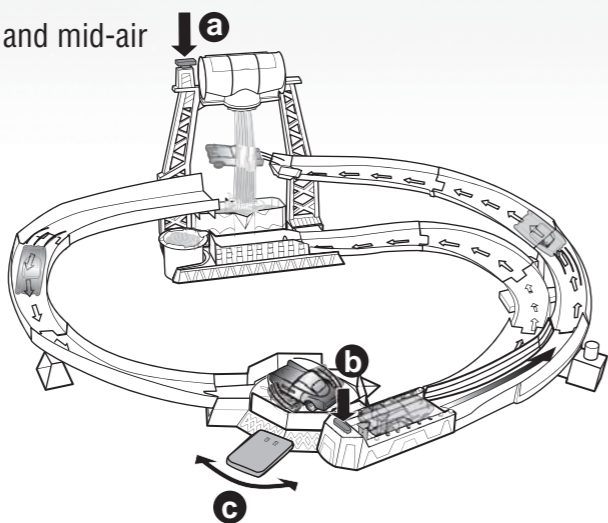
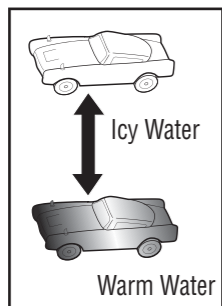
INSTRUCTION SHEET SPECIFICATIONS

Toy: _____ Cars TruClr Change Trkst
 Toy No.: V6235
 Part No.: 0920
 Lang. Code: DOM
 Trim Size: A4
 Folded Size: A5
 Type of Fold: 2 panel
 # colors: One
 Colors: Black
 Paper Stock: White Offset
 Paper Weight: 70 lb.
 EDM No.: 00

2 PANEL Folding Dummy

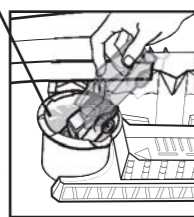


2 Launch for waterfall and mid-air color change!

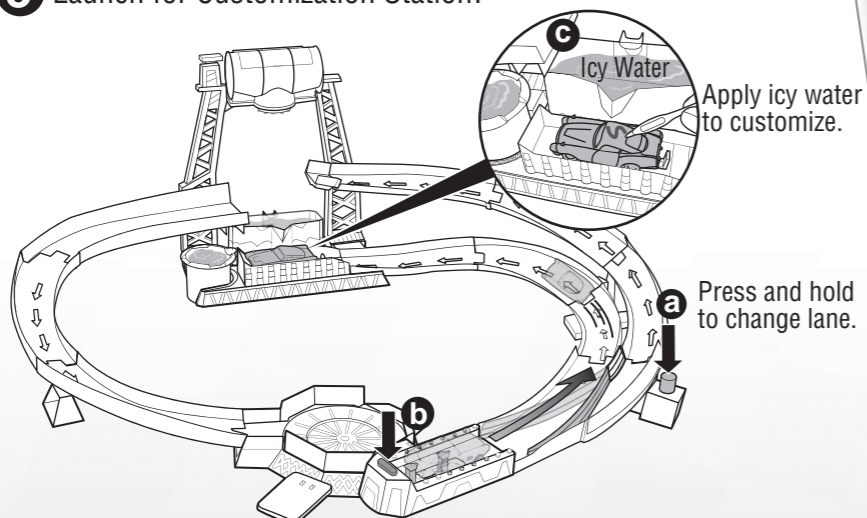


Dip car in warm water to change color back.
 To avoid burns, do not use water that is too hot, above 120°F/49°C.
 For best performance of color change feature, please use icy water under 50°F/10°C.

Warm Water



3 Launch for Customization Station!



Apply icy water to customize.

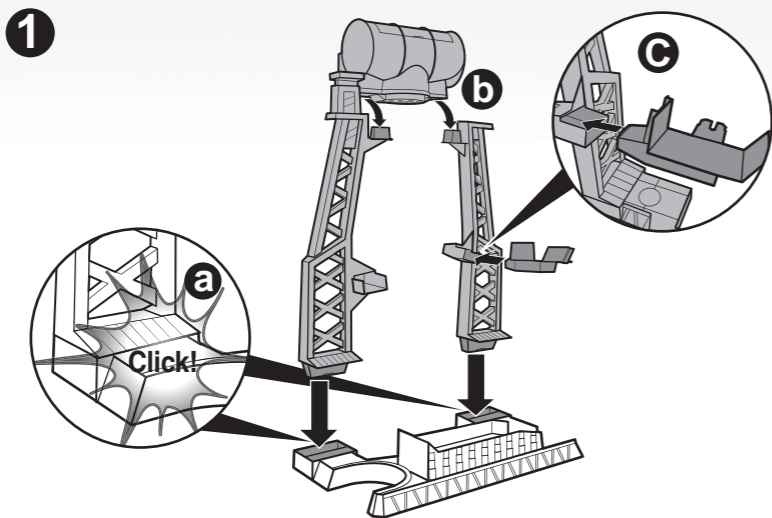
Press and hold to change lane.

Water toys sometimes get messy. Protect play surfaces before use. Drain, rinse, clean and dry all items thoroughly before storing. Color change will last longer if you do not expose this toy to intense heat or direct sunlight.

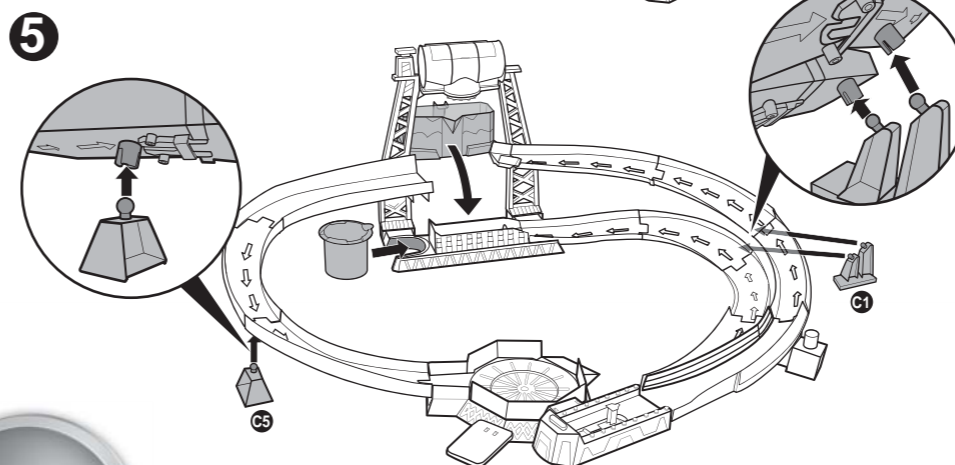
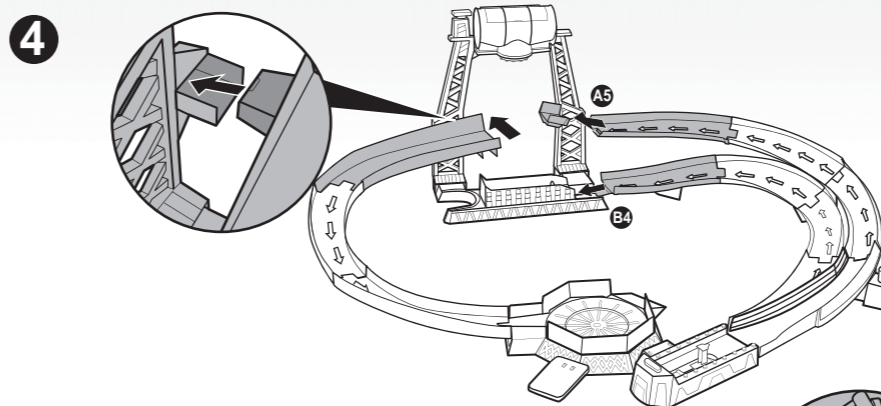
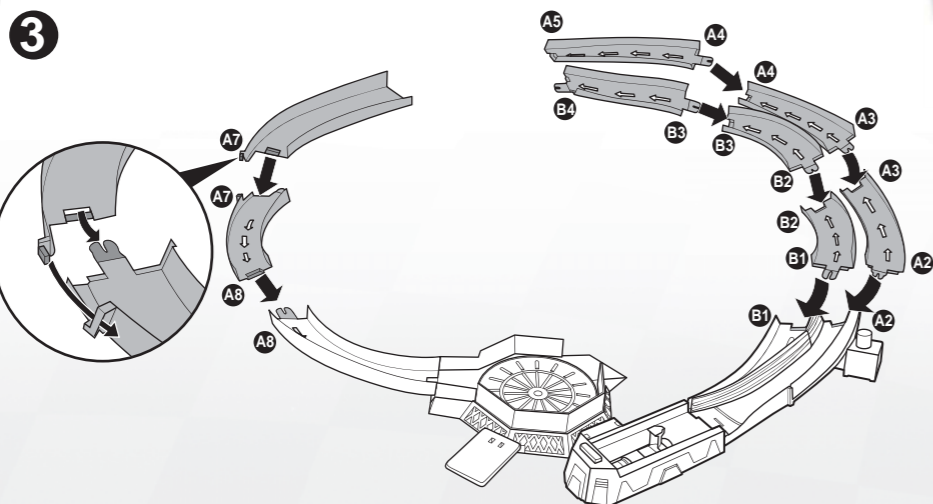
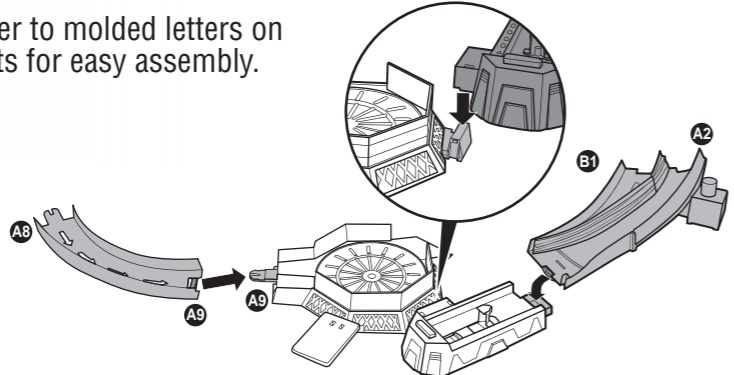
4 of 4 page

1 of 4 page

ASSEMBLY

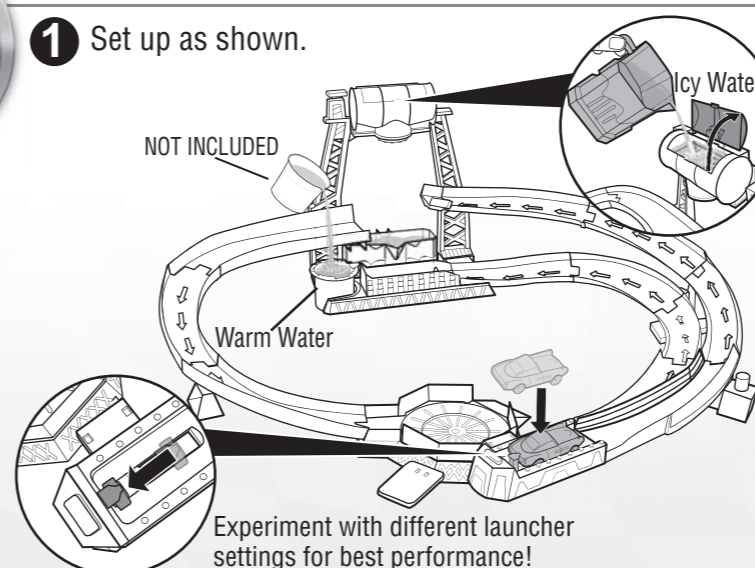


2 Refer to molded letters on parts for easy assembly.



TO PLAY

1 Set up as shown.



Experiment with different launcher settings for best performance!

2 of 4 page

3 of 4 page

Free Manuals Download Website

<http://myh66.com>

<http://usermanuals.us>

<http://www.somanuals.com>

<http://www.4manuals.cc>

<http://www.manual-lib.com>

<http://www.404manual.com>

<http://www.luxmanual.com>

<http://aubethermostatmanual.com>

Golf course search by state

<http://golfingnear.com>

Email search by domain

<http://emailbydomain.com>

Auto manuals search

<http://auto.somanuals.com>

TV manuals search

<http://tv.somanuals.com>