

LITHUANIA
 AS Greifto
 Parnu mnt. 139c
 11317 Tallinn
 Tel. (6) 56 33 06
 Fax (6) 56 33 11
 E-mail greifto@datanet.ee

LUXEMBOURG
 Dorel Benelux
 Brussels Int. Trade Mart
 Postbus/B.P. 301
 Aquarelle 366
 1000 Brussel/Bruxelles
 Tel. 0800 1 17 40
 Fax +31 492 578 122

MALAYSIA
 Planete Enfants Sdn. Bhd
 No. 23, Jalan SS 26/15
 Taman Mayang Jaya
 47301 Petaling Jaya
 Selangor, Malaysia
 Tel. 603-78035523
 Fax 603-78035523
 E-mail julia.lim.my@gmail.com

MALTA
 Rausi Company Limited
 J.P.R. Buildings
 Ta Zwejġ Street
 San Gwann Industrial Estate
 San Gwann SGN 09
 Tel. +356 21 44 56 54
 Fax +356 21 44 56 57
 E-mail rausi.info@rausi.com.mt

MAURITIUS
 Meem Trading
 38 Sir S. Ramgoolam Street
 Port Louis
 Mauritius
 Tel. 2302403632
 Fax 2302411589
 E-mail meem@intnet.mu

MÉXICO
 D'bebé SA de CV
 Girardón # 84
 Colonia Alfonso XIII, Mixcoac.
 México D.F. 01420
 Tel. (52)(55) 15-00-23-23
 Fax (52)(55) 55-98-51-08
 E-mail dbebe@dbebe.com.mx

NEDERLAND
 Dorel Netherlands
 P.O. Box 6071
 5700 ET Helmond
 Tel. 088 - 123 24 42

NEW ZEALAND
 IGC Dorel Pty Ltd
 655-685 Somerville Road
 Sunshine West, VIC 3020 Australia
 Tel. +61(3) 8311 5300
 Fax +61(3) 8311 5390
 E-mail sales@igcdorel.com.au

NORWAY
 BabyWorld DA (sales agent)
 Sukhumvit 25b
 N - 3057 Solbergelva
 Tel. 32 23 00 54 / 957 39 068
 Fax 32 23 03 12
 E-mail info@baby-world.no

NORWAY
 Dorel Netherlands
 P.O. Box 6071
 5700 ET Helmond
 The Netherlands

ÖSTERREICH
 Dorel Germany
 Vertrieb Österreich
 Augustinusstraße 9c
 D-50226 Frechen-Königsdorf
 Deutschland
 Tel. +49 2234 / 96 43 0
 Fax +49 2234 / 96 43 33

POLAND
 Poltrade Waletko
 Spolka Jawna
 41-500 Chorzow
 Ul. Legnicka 84/86
 Tel. (032) 346 00 81
 Fax (032) 346 00 82
 www.maxicosi.pl
 biuro@poltradewaletko.pl
 www.poltradewaletko.pl

PORTUGAL
 Dorel Portugal LDA
 Parque Industrial da Varziela
 Árvore, 4480 Vila do Conde
 Tel. 252 248 530
 Fax 252 248 531
 E-mail maxi-cosi@dorel-pt.com

ROMANIA
 SC Miniblu SRL
 Calea Rahovei, 266-268, corp 60
 Etaj 1; Axele A Si B, Stalpii 15-16
 Bir. 104-114; Secotr 5, Bucuresti
 Tel. +40 21 404 14 00
 Fax +40 21 404 14 01
 E-mail office@miniblu.ro

RUSSIA
 Carber Porifera
 107392 Moskva, Russia
 1aã Pugachevskaya u. , 17
 1st Pugachevskaya str. 17
 RUS-107392 Moscow
 Tel. +8(499) 161 25 91
 Fax +8(499) 161 26 48
 E-mail maxi-cosi@carber.ru

SINGAPORE
 B.I.D. Trading PTE Ltd.
 69, Kaki Bukit Ave 1
 Shun Li Industrial Park
 Singapore 417947
 Tel. +65 68441188
 Fax +65 68441189
 E-mail sales@babyhyperstore.com

SLOVAKIA
 LIBFIN SK s.r.o.
 Soltésovej 12
 811 08 Bratislava
 Tel. +421 250 219 140
 Fax +421 250 219 240
 Email info@libfin.sk
 www.libfin.sk

SLOVENIA
 Baby Center d.o.o.
 Letališka c. 3c
 Ljubljana
 Tel. 00386 01 546 64 30
 Fax 00386 01 546 64 31
 E-mail uprava@baby-center.si
 www.grupbaby.com

SOUTH AFRICA
 Anchor International
 12 Kimberlite Road, Theta Ext.5
 Boyssens Reserve,
 Johannesburg, 2091
 P.O.Box 546, Crown Mines,
 Johannesburg, 2025
 Tel. (011) 835 - 2520
 Fax (011) 835 - 3718
 E-mail anc.int@mweb.co.za

SOUTH KOREA
 YK Trading Co., Ltd.
 Level 5, Youngkwang Bldg, 773-3,
 Yeoksam-dong/Kangnam-gu,
 Seoul, South of Korea
 Tel. 82-23452-8700
 Fax 82-23452-8660
 E-mail international@yk-korea.com
 www.sbaby.co.kr

SWEDEN
 Amvina
 Box 7295
 187 14 Täby
 Sweden
 Tel. +46 (0)8 732 88 50
 Fax +46 (0)8 732 8851
 E-mail info@amvina.se
 www.amvina.se

SWEDEN
 Dorel Netherlands
 P.O. Box 6071
 5700 ET Helmond
 The Netherlands

SWITZERLAND
 Dorel Juvenile Switzerland SA
 Chemin de la Colice 4
 1023 Crissier
 Tel. 0041 (0) 21 661 28 40
 Fax 0041 (0) 21 661 28 45
 E-mail info.suisse@ch-dorel.com

TAIWAN
 Topping Prosperity Inc.
 6F, No.49, Lane 76,
 Ruey-Guang Road,
 Ney-Hwu District, Taipei, Taiwan
 Tel. 02-87924158
 Fax 02-87911586
 E-mail topping2@ms21.hinet.net

THAILAND
 Diethelm
 Teglværksveien 25b
 Bangkok
 Prakanong
 10250 Bangkok
 Tel. 662 332 6060-89
 Fax 662 332 6127
 anuchida.i@dksh.com

TURKEY
 Grup LTD.
 Kayisdagi Cad. No:7
 Küçükbakkalköy-İSTANBUL
 Tel. 0216 573 62 00 (pbx)
 Faks 0216 573 62 09
 E-mail destek@grupbaby.com
 www.grupbaby.com

UKRAINE
 Europroduct
 4th floor, 53b
 Arnauskaya St
 65012 Odessa
 Tel. 00 380 482 227 338
 Fax 00 380 482 345 812
 E-mail europroduct@te.net.ua

UKRAINE
 Amigo Toys
 bul. Shevchenko 29
 Donetsk 83017
 Tel. 00380-62-3353478
 Fax 00380-62-3859974
 E-mail info@amigotoys.com.ua

UNITED KINGDOM
 Dorel U.K.
 Hertsmere House
 Shenley Road
 Borehamwood, Hertfordshire WD6
 1TE
 Tel. (020) 8 236 0707
 Fax (020) 8 236 0770

UNITED STATES
 Dorel Juvenile Group, Inc.,
 2525 State St., Columbus,
 IN47201-7494
 Tel. (800) 951-4113

Maxi-Cosi Tobi

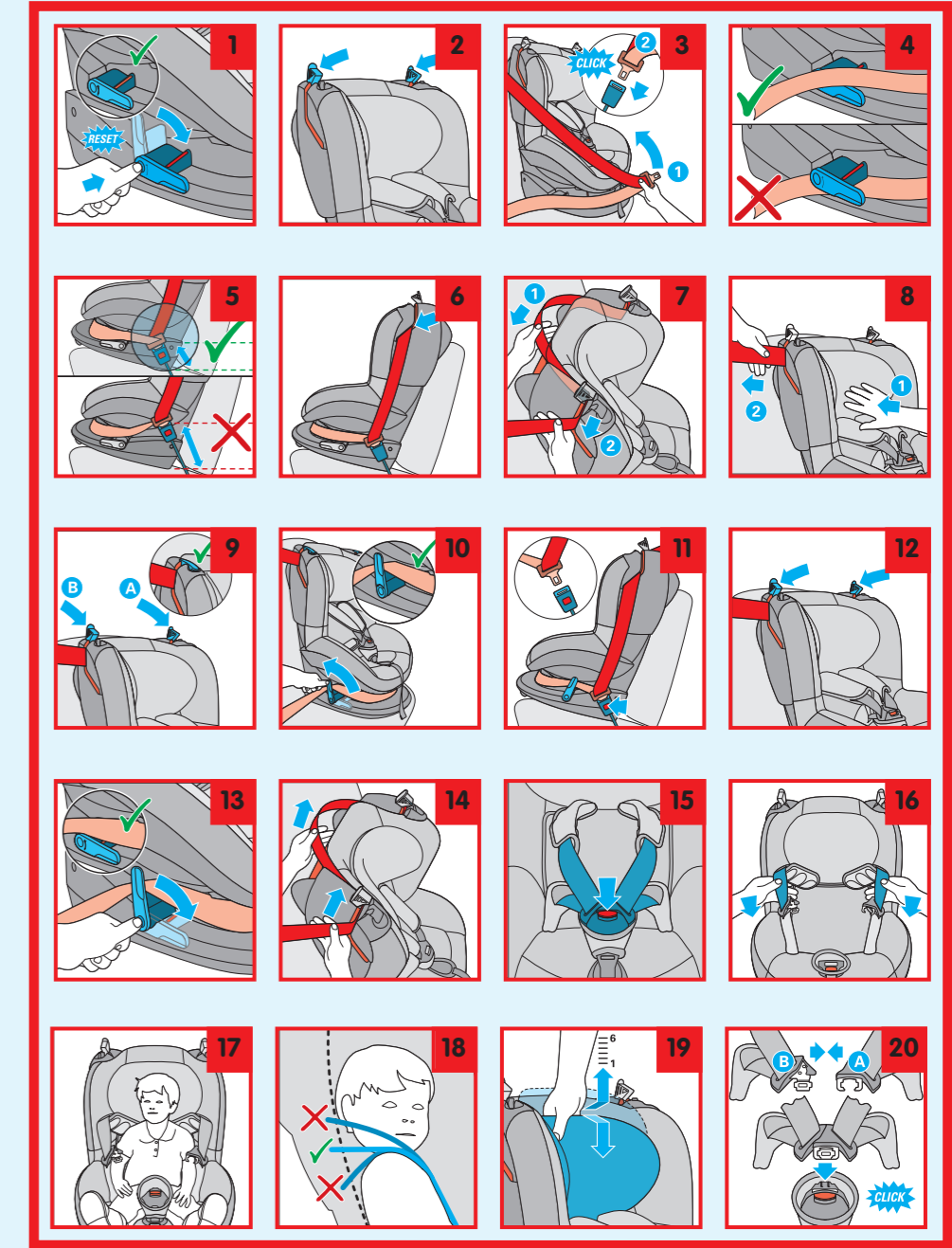


- GB Instructions for use/Warranty
- F Mode d'emploi/Garantie
- D Gebrauchsanweisung/Garantie
- NL Gebruiksaanwijzing/Garantie
- E Modo de empleo/Garantía
- I Istruzioni per l'uso/Garanzia
- P Modo de emprego/Garantia

www.maxi-cosi.com

Maxi-Cosi Tobi

GB	Instructions for use / Warranty	7 - 15
F	Mode d'emploi / Garantie	16 - 25
D	Gebrauchsanweisung / Garantie	26 - 35
NL	Gebruiksaanwijzing / Garantie	36 - 44
E	Modo de empleo / Garantía	45 - 54
I	Istruzioni per l'uso / Garanzia	55 - 64
P	Modo de emprego / Garantia	65 - 74



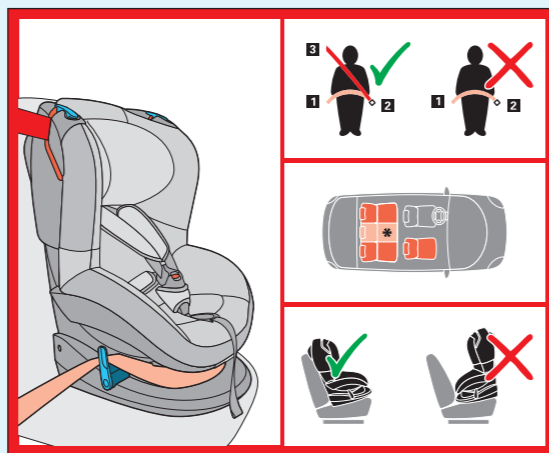
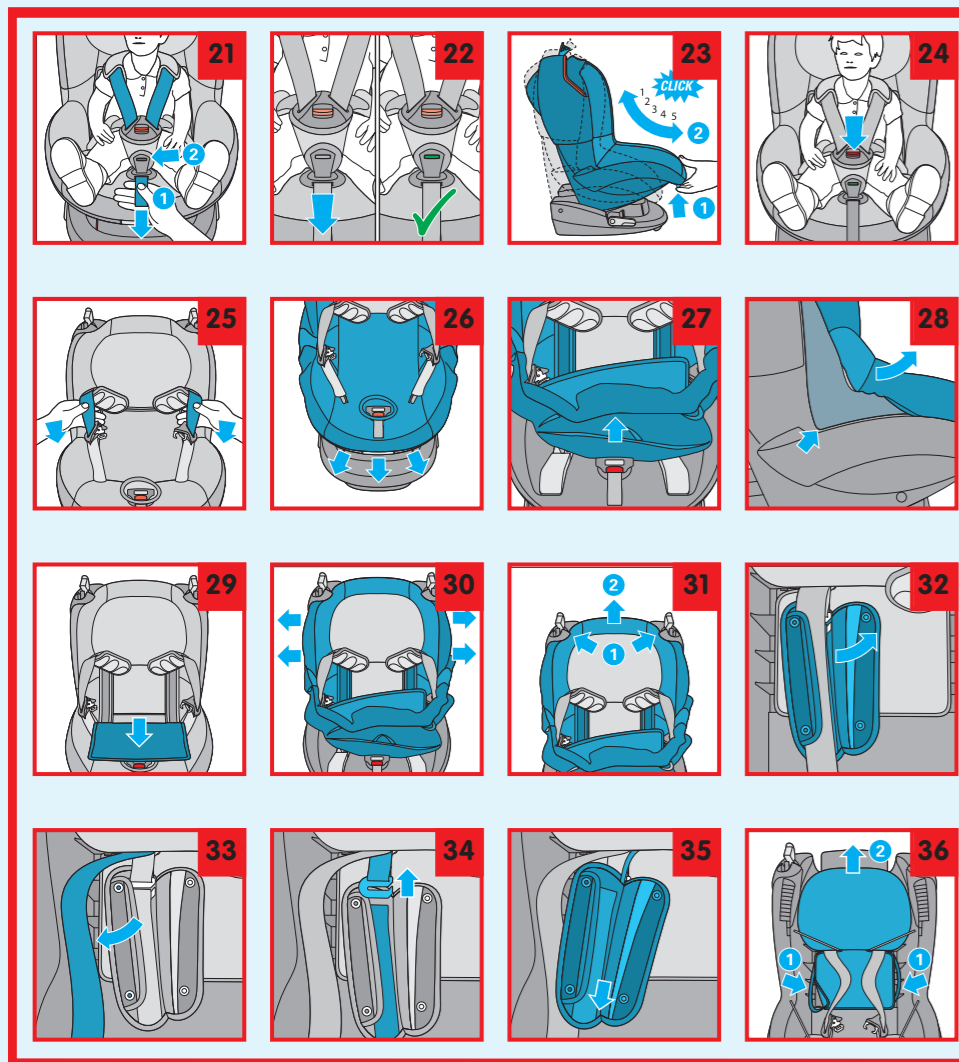
The safe world of Maxi-Cosi



Contents

Illustrations

www.maxi-cosi.com



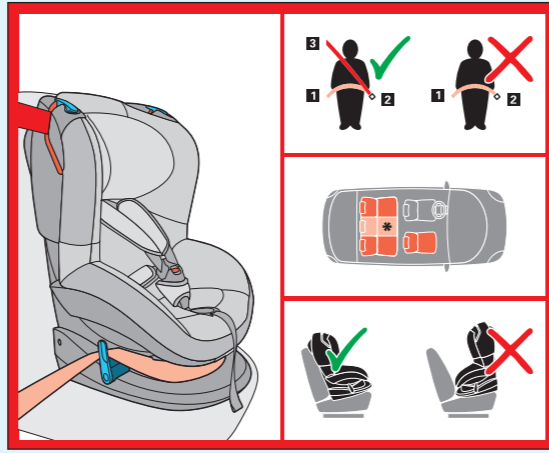
GB	F	D	NL
<ul style="list-style-type: none"> Installation with 3-point belt Installation with 2-point belt 	<ul style="list-style-type: none"> Fixation avec ceinture à 3 points Fixation avec ceinture à 2 points 	<ul style="list-style-type: none"> Befestigung mit Dreipunkt-Sicherheitsgurt Befestigung mit Zweipunkt-Sicherheitsgurt 	<ul style="list-style-type: none"> Bevestiging met 3-punts gordel Bevestiging met 2-punts gordel
<ul style="list-style-type: none"> On passenger seat On back seat left/right On back seat centre 	<ul style="list-style-type: none"> Sur le siège passager Sur la banquette arrière à gauche/droite Sur la banquette arrière au milieu 	<ul style="list-style-type: none"> Auf dem Beifahrersitz Auf dem Rücksitz links/rechts Auf den Rücksitz in der Mitte 	<ul style="list-style-type: none"> Op de passagiersstoel Op achterbank links/rechts Op achterplaats midden
<ul style="list-style-type: none"> Rear-facing Forward-facing Marks for belt positioning 	<ul style="list-style-type: none"> Dos à la route Face à la route Marque de passage de ceinture 	<ul style="list-style-type: none"> Gegen die Fahrtrichtung In Fahrtrichtung Gurtverlauf Markierung 	<ul style="list-style-type: none"> Tegen rijrichting in Met rijrichting mee Gordelloop marking
<ul style="list-style-type: none"> Frontal airbag Side airbag 	<ul style="list-style-type: none"> Coussin autogonflable frontal Coussin autogonflable latéral 	<ul style="list-style-type: none"> Frontairbag Seitenairbag 	<ul style="list-style-type: none"> Frontal airbag Side airbag

* Only with presence of a 3-point belt on the middle seat on the back seat.

* Uniquement si la place centrale de la banquette arrière est équipée d'une ceinture à 3 points.

* Vorausgesetzt, dass auf dem mittleren Sitz des Rücksitzes ein Dreipunkt-Sicherheitsgurt vorhanden ist.

* Mits er een 3-punts gordel aanwezig is op de middelste zitplaats van de achterbank.



E	I	P
<ul style="list-style-type: none"> Sujeción con cinturón de seguridad de 3 puntos Sujeción con cinturón de seguridad de 2 puntos 	<ul style="list-style-type: none"> Installazione con cintura a 3 punti Installazione con cintura a 2 punti 	<ul style="list-style-type: none"> Instalação com cinto de 3 pontos de fixação Instalação com cinto de 2 pontos de fixação
<ul style="list-style-type: none"> En el asiento del copiloto En el asiento trasero derecho/izquierdo En el asiento central trasero 	<ul style="list-style-type: none"> Sul sedile del passeggero Sul sedile posteriore sinistro/destro Sul sedile posteriore al centro 	<ul style="list-style-type: none"> No banco de passageiros No banco traseiro (direito/esquerdo) No banco intermédio traseiro
<ul style="list-style-type: none"> En sentido contrario a la marcha En el sentido de la marcha Pasaje rojo del cinturón del automóvil 	<ul style="list-style-type: none"> In senso inverso di marcia In senso di marcia Indicatori per il passaggio della cintura 	<ul style="list-style-type: none"> Sentido contrário à marcha Sentido da marcha Marcação de passagem do cinto do automóvel
<ul style="list-style-type: none"> Airbag frontal Airbag lateral 	<ul style="list-style-type: none"> Airbag frontale Airbag laterale 	<ul style="list-style-type: none"> Airbag frontal Airbag lateral

* Sólo en asientos traseros provistos de cinturón de seguridad de 3 puntos en el asiento central.

* Solo in presenza di una cintura a 3 punti sul sedile posteriore centrale.

* Apenas se for equipado com um cinto de segurança de 3 pontos de fixação no banco intermédio traseiro.

- ARGENTINA**
Bebehaus S.A.
Guatemala 4831 - Ciudad Autónoma de Buenos Aires C1425BUO
Tel. + 54 (11) 4776-6954
Fax + 54 (911) 6265 0665 / + 54 (911) 5050 2339
E-mail info@bebehaus.com.ar www.bebehaus.com.ar
- AUSTRALIA**
IGC Dorel PTY Ltd
655-685 Somerville Road Sunshine West, VIC3020
Tel. +61 (3) 8311 5300
Fax +61 (3) 8311 5390
E-mail sales@igcdorel.com.au
- BELGIE/BELGIQUE**
Dorel Benelux
Brussels Int. Trade Mart Postbus/B.P. 301 Aquarelle 366
1000 Brussel/Bruxelles
Tel. 0800 1 17 40
Fax +31 492 578 122
www.maxi-cosi.com
- BRASIL**
Giro Imp&Exp Ltda - BBTrends
AL Gabriel Monteiro da Silva, 235 - Jardins
Sao Paulo - SP - Brasil
Cep:01.441-000
Tel. +55 11 3377 9200
E-mail BBTrends@BBTrends.com.br www.BBTrends.com.br
- BULGARIA**
Nedelchev & Nedelchev Ltd. compl. "Gotze Delchev"
Ul. Silivria 16
Sofia 1404
Tel. 02-958 26 29
Fax 02-958 26 51
E-mail info@nn-bg.com www.nn-bg.com
- CANADA**
Dorel
Dorel Distribution
873 Hodge
St. Laurent
QCH4N 2B1
- CHILE**
Mundo petit
Av. Nueva Costanera 3986, Interior, Vitacura
Santiago, Chile
Tel. +56 (2) 415 9103 / 415 9864
Tel. +56 (8) 294 9628
Fax +56 (2) 356 4749
http://www.mundopetit.com
- COLOMBIA**
Cangurus Mom's and babies
Cra. 7 A No. 121 - 33 Bogotá - Colombia
Tel. +57 1 6127257
Fax +57 1 6127257
E-mail info@cangurus.com.co
- CROATIA**
Media Commerce d.o.o.
CMP Savica Sanci
Majstorska 5
10000 Zagreb
Tel. 00385 1 2406-500
Tel. 00385 1 2406-501
Fax 00385 1 2406-499
E-mail media-commerce@zg.htnet.hr www.media-commerce.com.hr
- CROATIA**
Magma d.d.
Baštijanovca 52a
10000 Zagreb, Croatia
Tel. +385 1 3656 888
Fax +385 3656 800
- CURACAÑO**
Mom & Co.
Promenade Shopping Center C3
Tel. 00 5999 7360 755
Fax 00 5999 7360 744
E-mail info@momandco.com
- CYPRUS**
Xenofon Demetriades and Son Ltd
Digeni Akrita 39H,
1070 Nicosia, Cyprus.
Tel. 00357 99620137
Fax 00357 22750463
E-mail gkzorpas@cytanet.com.cy www.demetriades.com.cy
- DANMARK**
Babysam A.m.b.A.
Egelund A 27-29
6200 Aabenraa
Tel. 74 63 25 10
Fax 74 63 25 11
E-mail babysam@babysam.dk
- DEUTSCHLAND**
Dorel Germany
Augustinusstraße 9c
50226 Frechen-Königsdorf
Tel. 0049 (0) 2234 / 96 43 0
Fax 0049 (0) 2234 / 96 43 33
- DUBAI**
Golden Toys
P.O.BOX: 6761
U.A.E.
Tel. +9714 - 226 8448
Tel. +9714 - 225 1166
Fax +9714 - 225 7336
E-mail goldtoy@emirates.net.ae
- DUBAI**
DutchKid FZ Co.
P.O.Box 333741
Dubai,
United Arab Emirates
Tel. +971 4 341 7500
Fax +971 4 341 7501
- ESTONIA**
AS Greifto
Pärnu mnt. 139C
11317 Tallinn
Tel. (6) 56 33 06
Fax (6) 56 33 11
E-mail greifto@datanet.ee
- FINLAND**
Lastentarvike
Sarkatie 3
1720 Vantaa
Tel. +358 985205526
Fax +358 985205426
- FRANCE**
Dorel France
Z.I. / 9 bd du Poitou - BP 905
49309 CHOLET CEDEX
Tel. 00-33-2-41-49-23-23
Fax 00-33-2-41-56-17-13
- GREECE**
Dionic SA
95 Aristotelous Str
13671 Axarnes
Athens
Tel. +3 210 2419582
Fax +3 210 2404290
E-mail info@unikid.gr
- GUATEMALA**
Websolutions, S.A. 20
calle 24-60 Zona 10
Ofibodega No. 9
Guatemala City 01010
Tel. 502 2369-4726
Tel. 502 5200-0867
- HONG KONG**
Chup Shing Trading Co.Ltd.
Block A, 7/F, Unit J
25-31 Kwai Fung Crescent
Marvel Industrial Building
Kwai Chung N.T.
Tel. (852) 24 22 21 01
Fax (852) 24 29 10 92
- HUNGARY**
Reontra Kft.
Badacsonyi u. 24
1113 Budapest
Tel. (01) 209 26 32/209 26 33
Fax (01) 209 26 34
E-mail reontra@reontra.hu
- ICELAND**
Fífa ehf.
Husgagnahöllinn
Bildshofda 20
IS-110 Reykjavik
Tel. +354-5522522
E-mail fifa@fifa.is
- INDONESIA**
PT. Sumber Aneka Karya Abadi
JL. Batu Ceper No. 2 B-C-E
Jakarta 10120
Tel. +62-21-3854444
Fax +62-21-3442617
E-mail sakaindonesia@gmail.com
- IRAN**
Nowrouz Nia
Mirdamad Ave.-Valiasr Ave.
Eskan-shopping Center
No. 13 Eskan - Maxi Cosi
IRAN - 19 696 Tehran
Tel. + 982188787378
Fax + 982188787378
E-mail maxicosinia@yahoo.com
- IRELAND**
Dorel Ireland Ltd
All n one Ltd
42 Western Parkway
Business Park
Lower ballymount Road
Dublin 12
Ireland
Tel. 353-(1)4294055
Fax 353-(1)4294010
- ISRAEL**
Shesek Ltd.
288 Halechi Street
Bnei Brak 51200
Israel
Tel. 972 3 5775 133
Fax 972 3 5775 136
E-mail einat_a@shilvav.com
- ITALIA**
Dorel Italia
Via Verdi, 14
24060 Telgate (Bergamo)
P.I. IT 02304040161
Tel. 035 44 21 035
Fax 035 44 21 048
E-mail info@it-dorel.com
- JAPAN**
GMP International Co.Ltd.
1-19-4, Yoyogi-Park Bldg.
Tomigaya, Shibuya-Ku
Tokyo, 151-0063
- LATVIA**
AS Greifto
Pärnu mnt. 139C
11317 Tallinn
Tel. (6) 56 33 06
Fax (6) 56 33 11
E-mail greifto@datanet.ee
- LEBANON**
Gebran Geahchan & Sons
Azar Building
Horch Tabet
P.O.Box 55134
Sin El Fil
Tel. 961 1 482369
Fax 961 1 486997

Dear parents

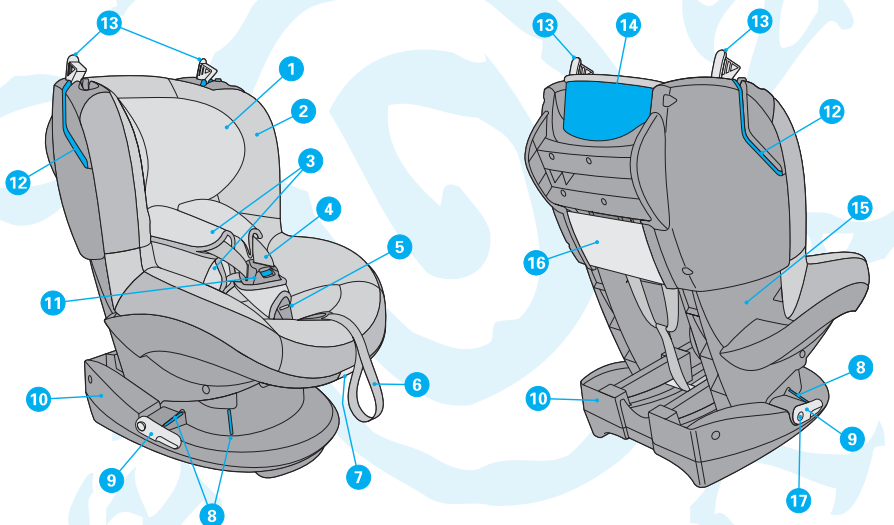
Congratulations on your purchase of the Maxi-Cosi Tobi.

During the development of the Maxi-Cosi Tobi, we paid special attention to safety, ease of use, comfort and design. As a result of this, this product fulfils the strictest safety requirements.

Studies have shown that a large percentage of child car seats are not used correctly. It is therefore important that you take the time to read these instructions through carefully. The optimum safety of your child is only guaranteed if the Maxi-Cosi Tobi is used correctly.

Continuous research by our product development and marketing departments, both by intensive cooperation with test institutes and in consultation with consumers and customers, ensures that we remain at the forefront in the area of child safety in the car. If you have any questions or remarks concerning the use of the Maxi-Cosi Tobi, we will be happy to hear from you.

Dorel (address and telephone number on the back of this instruction manual)



- | | |
|--|--|
| 1. Headrest | 10. Frame |
| 2. Fabric cover | 11. Belt buckle |
| 3. Belt pads | 12. Red belt slot for shoulder part of seat belt |
| 4. Shoulder belts - harness system | 13. Belt clamp for car seat |
| 5. Belt tension indicator | 14. Red marks back of seat belt |
| 6. Adjustment belt for belt system | 15. Shell |
| 7. Adjustment handle shell | 16. Storage compartment for instruction manual |
| 8. Red marks for hip part of seat belt | 17. Release button belt tensioner(s) |
| 9. Tensioner(s) for seat belt | |

English

GB

SPECIAL FEATURES

To reduce the likelihood of incorrect use and to improve ease of use the Maxi-Cosi Tobi has the following unique features:

- A harness belt system that "springs" open itself as soon as the belt buckle is opened.
- An indicator on the belt buckle that indicates by means of colour when the belts are properly tightened.
- A belt buckle that also acts as the control button for the belt system; i.e. when the buckle is opened, the control of the shoulder belts is automatically released and the belts can be made longer. When the buckle is closed, the shoulder belts can be tightened until the indicator is "GREEN". No further operation of buttons is required!

CONTENTS

1. IMPORTANT: READ FIRST! 8

2. INSTALLATION AND REMOVAL OF THE MAXI-COSI TOBI 9

3. PLACING YOUR CHILD IN THE MAXI-COSI TOBI 10

 3.1 Using the harness system 10

 3.2 Seat positions (Adjusting the seat into sitting and reclining positions) 11

 3.3 Taking the child out 11

4. MAINTENANCE 11

 4.1 General 11

 4.2 Fabric cover 12

 4.3 Belt buckle functioning and cleaning 12

5. GENERAL INSTRUCTIONS 13


6. WASTE SEPARATION 13


7. NEXT STAGE CHILD CAR SEATS 14

8. WARRANTY 14

9. QUESTIONS 15

1. IMPORTANT: READ FIRST!

 Please read these user instructions carefully and keep them for future reference. If these instructions are not followed, the safety of a child may be severely endangered.




 Only use original accessories and parts that have been endorsed by the manufacturer. Do not make any modifications to the product. Contact your supplier or importer if you have any complaints or problems.

Approved according to ECE R44/04			
	Group	Body weight of child	Age
Maxi-Cosi Tobi	1	9 -18 kg	Approx. 9 months – 3.5 years

English

2. INSTALLATION AND REMOVAL OF THE MAXI-COSI TOBI

Installation with 3-point belt (follow red colour marks on product)

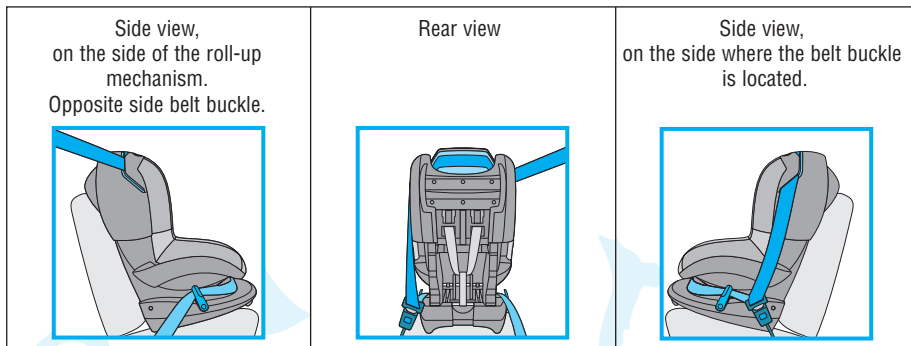
-  Only use the Maxi-Cosi Tobi on a front-facing seat that has been provided with an automatic 3-point belt, provided it has been approved according to the ECE R16 standard or similar.
-  Correct fitting of the car seat belt is essential for the safety of your child. The car seat must be attached in the correct sequence along the red marks on the Maxi-Cosi Tobi, for this see also the sticker on the side of the Maxi-Cosi Tobi. **Never fit the seat belt in a way other than that described!**
-  Remove the headrest of the seat where the Maxi-Cosi Tobi is to be used in the car if it is in the way. Do not forget to put the headrest back when the seat is used again.

GB

A. Installation

- **NOTE!** Lock fold-down rear seats before installing the Maxi-Cosi Tobi.
- **NOTE!** In some cases, the seat belts are positioned too far forward. This will make proper installation impossible. Try a different seat in this case.
- 1** • **NOTE!** Before the seat is installed, make sure that the belt tensioners are in the correct position by pressing the release button (1). The belt tensioners should be horizontal.
- 2** • **NOTE!** Make sure that both seat belt clamps are open (2).
- Place the Maxi-Cosi Tobi on the car seat.
- 3 4** • Place the seat belt for the Maxi-Cosi Tobi along and **over** (4) the belt tensioners. Make sure that the hip belt passes under the shell, over the red belt marks (3,1).
- 3** • Click the seat belt into the belt buckle of the car (3,2).
- 5** • **NOTE!** It may be the case that the buckle part of the seat belt is so long that the buckle protrudes above the frame of the Maxi-Cosi Tobi. If this is so, the Maxi-Cosi Tobi cannot be secured properly. In that case, choose another position in the car (5). Moreover, it may break the buckle!
- 6** • Slide the shoulder part of the seat belt, on the side where the belt buckle of the car is also located, through the red belt slot on the backrest (6).
- 7** • Then pass the shoulder part along the red marks for the shoulder belt on the back of the Maxi-Cosi Tobi (7).
- 7** • Slide this through the second red belt slot to the outside (7,2).
- 8** • Push the Maxi-Cosi Tobi firmly into the car seat (8,1) while at the same time pulling the shoulder belt tight (8,2). The Maxi-Cosi Tobi is now securely in place in the car. Double-check this!
- 9** • First shut the belt clamp on the belt buckle side and then that on the other side, in the direction of the roll-up mechanism (9).
- 10** • Finally, tighten the belt properly by turning the belt tensioner(s) a quarter of a turn upwards in the vertical position (10). The seat belt is now fitted more tightly!
- In many cases this will result in a kink in the hip belt. However, this does not involve any danger for your child and is part of the correct installation!
- **NOTE!** Make sure that both belt clamps on top of the seat are closed.
- **NOTE!** Make sure that the car seat belt is not twisted.

- When the seat belt has been installed properly, the various “views” will look as follows:



Checklist...

- To ensure the optimum safety of the child, after installing the seat check once more that...
- the seat belt is tight and that it is not twisted,
 - the hip part of the seat belt passes **over** the red belt marks and belt tensioner(s),
 - the (diagonal) shoulder part of the seat belt is attached properly and passes through the two belt slots, along the red marks on the rear of the Maxi-Cosi Tobi,
 - both belt clamps are closed,
 - the belt tensioner(s) is in the tensioned, vertical position,
 - the entire Maxi-Cosi Tobi is installed securely and firmly in the car.

B. Removing the Maxi-Cosi Tobi

- 11 • Open the belt buckle of the seat belt (11).
- 12 • Next, open both belt clamps (12).
- 13 • Release the belt tensioner by pressing the button (13). The belt tensioner will now move down, into the horizontal position.
- 14 • Remove the seat belt from the belt slots (14).
- Take the Maxi-Cosi Tobi out of the car.

3. PLACING YOUR CHILD IN THE MAXI-COSI TOBI

3.1 Using the harness system

A. Adjusting the height of the harness

Before placing the child in the Maxi-Cosi Tobi and locking the harness belt, first determine the correct height of the shoulder belts and headrest.

- 15 • Open the belt buckle (15) by pressing the red button of the belt buckle.
- The shoulder belts are now automatically released and can be made longer without pressing any other buttons.
- 16 • Loosen the shoulder belts by pulling them forwards as far as possible (16).
- **NOTE!** Do not pull on the belt pads when doing so.
- 17 • Place the child with his/her back straight in the Maxi-Cosi Tobi and check the belt height (17).
- 18 • **NOTE!** The height of the shoulder belts is correct when the belt disappears into the shell slightly above your child's shoulders (18).
- Adjust the height of the shoulder belts in combination with and by means of the headrest.
- 19 • To move the shoulder belts and headrest to the required height, move the headrest by the handle on the top at the same time forwards and up or down (19). The shoulder belts including headrest can be set to 6 different heights.

B. Placing the child in the Maxi-Cosi Tobi

- Place the child with his/her back straight in the Maxi-Cosi Tobi.
- 20** • Slide the buckle sections together (part A on part B) and insert them into the belt buckle with a clearly audible “click” (20). When the buckle is closed, the belt system is blocked and can only be pulled tighter. If you need to make the belts longer, the buckle must first be opened again.
- 21 22** • Now pull the harness system tight by pulling on the adjustment belt (21,2). Pull until the indicator on the belt buckle turns green (21,2). If this is still silver the belt should be pulled tighter (22). Make sure that the indicator is green **before driving**. If it seems like the harness belt is still loose even though the indicator is on green, the belt can be pulled more tightly. This will ensure optimum safety. While driving, it is possible that the indicator reverts back to silver as a result of the child’s movements. This is normal and will not affect the child’s safety.
- **NOTE!** The tighter the belts fit around a child, the better the protection.
- **NOTE!** Make sure the textured (anti-slip) side of the belt pads are positioned properly on your child’s shoulders/chest.
- **NOTE!** Make sure the belts are not twisted or folded double.



Always use the belt pads, as they are essential for your child’s safety.



Tell the child never to play with the belt buckle.

3.2 Seat positions (Adjusting the seat into sitting and reclining positions)

The Maxi-Cosi Tobi can be set in 5 positions.

- 23** • Pull the positioning handle under the front of the seat upwards and then pull or push the seat forwards or backwards (23).
- Release the positioning handle in the desired position and push until you hear a “click”.
- **NOTE!** Check to make sure the Maxi-Cosi Tobi is securely locked in the desired position by pulling on it.

Checklist...

To ensure the optimal safety of the child, check before every trip to make sure that ...

- the entire Maxi-Cosi Tobi is installed securely and firmly in the car,
- the height of the shoulder belts is suitable for your child,
- the belts are not twisted,
- the textured (anti-slip) side of the belt pads is positioned properly on your child’s shoulders/chest,
- the child is secure in the belts, the belt buckle is shut and the indicator is on green,
- the tether on the Maxi-Cosi Tobi is not damaged. If it is damaged, do not use the Maxi-Cosi Tobi in any circumstances and contact your retailer or importer immediately.

3.3 Taking the child out

- Place the Maxi-Cosi Tobi in the sitting position (also see section 3.2 Seat positions).
- 24** • Open the belt buckle by pressing the red button of the buckle (24).
- 25** • Loosen the shoulder belts by pulling them forwards as far as possible (25).
- Take the child out of the Maxi-Cosi Tobi.

4. MAINTENANCE

4.1 General

- **NOTE!** Perform these actions only while the Maxi-Cosi Tobi is outside of the car.
- Use lukewarm water, soap and a cloth to clean the plastic parts of the seat. Do not use any aggressive cleaning agents.
- The fabric parts can be cleaned according to the instructions on the washing label; hand washing in lukewarm water and a mild detergent.
- **NOTE! Never** use lubricants – not even for the moving parts of the Maxi-Cosi Tobi.

GB

4.2 Fabric cover

Removing the cover

- 24 25 • Open the belt buckle. Loosen the shoulder belts by pulling them forwards as far as possible (24, 25). Unhook the elastic loops from the hooks on both sides of the positioning handle.
- 26 27 • Remove the elastic edge of the cover from the edges of the shell and then carefully loosen the cover at the front (26, 27).
- Remove the belt buckle pad by pulling it carefully over the belt buckle sideways at an angle. Pass the cover over the belt buckle (from back to front).
- 28 • Loosen the cover from the side points on both sides of the shell (28).
- 29 • Loosen the back flap of the cover and fold it forwards (29).
- 30 • Remove the cover carefully from the sides (30).
- 31 • Loosen the cover behind the belt clamps. The cover has been pushed behind the belt clamps here (31,1)
- 31 • Now pull the cover carefully over the headrest (31,2).
- Remove the cover.
- 32 • Remove the belt pads of the shoulder belts by loosening the Velcro and the poppers on the outside (32).
- 33 • Remove the belt behind the flap with the Velcro (33).
- 34 • Slide the hook clasp out of the loop of the belt pad (34).
- 35 • Remove the belt pad from the spring (35).
- Do this with both belt pads.
- Repeat the above, with the exception of the clasp, for the two hip belt pads. The hip belt pads are attached to the belt with Velcro.
- 36 • Remove the headrest cover by removing the two elastic bands from the bottom flap under the plastic part (36,1).
- Loosen the headrest cover on one side under a point and remove the cover carefully on this side of the headrest.
- Carefully loosen the headrest cover at the edge under the handle at the top of the headrest.
- 36 • Now remove the headrest cover carefully (36,2).

Cleaning the cover

- Wash the cover and belt pads by hand (maximum of 30°C). Do not use a drier. Also see the care instructions on the cover.

Tip: It is wise to buy an extra cover when purchasing the Maxi-Cosi Tobi so that you can continue to use it even when the cover is being washed and dried.

Reattaching the cover

- Repeat the above steps in the reverse order!
- **NOTE!** First attach the 4 belt pads and the headrest cover before reattaching the cover.
- Slide the cover well into the cover edges of the shell all over.
- Check that the cover is tight fitting all over and secured properly.

4.3 Belt buckle and belt adjustment system functioning and cleaning

The proper functioning of the belt buckle and belt adjustment system is very important for the safety of the child. The most common reason that the buckle and/or belt adjustment system does not function properly is because it is dirty (from dust, grime, food particles, etc.). Make sure that the belt buckle stays clean by vacuuming out all dirt. If the belt adjustment system is not functioning properly, contact your supplier or importer immediately (see back of instruction manual for contact details). Do not use the Maxi-Cosi Tobi under any circumstances!

The following is a list of possible causes of function failure and possible solutions.

English

A. Malfunction to the belt buckle

- When opening the belt buckle, the buckle sections are released slowly.
- The belt buckle can only be opened with considerable force.
- It is difficult to click the buckle sections into the buckle (too much resistance).
- The buckle will no longer close, the buckle sections will not go together.
- There is no “click” sound when closing the buckle.

B. Solving any problems

- Check the buckle for any dirt and if necessary clean by knocking the dirt out, rinsing, blowing clean or vacuuming with a vacuum cleaner, for example.
- **NOTE! Never** use lubricants!

If you are unable to close the belt buckle or if you are unsure whether you have solved the problem correctly, contact your retailer or importer immediately (see back of instruction manual). Under no circumstances should the Maxi-Cosi Tobi be used.

5. GENERAL INSTRUCTIONS***Always pay attention to the following...***

- Always use the seat, even on short trips close to home, as this is when most accidents occur.
- Only use the Maxi-Cosi Tobi in a car and not at home. Car seats are not designed for home use.
- The Maxi-Cosi Tobi may be used in the front seat and in the back seat. Even if the car is equipped with an airbag! However, we recommend installing it on the back seat. If this is not possible, make sure that, if installing on a front seat equipped with an airbag, the seat is in the rearmost position. See the car manual, as more and more cars have the possibility to easily switch off the airbag.
- The seat must always be secured with the seat belt, even when not in use. A loose seat could injure other passengers in an emergency stop.
- Make sure that the Maxi-Cosi Tobi is not jammed or wedged by heavy luggage, adjustable seats or closing doors.
- Never use the Maxi-Cosi Tobi without the cover. Do not replace the cover by a cover other than the original as the cover forms part of the total safety of the seat.
- Always cover up the Maxi-Cosi Tobi when the car is parked in the full sun; plastic and metal parts may become extremely hot, this can cause burns and may discolour the cover unnecessarily.
- To avoid damage to the fabric, do not remove the logos, etc. on the cover.
- Make sure that there is no baggage or other loose objects (for example on the rear shelf) in the car. In an emergency stop or crash these become dangerous projectiles!
- When making long journeys, make sure to take frequent breaks in order to give your child some room to move.
- **Never** leave your child alone in the car unattended.
- Keep the user instructions for future reference in the appropriate place at the back of the Maxi-Cosi Tobi.
- Never use second-hand products! You never know what may have happened with these. The safety of the seat can only be guaranteed by the manufacturer if it is used by its first owner.
- The user should not make any modifications to the car seat or the belts. Also labels or warnings, etc. that form part of the seat should not be removed in any circumstances!
- Always replace the Maxi-Cosi Tobi after an accident, as the seat may become unsafe due to damage that is not readily apparent.
- The manufacturer knows that car seats may cause impressions in car upholstery or car seat belts. These cannot be avoided, since the safety standards demand powerful and firm fastening methods. That is why the manufacturer cannot be held liable for any damage as a result of these.

And of course ...

- Always set a good example and wear your own safety belts!

GB

6. WASTE SEPARATION

To ensure optimum and safe use of car safety seats, they should not be used for longer than 5 years after the date of purchase. Ageing of the plastic, for instance under the influence of sunlight (UV), may quite unnoticeably reduce the qualities of the product.

Once the child has grown out of the seat, we therefore advise you to no longer use the car seat and to dispose of it in the proper way.


As we care for the environment we request the user to separate the waste produced at the start (packaging) and end (product parts) of the life of the Maxi-Cosi Tobi.



Make sure to keep plastic wrapping material out of reach of your child in order to avoid the risk of suffocation.

Packaging	Cardboard box	Paper waste
	Plastic bag	Residual waste
Product parts	Fabric cover	Residual waste
	Plastic parts	In accordance with the typification of the appropriate container
	Metal parts	Container for metal
	Tether	Container for polyester
	Belt buckle	Residual waste

7. NEXT STAGE CHILD CAR SEATS

Type of child car seat	Approved according to ECE R44/04		
	Group	Body Weight of child	Age
 Maxi-Cosi Rodi XR	2 + 3	15 - 36 kg	Approx. 3,5 - 12 years

8. WARRANTY

We guarantee that this product was manufactured in accordance with the current European safety requirements and quality standards which are applicable to this product, and that this product is free from defects in workmanship and material at the time of purchase. During the production process the product was subjected to various quality checks. If this product, despite our efforts, shows a material/manufacturing fault within the warranty period of 24 months, (with normal use as described in the user instructions) we will comply with the warranty terms and conditions. In this case please contact your dealer. For extensive information on applying the warranty terms and conditions, you can contact the dealer or look on our website: www.maxi-cosi.com.

Warranty

The warranty is not valid in the following cases:

- In case of a use or purpose other than described in the manual.
- If the product is submitted for repair through a dealer that is not authorized by us.
- If the product is not supplied to the manufacturer with the original purchase receipt (via the retailer and/or importer).
- If repairs were carried out by third parties or a dealer that is not authorized by us.
- If the defect is the result of improper or careless use or maintenance, negligence or impact damage to the fabric cover and/or frame.
- If the parts show normal wear and tear that may be expected from daily use of a product (wheels, rotating and moving parts etc.)

Date of effect:

The warranty becomes effective on the date the product is purchased.

Warranty term:

The warranty period applies for a period of 24 consecutive months. The warranty only applies for the first owner and is not transferable.

What to do in case of defects:

After purchasing the product, keep the purchase receipt. The date of purchase must be clearly visible on the receipt. Should problems or defects arise please contact your retailer. Exchanging or taking back the product cannot be requested. Repairs do not give entitlement to extension of the warranty. Products that are returned directly to the manufacturer are not eligible for warranty.

This Warranty Clause conforms to European Directive 99/44/EG of 25 May 1999.

9. QUESTIONS

If you have any questions, please ring your supplier or importer (see back of the user instructions). Make sure you have the following information at hand:

- Serial number at the bottom of the orange/white ECE sticker (at the back of the Maxi-Cosi Tobi).
- Make, type and construction of the car and the seat on which the Maxi-Cosi Tobi is used.
- Age (length) and weight of your child.

Chers parents

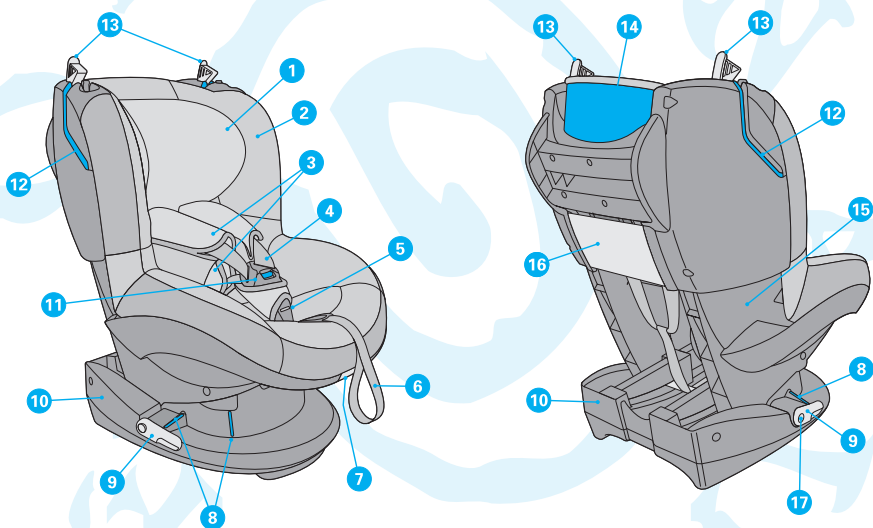
Toutes nos félicitations pour votre achat du Tobi de Maxi-Cosi.

Sécurité, facilité d'utilisation, confort et esthétique ont été la priorité lors de la conception du Tobi de Maxi-Cosi. Ce siège-auto répond aux normes les plus strictes.

Des études ont montré que les sièges-auto sont souvent mal utilisés. Prenez le temps de lire attentivement ce mode d'emploi. La sécurité de votre enfant ne peut être assurée que s'il est utilisé correctement.

Les études permanentes menées par nos services de développement de produits et marketing, en étroite collaboration avec les instituts de test ainsi que les consommateurs et nos clients, nous permettent d'anticiper les évolutions en matière de sécurité des enfants en voiture. N'hésitez pas à nous contacter si vous avez des questions ou des remarques concernant l'utilisation du Maxi-Cosi Tobi.

Dorel (adresse et numéros de téléphone au dos du mode d'emploi)



- | | |
|--|---|
| 1. Appui-tête | 10. Socle |
| 2. Housse | 11. Fermeture du harnais |
| 3. Protège-bretelles | 12. Rainure rouge pour bretelle de ceinture de sécurité |
| 4. Bretelles -système harnais | 13. Verrou de sûreté pour ceinture de sécurité |
| 5. Indicateur de tension du harnais | 14. Marque rouge arrière pour ceinture de sécurité |
| 6. Sangle de réglage système harnais | 15. Coque |
| 7. Manette de réglage coque | 16. Compartiment de rangement mode d'emploi |
| 8. Marques rouges pour ceinture abdominale de ceinture de sécurité | 17. Bouton de déverrouillage tendeur(s) de ceinture |
| 9. Tendeur(s) de la ceinture de sécurité | |

CARACTÉRISTIQUES SPÉCIFIQUES

Le Maxi-Cosi Tobi est doté de caractéristiques uniques qui réduisent le risque d'une mauvaise utilisation et simplifie son emploi:

- Un système de harnais qui se "libère" automatiquement dès que le fermoir du harnais est ouvert.
- La couleur de l'indicateur sur le fermoir du harnais indique si les sangles sont suffisamment tendues.
- Le fermoir de harnais fait également office de bouton de réglage du harnais; lorsqu'il est ouvert, le réglage des bretelles est automatiquement déverrouillé, permettant de les rallonger. S'il est fermé, les bretelles peuvent être tirées jusqu'à ce que l'indicateur se mette sur le "VERT". Aucun autre réglage n'est plus nécessaire!

F

TABLE DES MATIÈRES

1.	IMPORTANT: A LIRE IMPERATIVEMENT!	17
2.	INSTALLER ET ENLEVER LE MAXI-COSI TOBI	18
3.	INSTALLER VOTRE ENFANT DANS LE MAXI-COSI TOBI	19
3.1	Utilisation du harnais	19
3.2	Positions (réglage position assise et inclinée)	20
3.3	Sortir l'enfant	20
4.	ENTRETIEN	21
4.1	Général	21
4.2	Housse	21
4.3	Fonctionnement et nettoyage du fermoir et du système de réglage du harnais	22
5.	INSTRUCTIONS GÉNÉRALES	22
6.	SEPARATION DES DÉCHETS	23
7.	AUTRES SIÈGES-AUTO	23
8.	GARANTIE	24
9.	QUESTIONS	25

1. IMPORTANT: A LIRE IMPERATIVEMENT!

Lisez ce mode d'emploi attentivement et conservez-le comme ouvrage de référence. Ne pas se conformer au mode d'emploi risque de mettre gravement en danger la sécurité de l'enfant.



N'utilisez que des accessoires et des pièces d'origine agréés par le fabricant. Ne modifiez pas le produit. En cas de réclamations ou problèmes, contactez votre fournisseur ou importateur.

Certification ECE R44/04			
	Groupe	Poids de l'enfant	Age
Maxi-Cosi Tobi	1	9 – 18 kg	Environ 9 mois - 3,5 ans

Mode d'emploi

17

2. INSTALLER ET ENLEVER LE MAXI-COSI TOBI

Installation avec ceinture à 3 points (suivre les marques rouges sur le produit)



Utilisez le Maxi-Cosi Tobi uniquement sur un siège orienté vers l'avant, équipé d'une ceinture de sécurité à enrouleur à 3 points de fixation homologuée selon la norme ECE R16 ou une norme équivalente.

F



Pour la sécurité de votre enfant, il est essentiel que la ceinture de sécurité de la voiture soit correctement placée. La ceinture de sécurité doit être placée sur le Maxi-Cosi Tobi selon les marques rouges dans l'ordre indiqué, voir l'étiquette sur le côté du Maxi-Cosi Tobi. **Ne faites jamais passer la ceinture d'une autre manière que celle indiquée!**



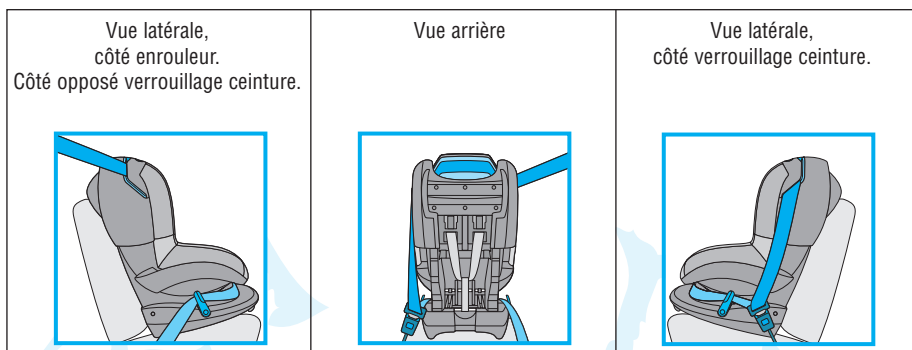
S'il gêne, enlevez l'appui-tête du siège sur lequel sera installé le Maxi-Cosi Tobi dans la voiture. N'oubliez pas de replacer l'appui-tête lorsque ce siège est à nouveau utilisé par un passager.

A. Installation

- **ATTENTION!** si elle est abaissable, verrouillez la banquette arrière avant d'installer le Maxi-Cosi Tobi.
- **ATTENTION!** Les ceintures de sécurité de certains sièges sont placées trop en avant pour permettre une bonne installation. Essayez dans ce cas un autre siège.
- 1 • **ATTENTION!** Avant d'installer le siège-auto, assurez-vous que les tendeurs de la ceinture sont dans la bonne position en appuyant sur le bouton de déverrouillage (1). Les tendeurs de la ceinture doivent être à plat.
- 2 • **ATTENTION!** Assurez-vous que les deux boucles de sûreté de la ceinture de sécurité sont ouvertes (2).
- Placez le Maxi-Cosi Tobi sur la banquette.
- 3 4 • Faites passer la ceinture de sécurité pour le Maxi-Cosi Tobi le long et **devant** (4) les tendeurs de la ceinture. Faites passer la ceinture abdominale sous la coque, sur les marques rouges indiquant le passage de la ceinture (3,1).
- 3 • Enclenchez la ceinture de sécurité de la voiture dans le verrouillage de ceinture de la voiture (3,2).
- 5 • **ATTENTION!** La longueur de certains verrouillages de ceinture de sécurité fait qu'ils dépassent le socle du Maxi-Cosi Tobi, empêchant de le fixer solidement. Choisissez dans ce cas un autre siège de la voiture (5). Le verrouillage risque en outre de se casser!
- 6 • Faites passer la bretelle de la ceinture de sécurité sur le côté du verrouillage de la ceinture de la voiture, dans la rainure rouge sur le dossier du siège (6).
- 7 • Faites passer ensuite la bretelle de la ceinture le long de la marque rouge à cet effet, située sur l'arrière du Maxi-Cosi Tobi (7,1).
- 7 • Ressortez-la en la faisant passer dans la seconde rainure rouge (7,2).
- 8 • Calez le Maxi-Cosi Tobi sur la banquette (8,1) et tendez en même temps la bretelle de la ceinture à fond (8,2). Le Maxi-Cosi Tobi est à présent solidement installé dans la voiture. Vérifiez-le !
- 9 • Enclenchez d'abord le verrou de sûreté du côté du verrouillage de la ceinture, puis celui du côté de l'enrouleur (9).
- 10 • Pour finir, tendez la ceinture en tournant le(s) tendeur(s) de ceinture un quart de tour vers le haut, en position verticale (10). La ceinture de sécurité est alors tendue à fond!
- Il arrive souvent que la ceinture abdominale soit alors fléchie. Ceci ne constitue pas un risque pour votre enfant, et se produit lorsque l'installation est correcte.
- **ATTENTION!** Assurez-vous que les deux verrous de sûreté situés sur le dessus du siège sont bien fermés.
- **ATTENTION!** Assurez-vous que la ceinture de sécurité ne soit pas vrillée.

Français

- Une fois la ceinture de sécurité correctement installée, le siège-auto se présente ainsi:



F

Liste de contrôle...

Après l'installation, contrôlez à nouveau pour plus de sûreté et pour la sécurité optimale de l'enfant, que...

- la ceinture de sécurité de la voiture est tendue et parfaitement à plat,
- la sangle abdominale de la ceinture de sécurité passe **sur** les marques rouges et le(s) tendeur(s) de ceinture,
- la bretelle (diagonale) de la ceinture de sécurité est bien fixée et passe dans les deux rainures prévues pour la ceinture, le long des marques rouge sur l'arrière du Maxi-Cosi Tobi,
- les deux verrous de sûreté sont fermés,
- le(s) tendeur(s) de ceinture est (sont) en position verticale de tension,
- le Maxi-Cosi Tobi est totalement fixé et stable dans la voiture.

B. Enlever le Maxi-Cosi Tobi

- 11 • Libérez le verrouillage de la ceinture de sécurité (11).
 - 12 • Ouvrez ensuite les deux verrous de sûreté (12).
 - 13 • Appuyez sur le bouton du tendeur de ceinture (13) pour le libérer. Le tendeur de ceinture saute vers le bas, en position horizontale.
 - 14 • Sortez la ceinture de sécurité des rainures (14).
- Enlevez le Maxi-Cosi Tobi de la voiture.

3. INSTALLER VOTRE ENFANT DANS LE MAXI-COSI TOBI

3.1 Utilisation du harnais

A. Régler la hauteur du harnais

Avant d'installer l'enfant dans le Maxi-Cosi Tobi et de fermer le harnais, déterminez la hauteur des bretelles et de l'appui-tête.

- 15 • Appuyez sur le bouton rouge du fermoir de harnais (15) pour l'ouvrir.
- Les bretelles se libèrent automatiquement et peuvent être rallongées sans avoir à manipuler d'autres boutons.
- 16 • Donnez du jeu aux bretelles en les tirant le plus possible en avant (16).
- **ATTENTION!** Ne tirez pas sur les protège-bretelles.
- 17 • Installez l'enfant dans le Maxi-Cosi Tobi le dos bien droit et vérifiez la hauteur du harnais (17).
- 18 • **ATTENTION!** Les bretelles sont à la bonne hauteur lorsqu'elles entrent dans la coque légèrement au-dessus des épaules (18).

Mode d'emploi

- La hauteur des bretelles et de l'appui-tête se règlent simultanément avec l'appui-tête.
- 19 • Pour mettre les bretelles et l'appui-tête à la hauteur voulue, basculez et remontez ou abaissez simultanément l'appui-tête à l'aide de la poignée située sur le dessus (19). Les bretelles et l'appui-tête peuvent être réglés à 6 hauteurs différentes.

B. Installer l'enfant dans le Maxi-Cosi Tobi

- Installez l'enfant le dos bien droit dans le Maxi-Cosi Tobi.
- 20 • Placez les éléments du fermoir l'un sur l'autre (élément A sur élément B) et enclenchez-les dans le verrou de sûreté, vous devez entendre clairement un "clac" (20). La fermeture du verrou bloque le harnais, qui ne peut alors qu'être tendu. Pour allonger le harnais, le verrou devra être ré-ouvert.
- 21 22 • Tendez maintenant le harnais en tirant sur la sangle de réglage (21,1). Tirez-la jusqu'à ce l'indicateur sur le verrou de sûreté soit sur le vert (21,2) S'il est encore sur la couleur argentée, le harnais n'est pas assez tendu (22). Lorsque vous démarrez, l'indicateur doit être sur le vert. Si vous avez l'impression que la sangle du harnais n'est pas suffisamment tendue alors que l'indicateur se trouve sur le vert, tirez une nouvelle fois sur la sangle afin de la tendre davantage. Vous êtes ainsi assuré d'une sécurité optimale. En cours de trajet, il peut arriver que suite aux mouvements de votre enfant, l'indicateur se repositionne sur la couleur argentée. C'est tout à fait normal et n'a aucune conséquence pour la sécurité de votre enfant.
- **ATTENTION!** Plus le harnais est ajusté à votre enfant, mieux il sera protégé.
- **ATTENTION!** Vérifiez que la face profilée (antidérapante) des protège-bretelles est bien en contact avec les épaules/la poitrine de l'enfant.
- **ATTENTION!** Vérifiez que le harnais soit parfaitement à plat et qu'il ne soit pas vrillé.



Utilisez toujours les protège-bretelles; ils assurent la bonne sécurité de l'enfant.



Expliquez à l'enfant qu'il ne doit jamais jouer avec le fermoir du harnais.

3.2 Positions (réglage position assise et inclinée)

Le Maxi-Cosi Tobi se règle sur 5 positions.

- 23 • Poussez vers le haut la manette de réglage située sous l'avant du siège, puis tirez ou poussez le siège vers l'avant ou vers l'arrière (23).
- Lâchez la manette de réglage lorsque le siège est dans la position voulue et poussez-le jusqu'à ce que vous entendiez clairement un "clac".
- **ATTENTION!** Vérifiez que le Maxi-Cosi Tobi est bien fixé dans la position voulue en tirant sur le siège.

Liste de contrôle...

Pour plus de sûreté et la sécurité optimale de l'enfant, revérifiez avant chaque trajet, que...

- le Maxi-Cosi Tobi est bien fixé et stable,
- les bretelles sont à la bonne hauteur,
- Le harnais est parfaitement à plat,
- la face profilée (antidérapante) des protège-bretelles est bien en contact avec les épaules/la poitrine de l'enfant.
- le harnais serre suffisamment l'enfant, que le fermoir du harnais est fermé et que l'indicateur est sur le vert,
- la sangle de réglage du Maxi-Cosi Tobi n'est pas endommagée. Si c'est le cas, n'utilisez en aucun cas le Maxi-Cosi Tobi et contactez votre fournisseur ou l'importateur.

3.3 Sortir l'enfant

- Mettez le Maxi-Cosi Tobi en position assise (voir paragraphe 3.2: positions).
- 24 • Appuyez sur le bouton rouge du fermoir de harnais (24) pour l'ouvrir.
- 25 • Donnez du jeu aux bretelles en les tirant le plus possible en avant (25).
- Sortez l'enfant du Maxi-Cosi Tobi.

F

4. ENTRETIEN

4.1 Général

- **ATTENTION!** Le Maxi-Cosi Tobi doit être sorti de la voiture.
- Nettoyez les parties synthétiques du siège avec un chiffon humide, de l'eau tiède et du savon. N'utilisez jamais de produits abrasifs.
- Nettoyez les parties en tissu selon les instructions données sur le tableau de nettoyage; lavez-les à la main à l'eau tiède et une lessive pour linge délicat.
- **ATTENTION!** N'utilisez **jamais** de lubrifiants, non plus sur les éléments mobiles du Maxi-Cosi Tobi.

4.2 Housse

Enlever la housse

- 24 25 • Ouvrez le fermoir du harnais. Donnez du jeu aux bretelles en les tirant le plus possible en avant (24, 25). Détacher les boucles élastiques des crochets des deux côtés de la poignée de réglage.
- 26 27 • Sortez le rebord élastique de la housse des rainures de la coque et libérez-la sur l'avant en tirant avec précautions (26, 27).
- Enlevez la protection du fermoir de harnais en la faisant glisser doucement – à l'oblique, latéralement – du fermoir. Faites passer la housse par-dessus le fermoir du harnais (arrière en avant).
- 28 • Libérez la housse des points de fixation de chaque côté de la coque (28).
- 29 • Libérez le rabat arrière de la housse et rabattez-le vers l'avant (29).
- 30 • Détachez la housse avec précautions des côtés (30).
- 31 • Libérez la housse derrière les verrous de sûreté. La housse est glissée derrière (31,1).
- 31 • Faites passer maintenant la housse avec précautions par-dessus l'appui-tête (31,2).
- Enlevez la housse.
- 32 • Enlevez les protège-bretelles en défaisant les bandes Velcro et les pressions placées sur l'extérieur (32).
- 33 • Enlevez la sangle derrière le rabat à bande velcro (33).
- 34 • Faites glisser la boucle à crochet hors de la bride du protège-bretelles (34).
- 35 • Enlevez le protège-bretelles du ressort (35).
- Répétez l'opération pour le second protège-bretelles.
- Répétez l'opération pour les deux protège-ceintures abdominales, excepté la boucle à crochet. Les protège-ceintures abdominales sont fixés à la ceinture par une bande velcro.
- 36 • Sortez les deux élastiques du rabat inférieur sous la partie synthétique (36,1) pour enlever la housse de l'appui-tête.
- Libérez la housse de l'appui-tête d'un côté et enlevez la housse de ce côté avec précautions.
- Libérez avec précautions la housse de l'appui-tête de la rainure située sous la poignée sur le dessus de l'appui-tête.
- 36 • Enlevez maintenant la housse de l'appui-tête avec précautions (36,2).

Nettoyage de la housse

- Nettoyez la housse et les protège-bretelles à la main (maximum 30°C). Ne jamais les faire sécher dans un séchoir. Voir les instructions de lavage sur la housse.

Conseil: achetez une housse supplémentaire lors de l'achat du Maxi-Cosi Tobi, de façon à pouvoir l'utiliser quand vous lavez la housse d'origine.

Replacer la housse

- Répétez les opérations ci-dessus dans l'ordre inverse.
- **ATTENTION!** Remplacez les 4 protège-bretelles et la housse de l'appui-tête avant de remettre la housse.
- Glissez la housse bien au fond des rainures de la coque.
- Vérifiez que la housse est bien tendue et fixée partout.

F

F

4.3 Fonctionnement et nettoyage du fermoir et du système de réglage du harnais

Le bon fonctionnement du fermoir et du système de réglage du harnais est essentiel pour la sécurité de l'enfant. Un mauvais fonctionnement est en général dû à des impuretés (poussière, saleté, restes de nourriture, etc.). Veillez à ce que le fermoir et le système de réglage du harnais restent bien propres. Utilisez, par exemple, un aspirateur pour en retirer les saletés et poussières. Lorsque le système de réglage ne fonctionne pas convenablement, contactez immédiatement votre fournisseur ou importateur (voir verso du mode d'emploi). N'utilisez jamais dans ce cas le Maxi-Cosi Tobi!

Quelques problèmes de fonctionnement et leurs solutions sont indiqués dans la liste ci-dessous.

A. Problèmes au niveau du fermoir du harnais

- Lors de l'ouverture du fermoir, les éléments du fermoir sont éjectés avec un certain retard.
- Le fermoir ne s'ouvre qu'en exerçant une force excessive.
- Les éléments ne s'enclenchent pas souplement dans le fermoir (forte résistance).
- Le fermoir ne se ferme plus, les éléments sont chaque fois éjectés.
- Aucun "clic" n'est clairement audible au verrouillage du fermoir.

B. Solutions

- Vérifiez que le fermoir ne contient pas d'impuretés, nettoyez-le si nécessaire en le secouant, le rinçant, en soufflant dessus ou avec un aspirateur.
- **ATTENTION!** N'employez **jamais** de lubrifiants!

Si vous n'arrivez pas à fermer correctement le fermoir ou si vous avez des doutes sur son bon fonctionnement, contactez immédiatement votre fournisseur ou l'importateur (voir liste d'adresses au dos du mode d'emploi). N'utilisez jamais dans ce cas le Maxi-Cosi Tobi.

5. INSTRUCTIONS GENERALES

A se rappeler en toutes circonstances...

- Utilisez toujours le Maxi-Cosi Tobi, même pour de courts trajets, car c'est sur les courtes distances que se produisent la plupart des accidents.
- Utilisez le Maxi-Cosi Tobi uniquement en voiture, non dans la maison. Le siège-auto n'est pas conçu pour être utilisé à la maison.
- Le Maxi-Cosi Tobi peut être utilisé sur le siège avant comme sur la banquette arrière. Même lors de la présence d'un coussin autogonflable ! Nous vous conseillons néanmoins de l'utiliser sur la banquette arrière. Si cela s'avère impossible, veillez à ce que dans le cas d'un siège avant équipé d'un coussin autogonflable, ce dernier se trouve dans sa position la plus reculée. Regardez également dans le guide utilisateur (notice) de votre véhicule ; dans un nombre croissant de voitures, il est en effet possible de désactiver le coussin autogonflable.
- Le siège-auto doit toujours être fixé avec la ceinture de sécurité, également lorsqu'il n'est pas utilisé. Un siège non fixé peut blesser d'autres passagers lors d'un coup de frein brutal.
- Assurez-vous que le Maxi-Cosi Tobi n'est pas coincé ou surchargé par des bagages lourds, le réglage des sièges ou à la fermeture des portières.
- N'utilisez jamais le Maxi-Cosi Tobi sans housse. Ne remplacez pas la housse d'origine par une housse d'une autre marque, car elle fait partie intégrante de la sécurité assurée par le siège.
- Protégez toujours le Maxi-Cosi Tobi lorsque votre voiture est garée en plein soleil, les parties synthétiques risquant de devenir très chaudes et de provoquer des brûlures; par ailleurs, la housse risque inutilement de se décolorer.
- N'enlevez pas les logos, etc. de la housse, afin d'éviter tout dommage.
- Assurez-vous qu'il n'y a pas de bagages ou autre objets non attachés (sur la plage arrière par exemple) dans la voiture, qui risquent de se transformer en projectiles dangereux en cas d'arrêt brusque ou de collision!

- En cas de longs déplacements, faites des pauses régulières pour accorder à votre enfant un peu de liberté de mouvement.
- Ne laissez **jamais** l'enfant seul dans la voiture.
- Conservez le mode d'emploi pour un usage ultérieur dans le compartiment prévu à cet effet sur l'arrière du Maxi-Cosi Tobi.
- N'utilisez jamais de produits d'occasion. Vous ne savez jamais ce à quoi ils ont servi. La sécurité du siège ne peut être garantie par le fabricant que lorsqu'il est utilisé par son premier propriétaire.
- Aucune modification ne doit être apportée à un siège-auto pour enfant, ou au harnais, par l'utilisateur. Les étiquettes, avertissements, etc. apposés sur le siège ne doivent en aucun cas être enlevés.
- Après un accident, remplacez toujours le Maxi-Cosi Tobi. Le siège risque de ne plus sûr dû à des dommages non apparents.
- Le fabricant est conscient que les sièges-auto risquent de laisser des marques sur le revêtement de la voiture ou les ceintures de sécurité. Les normes de sécurité prescrites et la force avec laquelle ils doivent être fixés ne permettent pas de l'éviter. Le fabricant exclut toute responsabilité en cas d'éventuels dommages provoqués par le siège-auto.

Et bien entendu...

- Donnez vous-même l'exemple et mettez toujours votre ceinture de sécurité!

6. SEPARATION DES DECHETS

Pour un usage optimal et en toute sécurité des sièges-auto, ils ne devraient pas être utilisés plus longtemps que 5 ans. Le vieillissement des matières synthétiques, en autres sous l'effet des rayons solaires (UV), peut entraîner une détérioration imperceptible des propriétés du produit.

Lorsque l'enfant est trop grand pour s'asseoir dans le siège-auto, nous recommandons de ne plus l'utiliser et de s'en débarrasser.


Souhaitant préserver l'environnement, nous demandons au consommateur à l'achat (emballage) et la fin de la durée de vie (éléments du produit) du Maxi-Cosi Tobi de séparer les déchets.



Gardez le matériel d'emballage en plastique hors de la portée des enfants pour éviter les risques d'étouffement.

Emballage	Boîte en carton	Déchets en papier
	Sac en plastique	Déchets restants
Éléments du produit	Housse	Déchets restants
	Éléments en matière synthétique	Conformément aux caractéristiques/spécifications du conteneur prévu à cet effet
	Parties métalliques	Conteneur pour métal
	Harnais	Conteneur pour polyester
	Fermeur du harnais	Déchets restants

7. AUTRES SIEGES-AUTO

Type siège-auto	Certification ECE R44/04		
	Groupe	Poids enfant	Age
 Maxi-Cosi Rodi XR	2 + 3	15 à 36 kg	Environ 3,5 - 12 ans

8. GARANTIE

Nous vous garantissons que ce produit a été fabriqué conformément aux normes de sécurité européennes et exigences de qualité actuellement en vigueur pour ce produit et qu'au moment de son achat par le détaillant, ce produit était exempt de tout défaut de composition et de fabrication. Pendant son processus de production, ce produit a également été soumis à divers contrôles de qualité. Si, malgré tous nos efforts, un défaut de matériau et/ou un vice de fabrication venait à survenir pendant la période de garantie de 24 mois (dans le cas d'une utilisation normale, telle que décrite dans le mode d'emploi), nous nous engageons à respecter les conditions de garantie. Vous êtes alors prié de vous adresser à votre vendeur. Pour des informations plus détaillées concernant l'applicabilité des conditions de garantie, veuillez prendre contact avec votre vendeur ou regarder sur : www.maxi-cosi.com.

La garantie est exclue dans les cas suivants :

- Lors d'une utilisation dans un but autre que celui prévu dans le mode d'emploi.
- Lorsque le produit est proposé en réparation par le biais d'un fournisseur non agréé.
- Lorsque le produit n'est pas renvoyé avec l'original du ticket de caisse (par l'intermédiaire du commerçant et/ou importateur) au fabricant.
- Lorsque des réparations ont été effectuées par un tiers ou un vendeur non agréé.
- Lorsque le défaut a été causé par une utilisation ou un entretien incorrect ou insuffisant, une négligence ou des chocs au niveau du textile et/ou du châssis.
- Lorsqu'il y a lieu de parler d'une usure normale des pièces, telle que l'on peut attendre d'une utilisation journalière (roues, éléments rotatifs et mobiles, etc.).

Quand la garantie prend-elle effet ?

La période de garantie débute à la date d'achat du produit.

Pour quelle période ?

Pour une période de 24 mois consécutifs. La garantie est uniquement valable pour le premier propriétaire et n'est pas transmissible.

Garantie

Que devez-vous faire ?

Lors de l'achat du produit, veuillez conserver soigneusement l'original du ticket de caisse. La date d'achat doit y être clairement visible. En cas de problèmes ou défauts, veuillez vous adresser à votre vendeur. Aucun échange ni reprise ne peut être exigé. Les réparations ne donnent pas lieu à une prolongation de la période de garantie. Les produits qui sont directement retournés au fabricant ne sont pas couverts par la garantie.

Cette clause de garantie est conforme à la directive européenne 99/44/CE datée du 25 mai 1999.

F**9. QUESTIONS**

En cas de questions, n'hésitez pas à contacter votre fournisseur ou importateur (voir dos du mode d'emploi). Assurez-vous d'avoir les données suivantes à portée de main:

- Numéro de série figurant sous l'étiquette orange de certification ECE (sur l'arrière du Maxi-Cosi Tobi).
- Marque, modèle et année de construction de la voiture et siège sur lequel le Maxi-Cosi Tobi est utilisé.
- L'âge (taille) et le poids de votre enfant.

Verehrte Eltern

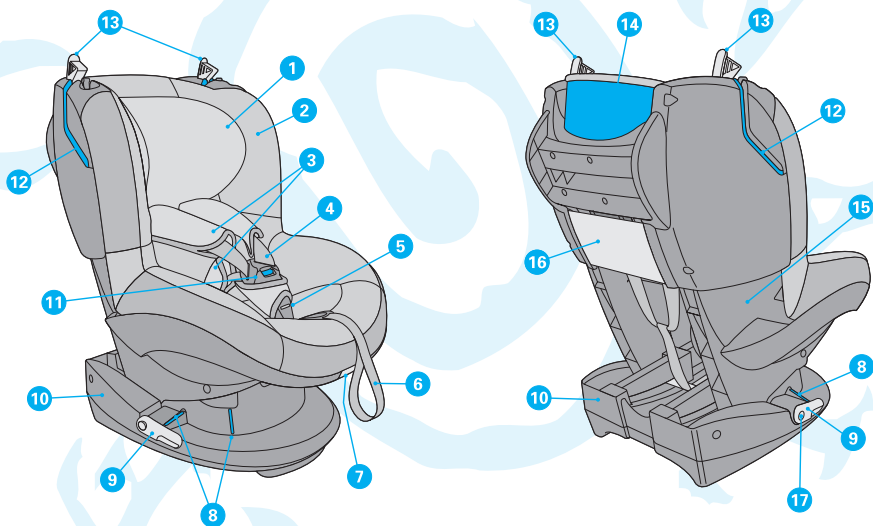
Wir beglückwünschen Sie zum Kauf des Maxi-Cosi Tobi.

Bei der Entwicklung des Maxi-Cosi Tobi standen Sicherheit, Bedienungsfreundlichkeit, Komfort und Design stets im Vordergrund. Dieses Produkt erfüllt die strengsten Sicherheitsanforderungen.

Eine Untersuchung ergab, dass viele Kindersitze nicht richtig benutzt werden. Nehmen Sie sich daher Zeit, diese Gebrauchsanweisung sorgfältig durchzulesen. Die optimale Sicherheit Ihres Kindes ist ausschließlich bei richtiger Benutzung gewährleistet.

Langzeituntersuchungen unserer Abteilungen Produktentwicklung und Marketing sowie eine intensive Zusammenarbeit mit Prüfungsinstituten und die Beratung mit Verbrauchern und Kunden führen dazu, dass wir auf dem Gebiet der Kindersicherheit tonangebend sind. Fragen oder Bemerkungen bezüglich der Benutzung des Maxi-Cosi Tobi beantworten wir Ihnen jederzeit gerne.

Dorel (Für Adressen- und Telefonangaben, siehe die Rückseite der Gebrauchsanweisung)



1. Kopfstütze
2. Bezug
3. Gurtpolster
4. Schultergurte - Hosenträger-Gurtsystem
5. Anzeige Gurtspannung
6. Verstellband für Gurtsystem
7. Verstellgriff Schale
8. Rote Markierung für Beckenteil Autogurt
9. Der Spanner für Autogurt

10. Fuß
11. Gurtschloss
12. Roter Gurtschlitz für Schulterteil Autogurt
13. Gurtarretierung für Autogurt
14. Rote Markierung Autogurt Rückseite
15. Schale
16. Fach für Gebrauchsanweisung
17. Entriegelungsknopf Gurtspanner

BESONDERE EIGENSCHAFTEN

Um das Risiko einer falschen Benutzung zu verringern und den Gebrauchskomfort zu erhöhen, ist der Maxi-Cosi Tobi mit den folgenden, einzigartigen Eigenschaften ausgerüstet:

- Einem Hosenträger-Gurtsystem, das von selbst "aufspringt", wenn das Gurtschloss geöffnet wird.
- Einer Anzeige auf dem Gurtschloss, die mittels einer Farbe anzeigt, wenn die Gurte stramm genug angezogen sind.
- Einem Gurtschloss, das als Bedienknopf für das Gurtsystem dient, d.h. bei geöffnetem Schloss wird die Bedienung der Schultergurte automatisch freigegeben und die Gurte können länger gemacht werden. Wenn das Schloss geschlossen ist, können die Schultergurte soweit angezogen werden, bis die Anzeige "GRÜN" anzeigt. Eine weitere Bedienung der Knöpfe ist nicht mehr erforderlich!

D**INHALT**

1.	WICHTIG: BITTE ZUERST LESEN!	27
2.	BEFESTIGEN UND HERAUSNEHMEN DES MAXI-COSI TOBI	28
3.	IHR KIND IN DEN MAXI-COSI TOBI SETZEN	29
3.1	Benutzen Sie das Hosenträger-Gurtsystem	29
3.2	Gebrauchspositionen (Verstellen des Sitzes in Sitz- und Liegeposition)	30
3.3	Herausnehmen des Kindes	30
4.	PFLEGE	31
4.1	Allgemeines	31
4.2	Bezug	31
4.3	Bedienung und Reinigung des Gurtschlusses	32
5.	ALLGEMEINE ANWEISUNGEN	32
6.	ABFALLTRENNUNG	33
7.	FORTSETZUNG AUTOSITZ	33
8.	GARANTIE	34
9.	FRAGEN	35

1. WICHTIG: BITTE ZUERST LESEN!

Lesen Sie diese Gebrauchsanweisung sorgfältig durch und bewahren Sie diese als Nachschlagewerk auf. Die Sicherheit Ihres Kindes ist ausschließlich bei Einhaltung der Vorschriften der Gebrauchsanweisung gewährleistet.



Benutzen Sie ausschließlich vom Hersteller zugelassene Originalzubehörfteile. Nehmen Sie keine Änderungen am Produkt vor. Sollten Sie Reklamationen oder Probleme haben, kontaktieren Sie bitte Ihren Fachhändler oder Importeur.




Zulassung nach ECE R44/04			
	Gruppe	Körpergewicht Kind	Alter
Maxi-Cosi Tobi	1	9 -18 kg	Ca. 9 Monate – 3,5 Jahre

Gebrauchsanweisung

27

2. BEFESTIGEN UND HERAUSNEHMEN DES MAXI-COSI TOBI

Anwendung mit Dreipunkt-Sicherheitsgurt (rote Markierung am Produkt)

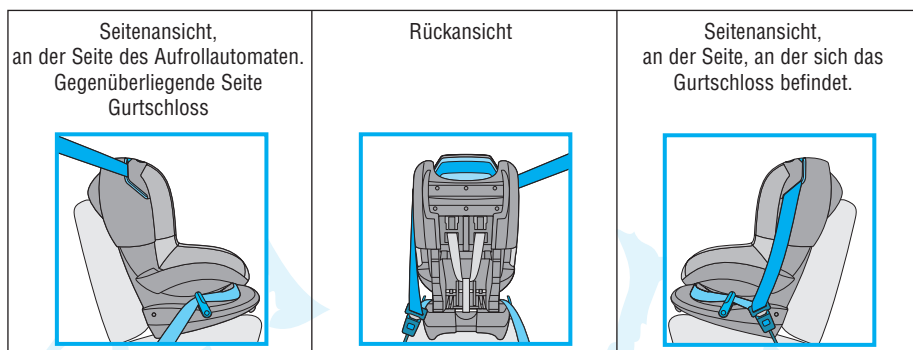
- D**
-  Benutzen Sie den Maxi-Cosi Tobi ausschließlich auf einem nach vorne gerichteten Sitz, der mit einem automatischen Dreipunkt-Sicherheitsgurt ausgestattet ist, vorausgesetzt, dieser wurde nach der ECE R16 oder einer gleichwertigen Norm zugelassen.
 -  Der richtige Verlauf des Autogurts ist von größter Wichtigkeit für die Sicherheit Ihres Kindes. Der Autogurt muss entlang der roten Markierungen an den Maxi-Cosi Tobi montiert werden. Siehe diesbezüglich auch den Sticker an der Seite des Maxi-Cosi Tobi. **Wenden Sie niemals einen anderen als den vorgeschriebenen Gurtverlauf an!**
 -  Entfernen Sie die Kopfstütze vom Sitz, auf dem der Maxi-Cosi Tobi im Auto benutzt wird, falls diese im Weg ist. Vergessen Sie nicht, die Kopfstütze wieder anzubringen, wenn der Sitz erneut in Gebrauch genommen wird.

A. Befestigen

- **BEACHTEN SIE!** Verriegeln Sie zurückklappbare Rücksitze, bevor Sie den Maxi-Cosi Tobi befestigen.
- **BEACHTEN SIE!** Bei einigen Rücksitzen sind die Autogurte so weit vorne angebracht, dass eine richtige Befestigung nicht möglich ist. Benutzen Sie in diesem Fall einen anderen Sitz .
- 1** • **BEACHTEN SIE!** Achten Sie darauf, dass die Gurtspanner in der richtigen Position stehen, indem Sie auf den Entriegelungsknopf drücken (1), bevor Sie den Kindersitz befestigen. Die Gurtspanner müssen horizontal stehen.
- 2** • **BEACHTEN SIE!** Achten Sie darauf, dass beide Autogurt-Arretierungen geöffnet sind (2).
- Stellen Sie den Maxi-Cosi Tobi auf den Rücksitz des Autos.
- 3 4** • Legen Sie den Autogurt für den Maxi-Cosi Tobi entlang und **über** (4) der Gurtspanner. Achten Sie darauf, dass der Beckengurt unter der Schale über die roten Gurtmarkierungen (3,1) läuft.
- 3** • Befestigen Sie den Autogurt im Gurtschloss des Autos (3,2).
- 5** • **BEACHTEN SIE!** Es kann vorkommen, dass das Schlossteil des Autogurts so lang ist, dass das Autogurtschloss über dem Fuß des Maxi-Cosi Tobi liegt. Dadurch lässt der Maxi-Cosi Tobi sich nicht richtig befestigen. Wählen Sie in diesem Fall einen anderen Sitz im Auto (5). Das Schloss könnte sonst brechen!
- 6** • Schieben Sie das Schulterteil des Autogurts an der Seite, an der sich auch das Gurtschloss des Autos befindet, durch den roten Gurtschlitz auf der Rückenlehne (6).
- 7** • Ziehen Sie das Schulterteil jetzt entlang der roten Markierung für den Schultergurt an der Rückseite des Maxi-Cosi Tobi (7,1).
- 7** • Schieben Sie dieses durch den zweiten roten Gurtschlitz wieder nach außen (7,2).
- 8** • Drücken Sie den Maxi-Cosi Tobi fest in den Rücksitz (8,1) und ziehen Sie den Schultergurt gleichzeitig fest an (8,2). Der Maxi-Cosi Tobi ist jetzt sicher im Auto befestigt. Überprüfen Sie das bitte!
- 9** • Schließen Sie zuerst die Gurtarretierung an der Gurtschlossseite und dann die Gurtarretierung auf der anderen Seite, in Richtung Aufrollautomat (9).
- 10** • Spannen Sie zuletzt den Gurt stramm durch den/die Gurtspanner, indem Sie ihn eine Vierteldrehung in vertikaler Position nach oben drehen (10). Der Autogurt wird jetzt strammer angespannt!
- In den meisten Fällen entsteht dabei ein Knick im Beckengurt. Das beeinträchtigt nicht die Sicherheit und gehört zur richtigen Befestigung!
- **BEACHTEN SIE!** Achten Sie darauf, dass beide Gurtarretierungen oben am Sitz geschlossen sind.
- **BEACHTEN SIE!** Achten Sie darauf, dass der Autogurt an keiner Stelle verdreht ist.

Deutsch

- Wenn der Autogurt richtig befestigt ist, sehen die verschiedenen "Ansichten" folgendermaßen aus:



D

Checkliste...

Überprüfen Sie nach der Montage für eine optimale Sicherheit Ihres Kindes nochmals, ob...

- der Autogurt fest angespannt und nicht verdreht ist.
- das Beckenteil des Autogurts **über** die roten Gurtmarkierungen und den/die Gurtspanner läuft,
- das (diagonale) Schulterteil des Autogurts richtig befestigt ist und durch die zwei Gurtschlitze entlang der rot markierten Rückseite des Maxi-Cosi Tobi läuft,
- beide Gurtarretierungen geschlossen sind,
- der/die Gurtspanner in der angespannten, vertikalen Position steht,
- der Maxi-Cosi Tobi vollkommen fest und stabil montiert ist.

B. Den Maxi-Cosi Tobi herausnehmen

- 11 • Öffnen Sie das Gurtschloss des Autogurts (11).
 - 12 • Öffnen Sie jetzt beide Gurtarretierungen (12).
 - 13 • Lockern Sie den Gurtspanner, indem Sie auf den Knopf drücken (13). Der Gurtspanner springt jetzt nach unten, in die vertikale Position.
 - 14 • Nehmen Sie den Autogurt aus den Gurtschlitzen (14).
- Nehmen Sie den Maxi-Cosi Tobi aus dem Auto.

3. IHR KIND IN DEN MAXI-COSI TOBI SETZEN

3.1 Benutzen Sie das Hosenträger-Gurtsystem

A. Richtige Höhenverstellung des Hosenträgergurts

Bestimmen Sie, bevor Sie das Kind in den Maxi-Cosi Tobi setzen und das Hosenträger-Gurtsystem schließen, zuerst die richtige Höhe der Schultergurte und der Kopfstütze.

- 15 • Öffnen Sie das Gurtschloss (15), indem Sie auf den roten Knopf des Gurtschlusses drücken.
- Die Schultergurte werden jetzt automatisch freigegeben und können ohne weitere Bedienung verlängert werden.
- 16 • Lockern Sie die Schultergurte, indem Sie diese so weit wie möglich nach vorne ziehen (16).
- **BEACHTEN SIE!** Ziehen Sie hierbei nicht an den Gurtpolstern.
- 17 • Setzen Sie Ihr Kind aufrecht in den Maxi-Cosi Tobi und kontrollieren Sie die Gurthöhe (17).
- 18 • **BEACHTEN SIE!** Die richtige Höhe der Schultergurte ist erreicht, wenn die Gurte etwas oberhalb der Schulter in der Schale verschwinden (18).

D

- Die Schultergurte und auch die Kopfstütze sind höhenverstellbar.
- 19 • Stellen Sie die Schultergurte und die Kopfstütze auf die gewünschte Höhe ein, indem Sie die Kopfstütze am Handgriff an der Oberseite gleichzeitig nach vorne und nach oben oder nach unten bewegen (19). Die Schultergurte und Kopfstütze können auf 6 verschiedene Höhen eingestellt werden.

B. Das Kind in den MAXI-COSI TOBI setzen

- Setzen Sie das Kind mit aufrechtem Rücken in den Maxi-Cosi Tobi.
- 20 • Legen Sie die Schlossteile aufeinander (Teil A auf Teil B) und schieben Sie diese in das Gurtschloss, bis ein deutliches "Klicken" hörbar ist (20). Durch Schließen des Schlosses wird das Gurtsystem blockiert. Es kann jetzt nur noch strammer angezogen werden. Um die Gurte eventuell wieder länger zu machen, muss das Schloss zuerst wieder geöffnet werden.
- 21 22 • Ziehen Sie das Hosenträgersystem jetzt straff, indem Sie an den Verstellbändern ziehen (21,1). Ziehen Sie so weit, bis die Anzeige auf dem Gurtschloss grün ist (21,2). Wenn die Anzeige noch auf silber steht, muss der Gurt strammer angezogen werden (22). Achten Sie darauf, dass die Anzeige **beim Wegfahren grün** anzeigt. Sollten Sie das Gefühl haben, dass das Hosenträger-Gurtsystem zu locker sitzt, obwohl die Anzeige auf grün steht, kann der Gurt noch etwas strammer angezogen werden. Dies sorgt für optimale Sicherheit. Es kann vorkommen, dass die Anzeige durch die Bewegungen Ihres Kindes wieder auf silber springt. Das ist normal und hat keine Konsequenzen für die Sicherheit.
- **BEACHTEN SIE!** Je straffer die Gurte an einem Kind anliegen, desto besser ist das Kind geschützt.
- **BEACHTEN SIE!** Achten Sie darauf, dass die Gurtpolster mit der gummierten Seite (Gleitschutz) gut auf den Schultern/der Brust des Kindes liegen.
- **BEACHTEN SIE!** Achten Sie darauf, dass die Gurte nicht verdreht sind oder doppelt liegen.



Benutzen Sie die Gurtpolster immer; sie sind für die Sicherheit Ihres Kindes wichtig.



Erklären Sie dem Kind, dass es niemals mit dem Gurtschloss spielen darf.

3.2 Gebrauchslagen (Verstellen des Sitzes in Sitz- und Liegeposition)

Der Maxi-Cosi Tobi kann auf 5 Positionen eingestellt werden.

- 23 • Drücken Sie den Einstellhebel unter der Vorderseite des Sitzes nach oben und ziehen oder schieben Sie den Sitz nach vorne oder nach hinten (23).
- Lassen Sie den Einstellhebel in der gewünschten Position los und schieben Sie, bis ein deutliches Klicken hörbar ist.
- **BEACHTEN SIE!** Überprüfen Sie, ob der Maxi-Cosi Tobi in der gewünschten Position fest steht, indem Sie am Sitz ziehen.

Checkliste...

Überprüfen Sie vor jeder Fahrt zur Sicherheit und für eine optimale Sicherheit Ihres Kindes nochmals, ob...

- der Maxi-Cosi Tobi vollkommen fest und stabil in das Auto montiert wurde.
- die Höhe der Schultergurte richtig eingestellt ist,
- die Gurte nicht verdreht sind,
- die Gurtpolster mit der gummierten Seite (Gleitschutz) richtig auf den Schultern/der Brust des Kindes liegen,
- das Kind gut straff in den Gurten sitzt, das Gurtschloss geschlossen ist, und die Anzeige auf grün steht,
- das Gurtband des Maxi-Cosi Tobi nicht beschädigt ist. Sollte das der Fall sein, benutzen Sie den Maxi-Cosi Tobi dann keinesfalls, und wenden Sie sich an Ihren Fachhändler oder Importeur.

3.3 Herausnehmen des Kindes

- Stellen Sie den Maxi-Cosi Tobi in die Sitzposition (siehe auch Kapitel 3.2: Gebrauchslagen).
- 24 • Öffnen Sie das Gurtschloss, indem Sie auf den roten Knopf des Gurtschlosses drücken (24).
- 25 • Lockern Sie die Schultergurte, indem Sie diese so weit wie möglich nach vorne ziehen (25).
- Nehmen Sie das Kind aus dem Maxi-Cosi Tobi.

Deutsch

4. PFLEGE

4.1 Allgemeines

- **BEACHTEN SIE!** Nehmen Sie den Maxi-Cosi Tobi für die Reinigung aus dem Auto.
- Reinigen Sie die Kunststoffteile des Sitzes mit einem Tuch mit lauwarmen Wasser und Seife. Verwenden Sie keine aggressiven Reinigungsmittel.
- Die Stoffteile können nach Waschvorschrift auf dem Waschetikett gereinigt werden; Handwäsche mit lauwarmen Wasser und einem Feinwaschmittel.
- **BEACHTEN SIE!** Benutzen Sie **nie** Schmiermittel, auch nicht für die beweglichen Teile des Maxi-Cosi Tobi.

4.2 Bezug

Abnehmen des Bezuges

- 24 25 • Öffnen Sie das Gurtschloss. Lockern Sie die Schultergurte, indem Sie diese so weit wie möglich nach vorne ziehen (24, 25). Lösen Sie an beiden Seiten des Verstellgriffs die elastischen Schlaufen von den Hakenchen.
- 26 27 • Nehmen Sie den elastischen Rand des Bezugs aus den Schalenrinnen und ziehen Sie den Bezug jetzt vorsichtig an der Vorderseite los (26, 27).
 - Nehmen Sie das Gurtschlosspolster ab, indem Sie diese vorsichtig – schräg seitwärts – über das Gurtschloss ziehen. Ziehen Sie den Bezug über das Gurtschloss (von hinten nach vorne).
- 28 • Lösen Sie den Bezug von den Seitenbefestigungen an beiden Seiten der Schale (28).
- 29 • Lösen Sie die Rückenklappe des Bezugs und schlagen Sie diese nach vorne (29).
- 30 • Nehmen Sie den Bezug vorsichtig von den Seiten ab (30).
- 31 • Lösen Sie den Bezug hinter den Gurtarretierungen. Der Bezug ist hier hinter die Gurtarretierungen geschoben (31,1).
 - 31 • Ziehen Sie den Bezug jetzt vorsichtig über die Kopfstütze (31,2).
 - Nehmen Sie den Bezug ab.
- 32 • Nehmen Sie die Gurtpolster von den Schultergurten, indem Sie das Klettband und die Drückknöpfe an der Außenseite lösen (32).
- 33 • Ziehen Sie den Gurt hinter der Lasche mit dem Klettband heraus (33).
- 34 • Schieben Sie die Schnalle aus der Schlaufe des Gurtpolsters (34).
- 35 • Nehmen Sie das Gurtpolster von der Feder (35).
 - Gehen Sie so mit beiden Gurtpolstern vor.
 - Wiederholen Sie obigen Vorgang, mit Ausnahme der Schnalle an den zwei Beckengurtpolstern. Die Beckengurtpolster werden mit dem Klettband am Gurt befestigt.
- 36 • Nehmen Sie den Kopfstützenbezug ab, indem Sie die zwei elastischen Bänder von der unteren Lasche unter das Kunststoffteil herausziehen (36,1).
 - Lösen Sie den Kopfstützenbezug an einer Seite unten und nehmen Sie den Bezug vorsichtig an dieser Seite der Kopfstütze ab.
 - Lösen Sie den Kopfstützenbezug vorsichtig an der Rille unter dem Handgriff über der Kopfstütze.
- 36 • Nehmen Sie den Kopfstützenbezug jetzt vorsichtig ab (36,2).

Reinigung des Bezugs

- Waschen Sie den Bezug und die Schulterpolster mit der Hand (bei höchstens 30°C). Nicht im Wäschetrockner trocknen. Siehe auch die Waschanleitung am Bezug.

Tipp: Es empfiehlt sich, beim Kauf des Maxi-Cosi Tobi gleichzeitig einen zweiten Bezug zu kaufen, so dass Sie den Maxi-Cosi Tobi immer benutzen können, auch wenn Sie einen Bezug waschen und trocknen.

D

D

Befestigung des Bezugs

- In umgekehrter Reihenfolge wieder anbringen!
- **BEACHTEN SIE!** Befestigen Sie zuerst die 4 Gurtpolster und den Kopfstützenbezug, bevor Sie den Bezug wieder anbringen.
- Schieben Sie den Bezug überall gut in die für den Bezug vorgesehenen Schalenrinnen.
- Kontrollieren Sie, ob der Bezug überall straff angezogen und richtig fest sitzt.

4.3 Funktionsweise und Reinigung des Gurtschlusses und des Gurtverstellsystems

Die richtige Funktionsweise des Gurtschlusses und des Gurtverstellsystems trägt erheblich zur Sicherheit des Kindes bei. Ein Nichtfunktionieren des Gurtschlusses und/oder Gurtverstellsystems ist in den meisten Fällen auf Verunreinigungen (Staub, Schmutz, Essensreste usw.) zurückzuführen. Achten Sie darauf, dass das Gurtschloss und das Gurtverstellsystem immer sauber sind. Saugen Sie es z.B. mit einem Staubsauger aus. Wenn das Gurtverstellsystem nicht richtig funktioniert, wenden Sie sich bitte umgehend an Ihren Fachhändler oder Importeur (siehe Rückseite der Gebrauchsanweisung) in Verbindung. Benutzen Sie den Maxi-Cosi Tobi dann keinesfalls!

In nachstehender Liste finden Sie einige möglicherweise auftretende Betriebsstörungen mit zugehörigen Problemlösungen.

A. Störungen am Gurtschloss

- Die Schlossteile werden beim Öffnen des Gurtschlusses verzögert ausgeworfen.
- Das Gurtschloss lässt sich nur mit großem Kraftaufwand öffnen.
- Das Festklicken der Schlossteile in das Gurtschloss verläuft nicht reibungslos (großer Widerstand).
- Das Schloss lässt sich nicht mehr schließen. Die Schlossteile werden wieder ausgeworfen.
- Beim Festklicken des Gurtschlusses ist kein deutliches "Klicken" zu hören.

B. Behebung eventueller Störungen des Schlosses

- Kontrollieren Sie das Schloss auf Verunreinigung und säubern Sie es, indem Sie es ausklopfen, ausspülen, sauber blasen oder z.B. mit einem Staubsauger aussaugen.
- **BEACHTEN SIE!** Benutzen Sie **nie** Schmiermittel!.

Wenn es nicht gelingt, dass Gurtschloss richtig zu schließen, oder Sie nicht sicher sind, ob die Funktionsstörung behoben ist, wenden Sie sich bitte unmittelbar an Ihren Fachhändler oder Importeur (siehe Rückseite der Gebrauchsanweisung). Benutzen Sie den Maxi-Cosi Tobi dann keinesfalls!

5. ALLGEMEINE ANWEISUNGEN**Beachten Sie immer Folgendes...**

- Benutzen Sie den Sitz immer, auch bei kurzen Fahrten in der näheren Umgebung, denn gerade dann geschehen die meisten Unfälle.
- Benutzen Sie den Maxi-Cosi Tobi nur im Auto und nicht im Haus. Der Autositz wurde nicht für die Benutzung im Haus entwickelt.
- Der Maxi-Cosi Tobi darf sowohl auf dem Beifahrersitz als auch auf dem Rücksitz benutzt werden. Auch wenn ein Airbag vorhanden ist! Wir empfehlen Ihnen jedoch, den Kindersitz auf dem Rücksitz zu montieren. Sollte dies nicht möglich sein, und Ihr Auto mit einem Airbag ausgestattet sein, stellen Sie den Vordersitz in die hinterste Position. Lesen Sie bitte auch die Gebrauchsanleitung Ihres Autos. In immer mehr Autos lässt sich der Airbag einfach ausschalten.
- Der Kindersitz muss immer mit dem Autogurt befestigt sein, auch wenn er nicht benutzt wird. Bei einer Notbremsung kann ein nicht befestigter Kindersitz andere Mitfahrer verletzen.
- Achten Sie darauf, dass der Maxi-Cosi Tobi nicht durch schweres Gepäck, verstellbare Sitze oder schließende Türen eingeklemmt oder belastet wird.

Deutsch

- Benutzen Sie den Maxi-Cosi Tobi nie ohne Bezug. Der Bezug darf nur durch einen Originalbezug ersetzt werden, da er zur Sicherheit des Sitzes beiträgt.
- Decken Sie den Maxi-Cosi Tobi immer ab, wenn Sie das Auto in der prallen Sonne parken, da Kunststoff- und Metallteile sehr heiß werden können und der Bezug unnötig verblässen könnte.
- Entfernen Sie keine Logos usw. am Bezug, um den Bezug nicht zu beschädigen.
- Achten Sie darauf, dass kein Gepäck oder lose Gegenstände (beispielsweise auf der Hutablage) im Auto liegen.
Diese Gegenstände können bei einer Notbremsung oder bei einem Zusammenprall zu gefährlichen Projektilen werden!
- Legen Sie bei längeren Fahrten regelmäßig eine Pause ein, damit Ihr Kind Bewegungsfreiheit bekommt.
- Lassen Sie Ihr Kind **nie** unbeaufsichtigt im Auto zurück.
- Bewahren Sie die Gebrauchsanweisung für die zukünftige Benutzung in dem dafür vorgesehenen Fach an der Rückseite des Maxi-Cosi Tobi auf.
- Wir raten Ihnen dringend von der Benutzung gebrauchter Produkte ab, da Sie niemals wissen können, was bisher damit geschah. Die Sicherheit des Kindersitzes wird nur dann vom Hersteller garantiert, wenn er vom Erstbesitzer benutzt wird.
- Der Benutzer ist nicht berechtigt, sowohl am Kindersitz als auch an den Gurten Änderungen vorzunehmen. Etiketten oder Warnhinweise usw., die zum Sitz gehören, dürfen auf keinen Fall entfernt werden!
- Ersetzen Sie den Maxi-Cosi Tobi nach einem Unfall immer. Die Sicherheit des Autositzes kann durch eine mit bloßem Auge nicht sichtbare Beschädigung beeinträchtigt sein.
- Dem Hersteller ist bekannt, dass Autositze Abdrücke im Autositzbezug oder an Autogurten verursachen können. Aufgrund der vorgeschriebenen Sicherheitsnormen und der für die Befestigung erforderlichen Kraft lassen sich diese Abdrücke jedoch nicht vermeiden. Der Hersteller übernimmt keine Verantwortung für eventuell dadurch entstehende Schäden.

Und selbstverständlich...

- Seien Sie selbst ein gutes Vorbild und legen Sie immer Ihren Sicherheitsgurt an!

6. ABFALLTRENNUNG


Für eine optimale und sichere Benutzung von Kindersitzen sollten diese nicht länger als 5 Jahre nach Kaufdatum benutzt werden. Durch den langsamen Verschleiß des Kunststoffs, beispielsweise durch Sonneneinstrahlung (UV), können sich die Eigenschaften des Produkts geringfügig verschlechtern. Für den Fall, dass das Kind zu groß für den Sitz geworden ist, empfehlen wir, den Kindersitz nicht länger zu benutzen und ihn zu entsorgen. Aus Umweltschutzgründen bitten wir den Benutzer am Beginn (Verpackung) und am Ende (Produkteile) der Lebensdauer des Maxi-Cosi Tobi den anfallenden Abfall zu trennen.



Bewahren Sie Verpackungsmaterial aus Plastik außer Reichweite Ihres Kindes auf, um Erstickungsgefahr zu verhindern.

Verpackung	Karton	Papierabfall
	Plastikbeutel	Restabfall
Produkteile	Bezug	Restabfall
	Kunststoffteile	Entsprechend der Charakterisierung/Typisierung des dafür vorgesehenen Containers
	Metallteile	Container für Metall
	Gurtsband	Container für Polyester
	Gurtschloss	Restabfall

7. FORTSETZUNG AUTOSITZ

Typ Autositz	Zulassung nach ECE R44/04		
	Gruppe	Körpergewicht	Alter
 Maxi-Cosi Rodi XR	2 + 3	15 bis 36 kg	Ca. 3,5 bis 12 Jahre

8. GARANTIE

Wir garantieren, dass dieses Produkt unter Einhaltung der zurzeit für dieses Produkt geltenden europäischen Sicherheitsnormen und Qualitätsanforderungen hergestellt wurde und dass es zum Kaufzeitpunkt keinerlei Mängel in Bezug auf Zusammensetzung und Herstellung aufweist. Außerdem wurde das Produkt während des Herstellungsverfahrens verschiedenen Qualitätskontrollen unterzogen. Für den Fall, dass trotz unserer Bemühungen doch während des Garantiezeitraums von 24 Monaten ein Material- und/oder Herstellungsfehler auftreten sollte (bei normaler Verwendung, wie in der Gebrauchsanleitung beschrieben), verpflichten wir uns zur Einhaltung der Garantiebedingungen. Bei Problemen oder Defekten wenden Sie sich bitte an Ihren Fachhändler. Umfassende Informationen zur Anwendung der Garantiebedingungen erhalten Sie beim Fachhändler oder auf der Site: www.maxi-cosi.com.

Die Garantie gilt nicht, wenn:

- Das Produkt entgegen den Angaben in der Gebrauchsanleitung benutzt wird.
- Das Produkt nicht einem von uns anerkannten Lieferanten zur Reparatur angeboten wird.
- Dem Hersteller das Produkt nicht zusammen mit dem Originalkassenbon (vom Fachhandel und/oder Importeur) vorgelegt wird.
- Reparaturen von einem Dritten oder einem nicht anerkannten Verkäufer ausgeführt wurden.
- Der Defekt infolge einer unsachgemäßen, unsorgfältigen Benutzung oder Pflege, Vernachlässigung und Stoßschäden am Textil und am Fahrgestell entstanden ist.
- Es sich um normalen Verschleiß von Teilen (Rädern, drehenden und beweglichen Teilen usw.) handelt, der bei täglichem Gebrauch eines Produkts zu erwarten ist.

Garantiebeginn:

Die Garantiefrist beginnt mit dem Kaufdatum des Produkts.

Garantiezeit:

Die Garantiefrist gilt für einen Zeitraum von 24 aufeinanderfolgenden Monaten. Die Garantie gilt ausschließlich für den Erstbesitzer und ist nicht übertragbar.

Garantie

Was müssen Sie tun?

Bitte heben Sie den beim Kauf des Produkts ausgehändigten Kassenzettel sorgfältig auf. Das Kaufdatum muss auf dem Kassenzettel deutlich angegeben sein. Bei Problemen oder Defekten müssen Sie sich an den Fachhändler wenden. Es besteht kein Anspruch auf Umtausch oder Rücknahme. Reparaturen führen nicht zu einer Verlängerung der Garantiefrist. Produkte, die direkt an den Hersteller zurückgeschickt werden, fallen nicht unter die Garantie.

Diese Garantiebestimmung entspricht der europäischen Richtlinie 99/44/EG vom 25. Mai 1999.

D**9. FRAGEN**

Fragen können Sie telefonisch Ihrem Fachhändler oder Importeur stellen (siehe Rückseite der Gebrauchsanweisung). Sorgen Sie dafür, dass Sie folgende Angaben zur Hand haben:

- Seriennummer, die unten auf dem orange-weißen ECE-Sticker angegeben ist (an der Rückseite des Maxi-Cosi Tobi).
- Marke, Typ und Baujahr des Autos und des Sitzes, auf dem der Maxi-Cosi Tobi benutzt wird.
- Alter (Größe) und Gewicht Ihres Kindes.

Garantie

35

Geachte ouders

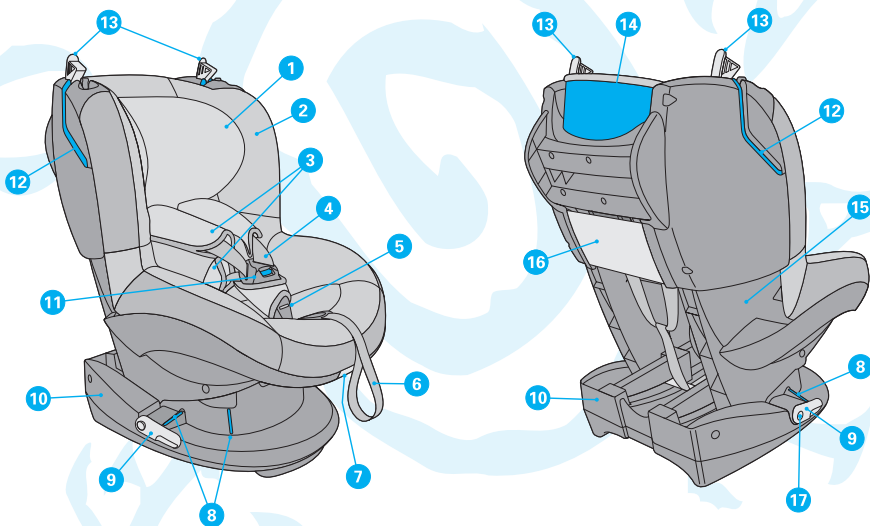
Gefeliciteerd met de aankoop van de Maxi-Cosi Tobi.

Bij de ontwikkeling van de Maxi-Cosi Tobi hebben veiligheid, gebruiksgemak, comfort en design steeds voorop gestaan. Mede hierdoor voldoet dit product aan de meest strenge veiligheidseisen.

Uit onderzoek is gebleken, dat veel kinderautozitjes verkeerd gebruikt worden. Neem daarom de tijd om deze gebruiksaanwijzing goed door te lezen. Alleen bij correct gebruik is de veiligheid van uw kind optimaal gewaarborgd.

Voortdurend onderzoek door onze afdelingen productontwikkeling en marketing; zowel door een intensieve samenwerking met testinstituten, als in overleg met consumenten en klanten, zorgt ervoor dat wij voorop blijven lopen op het gebied van kinderveiligheid voor in de auto. Vragen of opmerkingen met betrekking tot het gebruik van de Maxi-Cosi Tobi vernemen wij dan ook graag van u.

Dorel (adres- en telefoongegevens zie achterzijde gebruiksaanwijzing)



- | | |
|--|---|
| 1. Hoofdsteun | 10. Onderstel |
| 2. Bekleding | 11. Gordelslot |
| 3. Gordelbeschermers | 12. Rode gordelsleuf voor schouderdeel autogordel |
| 4. Schoudergordels - harnessysteem | 13. Gordelklem voor autogordel |
| 5. Indicator gordelspanning | 14. Rode markering voor schouderdeel autogordel |
| 6. Verstelband voor gordelsysteem | 15. Kuip |
| 7. Verstelhendel kuip | 16. Opbergvak gebruiksaanwijzing |
| 8. Rode markering voor heupdeel autogordel | 17. Ontgrendelknop autogordelspanner(s) |
| 9. Spanner(s) voor autogordel | |

SPECIALE EIGENSCHAPPEN

Om de kans op verkeerd gebruik te verkleinen en het gebruiksgemak te verhogen is Maxi-Cosi Tobi van de volgende unieke eigenschappen voorzien:

- Een harnessysteem dat uit zichzelf open “springt” zodra het gordelslot wordt geopend.
- Een indicator op het gordelslot die d.m.v. kleur aangeeft wanneer de gordels voldoende strak zijn afgesteld.
- Een gordelslot dat tevens als bedieningsknop voor het harnessysteem fungeert; d.w.z. bij geopend slot wordt de bediening van de schoudergordels automatisch vrijgemaakt en kunnen de gordels langer gemaakt worden. Is het slot gesloten, dan kunnen de schoudergordels worden aangetrokken tot de indicator “GROEN” geeft. Geen verdere bediening van knoppen meer nodig!

NL

INHOUD

1.	BELANGRIJK: EERST LEZEN!	37
2.	INSTALLEREN EN UITNEMEN VAN DE MAXI-COSI TOBI	38
3.	HET KIND IN DE MAXI-COSI TOBI PLAATSEN	39
3.1	Gebruik harnessysteem	39
3.2	Gebruiksstanden (Verstellen van kuip zit- en lighouding)	40
3.3	Uitnemen van het kind	40
4.	ONDERHOUD	40
4.1	Algemeen	40
4.2	Bekleding	41
4.3	Functioneren en reinigen van het gordelslot	41
5.	ALGEMENE INSTRUCTIES	42
6.	SCHEIDEN VAN AFVAL	43
7.	VERVOLG AUTOZITJES	43
8.	GARANTIE	43
9.	VRAGEN	44

1. BELANGRIJK: EERST LEZEN!

Lees deze gebruiksaanwijzing zorgvuldig door en bewaar deze als naslagwerk. Het niet opvolgen van de gebruiksaanwijzing kan de veiligheid van een kind ernstig schaden.



Gebruik alleen originele accessoires en onderdelen die door de fabrikant zijn toegestaan. Breng geen veranderingen aan het product aan. Als u klachten of problemen heeft, neem dan contact op met uw leverancier of importeur.

Toelating volgens ECE R44/04			
	Groep	Lichaamsgewicht kind	Leeftijd
Maxi-Cosi Tobi	1	9 – 18 kg	9 maanden – 3,5 jaar

Gebruiksaanwijzing

37

2. INSTALLEREN EN UITNEMEN VAN DE MAXI-COSI TOBI

Installatie met 3-puntsgordel (volg rode kleurmarkering op product).



Gebruik de Maxi-Cosi Tobi uitsluitend op een naar voren gerichte zitplaats, die voorzien is van een automatische 3-puntsgordel, mits deze goedgekeurd is volgens ECE R16 of een gelijkwaardige norm.



De juiste loop van de autogordel is van essentieel belang voor de veiligheid van uw kind. De autogordel moet in de juiste volgorde langs de rode markeringen op de Maxi-Cosi Tobi worden aangebracht, zie hiervoor ook de sticker op de zijkant van de Maxi-Cosi Tobi. **Pas nooit een andere gordelloop toe, dan beschreven!**

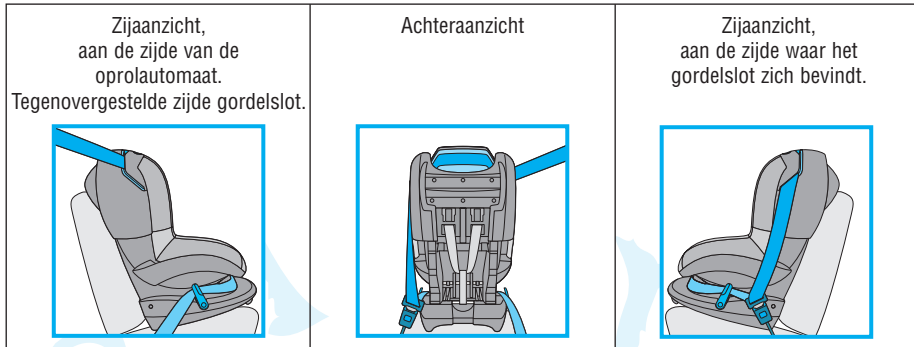


Verwijder de hoofdsteun van de zitplaats waar de Maxi-Cosi Tobi in de auto gebruikt wordt wanneer deze in de weg zit. Vergeet de hoofdsteun niet terug te plaatsen wanneer de zitplaats opnieuw in gebruik wordt genomen.

A. Installeren

- **LET OP!** Vergrendel neerklapbare achterbanken alvorens de Maxi-Cosi Tobi te installeren.
- **LET OP!** Bij sommige zitplaatsen zijn de autogordels zo ver naar voren geplaatst dat een goede installatie onmogelijk wordt. Probeer in dat geval een andere zitplaats.
- 1** • **LET OP!** Zorg ervoor, dat vóór de stoel geïnstalleerd wordt, de autogordelspanners in de goede positie staan door op de ontgrendelknop te drukken (1). De autogordelspanners dienen horizontaal te staan.
- 2** • **LET OP!** Zorg ervoor dat beide autogordelklemmen geopend zijn (2).
- Plaats de Maxi-Cosi Tobi op de autobank.
- 3 4** • Leg de autogordel voor de Maxi-Cosi Tobi langs en **over** (4) de autogordelspanners. Zorg ervoor dat de heupgordel onder de kuip, over de rode gordelmarkeringen loopt (3,1).
- 3** • Maak de autogordel vast in het gordelslot van de auto (3,2).
- 5** • **LET OP!** Het kan voorkomen dat het slotdeel van de autogordel zodanig lang is dat het autogordelslot boven het onderstel van de Maxi-Cosi Tobi uit komt. Hierdoor is de Maxi-Cosi Tobi niet stevig vast te zetten. Kies in dit geval een andere zitplaats in de auto (5). Bovendien kan het slot hierdoor breken!
- 6** • Schuif het schouderdeel van de autogordel, aan de zijde waar ook het gordelslot van de auto zich bevindt, door de rode gordelsleuf op de rugleuning (6).
- 7** • Haal het schouderdeel vervolgens langs de rode markering voor de schoudergordel aan de **achterzijde** van de Maxi-Cosi Tobi (7,1).
- 7** • Schuif deze door de tweede rode gordelsleuf weer naar buiten (7,2).
- 8** • Duw de Maxi-Cosi Tobi stevig in de autobank (8,1) en trek gelijktijdig de schoudergordel goed strak (8,2). De Maxi-Cosi Tobi staat nu stevig in de auto. Controleer dit!
- 9** • Sluit eerst gordelklem aan de gordelslotzijde en vervolgens die aan de andere zijde, richting oprolautomaat (9).
- 10** • Span, als laatste, de gordel strak door de autogordelspanner(s) een kwartslag omhoog te draaien in verticale stand (10). De autogordel wordt nu strakker aangespannen!
- In veel gevallen ontstaat hierbij een knik in de heupgordel. Dit vormt echter geen gevaar voor uw kind en hoort bij een juiste installatie!
- **LET OP!** Zorg ervoor dat beide gordelklemmen bovenop het zitje gesloten zijn.
- **LET OP!** Zorg ervoor dat de autogordel nergens gedraaid zit.

- Wanneer de autogordel goed is geïnstalleerd, zullen de verschillende “aanzichten” er als volgt uitzien:



NL

Checklist ...

Controleer na installatie voor de zekerheid en voor optimale veiligheid voor het kind nogmaals of...

- de autogordel strak aangespannen is en niet verdraaid zit,
- het heupdeel van de autogordel **over** de rode gordelmarkeringen en autogordelspanner(s) loopt,
- het (diagonale) schouderdeel van de autogordel goed is bevestigd en door de beide gordelsleuven, langs de rood gemarkeerde achterzijde van de Maxi-Cosi Tobi loopt,
- beide gordelklemmen gesloten zijn,
- de autogordelspanner(s) op de aangespannen, verticale positie staat,
- de Maxi-Cosi Tobi in zijn geheel vast en stabiel in de auto is geïnstalleerd.

B. Uitnemen van de Maxi-Cosi Tobi

- 11 • Open het gordelslot van de autogordel (11).
- 12 • Open vervolgens beide gordelklemmen (12).
- 13 • Ontspan de autogordelspanner door op de knop te drukken (13). De autogordelspanner zal nu omlaag, in horizontale positie, schieten.
- 14 • Verwijder de autogordel uit de rode gordelsleuven (14).
- Neem de Maxi-Cosi Tobi uit de auto.

3. UW KIND IN DE MAXI-COSI TOBI PLAATSEN

3.1 Gebruik harnessysteem

A. Harnas op de juiste hoogte instellen

Bepaal alvorens het kind in de Maxi-Cosi Tobi te plaatsen en het harnessysteem te sluiten, eerst de juiste hoogte van de schoudergordels en hoofdsteun.

- 15 • Open het gordelslot (15) door op de rode knop van het gordelslot te drukken.
- De schoudergordels worden nu automatisch vrijgemaakt en kunnen zonder verder knopbediening langer gemaakt worden.
- 16 • Maak de schoudergordels losser door deze zover mogelijk naar voren te trekken (16).
- **LET OP!** Trek hierbij niet aan de gordelbeschermers.
- 17 • Plaats het kind met de rug goed rechtop in de Maxi-Cosi Tobi en controleer de gordelhoogte (17).
- 18 • **LET OP!** De hoogte van de schoudergordels is correct, wanneer deze iets boven de schouders in de kuip verdwijnen (18).
- De schoudergordels zijn in hoogte te verstellen in combinatie en door middel van de hoofdsteun.
- 19 • Om schoudergordels en hoofdsteun naar de gewenste hoogte te verplaatsen, de hoofdsteun aan het handvat aan de bovenzijde tegelijkertijd naar voren en omhoog of omlaag bewegen (19). De schoudergordels inclusief hoofdsteun kunnen in 6 verschillende hoogtes gezet worden.

B. Het kind in de Maxi-Cosi Tobi plaatsen

- Plaats het kind met de rug goed rechtop in de Maxi-Cosi Tobi.
- 20** • Leg de slotdelen op elkaar (deel A op deel B) en steek deze in het gordelslot met een duidelijk hoorbare “klik” (20). Door het sluiten van het slot is het gordelsysteem geblokkeerd en kan alleen nog strakker getrokken worden. Om de gordels eventueel langer te maken, moet het slot eerst weer geopend worden.
- 21 22** • Trek nu het harnessysteem strak door aan de verstelband te trekken (21,1). Trek totdat de indicator op het gordelslot groen is geworden (21,2). Wanneer deze nog op zilver staat dient de gordel strakker aangetrokken te worden (22). Zorg ervoor dat **bij het wegrijden** de indicator op groen staat. Mocht u het gevoel hebben dat de harnasgordel nog los aanvoelt terwijl de indicator al op groen staat dan kan de gordel alsnog strakker getrokken worden. Dit zorgt voor optimale veiligheid. Het kan voorkomen dat tijdens de autorit door de bewegingen van uw kind de indicator weer op zilver gaat. Dit is normaal en heeft geen gevolgen voor de veiligheid.
- **LET OP!** Hoe strakker de gordels om een kind zitten, hoe beter het kind beschermd is.
- **LET OP!** Zorg ervoor dat de gordelbeschermers zich met de geprofileerde (anti-slip) zijde goed op de schouders/borst van het kind bevinden.
- **LET OP!** Zorg ervoor dat de gordels niet gedraaid of dubbel zitten.



Gebruik de gordelbeschermers altijd; ze zijn belangrijk voor de veiligheid van een kind.



Maak het kind duidelijk dat het nooit met het gordelslot mag spelen.

3.2 Gebruiksstanden (Verstellen van zitting in zit- en lighouding)

De Maxi-Cosi Tobi is in 5 standen verstelbaar.

- 23** • Druk de verstelhendel onder de voorkant van de zitting omhoog en trek of duw de zitting naar voren of naar achteren (23).
- Laat de verstelhendel in de gewenste positie los en duw tot een duidelijke klik hoorbaar is.
- **LET OP!** Controleer of de Maxi-Cosi Tobi vast staat in de gewenste stand door aan het zijte te trekken.

Checklist...

Controleer voor iedere rit voor de zekerheid en voor optimale veiligheid voor het kind nogmaals of...

- de Maxi-Cosi Tobi in zijn geheel vast en stabiel in de auto is geïnstalleerd,
- de hoogte van de schoudergordels goed is ingesteld,
- de gordels niet gedraaid zitten,
- de gordelbeschermers met de geprofileerde (anti-slip) zijde goed op de schouders/borst van het kind liggen,
- het kind goed strak in het harnessysteem zit, het gordelslot gesloten is en de indicator op groen staat,
- het gordelband in de Maxi-Cosi Tobi niet beschadigd is. Indien dit het geval is, gebruik de Maxi-Cosi Tobi dan in geen geval en neem contact op met uw leverancier of importeur.

3.3 Uitnemen van het kind

- Plaats de Maxi-Cosi Tobi in zitstand (zie tevens hoofdstuk 3.2: Gebruiksstanden).
- 24** • Open het gordelslot door op de rode knop van het gordelslot te drukken (24).
- 25** • Maak de schoudergordels losser door deze zover mogelijk naar voren te trekken (25).
- Neem het kind uit de Maxi-Cosi Tobi.

4. ONDERHOUD**4.1 Algemeen**

- **LET OP!** Doe dit alleen wanneer de Maxi-Cosi Tobi buiten de auto staat.
- Reinig de kunststofdelen van het zijte met een doekje met lauw water en zeep. Gebruik hierbij geen agressieve middelen.
- De stofdelen kunnen gereinigd worden volgens instructie op het waslabel; handwas met lauwwarm water en een fijnwasmiddel.
- **LET OP!** Gebruik **nooit** smeermiddelen, ook niet voor de bewegende delen van de Maxi-Cosi Tobi.

4.2 Bekleding

Verwijderen bekleding

- 24 25 • Open het gordelslot. Maak de schoudergordels losser door deze zo ver mogelijk naar voren te trekken (24, 25). Maak de elastieken lusjes los van de haakjes aan weerszijden van de verstelhendel.
- 26 27 • Verwijder de elastische rand van de bekleding uit de gootjes van de kuip en trek vervolgens de bekleding voorzichtig aan de voorkant los (26, 27).
- Verwijder de gordelslotbeschermer door deze voorzichtig – schuin zijwaarts – over het gordelslot te trekken. Haal de bekleding over het gordelslot (van achter naar voor).
- 28 • Maak de bekleding los van de zijpunten aan weerszijde van de kuip (28).
- 29 • Maak de rugflap van de bekleding los en sla deze naar voren (29).
- 30 • Verwijder de bekleding voorzichtig van de zijkanten (30).
- 31 • Maak de bekleding achter de gordelklemmen los. De bekleding zit hier achter de gordelklemmen geschoven (31,1).
- 31 • Trek nu de bekleding voorzichtig over de hoofdsteun heen (31,2).
- Verwijder de bekleding.
- 32 • Verwijder de gordelbeschermers van de schoudergordels door aan de buitenzijde het klittenband en de drukkers los te trekken (32).
- 33 • Haal de gordel achter het flapje met het klittenband uit (33).
- 34 • Schuif de gesp uit de lus van de gordelbeschermer (34).
- 35 • Haal de gordelbeschermer van de veer af (35).
- Doe dit met beide gordelbeschermers.
- Herhaal bovenstaande, met uitzondering van de gesp, bij de twee heupgordelbeschermers. De heupgordelbeschermers worden aan de gordel bevestigd met klittenband.
- 36 • De hoofdsteunbekleding verwijderen door de twee elastieken van de benedenflap onder het kunststof deel uit te halen (36,1).
- Maak de hoofdsteunbekleding aan één zijde onder aan een punt los en verwijder voorzichtig de bekleding aan deze zijde van de hoofdsteun.
- Maak de hoofdsteunbekleding voorzichtig los bij het gootje onder de handgreep bovenaan de hoofdsteun.
- 36 • Verwijder nu voorzichtig de hoofdsteunbekleding (36,2).

Reinigen bekleding

- Was bekleding en gordelbeschermers met de hand (maximaal 30°C). Gebruik geen wasdroger. Zie ook de wasinstructies op de bekleding.

Tip: Het is verstandig, meteen bij aanschaf van de Maxi-Cosi Tobi, een extra bekleding te kopen zodat u de Maxi-Cosi Tobi steeds kunt blijven gebruiken, ook tijdens het wassen en drogen van de bekleding.

Terugplaatsen bekleding

- Herhaal bovenstaande stappen in omgekeerde volgorde!
- **LET OP!** Bevestig eerst de 4 gordelbeschermers en de hoofdsteunbekleding alvorens de bekleding terug te plaatsen.
- Schuif de bekleding overal goed in de bekledinggootjes van de kuip.
- Controleer of de bekleding overal strakgespannen is en goed vast zit.

4.3 Functioneren en reinigen van het gordelslot en gordelverstelsysteem

Het goed functioneren van het gordelslot en gordelverstelsysteem is van zéér groot belang voor de veiligheid van het kind. Het niet functioneren van het gordelslot en/of gordelverstelsysteem is meestal te wijten aan verontreiniging (stof, vuil, etensresten, etc...). Zorg dat u het gordelslot en gordelverstelsysteem schoon houdt door uitzuigen met bijv. een stofzuiger. Wanneer het gordelverstelsysteem niet goed functioneert, neem dan direct contact op met de leverancier of importeur (zie achterzijde van de gebruiksaanwijzing). Gebruik de Maxi-Cosi Tobi dan in geen geval!

In onderstaande lijst wordt een aantal mogelijke functiestoringen gegeven met bijpassende onderhoudsoplossing.

A. Storingen aan het gordelslot

- De slotdelen worden bij het openen van het gordelslot vertraagd uitgeworpen.
- Het gordelslot laat zich alleen met veel kracht openen.
- Het vastklikken van de slotdelen in het gordelslot verloopt niet soepel (veel weerstand).
- Het slot kan niet meer gesloten worden, de slotdelen worden weer uitgeworpen.
- Bij het sluiten van het gordelslot is geen duidelijke "klik" hoorbaar.

B. Oplossen eventuele storing van slot

- Controleer het slot op verontreiniging en maak het indien nodig schoon, door uitkloppen, uitspoelen, schoonblazen of uitzuigen met bijv. een stofzuiger.
- **LET OP!** Gebruik **nooit** smeermiddelen!

Wanneer het niet lukt om het gordelslot goed te sluiten of indien u er niet zeker van bent dat de functiestoring verholpen is, neem dan direct contact op met de leverancier of importeur (zie achterzijde van de gebruiksaanwijzing). Gebruik de Maxi-Cosi Tobi dan in geen geval!

5. ALGEMENE INSTRUCTIES**Let altijd op het volgende...**

- Gebruik het zitje áltijd, ook bij korte ritjes dicht bij huis, want juist dan gebeuren de meeste ongelukken.
- Gebruik de Maxi-Cosi Tobi alleen in de auto en niet in huis. Het autozitje is niet ontworpen voor gebruik in huis.
- De Maxi-Cosi Tobi mag zowel op de voorstoel als op de achterbank worden gebruikt. Ook bij aanwezigheid van een airbag! Wij adviseren u echter het zitje op de achterbank te plaatsen. Indien dat niet mogelijk is, zorg er dan in ieder geval voor dat bij aanwezigheid van een airbag de voorstoel in de achterste stand staat. Raadpleeg ook de handleiding van de auto; in steeds meer auto's is de airbag eenvoudig uit te schakelen.
- Het zitje moet altijd met de autogordel bevestigd zijn, ook wanneer het niet gebruikt wordt. Een los zitje kan al bij een noodstop andere passagiers verwonden.
- Zorg ervoor dat de Maxi-Cosi Tobi niet beknelde of belast wordt door zware bagage, verstelbare stoelen of dichtslaan de deuren.
- Gebruik de Maxi-Cosi Tobi nooit zonder bekleding. Vervang de bekleding niet door een andere bekleding dan een originele, omdat de bekleding deel uitmaakt van de totale veiligheid van het zitje.
- Dek de Maxi-Cosi Tobi altijd af als de auto in de volle zon geparkeerd wordt; kunststof- en metaaldelen kunnen erg heet worden, dit kan tot brandwonden leiden en de bekleding kan onnodig verkleuren.
- Logo's etc. op de bekleding niet verwijderen, dit om beschadigingen aan de bekleding te voorkomen.
- Zorg ervoor dat er geen bagage of andere losse objecten (bijvoorbeeld op de hoedenplank) in de auto liggen. Deze veranderen bij een noodstop of botsing in gevaarlijke projectielen!
- Pauzeer bij langere ritten regelmatig om uw kind wat bewegingsvrijheid te geven.
- Laat uw kind **nooit** alleen in de auto achter.
- Bewaar voor toekomstig gebruik, de gebruiksaanwijzing in de daarvoor bestemde ruimte achterop de Maxi-Cosi Tobi.
- Gebruik nooit tweedehands producten, u weet immers nooit wat er mee is gebeurd. De veiligheid van het zitje kan uitsluitend door de fabrikant worden gegarandeerd wanneer het gebruikt wordt door de eerste eigenaar.
- Zowel aan een autozitje voor kinderen, als aan de gordels mogen geen veranderingen worden aangebracht door de gebruiker. Ook labels of waarschuwingen etc. die deel uitmaken van het zitje mogen absoluut niet worden verwijderd!
- Vervang de Maxi-Cosi Tobi na een ongeval altijd; het autozitje kan door niet direct waarneembare schade onveilig zijn geworden.
- De fabrikant houdt rekening met het feit dat autozitjes indrukken kunnen veroorzaken in de autobekleding of autogordels. Door de voorgeschreven veiligheidsnormen en de kracht waarmee deze moeten worden aangespannen, laat dit zich echter niet vermijden. De fabrikant is niet verantwoordelijk voor eventuele schade hierdoor ontstaan.

En vanzelfsprekend...

- Geef zelf het goede voorbeeld en draag altijd uw autogordel!

6. SCHEIDEN VAN AFVAL

Voor een optimaal en veilig gebruik van autozitjes, zouden deze niet langer dan 5 jaar na de aankoopdatum gebruikt moeten worden. Door de langzame veroudering van kunststof, o.a. door zonlicht (UV), kunnen de eigenschappen van het product onmerkbaar achteruit gaan.

Indien het kind uit het zitje is gegroeid, adviseren wij dan ook het autozitje niet langer te gebruiken en dit bij het afval te plaatsen.

Vanuit onze zorg over het milieu verzoeken wij de gebruiker; bij begin (verpakking) en einde (productonderdelen) van de levensduur van de Maxi-Cosi Tobi; het ontstane afval te scheiden.


NL



Houd plastic verpakkingsmateriaal uit de buurt van uw kind om verstikkingsgevaar te voorkomen.

Verpakking	Kartonnen doos	Papierafval
	Plastic zak	Restafval
Productonderdelen	Bekleding	Restafval
	Kunststofdelen	Overeenkomstig de karakterisering/typering van de daarvoor bestemde container
	Metaaldelen	Container voor metaal
	Gordelband	Container voor polyester
	Gordelslot	Restafval

7. VERVOLG AUTOZITJES

Type autozitje	Goedgekeurd volgens ECE R44/04		
	Groep	Lichaamsgewicht kind	Leeftijd
 Maxi-Cosi Rodi XR	2 + 3	15 tot 36 kg	3,5 tot 12 jaar

8. GARANTIE

Wij garanderen dat dit product werd vervaardigd conform de actuele Europese veiligheidsnormen en kwaliteitseisen zoals die voor dit product gelden en dat dit product op het moment van aankoop, door de detailhandelaar, geen enkel gebrek vertoont op het gebied van samenstelling en fabricage. Tevens werd het product tijdens het productieproces aan diverse kwaliteitscontroles onderworpen. Indien er zich, ondanks onze inspanningen gedurende de garantieperiode van 24 maanden, toch een materiaal- en/of fabricagefout voordoet (bij normaal gebruik, zoals omschreven in de gebruiksaanwijzing), dan verplichten wij ons ertoe de garantievoorwaarden te respecteren. Je dient je dan tot de verkoper te wenden. Voor een uitgebreide informatie betreffende de toepassing van de garantievoorwaarden kun je de verkoper raadplegen of kijken op: www.maxi-cosi.com.

De garantie is uitgesloten in de volgende gevallen:

- Bij gebruik en doel anders dan voorzien in de gebruiksaanwijzing.

Garantie

43

- Het product via een niet erkende verkoper ter reparatie wordt aangeboden.
- Het product niet met de originele aankoopbon (via winkelier en/of importeur) wordt aangeboden aan de fabrikant.
- Reparaties werden uitgevoerd door een derde of niet erkende verkoper.
- Het defect het gevolg is van verkeerd, onzorgvuldig gebruik of onderhoud, door verwaarlozing of door stootschade aan stof en/of onderstel.
- Er sprake is van normale slijtage aan onderdelen, die men bij het dagelijkse gebruik van een product mag verwachten (wielen, draaiende en bewegende delen....enz...).

Vanaf wanneer?

De garantieperiode gaat in op de aankoopdatum van het product.

Voor welke periode?

Voor een periode van 24 opeenvolgende maanden. De garantie geldt uitsluitend voor de eerste eigenaar en is niet overdraagbaar.

Wat moet je doen?

Bij de aankoop van het product dient het aankoopbewijs zorgvuldig bewaard te worden. De aankoopdatum moet duidelijk zichtbaar zijn op het aankoopbewijs. Bij problemen of defecten dien je je tot de verkoper te wenden. Omruiling of terugname kan niet worden geëist. Reparaties geven geen recht op verlenging van de garantieperiode. Producten die rechtstreeks naar fabrikant retour worden gezonden, komen niet voor garantie in aanmerking.

Deze Garantiebepaling is in overeenstemming met de Europese Richtlijn 99/44/EG dat. 25 mei 1999.

9. VRAGEN

Maxi-Cosi heeft een speciaal team beschikbaar gesteld om alle vragen omtrent Maxi-Cosi producten en het gebruik ervan te beantwoorden. Het Consumenten Contact Team is te bereiken via www.maxi-cosi.com. Zorg dat u de volgende gegevens paraat heeft:

- Serienummer onderaan op de oranje-witte ECE-sticker (op de achterzijde van de Maxi-Cosi Tobi).
- Merk, type en bouwjaar van de auto en de zitplaats waarop de Maxi-Cosi Tobi wordt gebruikt.
- Leeftijd (lengte) en gewicht van uw kind.

Garantie

Estimados padres

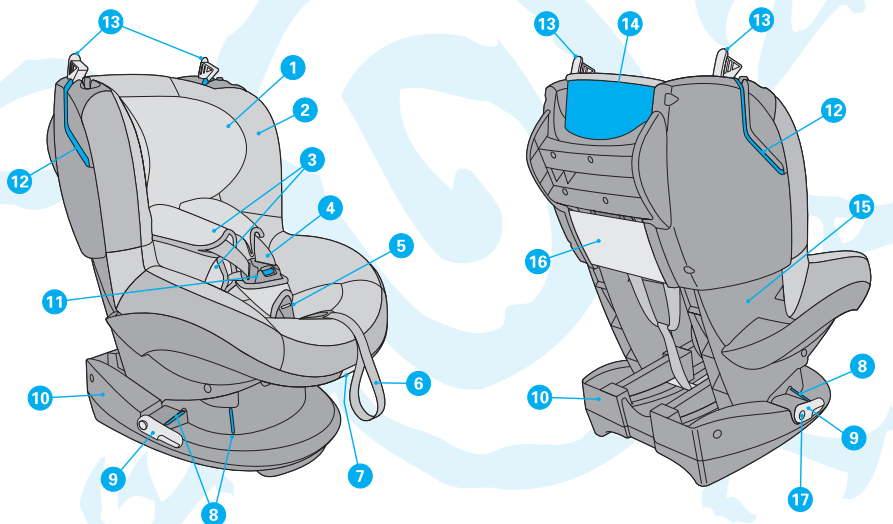
Os felicitamos por la compra de esta Maxi-Cosi Tobi.

En el diseño y fabricación de la Maxi-Cosi Tobi hemos considerado la seguridad, la comodidad, la sencillez de uso y el diseño como los factores más importantes a tener en cuenta. Este producto cumple con los requisitos de seguridad más exigentes.

En investigaciones llevadas a cabo se ha constatado que, a menudo, se hace mal uso de las sillas de seguridad para el automóvil. Por ello, te rogamos leer atentamente este manual de instrucciones. La seguridad de tu hijo sólo estará garantizada si se utiliza este producto correctamente.

Gracias a los continuos estudios llevados a cabo por nuestro Departamento de Investigación y Desarrollo, a los grupos de prueba de nuestros productos y a las sugerencias de consumidores, estamos a la vanguardia en seguridad infantil en el automóvil. Por esto, será un placer para nosotros responder a cualquier pregunta u observación que os pueda surgir respecto al uso de la Maxi-Cosi Tobi.

Dorel (dirección y datos de contacto telefónico: véase el reverso de las instrucciones de uso)



- | | |
|---|--|
| 1. Reposacabezas | 10. Laterales de la silla |
| 2. Vestidura | 11. Hebilla del arnés |
| 3. Protegearneses | 12. Pasaje rojo lateral del cinturón dorsal del automóvil |
| 4. Arnés | 13. Pinzas del cinturón dorsal del automóvil |
| 5. Indicador de tensión del arnés | 14. Pasaje rojo trasero del cinturón dorsal del automóvil |
| 6. Cinta reguladora del arnés | 15. Carcasa de la silla |
| 7. Regulador de inclinación de la silla | 16. Compartimiento para guardar el manual de instrucciones |
| 8. Pasaje rojo para el cinturón abdominal del automóvil | 17. Botón de desbloqueo de los tensor(es) del cinturón |
| 9. Tensor del cinturón abdominal del automóvil | |

Español

CARACTERÍSTICAS EXCLUSIVAS

Para reducir el riesgo de montaje incorrecto e incrementar la facilidad de uso, Maxi-Cosi Tobi cuenta con las siguientes características:

- Un sistema de arneses que se abren automáticamente cuando se abre la hebilla del arnés
- Un indicador de color en la hebilla del arnés indica si los arneses están correctamente tensados.
- La hebilla del arnés actúa también como dispositivo de regulación de la tensión del arnés: cuando la hebilla está abierta, la regulación del arnés esta activada, permitiendo dar longitud al arnés. Cuando la hebilla está cerrada el arnés puede tensarse, hasta que en el indicador aparezca el color "VERDE". ¡Ya no es necesario ningún otro paso!

ÍNDICE

1.	IMPORTANTE: PRIMERO, LEE LAS INSTRUCCIONES DE USO	46
2.	INSTALACIÓN Y DESINSTALACIÓN DE LA MAXI-COSI TOBI	47
3.	CÓMO COLOCAR AL NIÑO EN LA MAXI-COSI TOBI	48
3.1	Uso del sistema de arneses	48
3.2	Reclinado de la silla	49
3.3	Cómo sacar al niño de la silla	49
4.	MANTENIMIENTO	50
4.1	General	50
4.2	Vestidura	50
4.3	Funcionamiento y limpieza de la hebilla del arnés y del sistema de ajuste del cinturón ..	51
5.	INSTRUCCIONES GENERALES	51
6.	SEPARACIÓN DE RESIDUOS	52
7.	OTRAS SILLAS DE AUTO	52
8.	GARANTÍA	53
9.	PREGUNTAS	54

1. IMPORTANTE: PRIMERO, LEE LAS INSTRUCCIONES

Lee detenidamente el manual de instrucciones y guárdalo para futuras consultas. La inobservancia de las instrucciones de uso puede afectar gravemente a la seguridad del niño.






Utiliza solamente accesorios originales y piezas homologadas por el fabricante. No modifiques el producto. Si tienes problemas con el producto o quieres presentar una reclamación, puedes ponerte en contacto con el fabricante o con el distribuidor.

Homologado según la ECE R44/04			
	Grupo	Peso del niño	Edad
Maxi-Cosi Tobi	1	9 – 18 kg	Aprox. 9 meses y 3,5 años

2. INSTALACIÓN Y DESINSTALACIÓN DE LA MAXI-COSI TOBI

Instalación con cinturón de seguridad de 3 puntos (sigue los pasajes rojos del producto)

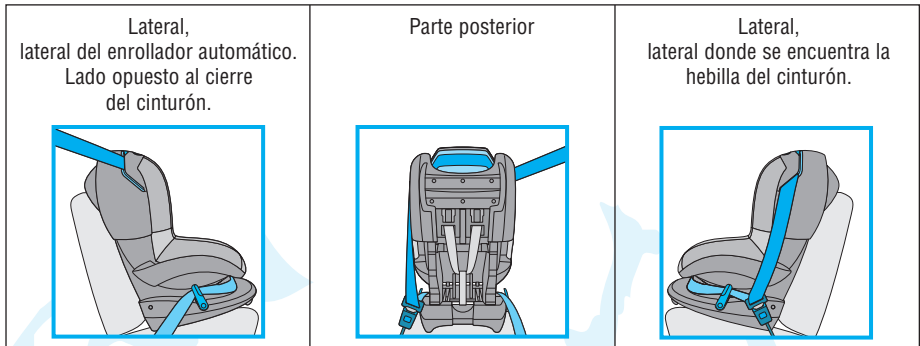
-  Utiliza la silla de auto Tobi sólo en sentido a la marcha, en asientos provistos de cinturón de seguridad de 3 puntos, que estén homologado en virtud de la normativa ECE R16 o por una normativa equivalente.
-  Es fundamental para la seguridad de tu hijo que el recorrido del cinturón de seguridad sea el adecuado. El cinturón de seguridad se deberá colocar en el orden correcto, a lo largo de las marcas rojas de la Maxi-Cosi Tobi; para ello, consulta el adhesivo situado en el lateral de la Maxi-Cosi Tobi. **¡Nunca realices los pasajes del cinturón de forma distinta a la descrita!**
-  Retira el respesacabezas del asiento en el que instales la silla Maxi-Cosi Tobi si éste supone un obstáculo. No olvides colocarlo de nuevo cuando se vuelva a utilizar el asiento de forma normal.

A. Instalación

- **¡ATENCIÓN!** Bloquea los respaldos abatibles de los asientos traseros antes de instalar la Maxi-Cosi Tobi.
- **¡ATENCIÓN!** En algunos asientos los cinturones del automóvil están situados tan hacia adelante que hacen que sea imposible una correcta instalación. En estos casos, inténtalo en otro asiento.
- 1** • **¡ATENCIÓN!** Antes de instalar la silla de auto asegúrate de que los tensores del cinturón están en posición correcta, pulsando el botón de desbloqueo (1). Los tensores del cinturón deberán estar en posición horizontal.
- 2** • **¡ATENCIÓN!** Asegúrate de que están abiertas ambas pinzas del cinturón dorsal del automóvil (2).
- Coloca el Maxi-Cosi Tobi sobre el asiento del automóvil.
- 3 4** • Coloca el cinturón de seguridad delante del Maxi-Cosi Tobi, pasándolo por encima de los tensores del cinturón abdominal. Asegúrate de que el cinturón abdominal pasa por la zona de la carcasa que hay debajo del asiento, y **por encima** (4) de las marcas rojas (3,1).
- 3** • Cierra el cinturón de seguridad del automóvil (3,2).
- 5** • **¡ATENCIÓN!** Es posible que el cinturón abdominal del automóvil sea tan largo que el cierre del cinturón de seguridad quede por encima de los laterales de la Maxi-Cosi Tobi. Debido a ello Tobi puede no quedar suficientemente fija. En estos casos, elige otro asiento dentro del vehículo (5). ¡Además, podría causar la rotura del cierre del cinturón!
- 6** • Coloca la parte dorsal del cinturón del automóvil por el lado donde se encuentra el cierre del cinturón, haciéndola pasar por la ranura roja situada en el lateral de la silla de auto (6).
- 7** • A continuación pasa el resto de la parte dorsal del cinturón del automóvil por el pasaje rojo situado en la parte trasera de la Maxi-Cosi Tobi (7,1).
- 7** • Pásala también por la segunda ranura roja situada en el otro lateral de la silla (7,2).
- 8** • Empuja la Tobi con fuerza para colocarla en el asiento del automóvil (8,1) y tira al mismo tiempo de la parte dorsal del cinturón del automóvil tensándola bien (8,2). Asegúrate de que tu Maxi-Cosi Tobi está bien sujeta en el coche, comprobando todos los pasos.
- 9** • Cierra en primer lugar la pinza del cinturón dorsal situada al lado del cierre del cinturón y, a continuación, la del lado opuesto, en dirección al enrollador automático (9).
- 10** • Por último, tensa la parte inferior del cinturón girando el/los tensor(es) del cinturón un cuarto de vuelta hacia arriba, quedando en posición vertical (10). ¡Ahora está ya bien tenso el cinturón de seguridad!
- Con esta maniobra, en muchos casos se crea un codo en la parte abdominal del cinturón. ¡Esa circunstancia no supone ningún peligro para el niño y es típico de una buena instalación!
- **¡ATENCIÓN!** Asegúrate de que ambas pinzas para el cinturón están cerradas en la parte superior de la silla.
- **¡ATENCIÓN!** Asegúrate de que el cinturón de seguridad no esté retorcido.

Modo de empleo

- Cuando el cinturón de seguridad está bien instalado las diferentes partes de la silla se verán del modo siguiente:



Lista de comprobaciones...

Una vez realizada la instalación comprueba de nuevo, para mayor seguridad de tu hijo, que...

- El cinturón de seguridad está bien tensado y no queda retorcido,
- La parte abdominal del cinturón de seguridad pasa **por encima** de las marcas rojas y del/de los tensor(es) del cinturón,
- La parte dorsal del cinturón de seguridad está bien fijada y pasa por ambas ranuras laterales, y a lo largo de la parte trasera marcada en rojo de la Maxi-Cosi Tobi,
- ambas pinzas del cinturón dorsal del automóvil están cerradas,
- el/los tensor(es) del cinturón abdominal está(n) tensados y en posición vertical,
- la Maxi-Cosi Tobi se encuentra correctamente anclada en el automóvil y no se mueve.

B. Desinstalación de la Maxi-Cosi Tobi

- 11 • Suelta el cierre del cinturón de seguridad (11).
- 12 • A continuación, abre ambas pinzas del cinturón (12).
- 13 • Destensa el tensor del cinturón abdominal pulsando el botón (13). En ese momento, el tensor del cinturón se desplazará hacia abajo con rapidez, colocándose en posición horizontal.
- 14 • Saca el cinturón de seguridad de las ranuras del cinturón (14).
- Saca la Maxi-Cosi Tobi del automóvil.

3. CÓMO COLOCAR AL NIÑO EN LA MAXI-COSI TOBI

3.1 Uso del sistema de arneses

A. Ajustar el arnés a la altura adecuada

Antes de colocar al niño en el Maxi-Cosi Tobi y de cerrar el arnés, ajusta correctamente la altura de los arneses y del reposacabezas.

- 15 • Abre la hebilla del arnés (15) accionando el botón rojo situado sobre la hebilla.
- 16 • Así se liberan automáticamente los arneses, pudiéndolos alargar sin necesidad de pulsadores. Afloja los arneses tirando de ellos (todo lo posible) hacia delante (16).
- ¡ATENCIÓN! No tires de los protegearneses.
- 17 • Coloca al niño con la espalda bien derecha en el Maxi-Cosi Tobi y comprueba la altura de los arneses (17).

- 18 • **¡ATENCIÓN!** Los arneses están a la altura correcta cuando entran en el respaldo del asiento a una altura ligeramente por encima de los hombros del niño (18).
- La altura de los arneses y del reposacabezas se regulan simultáneamente a través del reposacabezas..
- 19 • Para situar los arneses y el reposacabezas a la altura deseada, tira del asa del reposacabezas hacia delante, y luego hacia arriba o hacia abajo simultáneamente (19). Los arneses junto con el reposacabezas se pueden ajustar en 6 posiciones.

B. Cómo colocar al niño en la Maxi-Cosi Tobi

- Coloca a tu hijo con la espalda bien recta en la Maxi-Cosi Tobi.
- 20 • Coloca los dispositivos de cierre de la hebilla uno sobre otro (elemento A sobre el elemento B) e introdúzcalos en la hebilla del cinturón hasta oír claramente un “clic” (20). Activando el cierre se bloquea el cinturón, de modo que la única acción que se puede hacer es apretarlo más. Para alargar los arneses se debe abrir el cierre previamente.
- 21 22 • Aprieta el sistema de arneses tirando de cinta reguladora del arnés (21,1). Tira hasta que el indicador de la hebilla del cinturón muestre el color verde (21,2). Si se muestra el color plateado, se deberá apretar aún más el cinturón (22). Asegúrate de que, **antes de partir**, el indicador muestra el color verde. Si tuvieras la sensación de que el cinturón del arnés aún está algo suelto, aunque el indicador muestre el color verde, puedes apretarlo aún más. De este modo se optimizará la seguridad. Puede ocurrir que, durante el trayecto, los movimientos del niño hagan que el indicador salte al color plateado. Esto es normal y no afecta a la seguridad.
- **¡ATENCIÓN!** Cuanto más apretados al niño estén los arneses, más seguro estará tu hijo.
- **¡ATENCIÓN!** Comprueba que los protegearneses están correctamente colocados, con el lado antideslizante sobre los hombros y el pecho del niño.
- **¡ATENCIÓN!** Comprueba que los arneses no estén retorcidos o doblados.



Usa siempre los protegearneses; son de gran importancia para la seguridad de tu hijo.



Dile claramente a tu hijo que no debe jugar nunca con la hebilla del arnés.

3.2 Reclinado de la silla

La Maxi-Cosi Tobi se puede inclinar en 5 posiciones.

- 23 • Tira hacia arriba del regulador de inclinación de la silla. Tira del asiento hacia adelante o hacia atrás (23).
- Cuando la silla se encuentre en la inclinación adecuada, suéltala el regulador y empuja hasta oír claramente un “clic”.
- **¡ATENCIÓN!** Comprueba que la Maxi-Cosi Tobi está anclada en la posición deseada tirando de la silla.

Lista de comprobaciones...

Antes de salir con el automóvil, comprueba de nuevo para mayor seguridad de tu hijo que...

- la Maxi-Cosi Tobi se encuentra correctamente anclada en el automóvil y no se mueve;
- los arneses están a la altura adecuada;
- los arneses no están retorcidos;
- Comprueba que los protegearneses están colocados adecuadamente por el lado antideslizante sobre los hombros y el pecho del niño.
- el niño está bien sujeto por el arnés, la hebilla del arnés está cerrada y el indicador está en verde;
- los arneses de la Maxi-Cosi Tobi no están dañados. Si no es así, no utilices la Maxi-Cosi Tobi en ningún caso y pónle en contacto con el distribuidor o el fabricante.

E

3.3 Como sacar el niño de la silla

- Coloca la Maxi-Cosi Tobi en la posición más sentada (véase también el capítulo 3,2: Posiciones de uso).
- 24** • Abre la hebilla del arnés accionando el botón rojo situado sobre la hebilla (24).
- 25** • Afloja los arneses tirando del arnés hacia ti todo lo que puedas (25).
- Saca al niño de la Maxi-Cosi Tobi.

E

4. MANTENIMIENTO

4.1 General

- ¡**ATENCIÓN!** Hazlo sólo cuando la Maxi-Cosi Tobi se encuentre fuera del automóvil.
- Limpia los componentes de plástico de la silla con un paño y agua templada con jabón. No utilices productos de limpieza agresivos.
- Los tapizados se limpian siguiendo las instrucciones de la etiqueta de lavado; se deben lavar a mano con agua templada y un detergente suave.
- ¡**ATENCIÓN!** Nunca utilices productos engrasantes, ni siquiera en las partes móviles de la Maxi-Cosi Tobi.

4.2 Tapizado

Desmontaje de la vestidura

- 24 25** • Abre la hebilla del arnés. Afloja los arneses tirando del arnés hacia ti todo lo que puedas (24, 25).
Suelta las cintas elásticas de los ganchos en ambos lados de la palanca de ajuste
- 26 27** • Saca la cinta elástica de la vestidura de las ranuras del asiento y quita la vestidura con cuidado por la parte delantera (26, 27).
 - Quita el protector de la hebilla del arnés tirando de él con cuidado - oblicuamente hacia un lado -. Desliza la vestidura sobre la hebilla del arnés (de atrás hacia adelante).
- 28** • Suelta la vestidura de los puntos laterales situados a ambos lados del asiento (28).
- 29** • Suelta la solapa posterior de la vestidura y échala hacia adelante (29).
- 30** • Quita con cuidado la vestidura de los laterales (30).
- 31** • Suelta la vestidura situada detrás de las pinzas del cinturón. La vestidura se encuentra ahora detrás de las pinzas del cinturón (31,1).
- 31** • Desliza con cuidado la vestidura por encima del reposacabezas (31,2).
 - Retira la vestidura.
- 32** • Quita los protectores de los protegearneses soltando de la cinta de velcro y las abrazaderas situadas en la parte exterior (32).
- 33** • Saca el arnés de la parte posterior de la solapa del velcro (33).
- 34** • Saca la presilla de gancho del lazo del protegearnés (34).
- 35** • Quita el protegearnés de la lengüeta (35).
 - Haz lo mismo con ambos protegearneses.
 - Repite la operación anterior, exceptuando la presilla, con los dos protegearneses. Los protegearneses se sujetan a los tirantes del arnés con cinta de velcro.
- 36** • Quita la vestidura del reposacabezas sacando los dos elásticos de la solapa inferior por debajo del componente de plástico (36,1).
 - Suelta un punto de la vestidura del reposacabezas por la parte inferior y a un lado; saca el tapizado cuidadosamente por ese lado del reposacabezas.
 - Suelta la vestidura del reposacabezas cuidadosamente por la ranura situada por debajo del asa de la parte delantera superior del reposacabezas.
- 36** • Quita ahora con cuidado la vestidura del reposacabezas (36,2).

Limpieza de la vestidura

- Lava a mano la vestidura y los protegearneses (máximo 30°C). No uses secadora. Consulta también las instrucciones de lavado que se indican en la vestidura.

Recomendación: Es aconsejable que en el momento de la compra de la Moxi-Cosi Tobi compres un segundo juego de vestidura para que, de esa manera, siempre puedas utilizar la Tobi aunque se esté lavando o secando la vestidura.

Montaje de la vestidura

- ¡Repite los pasos anteriores en sentido inverso!
- **¡ATENCIÓN!** Fija los 4 protegearneses y la vestidura del reposacabezas antes de colocar la vestidura.
- Mete la vestidura correctamente en todas las ranuras correspondientes del asiento.
- Comprueba que la vestidura está bien tensa y bien colocada.

E

4.3 Funcionamiento y limpieza de la hebilla del arnés y del sistema de ajuste del cinturón

Un buen funcionamiento de la hebilla del arnés y del sistema de ajuste del cinturón es de vital importancia para la seguridad de tu hijo. El mal funcionamiento de la hebilla del arnés y/o del sistema de ajuste del cinturón se suele deber a la suciedad (polvo, restos de alimentos, etc...). Asegúrate de mantener limpia la hebilla del arnés y el sistema de ajuste del cinturón utilizando, por ejemplo, un aspirador. Si el sistema de ajuste del cinturón no funciona correctamente, ponte inmediatamente en contacto con el distribuidor o importador (consulta el reverso de las instrucciones). ¡En ese caso, no utilices la Maxi-Cosi Tobi bajo ningún concepto!

A. Averías en la hebilla del arnés

- Al abrir la hebilla del arnés los elementos de cierre son expulsados con retraso.
- Cuesta mucho esfuerzo abrir la hebilla del arnés.
- El encaje de los elementos de cierre en la hebilla del arnés es poco suave (ofrece mucha resistencia).
- Los elementos de cierre no se mantienen en su sitio, siendo expulsados.
- Al encajar la hebilla del arnés no se oye ningún "clic".

B. Solución a una posible avería del cierre

- Comprueba si el cierre tiene suciedad y, de ser así, límpialo dándole unos golpecitos, aclarándolo con agua, soplando dentro o aspirando la suciedad con un aspirador.
- **¡ATENCIÓN!** ¡No uses productos engrasantes!

Si no consigues cerrar bien la hebilla del arnés o si no estás seguro de que la avería esté solucionada, pónete en contacto con el distribuidor o el fabricante (véase al dorso de las instrucciones de uso). ¡En cualquier caso, no deberás utilizar la Maxi-Cosi Tobi en esas condiciones!

5. INSTRUCCIONES GENERALES

Fíjate siempre en lo siguiente...

- Usa siempre la silla, incluso en los desplazamientos cortos, ya que es precisamente en esos trayectos cuando ocurren más accidentes.
- Usa la Maxi-Cosi Tobi en el automóvil, nunca en casa. La silla de seguridad para automóvil no ha sido diseñada para su uso en casa.
- La Maxi-Cosi Tobi se puede usar tanto en el asiento delantero como en el trasero, ¡incluso si el asiento incorpora airbag! Sin embargo, te aconsejamos que coloques la silla en el asiento trasero. Si no fuera posible, asegúrate en cualquier caso de que, si el asiento delantero incorpora airbag, está desplazado al máximo hacia atrás. Consulta asimismo el manual de instrucciones del vehículo pues en cada vez más modelos se puede desactivar fácilmente el airbag.
- La silla de seguridad siempre debe fijarse con ayuda del cinturón de seguridad del automóvil, incluso aunque el niño no esté sentado en ella. Una silla suelta puede herir a los demás pasajeros en caso de producirse un frenazo brusco.

E

- Asegúrate de que la Maxi-Cosi Tobi no esté bloqueada por equipajes pesados y que no esté sometida a presión por pesos, asientos regulables o puertas al cerrarse.
- Nunca uses la Maxi-Cosi Tobi sin vestidura. La vestidura no debe sustituirse por otro tipo diferente de recubrimiento original debido a que la vestidura es un componente importante para la seguridad de la silla.
- Tapa la Maxi-Cosi Tobi cuando el automóvil esté a pleno sol; los componentes de plástico y de metal se pueden calentar enormemente pudiendo producir quemaduras y la tapicería se puede decolorar por los rayos del sol.
- No quites los logotipos, etc., de la vestidura y así evitarás que ésta sufra daños.
- Asegúrate de que no hay equipaje u otros objetos sueltos (por ejemplo en la placa trasera desmontable) dentro del automóvil. ¡En caso de parada brusca o de colisión se podrían transformar en peligrosos proyectiles!
- Cuando hagas viajes largos, realiza paradas regularmente para que su hijo pueda estirar las piernas.
- Nunca dejes a tu hijo solo en el vehículo.
- Conserva las instrucciones de uso para cuando las necesites en el compartimiento destinado a ello, situado en la parte trasera de la Maxi-Cosi Tobi.
- **Nunca** uses productos de segunda mano, ya que no se sabe qué trato se le ha dado o si ha habido algún percance. El fabricante sólo puede garantizar la seguridad de la silla para automóvil a su primer usuario.
- El usuario no deberá hacer modificaciones ni en la silla para niños ni en los arneses. ¡Tampoco se podrán quitar de ningún modo las etiquetas ni las pegatinas de advertencia de la silla!
- Después de un accidente se debe reemplazar siempre la Maxi-Cosi Tobi, ya que podría haberse hecho insegura debido a cualquier daño sufrido, aunque no sea visible.
- El fabricante es consciente de que las sillas para automóvil pueden hacer marcas en la tapicería del automóvil o en los cinturones de seguridad del automóvil. Sin embargo, debido a las normas de seguridad prescritas y a lo fuertemente que se debe ajustar y fijar la silla, esas marcas son inevitables. El fabricante no se hace responsable de los posibles daños que se pudieren producir por esa causa.

Y, por supuesto...

- ¡Da ejemplo, poniéndote también el cinturón de seguridad!

6. SEPARACIÓN DE RESIDUOS

Para un uso óptimo y seguro de la silla de seguridad para automóvil, no se deben usar más de 5 años desde la fecha de compra. El envejecimiento lento del plástico, debido, entre otros factores al sol (UV), puede deteriorar el material con que está fabricado el producto.


Si tu hijo ya no cabe en la silla, te recomendamos que no sigas usando la silla y que la tires a la basura. Por consideraciones medioambientales le rogamos que desde el principio (embalaje) hasta el final de la vida útil de la Maxi-Cosi Tobi (componentes del producto) proceda a la separación de los residuos.



Manten los materiales plásticos de embalaje fuera del alcance de los niños para evitar el riesgo de asfixia.

Embalaje	Caja de cartón	Residuos de papel
	Bolsa de plástico	Otros tipos de residuos
Componentes del producto	Vestidura	Otros tipos de residuos
	Componentes de plástico	De acuerdo con sus características/tipificación del contenedor destinado a ellos
	Componentes metálicos	Contenedor para metal
	Arneses	Contenedor para poliéster
	Hebilla	Otros tipos de residuos

7. OTRAS SILLAS DE AUTO

Tipo de silla de automóvil	Homologada según la ECE R44/04		
	Grupo	Peso corporal	Edad
 Maxi-Cosi Rodi XR	2 + 3	de 15 a 36 kg.	Aprox. 3,5 a 12 años

E

8. GARANTÍA

Le garantizamos que este producto ha sido fabricado de acuerdo con las normas de seguridad y con los requisitos de calidad europeos actuales aplicables a este producto y que, en el momento de su adquisición por parte del comerciante minorista, no mostraba ninguna deficiencia en materia de composición o fabricación. Además, durante el proceso de fabricación, este producto ha sido sometido a diferentes controles de calidad. Si, a pesar de nuestros esfuerzos, durante el periodo de garantía de 24 meses, apareciera algún defecto de material y/o de fabricación (con un uso normal, tal como se describe en el manual de instrucciones), nos comprometemos a respetar las condiciones de la garantía. Si se diera esta circunstancia, podrás dirigirte al establecimiento vendedor del producto. Si deseas información completa sobre la aplicación de las condiciones de la garantía, te puedes dirigir a tu vendedor o visitar la página web: www.maxi-cosi.com

La garantía quedará anulada en los siguientes casos:

- Si el producto se usa de forma diferente a la estipulada en el manual de instrucciones.
- Si el producto se entrega para su reparación a través de un establecimiento vendedor no reconocido.
- Si el producto no se presenta junto con el justificante de compra (a través del distribuidor y/o importador) al fabricante.
- Si las reparaciones han sido llevadas a cabo por terceros o distribuidor no reconocido.
- Si los daños se han producido por un uso o mantenimiento indebidos o descuidados, por dejadez o por choques que hayan dañado la tela y/o el bastidor;
- Si aparece desgaste de elementos, previsible en un uso normal (ruedas, piezas giratorias y móviles... etc.).

Entrada en vigor:

El periodo de garantía comienza a partir de la fecha de compra del producto.

Período de vigencia:

Se aplicará un período de 24 meses consecutivos. La garantía sólo será válida para el primer propietario, y no es transferible.

Garantía

53

¿Qué debes hacer?

Guarda en lugar seguro el resguardo de compra del producto. La fecha de compra deberá estar visible en el resguardo de compra. Si tienes problemas o constatas defectos, debes dirigirte al establecimiento vendedor del producto. No se podrá exigir un cambio o una devolución. Las reparaciones no dan derecho a prórroga del plazo de garantía. Los productos que se devuelvan directamente al fabricante quedarán excluidos de la cobertura de la garantía.

E

Esta cláusula de la garantía se incluye en virtud de la Directiva Europea 99/44/CE del 25 de mayo de 1999.

9. PREGUNTAS

Si tienes dudas o preguntas puedes ponerte en contacto telefónico con tu tienda de puericultura o con el fabricante (véase al dorso de estas instrucciones de uso). Para ello, ten a mano los siguientes datos:

- Número de serie situado en la parte inferior de la pegatina naranja y blanca ECE (en la parte trasera de la Maxi-Cosi Tobi).
- Marca, modelo y año de fabricación del automóvil y asiento sobre el que se usa la Maxi-Cosi Tobi.
- Edad (longitud) y peso de tu hijo.

Garantía

Gentili genitori

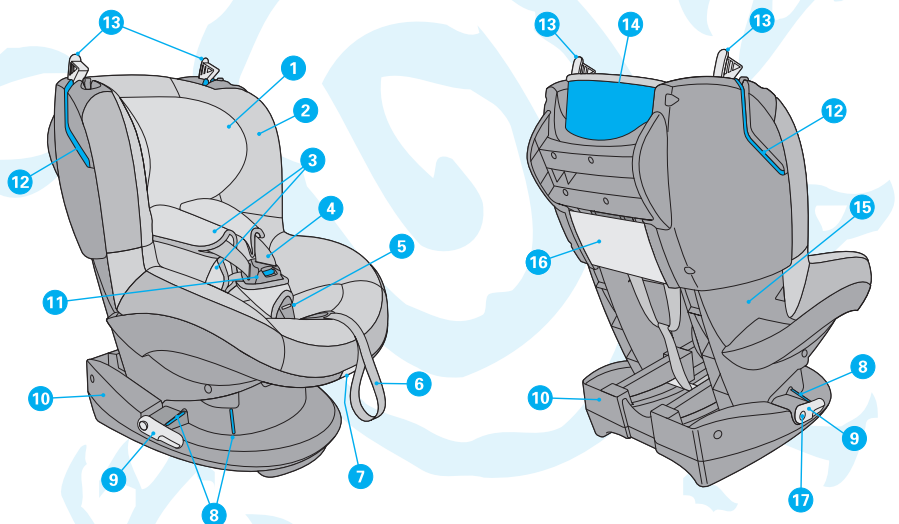
Congratulazioni per aver acquistato il seggiolino auto Maxi-Cosi Tobi.

Nella fase di progettazione di questo seggiolino, si è tenuto conto di alcuni importanti elementi, quali: sicurezza, comfort e praticità. Di conseguenza, questo prodotto soddisfa i più severi requisiti di sicurezza.

Da una ricerca è risultato che molti seggiolini auto sono utilizzati erroneamente. Vi consigliamo pertanto di leggere con attenzione queste istruzioni. La sicurezza del vostro bambino sarà tutelata al meglio soltanto in caso di utilizzo corretto.

Grazie agli studi condotti dai nostri tecnici e al parere dei nostri tester e della clientela, siamo in grado di aggiornare costantemente i nostri prodotti in base agli ultimissimi sviluppi nel campo della sicurezza per l'infanzia. Siamo inoltre sempre ben lieti di rispondere ad eventuali domande relative all'utilizzo del seggiolino auto Maxi-Cosi Tobi.

Dorel (l'indirizzo e il recapito telefonico sono riportati sul retro delle istruzioni per l'uso)



1. Poggiatesta
2. Rivestimento
3. Protezioni per cinture
4. Cinture di sicurezza
5. Indicatore di tensione delle cinture
6. Cinghia di regolazione delle cinture
7. Leva per regolare la posizione della scocca
8. Indicatori rossi per il passaggio della cintura dell'auto
9. Tensionatore(i) per la cintura dell'auto

10. Base
11. Fibbia delle cinture
12. Fessura rossa per il passaggio della cintura dell'auto
13. Blocco della cintura dell'auto
14. Area rossa indicante il passaggio della cintura di sicurezza
15. Scocca
16. Comparto per il manuale di istruzioni
17. Pulsante di sblocco del tensionatore/i delle cinture

Italiano

CARATTERISTICHE SPECIALI

Per ridurre il rischio di uso non corretto e per garantire massima praticità d'utilizzo il seggiolino Maxi-Cosi Tobi è provvisto dei seguenti componenti:

- un sistema di cinture di sicurezza che "si sgancia" da solo non appena si apre la fibbia della cintura;
- un indicatore colorato sulla fibbia che indica quando le cinture sono adeguatamente tese;
- una fibbia che funziona anche come pulsante di controllo del sistema delle cinture, ovvero: quando la fibbia viene aperta, il controllo delle cinture per le spalle viene sbloccato automaticamente e le cinture possono essere allungate. Quando la fibbia è chiusa, le cinture per le spalle possono essere tese fino a quando l'indicatore non diventa "VERDE". Non occorrono altri pulsanti di controllo!

INDICE

1.	IMPORTANTE: LEGGERE ATTENTAMENTE!	56
2.	INSTALLAZIONE E RIMOZIONE DEL MAXI-COSI TOBI	57
3.	COME ACCOMODARE IL BAMBINO NEL MAXI-COSI TOBI	58
3.1	Regolazione delle cinture di sicurezza	58
3.2	Posizioni della seduta (regolazione del seggiolino dalla posizione seduta alla posizione riposo)	59
3.3	Per togliere il bambino dal seggiolino	59
4.	MANUTENZIONE	60
4.1	Manutenzione generale	60
4.2	Rivestimento	60
4.3	Funzionamento e pulizia della fibbia e del dispositivo di regolazione delle cinture	60
5.	ISTRUZIONI GENERALI	61
6.	DIFFERENZIAZIONE DEI RIFIUTI	62
7.	MODELLI DI SEGGIOLINI PER LE DIVERSE ETA'	62
8.	GARANZIA	62
9.	RICHIESTE D'INFORMAZIONI	63

1. IMPORTANTE: LEGGERE ATTENTAMENTE!

Leggere attentamente le istruzioni per l'uso e conservarle per un'eventuale consultazione futura. La mancata osservanza delle istruzioni può compromettere gravemente la sicurezza del bambino.






Usare esclusivamente accessori e parti originali distribuite dalla casa produttrice. Non apportare alcuna modifica al prodotto. In caso di reclami o problemi, contattare il vostro fornitore o distributore di fiducia.

Omologazione secondo ECE R44/04			
	Gruppo	Peso del bambino	Età
Maxi-Cosi Tobi	1	9 – 18 kg	9 mesi circa– 3,5 anni

Italiano

2. INSTALLAZIONE E RIMOZIONE DEL SEGGIOLINO MAXI-COSI TOBI

Installazione con cintura a 3 punti (seguire gli indicatori rossi presenti sul prodotto)

-  Installare il Maxi-Cosi Tobi esclusivamente su un sedile rivolto in senso di marcia, provvisto di una cintura a 3 punti automatica, a condizione che questa sia omologata in base alla norma ECE R16 o a una norma equivalente.
-  Il corretto posizionamento della cintura è fondamentale per garantire la sicurezza del vostro bambino. La cintura dell'auto deve essere collocata seguendo gli indicatori rossi presenti sul seggiolino. Si veda a tale proposito l'etichetta posta sul lato del Maxi-Cosi Tobi. **Non posizionare mai la cintura nella direzione opposta a quella indicata!**
-  Rimuovere il poggiatesta del sedile nel caso questo rappresenti un ostacolo per l'installazione del Maxi-Cosi Tobi. Ricordate di rimontare il poggiatesta in caso di utilizzo del sedile da parte di un passeggero adulto.

A. Installazione

- **ATTENZIONE!** Bloccare i sedili posteriori reclinabili prima di installare il seggiolino Maxi-Cosi Tobi.
- **ATTENZIONE!** In corrispondenza di alcuni sedili, la posizione troppo avanzata delle cinture può ostacolare una corretta installazione del seggiolino. In tal caso provare ad installare il Maxi-Cosi Tobi su un altro sedile.
- 1** • **ATTENZIONE!** Prima di installare il seggiolino premere il pulsante di sblocco (1) per assicurarsi che i tensionatori delle cinture siano nella posizione corretta. I tensionatori delle cinture devono essere in posizione orizzontale.
- 2** • **ATTENZIONE!** Assicurarsi che entrambi i blocchi delle cinture dell'auto siano aperti (2).
- Posizionare il Maxi-Cosi Tobi sul sedile dell'auto.
- 3 4** • Fare passare la cintura dell'auto davanti al seggiolino Maxi-Cosi Tobi e **sopra** (4) i tensionatori. Assicurarsi che la parte lombare della cintura scorra lungo la base, sopra gli indicatori rossi (3,1).
- 3** • Fissare la cintura dell'autoveicolo nella fibbia (3,2).
- 5** • **ATTENZIONE!** Se la parte della cintura dell'auto a cui è agganciata la fibbia è troppo lunga, si corre il rischio che la fibbia sporga sopra la base del seggiolino Maxi-Cosi Tobi. In questo caso, il Maxi-Cosi Tobi non può essere fissato saldamente. Inoltre la fibbia potrebbe rompersi. E' quindi necessario spostare il seggiolino su un altro sedile (5).
- 6** • Inserire la parte della cintura dell'auto dal lato della fibbia attraverso la fessura rossa posta sullo schienale del seggiolino (6).
- 7** • In seguito fare passare la cintura lungo l'area rossa situata sul retro del Maxi-Cosi Tobi (7).
- 7** • Inserire la cintura nella seconda fessura rossa (7,2).
- 8** • Spingere il Maxi-Cosi Tobi con forza contro il sedile dell'auto (8,1) e, contemporaneamente, tendere bene la cintura (8,2). A questo punto, il Maxi-Cosi Tobi è saldamente fissato al sedile dell'autoveicolo. Controllare che l'installazione sia avvenuta correttamente!
- 9** • Chiudere dapprima il blocco della cintura sul lato della fibbia e in seguito quello sull'altro lato, in direzione del dispositivo di avvolgimento (9).
- 10** • Infine, tendere bene la cintura facendo ruotare di un quarto di giro il tensionatore(i) verso l'alto in posizione verticale (10). Questo passaggio permette di tendere ulteriormente la cintura!
- In molti casi si crea una piega nella parte lombare della cintura. Questa piega non rappresenta alcun pericolo per il bambino e indica che il montaggio è stato eseguito correttamente!
- **ATTENZIONE!** Assicurarsi che entrambi i blocchi delle cinture situati sulla parte superiore del seggiolino siano chiusi.
- **ATTENZIONE!** Assicurarsi che la cintura di sicurezza non sia attorcigliata.

- Una volta installata correttamente la cintura dell'auto, il seggiolino apparirà come riportato di seguito:



Punti da controllare...

Dopo l'installazione, per garantire la sicurezza ottimale del vostro bambino, controllare ancora una volta che...

- la cintura di sicurezza della macchina sia ben tesa e non attorcigliata;
- la parte lombare della cintura dell'auto scorra **sopra** gli indicatori rossi e il tensionatore/i;
- la parte diagonale della cintura dell'auto sia ben fissata e passi attraverso entrambe le fessure e lungo l'area rossa posizionata sul retro del seggiolino;
- entrambi i blocchi delle cinture siano chiusi;
- il tensionatore(i) delle cinture sia in posizione verticale;
- il Maxi-Cosi Tobi nel suo insieme sia stato installato correttamente e in modo stabile nell'auto.

B. Rimozione del Maxi-Cosi Tobi

- 11 • Sganciare la fibbia della cintura dell'auto (11).
- 12 • Aprire poi entrambi i blocchi della cintura (12).
- 13 • Per allentare il tensionatore premere il pulsante (13). Il tensionatore si sposta ora verso il basso, nella posizione orizzontale.
- 14 • Togliere la cintura dalle fessure (14).
- Rimuovere il Maxi-Cosi Tobi dall'auto.

3. COME ACCOMODARE IL BAMBINO NEL MAXI-COSI TOBI

3.1 Uso delle cinture di sicurezza

A. Regolazione delle cinture di sicurezza

Prima di accomodare il bambino nel Maxi-Cosi Tobi e chiudere le cinture di sicurezza, regolare l'altezza delle cinture e del poggiatesta.

- 15 • Aprire la fibbia delle cinture (15), premendo il relativo pulsante rosso.
- Le cinture si aprono automaticamente e possono essere allungate senza premere ulteriori pulsanti.
- 16 • Tirare le cinture in avanti il più possibile per allungarle (16).
- **ATTENZIONE!** Durante questa operazione, non tirare le protezioni delle cinture.
- 17 • Accomodare il bambino nel Maxi-Cosi Tobi con la schiena ben dritta e controllare l'altezza delle cinture (17).
- 18 • **ATTENZIONE!** Le cinture devono inserirsi nella scocca appena sopra le spalle del bambino (18).
- Regolare l'altezza delle cinture e del poggiatesta.
- 19 • Per posizionare le cinture e il poggiatesta all'altezza desiderata, spingere il poggiatesta in avanti e, contemporaneamente, spostarlo verso l'alto o verso il basso (19). Le cinture e il poggiatesta possono essere regolate in sei altezze diverse.

Italiano

B. Accomodare il bambino nel Maxi-Cosi Tobi

- Accomodare il bambino nel Maxi-Cosi Tobi con la schiena ben dritta.
- 20** • Appoggiare le estremità delle cinture l'una sull'altra (parte A su parte B) ed inserirle nella fibbia, fino ad udire distintamente un "clic" (20). Chiudendo la fibbia, il sistema si blocca e le cinture possono solo essere ulteriormente tese. Per allungare le cinture, è necessario aprire di nuovo la fibbia.
- 21 22** • Tirare la cinghia di regolazione per tendere le cinture di sicurezza (21,1). Tendere le cinture fino a quando l'indicatore sulla fibbia non diventa verde (21,2). Se l'indicatore è grigio, la cintura deve essere tesa ulteriormente (22). **Prima della partenza**, assicurarsi che l'indicatore sia verde. Nel caso in cui si abbia la sensazione che le cinture siano ancora lente, sebbene l'indicatore sia verde, è possibile tenderle ulteriormente. Quest'accorgimento consente di ottenere condizioni di sicurezza ottimali. Durante il viaggio può verificarsi che, a causa dei movimenti del bambino, l'indicatore torni sul grigio. Questo è normale e non comporta conseguenze per la sicurezza del bambino.
- **ATTENZIONE!** Se le cinture aderiscono bene al corpo del bambino, il piccolo sarà più protetto.
- **ATTENZIONE!** Assicurarsi che le protezioni delle cinture si trovino rivolte con il lato sagomato (antiscivolo) appoggiato sulle spalle/sul petto del bambino.
- **ATTENZIONE!** Assicurarsi che le cinture non siano attorcigliate o piegate.



Usate sempre le imbottiture delle cinture: sono importanti per la sicurezza del bambino.



Spiegate al bambino di non giocare con la fibbia della cintura.

3.2 Posizioni della seduta (regolazione del seggiolino dalla posizione seduta alla posizione riposo)

Il seggiolino Maxi-Cosi Tobi può essere regolato in 5 posizioni:

- 23** • Tirare verso l'alto la leva che regola la posizione della seduta situata sotto il lato anteriore del seggiolino e, contemporaneamente, tirare o spingere il seggiolino in avanti o indietro (23).
- Rilasciare la leva nella posizione desiderata e spingere fino ad udire un chiaro "clic".
- **ATTENZIONE!** Controllare che il Maxi-Cosi Tobi sia ben fissato nella posizione desiderata, tirando il seggiolino.

Punti da controllare...

Prima d'ogni viaggio, per garantire la sicurezza ottimale del vostro bambino, controllare ancora una volta che...

- il Maxi-Cosi Tobi nel suo insieme sia installato correttamente e in modo stabile nell'auto;
- l'altezza delle cinture per le spalle sia ben regolata;
- le cinture non siano attorcigliate;
- le protezioni delle cinture siano rivolte con il lato sagomato (antiscivolo) appoggiato sulle spalle/sul petto del bambino;
- le cinture siano ben aderenti al bambino, la fibbia sia chiusa e l'indicatore sia sul verde;
- le cinture del Maxi-Cosi Tobi non siano danneggiate; in caso contrario, non utilizzate per alcun motivo il Maxi-Cosi Tobi e mettetevi in contatto con il vostro fornitore o il vostro distributore.

3.3 Per togliere il bambino dal seggiolino

- Posizionare il Maxi-Cosi Tobi nella posizione seduta (cfr. anche paragrafo 3.2: Posizioni della seduta).
- 24** • Aprire la fibbia delle cinture premendo il relativo pulsante rosso (24).
- 25** • Tirare le cinture in avanti il più possibile per allentarle (25).
- Togliere il bambino dal Maxi-Cosi Tobi.

4. MANUTENZIONE

4.1 Manutenzione generale

- **ATTENZIONE!** Eseguire queste operazioni soltanto quando il Maxi-Cosi Tobi si trova all'esterno dell'autoveicolo.
- Pulire le parti in plastica del seggiolino con un panno e acqua tiepida saponata. Non utilizzare detergenti aggressivi.
- Pulire le parti in tessuto seguendo le istruzioni presenti sull'etichetta; lavare a mano con acqua tiepida e sapone per capi delicati.
- **ATTENZIONE!** Non applicare **mai** lubrificanti, neppure alle parti mobili del Maxi-Cosi Tobi.

4.2 Rivestimento

Rimozione del rivestimento

- 24 25 • Aprire la fibbia delle cinture. Tirare le cinture in avanti il più possibile per allentarle (24, 25). Quando si aprono le cinture, assicurarsi che la fibbia sia completamente piegata in avanti. Staccare le asole elastiche dai ganci su entrambi i lati della maniglia di inclinazione del seggiolino.
- 26 27 • Togliere il bordo elastico del rivestimento dalle scanalature della scocca; in seguito staccare con cautela il rivestimento dalla parte anteriore (26, 27).
- Per togliere la protezione della fibbia delle cinture, sfilarla con cautela – in diagonale – dalla fibbia stessa. Fare passare il rivestimento sopra la fibbia delle cinture (da dietro in avanti).
- 28 • Staccare il rivestimento su entrambi i lati della scocca (28).
- 29 • Staccare la parte posteriore del rivestimento e piegarla in avanti (29).
- 30 • Rimuovere con cautela il rivestimento dai lati (30).
- 31 • Staccare il rivestimento dietro i blocchi delle cinture dell'auto (31,1).
- 31 • Con cautela tirare il rivestimento sopra il poggiatesta (31,2).
- Rimuovere ora il rivestimento.
- 32 • Per togliere le protezioni delle cinture per le spalle, staccare il velcro e i bottoni automatici (32).
- 33 • Togliere la cintura dall'aletta (33).
- 34 • Estrarre il gancio dall'asola della protezione (34).
- 35 • Togliere la protezione dalla molla (35).
- Ripetere l'operazione per l'altra protezione.
- Ripetere l'operazione sopra descritta, ad eccezione della parte relativa al gancio, per entrambe le protezioni della cintura lombare. Le protezioni della cintura lombare sono fissate alla cintura mediante velcro.
- 36 • Per togliere il rivestimento del poggiatesta rimuovere i due elastici della falda inferiore (36,1).
- Staccare il rivestimento del poggiatesta su un lato e rimuovere con cautela tale lato.
- Staccare con cautela il rivestimento dalla parte superiore del poggiatesta.
- 36 • Rimuovere il rivestimento con cautela (36,2).

Pulizia del rivestimento, delle protezioni della cintura

- Lavare a mano il rivestimento e le protezioni delle cinture (temperatura massima: 30°C). Non asciugare in asciugatrice. Attenersi alle istruzioni per il lavaggio riportate sul rivestimento.

Consiglio: al momento dell'acquisto del Maxi-Cosi Tobi, si consiglia di acquistare anche un rivestimento supplementare, in modo da poter utilizzare il seggiolino anche durante il lavaggio del rivestimento originale.

Riposizionamento del rivestimento

- Ripetere le operazioni sopra descritte in ordine inverso!
- **ATTENZIONE!** Fissare dapprima le 4 protezioni delle cinture e il rivestimento del poggiatesta e poi ricoprire la scocca.
- Inserire il rivestimento nelle scanalature della scocca.
- Controllare che il rivestimento sia ben teso e ben fissato ovunque.

4.3 Funzionamento e pulizia della fibbia e del dispositivo di regolazione delle cinture

Il corretto funzionamento della fibbia e del dispositivo di regolazione delle cinture è estremamente importante per la sicurezza del bambino. Il mancato funzionamento della fibbia e/o del dispositivo di regolazione delle cinture dipende solitamente dalla sporcizia (polvere, sporco, residui di latte ecc.). Aver cura di tenere puliti la

fibbia e il dispositivo di regolazione, togliendo la sporcizia, per es. con un aspirapolvere.
In caso di funzionamento non corretto del dispositivo di regolazione della cintura, contattare il fornitore o l'importatore (cfr retro delle istruzioni per l'uso). Non usare in alcun caso il Maxi-Cosi Tobi!

Nell'elenco sottostante sono riportati alcuni guasti che si possono verificare, con i relativi suggerimenti per la riparazione.

A. Guasti alla fibbia della cintura

- La fibbia non si apre immediatamente quando si preme il pulsante di apertura.
- Per aprire la fibbia della cintura occorre molta forza.
- La chiusura della fibbia è difficoltosa (si incontra molta resistenza).
- La fibbia non si chiude, le parti della fibbia non combaciano.
- Quando si chiude la fibbia non si ode un chiaro "clic".

B. Soluzione di un eventuale guasto della fibbia

- Controllare che la fibbia non sia sporca e, se necessario, pulirla scuotendola, sciacquandola con acqua, soffiando via lo sporco o aspirandolo, per es., con un aspirapolvere.
- **ATTENZIONE!** Non utilizzare **mai** lubrificanti!

Qualora non riusciate a chiudere bene la fibbia o non siate sicuri di aver risolto il guasto, contattate direttamente il fornitore o il distributore (cfr retro delle istruzioni per l'uso). Non usate il Maxi-Cosi Tobi in alcun caso!

5. ISTRUZIONI GENERALI

Fate sempre attenzione a quanto segue...

- Utilizzare sempre il seggiolino, anche per tragitti brevi, perché proprio durante questi tragitti si verifica la maggior parte degli incidenti.
- Utilizzare il Maxi-Cosi Tobi solo nell'automobile e non in casa. Il seggiolino auto non è stato progettato per l'utilizzo domestico.
- E' possibile installare il Maxi-Cosi Tobi sia su un sedile anteriore che su un sedile posteriore anche in presenza di un airbag! Si consiglia, tuttavia, di montarlo sul sedile posteriore. Qualora ciò non sia possibile, assicurarsi che, in caso, di installazione sul sedile anteriore dotato di airbag, il sedile trovi nella posizione più arretrata. Consultare anche le istruzioni per l'uso dell'autoveicolo; in un numero crescente di automobili, è possibile disattivare agevolmente l'airbag.
- Il seggiolino deve essere fissato sempre con la cintura di sicurezza dell'automobile, anche se non viene usato. Un seggiolino non fissato può colpire gli altri passeggeri in caso di frenate di emergenza.
- Assicurarsi che il Maxi-Cosi Tobi non venga danneggiato o schiacciato da carichi pesanti, seggiolini regolabili e porte che si chiudono.
- Non utilizzare mai il Maxi-Cosi Tobi senza rivestimento. Non sostituire il rivestimento con un rivestimento non originale. La sicurezza del seggiolino dipende anche dal rivestimento.
- Coprire sempre il Maxi-Cosi Tobi quando si parcheggia l'auto al sole. I componenti in plastica e metallo possono surriscaldarsi e provocare ustioni; inoltre, il rivestimento può scolorire.
- Non togliere i loghi ecc... dal rivestimento, per evitare di danneggiarlo.
- Assicurarsi che bagagli ed altri oggetti (posti, per es., sul ripiano sopra il portabagagli), che potrebbero arrecare ferite durante una collisione, siano ben fissati.
- Durante i viaggi più lunghi, si consiglia di fare delle pause frequenti, per dare al bambino l'opportunità di muoversi.
- Non lasciare **mai** il bambino da solo in macchina.
- Conservare le istruzioni per l'uso nell'apposito scomparto sul retro del Maxi-Cosi Tobi, per una successiva consultazione.
- Non utilizzare mai articoli di seconda mano: non è mai possibile conoscere con certezza la loro storia. La sicurezza del seggiolino può essere garantita dalla casa produttrice solo al primo proprietario.

- L'utente non deve apportare modifiche al seggiolino auto, né alle cinture. Anche le etichette o gli avvertimenti ecc.. che fanno parte del seggiolino non devono essere assolutamente rimossi!
- Dopo un incidente sostituire sempre il Maxi-Cosi Tobi; la sicurezza del seggiolino potrebbe essere stata compromessa da danni non direttamente visibili.
- La casa produttrice è a conoscenza del fatto che il montaggio dei seggiolini può lasciare traccia sulla tappezzeria dell'autoveicolo o sulle cinture di sicurezza. Le norme di sicurezza vigenti e la forza che occorre esercitare durante l'installazione non consentono di evitarlo. La casa produttrice si esime da qualsiasi responsabilità in relazione ad eventuali danni di questo genere.

E naturalmente...

- Date voi stessi il buon esempio ed indossate sempre la cintura di sicurezza!

6. DIFFERENZIAZIONE DEI RIFIUTI


Per un uso ottimale e sicuro dei seggiolini auto, gli stessi non devono essere utilizzati per più di cinque anni dopo la data di acquisto. L'invecchiamento del materiale plastico, causato per esempio dall'esposizione alla luce del sole, potrebbe alterare le caratteristiche del prodotto. Pertanto, quando il bambino avrà superato il limite di peso previsto per l'utilizzo del seggiolino, consigliamo di interrompere l'uso del seggiolino stesso e di disporne in modo adeguato. Per motivi di salvaguardia ambientale, si raccomanda di smaltire adeguatamente i rifiuti prodotti all'inizio (imballo) e alla fine (componenti) del ciclo di vita del seggiolino.



Tenere gli imballi in plastica lontano dalla portata dei bambini, per evitare pericoli di soffocamento.

Imballaggio	Scatola di cartone	Rifiuti di carta
	Sacchetto di plastica	Rifiuti generici
Parti del prodotto	Rivestimento	Rifiuti generici
	Parti in plastica	In base alla descrizione/ classificazione dell'apposito container
	Parti metalliche	Container per il metallo
	Fascia della cintura	Container per il poliestere
	Fibbia della cintura	Rifiuti generici

7. MODELLI DI SEGGIOLINI AUTO PER LE DIVERSE ETA'

Tipo di seggiolino	Omologazione in base alla ECE R44/04		
	Gruppo	Peso	Età
 Maxi-Cosi Rodi XR	2 + 3	da 15 a 36 kg	circa 3,5 fino a 12 anni

Italiano

8. GARANZIA

Vi garantiamo che questo prodotto è stato fabbricato in conformità ai requisiti di sicurezza e qualità previsti dalle attuali norme europee applicabili a questo articolo e che, al momento dell'acquisto, non presenta alcun tipo di difetto dal punto di vista dei materiali e della fabbricazione. Durante il processo di fabbricazione il prodotto è stato sottoposto a diversi controlli di qualità.

Qualora, nonostante i nostri sforzi, questo prodotto dovesse presentare un difetto di materiale/fabbricazione durante il periodo di garanzia di 24 mesi (a condizione di un uso regolare del prodotto, come descritto nelle istruzioni per l'uso), ci impegniamo a rispettare i termini e le condizioni di garanzia. In questo caso siete pregati di rivolgerVi al rivenditore dove avete acquistato il prodotto.

Per ulteriori informazioni relative alle condizioni di garanzia, potete rivolgerVi al rivenditore o consultare il nostro sito: www.maxi-cosi.com.

La garanzia non è valida nel caso in cui:

- il prodotto venga usato per scopi differenti rispetto a quelli descritti nel manuale d'uso.
- il prodotto venga affidato per la riparazione ad un rivenditore non riconosciuto.
- il prodotto venga consegnato alla casa produttrice non corredato dello scontrino d'acquisto originale (attraverso il negoziante e/o il distributore).
- siano state eseguite riparazioni da terzi o da un rivenditore non autorizzato da Dorel Netherlands.
- il difetto sia dovuto ad un uso errato o poco accurato del prodotto, a negligenza o a danni provocati da urti contro il tessuto e/o il telaio.
- si tratti di una normale usura delle parti dovuta all'utilizzo quotidiano del prodotto (ruote, parti rotanti o in movimento, ecc.).

Decorrenza:

La garanzia entra in vigore dalla data di acquisto del prodotto.

Periodo di durata:

La garanzia è valida per un periodo di 24 mesi consecutivi. La garanzia vale solo per il primo proprietario non è trasferibile.

Cosa fare in caso di difetti:

Dopo l'acquisto del prodotto conservate lo scontrino d'acquisto. La data d'acquisto deve essere chiaramente leggibile sullo scontrino. In caso di problemi o difetti, rivolgeteVi al rivenditore. Non è possibile richiedere la sostituzione o la restituzione del prodotto. Le riparazioni non comportano alcun diritto di prolungamento della validità della garanzia. La garanzia non sarà applicabile ai prodotti spediti direttamente alla casa produttrice.

Questa garanzia è conforme alla Direttiva Europea 99/44/EG datata 25 maggio 1999.

9. RICHIESTE D'INFORMAZIONI

Per eventuali richieste di informazioni, vi invitiamo a rivolgervi telefonicamente al vostro fornitore o distributore (cfr retro delle istruzioni per l'uso). Tenete a disposizione i seguenti dati:

- Numero di serie riportato sull'adesivo arancione-bianco (sul retro del Maxi-Cosi Tobi).
- Marca, modello e anno di costruzione dell'autoveicolo e del sedile su cui è installato il Maxi-Cosi Tobi.
- Età, altezza e peso del bambino.



Garanzia

Caros pais

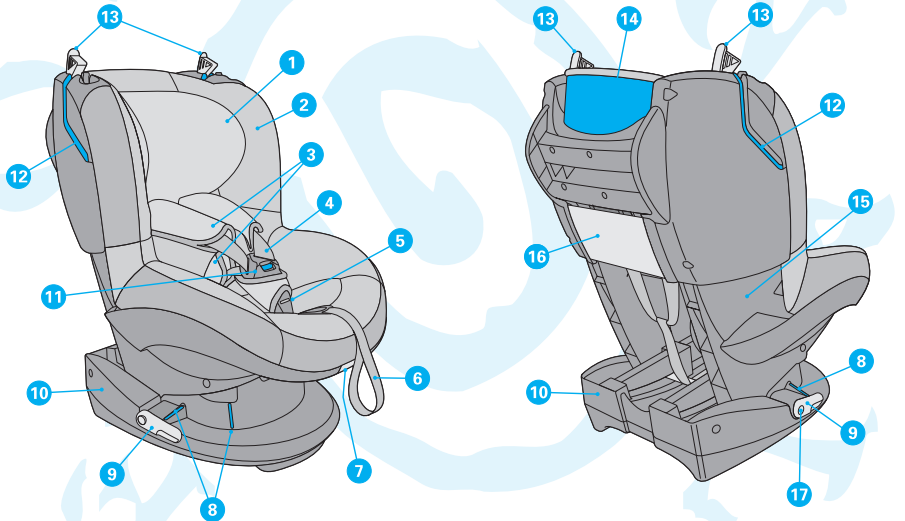
Felicitamo-vos pela aquisição da cadeira auto Maxi-Cosi Tobi.

No desenvolvimento da Maxi-Cosi Tobi, a nossa principal preocupação foi a segurança, o conforto e a facilidade de utilização. Por isso, este produto está em conformidade com as mais rigorosas normas de segurança.

Investigações demonstraram que muitas cadeiras auto para crianças são utilizadas de maneira incorrecta. Por essa razão, leia as instruções atentamente. Apenas com a utilização correcta do artigo conseguirá garantir a segurança do seu filho.

Graças à investigação feita pelos nossos departamentos de desenvolvimento e de marketing, à colaboração e a colaboração contínua com os responsáveis pelos ensaios e sugestões de clientes e consumidores, continuamos a ser os primeiros em matéria de segurança no que diz respeito ao transporte de crianças no automóvel. Qualquer pergunta ou sugestão que deseje fazer em relação ao uso da Maxi-Cosi Tobi será sempre bem-vinda.

Dorel (ver endereço e números de telefone na contra-capa do manual de instruções)



- | | |
|--|--|
| 1. Apoio de cabeça | 10. Base |
| 2. Forra | 11. Fecho do cinto |
| 3. Protecções do arnês | 12. Ranhuras vermelhas para o cinto dos ombros do automóvel |
| 4. Arnês - sistema do cinto de segurança | 13. Gancho para o cinto do automóvel |
| 5. Indicador de tensão do arnês | 14. Marcação vermelha de passagem do cinto dos ombros do automóvel |
| 6. Correia de ajuste do arnês | 15. Assento |
| 7. Manipulo de inclinação do assento | 16. Compartimento para as instruções do modo de emprego |
| 8. Marcação vermelha de passagem dos cintos inferiores do cinto do automóvel | 17. Botão de desengate do(s) tensor(es) do cinto do automóvel |
| 9. Tensor(es) para o cinto do automóvel | |

Português

CARACTERÍSTICAS ESPECIAIS

De forma a reduzir a possibilidade de uma utilização incorrecta e aumentar a facilidade de utilização, a Maxi-Cosi Tobi é equipada com as seguintes características:

- Um sistema de arnês automático.
- Um indicador de cores no fecho do cinto que indica se os cintos estão suficientemente ajustados.
- Um fecho do cinto que também funciona como botão de desengate para o sistema do cinto de segurança, isto é, quando se abre o fecho, o desengate dos cintos dos ombros são automaticamente soltos e os cintos podem ser ajustados mais longos. Quando se fecha o fecho, os cintos dos ombros podem então ser ajustados até que o indicador se torne “VERDE”. Sem mais necessidade dos botões de desengate!

INDÍCE

1.	IMPORTANTE: LEIA PRIMEIRO!	65
2.	INSTALAR E RETIRAR A MAXI-COSI TOBI	66
3.	COLOCAR A CRIANÇA NA MAXI-COSI TOBI	67
3.1	Utilizar o sistema de cinto de segurança	67
3.2	Posições de uso (Ajustar a cadeira nas posições sentada e deitada)	68
3.3	Como retirar a criança	68
4.	MANUTENÇÃO	69
4.1	Generalidades	69
4.2	Forra	69
4.3	Funcionamento e limpeza do fecho do cinto	70
5.	INSTRUÇÕES GERAIS	70
6.	SEPARAÇÃO DE LIXO	71
7.	CADEIRAS SUCESSORAS	72
8.	GARANTIA	72
9.	ESCLARECIMENTOS ADICIONAIS	73

1. IMPORTANTE: LEIA PRIMEIRO!

Leia atentamente este manual de instruções e guarde-o para consulta futura. O não cumprimento das instruções contidas no manual pode colocar em risco a segurança da criança.






Utilize apenas acessórios e componentes originais aprovados pelo fabricante. Não faça modificações ao produto. Em caso de dúvidas, entre em contacto com o seu fornecedor ou importador.

Aprovação segundo ECE R44/04			
	Grupo	Peso da criança	Idade
Maxi-Cosi Tobi	1	9 – 18 kg	Aprox. 9 meses a 3,5 anos

2. INSTALAR E RETIRAR A MAXI-COSI TOBI

Instalação com cinto de segurança de 3 pontos de fixação (siga a marcação em vermelho no produto)

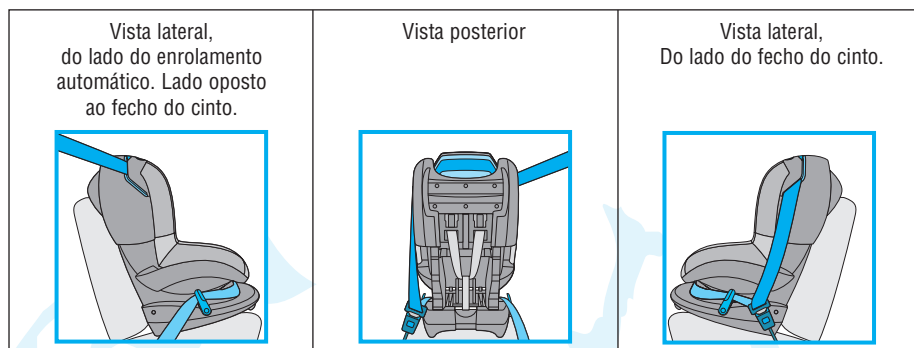
-  A cadeira auto Maxi-Cosi Tobi pode apenas ser utilizada no sentido da marcha, num assento que esteja equipado com um cinto de segurança automático de 3 pontos de fixação, e que seja aprovado pela norma ECE R16 ou equivalente.
-  A colocação correcta do cinto de segurança é da máxima importância para a segurança da criança. O cinto do automóvel tem de ser colocado na ordem correcta ao longo da marcação a vermelho na Maxi-Cosi Tobi; consulte também o autocolante existente na parte lateral da Maxi-Cosi Tobi. **Nunca prenda o cinto passando-o de um modo diferente ao indicado!**
-  Retire, caso atrapalhe, o apoio de cabeça do banco do automóvel em que a Maxi-Cosi Tobi for instalada. Lembre-se de colocar novamente o apoio de cabeça do automóvel assim que desinstalar a Maxi-Cosi Tobi.

P

A. Instalação

- **ATENÇÃO!** Trave os bancos reclináveis antes de instalar a Maxi-Cosi Tobi.
- **ATENÇÃO!** Em alguns tipos de bancos de automóvel, os cintos de segurança encontram-se instalados muito à frente, tornando-se impossível uma instalação correcta. Neste caso tente instalar a cadeira auto no outro banco do automóvel.
- 1** • **ATENÇÃO!** Assegure-se de que, antes de instalar a cadeira auto, os tensores do cinto encontram-se na posição correcta premindo o botão de desengate (1). Os tensores do cinto tem de estar na posição horizontal.
- 2** • **ATENÇÃO!** Assegure-se de que ambos os ganchos do cinto do automóvel estão abertos (2).
- Coloque a Maxi-Cosi Tobi no banco do automóvel.
- 3 4** • Passe o cinto do automóvel pela frente da Maxi-Cosi Tobi e **sobre** os tensores do cinto (4). Assegure-se de que os cintos inferiores passe por baixo do assento, sobre as marcações em vermelho do cinto do automóvel (3,1).
- 3** • Prenda o cinto de segurança do automóvel no fecho do cinto (3,2).
- 5** • **ATENÇÃO!** Pode ocorrer que a fita do cinto do automóvel seja muito longa, de forma que esta fique muito elevada em relação à base da Maxi-Cosi Tobi. Neste caso, não poderá prender a cadeira auto Tobi de forma adequada. Escolha, neste caso, o outro banco do automóvel (5). Além disso, tal pode danificar o fecho!
- 6** • Insira a parte superior do cinto do automóvel nas ranhuras marcadas a vermelho, no encosto da cadeira (6).
- 7** • Passe a seguir a parte superior do cinto do automóvel pela marcação em vermelho, na parte traseira da Maxi-Cosi Tobi (7,1).
- 7** • Insira-o de volta para fora, através da segunda ranhura em vermelho (7,2).
- 8** • Empurre a Maxi-Cosi Tobi firmemente contra o banco do automóvel (8.1) e puxe simultaneamente o cinto dos ombros bem firme (8.2).
- 9** • Prenda em primeiro lugar o gancho do cinto no fecho de um lado e, posteriormente, o gancho no outro lado, na direcção do enrolamento automático do cinto (9).
- 10** • Finalmente, estique firmemente o cinto, rodando o(s) tensor(es) do cinto um quarto, de volta para cima, em posição vertical (10). O cinto do automóvel está agora bem esticado e firme!
- Em geral isto provoca o aparecimento duma dobra nos cintos inferiores. Contudo, isto não implica qualquer perigo para a sua criança e faz parte de uma instalação correcta!

- Quando o cinto do automóvel está correctamente instalado, são estas as “diferentes vistas” do mesmo:



Lista de verificação...

Depois de ter instalada a Maxi-Cosi Tobi, verifique novamente, para uma maior segurança do seu bebé, se...

- o cinto do carro está bem preso e não está torcido.
- o cinto inferior do cinto do automóvel passa sobre as marcações em vermelho e o(s) tensor(es) do cinto;
- a fita (diagonal) dos ombros do cinto do automóvel está bem presa e que esta passa em ambas as ranhuras do cinto, ao longo da marcação em vermelho na parte traseira da Maxi-Cosi Tobi;
- ambos os ganhos do cinto estão fechados;
- o(s) tensor(es) do cinto está(ão) esticados e na posição vertical;
- a Maxi-Cosi Tobi está instalada correctamente e estável no carro.

B. Retirar a Maxi-Cosi Tobi

- 11 • Abra o fecho do cinto do automóvel (11).
- 12 • Abra em seguida ambos os ganchos do cinto (12).
- 13 • Pressione em seguida ambos os tensores (13). O tensor salta para baixo, na posição horizontal.
- 14 • Retire o cinto do automóvel das ranhuras do cinto (14).
- Retire a Maxi-Cosi Tobi do carro.

3. COLOCAR A CRIANÇA NA MAXI-COSI TOBI

3.1 Utilizar o sistema de cinto de segurança

A. Ajustar a altura do cinto de segurança

Antes de colocar a criança na Maxi-Cosi Tobi e fechar o cinto de segurança, ajuste primeiro a altura adequada para os cintos dos ombros e do apoio de cabeça.

- 15 • Abra o fecho do cinto (15) premindo o botão vermelho do fecho.
- O cinto dos ombros é libertado automaticamente e pode ser ajustado em comprimento sem precisar de premir os botões.
- 16 • Solte ligeiramente o cinto de segurança, puxando-o o máximo possível para a frente (16).
- **ATENÇÃO!** Nunca puxe o arnês pelas proteções do mesmo.
- 17 • Coloque a criança na Maxi-Cosi Tobi com as costas bem assente no encosto e verifique se a altura do cinto é adequada (17).
- 18 • **ATENÇÃO!** A altura do cinto de segurança estará correcta quando o cinto desaparece no encosto da cadeira, logo acima dos ombros (18).

- O cinto do automóvel pode ser ajustado em altura em combinação e por meio do apoio para a cabeça.
- 19 • Ajuste o cinto do automóvel e o apoio para cabeça na altura desejada, movimentando o manípulo existente na parte superior, simultaneamente, para a frente e para cima ou para baixo (19). O cinto do automóvel e o apoio de cabeça podem ser ajustados em altura em 6 diferentes níveis.

B. Colocar a criança na Maxi-Cosi Tobi

- Coloque a criança com as costas rectas e bem assentes na Maxi-Cosi Tobi.
- 20 • Junte as placas (placa A sobre a placa B) e insira-as no fecho do cinto até ouvir um “clique” (20). Com o fecho do arnês, o sistema do cinto de segurança é bloqueado e pode apenas ser esticado, se necessário.
- 21 22 • Estique firmemente o sistema do cinto de segurança do arnês, puxando-o pela correia de ajuste (21,1). Puxe-o até que o indicador do fecho do sistema esteja verde (21,2). Se o indicador permanecer vermelho, o cinto deverá ser puxado mais firmemente (22). Assegure-se de que o indicador está verde **antes de conduzir**. Se achar que o cinto de segurança apresenta ainda alguma folga, enquanto o indicador está verde, poderá puxar o cinto mais firmemente, para assegurar uma óptima segurança.
- Durante uma viagem, com o movimento da criança, o indicador pode saltar para a cor prata. Isso é normal e não tem qualquer efeito em termos de segurança.
- **ATENÇÃO!** Quanto mais firme ajustar o arnês, mais segura irá ficar a criança.
- **ATENÇÃO!** Assegure-se de que os anti-derrapantes dos protectores peitorais (do arnês) assentam-se exactamente sobre os ombros/peitos da criança.
- **ATENÇÃO!** Assegure-se de que os cintos do carro não estão torcidos.



Utilize sempre os protectores peitorais; estes são importantes para a segurança da criança.



Diga claramente à criança para nunca brincar com o fecho do cinto.

3.2 Posições de uso (Ajustar a cadeira em posição sentada e deitada)

A Maxi-Cosi Tobi é ajustável em 5 posições.

- 23 • Puxe para cima o manípulo de ajuste, situado na parte frontal da cadeira e desloque a cadeira para a frente ou para trás (23).
- Coloque o manípulo de ajuste na posição desejada e empurre a cadeira até ouvir um clique.
- **ATENÇÃO!** Puxe pela Maxi-Cosi Tobi para testar se esta está bem presa na posição ajustada.

Lista de verificação...

Antes de cada viagem, para certificar-se da sua correcta instalação e para a máxima segurança da criança, verifique novamente se...

- a Maxi-Cosi Tobi está estável e correctamente instalada no automóvel;
- a altura dos cintos dos ombros está correcta;
- os cintos não estão torcidos;
- os protectores peitorais com anti-derrapantes assentam exactamente sobre os ombros/peitos da criança;
- a criança está bem presa pelos cintos, o fecho está travado e o indicador está na cor verde;
- a fita do cinto da Maxi-Cosi Tobi não está danificada. Se for este o caso, não utilize a Maxi-Cosi Tobi de forma alguma e entre em contacto com o seu fornecedor ou importador.

3.3 Como retirar a criança

- Coloque a Maxi-Cosi Tobi na posição sentada (ver também o ponto 3.2: Posições de uso).
- 24 • Abra o fecho do arnês premindo o botão vermelho (24).
- 25 • Solte ligeiramente os cintos dos ombros, puxando-os o máximo possível para a frente (25).
- Retire a criança da Maxi-Cosi Tobi.

P

4. MANUTENÇÃO

4.1 Generalidades

- **ATENÇÃO!** Para ser feito apenas com a Maxi-Cosi Tobi fora do carro.
- Limpe as peças de plástico da cadeira com um pano e água morna e sabão. Não utilize produtos de limpeza agressivos.
- As partes de têxtil podem ser limpas segundo as instruções contidas na etiqueta de lavagem; lavar à mão com água morna e um detergente suave.
- **ATENÇÃO! Nunca** utilize lubrificantes, nem mesmo nas partes móveis da Maxi-Cosi Tobi.

4.2 Forra

Para retirar a forra

- 24 25 • Abra o fecho do arnês. Solte ligeiramente os cintos dos ombros, puxando-os o máximo possível para a frente (24, 25). Solte os laços elásticos dos ganchos em ambos os lados do manípulo de ajuste.
- 26 27 • Retire os bordos elásticos da estrutura do assento, e puxe a forra cuidadosamente soltando-a da parte frontal (26, 27).
- Retire os protectores peitorais puxando-o cuidadosamente – na diagonal – sobre o fecho do arnês. Passe a forra sobre o fecho do arnês (de trás para a frente).
- 28 • Solte a forra dos pontos laterais de fixação em ambos os lados do assento (28).
- 29 • Solte as abas do encosto da forra e incline-as para a frente (29).
- 30 • Retire a forra cuidadosamente das laterais (30).
- 31 • Solte a forra na parte de trás do gancho do cinto. A forra passa por atrás (31,1).
- 31 • Puxe agora a forra cuidadosamente sobre o apoio para a cabeça (31,2).
- Retire a forra.
- 32 • Retire os protectores peitorais do arnês, soltando os velcros e as molas de pressão no lado externo (32).
- 33 • Descole o velcro por trás da aba (33).
- 34 • Retire o grampo dos protectores peitorais (arnês) (34).
- 35 • Retire os protectores peitorais da mola (35).
- Repita o procedimento acima, com excepção da fivela, com os dois protectores peitorais. Os protectores peitorais são fixados ao arnês por intermédio do velcro.
- 36 • Retire a forra do apoio de cabeça, soltando as fitas elásticas da aba inferior situada em baixo da parte plástica (36,1).
- Solte a capa do apoio para a cabeça através de um ponto num dos lados, na parte inferior, e retire a forra deste lado do apoio de cabeça.
- Solte cuidadosamente a forra do apoio de cabeça da estrutura do assento, na parte superior do apoio para a cabeça, por baixo da pega.
- 36 • Retire agora com cuidado a forra do apoio de cabeça (36,2).

Limpeza da forra

- Lave a forra e os protectores peitorais à mão (temperatura máxima de 30°C). Não utilize máquina de secar. Consulte também as instruções de lavagem na capa.

Sugestão: É aconselhável comprar logo, juntamente com a cadeira Maxi-Cosi Tobi, uma forra de reserva, para que possa utilizar sempre a Maxi-Cosi Tobi.

Para recolocar a forra

- Repita os passos acima na ordem inversa!
- **ATENÇÃO!** Antes de recolocar a forra, instale primeiramente os quatro protectores do cinto e a forra do apoio de cabeça.
- Insira a forra na estrutura do assento (respectivas calhas).
- Verifique se a capa está bem esticada e presa em todos os sítios.

4.3 Funcionamento e limpeza do fecho do cinto

Um bom funcionamento do fecho do cinto é extremamente importante para a segurança da criança. O seu funcionamento incorrecto é, em geral, causado por sujidades (poeira, detritos, restos de comida, etc.). Na lista abaixo indicada estão descritas as possíveis avarias e dadas as sugestões adequadas de manutenção.

A. Avarias

- As placas do fecho, ao serem abertas, demoram para se soltarem do fecho do cinto.
- O fecho do cinto abre-se apenas com o emprego de muita força.
- Dificuldade para prender as placas do fecho no cinto do automóvel (há muita resistência).
- Não se consegue mais fechar o fecho, as placas são lançadas para fora quando inseridas.
- Não se ouve um "clique" nítido quando se fecha o cinto do automóvel.

B. Solução de eventuais avarias do fecho

- Verifique o fecho acerca de sujidades e limpe-o, se necessário, sacudindo-o, enxaguando, soprando ou com um aspirador, por exemplo.
- **ATENÇÃO! Nunca** utilize lubrificantes!

Se não conseguir fechar correctamente o fecho do arnês, ou se não está seguro de que a avaria foi reparada, entre imediatamente em contacto com o fornecedor ou importador (ver a contracapa do manual de instruções). Se for este o caso, não utilize a cadeira auto Maxi-Cosi Tobi de forma alguma!

5. INSTRUÇÕES GERAIS

Tenha sempre atenção aos seguintes pontos...

- Utilize sempre a cadeira, mesmo nas viagens mais curtas, porque é nestas alturas que ocorrem grande parte dos acidentes.
- Utilize a Maxi-Cosi Tobi unicamente no carro, e nunca em casa. A cadeira auto não é destinada para uso em casa.
- A Maxi-Cosi Tobi deve ser utilizada no banco traseiro do automóvel (ver artigo 55º código estrada). Consulte também o manual do automóvel.
- A cadeira tem de estar sempre presa com o cinto de segurança do automóvel, mesmo quando não está a ser utilizada. Numa paragem brusca, uma cadeira solta pode causar danos aos seus ocupantes.
- Certifique-se de que a Maxi-Cosi Tobi não fique presa ou pressionada por bagagens pesadas, bancos reclináveis ou ao fechar portas.
- Nunca utilize a Maxi-Cosi Tobi sem a sua forra. A forra não pode ser substituída por outra que não aquela fornecida pelo fabricante, uma vez que esta faz parte integral da segurança da cadeira auto.
- Cubra sempre a cadeira quando o seu carro estiver estacionado ao sol, pois no verão as partes de plástico e de metal da cadeira Maxi-Cosi Tobi podem ficar muito quentes e causar queimaduras para além de provocar a descoloração da forra.
- Não remova os logótipos da forra, para evitar danos na mesma.
- Certifique-se de que a bagagem e outros objectos (por exemplo na chapeleira) que possam causar danos durante um acidente, estejam bem presos.
Em caso de uma paragem brusca ou colisão, estes tornar-se-ão projecteis perigosos!
- No caso de viagens mais longas, faça uma pausa para que a criança tenha alguma liberdade de movimento.
- **Nunca** deixe a criança sozinha no automóvel.
- É importante guardar o manual de instruções para futura consulta, no seu respectivo lugar, na parte de trás da Maxi-Cosi Tobi.
- Nunca utilize produtos em segunda mão, por se desconhecer a existência de possíveis danos.
O fabricante somente poderá garantir a segurança da cadeira quando esta se encontra na posse do primeiro utilizador.

P

- Não devem ser feitas quaisquer modificações pelo utilizador, tanto na cadeira auto como no arnês. Também não devem ser removidas as etiquetas ou autocolantes de avisos, etc., que façam parte da cadeira auto!
- Substitua sempre a Maxi-Cosi Tobi depois de um acidente; a cadeira auto pode sofrer danos imperceptíveis que a tornam perigosa para uso.
- O fabricante está ciente do facto de que as cadeiras auto podem deixar marcas no revestimento do banco ou no cinto de segurança do automóvel. Tais marcas, devido às normas de segurança aplicáveis e a força exercida para a correcta fixação das cadeiras, são praticamente impossíveis de serem evitadas. O fabricante não se responsabiliza por eventuais danos daí resultantes.

E está claro...

- Dê um bom exemplo e utilize sempre o seu cinto de segurança.

6. SEPARAÇÃO DE LIXO

Por motivos de segurança e sua correcta utilização, é desaconselhável a utilização das cadeiras auto por mais de 5 anos depois da sua aquisição. Devido ao processo lento de envelhecimento das peças em plástico, como os causados pela luz solar (UV), as características do produto podem se alterar de modo imperceptível.

Aconselhamos a não utilizar mais a cadeira auto de segurança quando esta se tornar pequena para a criança, devendo neste caso deitá-la fora.

No sentido de respeitar o ambiente, solicitamos ao utilizador; que separe o lixo ao adquirir o produto (embalagem) e durante a vida útil da Maxi-Cosi Tobi (componentes do produto) e deposit-e-os no locais de recolha para tal indicados.




Mantenha os materiais de plástico da embalagem fora do alcance de crianças, para evitar riscos de sufocamento.

Embalagem	Caixa de cartão	Colector de papel velho
	Saco plástico	Lixo comum
Componentes do produto	Forra	Lixo comum
	Peças de plástico	Conforme as características/tipos dos contentores para tal indicados
	Peças de metal	Contentor para metal
	Fitas do cinto	Contentor para materiais sintéticos
	Fecho do cinto	Lixo comum

Português

7. CADEIRAS SUCESSORAS

Tipo de cadeira auto	Aprovação segundo ECE R44/04		
	Grupo	Peso corporal	Idade
 Maxi-Cosi Rodi XR	2 + 3	15 a 36 kg	Aprox. 3,5 a 12 anos

P

8. GARANTIA

Nós garantimos que este produto foi fabricado de acordo com as normas de segurança e segundo os requisitos de qualidade europeus actuais aplicáveis a este produto e que, no acto da sua compra por parte do retalhista, não apresentava qualquer defeito de composição ou fabrico. Além disso, durante o processo de fabrico, este produto foi submetido a diversos controlos de qualidade. Se durante o período da garantia de 24 meses aparecer algum defeito de material e/ou de fabrico (com uso normal, tal como está descrito no manual de instruções), comprometemo-nos a respeitar as condições da garantia. Se for este o caso, deverá dirigir-se ao ponto de venda onde efectuou a compra. Para obter informações detalhadas sobre a aplicação das condições da garantia, consulte o lojista.

A garantia perde a validade nos seguintes casos:

- Se o produto for utilizado de forma diferente àquela descrita no manual de instruções.
- O produto não seja entregue para reparação a um revendedor autorizado.
- O produto não seja devolvido à loja acompanhado pelo recibo de aquisição original.
- As reparações foram efectuadas por terceiros ou por um distribuidor não reconhecido.
- Se o defeito resultar da utilização ou manutenção incorrecta ou insuficiente, por negligência ou danos resultantes de colisões contra o tecido e a armação;
- Se se tratar de desgaste normal de componentes previsíveis pelo uso quotidiano (rodas, peças giratórias e móveis... etc.).

A partir de quando?

O período de garantia tem início a partir da data de aquisição do produto.

Por quanto tempo?

Por um período de 24 meses consecutivos. A garantia pode apenas ser usufruída pelo primeiro proprietário, não sendo por isso transmissível.

O que debes fazer?

O recibo de compra do produto deve ser guardado em lugar seguro. A data da compra tem de estar claramente indicada no recibo de compra. Em caso de defeito do produto, deverá dirigir-se ao ponto de venda onde o adquiriu. Não é possível exigir a sua troca ou devolução. As reparações não dão direito a qualquer prorrogação do período de garantia. Os produtos que sejam devolvidos directamente ao fabricante serão excluídos da cobertura da garantia.

Esta cláusula da garantia está em conformidade com a Directiva Europeia 99/44/CE de 25 de Maio de 1999.

9. ESCLARECIMENTOS ADICIONAIS

Para qualquer dúvida ou esclarecimento adicional, por favor contacte a Dorel Portugal (ver contra-capa do manual de instruções). Tenha consigo os dados seguintes:

- O número de série constante no autocolante ECE cor-de-laranja/branco (na parte traseira da Maxi-Cosi Tobi).
- Marca, modelo e ano de fabricação do carro e o banco em que a Maxi-Cosi Tobi é utilizada.
- Idade (ou altura) e peso da sua criança.

Notes/Notizen/Notities/Notas/Noticias:



Notes/Notizen/Notities/Notas/Noticias:

Lined area for notes with a large, faint watermark in the center.



Notes

Notes/Notizen/Notities/Notas/Noticias:



Notes/Notizen/Notities/Notas/Noticias:



Notes

Free Manuals Download Website

<http://myh66.com>

<http://usermanuals.us>

<http://www.somanuals.com>

<http://www.4manuals.cc>

<http://www.manual-lib.com>

<http://www.404manual.com>

<http://www.luxmanual.com>

<http://aubethermostatmanual.com>

Golf course search by state

<http://golfingnear.com>

Email search by domain

<http://emailbydomain.com>

Auto manuals search

<http://auto.somanuals.com>

TV manuals search

<http://tv.somanuals.com>