

WL7-vers.C

MAXON[®] MOBILITY™

INSTALLATION INSTRUCTIONS

FOR

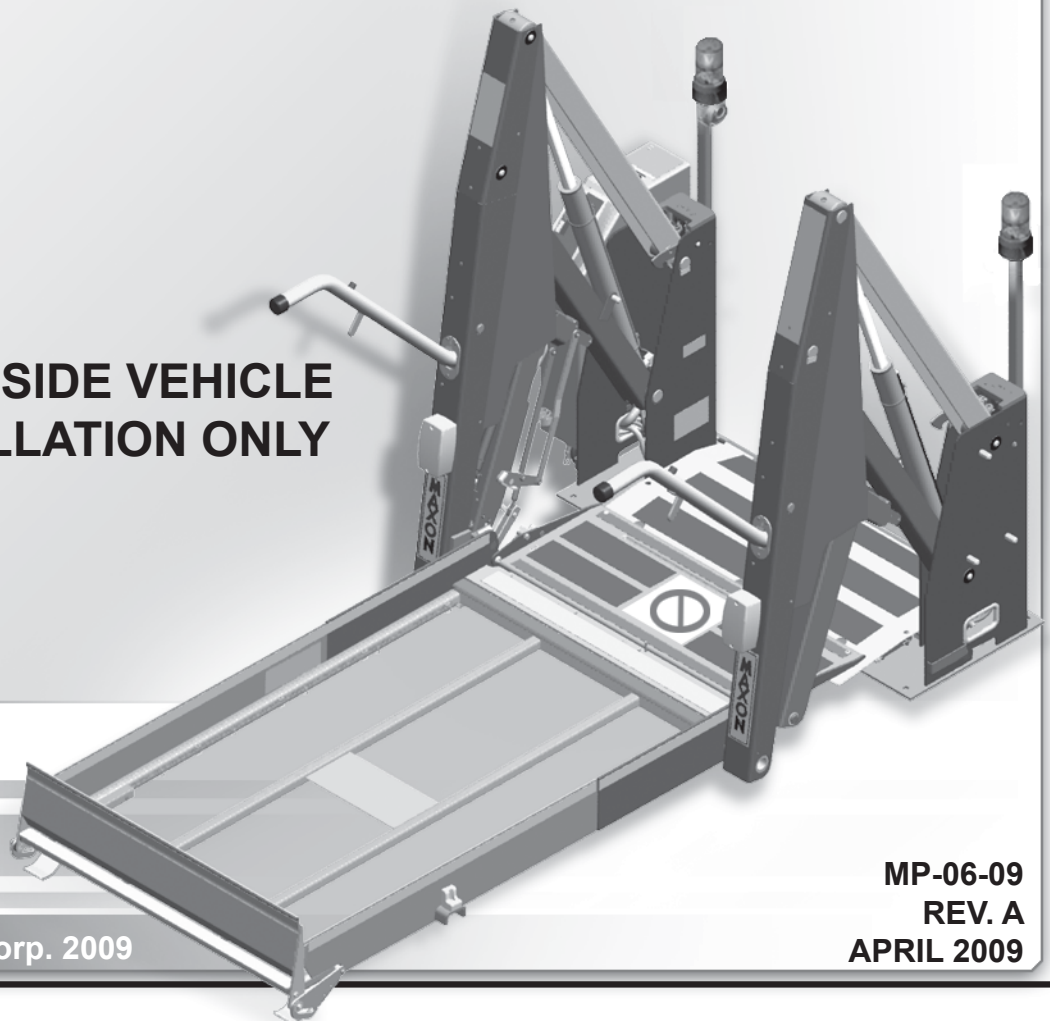
WHEELCHAIR LIFT MODEL NO.

- WL7-vers. C
- WL7-vers. C-1K

DOT-Public Use Lift

PATENTS PENDING

FOR INSIDE VEHICLE
INSTALLATION ONLY



© MAXON Lift Corp. 2009

MP-06-09
REV. A
APRIL 2009

PATENTS PENDING

THIS PAGE INTENTIONALLY LEFT BLANK

PATENTS PENDING

TABLE OF CONTENTS

INTRODUCTION	6
SAFETY SUMMARY	6
VEHICLE REQUIREMENTS	8
LIGHTING.....	9
WHEELCHAIR DOOR DIMENSIONS	10
LIFT DIMENSIONS	11
LIFT COMPONENTS & TERMINOLOGY.....	14
DECALS AND DECAL PLACEMENT	16
DECALS FOR WL7-vers. C.....	17
DECALS FOR WL7-vers. C-1K.....	18
SERIAL PLATE & CONTROLLER.....	19
ANTI-SLIP & SAFETY STRIPING	20
LIFT INSTALLATION	23
INSTALLATION KITS	23
PREPARING AND POSITIONING THE LIFT	23
USING TEMPLATE TO POSITION LIFT	25
MOUNTING THE LIFT	28
INSTALL MAIN CIRCUIT BREAKER.....	29
ROUTE/CONNECT CABLES & HAND PENDANT	31
CHECKING HYDRAULIC FLUID LEVEL	39
ADJUSTMENTS	42
MAT SWITCH ADJUSTMENT (IF REQUIRED).....	42
PLATFORM TILT ADJUSTMENT (MANDATORY)	44
INBOARD SWITCH ADJUSTMENT (IF REQUIRED)	46
CHANGING CONTROLLER TO SPANISH OR ENGLISH (IF REQUIRED)	48

OUTBOARD ROLLSTOP TIME ADJUSTMENT (IF REQUIRED) 50

FLOOR POSITION ADJUSTMENT (MANDATORY) 52

SYSTEM DIAGRAMS 57

HYDRAULIC SYSTEM DIAGRAM 57

ELECTRICAL SYSTEM DIAGRAM 58

COMPLETED LIFT INSTALLATION CHECKLIST 59

MAXON[®] 11921 Slauson Ave. Santa Fe Springs, CA. 90670 (800) 227-4116 FAX (888) 771-7713

INTRODUCTION

This manual contains instructions for installing the **MAXON MOBILITY** Wheelchair Lift in a transit vehicle. Please follow these instructions carefully and call us immediately if you need assistance with the installation. Do not take shortcuts, skip over installation steps, or modify the Lift. Correct installation is important to ensure the Lift operates correctly. If you have questions that are not covered in this manual, please contact:

MAXON Lift Corp. - Customer Service
11921 Slauson Ave., Santa Fe Springs, CA 90670
Phone: (800) 227-4116 FAX: (888) 771-7713
E-mail: cservice@maxonlift.com

After receiving the Wheelchair Lift, unpack the Lift and check it for freight damage. For freight-damaged items, immediately submit a claim to the carrier.

Make sure installation kit contains all items on the packing list shipped with the kit. Please report any missing items immediately to our **Customer Service Department**. The **Warranty Registration Card**, shipped with the Lift, must be completed and returned to **Maxon Lift Corp.** within 30 days after installation and/or receipt of the Lift.

SAFETY SUMMARY

Comply with the following WARNINGS and safety precautions while maintaining the Wheelchair Lift. See Operator's Manual for operating safety requirements.

WARNING

1. Read and understand the instructions in this **Installation Manual** before installing Lift.
2. Before operating the Lift, read and understand the operating instructions contained in the **Operator's Manual**.
3. Comply with all **WARNING** and instruction decals attached to both the Lift and the vehicle.
4. Keep decals clean and legible. If decals are illegible or missing, **free replacement decals** are available from **MAXON Lift Corp. Customer Service**. Refer to **DECALS & DECAL PLACEMENT** and the instructions for installing decals on vehicle in this manual.
5. Consider the safety and location of bystanders and location of nearby objects when operating the Lift. Stand to one side of platform while operating the Lift.
6. Do not allow untrained persons to operate the Lift.
7. Do not stand, or allow obstructions, under the Platform when lowering the Lift. **Be sure your feet are clear of the Lift.**
8. **Keep fingers, hands, arms, legs, and feet clear of moving Lift parts (and platform edges) when operating the Lift.**
9. **Make sure vehicle battery power is disconnected when installing Lift. Connect vehicle power to the Lift only when instructed to connect power.**

1. Read and understand the instructions in this **Installation Manual** before installing Lift.
2. Before operating the Lift, read and understand the operating instructions contained in the **Operator's Manual**.
3. Comply with all **WARNING** and instruction decals attached to both the Lift and the vehicle.
4. Keep decals clean and legible. If decals are illegible or missing, **free replacement decals** are available from **MAXON Lift Corp. Customer Service**. Refer to **DECALS & DECAL PLACEMENT** and the instructions for installing decals on vehicle in this manual.
5. Consider the safety and location of bystanders and location of nearby objects when operating the Lift. Stand to one side of platform while operating the Lift.
6. Do not allow untrained persons to operate the Lift.

MAXON[®] 11921 Slauson Ave. Santa Fe Springs, CA. 90670 (800) 227-4116 FAX (888) 771-7713

VEHICLE REQUIREMENTS

The minimum vehicle requirements for installing the WL7 Wheelchair Lift are described below. Installing the Lift in accordance with the vehicle requirements and the instructions in this manual will result in an installation that is compliant with Federal Motor Vehicle Safety Standard (FMVSS) 403 and FMVSS 404.

MAXON[®]

11921 Slauson Ave. Santa Fe Springs, CA. 90670 (800) 227-4116 FAX (888) 771-7713

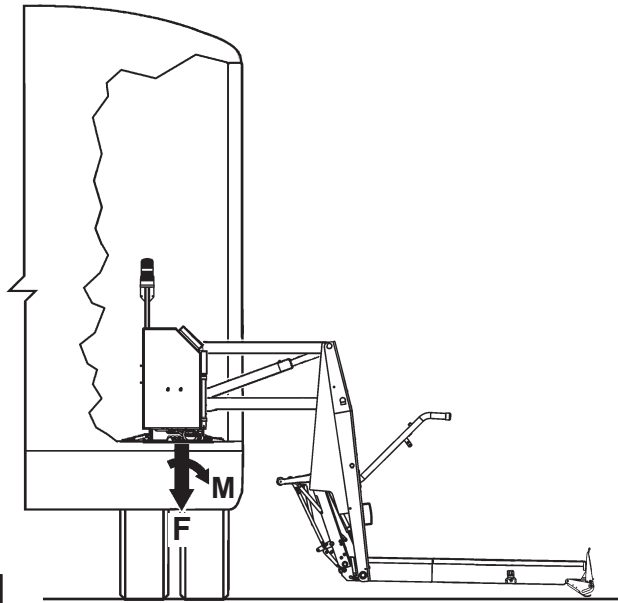
BODY STRENGTH

⚠ WARNING

Consult body manufacturer for body strength data. Make sure the forces created by the Lift are within the limits prescribed by body manufacturer.

NOTE: The Lift represents approximately 400 lbs. of "F" shown in the illustration.

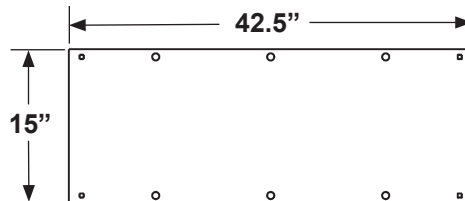
The WL7 Lift must be bolted to the vehicle body. Body must withstand the maximum vertical force ("F") and moment of force ("M") (FIG. 8-1 and TABLE 8-1) produced by the Lift on the vehicle floor surface shown in FIGS. 8-2 and 8-3.



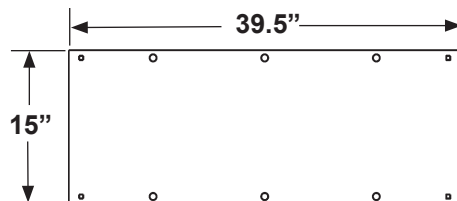
FORCE & MOMENT PRODUCED BY LIFT ON VEHICLE FLOOR
FIG. 8-1

MODEL	"F" (LB)	"M" (LB-IN)
WL7-vers. C	2800	154,000
WL7-vers. C-1K	3400	187,000

TABLE 8-1



LIFT FOOTPRINT ON VEHICLE FLOOR (LIFT WITH 33" OR 34" PLATFORM)
FIG. 8-2



LIFT FOOTPRINT ON VEHICLE FLOOR (LIFT WITH 30" PLATFORM)
FIG. 8-3

ELECTRICAL POWER

Vehicle must have a 12 volt dc electrical system capable of supplying 65 amperes of electrical power to the Lift for each operating cycle.

SAFETY INTERLOCK SYSTEM

Vehicle must have an FMVSS 403 compliant, onboard Safety Interlock System that interfaces with the Wheel-chair Lift interlock signal. Interlock signal may be V+ or V-. The interlock system on a host vehicle must:

- Prevent the Lift from deploying when vehicle is in drive or reverse.
- Prevent the vehicle from moving when the Lift is deployed.
- Prevent the Lift from disabling vehicle if the Lift signals a deployed condition when the vehicle is moving.

For the applicable interlock electrical connections on the Lift, refer to the **ELECTRICAL SYSTEM DIAGRAM** in this manual. For more information about the interlock connections, call:

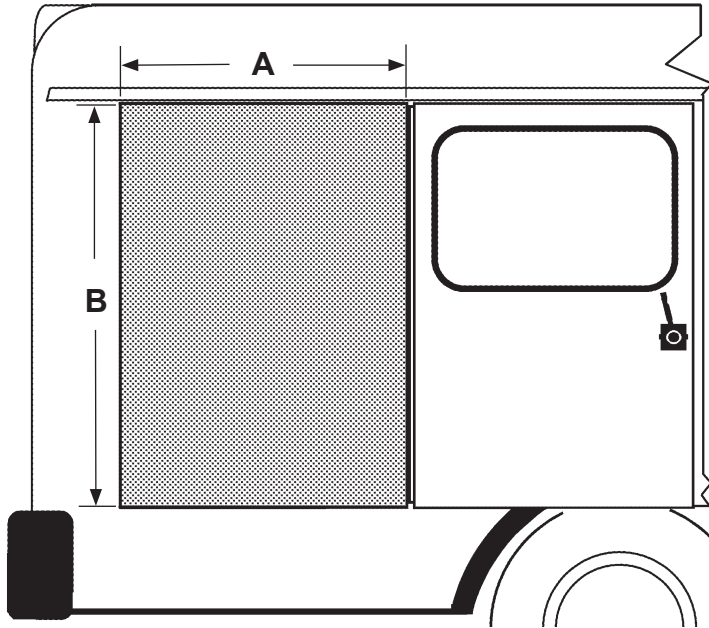
MAXON Lift Corp. Technical Service at (800) 227-4116

LIGHTING

Public use vehicle manufacturers are responsible for complying with Lift lighting requirements stated in Federal Motor Vehicle Safety Standard No. 404, Platform Lift Installations in Motor Vehicles (49 CFR 571.404).

VEHICLE REQUIREMENTS - Continued

WHEELCHAIR DOOR DIMENSIONS



WHEELCHAIR DOOR DIMENSIONS ON
TYPICAL VEHICLE WITH SIDE DOOR
(SEE TABLE 10-1)
FIG. 10-1

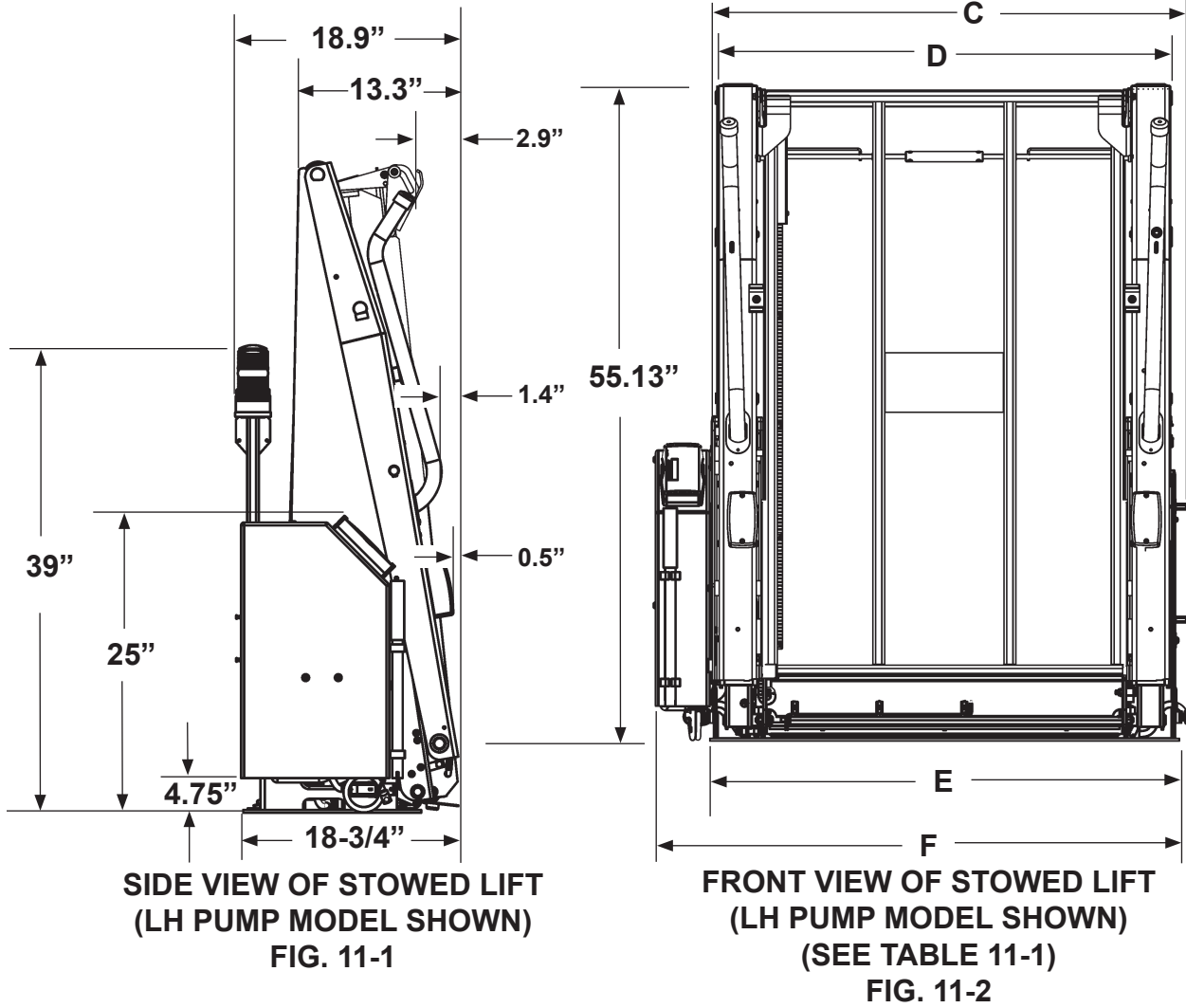
MODEL DESCRIPTIONS	A	B
	WHEELCHAIR DOOR WIDTH (MINIMUM)	WHEELCHAIR DOOR HEIGHT (MINIMUM)
30" WIDE PLATFORM RH PUMP	39"	56"
30" WIDE PLATFORM LH PUMP		
33" WIDE PLATFORM RH PUMP	42"	
33" WIDE PLATFORM LH PUMP		
34" WIDE PLATFORM RH PUMP	43"	
34" WIDE PLATFORM LH PUMP		

TABLE 10-1

MAXON[®]

11921 Slauson Ave. Santa Fe Springs, CA. 90670 (800) 227-4116 FAX (888) 771-7713

LIFT DIMENSIONS



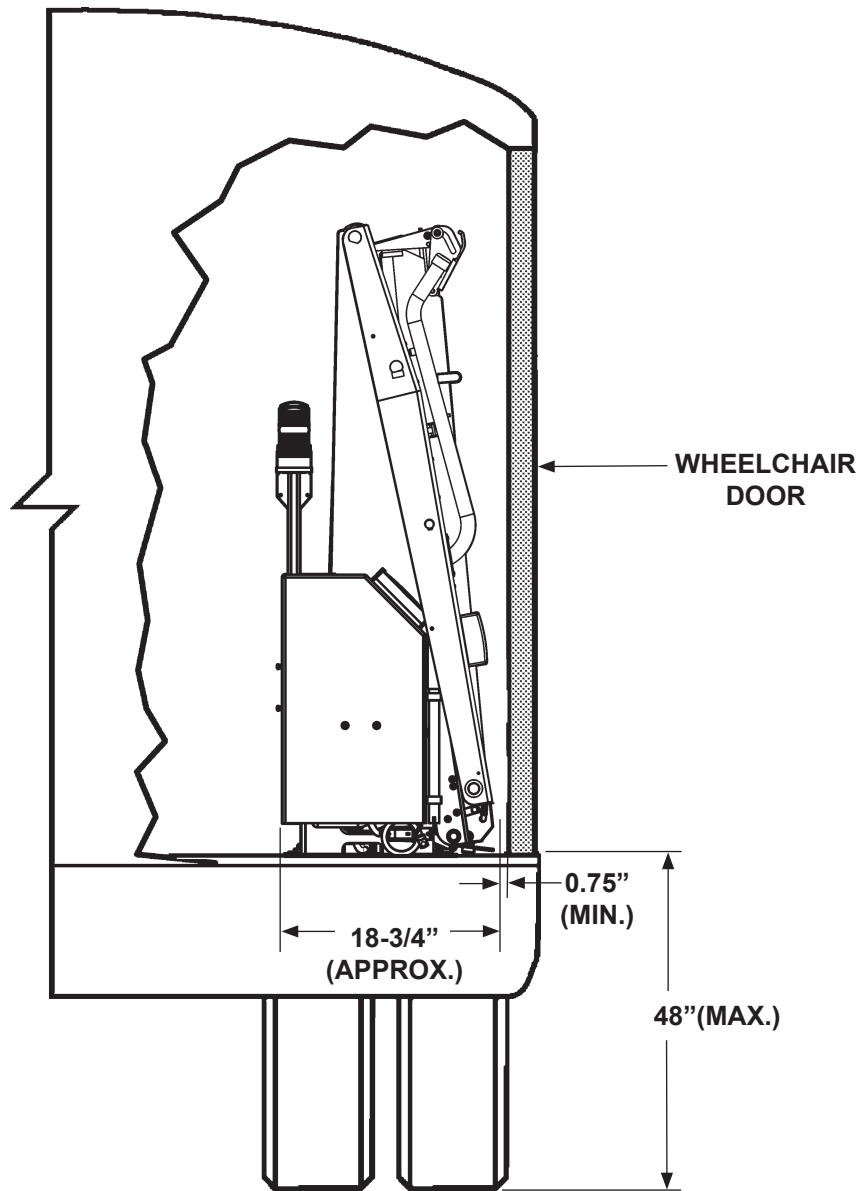
	C	D	E	F
MODEL DESCRIPTIONS	LIFT WIDTH AT WARNING BEACONS	LIFT WIDTH AT HANDRAILS	LIFT WIDTH AT BASE PLATE	OVERALL LIFT WIDTH (INCLUDING PUMP COVER)
30" WIDE PLATFORM RH PUMP	40.25"	38"	39.5"	45.5"
30" WIDE PLATFORM LH PUMP				
33" WIDE PLATFORM RH PUMP	43.25"	41"	42.5"	48.5"
33" WIDE PLATFORM LH PUMP				
34" WIDE PLATFORM RH PUMP	44.25"	42"	43.5"	49.5"
34" WIDE PLATFORM LH PUMP				

TABLE 11-1

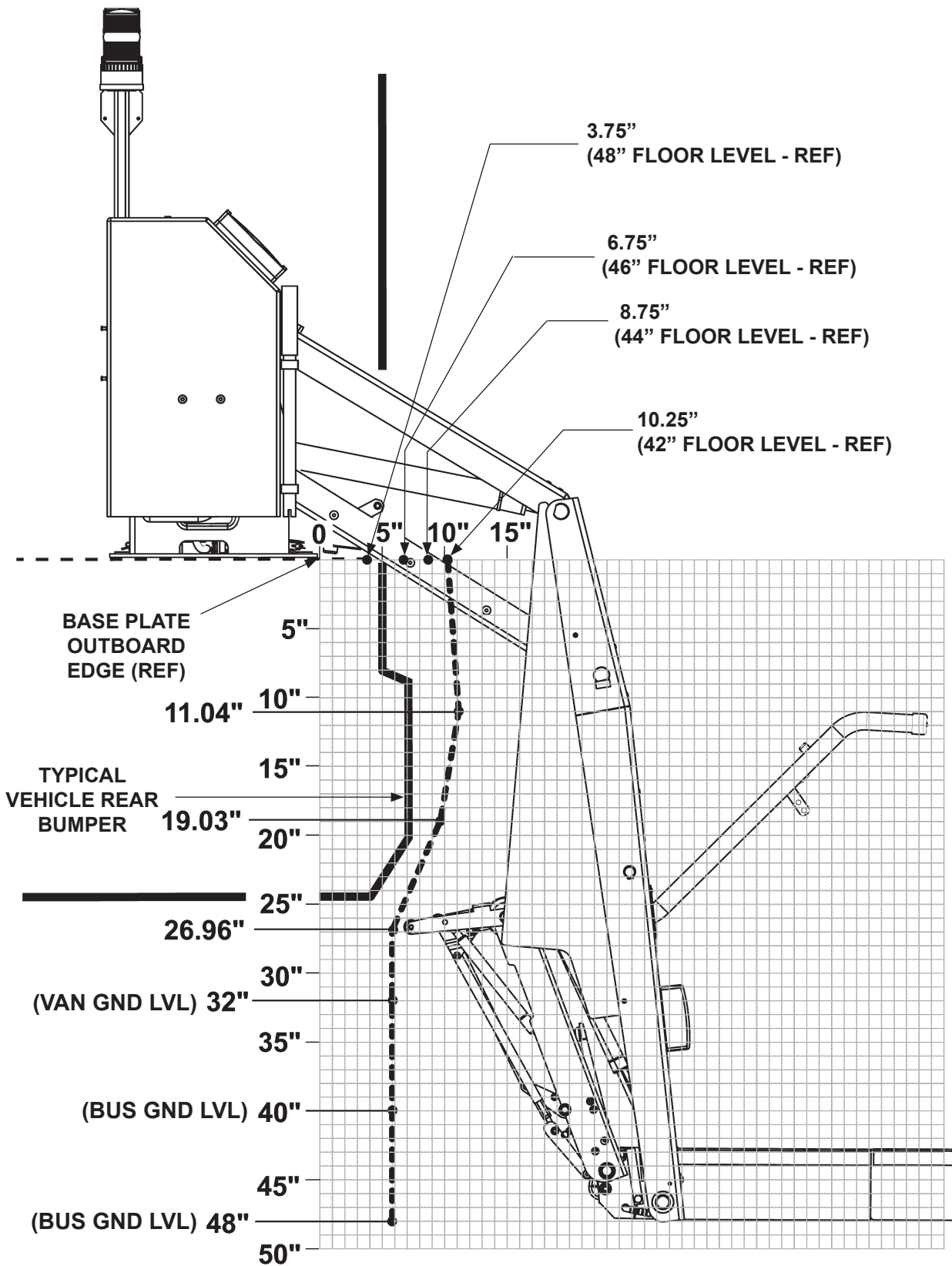
VEHICLE REQUIREMENTS - Continued

MAXON[®]

11921 Slauson Ave. Santa Fe Springs, CA. 90670 (800) 227-4116 FAX (888) 771-7713



**WHEELCHAIR DOOR CLEARANCE & FLOOR HEIGHT ON TYPICAL VEHICLE WITH SIDE DOOR
FIG. 12-1**



BODY CLEARANCE POINTS: 32", 40", 42", 46" & 48" FLOOR HEIGHTS
FIG. 13-1

MAXON® 11921 Slauson Ave. Santa Fe Springs, CA. 90670 (800) 227-4116 FAX (888) 771-7713

ITEM	NAME	DESCRIPTION
1.	THRESHOLD PLATE	Component that bridges the entry way, through the Lift, into the vehicle. Detects if that portion of Lift is occupied during "UP/DOWN" operation between vehicle floor and the ground.
2.	OUTBOARD ROLLSTOP	Barrier to prevent the wheelchair from rolling off of the platform. Provides entry/exit ramp for platform on the ground.
3.	PLATFORM	Contains the wheelchair and occupant during "UP/DOWN" operation between vehicle floor and the ground.
4.	HANDRAILS	(Left/Right) Provides a hand hold for the Lift occupant.
5.	INBOARD ROLLSTOP	Barrier to prevent the wheelchair from rolling off inboard side of platform. Provides bridge between platform and threshold.
6.	HYDRAULIC CYLINDER	(Left/Right) Telescoping steel tube and rod, pressurized by hydraulic fluid, that folds and unfolds the Lift and moves the Lift up and down.
7.	HYDRAULIC POWER UNIT (COVER IS SHOWN)	Contains motorized hydraulic pump, manually operated backup pump, fluid lines, and controls that operate the hydraulic cylinders.
8.	LIFT CONTROLLER (BRAIN BOX)	Electronic device that controls and monitors Lift operation and the interlock connection with the vehicle.
9.	BASE	Structure that secures Lift to the vehicle floor.
10.	THRESHOLD WARNING BEACON	Flashing red light indicates threshold is occupied by a person or object when the platform is below floor level. Indicates outboard rollstop is open if platform is at floor level.
11.	THRESHOLD WARNING ALARM	Audible alarm sounds when threshold is occupied by a person or object when the platform is below floor level. Also indicates outboard rollstop is open if platform is at floor level.
12.	PLATFORM LIGHTS	Illuminates the platform when ready to load at floor level and during "UP/DOWN" operation between vehicle floor and the ground.

TABLE 15-1

MAXON[®] 11921 Slauson Ave. Santa Fe Springs, CA. 90670 (800) 227-4116 FAX (888) 771-7713

DECALS AND DECAL PLACEMENT

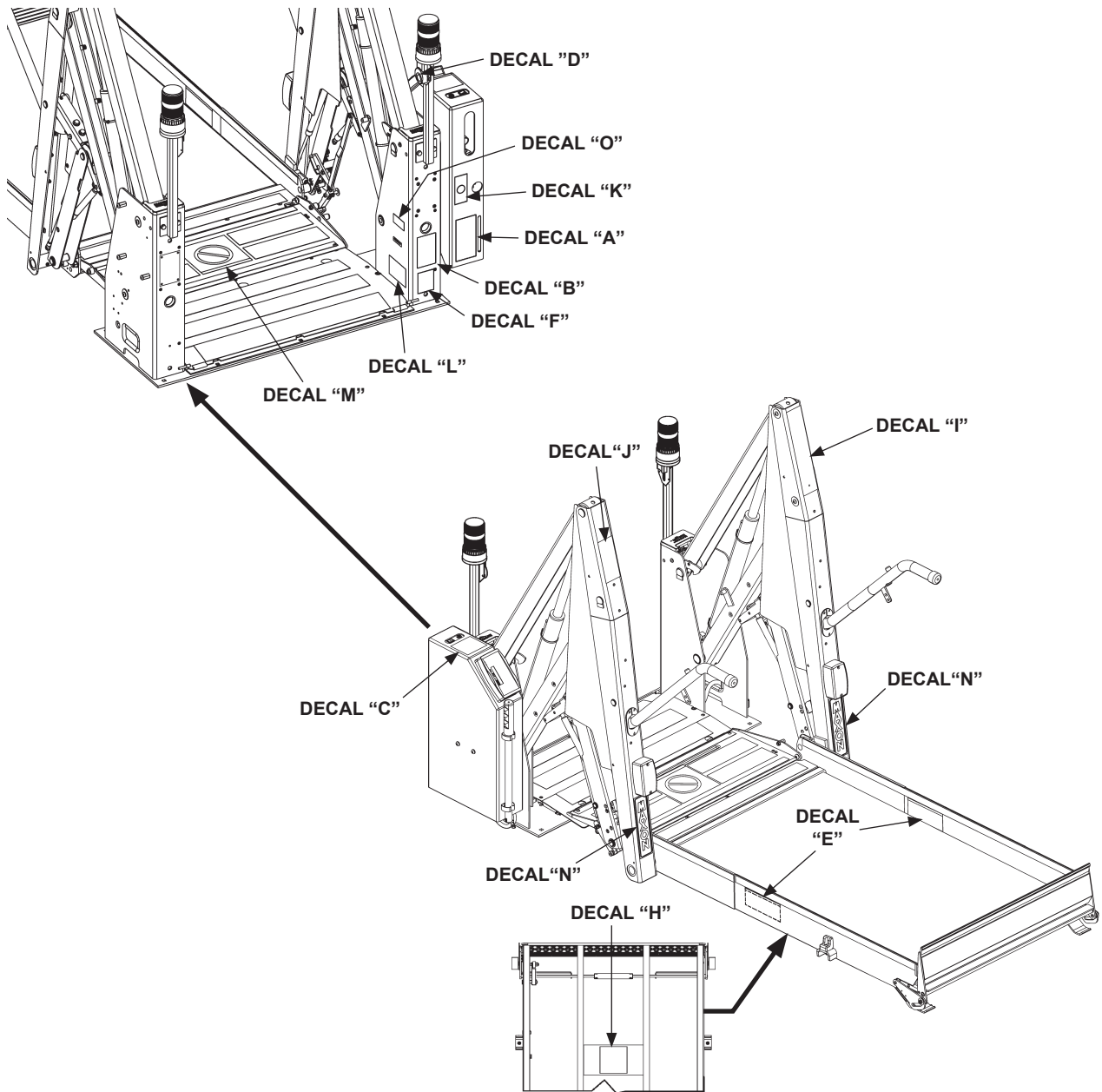


FIG. 16-1

All **WARNING**, **CAUTION**, and **OPERATION** decals provided with Wheelchair Lift must always be in place on the Lift and vehicle (see FIG. 36-1), and must always be legible. If decals are missing or illegible, get free replacement decals from:

MAXON Lift Corp. - Customer Service
11921 Slauson Ave., Santa Fe Springs, CA 90670
Phone: (800) 227-4116 FAX: (888) 771-7713
E-mail: cservice@maxonlift.com

MAXON[®]

11921 Slauson Ave. Santa Fe Springs, CA. 90670 (800) 227-4116 FAX (888) 771-7713

DECALS FOR WL7-vers. C

BACKUP OPERATING INSTRUCTIONS FOR UNLOADING PASSENGERS
DOT-PUBLIC USE LIFT **A**

- PUMP TO PRESSURIZE
- RAISE LH & RH LATCHES
- 1/4 - 1/2 TURN OPEN VALVE
- UNFOLD
- TIGHTEN CLOSE VALVE
- LOAD OCCUPANT
- 1/4 - 1/2 TURN OPEN VALVE
- LOWER & UNLOAD OCCUPANT
- TIGHTEN CLOSE VALVE

BACKUP OPERATING INSTRUCTIONS FOR LOADING PASSENGERS
DOT-PUBLIC USE LIFT **B**

- LOAD OCCUPANT
- TIGHTEN CLOSE VALVE
- PUMP
- RAISE & UNLOAD OCCUPANT
- PUMP
- STOW



OPERATING INSTRUCTIONS
DOT-PUBLIC USE LIFT

UNFOLD LIFT:

- FULLY OPEN AND SECURE WHEELCHAIR DOOR(S).
- MAKE SURE SEAT BELT IS FASTENED IF EQUIPPED.
- PUSH FOLD SWITCH FOR 1-2 SECONDS.
- PUSH UNFOLD SWITCH TO UNFOLD PLATFORM TO VEHICLE FLOOR LEVEL.

LOAD PASSENGERS:

- PUSH DOWN SWITCH TO LOWER PLATFORM TO GROUND LEVEL.
- UNFASTEN SEAT BELT IF EQUIPPED.
- POSITION WHEELCHAIR IN THE CENTER OF PLATFORM AND LOCK WHEELCHAIR BRAKES.
- FASTEN SEAT BELT IF EQUIPPED.
- PUSH UP SWITCH TO RAISE PLATFORM TO VEHICLE FLOOR LEVEL.
- RELEASE WHEELCHAIR BRAKES.
- LOAD WHEELCHAIR IN VEHICLE.

UNLOAD PASSENGERS:

- POSITION WHEELCHAIR IN THE CENTER OF PLATFORM AND LOCK WHEELCHAIR BRAKES.
- MAKE SURE SEAT BELT IS FASTENED IF EQUIPPED.
- PUSH DOWN SWITCH TO LOWER PLATFORM TO GROUND LEVEL.
- UNFASTEN SEAT BELT IF EQUIPPED.
- RELEASE WHEELCHAIR BRAKES.
- UNLOAD WHEELCHAIR FROM PLATFORM.

STOW LIFT:

FROM VEHICLE FLOOR LEVEL

- MAKE SURE PLATFORM IS EMPTY AND SEAT BELT IS FASTENED IF EQUIPPED.
- PUSH FOLD SWITCH UNTIL PLATFORM FOLDS COMPLETELY, UNDER HYDRAULIC PRESSURE.

FROM GROUND LEVEL

- MAKE SURE PLATFORM IS EMPTY AND SEAT BELT IS FASTENED IF EQUIPPED.
- PUSH UP SWITCH TO RAISE PLATFORM TO VEHICLE FLOOR LEVEL.
- PUSH FOLD SWITCH UNTIL PLATFORM FOLDS COMPLETELY, UNDER HYDRAULIC PRESSURE.

CAUTION

Prevent injury & damage to lift. Make sure Rollstop rests on top of Threshold Plate before loading & unloading passengers. Raise or lower Platform until Rollstop rests correctly on Threshold Plate.



STANDING POSITION ON PLATFORM

Position a standing passenger in center of platform between handrails, gripping handrails, and facing direction of travel.

BACKUP OPERATION

- TO UNFOLD, OPEN VALVE SLOWLY
- TO LOWER, OPEN VALVE

- CLOSE VALVE TIGHTLY
- TO STOP UNFOLDING
- TO STOP LOWERING
- BEFORE RAISING & FOLDING

Chassis Electrical Ground

The surface finish of this lift is powder coat paint. To insure a proper electrical ground to the vehicle chassis remove the paint from the area around the chassis grounding strap mounting bolt hole by grinding or sanding the surface to expose bare metal. Also, remove any undercoating from the surface of the vehicle chassis where the strap will be fastened.

The MAXON Lift Corp. certifies that this wheelchair lift conforms to all applicable requirements of the Americans w/Disabilities Act of 1990, current National School Transportation Specifications and Procedures, and the California Code of Regulations requirements in effect on the date of manufacture.

WARNING

THIS WHEELCHAIR LIFT MUST BE OPERATED BY AN ATTENDANT. DO NOT ATTEMPT TO RIDE LIFT WITHOUT THE ASSISTANCE OF AN ATTENDANT. IMPROPER OPERATION OF THIS LIFT CAN RESULT IN SERIOUS PERSONAL INJURY. DO NOT OPERATE UNLESS YOU HAVE BEEN PROPERLY INSTRUCTED AND HAVE READ AND ARE FAMILIAR WITH THE OPERATING INSTRUCTIONS AND SAFETY SUMMARY CONTAINED IN THE OPERATOR'S MANUAL. IF YOU DO NOT HAVE A COPY OF THE OPERATOR'S MANUAL, ADDITIONAL COPIES ARE AVAILABLE FROM:

MAXON LIFT CORP.
11921 SLAUSON AVE.
SANTA FE SPRINGS, CA 90670
(800) 227-4116
WWW.MAXONMOBILITY.COM

DO NOT EXCEED RATED LOAD CAPACITY OF LIFT WHICH IS:

800 lbs. (364 kg)

WARNING

To avoid possible injury, stand clear of the Lift Platform.

CAUTION

To avoid possible injury and damage to equipment, never stand on Rollstop while Lift is operating.

DOT-Public Use Lift

DECAL SET P/N 268302-01
FIG. 17-1

MAXON 11921 Slauson Ave. Santa Fe Springs, CA. 90670 (800) 227-4116 FAX (888) 771-7713

DECALS AND DECAL PLACEMENT - Continued

DECALS FOR WL7-vers. C-1K

MAXON[®] 11921 Slauson Ave. Santa Fe Springs, CA. 90670 (800) 227-4116 FAX (888) 771-7713

BACKUP OPERATING INSTRUCTIONS FOR UNLOADING PASSENGERS DOT-PUBLIC USE LIFT **A**

1. PUMP TO PRESSURIZE
2. RAISE LH & RH LATCHES
3. 1/4 - 1/2 TURN OPEN VALVE
4. TO FLOOR UNFOLD
5. TIGHTEN CLOSE VALVE
6. LOAD OCCUPANT
7. 1/4 - 1/2 TURN OPEN VALVE
8. LOWER & UNLOAD OCCUPANT
9. TIGHTEN CLOSE VALVE

BACKUP OPERATING INSTRUCTIONS FOR LOADING PASSENGERS DOT-PUBLIC USE LIFT **B**

1. LOAD OCCUPANT
2. TIGHTEN CLOSE VALVE
3. PUMP
4. TO FLOOR RAISE & UNLOAD OCCUPANT
5. PUMP
6. STOW



OPERATING INSTRUCTIONS DOT-PUBLIC USE LIFT

UNFOLD LIFT:

1. FULLY OPEN AND SECURE WHEELCHAIR DOOR(S).
2. MAKE SURE SEAT BELT IS FASTENED IF EQUIPPED.
3. PUSH FOLD SWITCH FOR 1-2 SECONDS.
4. PUSH UNFOLD SWITCH TO UNFOLD PLATFORM TO VEHICLE FLOOR LEVEL.

LOAD PASSENGERS:

1. PUSH DOWN SWITCH TO LOWER PLATFORM TO GROUND LEVEL.
2. UNFASTEN SEAT BELT IF EQUIPPED.
3. POSITION WHEELCHAIR IN THE CENTER OF PLATFORM AND LOCK WHEELCHAIR BRAKES.
4. FASTEN SEAT BELT IF EQUIPPED.
5. PUSH UP SWITCH TO RAISE PLATFORM TO VEHICLE FLOOR LEVEL.
6. RELEASE WHEELCHAIR BRAKES.
7. LOAD WHEELCHAIR IN VEHICLE.

UNLOAD PASSENGERS:

1. POSITION WHEELCHAIR IN THE CENTER OF PLATFORM AND LOCK WHEELCHAIR BRAKES.
2. MAKE SURE SEAT BELT IS FASTENED IF EQUIPPED.
3. PUSH DOWN SWITCH TO LOWER PLATFORM TO GROUND LEVEL.
4. UNFASTEN SEAT BELT IF EQUIPPED.
5. RELEASE WHEELCHAIR BRAKES.
6. UNLOAD WHEELCHAIR FROM PLATFORM.

STOW LIFT:

FROM VEHICLE FLOOR LEVEL

1. MAKE SURE PLATFORM IS EMPTY AND SEAT BELT IS FASTENED IF EQUIPPED.
2. PUSH FOLD SWITCH UNTIL PLATFORM FOLDS COMPLETELY, UNDER HYDRAULIC PRESSURE.

FROM GROUND LEVEL

1. MAKE SURE PLATFORM IS EMPTY AND SEAT BELT IS FASTENED IF EQUIPPED.
2. PUSH UP SWITCH TO RAISE PLATFORM TO VEHICLE FLOOR LEVEL.
3. PUSH FOLD SWITCH UNTIL PLATFORM FOLDS COMPLETELY, UNDER HYDRAULIC PRESSURE.

I

CAUTION

C

Prevent injury & damage to lift. Make sure Rollstop rests on top of Threshold Plate before loading & unloading passengers. Raise or lower Platform until Rollstop rests correctly on Threshold Plate.



STANDING POSITION ON PLATFORM

E

Position a standing passenger in center of platform between handrails, gripping handrails, and facing direction of travel.

BACKUP OPERATION

- TO UNFOLD, OPEN VALVE SLOWLY
- TO LOWER, OPEN VALVE

K

- CLOSE VALVE TIGHTLY
- TO STOP UNFOLDING
- TO STOP LOWERING
- BEFORE RAISING & FOLDING

F

Chassis Electrical Ground

The surface finish of this lift is powder coat paint. To insure a proper electrical ground to the vehicle chassis remove the paint from the area around the chassis grounding strap mounting bolt hole by grinding or sanding the surface to expose bare metal. Also, remove any undercoating from the surface of the vehicle chassis where the strap will be fastened.

L

The MAXON Lift Corp. certifies that this wheelchair lift conforms to all applicable requirements of the Americans w/Disabilities Act of 1990, current National School Transportation Specifications and Procedures, and the California Code of Regulations requirements in effect on the date of manufacture.

WARNING

THIS WHEELCHAIR LIFT MUST BE OPERATED BY AN ATTENDANT. DO NOT ATTEMPT TO RIDE LIFT WITHOUT THE ASSISTANCE OF AN ATTENDANT. IMPROPER OPERATION OF THIS LIFT CAN RESULT IN SERIOUS PERSONAL INJURY. DO NOT OPERATE UNLESS YOU HAVE BEEN PROPERLY INSTRUCTED AND HAVE READ, AND ARE FAMILIAR WITH, THE OPERATING INSTRUCTIONS AND SAFETY SUMMARY CONTAINED IN THE OPERATOR'S MANUAL. IF YOU DO NOT HAVE A COPY OF THE OPERATOR'S MANUAL, ADDITIONAL COPIES ARE AVAILABLE FROM:

MAXON LIFT CORP.
11921 SLAUSON AVE.
SANTA FE SPRINGS, CA 90670
(800) 227-4116
WWW.MAXONMOBILITY.COM

DO NOT EXCEED RATED LOAD CAPACITY OF LIFT WHICH IS:

1000 lbs. (453 kg)

J

WARNING

H

To avoid possible injury, stand clear of the Lift Platform.

CAUTION

M

To avoid possible injury and damage to equipment, never stand on Rollstop while Lift is operating.

DOT-Public Use Lift

O

DECAL SET P/N 268302-03
FIG. 18-1

SERIAL PLATE & CONTROLLER

MAXON
2027-4116

11921 Slauson Ave.
Santa Fe Springs, CA 90670
(800) 227-4116

P/N 267630-01

DOWN PLATFORM IS LOWERING TO THE GROUND
 FLOOR PLATFORM IS AT VEHICLE FLOOR LEVEL
 FOLD PLATFORM IS FOLDING TO STOW LIFT
 GROUND PLATFORM IS ON THE GROUND
 STOWED LIFT STOWED CORRECTLY - INTERLOCK SIGNAL SENT TO VEHICLE
 UNFOLD PLATFORM IS UNFOLDING TO VEHICLE FLOOR LEVEL
 UP PLATFORM IS RISING TO VEHICLE FLOOR LEVEL

FOR MORE DISPLAY READINGS, SEE DISPLAY READINGS DECAL ON (OR NEAR) WHEELCHAIR DOOR. TO USE THE READINGS FOR TROUBLESHOOTING THE LIFT, SEE TROUBLESHOOTING SECTION IN MAINTENANCE MANUAL.

CONTROLLER OVERLAY
P/N 2667630-01

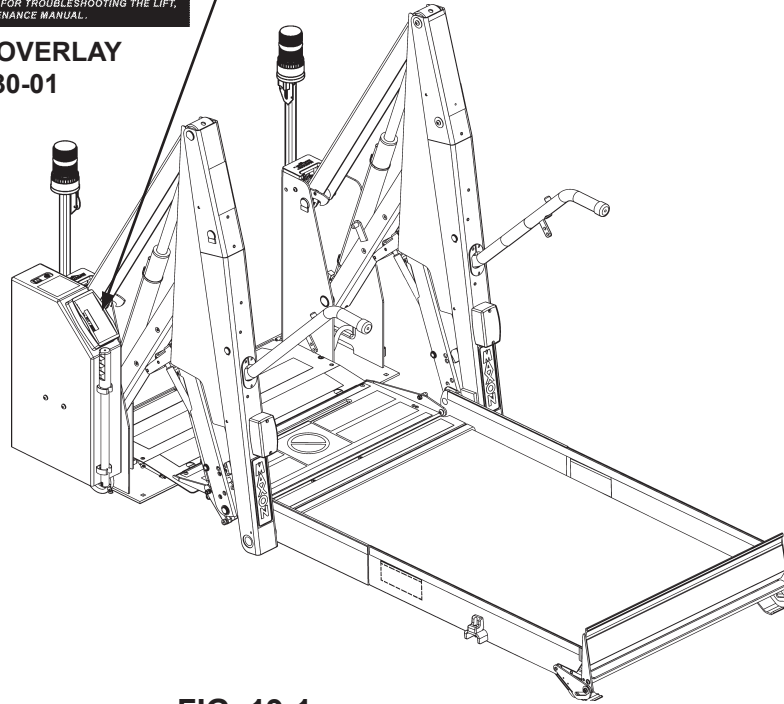


FIG. 19-1

MAXON
MOBILITY PATENTS PENDING

SERIAL #

11921 SLAUSON AVE.
SANTA FE SPRINGS, CA 90670
800-227-4116 www.maxonmobility.com
MADE IN MEXICO

MODEL CAPACITY LBS.

MAY BE COVERED BY ONE OR MORE OF THE FOLLOWING
PATENTS: 6,461,097 6,705,824

P/N 905246-8

SERIAL PLATE
P/N 905246-8

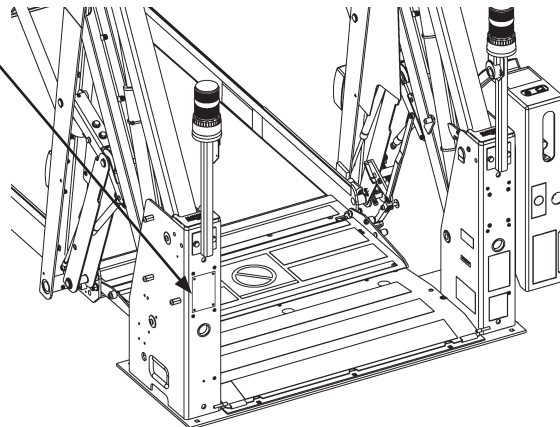


FIG. 19-2

MAXON 11921 Slauson Ave. Santa Fe Springs, CA. 90670 (800) 227-4116 FAX (888) 771-7713

ANTI-SLIP & SAFETY STRIPING (30" WIDE PLATFORM)

MAXON[®]

11921 Slauson Ave. Santa Fe Springs, CA. 90670 (800) 227-4116 FAX (888) 771-7713

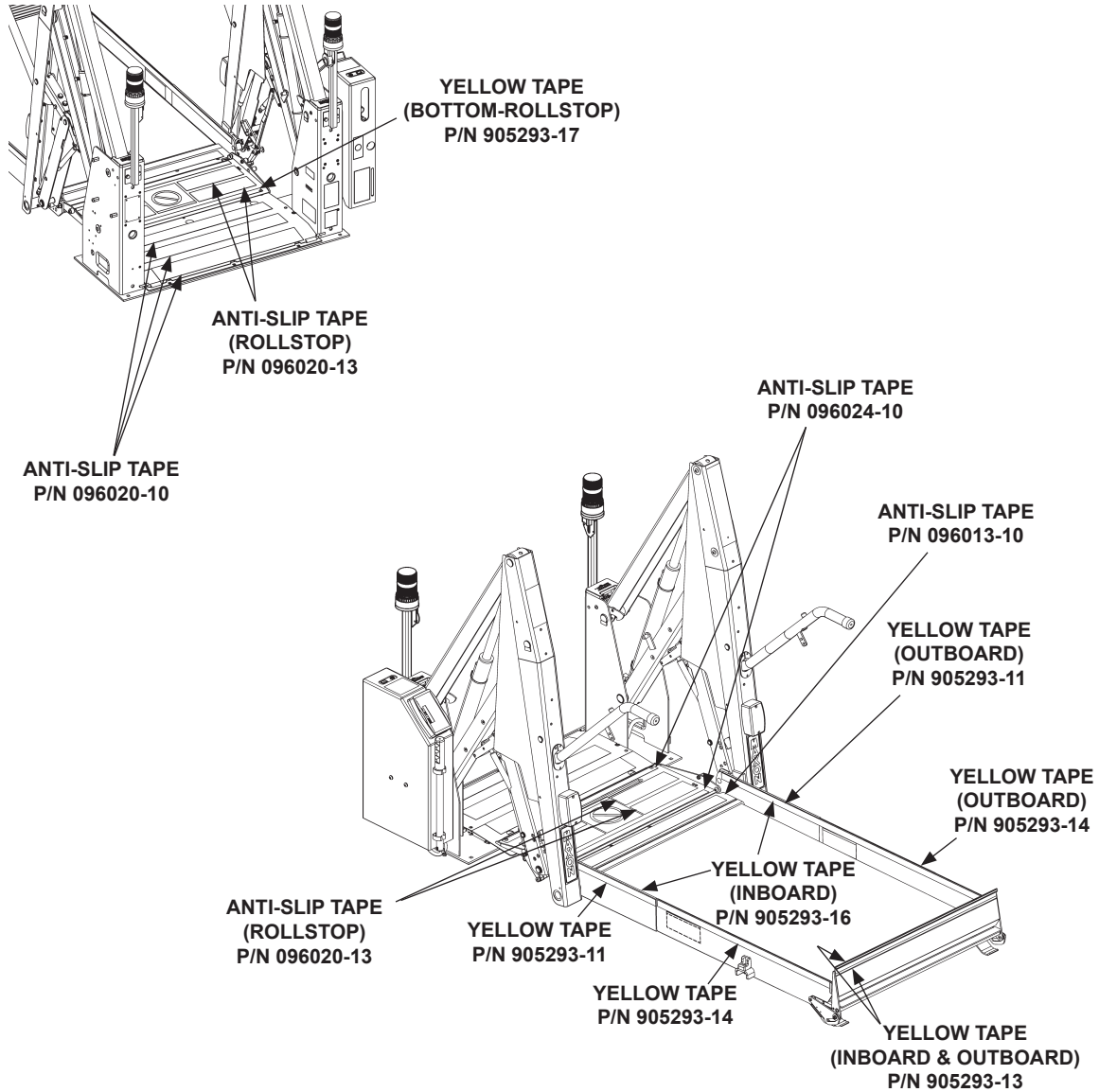


FIG. 20-1

ANTI-SLIP & SAFETY STRIPING - Continued (33" WIDE PLATFORM)

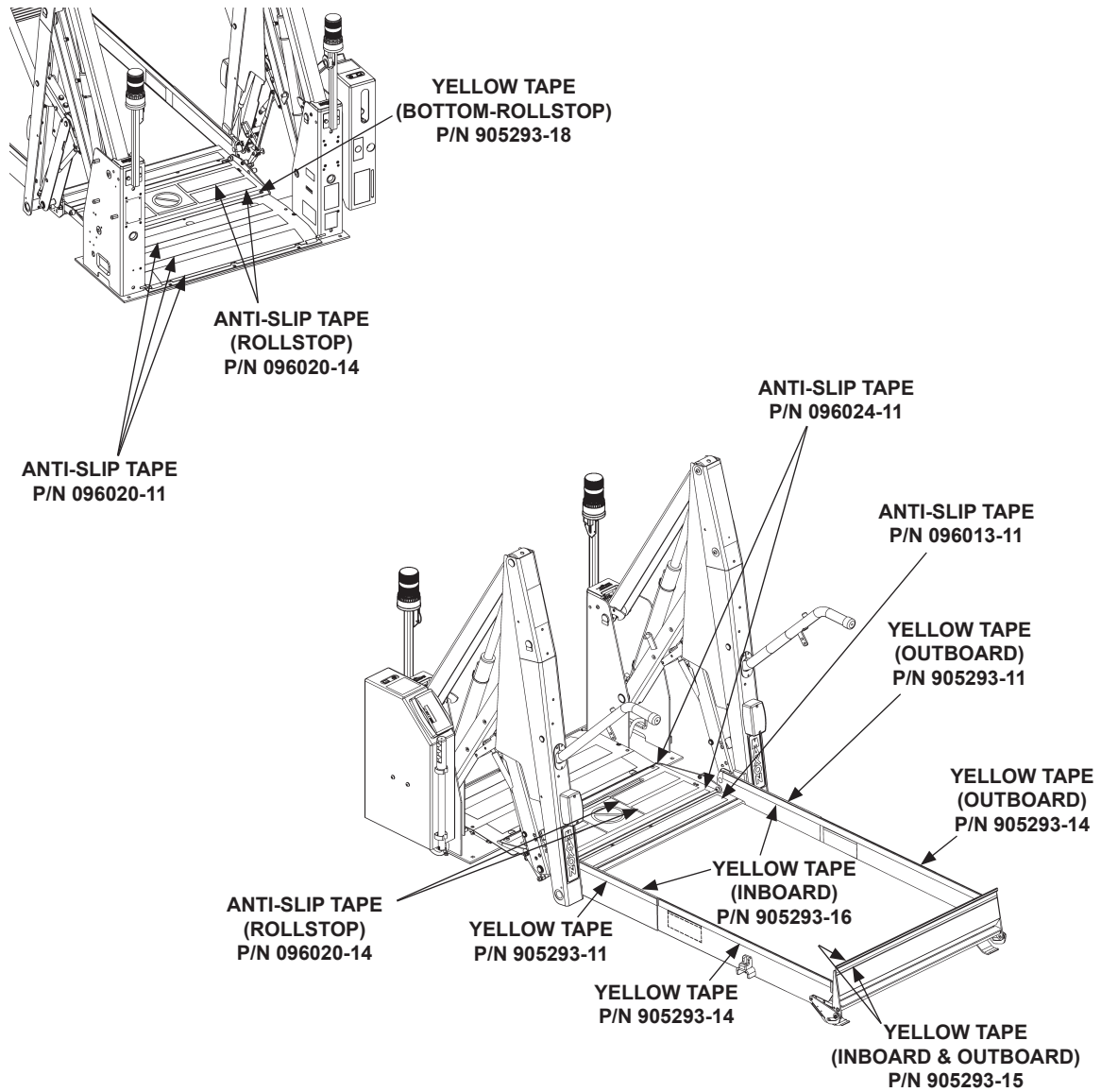


FIG. 21-1

MAXON® 11921 Slauson Ave. Santa Fe Springs, CA. 90670 (800) 227-4116 FAX (888) 771-7713

ANTI-SLIP & SAFETY STRIPING - Continued

(34" WIDE PLATFORM)

MAXON[®]

11921 Slauson Ave. Santa Fe Springs, CA. 90670 (800) 227-4116 FAX (888) 771-7713

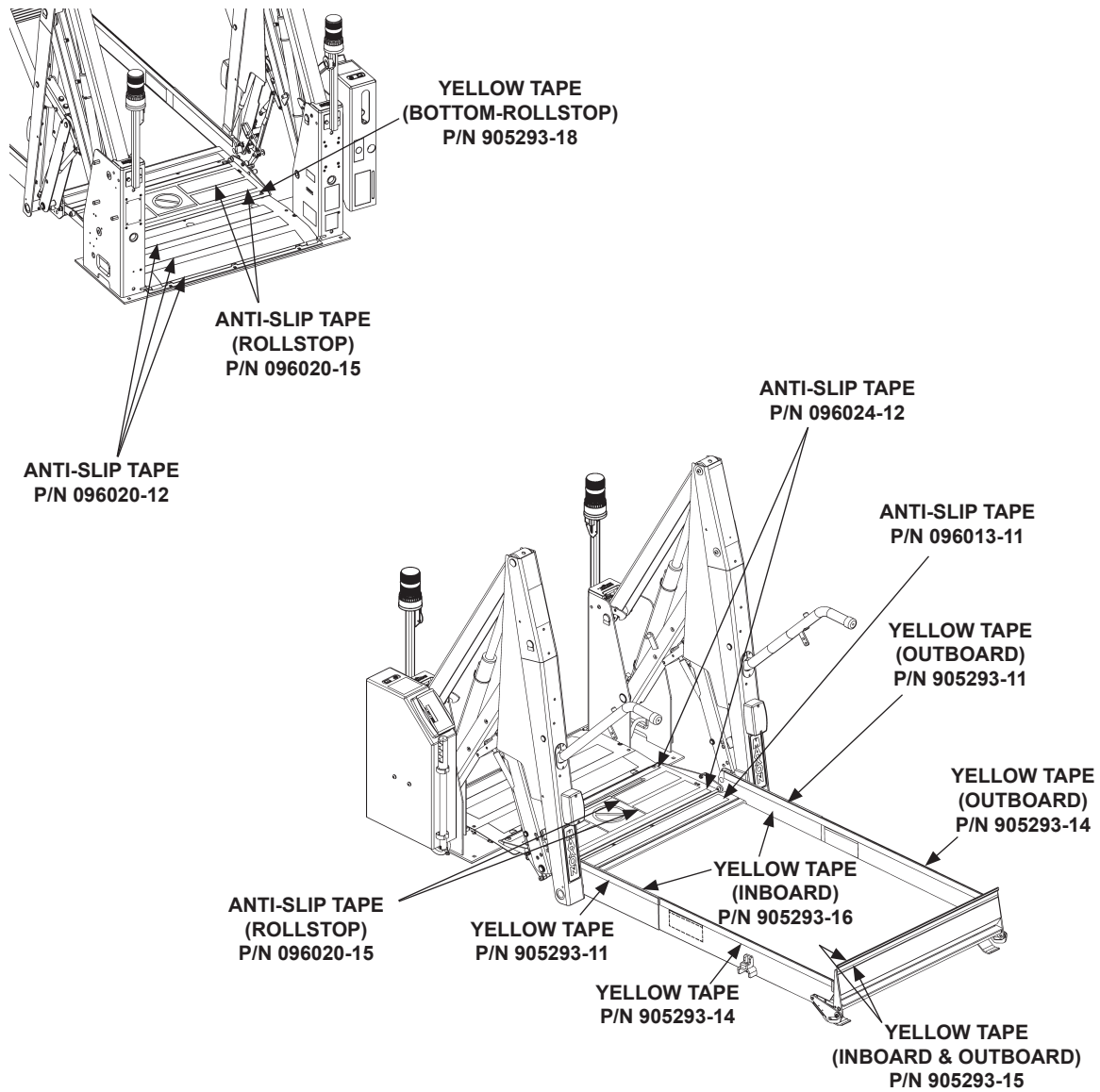


FIG. 22-1

LIFT INSTALLATION

INSTALLATION KITS

An installation kit is required to install Lift on your vehicle. Refer to the instruction sheet, included with the installation kit, for specific instructions to fit the Lift to your vehicle.

PREPARING AND POSITIONING THE LIFT

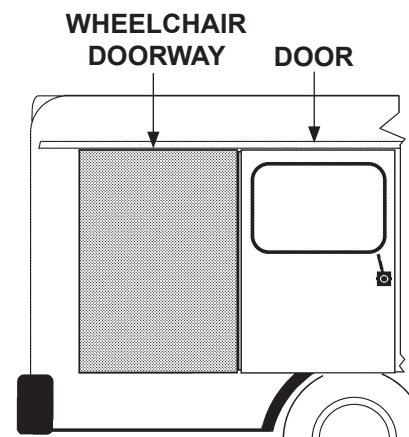
1. Make sure you have the correct model of Lift.

NOTE: Keep shipping straps on Lift until Lift is bolted to vehicle and power is connected.

2. Unpack the Lift and check for damage. Report damage to:

MAXON Lift Corp. - Customer Service
11921 Slauson Ave., Santa Fe Springs, CA 90670
Phone: (800) 227-4116 FAX: (888) 771-7713
E-mail: cservice@maxonlift.com

3. Open the wheelchair door on vehicle (**FIG. 23-1**) in which Lift will be mounted. Secure door wide open.



VEHICLE RH SIDE VIEW
FIG. 23-1

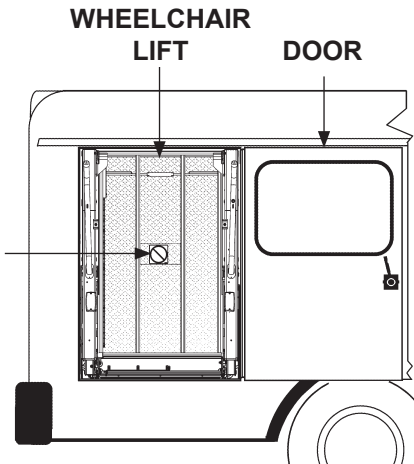
4. Check the clearance dimensions of your vehicle before beginning installation. Refer to **VEHICLE REQUIREMENTS** section in this Installation Manual.

PREPARING AND POSITIONING THE LIFT - Continued

NOTE: You may use a template instead of the Lift for positioning the Lift on vehicle. To use a template, refer to **USING TEMPLATE TO POSITION LIFT** section in this Installation Manual.

5. Using an appropriate lifting device that can safely lift 500 pounds, raise Lift to the wheelchair doorway. Place the Lift inside doorway (**FIG. 24-1**). Align outboard edge of Lift threshold plate parallel with outboard edge of doorway. The decal on the underside of the Lift platform must face outboard (**FIG. 24-1**).
6. Position the Lift according to the clearance dimensions given in **VEHICLE REQUIREMENTS** section in this Installation Manual.
7. Remove lifting device and close wheelchair door. Enter the vehicle. Verify the wheelchair door closes correctly and the minimum clearance is 3/4". If door will not close correctly, reposition the Lift.
8. Secure vehicle door wide open (**FIG. 24-1**).
9. Check under the vehicle floor for possible interference between the Lift base plate mounting bolts and the vehicle underbody. For example, check subframe members, wiring harnesses, cables, and fluid lines.

DECAL (FACES OUTBOARD)



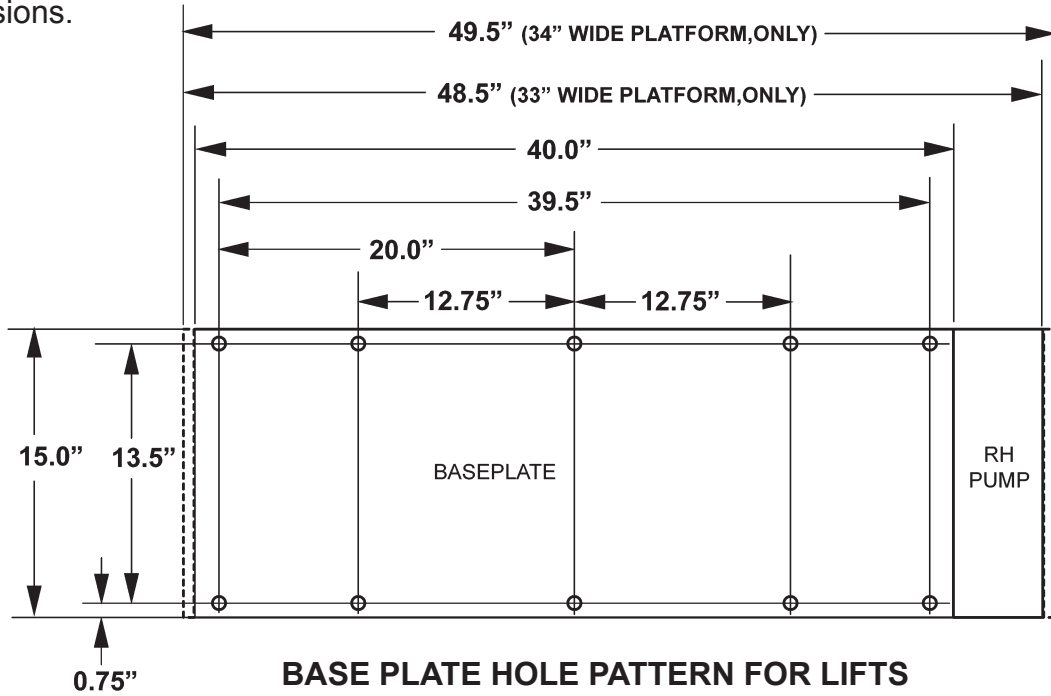
**VEHICLE RH SIDE VIEW
FIG. 24-1**

MAXON[®]

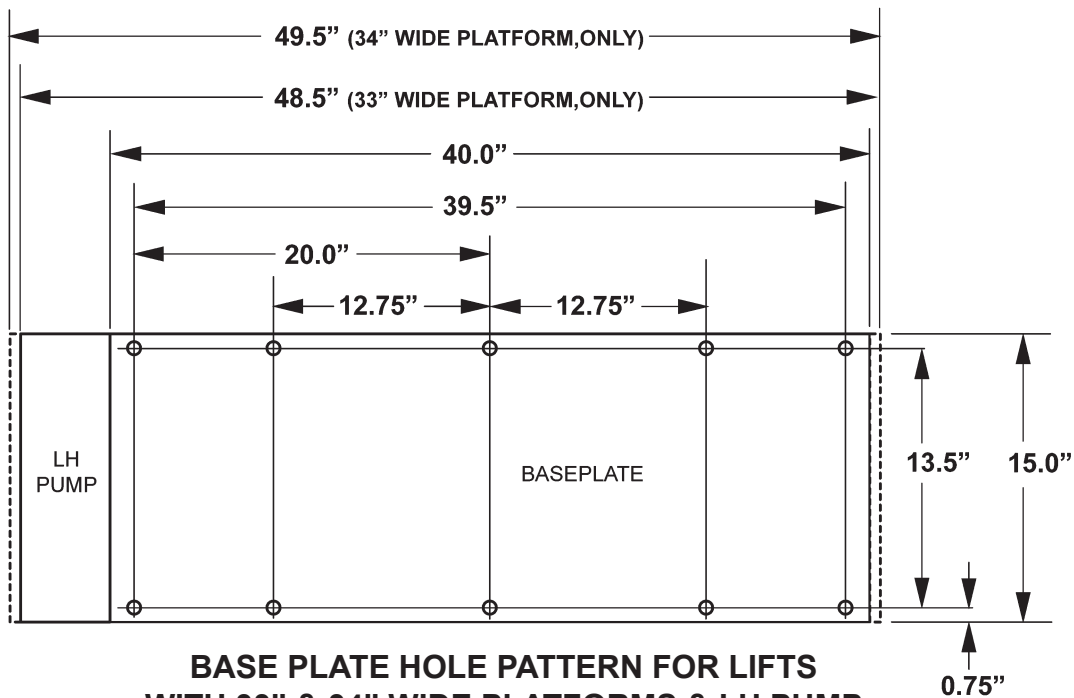
11921 Slauson Ave. Santa Fe Springs, CA. 90670 (800) 227-4116 FAX (888) 771-7713

USING TEMPLATE TO POSITION LIFT

1. Fabricate template for base plate hole pattern according to the dimensions shown in **FIGS. 25-1, 25-2, 26-1 and 26-2**. Use a suitable material that maintains correct shape and dimensions.

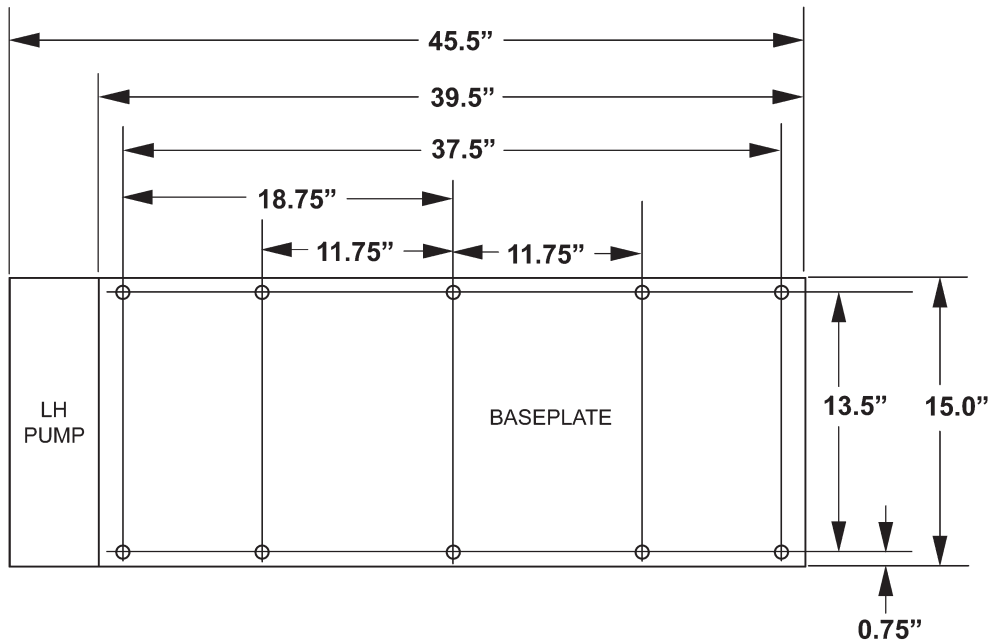


**BASE PLATE HOLE PATTERN FOR LIFTS
WITH 33" & 34" WIDE PLATFORMS & RH PUMP
FIG. 25-1**

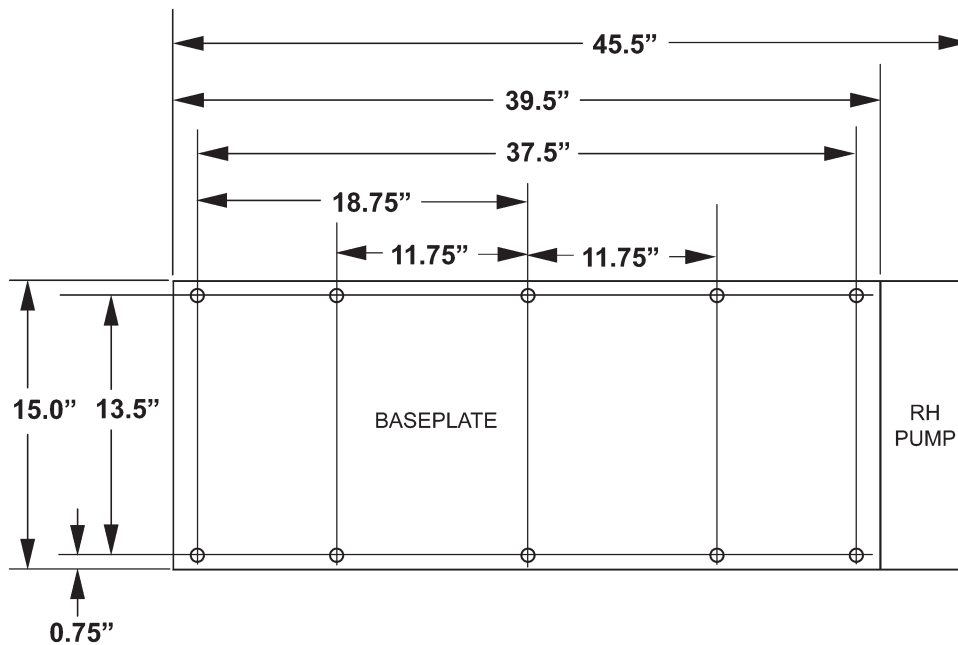


**BASE PLATE HOLE PATTERN FOR LIFTS
WITH 33" & 34" WIDE PLATFORMS & LH PUMP
FIG. 25-2**

USING TEMPLATE TO POSITION LIFT - Continued



**BASE PLATE HOLE PATTERN FOR LIFTS
WITH 30" WIDE PLATFORM & LH PUMP
FIG. 26-1**



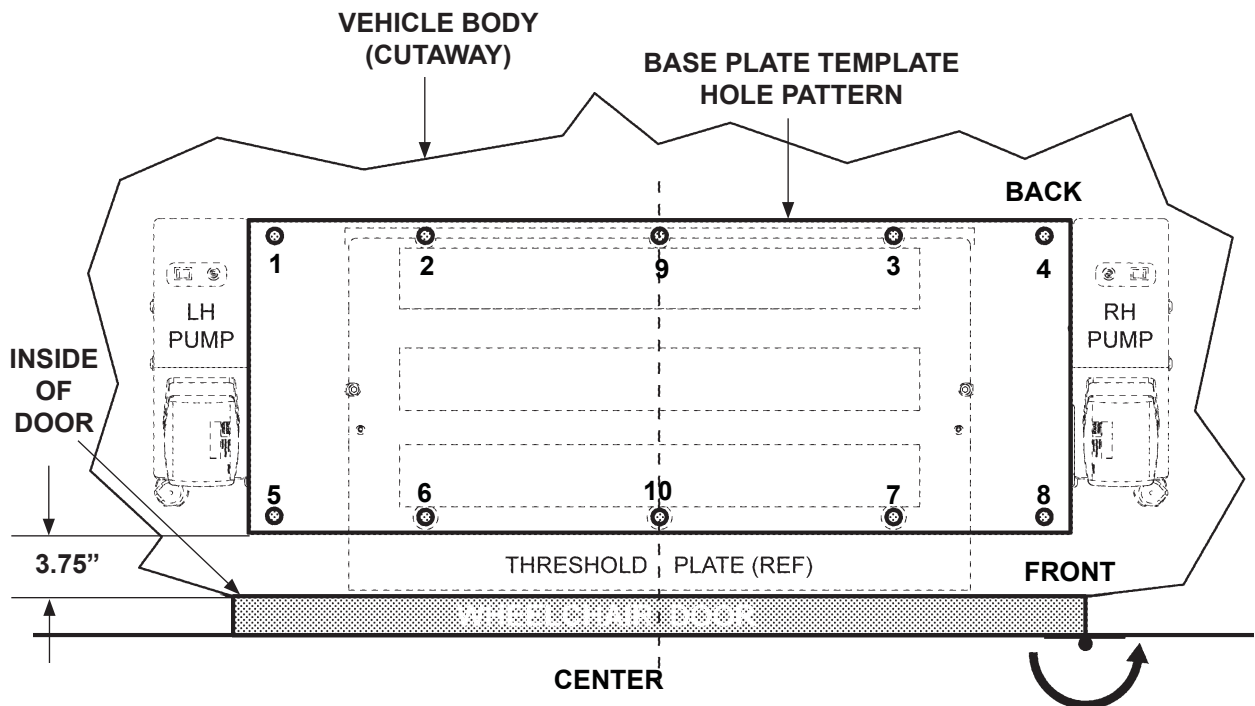
**BASE PLATE HOLE PATTERN FOR LIFTS
WITH 30" WIDE PLATFORM & RH PUMP
FIG. 26-2**

CAUTION

For vehicles with 48" floor height:

If the front edge of Lift base plate is moved more than 3.75" (5" from outside of body, as shown in FIG. 11-1) away from the inside of the wheelchair door, lower Lift arms can hit vehicle body before platform reaches the ground. See the vehicle floor levels plotted in FIG. 11-1 and maintain the clearance for the floor level that applies to your Lift installation.

- Center the template inside wheelchair doorway (FIG. 27-1). Line up the outboard edge of template parallel with inboard edge of doorway. Maintain center and the clearance dimension shown.



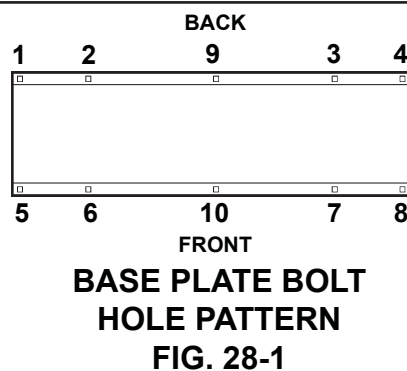
BASE PLATE TEMPLATE CLEARANCE FROM WHEEL-
CHAIR DOOR (TOP VIEW, SIDE DOOR SHOWN)

FIG. 27-1

MOUNTING THE LIFT

NOTE: MAXON recommends using all 10 carriage screws (Kit items) to bolt Lift to vehicle. A minimum of 8 screws or bolts and use of holes 1, 2, 3, 4 & 9 are required for correct installation. Also, the 3 front holes should be selected to give a symmetrical bolt pattern (i.e. holes 5,10, & 8 or holes 6,10, & 7).

1. Use template (**FIG. 27-1**) or the base plate on the Lift (**FIG. 28-1, holes 1-10**) to mark eight (8) to ten (10) 7/16" mounting holes through the vehicle floor. Before drilling holes in the vehicle floor, make sure no wires and fluid lines are too close to hole locations. Drill holes 1, 2, 9, 3, and 4.



NOTE: Vehicle floor must meet the requirements shown at the beginning of the **VEHICLE REQUIREMENTS** section in this Installation Manual.

2. Position Lift so **holes 1-10** in the base plate (**FIG. 28-1**) are aligned with the correct holes drilled in vehicle floor.
3. Temporarily secure Lift to vehicle with two mounting bolts (Kit items), inserted through base plate holes 1 and 4, or holes 2 and 3 (**FIG. 28-1**). Use two lock nuts and correct under-vehicle supports (Kit items) to secure the Lift. Use instructions supplied with vehicle installation kit to select the correct bolts, nuts and supports. Alternately, tighten the two bolts and nuts to **20 to 30 LBS.-FT.**

MAXON

11921 Slauson Ave. Santa Fe Springs, CA. 90670 (800) 227-4116 FAX (888) 771-7713

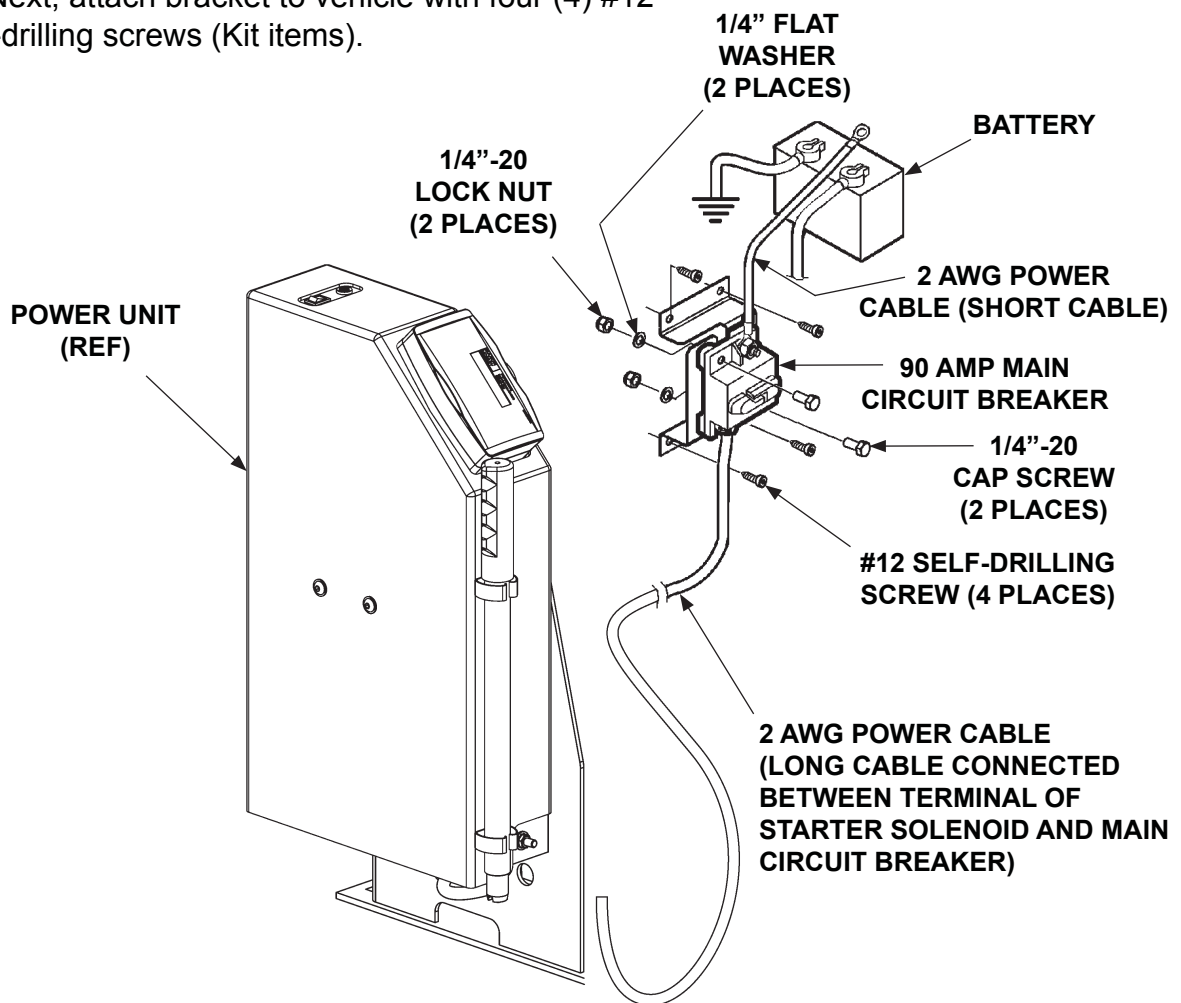
INSTALL MAIN CIRCUIT BREAKER

WARNING

To prevent personal injury and equipment damage, make sure power is disconnected from Lift when installing electrical parts.

NOTE: Apply dielectric grease on all electrical connections after all electrical cables are connected.

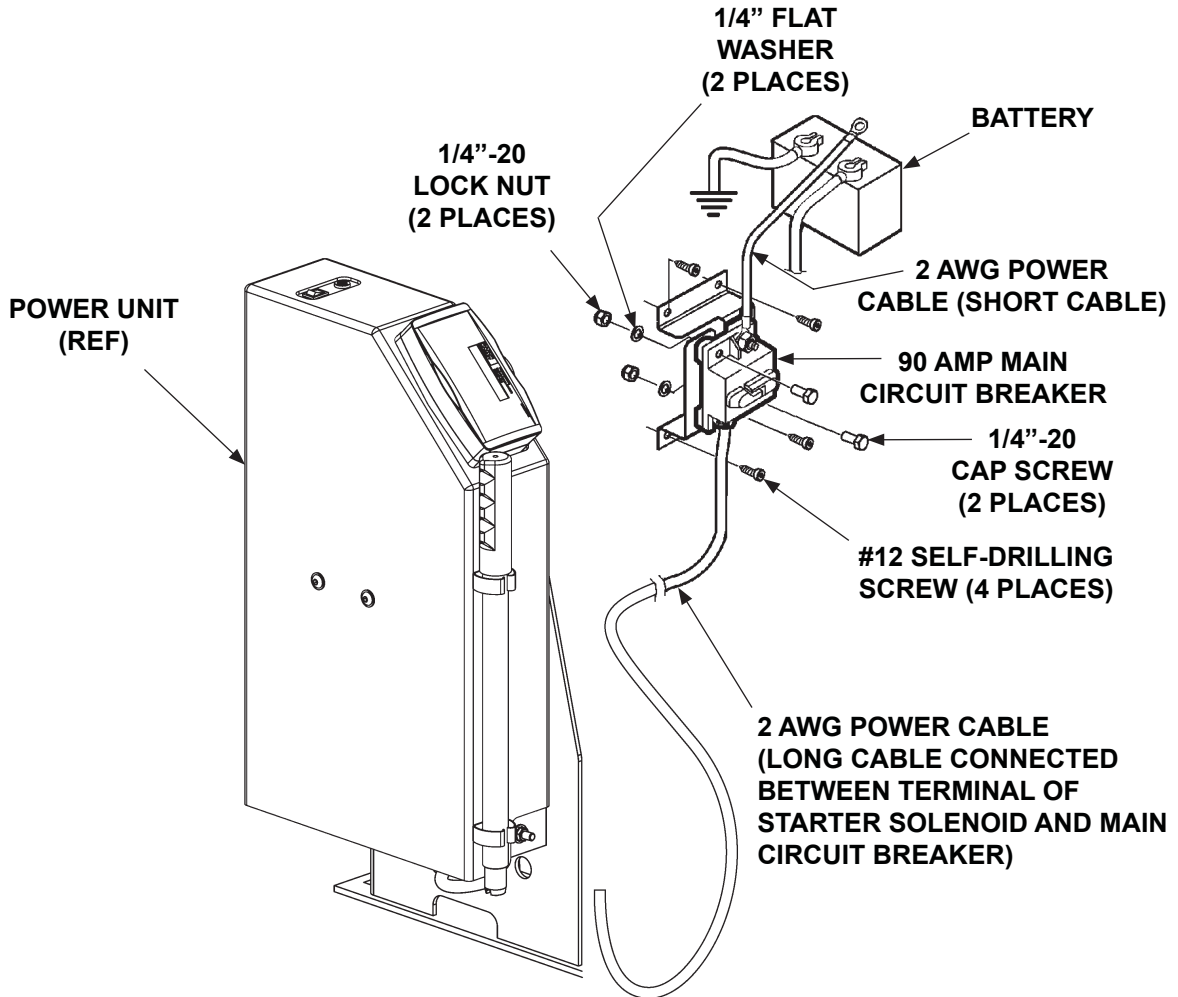
1. Attach 90 amp main circuit breaker (Kit item) to vehicle so power cable (Kit item) is within reach of the battery, as follows. Find a place to attach bracket (**FIG. 29-1**). (Note: The power cable must be able to reach between 90 amp circuit breaker and (+) battery terminal without straining the connections.) Attach 90 amp circuit breaker to bracket. Next, attach bracket to vehicle with four (4) #12 self-drilling screws (Kit items).



MAIN CIRCUIT BREAKER & CABLING
FIG. 29-1

INSTALL MAIN CIRCUIT BREAKER - Continued

2. Connect one end of power cable to 90 amp main circuit breaker (**FIG. 30-1**). Do not connect battery end until instructed to connect the battery.



MAIN CIRCUIT BREAKER & CABLING
FIG. 30-1

3. Lastly, connect one end of long power cable to 90 amp main circuit breaker (**FIG. 30-1**).

MAXON[®]

11921 Slauson Ave. Santa Fe Springs, CA. 90670 (800) 227-4116 FAX (888) 771-7713

ROUTE/CONNECT CABLES & HAND PENDANT

⚠ CAUTION

Never route an energized wire. Make sure the battery is disconnected. Always route electrical wire clear of any moving parts, brake lines, sharp edges, and exhaust systems. Never route power cable next to a wiring harness on the vehicle. Do not loop excess cable. Cut the cable to fit and leave slack. Attach securely. If drilling is necessary, be sure to check underside of vehicle before drilling so you do not damage any fuel lines, vent lines, brake lines or wires. When routing electrical wire through a hole in vehicle floor, use supplied grommet to protect wires from chafing.

1. Locate and drill a 1-5/16" hole through the vehicle floor (**FIG. 31-1**). Drill the hole in a location that will be hidden by the pump cover and that will allow power cable to be routed to power input bracket (**FIG. 31-1**). Since the interlock system wiring from the Lift also branches out in that area, locate the hole so the 3-conductor Interlock system cable can be routed from the Lift through the vehicle floor to the vehicle safety interlock. Install the plastic grommet (**FIG. 31-1**) on the vehicle floor with 2 of the #12 self-drilling screws.

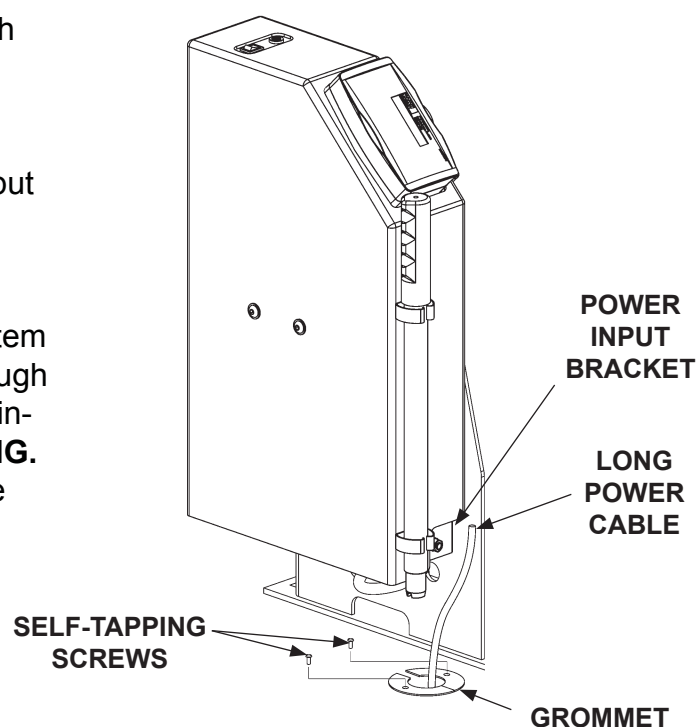
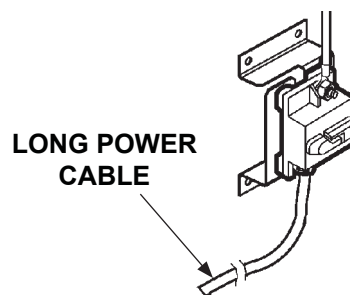


FIG. 31-1

2. Route the long power cable (Kit item) from main circuit breaker (**FIG. 31-2**), underneath vehicle floor to power input bracket (**FIG. 31-1**).



**90 AMP MAIN
CIRCUIT BREAKER
FIG. 31-2**

3. Secure power cable every 8"-10".

ROUTE/CONNECT CABLES & HAND PENDANT - Continued

4. Cut any excess wire from long power cable. Strip 1/2" insulation from the cut end and install 2 GA terminal lug and shrink tubing. Next, insert the power cable through the protective cover (FIG. 32-1). Connect the cable terminal to the terminal stud on the power input bracket as shown in FIG. 32-1. Position the protective cover over the power cable connection (FIG. 32-1).

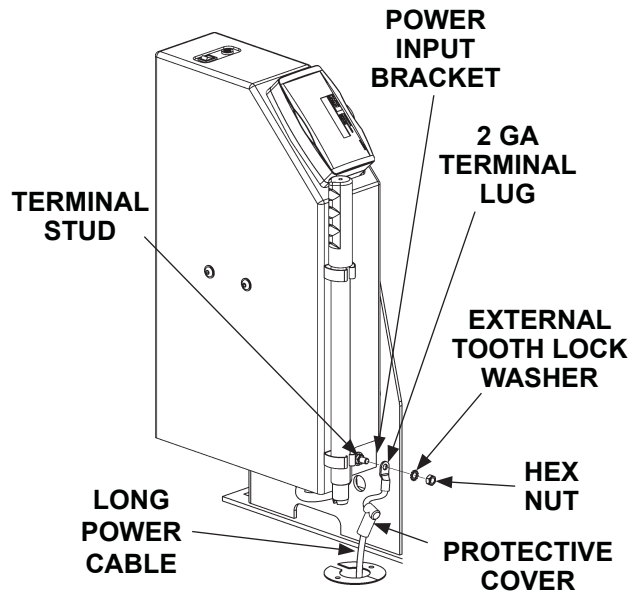


FIG. 32-1

5. Route the interlock cable from safety interlock system on the vehicle, underneath vehicle floor and through the grommet, and up to the Lift (FIG. 32-2). If possible, use the same cable routing as the long power cable installed in previous steps. Secure the interlock cable every 8"-10".
6. Make sure interlock cable will reach the white-red stripe wire (interlock signal from vehicle) and the brown wire (interlock signal to vehicle) on the Lift (FIG. 32-2). Signal may be ground or V+. Connect the interlock wires from the vehicle interlock system to the white-red stripe wire and brown wire on the Lift (FIG. 32-2).

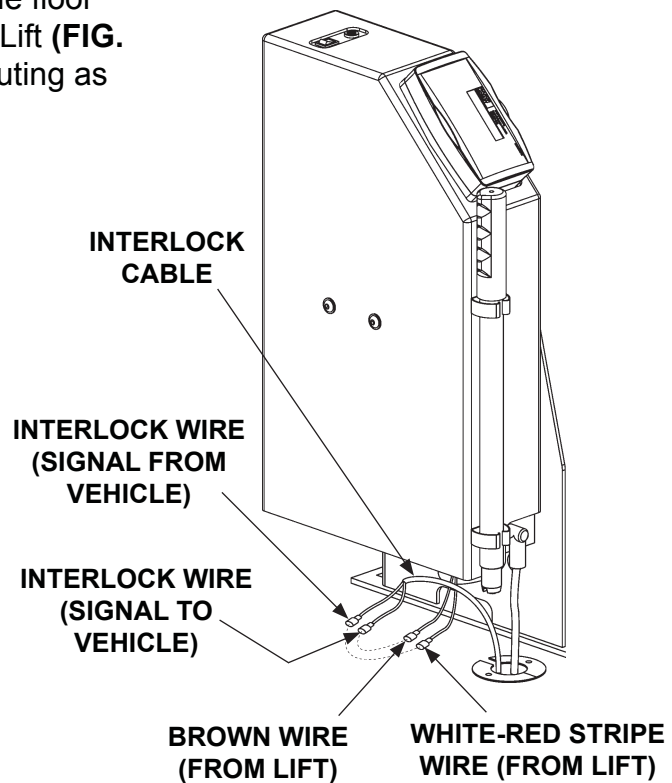
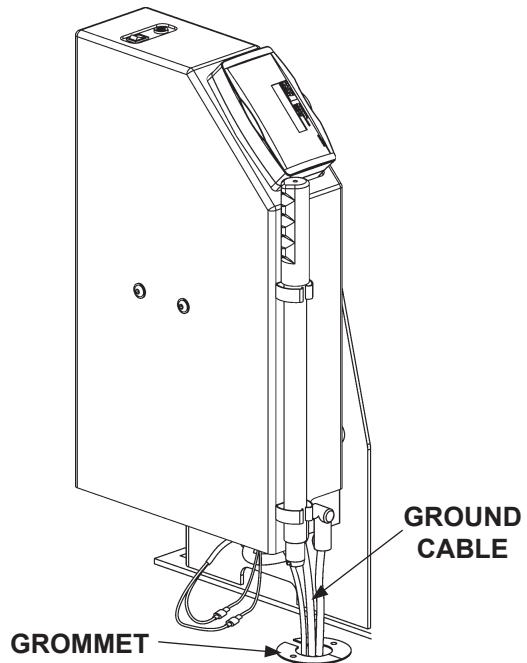


FIG. 32-2

MAXON

11921 Slauson Ave. Santa Fe Springs, CA. 90670 (800) 227-4116 FAX (888) 771-7713

- Uncoil the ground cable from the bottom of the pump cover. Route the ground cable on the Lift through grommet in vehicle floor (FIG. 33-1A & 33-1B).



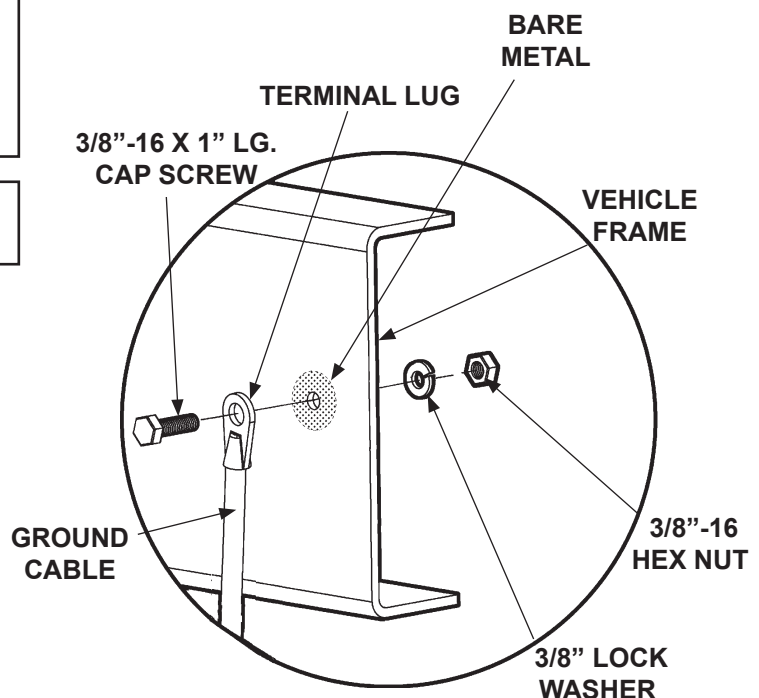
**GROUND CABLE ROUTED FROM LIFT
FIG. 33-1A**

NOTE: Clean the ground cable connection point on the frame down to bare metal.

NOTE: If there is a grounding point on the frame, use it to connect ground cable. Skip step 8.

NOTE: Apply dielectric grease to all electrical connections.

- Extend the ground cable to reach vehicle frame (FIG. 33-2). Connect to an existing grounding point if available. If necessary, drill a 13/32" (0.406") hole in vehicle frame for bolting the ground cable terminal lug (FIG. 33-2).



**BOLTING GROUND CABLE
TO VEHICLE FRAME
FIG. 33-2**

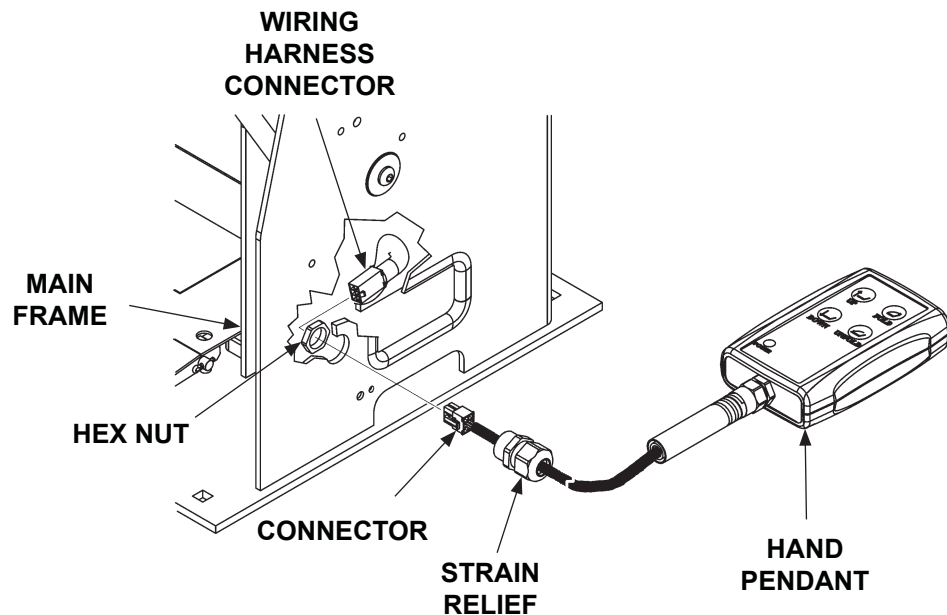
- Bolt the ground cable terminal lug to vehicle frame as shown in FIG. 33-2.

ROUTE/CONNECT CABLES & HAND PENDANT - Continued

! CAUTION

To prevent vehicle access door from pinching and damaging the hand pendant cable, secure cable away from the door frame. Also, be sure that the hand pendant cable does not interfere with or bind against moving parts.

10. Connect the hand pendant cable as follows. Feed the cable through the hole located in the main frame (**FIG. 34-1**). Secure cable strain relief to main frame with plastic nut (**FIG. 34-1**). Next, connect hand pendant connector to wiring harness (**FIG. 34-1**).



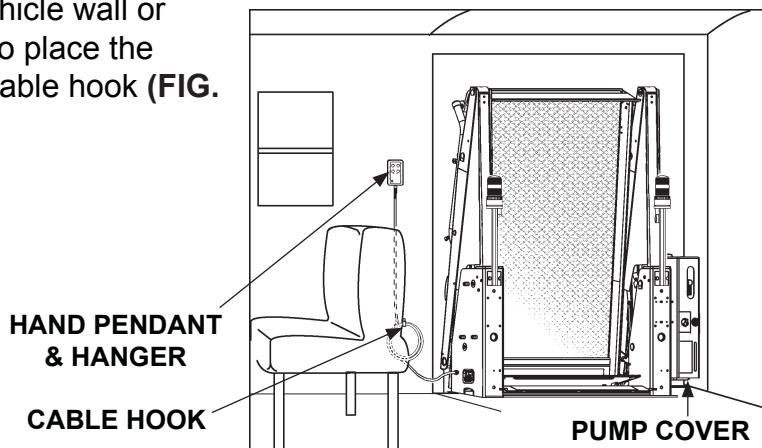
**CONNECTING HAND PENDANT CABLE
(RH SIDE CONNECTION SHOWN)**

FIG. 34-1

MAXON

11921 Slauson Ave. Santa Fe Springs, CA. 90670 (800) 227-4116 FAX (888) 771-7713

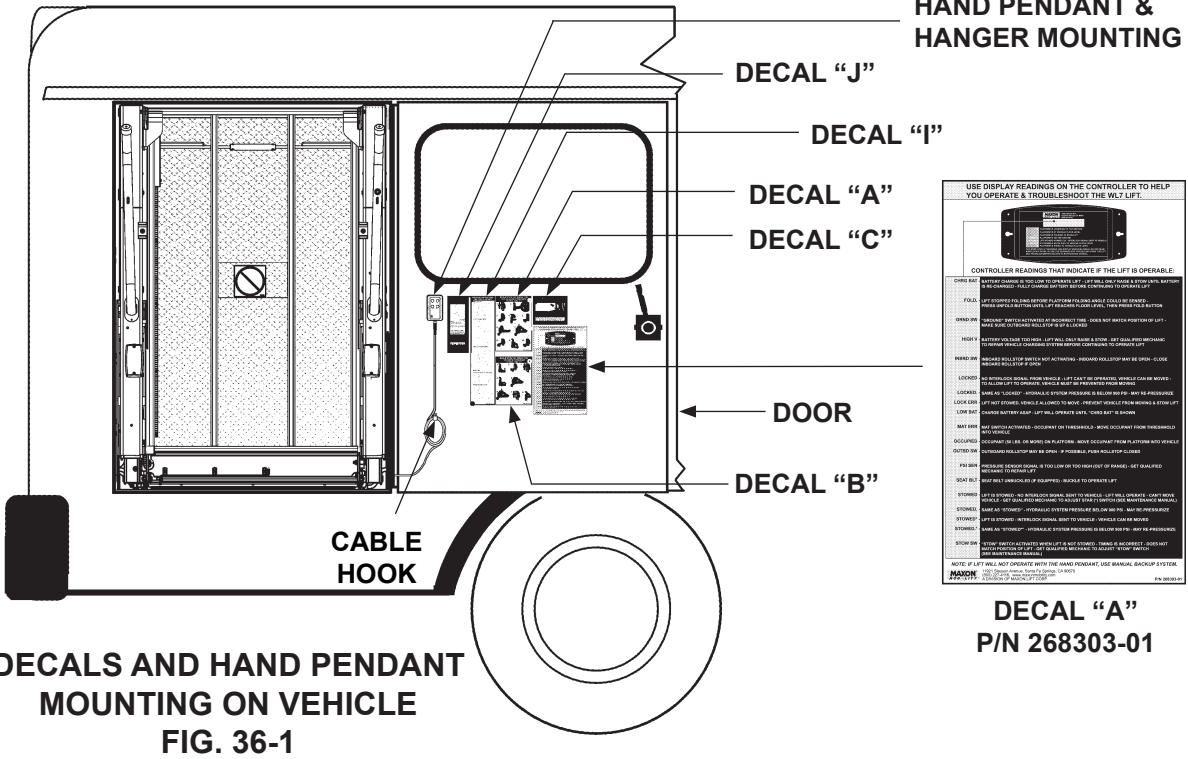
11. Find accessible place on vehicle wall or wheelchair door (near Lift) to place the hand pendant hanger and cable hook (FIG. 35-1).



**TYPICAL LOCATION (INSIDE VEHICLE)
FOR STOWING HAND PENDANT
FIG. 35-1**

ROUTE/CONNECT CABLES & HAND PENDANT - Continued

12. Place decals (from Parts Box) on the vehicle, near the hand pendant (typical placement shown in FIG. 36-1). Make sure decals are visible to operator when Lift is being operated.



USE DISPLAY READINGS ON THE CONTROLLER TO HELP YOU OPERATE & TROUBLESHOOT THE WL7 LIFT.

CONTROLLER READINGS THAT INDICATE IF THE LIFT IS OPERABLE

- 0000:000: BATTERY CHARGE IS TOO LOW TO OPERATE LIFT. LIFT WILL ONLY RAISE & LOWER UNTIL BATTERY IS RECHARGED. FULL CHARGE LIFT WILL PERFORM COMPLETE CYCLE.
- 0000:001: LIFT DOWN OR FOLD OFFER PLATFORM FOLDING AND/OR COLLAPSE IS STOPPED. PROCEED WITH RETURNING LIFT TO NORMAL OPERATING POSITION.
- 0000:002: UNFOLD/ FOLDING PLATFORM IS STOPPED. CHECK FOR BATTERY POSITION OF LIFT. MAKE SURE PLATFORM IS FULLY EXTENDED.
- 0000:003: BATTERY VOLTAGE TOO HIGH. LIFT WILL ONLY RAISE & LOWER. LIFT WILL PERFORMING TO NORMAL VEHICLE CHARGES. IF THE BATTERY CONTINUES TO CHARGE LIFT WILL ONLY LOWER & FOLD.
- 0000:004: BATTERY VOLTAGE NOT AT NORMAL. PROCEED TO PLATFORM AND BE SURE CLOSE BEHIND BATTERY IS OPEN.
- 0000:005: ALL HYDRAULIC OILS FROM WHEELS & LIFT MUST BE OPERATED. WHEELS MUST HAVE SUFFICIENT OIL TO OPERATE. CHECK OIL LEVELS PERMANENTLY.
- 0000:006: LIFT DOWN OR FOLDING - HYDRAULIC SYSTEM PRESSURE IS BELOW 200 PSI. WAIT 10 SECONDS.
- 0000:007: LIFT DOWN OR FOLDING - HYDRAULIC SYSTEM PRESSURE IS BELOW 200 PSI. WAIT 10 SECONDS.
- 0000:008: BATTERY VOLTAGE LOW. LIFT WILL OPERATE UNTIL "LOW BATT" IS SHOWN.
- 0000:009: BATT ONLY ACTIVATED. OCCURRING ON THRESHOLD. BATTERY OCCURRING FROM THRESHOLD. WAIT 10 SECONDS.
- 0000:010: OCCURRING (I.E. ON WHEELS OR PLATFORM) AND OCCURRING FROM PLATFORM AND WHEELS.
- 0000:011: OCCURRING FROM WHEELS OR PLATFORM. POSSIBLY FROM OIL LEAKS.
- 0000:012: PRESSURE SENSOR SIGNAL IS TOO LOW OR TOO HIGH FOR RANGE. SET QUALIFIED SERVICE TECHNICIAN.
- 0000:013: SEAT BELT UNFASTENED IF EQUIPPED. BUZZLE TO OPERATE LIFT.
- 0000:014: LIFT DOWNING. NO SIGNALS FROM WHEELS & LIFT. LIFT WILL OPERATE. WAIT 10 SECONDS.
- 0000:015: LIFT DOWNING. RETENTION SIGNAL FROM WHEELS & LIFT. WAIT 10 SECONDS.
- 0000:016: LIFT DOWNING. RETENTION SIGNAL FROM WHEELS & LIFT. WAIT 10 SECONDS.
- 0000:017: LIFT DOWNING. RETENTION SIGNAL FROM WHEELS & LIFT. WAIT 10 SECONDS.
- 0000:018: LIFT DOWNING. RETENTION SIGNAL FROM WHEELS & LIFT. WAIT 10 SECONDS.
- 0000:019: LIFT DOWNING. RETENTION SIGNAL FROM WHEELS & LIFT. WAIT 10 SECONDS.
- 0000:020: LIFT DOWNING. RETENTION SIGNAL FROM WHEELS & LIFT. WAIT 10 SECONDS.

NOTE: IF LIFT WILL NOT OPERATE WITH THE HAND PENDANT, USE MANUAL BACKUP SYSTEM.

MAXON
11921 SLAUSON AVE. SANTA FE SPRINGS, CA 90670
TEL: (800) 227-4116 FAX: (888) 771-7713
P/N 268303-01

DECALS AND HAND PENDANT MOUNTING ON VEHICLE
FIG. 36-1

BACKUP OPERATING INSTRUCTIONS FOR UNLOADING PASSENGERS DOT-PUBLIC USE LIFT

- PUMP TO PRESSURIZE
- RAISE LH & RH LATCHES
- 1/4-1/2 TURN OPEN VALVE
- UNFOLD
- TIGHTEN CLOSE VALVE
- LOAD OCCUPANT
- 1/4-1/2 TURN OPEN VALVE
- LOWER & UNLOAD OCCUPANT
- TIGHTEN CLOSE VALVE

WARNING

THIS WHEELCHAIR LIFT MUST BE OPERATED BY AN ATTENDANT. DO NOT ATTEMPT TO RIDE LIFT WITHOUT THE ASSISTANCE OF AN ATTENDANT. IMPROPER OPERATION OF THIS LIFT CAN RESULT IN SERIOUS PERSONAL INJURY. YOU DO NOT OPERATE UNLESS YOU HAVE BEEN PROPERLY INSTRUCTED AND HAVE READ AND ARE FAMILIAR WITH THE OPERATING INSTRUCTIONS AND SAFETY SUMMARY CONTAINED IN THE OPERATOR'S MANUAL. IF YOU DO NOT HAVE A COPY OF THE OPERATOR'S MANUAL, ADDITIONAL COPIES ARE AVAILABLE FROM:

MAXON LIFT CORP.
11921 SLAUSON AVE.
SANTA FE SPRINGS, CA 90670
(800) 227-4116
WWW.MAXONMOBILITY.COM

DO NOT EXCEED RATED LOAD CAPACITY OF LIFT WHICH IS:

800 lbs. (364 kg)

BACKUP OPERATING INSTRUCTIONS FOR LOADING PASSENGERS DOT-PUBLIC USE LIFT

- LOAD OCCUPANT
- TIGHTEN CLOSE VALVE
- PUMP
- RAISE & UNLOAD OCCUPANT
- PUMP
- STOW

CAUTION

THRESHOLD PLATE

Prevent injury & damage to lift. Make sure Rollstop rests on top of Threshold Plate before loading & unloading passengers. Raise or Lower Platform until Rollstop rests correctly on Threshold Plate.

OPERATING INSTRUCTIONS DOT-PUBLIC USE LIFT

UNFOLD LIFT:

- FULLY OPEN AND SECURE WHEELCHAIR DOORS.
- MAKE SURE SEAT BELT IS FASTENED IF EQUIPPED.
- PUSH FOLD SWITCH FOR 1-2 SECONDS.
- PUSH UNFOLD SWITCH TO UNFOLD PLATFORM TO VEHICLE FLOOR LEVEL.

LOAD PASSENGERS:

- PUSH DOWN SWITCH TO LOWER PLATFORM TO GROUND LEVEL.
- UNFASTEN SEAT BELT IF EQUIPPED.
- POSITION WHEELCHAIR IN THE CENTER OF PLATFORM AND LOCK WHEELCHAIR BRAKES.
- FASTEN SEAT BELT IF EQUIPPED.
- PUSH UP SWITCH TO RAISE PLATFORM TO VEHICLE FLOOR LEVEL.
- RELEASE WHEELCHAIR BRAKES.
- LOAD WHEELCHAIR IN VEHICLE.

UNLOAD PASSENGERS:

- POSITION WHEELCHAIR IN THE CENTER OF PLATFORM AND LOCK WHEELCHAIR BRAKES.
- MAKE SURE SEAT BELT IS FASTENED IF EQUIPPED.
- PUSH DOWN SWITCH TO LOWER PLATFORM TO GROUND LEVEL.
- UNFASTEN SEAT BELT IF EQUIPPED.
- RELEASE WHEELCHAIR BRAKES.
- UNLOAD WHEELCHAIR FROM PLATFORM.

STOW LIFT:

FROM VEHICLE FLOOR LEVEL:

- MAKE SURE PLATFORM IS EMPTY AND SEAT BELT IS FASTENED IF EQUIPPED.
- PUSH FOLD SWITCH UNTIL PLATFORM FOLDS COMPLETELY UNDER HYDRAULIC PRESSURE.

FROM GROUND LEVEL:

- MAKE SURE PLATFORM IS EMPTY AND SEAT BELT IS FASTENED IF EQUIPPED.
- PUSH UP SWITCH TO RAISE PLATFORM TO VEHICLE FLOOR LEVEL.
- PUSH FOLD SWITCH UNTIL PLATFORM FOLDS COMPLETELY UNDER HYDRAULIC PRESSURE.

WARNING

THIS WHEELCHAIR LIFT MUST BE OPERATED BY AN ATTENDANT. DO NOT ATTEMPT TO RIDE LIFT WITHOUT THE ASSISTANCE OF AN ATTENDANT. IMPROPER OPERATION OF THIS LIFT CAN RESULT IN SERIOUS PERSONAL INJURY. YOU DO NOT OPERATE UNLESS YOU HAVE BEEN PROPERLY INSTRUCTED AND HAVE READ AND ARE FAMILIAR WITH THE OPERATING INSTRUCTIONS AND SAFETY SUMMARY CONTAINED IN THE OPERATOR'S MANUAL. IF YOU DO NOT HAVE A COPY OF THE OPERATOR'S MANUAL, ADDITIONAL COPIES ARE AVAILABLE FROM:

MAXON LIFT CORP.
11921 SLAUSON AVE.
SANTA FE SPRINGS, CA 90670
(800) 227-4116
WWW.MAXONMOBILITY.COM

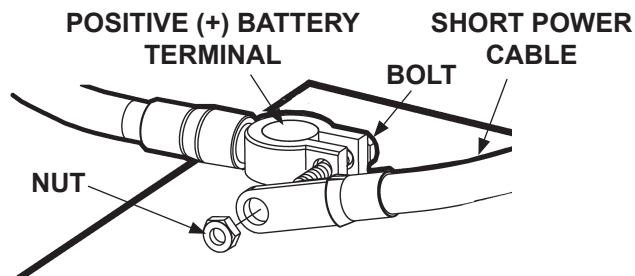
DO NOT EXCEED RATED LOAD CAPACITY OF LIFT WHICH IS:

1000 lbs. (453 kg)

DECAL SET FOR WL7-vers.C
P/N 267620-02
FIG. 36-2

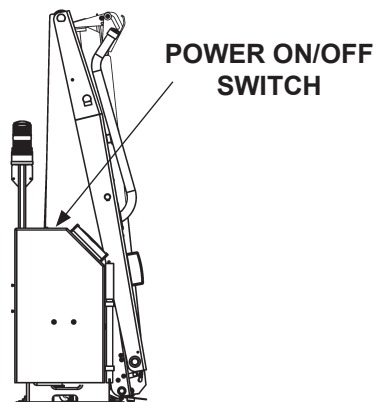
DECAL SET FOR WL7-vers.C-1K
P/N 267620-04
FIG. 36-3

13. Connect short power cable to vehicle battery as follows. Remove nut from positive (+) battery terminal connector (**FIG. 37-1**). Connect the power cable. Reinstall nut.

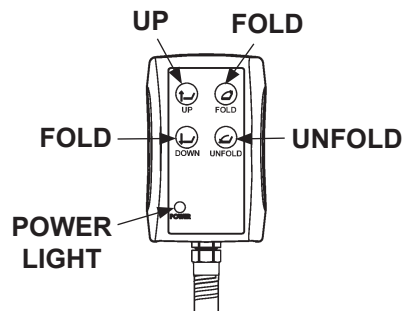


CONNECTING POWER TO LIFT (TYPICAL)
FIG. 37-1

14. Turn **ON** power ON/OFF switch on pump cover to power the Lift (**FIG. 37-2**). The **POWER** light on hand pendant should be illuminated (**FIG. 37-3**). Briefly press the **FOLD** button on hand pendant (**FIG. 37-3**) to pressurize hydraulic system. Then, remove remaining shipping straps.



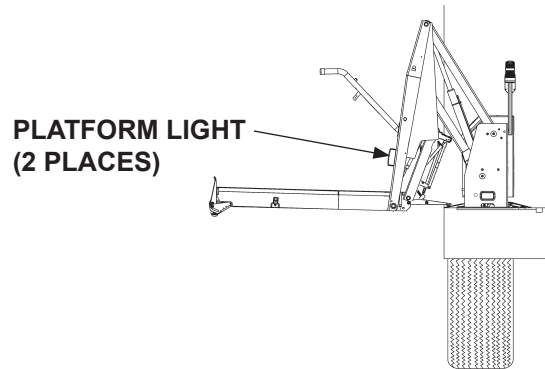
STOWED LIFT - LH SIDE SHOWN
FIG. 37-2



HAND PENDANT
FIG. 37-3

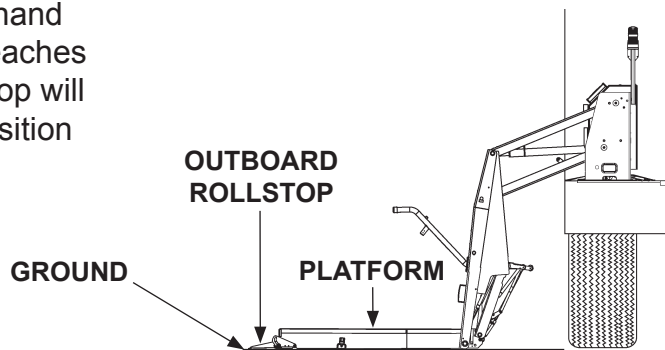
ROUTE/CONNECT CABLES & HAND PENDANT - Continued

15. Press the **UNFOLD** button on hand pendant to unfold Lift (**FIG. 38-1**). Platform lights will turn on when platform is at floor level.



**LIFT AT FLOOR LEVEL
FIG. 38-1**

16. Next, press **DOWN** button on hand pendant. When the platform reaches the ground, the outboard rollstop will automatically open to ramp position (**FIG. 38-2**).



**PLATFORM LOWERED TO
GROUND LEVEL
FIG. 38-2**

17. Install the remaining bolts, lock nuts, and under-vehicle supports supplied with your installation kit. Use the instruction sheet (Kit item) for information to install the remaining Kit items correctly.

NOTE: Lift installation is not complete until all the instructions in this manual, your installation kit instructions, and the checks and adjustments that follow (in this manual) are completed.

MAXON[®]

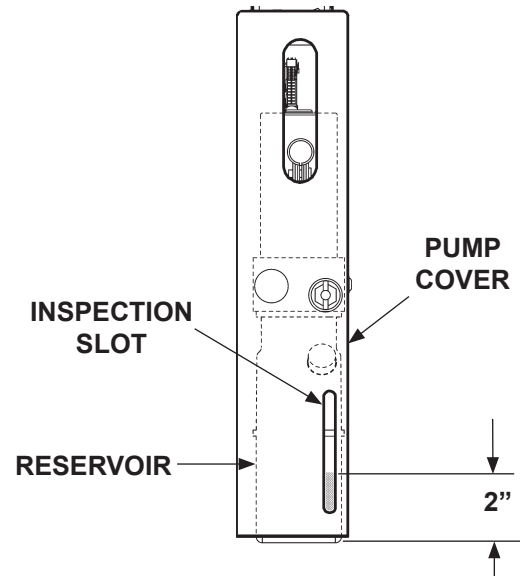
11921 Slauson Ave. Santa Fe Springs, CA. 90670 (800) 227-4116 FAX (888) 771-7713

CHECKING HYDRAULIC FLUID LEVEL

CAUTION

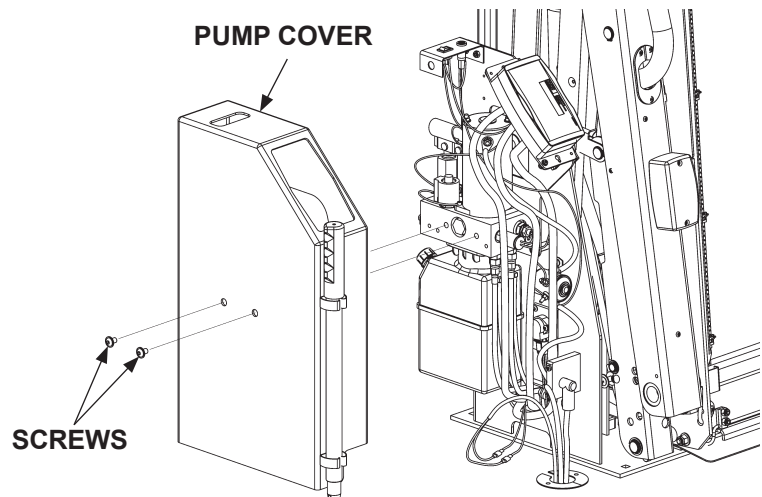
Keep dirt, water and other contaminants from entering the hydraulic system. Before opening the hydraulic fluid reservoir filler cap, drain plug and hydraulic lines, wipe off contaminants that can get in the openings. Also, protect the openings from accidental contamination.

1. Check the hydraulic fluid level in reservoir as follows. With Lift in **STOWED** position, fluid level should be as shown in **FIG. 39-1**.



**HYDRAULIC FLUID LEVEL
(LH PUMP SHOWN)
FIG. 39-1**

2. If needed, add fluid to the reservoir as follows. Unbolt the pump cover as shown in **FIG. 39-2**.



**UNBOLTING/BOLTING PUMP COVER
(LH PUMP SHOWN)
FIG. 39-2**

CHECKING HYDRAULIC FLUID LEVEL - Continued

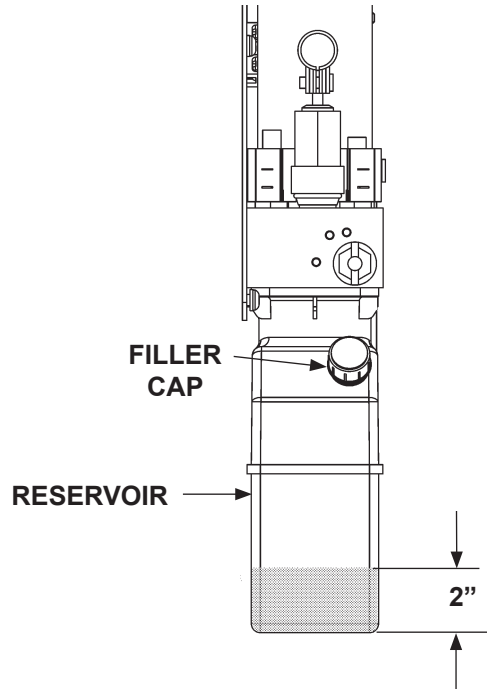
3. Pull out filler cap (**FIG. 40-1**). Fill the reservoir with hydraulic fluid (**TABLE 40-1**) to level shown in **FIG. 40-1**. Reinstall filler cap (**FIG. 40-1**).

RECOMMENDED HYDRAULIC FLUID	
BRAND	PART NUMBER
ROSEMEAD	THS FLUID 17111
EXXON	UNIVIS HVI 26

TABLE 40-1

NOTE: If the expected seasonal temperatures are below 20°F, use MIL-H-5606G hydraulic fluid.

4. Bolt on the pump cover as shown in **FIG. 39-2**. Tighten the 5/16"-18 cover screws until snug.



**HYDRAULIC FLUID LEVEL
(LH PUMP SHOWN)
FIG. 40-1**

MAXON[®]

11921 Slauson Ave. Santa Fe Springs, CA. 90670 (800) 227-4116 FAX (888) 771-7713

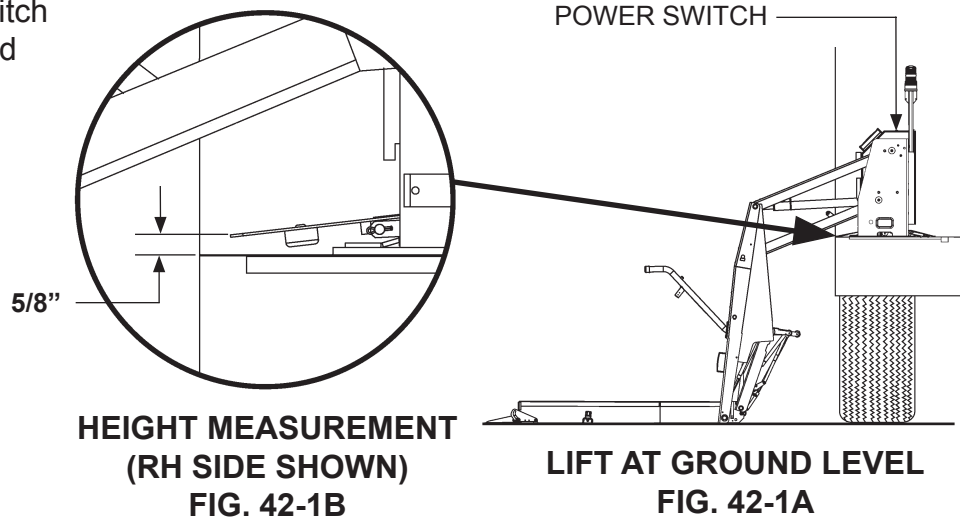
THIS PAGE INTENTIONALLY LEFT BLANK

MAXON[®] 11921 Slauson Ave. Santa Fe Springs, CA. 90670 (800) 227-4116 FAX (888) 771-7713

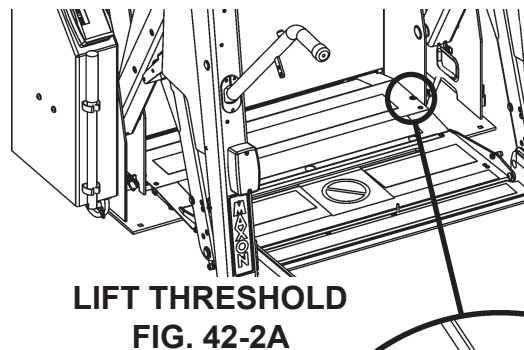
ADJUSTMENTS

MAT SWITCH ADJUSTMENT (IF REQUIRED)

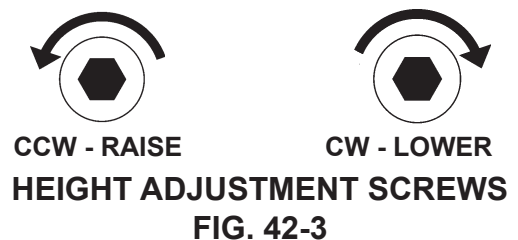
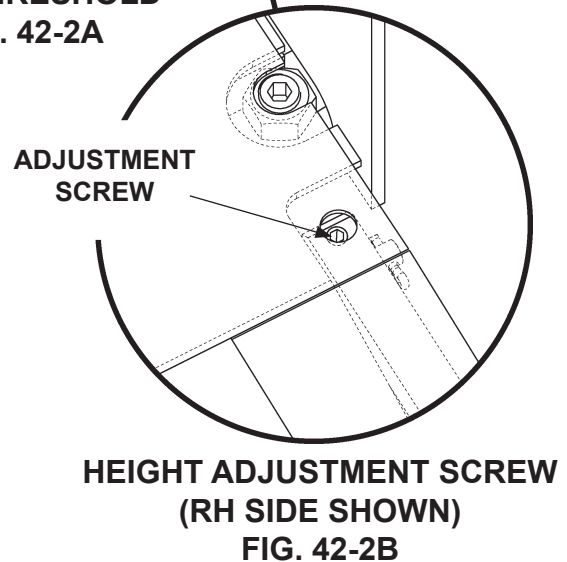
1. Make sure power switch (FIG. 42-1A) is turned on. Lower Lift to the ground (FIG. 42-1A).



2. Measure the height of the threshold plate as shown in FIG. 42-1B. If the height is 5/8", go to step 4 (skip step 3). If the height is not 5/8", go to step 3.



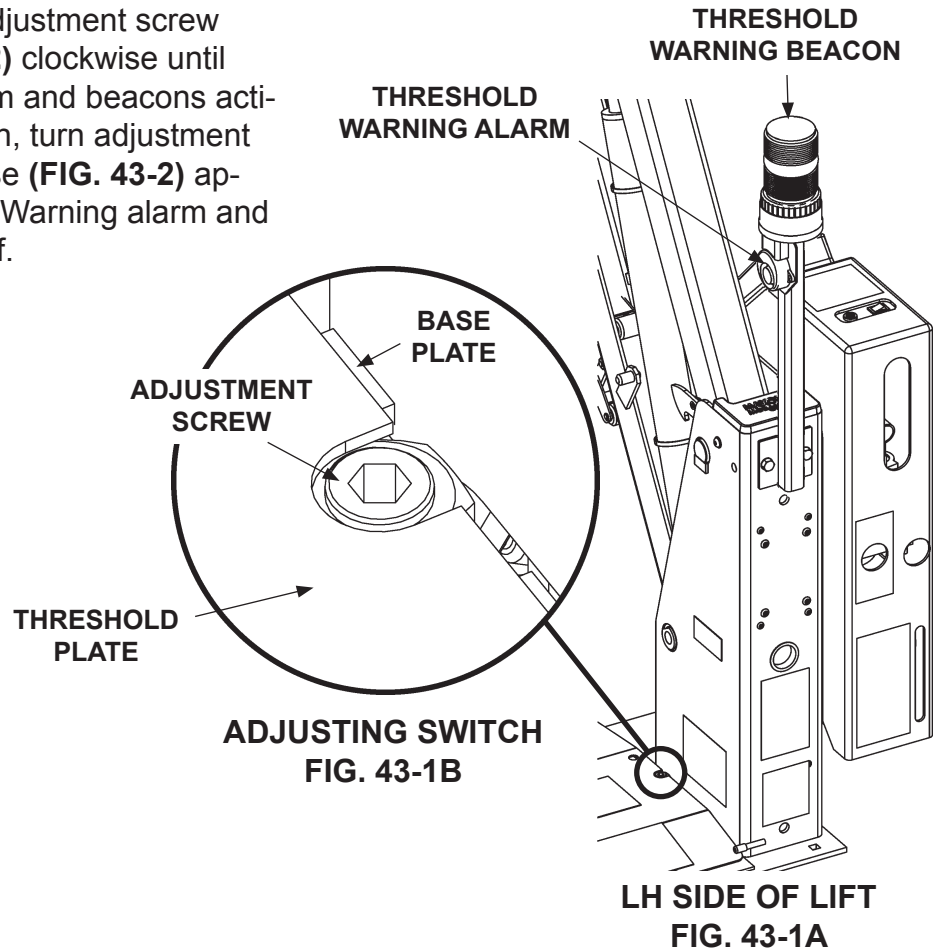
3. Set edge of the threshold plate to 5/8" height by turning the adjustment screw on the RH side of threshold plate (FIG. 42-2B). Turn adjustment screw counter-clockwise (FIG. 42-3) to raise threshold plate or clockwise to lower. Repeat for LH side of threshold plate. Alternately measure height (see instruction 2). Then, turn the adjustment screw on RH side and LH side until the entire edge of threshold plate is at 5/8" height.



MAXON

11921 Slauson Ave. Santa Fe Springs, CA. 90670 (800) 227-4116 FAX (888) 771-7713

- Turn the MAT switch adjustment screw (**FIGS. 43-1B and 43-2**) clockwise until threshold warning alarm and beacons activate (**FIG. 43-1A**). Then, turn adjustment screw counter-clockwise (**FIG. 43-2**) approximately 1-1/2 turn. Warning alarm and beacons should turn off.



CW - UNTIL ALARM & BEACONS TURN ON



1-1/2 TURN CCW - ALARM & BEACONS TURN OFF

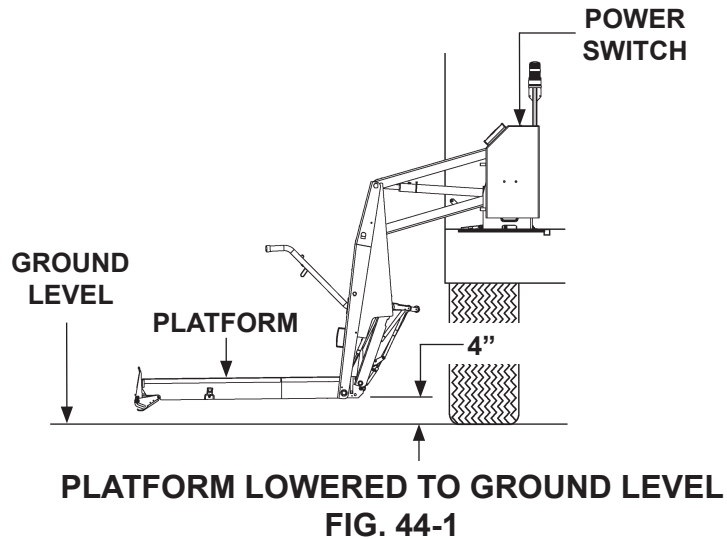
MAT SWITCH ADJUSTMENT SCREWS
FIG. 43-2

- Step on threshold plate. Warning alarm and beacons should activate. If the warning alarm and beacons do not activate, slightly turn adjustment screw (**FIGS. 43-1B and 43-2**) clockwise. Repeat until warning alarm and beacons activate when stepping on threshold plate and deactivate stepping off threshold plate.

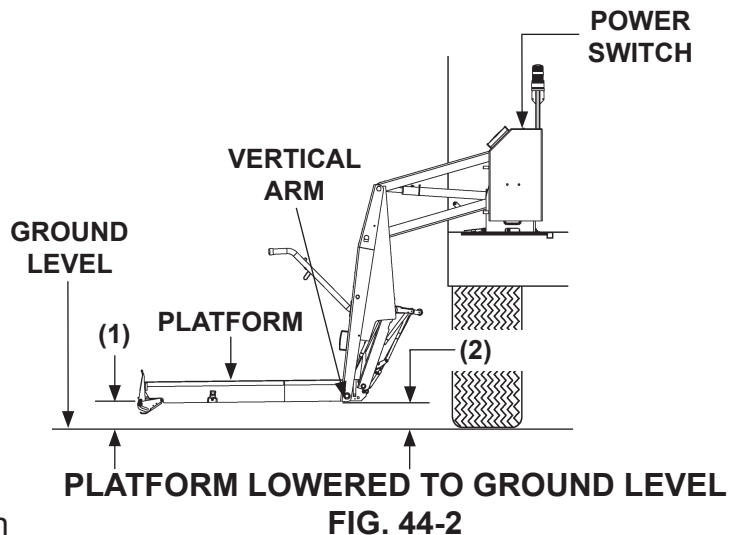
PLATFORM TILT ADJUSTMENT (MANDATORY)

NOTE: The platform tilt adjustment is important for operation of the outboard roll-stop and for keeping platform level when it reaches the ground. Vehicle floor height, Lift and stiffness of the vehicle suspension may change the angle of platform on the ground.

1. Make sure power switch (FIG. 44-1) is turned on. Lower the platform and stop approximately 4" above ground.

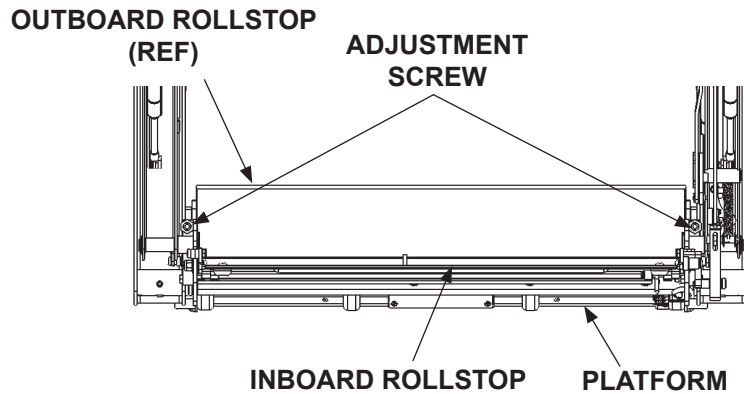


2. Measure distance from front of the platform (1) to the ground (FIG. 44-2). Next, measure the distance from the bottom of the vertical arm (2) to the ground (FIG. 44-2).



3. The measurement at the vertical arm (2) must be 1/2" - 1" more than the measurement at the front of platform (1). For example: If you measure 4" at the front (1), then you should measure from 4-1/2" to 5" at the vertical arm (2). If there is not a 1/2" - 1" difference, go to step 4 to obtain the correct measurement.

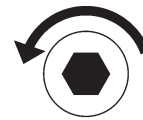
4. Manually lower the inboard rollstop for access to the adjustment screws (**FIG. 45-1**). To ensure proper leveling, turn platform tilt adjustment screws (**FIG. 45-1**) an equal amount on both sides of platform. Turn adjustment screws clockwise (**FIG. 45-2**) to tilt the platform up or counter-clockwise to tilt platform down.



**PLATFORM TILT ADJUSTMENT SCREW
(BACK VIEW OF PLATFORM SHOWN)
FIG. 45-1**



**CW - PLATFORM
TILT UP**



**CCW - PLATFORM
TILT DOWN**

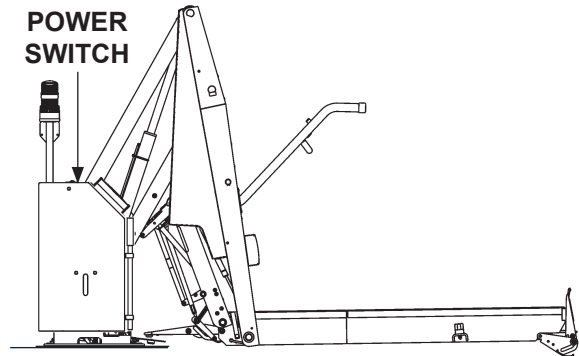
**PLATFORM TILT ADJUSTMENT SCREWS
FIG. 45-2**

INBOARD SWITCH ADJUSTMENT (IF REQUIRED)

NOTE: Do this procedure if the Controller reads “**IBRS SW**” when Inboard Rollstop is locked in the up position.

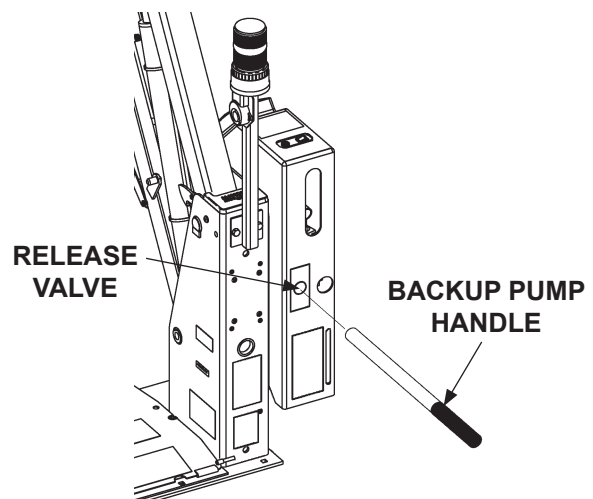
The adjustment is done correctly if the Controller does not read “**IBRS SW**” when the Inboard Rollstop is locked in the up position.

1. Position the platform at floor level (**FIG. 46-1**).



**PLATFORM AT FLOOR LEVEL
(LH SIDE SHOWN)
FIG. 46-1**

2. Turn **OFF** power switch on pump cover (**FIG. 46-1**).
3. Using the manual backup pump (**FIG. 46-2**), lower the platform until inboard rollstop (IBRS) is locked in the up position (**FIG. 47-1**). Refer to **Operation Manual** for instructions to operate the manual pump.

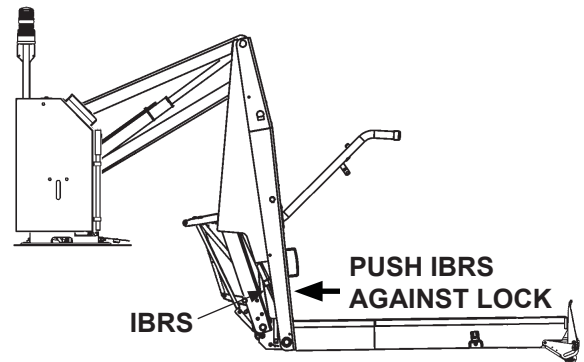


**USING BACKUP PUMP TO UNFOLD
(LIFT WITH LH PUMP)
FIG. 46-2**

MAXON

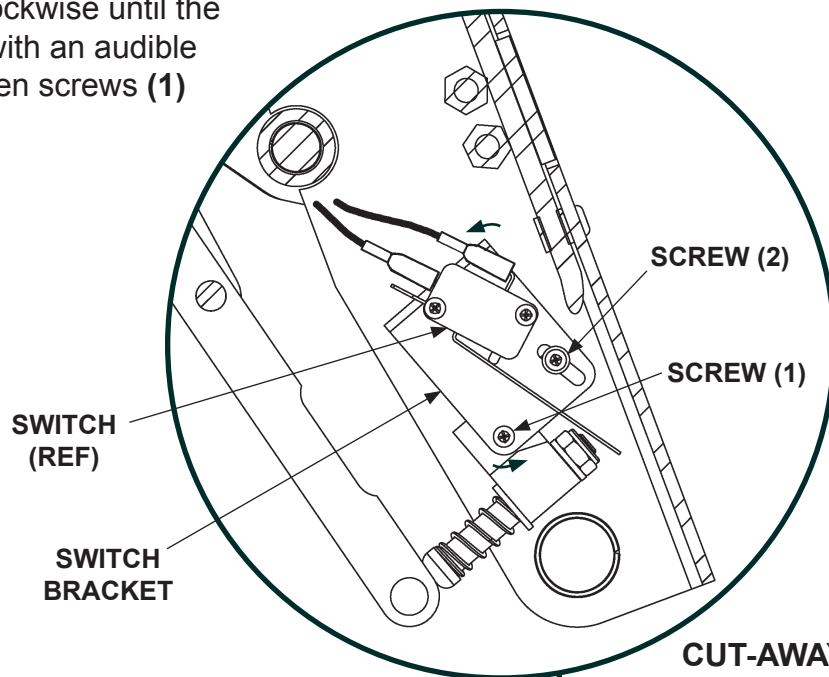
11921 Slauson Ave. Santa Fe Springs, CA. 90670 (800) 227-4116 FAX (888) 771-7713

4. Push the inboard rollstop back against the lock as if a wheelchair is pushing on the rollstop (FIG. 47-1).



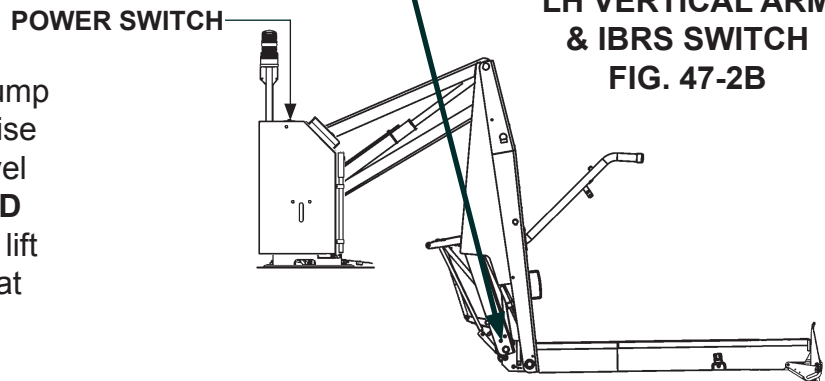
PLATFORM BELOW FLOOR LEVEL,
WITH IBRS UP (LH SIDE SHOWN)
FIG. 47-1

5. On the inboard rollstop switch, loosen screws (1) and (2) one-half turn (FIG. 47-2B). Next, rotate switch bracket clockwise until the switch activates with an audible “click”. Then tighten screws (1) and (2) securely.



CUT-AWAY VIEW OF
LH VERTICAL ARM
& IBRS SWITCH
FIG. 47-2B

6. Turn **ON** power switch on pump cover (FIG. 47-2A). Then raise (**UP**) the platform to floor level (FIG. 46-1). Verify that “**INBD SW**” is not displayed on the lift controller. If necessary repeat this procedure.

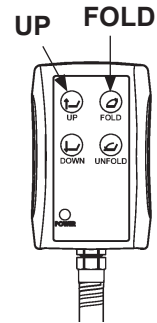


PLATFORM BELOW FLOOR LEVEL,
WITH IBRS UP (LH SIDE SHOWN)
FIG. 47-2A

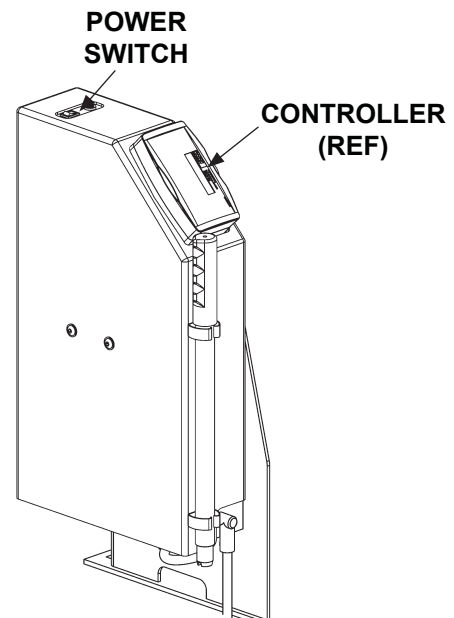
CHANGING CONTROLLER TO SPANISH OR ENGLISH (IF REQUIRED)

NOTE: The power switch on the Lift must be turned **OFF** before entering **SETUP**.

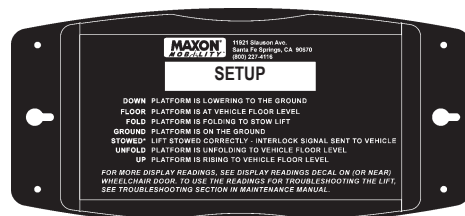
1. Turn power switch **OFF** (FIG. 48-2).
2. Enter **SETUP** by holding both the **UP** and **FOLD** switches on the hand pendant (FIG. 48-1) and turning the power switch **ON** at the same time (FIG. 48-2). Controller will read **SETUP** (FIG. 48-3).



**HAND PENDANT:
ENTERING SETUP
FIG. 48-1**

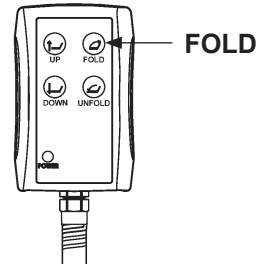


**TURNING POWER SWITCH ON/OFF
(LH PUMP SHOWN)
FIG. 48-2**

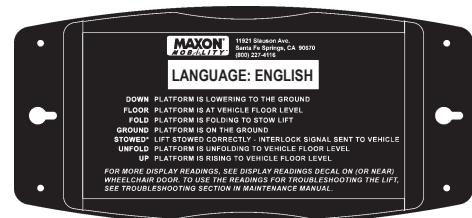


**CONTROLLER:
ENTERING SETUP
FIG. 48-3**

3. Push and release the **FOLD** switch (**FIG. 49-1**). Controller should be in the **LANGUAGE** mode (**FIG. 49-2**).



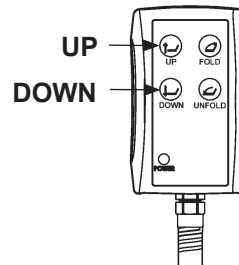
**HAND PENDANT:
CHANGING SETUP MODE
FIG. 49-1**



**CONTROLLER: LANGUAGE
SETTING (ENGLISH OR SPANISH)
FIG. 49-2**

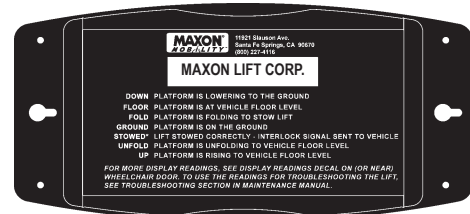
NOTE: After you exit **SETUP**, the controller readings will be displayed in the language you selected.

4. Push the **UP** switch or **DOWN** switch to change from **ENGLISH** to **SPANISH** (or from **SPANISH** to **ENGLISH**) (**FIGS. 49-2** and **49-3**).



**HAND PENDANT:
CHANGING THE SETTING
FIG. 49-3**

5. Push and release the **FOLD** switch (**FIG. 49-1**) three times to exit **SETUP** (**FIG. 49-4**).



**CONTROLLER:
EXITING SETUP
FIG. 49-4**

MAXON® 11921 Slauson Ave. Santa Fe Springs, CA. 90670 (800) 227-4116 FAX (888) 771-7713

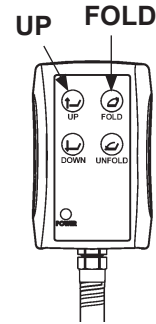
OUTBOARD ROLLSTOP TIME ADJUSTMENT (IF REQUIRED)

NOTE: Call **MAXON Technical Service** before doing this adjustment.

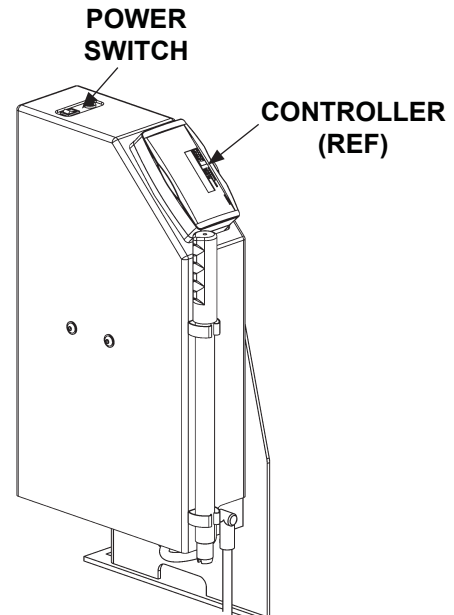
NOTE: The power switch on the Lift must be turned **OFF** before entering **SETUP**.

1. Turn power switch **OFF** (**FIG. 50-2**).

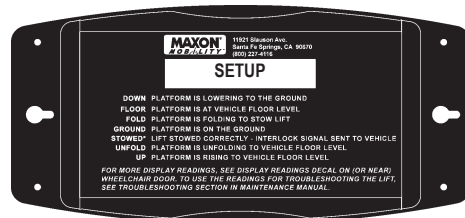
2. Enter **SETUP** by holding both the **UP** and **FOLD** switches on the hand pendant (**FIG. 50-1**) and turning the power switch **ON** at the same time (**FIG. 50-2**). Controller will read **SETUP** (**FIG. 50-3**).



**HAND PENDANT:
ENTERING SETUP
FIG. 50-1**

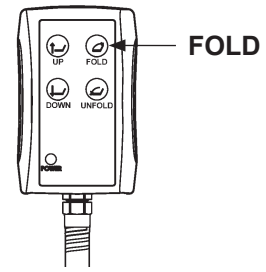


**TURNING POWER SWITCH ON/OFF
(LH PUMP SHOWN)
FIG. 50-2**



**CONTROLLER:
ENTERING SETUP
FIG. 50-3**

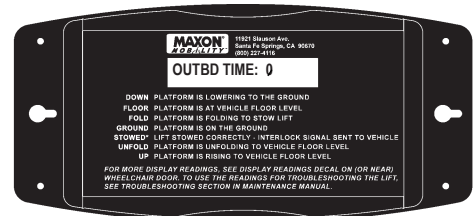
3. Push and release the **FOLD** switch (**FIG. 51-1**) to access the **OUTBD TIME** setting (**FIG. 51-2**).



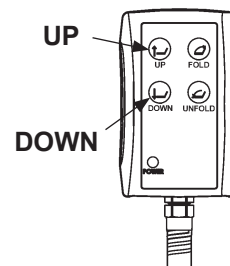
**HAND PENDANT:
CHANGING SETUP MODE
FIG. 51-1**

NOTE: A larger number for the **OUTBD TIME** setting allows more time for the controller to sense the outboard rollstop is closed. A smaller number decreases the time. Call **MAXON Technical Service** to advise you about the best setting for your vehicle.

4. Push the **UP** switch (**FIG. 51-3**) to increase the **OUTBD TIME** from **-7** to **10**. Push the **DOWN** switch (**FIG. 51-3**) to decrease the number from **10** to **-7**.

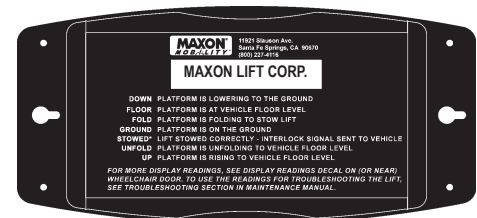


**CONTROLLER: SETTING
OUTBOARD RAMP TIME
(RANGE IS -7 TO 10)
FIG. 51-2**



**HAND PENDANT:
CHANGING THE SETTING
FIG. 51-3**

5. Push and release the **FOLD** switch (**FIG. 51-1**) two times to exit **SETUP** (**FIG. 51-4**).



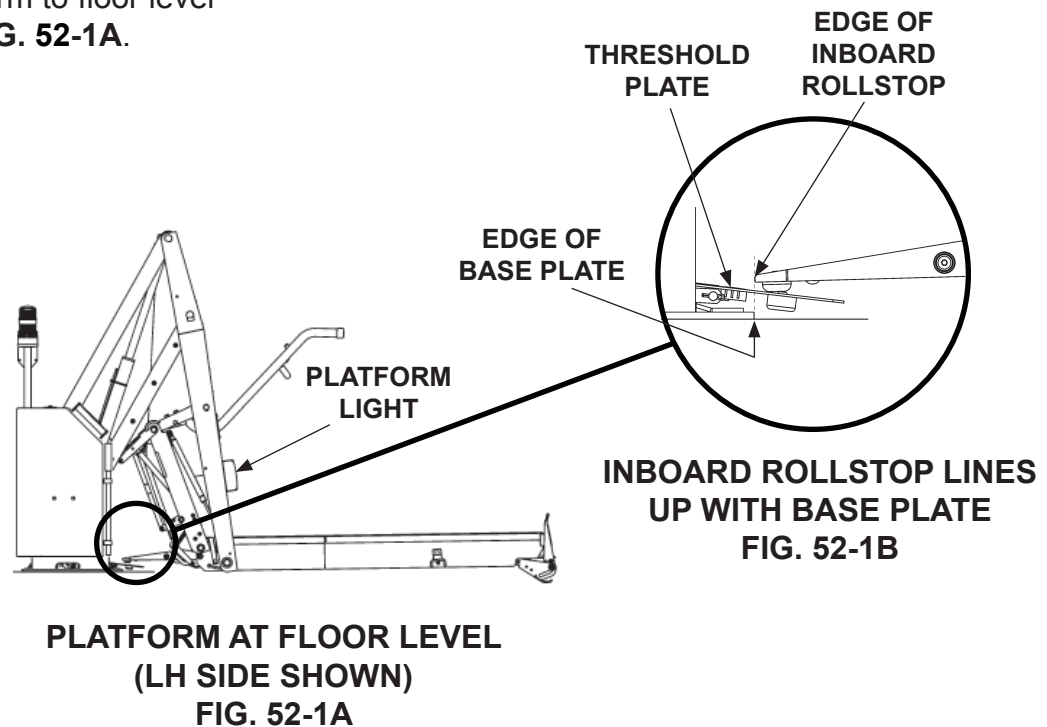
**CONTROLLER:
EXITING SETUP
FIG. 51-4**

MAXON® 11921 Slauson Ave. Santa Fe Springs, CA. 90670 (800) 227-4116 FAX (888) 771-7713

FLOOR POSITION ADJUSTMENT (MANDATORY)

NOTE: Do the following procedure to ensure the inboard rollstop rests on threshold plate and lines up approximately with edge of base plate.

1. Unfold the platform until the lights illuminate at floor level or raise the platform to floor level as shown in **FIG. 52-1A**.

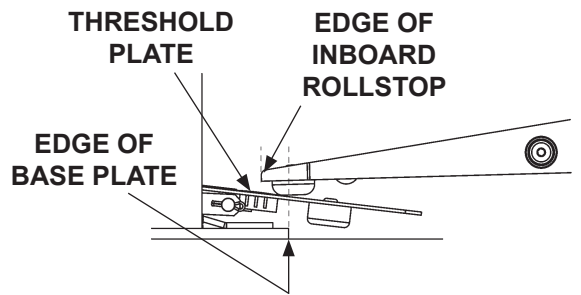


2. Inspect the threshold plate. The edge of the inboard rollstop should line up with the edge of the base plate as shown in **FIG. 52-1B**.

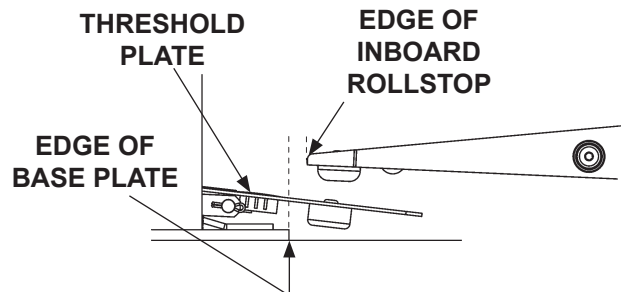
MAXON[®]

11921 Slauson Ave. Santa Fe Springs, CA. 90670 (800) 227-4116 FAX (888) 771-7713

3. If the inboard rollstop does not line up correctly with the edge of the base plate (FIGS. 53-1 and 53-2), go to INSTRUCTION 4.



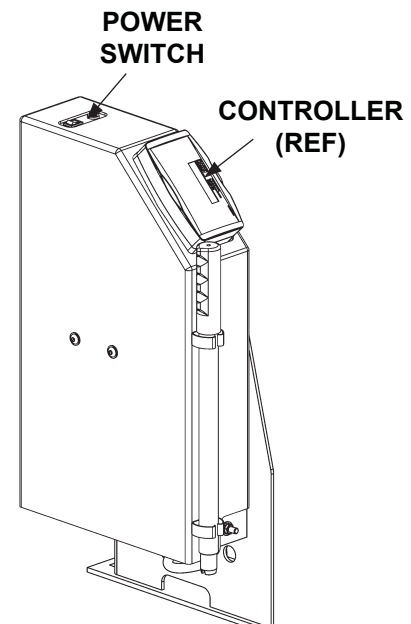
**INBOARD ROLLSTOP OVERLAPS
EDGE OF BASE PLATE
FIG. 53-1**



**INBOARD ROLLSTOP WITH GAP
BETWEEN BASE PLATE
FIG. 53-2**

NOTE: The power switch on the Lift must be turned **OFF** before entering **SETUP**.

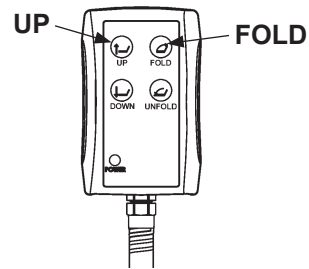
4. Turn power switch **OFF** (FIG. 53-3).



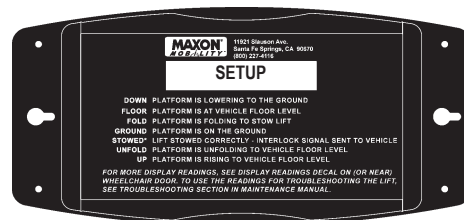
**TURNING POWER SWITCH ON/OFF
(LH PUMP SHOWN)
FIG. 53-3**

FLOOR POSITION ADJUSTMENT - Continued

5. Enter **SETUP** by holding both the **UP** and **FOLD** switches on the hand pendant (**FIG. 54-1**) and turning the power switch **ON** at the same time (**FIG. 53-3**). Controller will read **SETUP** (**FIG. 54-2**).

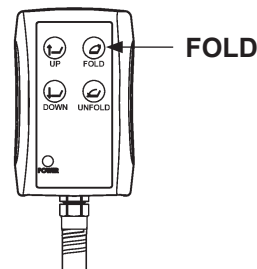


**HAND PENDANT:
ENTERING SETUP
FIG. 54-1**



**CONTROLLER:
ENTERING SETUP
FIG. 54-2**

6. Push and release the **FOLD** switch (**FIG. 54-3**) two times to access the **FLOOR POS** setting (**FIG. 54-4**).

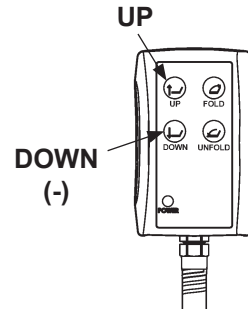


**HAND PENDANT:
CHANGING SETUP MODE
FIG. 54-3**



**CONTROLLER:
SETTING FLOOR POSITION
(EXAMPLE READING SHOWN)
FIG. 54-4**

7. To decrease overlap, push the **UP** switch from 1 to 5 times (**FIG. 55-1**). The **FLOOR POS** number displayed on the controller (**FIG. 55-2**) will increase by 1 each time you push the **UP** button. To close the gap, push the **DOWN** switch from 1 to 5 times (**FIG. 55-1**). The **FLOOR POS** number displayed on the controller (**FIG. 55-2**) will decrease by 1 each time you push the **DOWN** button.

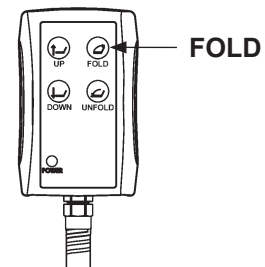


**HAND PENDANT:
CHANGING THE SETTING
FIG. 55-1**

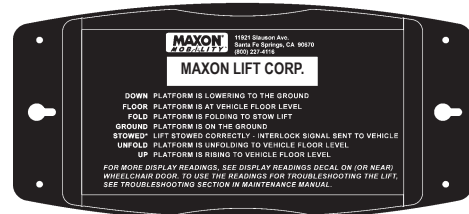


**CONTROLLER:
SETTING FLOOR POSITION
(EXAMPLE READING SHOWN)
FIG. 55-2**

8. Push and release the **FOLD** switch (**FIG. 55-3**) to exit **SETUP** (**FIG. 55-4**).



**HAND PENDANT:
CHANGING SETUP MODE
FIG. 55-3**

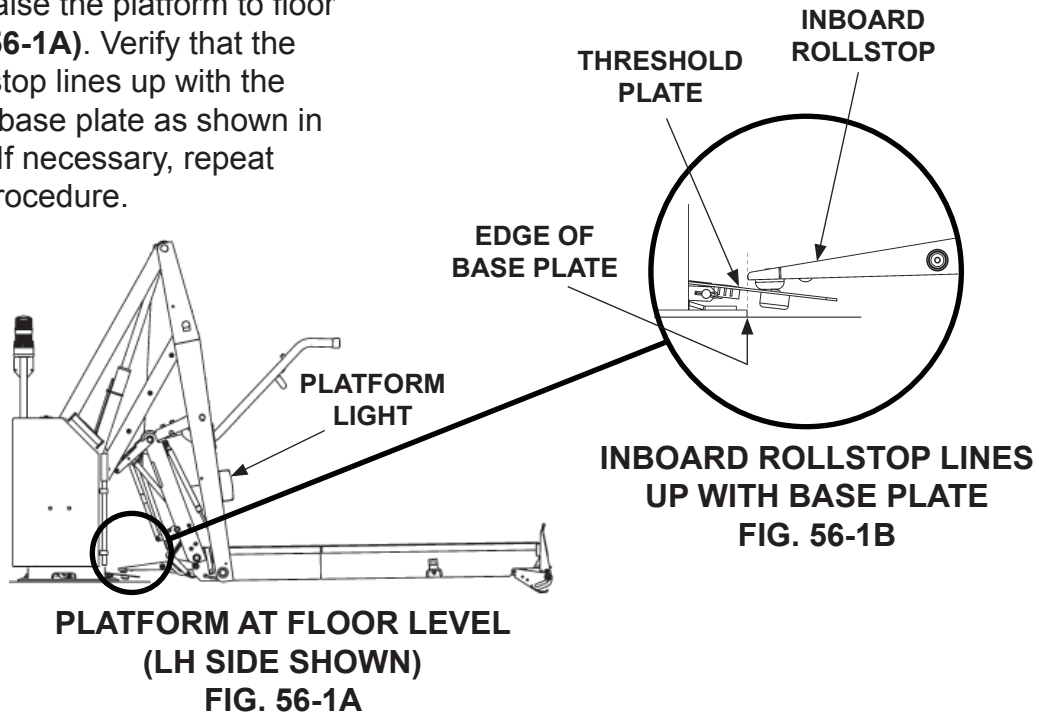


**CONTROLLER:
EXITING SETUP
FIG. 55-4**

MAXON® 11921 Slauson Ave. Santa Fe Springs, CA. 90670 (800) 227-4116 FAX (888) 771-7713

FLOOR POSITION ADJUSTMENT - Continued

9. Lower the platform until the inboard rollstop is in the up and locked position. Next, raise the platform to floor level (**FIG. 56-1A**). Verify that the inboard rollstop lines up with the edge of the base plate as shown in **FIG 56-1B**. If necessary, repeat this entire procedure.



MAXON[®]

11921 Slauson Ave. Santa Fe Springs, CA. 90670 (800) 227-4116 FAX (888) 771-7713

SYSTEM DIAGRAMS

HYDRAULIC SYSTEM DIAGRAM

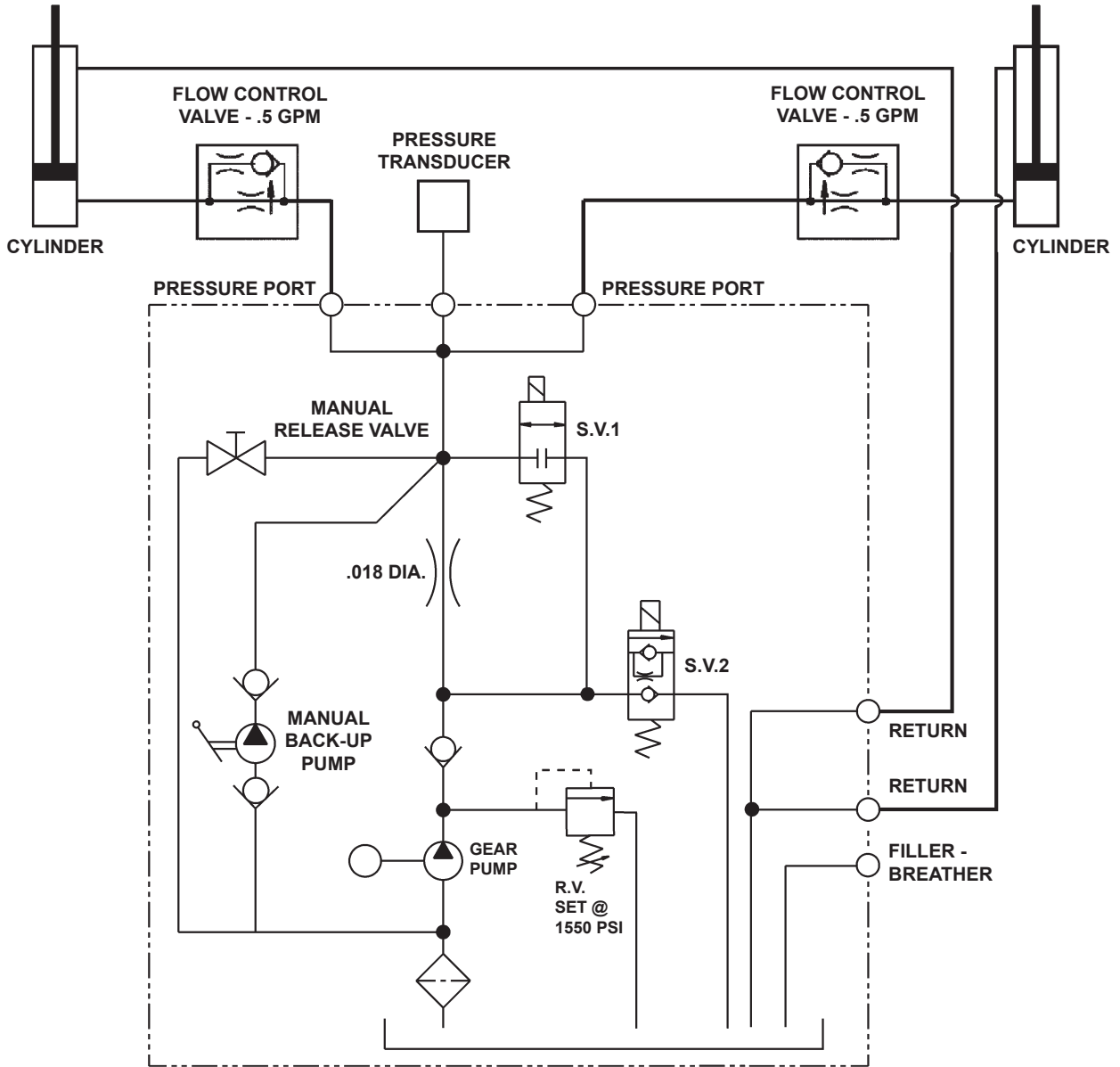


FIG. 57-1

MAXON[®] 11921 Slauson Ave. Santa Fe Springs, CA. 90670 (800) 227-4116 FAX (888) 771-7713

COMPLETED LIFT INSTALLATION CHECKLIST

- 1. Make sure vehicle is still parked on level ground. If vehicle is equipped with a parking brake, set the parking brake. If equipped with locking service brake, set the service brake and make sure vehicle is in park or neutral.
Start vehicle engine.
Turn on Wheelchair Lift power switch (if equipped) at the vehicle driver's station.
If equipped, make sure occupant restraint belt is buckled on Lift.
Make sure Lift is stowed.
- 2. Turn **ON** power switch at the Lift. Record **CYCLE COUNT** _____ and **LIFT COUNT** _____ indicated on Lift controller.

WARNING

The following procedure requires checking equipment on the vehicle while the vehicle is in drive and parking brake is released. A qualified vehicle operator is needed inside the vehicle at the driver's station. A second qualified operator is required outside the vehicle to operate the Wheelchair Lift. To prevent accidental injury and equipment damage, chock the vehicle wheels and get a second qualified vehicle operator to help you do the procedure.

Chock the vehicle wheels.

Check Vehicle Safety Interlocks:

- 3. Make sure the interlock system prevents Lift from being deployed when vehicle is set to move under its own power. Release the vehicle brakes and/or shift vehicle to a drive gear (**DRIVE** or **REVERSE**). Controller on the Lift should display **LOCKED**. Try to unfold Lift with the **UNFOLD** button on hand pendant. Lift must not unfold from stowed position when vehicle is set to move under its own power.
- 4. Make sure the interlock system prevents vehicle from moving under its own power when the Lift is deployed. Shift vehicle to **PARK** or **NEUTRAL**, and/or set parking brake/service brake as required for your vehicle interlock system. Lift controller should display **STOWED ***. Use the **UNFOLD** button on hand pendant to unfold the Lift. Release the **UNFOLD** button when the controller displays **UNFOLD**. Try to move vehicle under its own power by shifting into **DRIVE** and/or releasing parking brake/service brake. Vehicle must not be able to shift into **DRIVE** and/or parking brake/service brake must not release when Lift is deployed. Make sure vehicle is in **PARK** or **NEUTRAL**, and/or parking brake/service brake is set as required for your vehicle interlock system. Use the **FOLD** button to stow the Lift. The Lift controller displays **STOWED *** when Lift is stowed and interlock is working correctly.

Check Lift Operation:

NOTE: Keep off the threshold plate until instructed to stand on it.

- 5. Make sure the Lift unfolds all the way to vehicle floor level. Press the **UNFOLD** button on hand pendant to unfold Lift. Release the **UNFOLD** button when:
 - Platform stops unfolding at vehicle floor level
 - Inboard rollstop is lowered to the threshold plate
 - Platform lights are illuminated.The Lift controller displays **UNFOLD & FLOOR** as Lift moves from stowed position to vehicle floor level.
- 6. Make sure the occupant restraint belt works correctly on the Lift, if equipped. Unbuckle the belt. Then press the **DOWN** button on the hand pendant. Lift must not move. Buckle the occupant restraint belt before proceeding to the next check.
- 7. Make sure the threshold warning beacons light up and the alarm sounds when:
 - Threshold plate is occupied
 - Lift is moving downStand on the threshold plate and press the **DOWN** button on the hand pendant. The controller displays **DOWN** as the Lift starts lowering. After the platform is lowered approximately 1" (25mm) below floor level:
 - Threshold warning beacons must light up
 - Alarm must sound
 - Controller must display **MAT ERR**Move off the threshold plate into the vehicle before proceeding to the next check.

8. Make sure platform lowers all the way to the ground and platform lights are illuminated while platform is lowering. Press **DOWN** button on the hand pendant to lower platform to the ground. As the platform is lowering:
- Controller must display **DOWN**
 - Platform lights must be illuminated
- When the platform reaches the ground:
- Controller must display **GROUND**
 - Outboard rollstop must lower to the ground
9. Make sure platform will not raise more than 3" above the ground if the outboard rollstop is not up all the way. Stand on the outboard rollstop to keep it from moving to the up position. Press **UP** button on hand pendant to raise platform. As the platform is raising:
- Controller must display **OUTBD SW**
 - Platform must stop raising at no more than 3" above the ground
- Press the **DOWN** button on the hand pendant to lower platform to the ground. Move off the outboard rollstop before proceeding to the next check.
10. Make sure platform raises from the ground all the way to vehicle floor level and platform lights are illuminated while platform is raising. Press **UP** button on the hand pendant to raise platform to vehicle floor level. As the platform is raising:
- Controller must display **UP**
 - Platform lights must be illuminated
- When the platform reaches vehicle floor level:
- Controller must display **FLOOR**
 - Platform lights must still be illuminated
11. Make sure platform cannot be folded if occupied. Place a 50 pound weight on the platform, on the end closest to the inboard rollstop. Press **FOLD** button on the hand pendant.
- Platform must not fold
 - Controller must display **OCCUPIED**
- Remove the 50 pound weight from the platform before proceeding to the next check.
12. Make sure Lift folds into the stowed position and platform lights turn off. Press **FOLD** button on the hand pendant until the Lift is in stowed position and stops folding.
- Controller must display **FOLD**
 - Platform lights must be turned off
 - Controller must display **STOWED** * when Lift is stowed
13. Turn the power switch on the Lift controller **OFF** and then **ON** again. Check and record **CYCLE COUNT** _____ and **LIFT COUNT** _____ indicated on Lift controller. Both counters must indicate one more count than recorded at the beginning of **CHECKLIST**.
- Check manuals and decals supplied with the Lift:**
14. All decals are correctly affixed to Lift and on the vehicle. Refer to the **DECALS & DECALS PLACEMENT** section in this manual for decal placement location instructions.
15. Lift Operation Manual and Maintenance Schedule are inserted in the vehicle owners manual.

VEHICLE I.D. (VIN)# _____

WHEELCHAIR LIFT SERIAL# _____

CHECKED BY & DATE: _____

MAXON LIFT CORP.

11921 SLAUSON AVE. SANTA FE SPRINGS, CA 90670

(562) 464-0099 (800) 227-4116 FAX (888) 771-7713 Internet: www.maxonlift.com

Free Manuals Download Website

<http://myh66.com>

<http://usermanuals.us>

<http://www.somanuals.com>

<http://www.4manuals.cc>

<http://www.manual-lib.com>

<http://www.404manual.com>

<http://www.luxmanual.com>

<http://aubethermostatmanual.com>

Golf course search by state

<http://golfingnear.com>

Email search by domain

<http://emailbydomain.com>

Auto manuals search

<http://auto.somanuals.com>

TV manuals search

<http://tv.somanuals.com>