

HIFONICS®
C A R A U D I O
POWER FROM THE GODS

ATLAS

SUBWOOFERS

ATL12D4 / ATL12D2

H I F N I C S

ATLAS SERIES

CAR AUDIO SUBWOOFERS

Congratulations on your purchase of the new Hifonics ATLAS Series subwoofer system. As Hifonics celebrates 25 years of shaking the mobile audio industry, the ATLAS received a progressive new look. The ATLAS made its' name in the industry as one of the most durable and loudest subwoofers in its' price range. The ATLAS feature incredible cosmetic detail, accurate bass reproduction through a wide range of frequencies, and impressive power handling capabilities.

- Available In DVC 2-Ohm & 4-Ohm High-Temp Voice Coils
- 12" Round Subwoofers
- 1" Tall Rubber Reinforced and Stitched Rubber Surround
- Single Flat Nomex Spider With Woven Tinsel Leads
- Polypropylene Cone With Woven Honeycomb Support Body
- Custom Parallel/Series Input Nickel Plated Push Terminals
- 140oz Double-Stack Magnet Assembly
- Heat Dispersing Ported Nickel Plated Back Plate
- Trim Ring To Conceal Mounting Screws
- High Strength ABS Motor Cover
- Operates In Sealed & Ported Enclosures

As with all high quality car audio products, we recommend professional installation by an authorised Hifonics dealer. Your dealers knowledge and experience can ensure a problem free and cosmetically integrated installation.

If you choose to install the subwoofers yourself, please read the entire manual very carefully.

SUBWOOFER INSTALLATION AND WIRING DIRECTIONS

Enclosure Materials

Typically, 5/8" or 3/4" MDF (Medium Density Fiber Board) is best for most applications. 3/4" MDF is recommended.

Enclosure Build Materials

Connecting joints need to be glued and screwed to ensure no air escapes and joints do not separate under high pressure. Mitered and rabbit joints also help to ensure the enclosure joints are secure.

Bracing

Internal bracing is also recommended to prevent flexing and to strengthen the enclosure.

Note: The volume taken up by the bracing should be added to the total enclosure interior volume.

There are two common bracing methods.

1. **Corner Bracing:** These help prevent the connection joints from separating under heavy vibration and air pressure.

Use 1' x 1" MDF at all interior joints

2. **Diagonal Bracing:** These internal braces connect the top side to the bottom side as well front side to back side. This prevents the wood from bowing or pushing outwards.

Use 1" x 2" with 1" surface contact that is glued and screwed.

Wiring

Wiring Parallel, Series or Parallel/Series will affect the final impedance at the amp and great care must be taken to ensure the amp is not driven below its intended impedance capabilities.

ATLAS ROUND SUBWOOFERS

<u>ELECTRICAL</u>	<u>ATL12</u>		
Wiring	<u>PARALLEL</u>	<u>SERIES</u>	
Sd	0.04975	0.0498	sqM
Revc	0.95	3.8	Ohm
Levc	1	1	mH
BL	9.8	19.4	TxM
Vas	43.7	43.7	Liter
Cms	125	125	uM/N
Mms	278	278	Grams
Fo	27	27	Hz
Qms	4	4	
Qes	0.467	0.489	
Qts	0.418	0.437	
no	0.178	0.17	%
SPL@1W	84.7	84.5	dB
SPL@2.83V	93.5	87.6	dB
Xmax/Over Hang	17	17	mm
Xmech/Suspension	29	29	mm
RMS Watts	600	600	Watts
MAXX Watts	1200	1200	Watts

HIFONICS ATLAS ROUND SUBWOOFERS

ATL12

CLOSED BOX DESIGNS (SEALED)

Standard Tight Bass

Box Volume	0.75	Cubic Feet
Qtc	0.733	
F3	48	Hz

Optimal Sound Quality-Flat Response

Box Volume	1.5	Cubic Feet
Qtc	0.586	
F3	45	Hz

VENTED BOX DESIGNS (ROUND PORT)

Standard Tight Bass

Box Volume	1.5	Cubic Feet
Fb	45	Hz
Port Size (Inside Diameter)	4	Inches
Port Length	9.5	Inches
F3	35	Hz

Optimal Sound Quality-Flat Response

Box Volume	2	Cubic Feet
Fb	35	Hz
Port Size (Inside Diameter)	4	Inches
Port Length	12.5	Inches
F3	29	Hz

VENTED BOX DESIGNS (SLOT PORT)

SPL Very Boomie - Loud

Box Volume	3.1	Cubic Feet
Fb	47	Hz
Port Size (Height)	12.5	Inches
Port Size (Width)	3.5	Inches
Port Length	20.75	Inches
F3	36	Hz

FEATURES ARE SUBJECT TO CHANGE WITHOUT NOTICE

NOTE: All above box volumes are internal values and already include subwoofer and port displacement. The F3 value represents the -3db cut off of the enclosure in Hz.

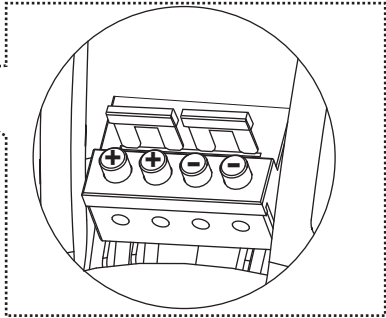
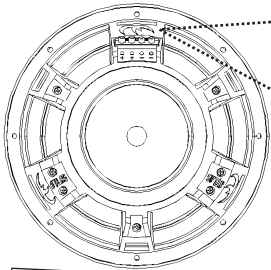
Polyfill may be added to sealed enclosures to reach the desired Q-Value.

Glossary of Terms

- Q The energy losses of relative damping (ratio of stored to dissipated energy or ratio of reactive to resistive energy).
- F_s Free air resonance of driver in Hz.
- Q_{ms} Mechanical Q.
- V_{as} Volume of air equivalent to driver from the rest position.
- C_{ms} Mechanical compliance of a loud speaker piston.
- M_{ms} Moving mass of total loud speaker piston assembly.
- X_{max} The maximum linear excursion of a loud speaker.
- S_d Surface area of the cone.
- D_{ia} The piston diameter of a loud speaker.
- Q_{es} Electrical Q of a system.
- R_e DC resistance.
- L_e VC inductance.
- P_e Maximum input power.
- Q_{ts} Total Q of the system.
- Sens Sensitivity. An efficiency measurement in dB's.
- V_c Volume of a closed or sealed enclosure
- V_b Volume of a vented enclosure.
- F_c The resonant frequency of a closed or sealed system
- F_b The resonant frequency of a vented system
- F₃ The half-power (-3dB) frequency of a loud speaker enclosure
- Q_{tc} The Q of a loud speaker at F_c in a closed box, considering both it's electrical and mechanical resistance.
- Q_L The Q of a vented box, resulting from all box losses.
- D_V Diameter of vent.
- L_V Length of vent.
- H Height.
- W Width.
- D Depth

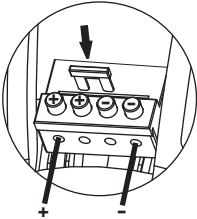
DVC 4-Ohms

Speaker Terminal Block

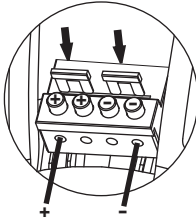


Each Atlas comes with 2 jumper pins in the Terminal Block.

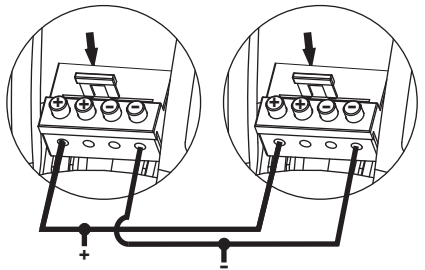
Series 8-Ohms



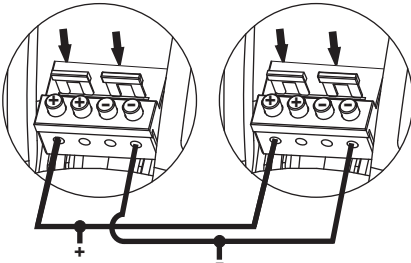
Parallel 2-Ohms



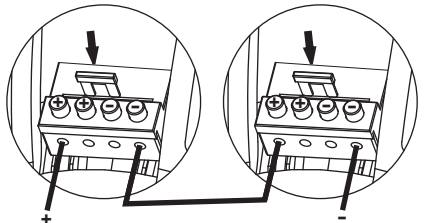
4-Ohms Series Coils / Parallel Subwoofers



1-Ohm Parallel Coils / Parallel Subwoofers

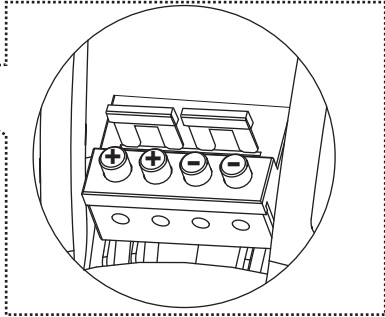
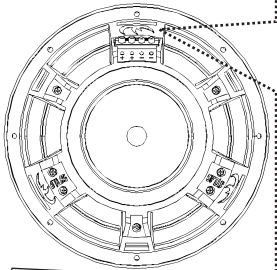


16-Ohms Series Coils / Series Subwoofers



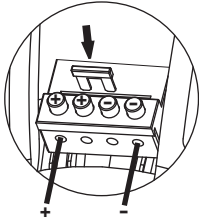
DVC 2-Ohms

Speaker Terminal Block

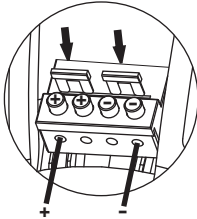


Each Atlas comes with 2 jumper pins in the Terminal Block.

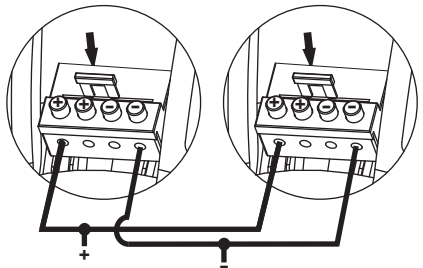
Series 4-Ohms



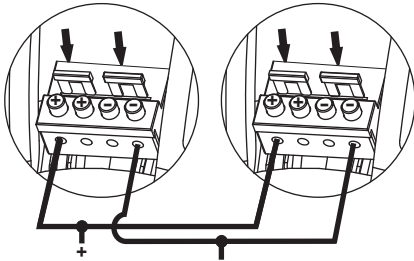
Parallel 1-Ohm



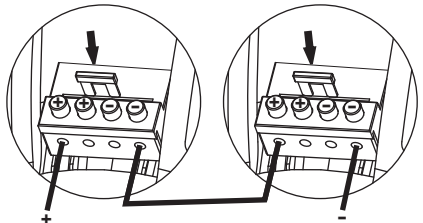
2-Ohms Series Coils / Parallel Subwoofers



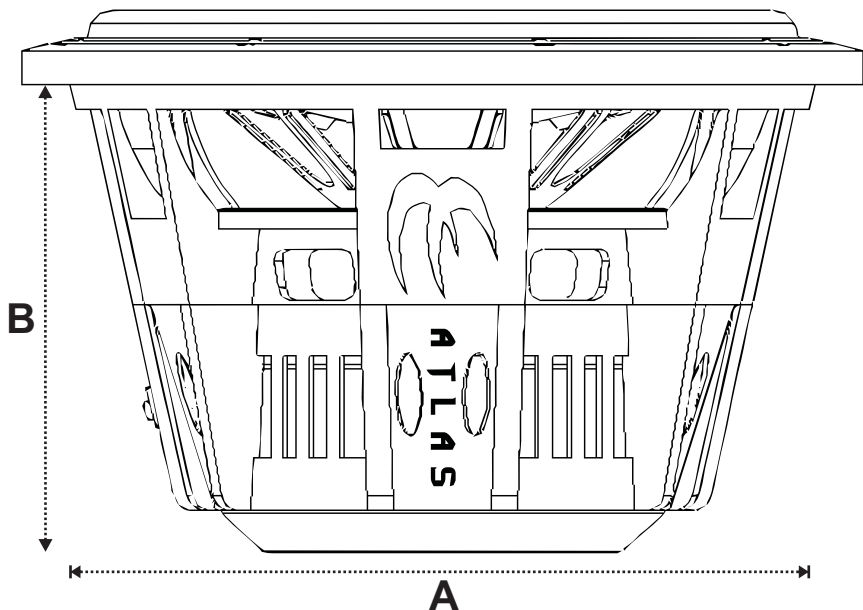
0.5-Ohm Parallel Coils / Parallel Subwoofers



8-Ohms Series Coils / Series Subwoofers



Subwoofer Dimensions



Due to the vented backplate, you must allow for an additional 2" behind the subwoofer when designing your speaker enclosure.

A - Cut Out Diameter
304mm / 11.97"

B - Mounting Depth
183.3mm / 7.22"

Maxxsonics Limited Warranty

As the manufacturer of Maxxsonics, MB Quart, Autotek, Crunch and Hifonics car audio products, Maxxsonics USA Inc. Warrants to the original consumer purchaser the amplifier to be free from defects in material and workmanship for one (1) Year from date of purchase.

All other parts and accessories of the system are warranted to be free from defects in material and workmanship for one (1) year from date of purchase. Maxxsonics will repair or replace at it's option and free of charge during the warranty period, any system component that proves defective in materials and workmanship under normal installation, use and service provided that the product is returned to the authorized Maxxsonics dealer from where it was purchased. A photo copy of the original receipt must accompany the product being returned.

Valid purchase receipts will contain the name and address of the authorized reseller.

Any damage to the product as a result of misuse, abuse, accident, incorrect wiring, improper installation, alteration of date code or bar code labels, revolution, natural disaster, or any sneaky stuff because someone messed up, repair or alteration out side of our factory or authorized service centers and any thing else you have done that you should not have done is not covered.

This warranty is limited to defective parts and specifically excludes any incidental or consequential damages connected therewith. This warranty is not to be construed as an insurance policy.

Warranty on installation labor, removal, re-installation and freight charges are not the responsibility of Maxxsonics USA Inc.

Warranty products damaged as a result of insufficient or improper packing materials are not covered by this limited warranty and such damaged product will be returned "as is" at the expense of the owner.



MAXXSONICS™

Designed and Engineered in the USA

www.maxxsonics.com



MAXXSONICS®

MBQUARTI®

autOTEK®

HIF◇NICS®

CRUNCH®

WWW.MAXXSONICS.COM

Free Manuals Download Website

<http://myh66.com>

<http://usermanuals.us>

<http://www.somanuals.com>

<http://www.4manuals.cc>

<http://www.manual-lib.com>

<http://www.404manual.com>

<http://www.luxmanual.com>

<http://aubethermostatmanual.com>

Golf course search by state

<http://golfingnear.com>

Email search by domain

<http://emailbydomain.com>

Auto manuals search

<http://auto.somanuals.com>

TV manuals search

<http://tv.somanuals.com>