

DRYER

Repair Parts List

MODEL NUMBER

HYE3657AYW

When requesting service or ordering parts, always provide the following information:

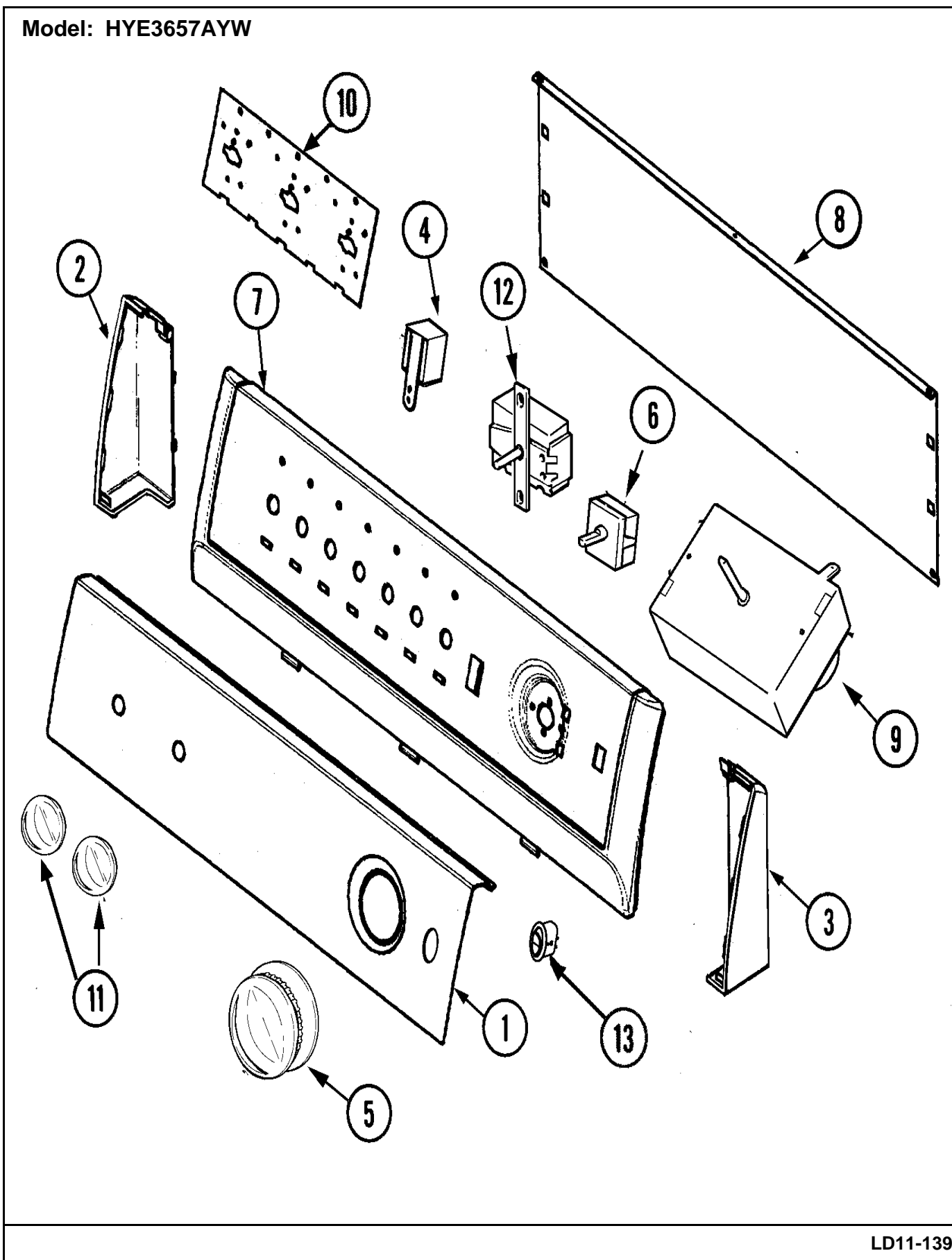
- Product Type
- Part Number
- Model Number
- Part Description

MAYTAG®

©2005 Maytag Services

Section: CONTROL PANEL

Model: HYE3657AYW



LD11-139

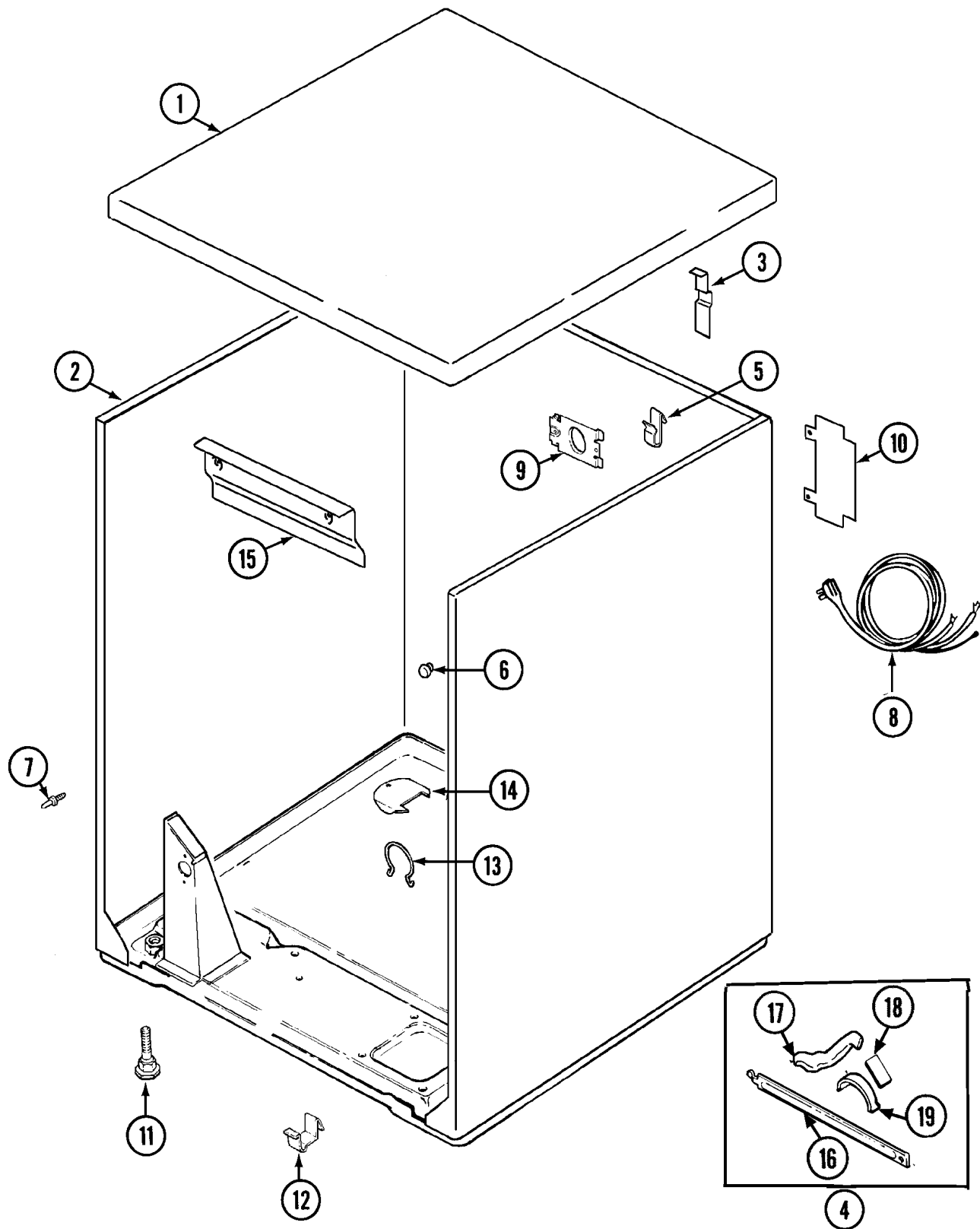
Section: CONTROL PANEL

No.	Part No.	Description	Series	Qty
1	31001555	PANEL, CONTROL	10	1
-	25-3092	SCREW	10	2
2	21001519	ENDCAP (WHT-LT)	10	1
3	21001523	ENDCAP (WHT-RT)	10	1
-	25-3092	SCREW	10	2
4	33001848	SIGNAL, END OF CYCLE (CHIME)	10	1
5	31001554	KNOB/SKIRT, TIMER	10	1
6	31001190	SWITCH, TWO POSITION ROTARY	10	1
-	25-3092	SCREW	10	2
7	21002005	FRAME, CONTROL PANEL (WHT)	10	1
8	21001527	SHIELD, REAR (BACK PANEL)	10	1
-	25-3092	SCREW	10	3
9	31001731	TIMER	10	1
-	25-3092	SCREW	10	2
-	31001484	RESISTOR ASM (DOMESTIC/TIMER)	10	1
10	21001603	SHIELD, CONTROL (3 POS.)	10	2
11	21001974	KNOB, SELECTOR	10	2
12	31001447	SWITCH, TEMPERATURE	10	1
-	25-3092	SCREW	10	2
-	31001483	RESISTOR ASM TEMPERATURE	10	1
12	53-4395	SWITCH, TEMPERATURE	15	1
-	31001704	RESISTOR ASM TEMPERATURE	15	1
13	22003977	SWITCH, ROCKER (WHT)	10	1
-	53-4450	HARNESS, WIRING	15	1
-	31001488	HARNESS, WIRE	10	1

*Color Code (-)=Not Shown #=Series, Serial Prefix or Run No., N=Not Available

Section: CABINET

Model: HYE3657AYW



LD12-111

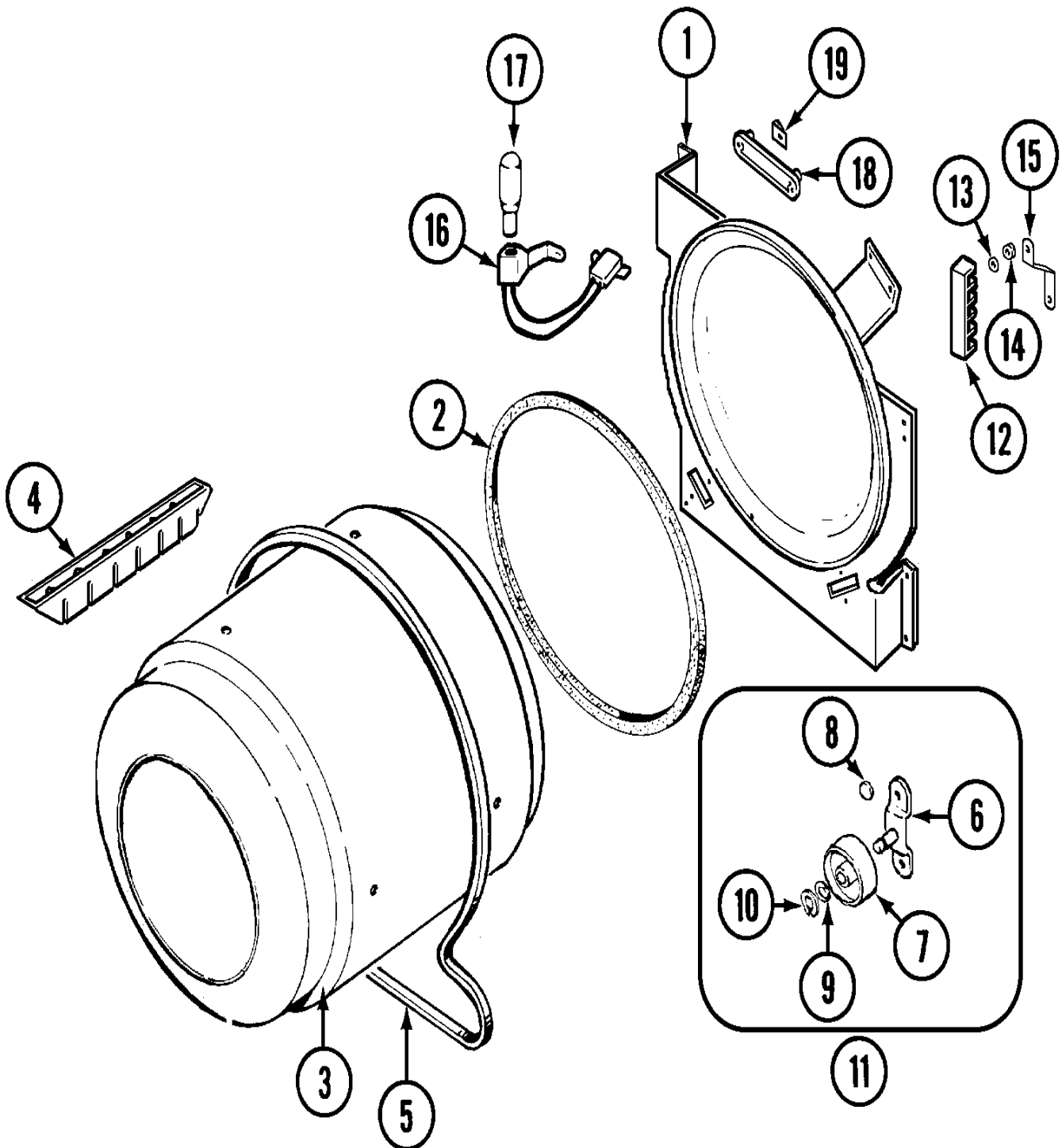
Section: CABINET

No.	Part No.	Description	Series	Qty
1	31001423	TOP, CABINET (WHT)	10	1
-	N 31001527	REINFORMENT, TOP	10	1
-	31001220	DAMPER, CABINET	10	3
2	53-2559	CABINET & BASE ASM (WHT)	10	1
2	N 31001714	CABINET & BASE ASM (WHT)	12	1
-	25-3092	SCREW	10	2
3	63-5712	HINGE, CABINET TOP	10	2
-	35-4128	PAD, HINGE	10	2
4	12002126	REINFORCEMENT BRACE/GLIDE KIT	10	1
5	25-3034	CLIP, WIRING	10	3
6	33-2653	BUMPER, CABINET	10	4
7	21001829	POST, LOCATING	10	2
9	53-0135	SUPPORT, POWER CORD	10	1
-	25-7828	SCREW, #10 TORQ LIMITING	10	1
10	53-0284	COVER, TERMINAL	10	1
-	25-7857	SCREW	10	1
11	63-5519	LEG, LEVELING	10	4
12	53-0120	CLIP, FRONT PANEL	10	2
13	31001320	CLIP, WIRING HARNESS	10	6
14	N 53-1921	SHIELD, WIRING	10	1
-	25-7733	SCREW	10	1
-	25-3457	SCREW, SEMS	10	2
15	N 53-0133	SHIELD, HEAT	10	1
16	53-1625	BRACE, TUMBLER SUPPORT	10	1
17	31001469	GLIDE, TUMBLER (RT)	10	1
18	31001356	PAD, GLIDE	10	2
19	31001470	GLIDE, TUMBLER (LT)	10	1

*Color Code (-)=Not Shown #=Series, Serial Prefix or Run No., N=Not Available

Section: TUMBLER

Model: HYE3657AYW



LD13-22

Section: TUMBLER

No.	Part No.	Description	Series	Qty
-	25-7741	SCREW	10	8
1	LA-1054	DRYER BULKHEAD KIT Note: BULKHEAD	10	1
2	53-0281	SEAL ASSY (WHITE) Note: SEAL, TUMBLER (REAR)	10	1
3	53-1250	CYLINDER (W/BAFFLE) Note: TUMBLER ASSY. (W/BAFFLES)	10	1
- N	25-7759	SCREW Note: SCREW, BAFFLE	10	12
4	53-1249	BAFFLE, WHITE	10	3
5	31531589	BELT, CYLINDER Note: BELT, TUMBLER	10	1
6	53-0197	SUPPORT ASSY.-CYLINDER REAR Note: SUPPORT ASSEMBLY (REAR)	10	2
-	25-7101	SCREW Note: SCREW, SUPPORT ASSEMBLY	10	4
7	31001096	ROLLER (REAR) Note: ROLLER, TUMBLER (REAR)	10	2
8	25-7813	SPACER Note: SPACER, ROLLER	10	2
9	25-7814	WASHER Note: WASHER, ROLLER	10	2
10	25-7854	RING, RETAINING Note: RING, RETAINER	10	2
11	LA-1008	RR ROLLER KIT Note: ROLLER KIT (REAR)	10	1
12	53-1518	BLOCK, TERMINAL	10	1
-	25-7952	SCREW Note: SCREW, TERMINAL BLOCK	10	2
13	25-3122	WASHER, FLAT Note: WASHER, FLAT	10	4
14	25-0027	NUT (#10-32) Note: NUT (#10-32)	10	4
15 N	53-0965	STRAP, GROUND Note: STRAP, GROUND	10	1
16	53-1580	RECEPTACLE ASSY Note: RECEPTACLE, BULB	10	1
-	25-3457	SCREW, SEMS Note: SCREW, RECEPTACLE	10	1
17	53-0570	CYL LIGHT BULB Note: BULB, LIGHT	10	1
18	53-0174	LENS, BULB Note: LENS, BULB	10	1
19	25-3562	CLIP, PUSH-ON Note: CLIP, LENS	10	2

*Color Code (-)=Not Shown #=Series, Serial Prefix or Run No., N=Not Available

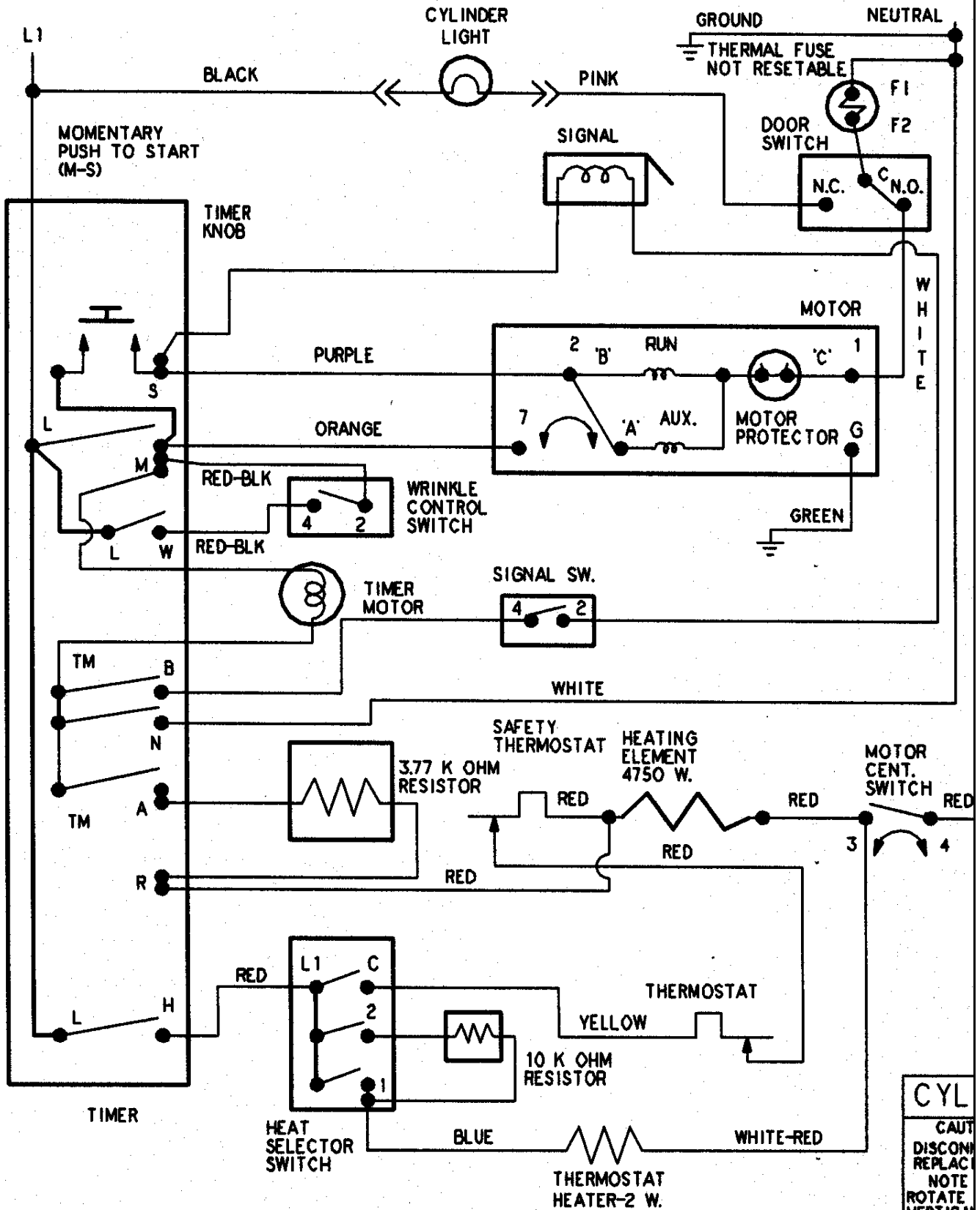
Section: SUPPLEMENTAL INFORMATION

No.	Part No.	Description	Series	Qty
-	53-4350	MANUAL, USE & CARE	10	1
-	16008334	MANUAL, SRVC DRYER-NO REFUND	10	1
2	31001488	HARNESS, WIRE	10	1
2	53-4450	HARNESS, WIRING	15	1
4	12001928	KIT, SIDE VENT	10	1
4	21001495	RACK, DRYING	10	1
-	12002417	WIRE KIT (HERRIN LAUNDRY)	10	1

*Color Code (-)=Not Shown #=Series, Serial Prefix or Run No., N=Not Available

Section: WIRING INFORMATION

Model: HYE3657AYW

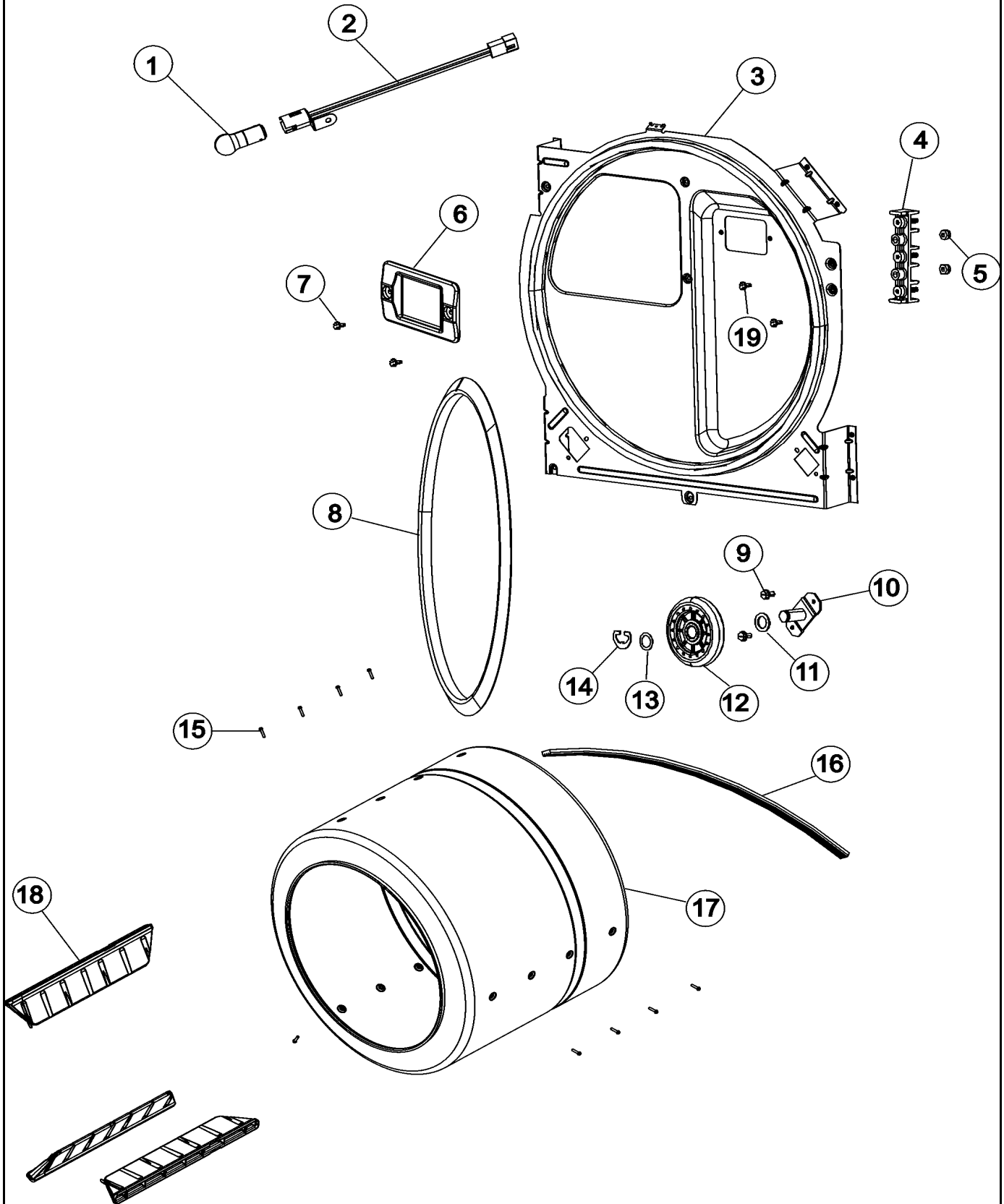


CYL
 CAUT
 DISCON
 REPLAC
 NOTE
 ROTATE

15003266

Section: TUMBLER (SERIES 12)

Model: HYE3657AYW



LD13-61

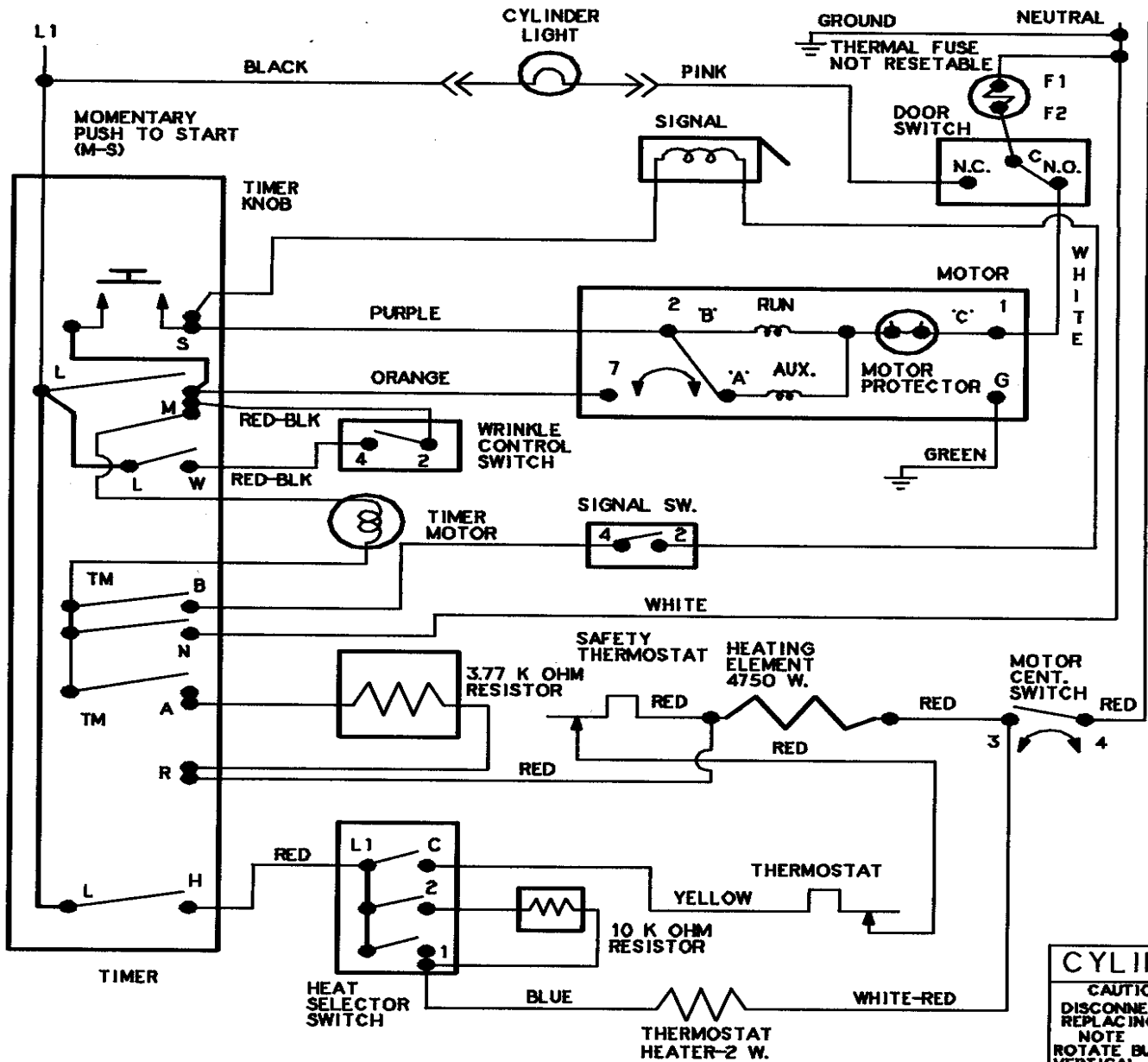
Section: TUMBLER (SERIES 12)

No.	Part No.	Description	Series	Qty
1	31001575	BULB, CYLINDER LIGHT	12	1
2	31001579	RECEPTACLE ASM, CLYINDER LIGHT	12	1
3	31001581	BULKHEAD WITH SEAL	12	1
4	53-1518	BLOCK, TERMINAL	12	1
5	25-3122	WASHER, FLAT	12	2
5	25-0027	NUT (#10-32)	12	2
6	31001585	LENS, CYLINDER LIGHT	12	1
7	31001580	SCREW, 6-32 HEX WASHER HEAD	12	2
8	31001548	SEAL ASSEMBLY (REAR)	12	1
9	25-7101	SCREW	12	4
10	53-0197	SUPPORT ASSY.-CYLINDER REAR	12	2
11	31001583	SPACER, ROLLER	12	2
12	31001096	ROLLER (REAR)	12	2
13	25-7814	WASHER	12	2
14	25-7854	RING, RETAINING	12	2
15	N 25-7759	SCREW	12	12
16	31531589	BELT, CYLINDER	12	1
17	53-1250	CYLINDER (W/BAFFLE)	12	1
18	53-1249	BAFFLE, WHITE	12	3
19	25-7952	SCREW	12	2

*Color Code (-)=Not Shown #=Series, Serial Prefix or Run No., N=Not Available

Section: WIRING INFORMATION (SERIES 13)

Model: HYE3657AYW



CYLINDER LIGHT
 CAUTION
 DISCONNECT
 BEFORE REPLACING
 NOTE
 ROTATE BULB
 VERTICAL POSITION
 BEFORE REMOVING
 REPLACE WITH
 PART NO. 51-100
 EQUIVALENT

CONNECT DRYER TO 120/240 V.A.C., 60 HZ. INDIVIDUAL BRANCH CIRCUIT PROTECTED BY MAXIMUM 30 A. FUSES. ALWAYS GIVE THE SERIAL & MODEL NUMBERS WHEN WRITING ABOUT THIS DRYER OR ORDERING PARTS

TIMER SEQUENCE					HEAT SELECTOR SWITCH			WRINKLE CONTROL
TIMER-ROTATES 1.33 DEGREES PER MINUTE					POSITION	CONTACTS		POSITION
	OFF	AUTO REGULAR	OFF	AUTO PERM. PRESS	FLUFF			
				WRINKLE OUT	LOW	L1-1, L1-C		
					MEDIUM	L1-C, L1-2		
					HIGH	L1-C		
TM-B	■	■	■	■				
L-H	■	■	■	■				
TM-A	■	■	■	■				
L-W	■	■	■	■				
TM-N	■	■	■	■				
L-M	■	■	■	■				
M-S	■	■	■	■				
					MOTOR WIRING CODE			
					MOTOR	A	B	C
					EMERSON	RED	YELLOW	BLUE
MIN.	0	15	25.5	0	16.5	30	30	79
					89	0	30	60
								90
								109
								119.5

15003455

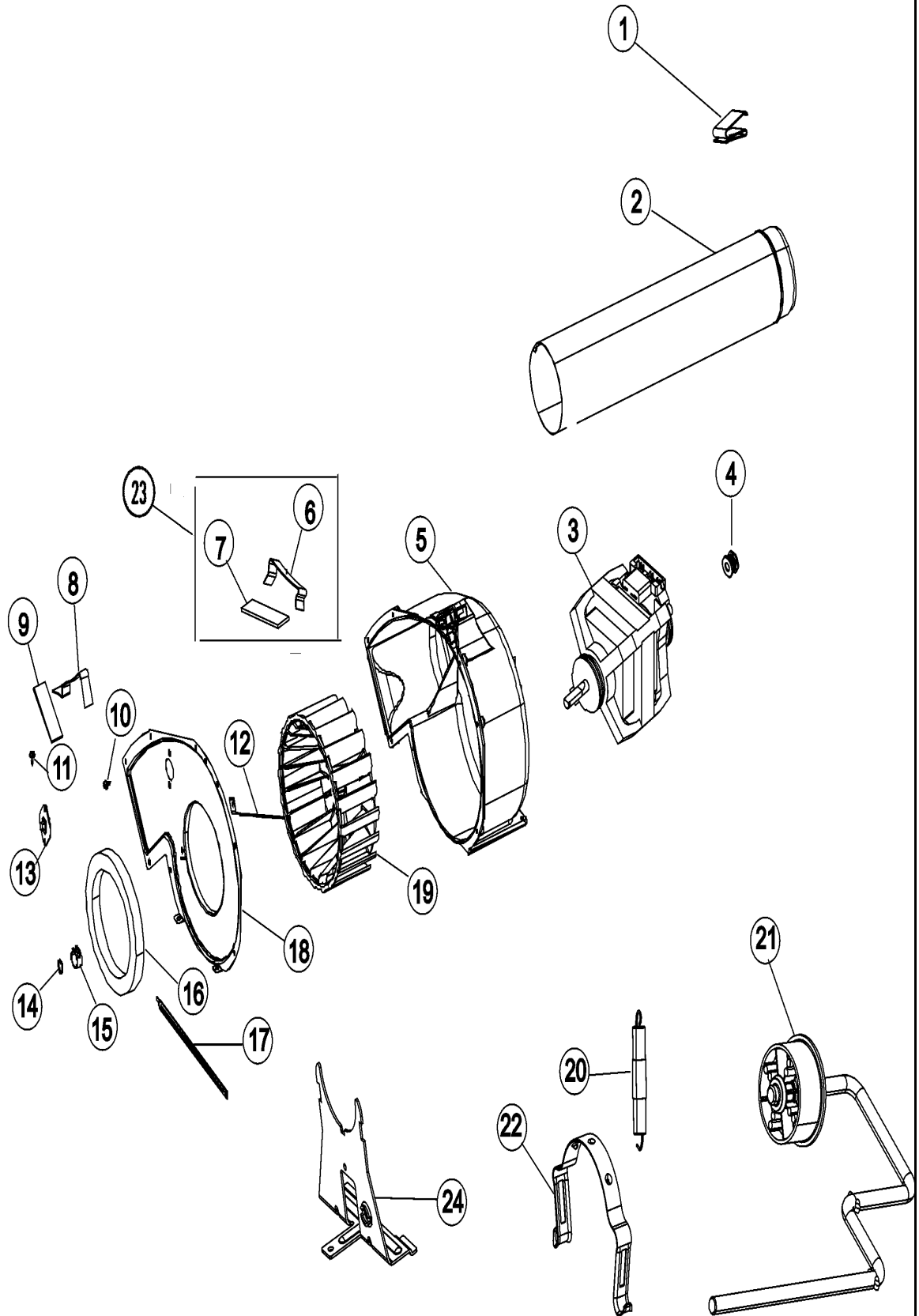
Section: WIRING INFORMATION (SERIES 13)

No.	Part No.	Description	Series Qty
-	N 15003455	WIRING INFORMATION	13 1

*Color Code (-)=Not Shown #=Series, Serial Prefix or Run No., N=Not Available

Section: MOTOR & DRIVE

Model: HYE3657AYW



LD14-63

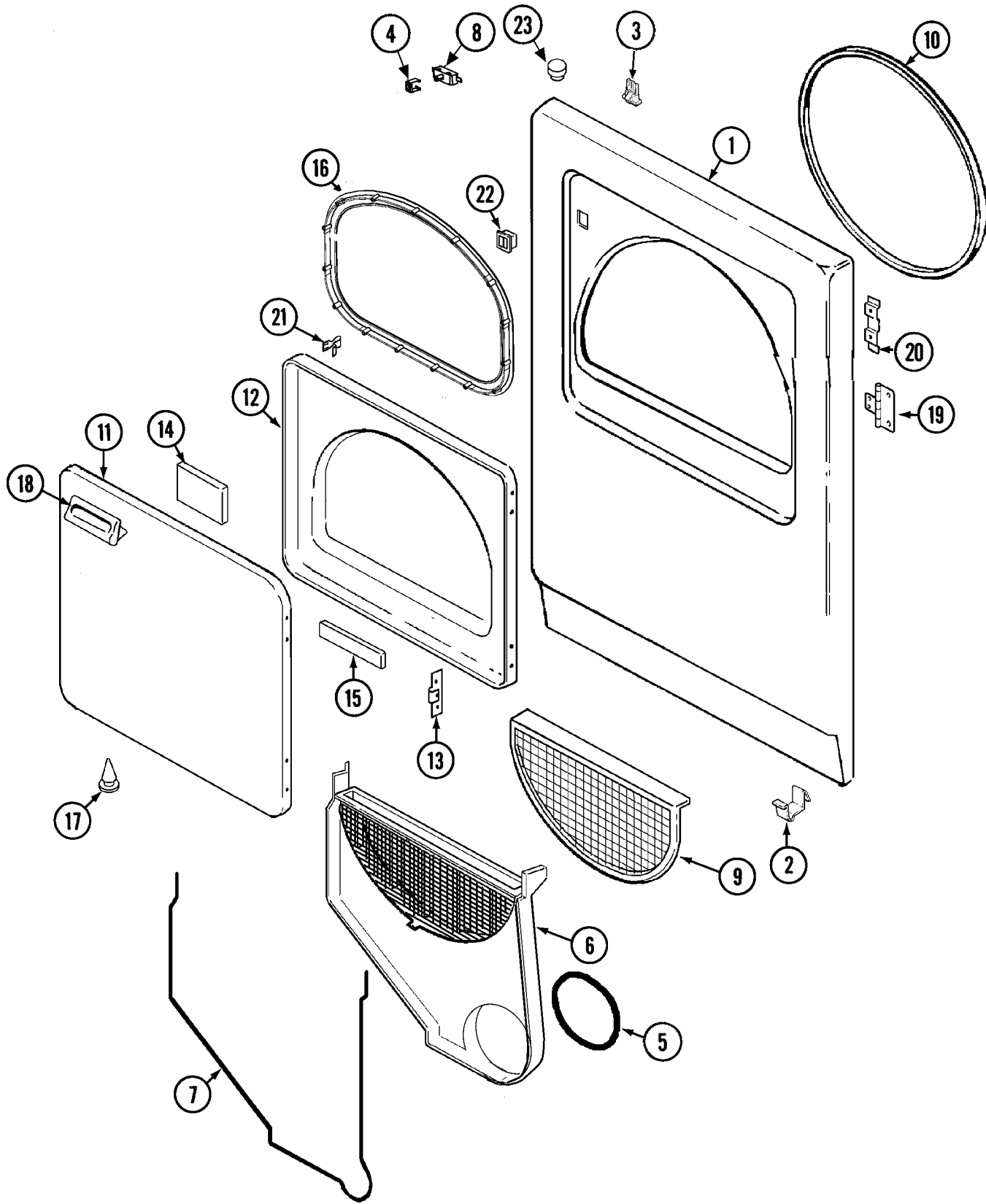
Section: MOTOR & DRIVE

No.	Part No.	Description	Series	Qty
1	31001572	CLIP, VENT PIPE GROUND	10	1
2	53-0134	DUCT, EXHAUST	10	1
3	31001589	MOTOR (115V-60HZ 1/3HP)	10	1
-	25-7733	SCREW	10	1
4	31001535	PULLEY, MOTOR (60HZ)	10	1
5	53-1801	HOUSING, BLOWER	10	1
6	31001470	GLIDE, TUMBLER (LT)	10	1
7	31001356	PAD, GLIDE	10	1
8	31001469	GLIDE, TUMBLER (RT)	10	1
9	31001356	PAD, GLIDE	10	1
10	25-7807	SCREW	10	8
11	25-7890	SCREW	10	1
12	53-1026	GUIDE, VANE INLET	10	1
-	25-2134	SCREW	10	2
13	31001088	THERMOSTAT, CONTROL	15	1
13	31001192	THERMOSTAT, CONTROL	10	1
14	25-7855	RING, RETAINING	10	2
15	25-7823	CLAMP	10	1
16	31001541	SEAL, BLOWER/COLLECTOR DUCT	10	1
17	53-1625	BRACE, TUMBLER SUPPORT	10	1
18	53-1934	COVER, BLOWER HOUSING	10	1
19	31001317	WHEEL, BLOWER (DEEPE)	10	1
20	31001465	SPRING, IDLER	10	1
21	31001710	IDLER ARM ASSEMBLY	10	1
22	53-0214	CLAMP, MOTOR	10	2
23	LA-1006	GLIDE KIT, TUMBLER	10	1
24	31001570	BRACKET, MOTOR	10	1
-	31001571	SCREW, 10-24X0700 HXWSHRHD TY	10	1

*Color Code (-)=Not Shown #=Series, Serial Prefix or Run No., N=Not Available

Section: DOOR (SERIES 14 EXCEPT HYE3658AZW)

Model: HYE3657AYW



LD17-41

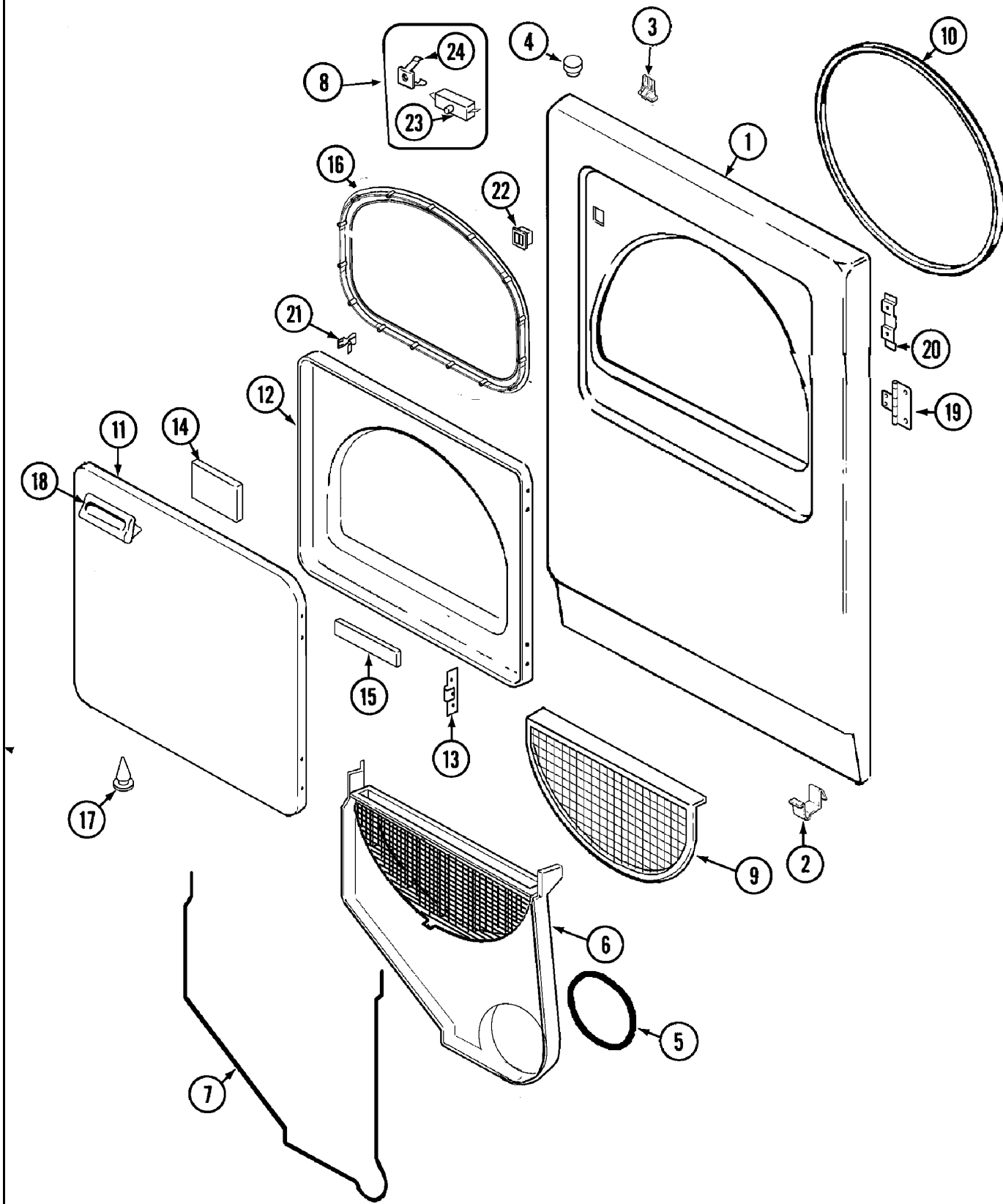
Section: DOOR (SERIES 14 EXCEPT HYE3658AZW)

No.	Part No.	Description	Series	Qty
1	31001771	PANEL, FRONT (WHT)	14	1
2	53-0120	CLIP, FRONT PANEL	14	2
3	31001526	LOCK, TOP	14	1
4	31001733	CLIP, SWITCH	14	1
5	31001541	SEAL, BLOWER/COLLECTOR DUCT	14	1
-	25-7810	SCREW 8-18X1/2 TRUSS H	14	2
6	12001324	DUCT KIT, COLLECTOR	14	1
7	53-0204	SEAL	14	1
8	31001732	SWITCH, DOOR	14	1
9	53-0918	FILTER, LINT	14	1
10	31001637	SEAL ASSEMBLY, CYL FRONT	14	1
11	53-0154	PANEL, OUTER DOOR (WHT)	14	1
-	25-7752	SCREW, 8-18X3/8 TYAB BUT	14	4
12	53-0912	PANEL, INNER DOOR (WHT)	14	1
13	53-0119	CLIP, HINGE	14	2
14	53-1490	DOOR PAD	14	1
15	53-1491	DOOR PAD	14	2
16	31001529	SEAL, DOOR	14	1
17	25-7889	PLUG BUTTON	14	1
-	25-7810	SCREW 8-18X1/2 TRUSS H	14	2
18	53-0927	HANDLE, DOOR (WHT)	14	1
19	53-1492	HINGE, DRYER DOOR	14	2
-	25-7809	SCREW, #6-20 1/2 FLTHD TORX	14	4
20	53-0121	TWIN NUT	14	2
-	31001786	SCREW, 8-18X1/2 TORX T10	10	4
21	53-2364	STRIKE, DOOR	14	1
22	53-0187	CATCH, DOOR	14	1
23	33-2653	BUMPER, CABINET	14	4

*Color Code (-)=Not Shown #=Series, Serial Prefix or Run No., N=Not Available

Section: DOOR

Model: HYE3657AYW



LD17-33

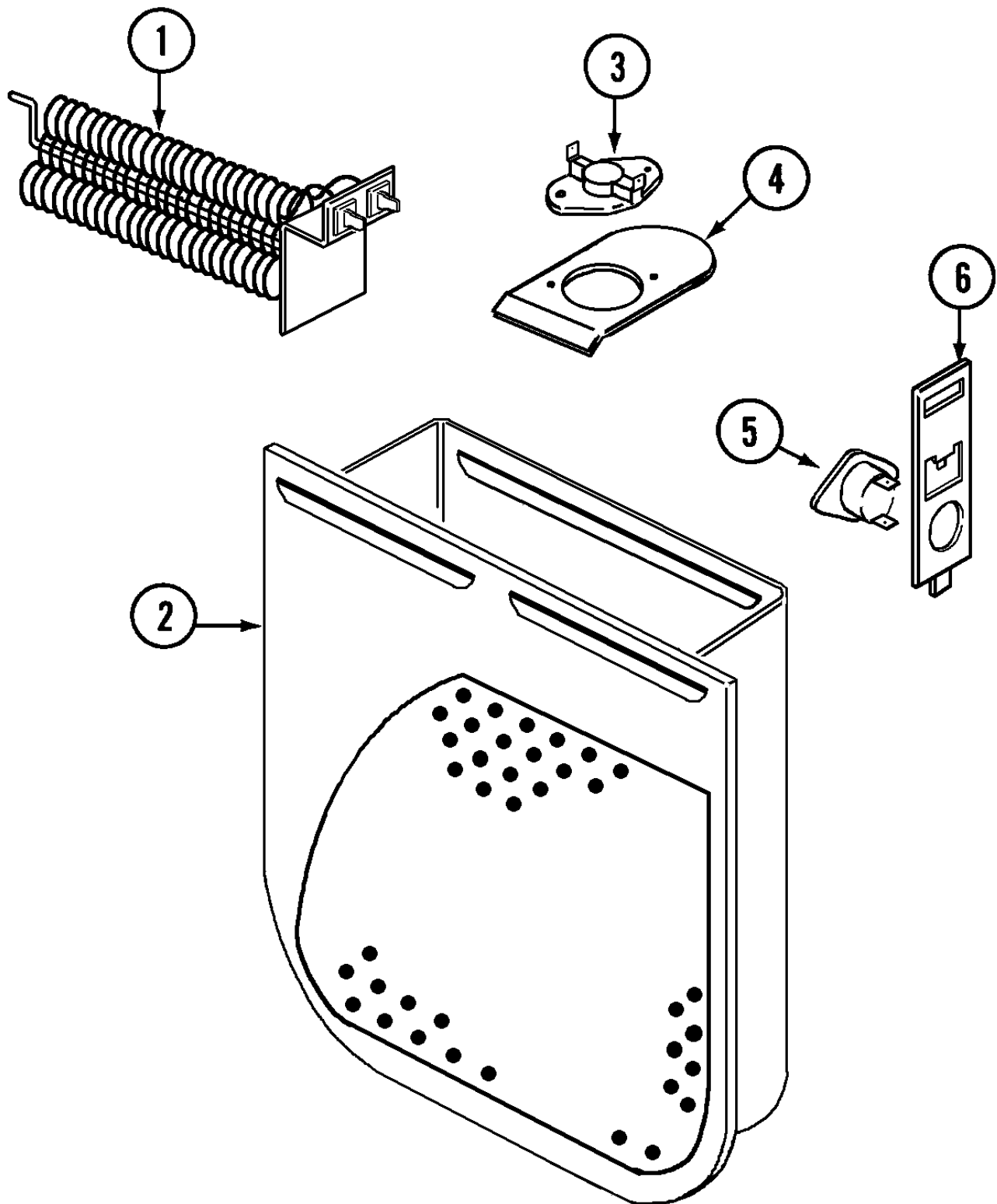
Section: DOOR

No.	Part No.	Description	Series	Qty
1	53-0726	PANEL, FRONT (WHT)	10	1
2	53-0120	CLIP, FRONT PANEL	10	2
3	31001526	LOCK, TOP	10	1
4	33-2653	BUMPER, CABINET	10	4
5	31001541	SEAL, BLOWER/COLLECTOR DUCT	10	1
6	12001324	DUCT KIT, COLLECTOR	10	1
-	25-7810	SCREW 8-18X1/2 TRUSS H	10	2
7	53-0204	SEAL	10	1
8	LA-1005	SWITCH KIT (INCL. 23 & 24)	10	1
9	53-0918	FILTER, LINT	10	1
10	53-0281	SEAL ASSY (WHITE)	10	1
-	25-7752	SCREW, 8-18X3/8 TYAB BUT	10	4
11	53-0154	PANEL, OUTER DOOR (WHT)	10	1
12	53-0912	PANEL, INNER DOOR (WHT)	10	1
13	53-0119	CLIP, HINGE	10	2
14	53-1490	DOOR PAD	10	1
15	53-1491	DOOR PAD	10	2
16	31001529	SEAL, DOOR	10	1
17	25-7889	PLUG BUTTON	10	1
18	53-0927	HANDLE, DOOR (WHT)	10	1
-	25-7810	SCREW 8-18X1/2 TRUSS H	10	2
-	25-7809	SCREW, #6-20 1/2 FLTHD TORX	10	4
19	53-1492	HINGE, DRYER DOOR	10	2
20	53-0121	TWIN NUT	10	2
-	31001786	SCREW, 8-18X1/2 TORX T10	10	4
21	53-2364	STRIKE, DOOR	10	1
22	53-0187	CATCH, DOOR	10	1
23	53-0148	SWITCH, DOOR	10	1
24	31001319	CLIP, SWITCH	10	1

*Color Code (-)=Not Shown #=Series, Serial Prefix or Run No., N=Not Available

Section: HEATER

Model: HYE3657AYW



LD15-10

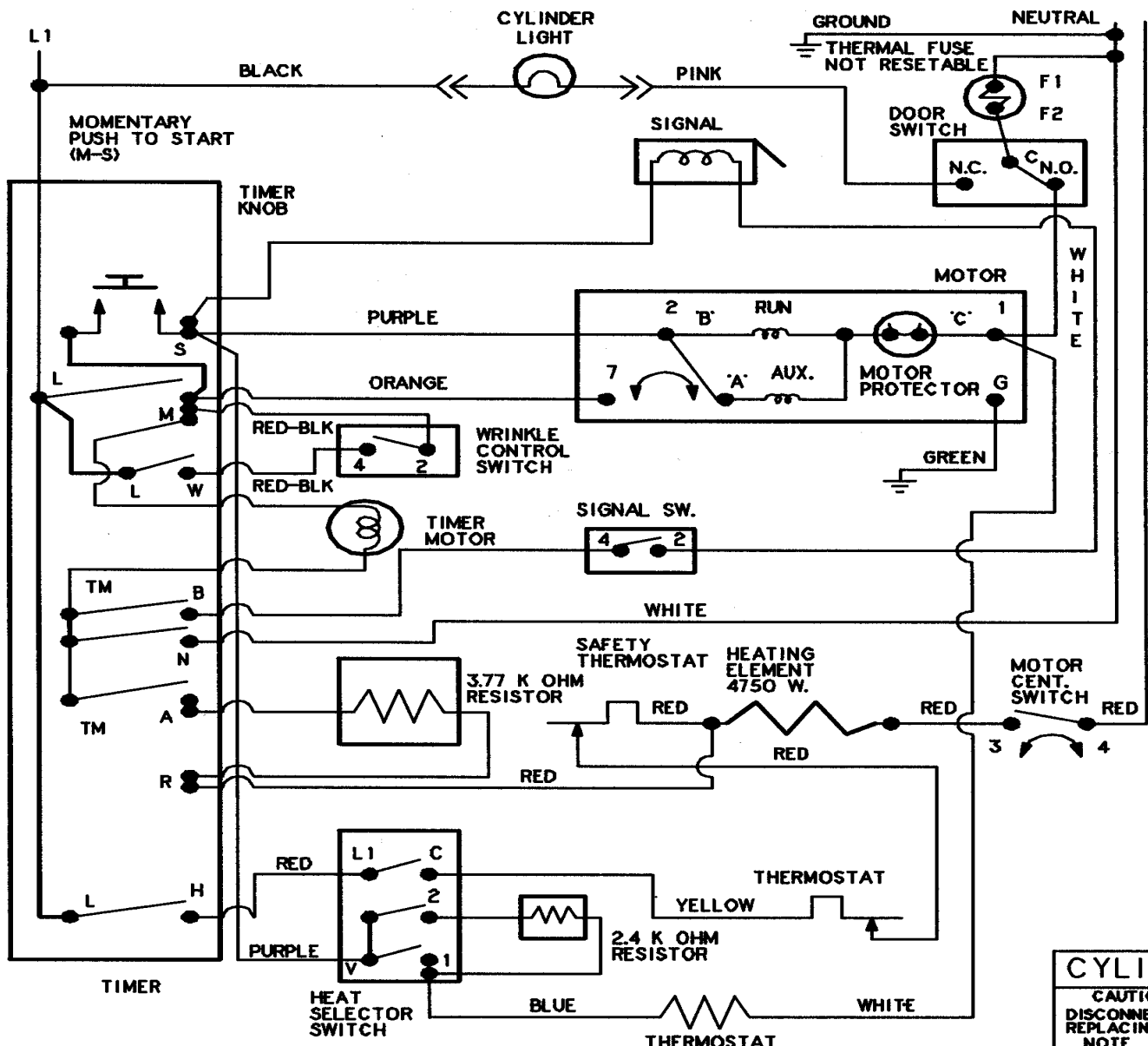
Section: HEATER

No.	Part No.	Description	Series	Qty
1	31001499	ELEMENT, HEATING (4750W)	10	1
-	25-7863	SCREW	10	1
2	53-1232	HEATER HOUSING ASSEMBLY	10	1
3	53-0771	THERMOSTAT, HI-LIMIT	10	1
4	53-0285	BRACKET, THERMOSTAT	10	1
-	25-6121	SCREW	10	2
5	53-1182	FUSE, THERMAL	10	1
6	53-1181	BRACKET, THERMAL FUSE	10	1

*Color Code (-)=Not Shown #=Series, Serial Prefix or Run No., N=Not Available

Section: WIRING INFORMATION (SERIES 15 ELEC)

Model: HYE3657AYW



CYLINDER LIGHT
 CAUTION
 DISCONNECT
 REPLACING
 NOTE
 ROTATE BU
 VERTICAL P
 BEFORE RE
 REPLACE W
 PART NO. 5
 EQUIVALEN

CONNECT DRYER TO 120/240 V.A.C. 60 HZ. INDIVIDUAL BRANCH CIRCUIT PROTECTED BY MAXIMUM 30 A. FUSES. ALWAYS GIVE THE SERIAL & MODEL NUMBERS WHEN WRITING ABOUT THIS DRYER OR ORDERING PARTS

TIMER SEQUENCE							HEAT SELECTOR SWITCH			WRIN					
TIMER-ROTATES 1.33 PER MINUTE							POSITION	CONTACTS		PO					
	O F F	AUTO REGULAR	O F F	AUTO PERM. PRESS	WRINKLE OUT	O F F	FLUFF								
TM-B	II					II	LOW	V-1, L1-C							
L-H							MEDIUM	L1-C, V-2							
TM-A							HIGH	L1-C							
L-W															
TM-N															
L-M															
M-S							MOTOR WIRING CODE								
							MOTOR	A	B	C					
							EMERSON	RED	YELLOW	BLUE					
MIN.	0	15	25.5	0	16.5	30	50	79	89	0	30	60	90	109	119.5

15003591

Section: WIRING INFORMATION (SERIES 15 ELEC)

No.	Part No.	Description	Series Qty
-	N 15003591	WIRING INFORMATION	15 1

*Color Code (-)=Not Shown #=Series, Serial Prefix or Run No., N=Not Available

Free Manuals Download Website

<http://myh66.com>

<http://usermanuals.us>

<http://www.somanuals.com>

<http://www.4manuals.cc>

<http://www.manual-lib.com>

<http://www.404manual.com>

<http://www.luxmanual.com>

<http://aubethermostatmanual.com>

Golf course search by state

<http://golfingnear.com>

Email search by domain

<http://emailbydomain.com>

Auto manuals search

<http://auto.somanuals.com>

TV manuals search

<http://tv.somanuals.com>