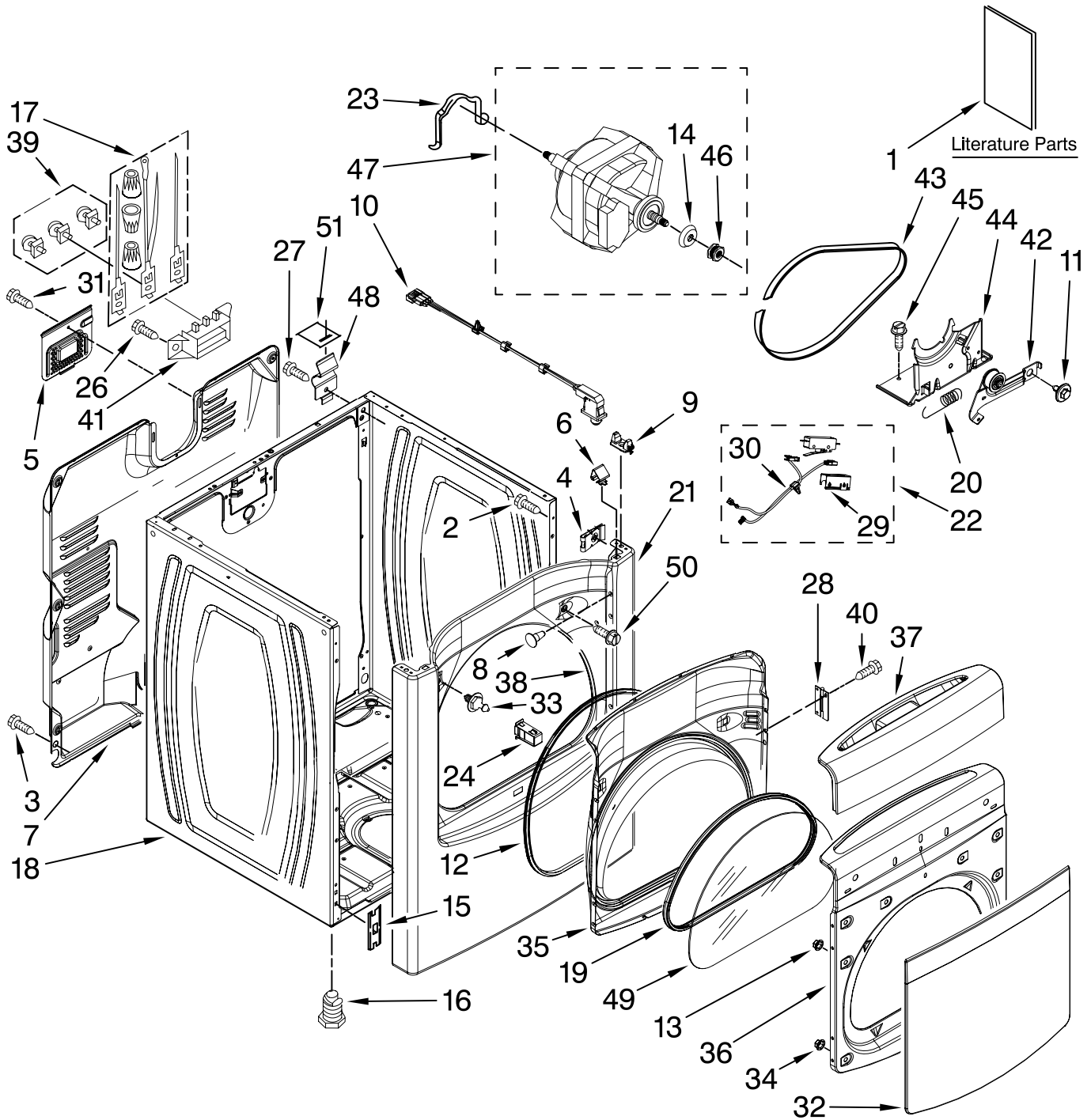


CABINET PARTS

For Model: MED6400TQ0, MED6400TB0
(White) (Black)

29" ELECTRIC DRYER



FOR ORDERING INFORMATION REFER TO PARTS PRICE LIST

CABINET PARTS

For Model: MED6400TQ0, MED6400TB0
(White) (Black)

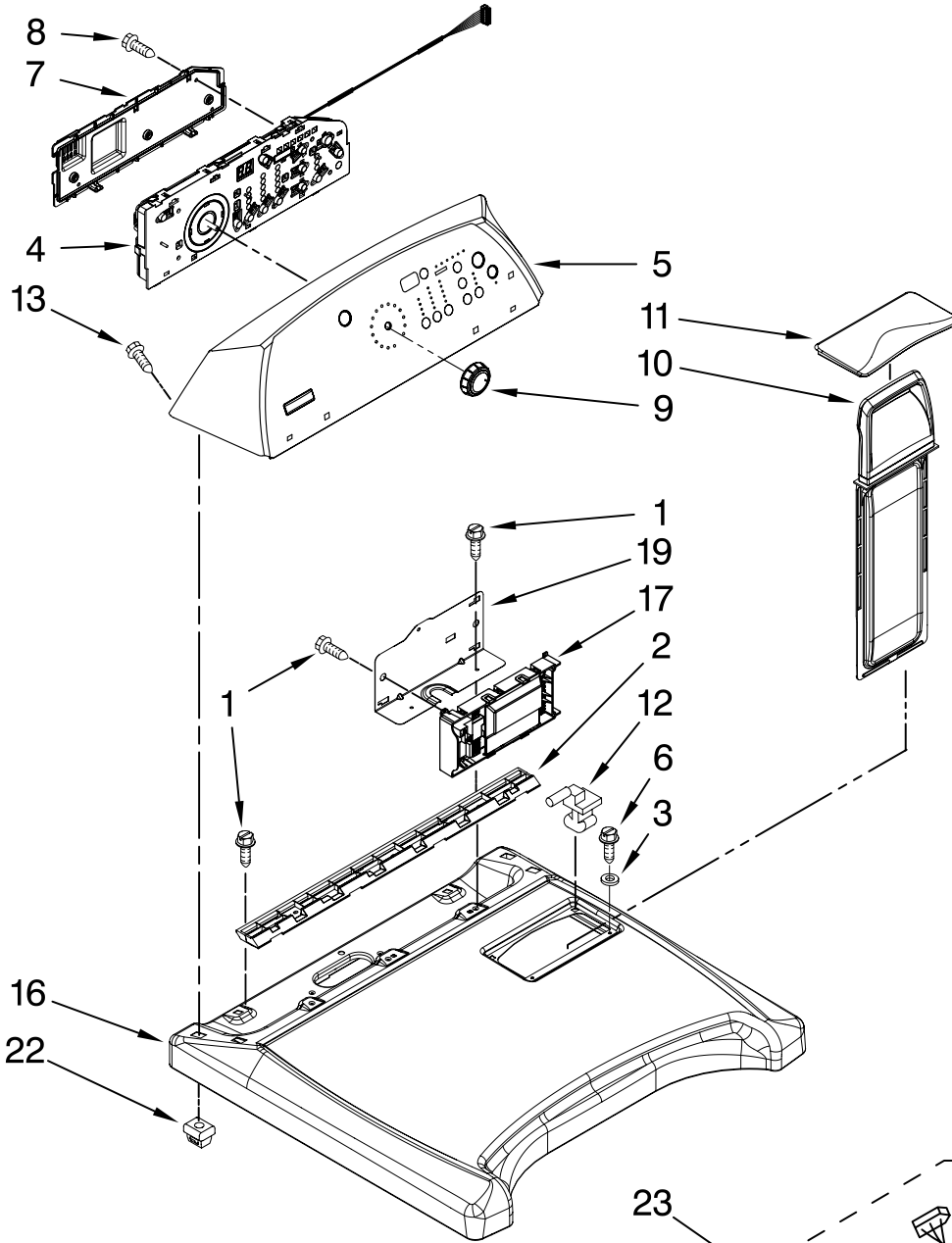
| Illus. No. | Part No. | DESCRIPTION | Illus. No. | Part No. | DESCRIPTION | Illus. No. | Part No. | DESCRIPTION |
|------------|-----------|---|------------|-----------|--|------------|-----------|---|
| 1 | | Literature Parts | 17 | 279318 | Terminal, Tinned & Brass (3) (Includes Illus. 39) | 33 | 8572983 | Strike, Door |
| | W10114194 | Tech Sheet | | | | 34 | 308499 | Palnut (10) |
| | W10114206 | Guide, Quick Start | 18 | | Cabinet | 35 | | Door Inner |
| | W10088777 | Use & Care Guide | | 8557569 | White | | 8565037 | White |
| 2 | 343641 | Screw, 10-16 x 1/2 | | W10045390 | Black | 36 | 8575052 | Grey |
| 3 | 693995 | Screw, 8-18 x 3/8 | 19 | W10076060 | Gasket, Inner Door | | 8565042 | White |
| 4 | W10007520 | Clip, Ground (2) | 20 | 3387374 | Spring, Idler | | 8575025 | Black |
| 5 | W10110241 | Cover, Block | 21 | | Panel, Front | 37 | | Door Handle |
| 6 | 8576625 | Lock-Top Front (2) | | 8565029 | White | | W10050120 | White |
| 7 | 8558830 | Panel, Rear | | 8565032 | Black | | W10050100 | Black |
| 8 | | Plug-Hole | 22 | 8566208 | Switch Assembly | 38 | W10044490 | Seal, Front Panel |
| | 3404413 | White | 23 | 660658 | Clamp, Motor | 39 | 279393 | Terminal Block Kit (For Terminal Block) |
| | 3404416 | Black | 24 | 8572982 | Catch, Door Assembly | 40 | 342055 | Screw, 10-32 x 5/8 |
| 9 | 8568303 | Locator, Snap Down | 26 | 3393008 | Screw, 10-16 x 1/2 | 41 | 3397659 | Block, Terminal |
| 10 | 3978977 | Door Switch Assembly | 27 | 3390631 | Screw, 8-18 x 1/2 | 42 | 8547174 | Pulley Assembly |
| 11 | 3389420 | Retainer, Idler | 28 | | Hinge, Assembly | 43 | 8547168 | Belt, Drive |
| 12 | 8575027 | Seal, Door | | 8565018 | White | 44 | 8547166 | Base, Motor |
| 13 | 342055 | Pal Nut (4) | | W10050090 | Black | 45 | W10002600 | Bolt, 6-20 x 1 1/4 |
| 14 | 8578538 | Restrainer, Belt | 29 | 8564011 | Bracket, Switch | 46 | 8578565 | Pulley, 60 HZ |
| 15 | 3394083 | Clip, Front Panel (2) | 30 | 8539897 | Belt-Switch Jumper | 47 | 8566152 | Motor Assembly 60 HZ. |
| 16 | 3392100 | Foot, Dryer | 31 | 8533974 | Screw Ground | 48 | 238088 | Hinge, Top (2) |
| | 279810 | Foot-Optional (Extended Length Package of 2) (Not Included) | 32 | | Window, Outer Door | 49 | 8565015 | Glass, Inner Door |
| | | | | W10116398 | White | 50 | W10100830 | Screw, 10-16 x 3/64 |
| | | | | 8575049 | Black | 51 | 18849 | Pad-Top Hinge |

FOR ORDERING INFORMATION REFER TO PARTS PRICE LIST

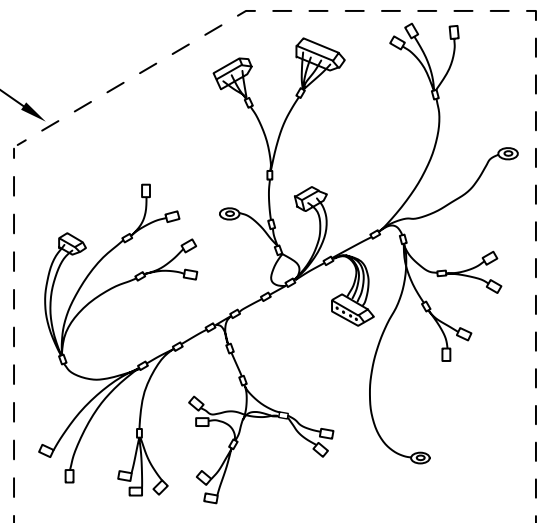
TOP AND CONSOLE PARTS

For Model: MED6400TQ0, MED6400TB0

(White) (Black)

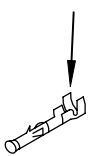


23

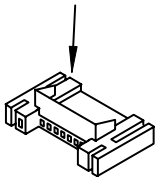


WIRING HARNESS PARTS

26



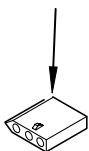
15



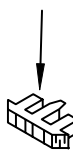
18



27



25



FOR ORDERING INFORMATION REFER TO PARTS PRICE LIST

TOP AND CONSOLE PARTS

For Model: MED6400TQ0, MED6400TB0
(White) (Black)

| Illus. No. | Part No. | DESCRIPTION |
|------------|-----------|--------------------------------|
| 1 | 337686 | Screw |
| 2 | 8558863 | Bracket, Console |
| 3 | 237446 | Washer (Top/Chute) |
| 4 | W10051096 | User Interface |
| 5 | | Panel, Console |
| | W10120084 | White |
| | W10120085 | Black |
| 6 | 3196537 | Screw, 8-18 x 5/8 |
| 7 | 8564265 | Cover, Rear |
| 8 | W10003770 | Screw, 6-19 x 3/64 |
| 9 | W10110196 | Knob, Assembly |
| 10 | 8572270 | Assembly, Lint Screen |
| 11 | | Cover, Lint Screen |
| | W10044320 | White |
| | W10044360 | Black |
| 12 | W10044470 | Hinge, R.H. |
| | W10044480 | Hinge, L.H. |
| 13 | W10001580 | Screw |
| 15 | 3395683 | Connector (Motor) |
| 16 | | Top |
| | 8565025 | White |
| | 8565028 | Black |
| 17 | W10111609 | Control, Electronic |
| 18 | 3394427 | Clip-Harness |
| 19 | 8563853 | Bracket, Machine Controller |
| 22 | 8558853 | Grommet |
| 23 | 8299914 | Harness Wiring |
| 25 | 3936144 | Connector |
| 26 | 94614 | Terminal |
| 27 | 3397269 | Connector, Timer |

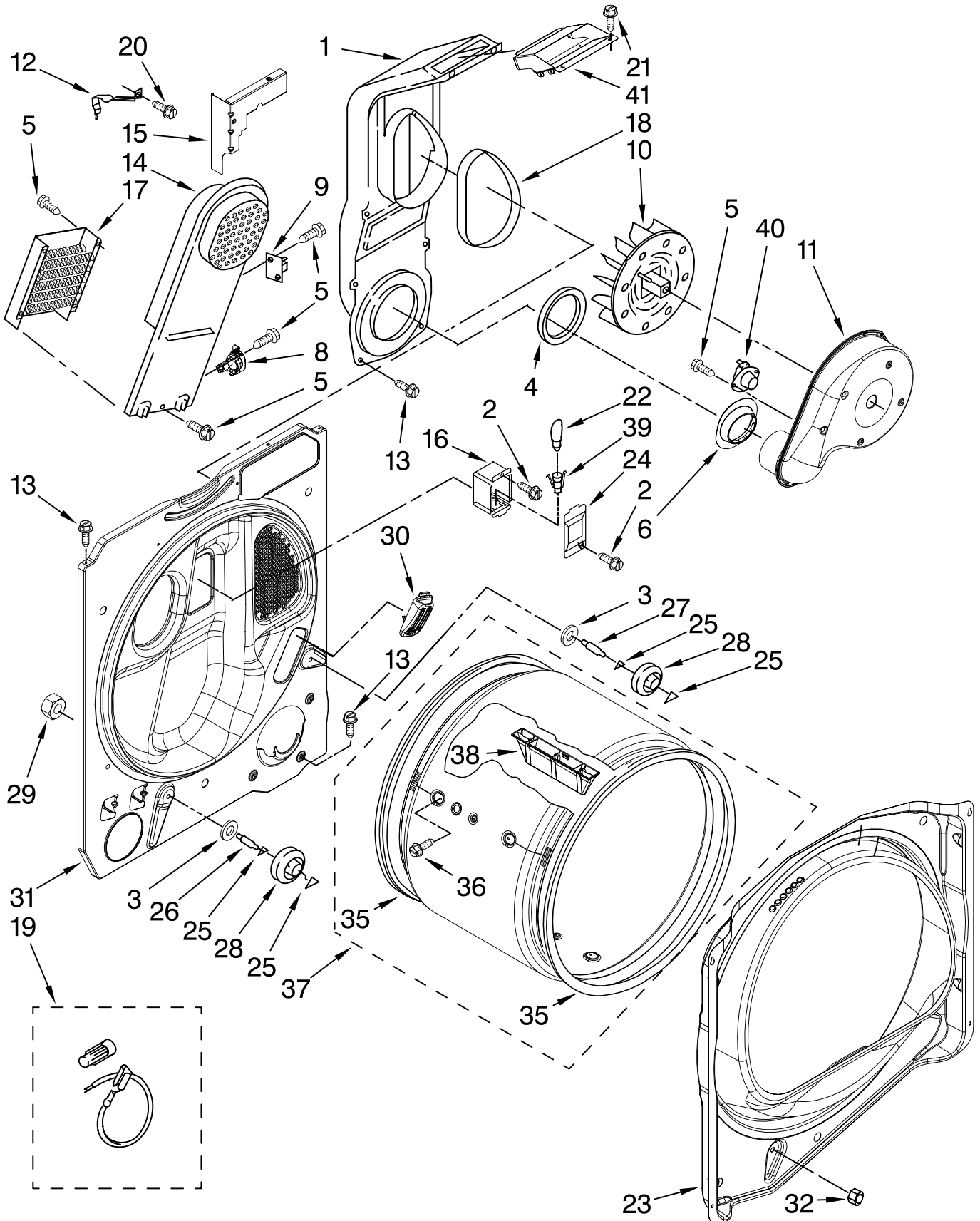
FOR ORDERING INFORMATION REFER TO PARTS PRICE LIST

BULKHEAD PARTS

For Model: MED6400TQ0, MED6400TB0

(White)

(Black)



FOR ORDERING INFORMATION REFER TO PARTS PRICE LIST

BULKHEAD PARTS

For Model: MED6400TQ0, MED6400TB0

(White) (Black)

| Illus. No. | Part No. | DESCRIPTION |
|-------------------|-----------------|---|
| 1 | 8544805 | Lint Chute Assembly |
| 2 | 487909 | Screw, 8-15 x 1/2 |
| 3 | 3387459 | Washer-Support |
| 4 | 347139 | Seal, Lint Chute |
| 5 | 90767 | Screw, 8-18 x 3/8 |
| 6 | 8573836 | Shield, Exhaust |
| 8 | 8566498 | Thermostat, HI-Limit |
| 9 | W10169881 | Kit, Thermal Cut-Off (Includes Illus. 8) |
| 10 | 694089 | Wheel, Blower |
| 11 | 8577230 | Housing, Blower |
| 12 | 8546149 | Clip-Heater Box |
| 13 | 343641 | Screw, 10-16 x 1/2 |
| 14 | 8544801 | Box, Heater |
| 15 | W10053480 | Bracket, Lint Chute |
| 16 | 3977373 | Bracket, Drum Light |
| 17 | 8573069 | Element, Heater |
| 18 | 8544813 | Seal |
| 19 | 279457 | Wire Kit, Terminal (For Heater Element Wiring Harness Repair) |
| 20 | 489463 | Screw, 8-18 x 5/8 |
| 21 | 3196537 | Screw |
| 22 | 3406126 | Bulb |
| 23 | 8558890 | Bulkhead, Front |
| 24 | 3402841 | Lens, Drum Light |
| 25 | 690997 | Ring Tri |
| 26 | 8575325 | Shaft, (L.H.) |
| 27 | 8575324 | Shaft, (R.H.) |
| 28 | 8536973 | Roller, Support |
| 29 | W10001120 | Nut, 3/8-16 |
| 30 | 8576468 | Assembly, Sensor |
| 31 | 8557242 | Bulkhead, Rear |
| 32 | 3934666 | Nut 3/8-16 (R.H.) |
| 35 | 8557277 | Seal Drum (2) |
| 36 | W10109200 | Screw, 11-16 x 3/4 |
| 37 | 8557270 | Drum, Assembly |
| 38 | 8565688 | Baffle, Drum (3) |
| 39 | 3403634 | Socket Assembly |
| 40 | 8577274 | Thermistor |
| 41 | 8544810 | Collar, Lint Chute |

FOR ORDERING INFORMATION REFER TO PARTS PRICE LIST

OPTIONAL PARTS (NOT INCLUDED)

For Model: MED6400TQ0, MED6400TB0
(White) (Black)

| Illus. | Part | |
|---------------|-------------|--------------------|
| No. | No. | DESCRIPTION |

ACCESSORY PARTS

| | |
|-----------|----------------------------|
| 279948 | Kit, Dryer Repair |
| W10071550 | Dry Rack |
| 8522199 | Kit, Dryer Vent Testing |

PAINT, TOUCH-UP (1/2oz.)

| | |
|---------|---------|
| 72017 | White |
| 4392899 | Biscuit |
| 72032 | Black |

PAINT, PRESSURIZED SPRAY (12 oz.)

| | |
|---------|--------------|
| 350930 | White |
| 4392901 | Biscuit |
| 285006 | Black |
| 350938 | Primer, Gray |

PAINT, BULK (1 qt.)

| | |
|--------|---------------|
| 799344 | White (Uncut) |
|--------|---------------|

FOR ORDERING INFORMATION REFER TO PARTS PRICE LIST

Free Manuals Download Website

<http://myh66.com>

<http://usermanuals.us>

<http://www.somanuals.com>

<http://www.4manuals.cc>

<http://www.manual-lib.com>

<http://www.404manual.com>

<http://www.luxmanual.com>

<http://aubethermostatmanual.com>

Golf course search by state

<http://golfingnear.com>

Email search by domain

<http://emailbydomain.com>

Auto manuals search

<http://auto.somanuals.com>

TV manuals search

<http://tv.somanuals.com>