



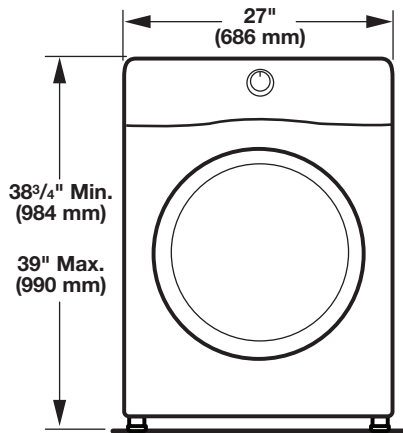
# Gas Dryer

## PRODUCT MODEL NUMBERS

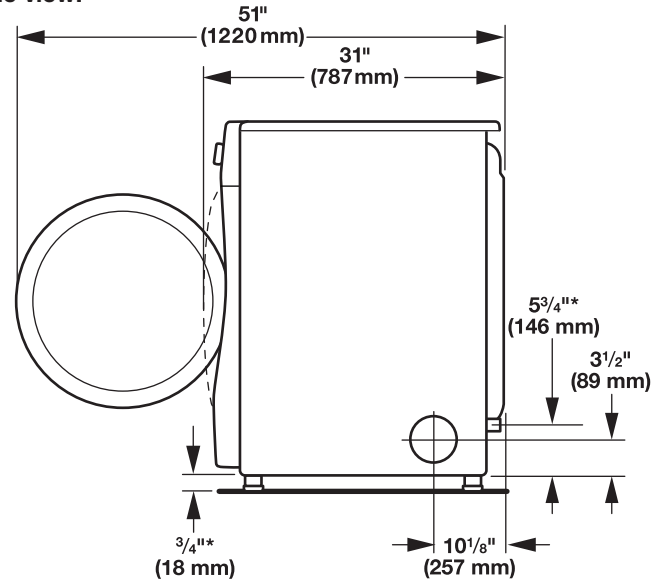
MGD3000B, MGD4000B, MGD4200B,  
MGD6000A, MGD7000A, MGD8000A

### DRYER DIMENSIONS

Front view:

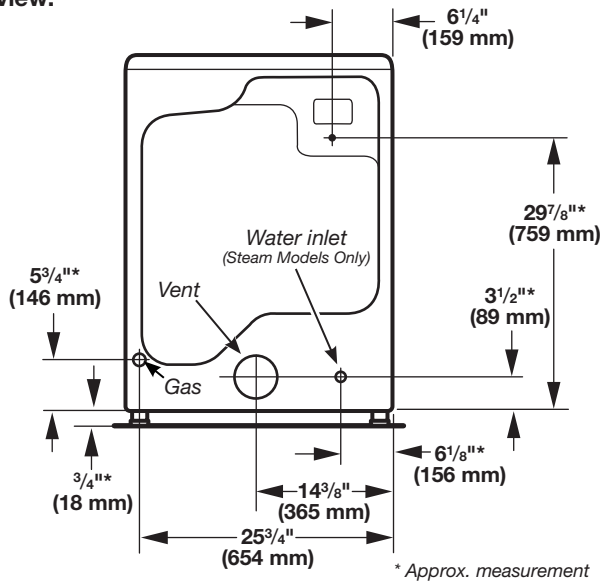


Side view:



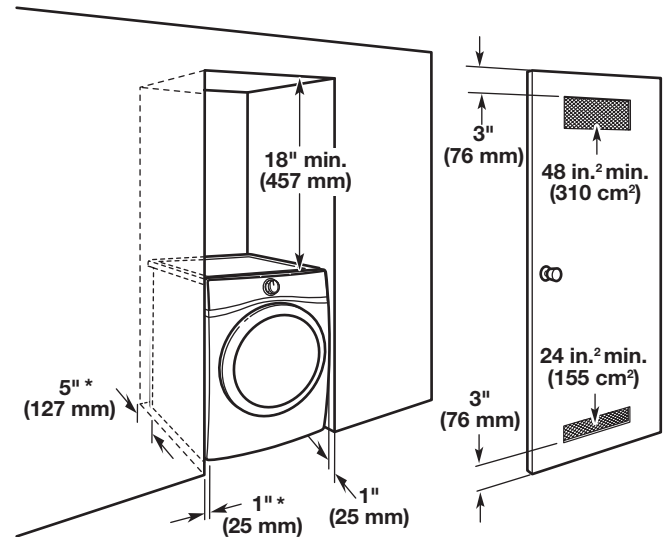
\* Approx. measurement

Back view:



\* Approx. measurement

### Recommended installation clearances (dryer only):



\* 0" (0 mm) spacing is allowed.

**NOTE:** Most installations require a minimum of 5" (127 mm) clearance behind dryer for exhaust vent with elbow. See "Venting Requirements."

### Installation spacing for recessed area or closet installation

All dimensions show recommended and minimum spacing allowed.

- Additional spacing should be considered for ease of installation and servicing.
- Additional clearances might be required for wall, door, floor moldings, dryer venting, and gas line.
- Additional spacing should be considered on all sides of the dryer to reduce noise transfer.
- For closet installation, with a door, minimum ventilation openings in the top and bottom of the door are required. Louvered doors with equivalent ventilation openings are acceptable.
- Companion appliance spacing should also be considered.

W1057370B  
10/2013

# INSTALLATION REQUIREMENTS

## GAS SUPPLY REQUIREMENTS

**Gas supply:** This dryer is equipped for use with Natural gas. Dryer can be converted to L.P. gas. When rigid pipe is used it should be 1/2" IPS. When acceptable to the gas supplier and local codes, 3/8" approved tubing may be used for lengths under 20 ft (6.1 m). For lengths over 20 ft (6.1 m), larger tubing should be used. Pipe-joint compounds resistant to the action of L.P. gas must be used. An individual manual shutoff valve must be installed within 6 ft (1.8 m) of the dryer in accordance with the National Fuel Gas Code ANSI Z223.1.

## ELECTRICAL REQUIREMENTS

A 120-volt, 60 Hz, AC-only, 15 or 20 amp fused electrical supply is required. A time-delay fuse or circuit breaker and a separate circuit are recommended.

## WATER (STEAM MODELS ONLY) REQUIREMENTS

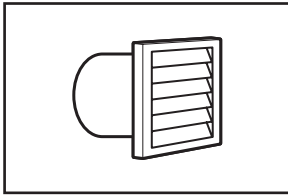
The dryer must be connected to the cold water faucet using new inlet hoses. Do not use old hoses. Do not overtighten. Damage to the coupling can result.

## VENTING REQUIREMENTS

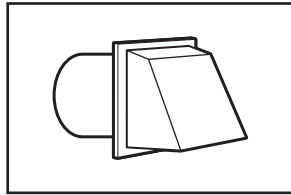
**Exhaust venting:** Exhaust your dryer to the outside. 4" (102 mm) diameter vent is required. Rigid or flexible metal exhaust vent must be used. Do not use plastic or metal foil vet. Exhaust hood must be at least 12" (305 mm) from the ground or any object that may be in the path of the exhaust.

### Exhaust hoods:

#### Recommended Styles:

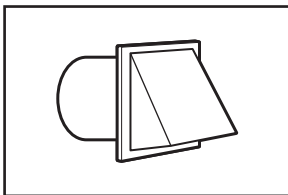


Louvered Hood



Box Hood

#### Acceptable Style:



Angled Hood

### Determine vent path:

- Select route that will provide straightest and most direct path outdoors.
- Plan installation to use fewest number of elbows and turns.
- When using elbows or making turns, allow as much room as possible.
- Bend vent gradually to avoid kinking.
- Use as few 90° turns as possible.

### Determine vent length and elbows needed for best drying performance:

- Use the "Vent System Charts" on the next page to determine type of vent material and hood combinations acceptable to use.

**NOTE:** Do not use vent runs longer than those specified in "Vent System Charts."

Exhaust systems longer than those specified will:

- Shorten life of dryer.
- Reduce performance, resulting in longer drying times and increased energy usage.

### Standard Vent System Chart

Number of 90° elbows	Type of vent	Angled hoods
0	Rigid metal	64 ft. (20 m)
1	Rigid metal	54 ft. (16.5 m)
2	Rigid metal	44 ft. (13.4 m)
3	Rigid metal	35 ft. (10.7 m)
4	Rigid metal	27 ft. (8.2 m)

## Free Manuals Download Website

<http://myh66.com>

<http://usermanuals.us>

<http://www.somanuals.com>

<http://www.4manuals.cc>

<http://www.manual-lib.com>

<http://www.404manual.com>

<http://www.luxmanual.com>

<http://aubethermostatmanual.com>

Golf course search by state

<http://golfingnear.com>

Email search by domain

<http://emailbydomain.com>

Auto manuals search

<http://auto.somanuals.com>

TV manuals search

<http://tv.somanuals.com>