

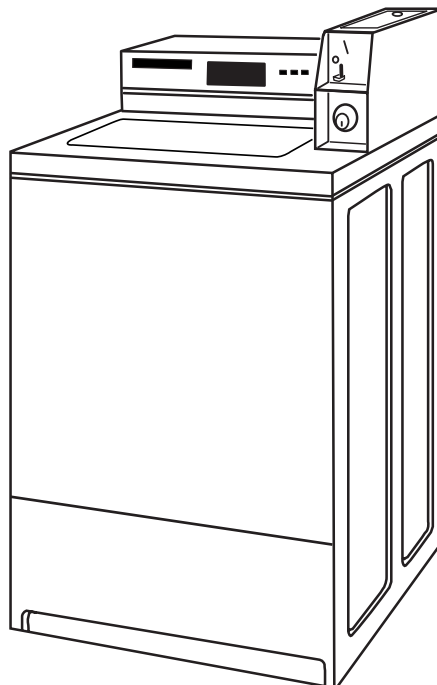


COMMERCIAL WASHER INSTALLATION INSTRUCTIONS
220-240-VOLT, 50-HZ MODELS

INSTRUCTIONS D'INSTALLATION
DU LAVE-LINGE COMMERCIAL
MODÈLES 220-240 V, 50 HZ

LAVADORA COMERCIAL INSTRUCCIONES DE INSTALACIÓN
MODELOS DE 220 Y 240 VOLTIOS, 50 HZ

LAVATRICE COMMERCIALE ISTRUZIONI D'INSTALLAZIONE
MODELLI A 220-240 V, 50 HZ



MAT14PD

Table of Contents

| | | | |
|--|----------|--|-----------|
| WASHER SAFETY | 3 | INSTALLATION INSTRUCTIONS | 6 |
| WASHER DISPOSAL | 3 | Remove Shipping Strap | 6 |
| INSTALLATION REQUIREMENTS | 4 | Connect the Hoses | 6 |
| Tools and Parts | 4 | Level the Washer..... | 7 |
| Location Requirements | 4 | Complete Installation | 8 |
| Drain System..... | 5 | Operating Tips | 8 |
| Electrical Requirements | 5 | ELECTRONIC CONTROLS SETUP | 9 |
| | | WARRANTY | 13 |

Table des matières

| | | | |
|--|-----------|--|-----------|
| SECURITE DU LAVE-LINGE | 14 | INSTRUCTIONS D'INSTALLATION | 17 |
| ÉLIMINATION DU LAVE-LINGE | 14 | Enlever la sangle d'expédition | 17 |
| EXIGENCES D'INSTALLATION | 15 | Raccordement des tuyaux | 17 |
| Outillage et pièces..... | 15 | Réglage de l'aplomb du lave-linge..... | 18 |
| Exigences d'emplacement..... | 15 | Achever l'installation | 19 |
| Système de vidange..... | 16 | Conseils d'utilisation | 19 |
| Spécifications électriques | 16 | PARAMÉTRAGE DES COMMANDES ÉLECTRONIQUES | 20 |
| | | GARANTIE | 25 |

Índice

| | | | |
|---|-----------|---|-----------|
| SEGURIDAD DE LA LAVADORA | 26 | INSTRUCCIONES DE INSTALACIÓN | 29 |
| ELIMINACIÓN DE LA LAVADORA | 26 | Cómo quitar la correa de embalaje..... | 29 |
| REQUISITOS DE INSTALACIÓN | 27 | Conecte las mangueras | 29 |
| Piezas y herramientas | 27 | Nivelación de la lavadora | 30 |
| Requisitos de ubicación..... | 27 | Complete la instalación | 31 |
| Sistema de desagüe | 28 | Consejos para el funcionamiento..... | 31 |
| Requisitos eléctricos..... | 28 | PROGRAMACIÓN DE LOS CONTROLES | |
| | | ELECTRÓNICOS | 32 |
| | | GARANTIA | 37 |

Sommario

| | | | |
|---|-----------|---|-----------|
| SICUREZZA DELLA LAVATRICE | 38 | ISTRUZIONI D'INSTALLAZIONE | 41 |
| L'ELIMINAZIONE DELLA LAVATRICE | 38 | Rimozione delle fascette d'imballaggio | 41 |
| REQUISITI D'INSTALLAZIONE | 39 | Collegamento dei tubi | 41 |
| Attrezzi e componenti | 39 | Livellamento della lavatrice..... | 42 |
| Requisiti di posizionamento | 39 | Installazione completa | 43 |
| Sistema di scarico..... | 40 | Suggerimenti operativi | 43 |
| Requisiti elettrici..... | 40 | CONFIGURAZIONE DEI CONTROLLI ELETTRONICI | 44 |
| | | GARANZIA | 52 |

WASHER SAFETY

Your safety and the safety of others are very important.

We have provided many important safety messages in this manual and on your appliance. Always read and obey all safety messages.



This is the safety alert symbol.

This symbol alerts you to potential hazards that can kill or hurt you and others.

All safety messages will follow the safety alert symbol and either the word "DANGER" or "WARNING."

These words mean:

 **DANGER**

You can be killed or seriously injured if you don't immediately follow instructions.

 **WARNING**

You can be killed or seriously injured if you don't follow instructions.

All safety messages will tell you what the potential hazard is, tell you how to reduce the chance of injury, and tell you what can happen if the instructions are not followed.

WASHER DISPOSAL



This appliance is marked according to the European directive 2002/ 96/ EC on Waste Electrical and Electronic Equipment (WEEE).

By ensuring this product is disposed of correctly, you will help avoid potential negative consequences for the environment and human health, which could otherwise be caused by inappropriate waste handling of this product.

The symbol on the product, or on the documents accompanying the product, indicates that this appliance may not be treated as household waste. Instead it shall be handed over to the applicable collection point for the recycling of electrical and electronic equipment.

Disposal must be carried out in accordance with local environmental regulations for waste disposal.

For more detailed information about treatment, recovery and recycling of this product, please contact your local city office, your household waste disposal service or the shop where you purchased the product.

INSTALLATION REQUIREMENTS

Tools and Parts

Gather the required tools and parts before starting installation.

Tools needed

- Level
- Utility knife
- Scissors
- 200 mm (8") or 250 mm (10") adjustable wrench
- Flat-blade screwdriver
- Pliers
- Bucket

Parts supplied

Remove parts bag from washer. Check that all parts were included.

- 1 Hose clamp
- 2 Inlet hoses
- 4 Flat water hose washers
- 2 Front-leveling legs with nuts
- 1 Drain hose
- Hose adapter

| Technical Specifications: | Clothes Capacity: |
|---------------------------|----------------------|
| 220 – 240 V, 50 Hz. AC | MAT14PD: 5.9 Kg Max. |
| 650 Watts | |

Location Requirements

IMPORTANT: Do not install or store the washer where it will be exposed to the weather. Do not store or operate the washer in temperatures at or below 0°C (32°F). Some water can remain in the washer and can cause damage in low temperatures.

Proper installation is your responsibility.

You will need:

- A water heater set to deliver 60°C (140°F) water to the washer.
- An earthed electrical outlet located within 1.2 m (4 ft) of where the power cord is attached to the back of the washer. See "Electrical Requirements."
- Hot and cold water taps located within 1.2 m (4 ft) of the back of the washer, and provide water pressure of 69–690 kPa (10–100 psi). A pressure reduction valve should be used in the supply line where inlet pressure entering the building exceeds 690 kPa (100 psi) to prevent damage to the washer mixing valve.
- A level floor with a maximum slope of 25 mm (1") under entire washer.
- A sturdy floor to support the washer weight (washer, water, and load) of 143 kgs (315 lbs).
- A 300 mm (12") minimum riser to provide an air cushion and prevent noise and damage to valves for a single washer installation.
- A floor drain should be provided under the bulkhead. Prefabricated bulkheads with electrical outlets, water supply lines, and drain facilities should be used only where local codes permit.

NOTE: Front access to the pump area is available by removing No. T20 TORX®† security screws and then removing the front panel.

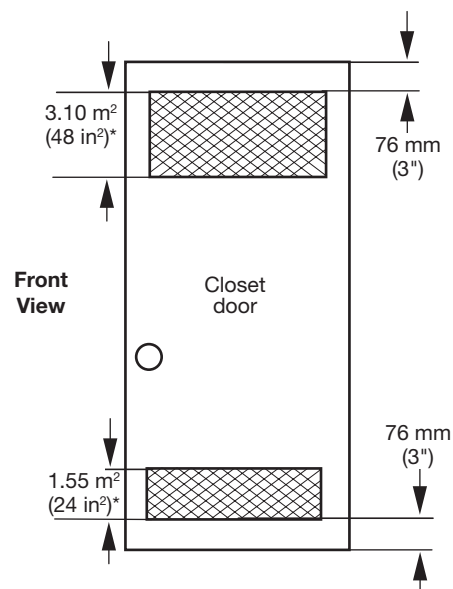
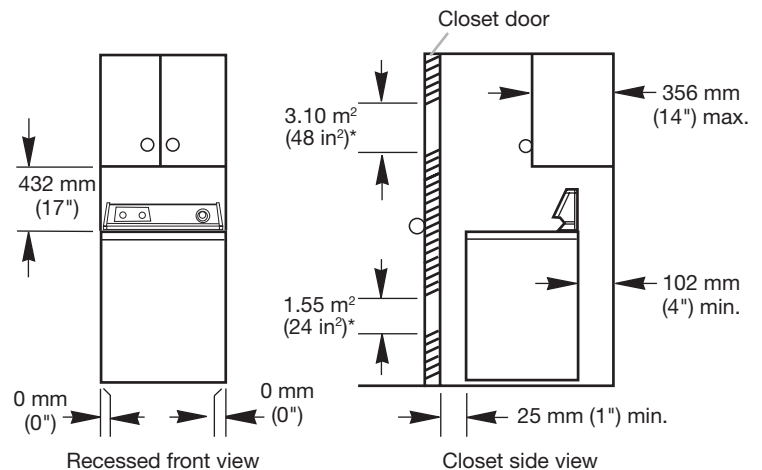
®† Torx is a registered trademark of Saturn Fasteners, Inc.

Recessed Area and Closet Installation Instructions

This washer may be installed in a recessed area or closet.

The installation spacing is in inches and is the minimum allowable. Additional spacing should be considered for ease of installation, servicing, and compliance with local codes and ordinances.

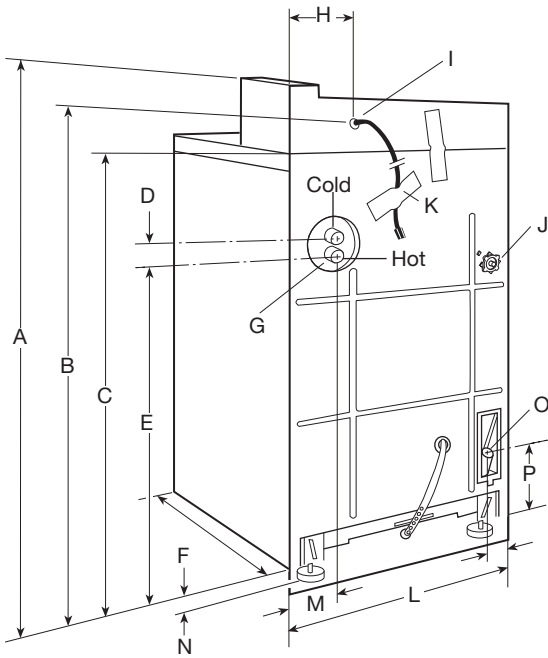
If closet door is installed, the minimum unobstructed air openings in the top and bottom are required. Louvered doors with equivalent air openings are acceptable.



*Opening is the minimum for a closet door. Louvered doors with equivalent air openings are acceptable.

- Additional spacing should be considered for the ease of installation and servicing.
- Additional clearances may be required for wall, door, and floor mouldings.
- Additional spacing of 25 mm (1") on all sides of the washer is recommended to reduce noise transfer.
- Companion spacing should also be considered.

Product Dimensions



| | |
|---------------------|---------------------------------|
| A. 1.09 m (43") | I. Power supply cord |
| B. 970 mm (38 1/8") | J. Drain hose connector |
| C. 890 mm (35") | K. Label |
| D. 38 mm (1 1/2") | L. 685 mm (27") |
| E. 705 mm (27 3/4") | M. 133 mm (5 1/4") |
| F. 650 mm (25 1/2") | N. 25 mm (1") |
| G. Water inlets | O. Water level switch and shaft |
| H. 180 mm (7") | P. 127 mm (5") |

Drain System

Standpipe Drain System

The standpipe drain requires a minimum diameter standpipe of 50 mm (2"). The minimum carry-away capacity can be no less than 64 L (17 gal.) per minute.

The top of the standpipe must be at least 990 mm (39") high and no higher than 1.83 m (72") from the bottom of the washer.

Electrical Requirements

⚠ WARNING



Electric Shock Hazard

Electrically earth this appliance.

Do not use an extension cord or an electrical portable outlet device.

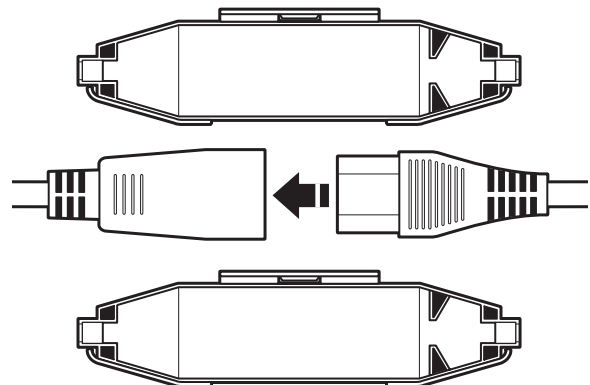
Failure to follow these instructions can result in death, fire, or electric shock.

- A 220–240 volt, 50 Hz., AC only, 10-amp, fused electric supply is required. A time-delay fuse or circuit breaker is recommended. It is recommended that a separate circuit serving only this appliance be provided.
- This washer is equipped with a power supply cord having an earthing plug. The plug should be accessible for disconnection from the supply.
- If the supply cord is damaged, it must be replaced by the manufacturer, its service agent, or similarly qualified persons in order to avoid a hazard.

Using the universal cord included with this washer:

This washer is equipped with a universal cord with interchangeable mains plugs.

1. Select the appropriate mains plug assembly from those supplied and attach it to the mains cord connector.
2. Snap the 2 halves of the cord lock together over the connector to retain it in position.



Recommended Earthing Method

EARTHING INSTRUCTIONS

This washer must be earthed. In the event of a malfunction or breakdown, earthing will reduce the risk of electric shock by providing a path of least resistance for electric current. This washer is equipped with a cord having an equipment-earthing conductor and an earthing plug. The plug must be plugged into an appropriate outlet that is properly installed and earthed in accordance with all local codes and ordinances.

WARNING: Improper connection of the equipment-earthing conductor can result in a risk of electric shock. Check with a qualified electrician or serviceman if you are in doubt as to whether the appliance is properly earthed.

Do not modify the plug provided with the appliance – if it will not fit the outlet, have a proper outlet installed by a qualified electrician.

INSTALLATION INSTRUCTIONS

Remove Shipping Strap

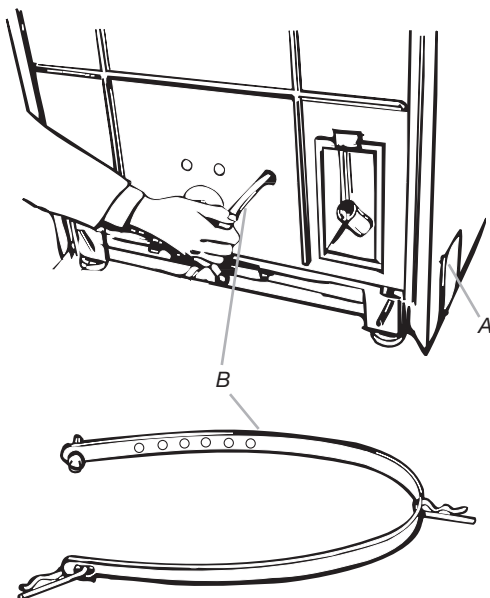
⚠ WARNING

Excessive Weight Hazard

Use two or more people to move and install washer.

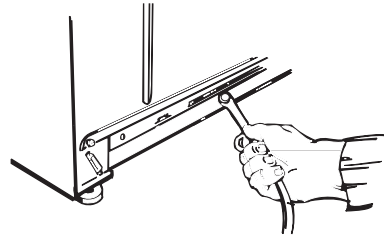
Failure to do so can result in back or other injury.

1. Remove tape that covers the shipping strap. Pull to completely remove the shipping strap with 2 cotter pins from the inside of the washer.



A. Shipping tape
B. Shipping strap

2. Pull firmly to remove the end of shipping strap from the back of the washer. The shipping strap plug must be completely removed from the washer for the self-leveling legs to be released.



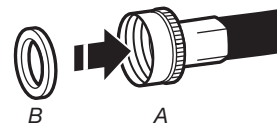
Save the shipping strap for later use.

Connect the Hoses

Proper connection of the drain hose avoids damage to your floors due to water leakage. Read and follow these instructions.

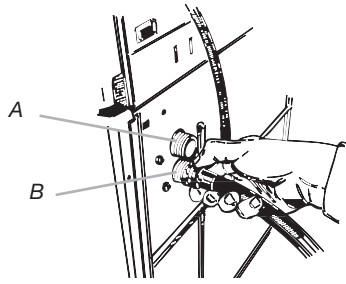
Connect the inlet hose

1. The washer must be connected to the water taps using the new inlet hoses supplied with the washer. Do not re-use old hoses. Insert new flat washers (supplied) into each end of the inlet hoses. Firmly seat the washers in the couplings.



A. Coupling
B. Washer

2. Attach hose to bottom inlet valve opening first.



A. Cold water inlet valve
B. Hot water inlet valve

3. Attach second hose to top inlet. Tighten couplings by hand; then use pliers to make an additional two-thirds turn.

NOTE: Inlet valve threads are plastic. Do not strip or cross-thread.

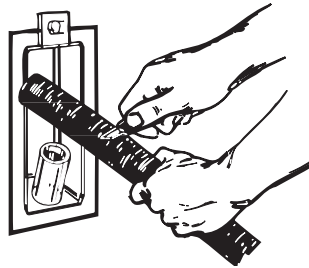
Connect the drain hose

NOTE: Slide washer onto cardboard or hardboard before moving across floor.

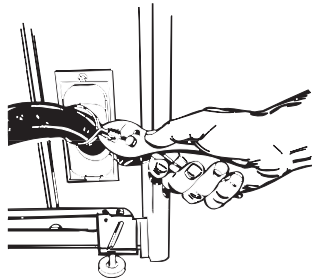
1. Move washer close to final position.
2. Put "hook" end of drain hose into laundry tub or standpipe.
3. Estimate the length of drain hose needed when washer is in final position. Hose must be cut exactly to length so "hook" end is held tightly over edge of standpipe.

If drain hose is too long, cut straight end of hose. (Do not cut the "hook" shaped end of the drain hose.)

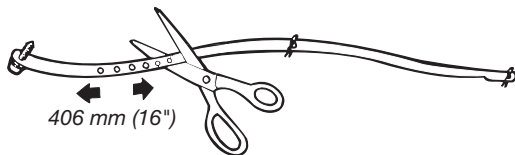
NOTE: Do not force excess length of drain hose down the standpipe. This could cause siphoning.



4. Place the hose clamp over the washer drain connector. Push the drain hose onto the washer connector. Use pliers to open clamp and slide clamp over drain hose. Check for good fit.

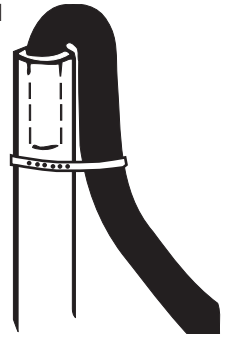


5. Measure and mark a point approximately 406 mm (16") from the plug end of the shipping strap. Cut shipping strap at this point.



6. Check that hose is not twisted or kinked and is securely in place.

Put "hook" end of drain hose into standpipe. Tightly wrap the shipping strap around the standpipe. Push plug into the nearest hole in the shipping strap.



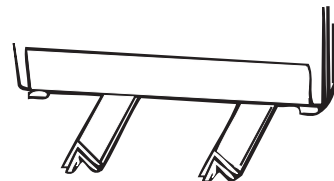
Connect the inlet hoses to the water taps

1. Before attaching water inlet hoses to the water taps, run water through both taps into a bucket. This will get rid of particles in water lines that might clog hoses. Mark which is the hot water tap.
2. Install a black plastic tap adapter on each inlet hose.
3. Attach bottom hose (inlet marked "H") to hot water taps. Tighten coupling to taps by hand.
4. Attach top hose (inlet marked "C") to cold water taps. Tighten coupling to taps by hand.
5. Use pliers to make an additional two-thirds turn to each coupling.

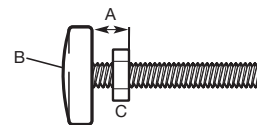
Level the Washer

Install the front leveling feet

1. Stack two corner posts on top of each other. Tilt washer backward and insert corner posts 76 mm (3") in from one side of washer as shown. Repeat with other corner posts on other side of washer.

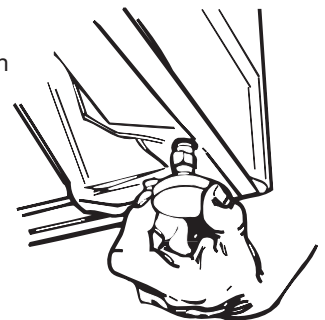


2. Use the leveling legs and nuts from parts package. Screw nut down to within 13 mm (1/2") from base.



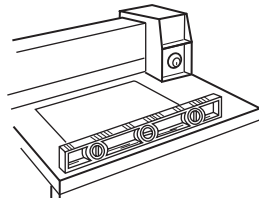
A. 13 mm (1/2")
B. Base
C. Nut

3. Insert legs into correct holes at each front corner of washer until nuts touch washer. Do not tighten nuts until the washer is leveled.
4. Tilt washer backward and remove corner posts. Gently lower washer to floor.
5. Move washer to its permanent location. Remove cardboard or hardboard from under washer.

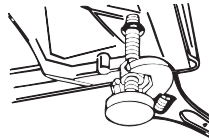


Level the washer

1. Tilt washer forward, raising rear legs 25 mm (1") off of floor. To adjust rear self-leveling legs, gently lower washer to floor.
2. Check levelness of the washer by placing a carpenter's level on top of the washer, first side to side; then front to back.



3. If washer is not level, adjust the front legs up or down. Make final check with level.
4. When washer is level, use a wrench to turn the nuts on front legs up tightly against washer base. If nuts are not tight against washer base, the washer may vibrate.



Complete Installation

1. Check the electrical requirements. Be sure that you have the correct electrical supply and the recommended earthing method.
2. Check that all parts are now installed. If there is an extra part, go back through the steps to see which step was skipped.
3. Turn on water taps and check for leaks. Tighten couplings if there is leaking. Do not overtighten; this could cause damage to the taps.
4. Be sure you have all of your tools.
5. Check that the shipping strap was removed from the back of the washer and used to secure the drain hose. If entire strap is not removed, washer may vibrate and be noisy.
6. Plug power supply cord into an earthed outlet.

NOTE: On some models, during factory testing, the timer is advanced partially into the cycle, causing the start button to be depressed. Allow timer to advance to the end of the cycle. When the cycle is complete, the timer will reset and the start button will return to the start position. If the timer is not allowed to advance to the end of the first cycle and reset, the wash load will not be completed.

Checklist for washer operation

Check the following if the washer is not operating properly:

1. Power supply cord is plugged in.
2. Circuit breaker is not tripped or fuse is not blown.
3. Timer has been advanced to start of a cycle.
4. Water taps are turned on.
5. Inlet and drain hoses are not kinked.
6. Washer lid is closed.
7. Inlet valve can freeze if not protected from the weather.
8. Suds level. Excess suds will slow the spin and cause poor rinsing. Operate the washer through a complete cycle with no detergent. Use less detergent or a controlled suds type detergent in future loads.

If you need assistance:

Contact your authorized Maytag® Commercial Laundry distributor. To locate your authorized Maytag® Commercial Laundry distributor, or for web inquiries, visit www.MaytagCommercialLaundry.com.

When you call, you will need the washer model number and serial number. Both numbers can be found on the model/serial-rating plate located under the lid.

Operating Tips

⚠ WARNING



Fire Hazard

Never place items in the washer that are dampened with gasoline or other flammable fluids.

No washer can completely remove oil.

Do not dry anything that has ever had any type of oil on it (including cooking oils).

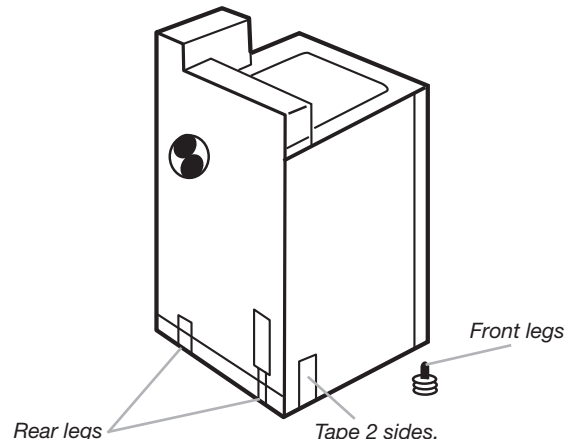
Doing so can result in death, explosion, or fire.

Typical full load sizes

| Load Type | Loading Suggestion | Load Type | Loading Suggestion |
|-----------------|---|--------------------|---|
| Mixed Load | 3 double sheets 4 pillowcases 6 pair shorts 8 T-shirts 2 shirts 2 blouses 8 handkerchiefs | Heavy Work Clothes | 3 pair pants 3 shirts 1 coverall 4 pair jeans 1 overall |
| Permanent Press | 2 double or 1 king-size sheet 1 tablecloth 1 dress 1 blouse 2 slacks 3 shirts 2 pillowcases | Knits | 3 blouses 4 slacks 6 shirts 4 tops 4 dresses |

Moving the washer to a new location

- Remove the front legs from the base of the washer.
- Place both rear leveling legs in the upper position and tape securely.
- Apply tape to the side and bottom of the cabinet near the rear.
- Open washer lid and wedge a blanket between the tub ring and the cabinet top to restrict the tub movement.



ELECTRONIC CONTROLS SETUP

BASIC OPERATION OF COMMERCIAL WASHER

- For additional information, see www.MaytagCommercialLaundry.com.
- This tech sheet is not valid for models prior to series MAT14.

WARNING



Electrical Shock Hazard

Disconnect power before servicing.
Replace all parts and panels before operating.
Failure to do so can result in death or electrical shock.

IMPORTANT

Electrostatic Discharge (ESD) Sensitive Electronics

ESD problems are present everywhere. ESD may damage or weaken the electronic control assembly. The new control assembly may appear to work well after repair is finished, but failure may occur at a later date due to ESD stress.

- Use an anti-static wrist strap. Connect wrist strap to green ground connection point or unpainted metal in the appliance

-OR-

Touch your finger repeatedly to a green ground connection point or unpainted metal in the appliance.

- Before removing the part from its package, touch the antistatic bag to a green ground connection point or unpainted metal in the appliance.
- Avoid touching electronic parts or terminal contacts; handle electronic control assembly by edges only.
- When repackaging failed electronic control assembly in antistatic bag, observe above instructions.

GENERAL USER INFORMATION

Blank display

This condition indicates the appliance is inoperative. Enter set-up mode to view diagnostic code.

"0 Minutes" showing in display

This condition indicates the appliance cannot be operated. Coins dropped or debit inputs during this condition will be stored in escrow but cannot be used until normal operation is restored by opening and closing the door. If a door switch fails, it must be replaced before normal operation can be restored.

Cold Start (initial first use)

Washer is programmed at the factory as follows:

- 11-minute wash period
- 1 rinse and 2 minutes of rinse agitation
- \$1.75 wash price (PD Models).
- \$0.00 wash price (PR Models).

Warm Start (after power failure)

After a delay of up to 8 seconds, the washer is restored to the state that existed at time of the power failure.

Free Cycles

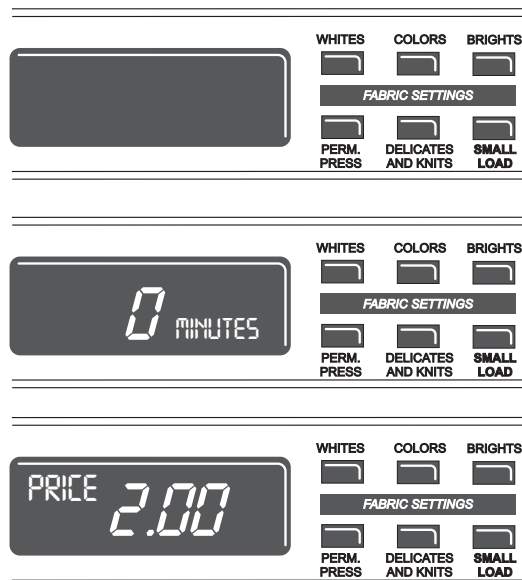
This is established by setting the cycle price to zero. When this happens, "SELECT CYCLE" will appear rather than a cycle price.

Debit Card Ready

This washer is debit card "cable" ready. It will accept a variety of debit card systems, but does NOT come with a debit card reader. Refer to the debit card reader manufacturer for proper washer set-up. In models converted to a Generation 1 debit card system, debit pulses represent the equivalent of one coin (coin 1).

Display

After the washer has been installed and plugged in, the display will show "0 MINUTES." Once the washer has been plugged in and the washer door opened and closed, the display will show the price. In washers set for free cycles, the display will flash "SELECT CYCLE."



CONTROL SET-UP PROCEDURES

IMPORTANT: Read all instructions before operating.

The lower fabric setting key pads and the digital display are used to set up the controls. The display can contain 4 numbers and/or letters and a decimal point. These are used to indicate the set-up codes and related code values available for use in programming the washer.

How to use the key pads to program the controls

1. The LOWER LEFT key pad is used to adjust the values associated with set-up codes. Pressing the key pad will increment the value. Rapid adjustment is possible by holding down the key pad.
2. The LOWER MIDDLE key pad will advance you through the set-up codes. Pressing the key pad will advance you to the next available set-up code. Holding down the key pad will automatically advance through the set-up codes at a rate of one (1) per second.
3. The LOWER RIGHT key pad is used to select or deselect options.

Start Operating Set-Up

- PD Models: Insert access door key, turn, and lift to remove access door.
- PR Models: Once the debit card reader is installed (according to the reader manufacturer's instructions), the set-up mode can be entered by inserting a set-up card (supplied by the reader manufacturer) into the card slot. If a manual set-up card is not available, manual set-up mode can be entered by removing connector AA1 on the circuit board.

IMPORTANT: The console must not be opened unless power is first removed from the washer. To access connector AA1:

- Unplug washer or disconnect power.
- Open console, disconnect plug on AA1, close console.
- Plug in washer or reconnect power.

The washer is now in the set-up mode.

NOTE: The control does not need to be set up in order for the washer to operate. These procedures are to be followed only to customize the control as desired.

SET-UP CODES

- The LOWER MIDDLE key pad will advance from code to code.
- The LOWER LEFT key pad will change the code value.
- The LOWER RIGHT key pad will select or deselect options.

FOR PR MODELS: The set-up codes are the same as for the PD models, except where noted.

The set-up code is indicated by the one or two left-hand characters. The set-up code value is indicated by the two or three right-hand characters.

| CODE | EXPLANATION |
|--|---|
| <u>5.07</u> | REGULAR CYCLE PRICE |
| <u>5.07</u> | Represents the number of coins (coin 1); may adjust from 0–39. (See VALUE OF COIN 1.) Advance from 0–39 by pressing the LOWER LEFT key pad. Factory preset for 7 coins = \$1.75. PR MODELS ONLY: Factory preset for 0 coins. |
| → Press the LOWER MIDDLE key pad once to advance to next code. | |

| CODE | EXPLANATION |
|--|--|
| <u>7.11</u> | WASH LENGTH |
| <u>7.11</u> | This is the number of minutes for WASH. Choose from 8–20 minutes by pressing the LOWER LEFT key pad. → Press the LOWER MIDDLE key pad once to advance to next code. |
| <u>8.21</u> | RINSE CYCLES |
| <u>8.21</u> | This is the length and total number of rinses. Each rinse agitation is 1–4 minutes, with a choice of 1 or 2 rinses. The middle digit is the length of rinse agitation and the right digit is the number of rinses. The number is changed in the following sequence (11, 21, 31, 41, 12, 22, 32, 42) by pressing the LOWER LEFT key pad. Press the LOWER MIDDLE key pad once to advance to next code. The DELICATES & KNITS cycle has a fixed rinse agitation length of one minute. → Press the LOWER MIDDLE key pad once to advance to next code. |
| <u>9.00</u> | CYCLE COUNTER OPTION This option is either SELECTED "ON" or NOT SELECTED "OFF." |
| <u>9.00</u> | Not Selected "OFF." |
| <u>9.00</u> | Selected "ON" and not able to be deselected. Press the LOWER RIGHT key pad 3 consecutive times to select "ON." Once selected "ON" it cannot be deselected. → Press the LOWER MIDDLE key pad once to advance to next code. |
| <u>1.00</u> | MONEY COUNTER OPTION This option is either SELECTED "ON" or NOT SELECTED "OFF." |
| <u>1.00</u> | Not Selected "OFF." |
| <u>1.00</u> | Selected "ON." Press the LOWER RIGHT key pad 3 consecutive times to select "ON" and 3 consecutive times to remove (Not Selected "OFF.") Counter resets by going from "OFF" to "ON." |
| <u>1.00</u> | Selected "ON" and not able to be deselected. To select "ON" and not able to be deselected, first select "ON," then within two seconds press the LOWER RIGHT key pad twice, the LOWER LEFT key pad once, and exit the set-up mode. → Press the LOWER MIDDLE key pad once to advance to next code. |
| <u>2.00</u> | SPECIAL PRICING OPTION This option is either SELECTED "ON" or NOT SELECTED "OFF." |
| <u>2.00</u> | Not Selected "OFF." |
| <u>2.5P</u> | Selected "ON." Press the LOWER RIGHT key pad once for this selection. |
| If SPECIAL PRICING OPTION is selected, you have access to codes "3." through "9." → Press the LOWER MIDDLE key pad once to advance to next code. | |
| OPTIONS TO USE IF SPECIAL PRICING IS SELECTED: | |
| <u>3.07</u> | SPECIAL CYCLE PRICE |
| <u>3.07</u> | Represents the number of quarters (coin 1); may adjust from 0–39. (See VALUE OF COIN 1.) Advance from 0–39 by pressing the LOWER LEFT key pad. Factory preset for 7 coins = \$1.75. PR MODELS ONLY: Factory preset for 0 coins. → Press the LOWER MIDDLE key pad once to advance to next code. |

| CODE | EXPLANATION | | | | | | | | | | | | | | | | | | | | | | | | |
|---|--|-----------------|-------------|-----------------|----|----------------|----|----|----------------|----|----|-----------------|----|----|-------------------|----|----|------------------|----|----|----------------|----|----|------------------|----|
| OPTIONS TO USE IF SPECIAL PRICING IS SELECTED (cont.): | | | | | | | | | | | | | | | | | | | | | | | | | |
| <u>5.00</u> | TIME-OF-DAY CLOCK, MINUTES | | | | | | | | | | | | | | | | | | | | | | | | |
| <u>5.00</u> | This is the TIME-OF-DAY CLOCK, minute setting; select 0–59 minutes by pressing the LOWER LEFT key pad. → Press the LOWER MIDDLE key pad once to advance to next code. | | | | | | | | | | | | | | | | | | | | | | | | |
| <u>5.00</u> | TIME-OF-DAY CLOCK, HOURS NOTE: Uses military time or 24 hr. clock. | | | | | | | | | | | | | | | | | | | | | | | | |
| <u>5.00</u> | This is the TIME-OF-DAY CLOCK, hour setting; select 0–23 hours by pressing the LOWER LEFT key pad. → Press the LOWER MIDDLE key pad once to advance to next code. | | | | | | | | | | | | | | | | | | | | | | | | |
| <u>7.00</u> | SPECIAL PRICE START HOUR NOTE: Uses military time or 24 hr. clock. | | | | | | | | | | | | | | | | | | | | | | | | |
| <u>7.00</u> | This is the start hour, 0–23 hours. Select START HOUR by pressing the LOWER LEFT key pad. → Press the LOWER MIDDLE key pad once to advance to next code. | | | | | | | | | | | | | | | | | | | | | | | | |
| <u>8.00</u> | SPECIAL PRICE STOP HOUR NOTE: Uses military time or 24 hr. clock. | | | | | | | | | | | | | | | | | | | | | | | | |
| <u>8.00</u> | This is the stop hour; 0–23 hours. Select STOP HOUR by pressing the LOWER LEFT key pad. → Press the LOWER MIDDLE key pad once to advance to next code. | | | | | | | | | | | | | | | | | | | | | | | | |
| <u>9.10</u> | SPECIAL PRICE DAY | | | | | | | | | | | | | | | | | | | | | | | | |
| <u>9.10</u> | This represents the day of the week and whether special pricing is selected for that day. A number followed by “0” indicates no selection that particular day (9.10). A number followed by an “S” indicates selected for that day (9.1S). Days of the week (1–7) can be chosen by pressing the LOWER LEFT key pad. Press LOWER LEFT key pad once to select special pricing for each day chosen. When exiting setup code “9.”, the display must show current day of week: <table border="1"> <thead> <tr> <th>DISPLAY</th> <th>DAY OF WEEK</th> <th>CODE (selected)</th> </tr> </thead> <tbody> <tr> <td>10</td> <td>Day 1 = Sunday</td> <td>1S</td> </tr> <tr> <td>20</td> <td>Day 2 = Monday</td> <td>2S</td> </tr> <tr> <td>30</td> <td>Day 3 = Tuesday</td> <td>3S</td> </tr> <tr> <td>40</td> <td>Day 4 = Wednesday</td> <td>4S</td> </tr> <tr> <td>50</td> <td>Day 5 = Thursday</td> <td>5S</td> </tr> <tr> <td>60</td> <td>Day 6 = Friday</td> <td>6S</td> </tr> <tr> <td>70</td> <td>Day 7 = Saturday</td> <td>7S</td> </tr> </tbody> </table> → Press the LOWER MIDDLE key pad once to advance to next code. | DISPLAY | DAY OF WEEK | CODE (selected) | 10 | Day 1 = Sunday | 1S | 20 | Day 2 = Monday | 2S | 30 | Day 3 = Tuesday | 3S | 40 | Day 4 = Wednesday | 4S | 50 | Day 5 = Thursday | 5S | 60 | Day 6 = Friday | 6S | 70 | Day 7 = Saturday | 7S |
| DISPLAY | DAY OF WEEK | CODE (selected) | | | | | | | | | | | | | | | | | | | | | | | |
| 10 | Day 1 = Sunday | 1S | | | | | | | | | | | | | | | | | | | | | | | |
| 20 | Day 2 = Monday | 2S | | | | | | | | | | | | | | | | | | | | | | | |
| 30 | Day 3 = Tuesday | 3S | | | | | | | | | | | | | | | | | | | | | | | |
| 40 | Day 4 = Wednesday | 4S | | | | | | | | | | | | | | | | | | | | | | | |
| 50 | Day 5 = Thursday | 5S | | | | | | | | | | | | | | | | | | | | | | | |
| 60 | Day 6 = Friday | 6S | | | | | | | | | | | | | | | | | | | | | | | |
| 70 | Day 7 = Saturday | 7S | | | | | | | | | | | | | | | | | | | | | | | |
| <u>9.00</u> | VAULT VIEWING OPTION This option is either SELECTED “ON” or NOT SELECTED “OFF.” | | | | | | | | | | | | | | | | | | | | | | | | |
| <u>9.00</u> | Not Selected “OFF.” | | | | | | | | | | | | | | | | | | | | | | | | |
| <u>9.50</u> | Selected “ON.” Press LOWER RIGHT key pad once for this selection. When selected, the money and/or cycle counts will be viewable (if counting is selected) when the coin box is removed. → Press the LOWER MIDDLE key pad once to advance to next code. | | | | | | | | | | | | | | | | | | | | | | | | |
| <u>5.05</u> | VALUE OF COIN 1 | | | | | | | | | | | | | | | | | | | | | | | | |
| <u>5.05</u> | This represents the value of coin 1 in number of coins: 05 = \$0.25. By pressing the LOWER LEFT key pad, you have the option of 1–199 coins. → Press the LOWER MIDDLE key pad once to advance to next code. | | | | | | | | | | | | | | | | | | | | | | | | |

| CODE | EXPLANATION |
|-------------|---|
| <u>2.20</u> | VALUE OF COIN 2 |
| <u>2.20</u> | This represents the value of coin 2 in number of coins: 20 = \$1.00. PR MODELS: Factory preset for \$0.25. By pressing the PERMANENT PRESS key pad, you have the option of 1–199 coins. → Press the LOWER MIDDLE key pad once to advance to next code. |
| <u>4.00</u> | COIN SLIDE OPTION This option is either SELECTED “ON” or NOT SELECTED “OFF.” |
| <u>4.00</u> | Not Selected “OFF.” |
| <u>4.50</u> | Selected “ON.” Press the LOWER RIGHT key pad 3 consecutive times for this selection. When coin slide mode is selected, set “b.” equal to value of slide in coins. Set step 6 (regular cycle price) and step 3 (special cycle price) to number of slide operations. NOTE: If the installer sets up “CS” on a coin drop model, it will not register coins. → Press the LOWER MIDDLE key pad once to advance to next code. |
| <u>5.00</u> | ADD COINS OPTION This option is either SELECTED “ON” or NOT SELECTED “OFF.” This option causes the customer display to show the number of coins (coin 1) to enter, rather than the dollars-and-cents amount. |
| <u>5.00</u> | Not Selected “OFF.” |
| <u>5.50</u> | Selected “ON.” Press the LOWER RIGHT key pad 3 consecutive times for this selection. → Press the LOWER MIDDLE key pad once to advance to next code. |
| <u>5.00</u> | ENHANCED PRICING OPTION |
| <u>5.00</u> | Not Selected “OFF.” |
| <u>5.50</u> | Cycle-Based pricing enables. This option allows configuration of different prices for cold, warm, and hot water cycles. Press the LOWER RIGHT key pad for this selection. |
| <u>5.50</u> | Super Cycle pricing enabled. This option allows customers to upgrade cycles by depositing extra money. Set-up codes “H.” and “h.” will be displayed only when this option is enabled. Press the LOWER RIGHT key pad for this selection. → Press the LOWER MIDDLE key pad once to advance to next code. |
| <u>h.01</u> | SUPER CYCLE UPGRADE PRICE (Skipped unless Super Cycle pricing is enabled.) |
| <u>h.01</u> | This represents the number of coin 1 required to upgrade a base cycle to a super cycle. Advance from 0–39 by pressing the LOWER LEFT key pad. → Press the LOWER MIDDLE key pad once to advance to next code. |
| <u>h.01</u> | SUPER CYCLE TYPE (Skipped unless Super Cycle pricing is enabled.) |
| <u>h.01</u> | This represents the Super Cycle upgrade option. Press the LOWER LEFT key pad to step through upgrade options 1 through 3 as follows: 01 – enhanced wash, extra 3 minutes of wash tumble in addition to the programmed wash time. 02 – extra rinse for all cycles. 03 – both 01 and 02. → Press the LOWER MIDDLE key pad once to advance to next code. |

| CODE | EXPLANATION |
|---------------------------------|---|
| COIN/DEBIT OPTION | |
| | Both coin and debit selected. |
| | Coins selected, debit disabled. Press LOWER RIGHT key pad for this selection. |
| | Debit Card selected, coins disabled. Press LOWER RIGHT key pad for this selection. |
| | Enhanced Debit is self-selected when a Generation 2 card reader is installed in the washer. The "Ed" option cannot be manually selected or deselected. → Press the LOWER MIDDLE key pad once to advance to next code. |
| PRICE SUPPRESSION OPTION | |
| | This option causes the customer display to show "ADD" or "AVAILABLE" rather than the amount of money to add. (Used mainly in debit installations.) |
| | Not Selected "OFF." |
| | Selected "ON." Press the LOWER RIGHT key pad once for this selection. → Press the LOWER MIDDLE key pad once to advance to next code. |
| CLEAR ESCROW OPTION | |
| | When selected, money held in escrow for 30 minutes without further escrow or cycle activity will be cleared. |
| | Selected "ON." |
| | Not selected "OFF." Press the LOWER RIGHT key pad once to deselect this selection. → Press the LOWER MIDDLE key pad once to advance to next code. |
| PENNY INCREMENT OFFSET | |
| | This represents the penny increment price offset used in Generation 2 (Enhanced Debit) PR models. Choose from 0-4 pennies by pressing the LOWER LEFT key pad. → Press the LOWER MIDDLE key pad once to advance to next code. |

If cycle counter (9.0C) is selected, the following is true:

100 Represents the number of cycles in HUNDREDS. $1 \underline{02} = 200$
 200 Represents the number of cycles in ONES. $2 \underline{25} = 25$
 TOTAL CYCLES = 225

This is "VIEW ONLY" and cannot be cleared.

Press the LOWER MIDDLE key pad once to advance to next code.

If money counter (1.0C or 1.C0) is selected, the following is true:

300 Currency amount in HUNDREDS. $3 \underline{01} = 100.00$
 400 Currency amount in ONES. $4 \underline{68} = 68.00$
 500 Currency amount of CENTS. $5 \underline{75} = .75$
 TOTAL = 168.75

END OF SET-UP PROCEDURES

EXIT FROM SET-UP MODE

- PD Models: Reinstall access door.
- PR Models:
 - Unplug washer or disconnect power.
 - Open console, reinsert plug into AA1, close console.
 - Plug in washer or reconnect power.



**EU - DECLARATION OF CONFORMITY
 CE - DECLARATION DE CONFORMITE**

WE (nous): BAUKNECHT HAUSGERÄTE GmbH, D-73614 Schorndorf
 representing (représentant): WHIRLPOOL EUROPE S.r.l I-21025 COMERIO

declare under our sole responsibility that the product
déclarons sous notre propre responsabilité que le produit

washing machine **Maytag** **MAT14PD AGW**
(machine à laver le linge):

to which this declaration relates is in conformity with the following standard(s) or other normative document(s)
auquel se réfère cette déclaration est conforme aux normes suivantes ou autres documents normatifs

- EN 60335-1:2002+A1+A2+A11+A12+A13
- EN 60335-2-7:2003+A1+A2
- EN 62233:2008
- EN 61770:2009
- EN 55014-1:2006+A1:2009
- EN 55014-2:1997+Corr.1997+A1:2001+A2:2008
- EN 61000-3-2:2006+A1:2009+A1:2009
- EN 61000-3-11:2000

following the provisions of Directive(s):
suyant les prévisions des Directives:

- 2006/95/EC LOW VOLTAGE DIRECTIVE** (CEE Directive Basse Tension)
- 2004/108/EC ELECTROMAGNETIC COMPATIBILITY DIRECTIVE** (CEE Directive Compatibilité Electro-magnétique)

Schorndorf, 15.11.2011
 Place and date:
lieu et date

represented by
Franz Hartmann **Karl-Dieter Klingenstein**
 Director PDC FC EMEA Product Approval
 GPO, Schorndorf

MAYTAG® COMMERCIAL SINGLE-LOAD AND VENDED MULTI-LOAD WASHER AND DRYER WARRANTY

LIMITED WARRANTY ON PARTS

For the first five years from the date of purchase, when this commercial appliance is installed, maintained and operated according to the instructions attached to or furnished with the product, Maytag brand of Whirlpool Corporation (hereafter "Maytag") will pay for factory specified parts or original equipment manufacturer parts to correct defects in materials or workmanship. Proof of original purchase date is required to obtain service under this warranty.

ITEMS MAYTAG WILL NOT PAY FOR

1. All other costs including labor, transportation, or custom duties.
 2. Service calls to correct the installation of your commercial appliance, to instruct you how to use your commercial appliance, to replace or repair fuses, or to correct external wiring or plumbing.
 3. Repairs when your commercial appliance is used for other than normal, commercial use.
 4. Damage resulting from improper handling of product during delivery, theft, accident, alteration, misuse, abuse, fire, flood, acts of God, improper installation, installation not in accordance with local electrical or plumbing codes, or use of products not approved by Maytag.
 5. Pickup and Delivery. This commercial appliance is designed to be repaired on location.
 6. Repairs to parts or systems resulting from unauthorized modifications made to the commercial appliance.
 7. The removal and reinstallation of your commercial appliance if it is installed in an inaccessible location or is not installed in accordance with published installation instructions.
 8. Chemical damage is excluded from all warranty coverage.
 9. Changes to the building, room, or location needed in order to make the commercial appliance operate correctly.
 10. Repairs made by a non-Whirlpool authorized service technician.
-

DISCLAIMER OF IMPLIED WARRANTIES; LIMITATIONS OF REMEDIES

CUSTOMER'S SOLE AND EXCLUSIVE REMEDY UNDER THIS LIMITED WARRANTY SHALL BE PRODUCT REPAIR AS PROVIDED HEREIN. IMPLIED WARRANTIES, INCLUDING WARRANTIES OF MERCHANTABILITY OR FITNESS FOR A PARTICULAR PURPOSE, ARE LIMITED TO ONE YEAR OR THE SHORTEST PERIOD ALLOWED BY LAW. WHIRLPOOL SHALL NOT BE LIABLE FOR INCIDENTAL OR CONSEQUENTIAL DAMAGES. SOME STATES AND PROVINCES DO NOT ALLOW THE EXCLUSION OR LIMITATION OF INCIDENTAL OR CONSEQUENTIAL DAMAGES, OR LIMITATIONS ON THE DURATION OF IMPLIED WARRANTIES OF MERCHANTABILITY OR FITNESS, SO THESE EXCLUSIONS OR LIMITATIONS MAY NOT APPLY TO YOU. THIS WARRANTY GIVES YOU SPECIFIC LEGAL RIGHTS AND YOU MAY ALSO HAVE OTHER RIGHTS, WHICH VARY FROM STATE TO STATE OR PROVINCE TO PROVINCE.

If you need service, please contact your authorized Maytag® Commercial Laundry distributor. To locate your authorized Maytag® Commercial Laundry distributor, or for web inquiries, visit www.MaytagCommercialLaundry.com.

3/10

For written correspondence:

Maytag® Commercial Laundry Service Department
2000 M-63 North
Benton Harbor, Michigan 49022 USA

SECURITE DU LAVE-LINGE

Votre sécurité et celle des autres est très importante.

Nous donnons de nombreux messages de sécurité importants dans ce manuel et sur votre appareil ménager. Assurez-vous de toujours lire tous les messages de sécurité et de vous y conformer.



Voici le symbole d'alerte de sécurité.

Ce symbole d'alerte de sécurité vous signale les dangers potentiels de décès et de blessures graves à vous et à d'autres.

Tous les messages de sécurité suivront le symbole d'alerte de sécurité et le mot "DANGER" ou "AVERTISSEMENT". Ces mots signifient :

 **DANGER**

Risque possible de décès ou de blessure grave si vous ne suivez pas immédiatement les instructions.

 **AVERTISSEMENT**

Risque possible de décès ou de blessure grave si vous ne suivez pas les instructions.

Tous les messages de sécurité vous diront quel est le danger potentiel et vous disent comment réduire le risque de blessure et ce qui peut se produire en cas de non-respect des instructions.

ÉLIMINATION DU LAVE-LINGE



Le marquage de l'appareil est conforme à la directive européenne 2002/ 96/ EC sur les équipements électroniques et électriques, pour gestion des déchets.

En veillant à l'élimination correcte de ce produit, vous éviterez d'éventuelles conséquences néfastes pour l'environnement et la santé humaine qui peuvent être associées au traitement inapproprié de ce produit lorsqu'il a été mis au rebut.

Le symbole figurant sur le produit ou dans les documents qui accompagnent le produit indique que cet appareil ne doit pas être traité comme déchet ménager; on doit plutôt le remettre à un centre de collecte spécialisé pour le recyclage des équipements électriques et électroniques.

L'élimination de ce produit après mise au rebut doit être effectuée conformément aux prescriptions de la réglementation locale de protection de l'environnement.

Pour l'information détaillée concernant le traitement, le recyclage et la récupération de ce produit, contacter la municipalité locale, le service d'élimination des déchets ménagers, ou le commerçant qui a vendu le produit.

EXIGENCES D'INSTALLATION

Outillage et pièces

Rassembler les outils et pièces nécessaires avant d'entreprendre l'installation.

Outils nécessaires

- Niveau
- Couteau utilitaire
- Ciseaux
- Clé à mollette de 200 mm (8") ou 250 mm (10")
- Tournevis à lame plate
- Pince
- Seau

Pièces fournies

Retirer les pièces du lave-linge. Vérifier la présence de toutes les pièces.

- 1 bride de fixation
- 2 tuyaux d'arrivée d'eau
- 4 rondelles plates de tuyau d'arrivée d'eau
- 2 pieds de nivellement avant avec écrous
- 1 tuyau de vidange
- Adaptateur de tuyau

| Spécifications techniques : | Capacité de vêtements : |
|-----------------------------|-------------------------|
| 220 à 240 V, 50 Hz AC | MAT14PD : 5,9 kg Max. |
| 650 Watts | |

Exigences d'emplacement

IMPORTANT : Ne pas installer ou remiser le lave-linge dans un endroit où il sera exposé aux intempéries. Ne pas remiser ou faire fonctionner le lave-linge à des températures inférieures ou égales à 0°C (32°F). Une quantité d'eau peut demeurer dans le lave-linge et causer des dommages à des températures basses.

C'est à l'utilisateur qu'incombe la responsabilité de réaliser une installation correcte.

Il vous faudra :

- Un chauffe-eau pour fournir de l'eau à 60°C (140°F) au lave-linge.
- Une prise électrique reliée à la terre située à moins de 1,2 m (4 pi) de la prise du cordon électrique se trouvant à l'arrière du lave-linge. Voir "Spécifications électriques".
- Des robinets d'eau chaude et d'eau froide situés à 1,2 m (4 pi) ou moins de l'arrière du lave-linge, et une pression d'eau de 69 à 690 kPa (10 à 100 lb/po2). Lorsque la pression d'alimentation à l'entrée du bâtiment est supérieure à 690 kPa (100 lb/po2), on devrait installer une vanne de réduction de la pression pour éviter une éventuelle détérioration de la vanne de mixage du lave-linge.
- Un plancher de niveau ayant une pente maximale de 25 mm (1") sous l'ensemble du lave-linge.
- Un plancher robuste pour supporter le lave-linge dont le poids total (lave-linge, eau et charge) est de 143 kg (315 lb).
- Une colonne montante d'au moins 300 mm (12") destinée à fournir un coussin d'air et à empêcher l'émission de bruit et la détérioration des électrovannes lors de l'installation d'un seul lave-linge.
- Un égout au plancher doit être installé sous le module de la cloison. Les coffrages préfabriqués équipés de prises électriques, de lignes d'arrivée d'eau et conduites d'évacuation doivent être utilisés seulement là où les codes locaux l'autorisent.

REMARQUE : On peut accéder à la zone avant de la pompe en retirant les vis de sécurité No. T20 TORX®† puis en retirant le panneau avant.

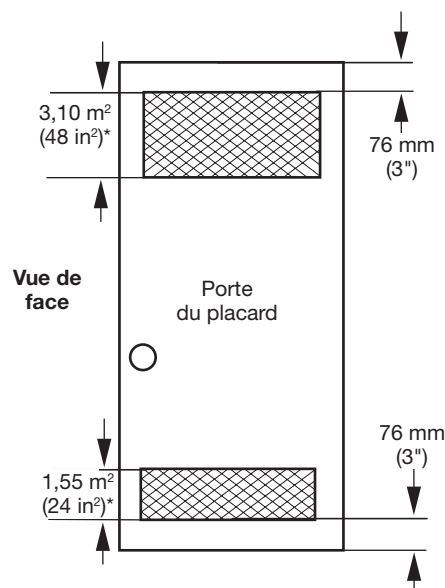
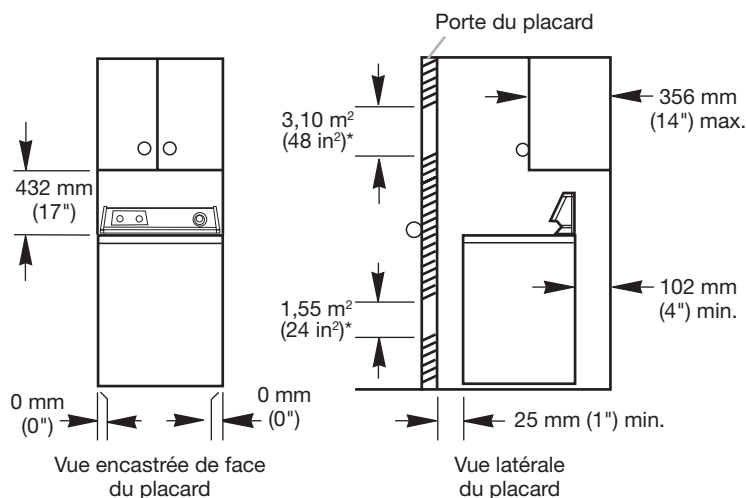
®† Torx est une marque déposée de Saturn Fasteners, Inc.

Instructions d'installation dans un encastrement ou un placard

Ce lave-linge peut être installé dans un encastrement ou un placard.

Les dimensions d'installation illustrées sont en centimètres et constituent le minimum applicable. Un espace supplémentaire peut être nécessaire pour faciliter l'installation, l'entretien et pour observer les codes et règlements locaux en vigueur.

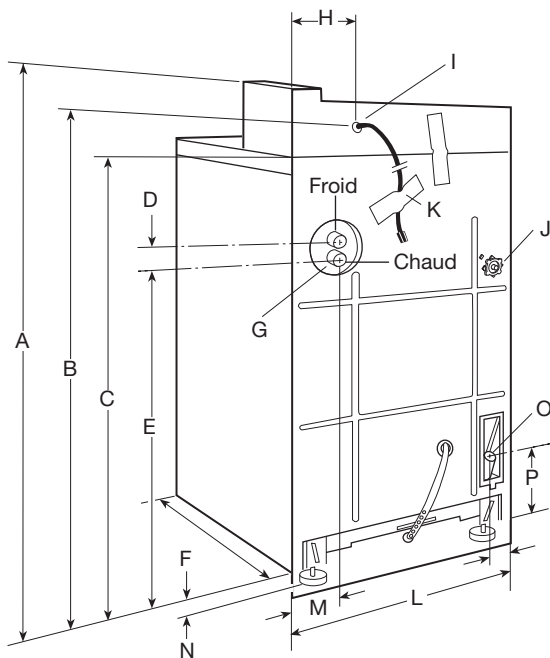
Si une porte de placard est installée, des ouvertures d'évacuation de l'air minimales sont nécessaires dans les parties supérieure et inférieure. Les portes à claire-voie offrant des ouvertures équivalentes sont acceptables.



*Dimension minimale pour une porte de placard. Les portes à claire-voie offrant des ouvertures équivalentes sont acceptables.

- Un espace supplémentaire peut être nécessaire pour faciliter l'installation et l'entretien.
- Un espace supplémentaire peut être requis pour les moulures de porte et de plancher et pour les plinthes.
- Un espace supplémentaire de 25 mm (1 po) de tous les côtés du lave-linge est recommandé pour réduire le transfert du bruit.
- Il faut aussi prendre en compte l'espace requis entre les appareils voisins.

Dimensions du produit



| | | | |
|----|------------------------------|----|--|
| A. | 1,09 m (43 po) | I. | Cordon d'alimentation électrique |
| B. | 970 mm (38 $\frac{1}{8}$ po) | J. | Connecteur du tuyau de vidange |
| C. | 890 mm (35 po) | K. | Étiquette |
| D. | 38 mm (1 $\frac{1}{2}$ po) | L. | 685 mm (27 po) |
| E. | 705 mm (27 $\frac{3}{4}$ po) | M. | 133 mm (5 $\frac{1}{4}$ po) |
| F. | 650 mm (25 $\frac{1}{2}$ po) | N. | 25 mm (1 po) |
| G. | Arrivées d'eau | O. | Commutateur du niveau d'eau et tige de réglage |
| H. | 180 mm (7 po) | P. | 127 mm (5 po) |

Systeme de vidange

Systeme de vidange avec tuyau de rejet à l'égout

Le système de rejet à l'égout nécessite un tuyau de diamètre minimum de 50 mm (2 po). La capacité minimum de vidange ne peut pas être inférieure à 64 L (17 gal.) par minute.

Le sommet du tuyau de rejet à l'égout doit être au moins à 990 mm (39 po) de hauteur et au maximum à 1,83 m (72 po) de la base du lave-linge.

Spécifications électriques

⚠ AVERTISSEMENT



Risque de choc électrique

Brancher sur une prise reliée à la terre.

Ne pas utiliser un câble de rallonge ou un adaptateur.

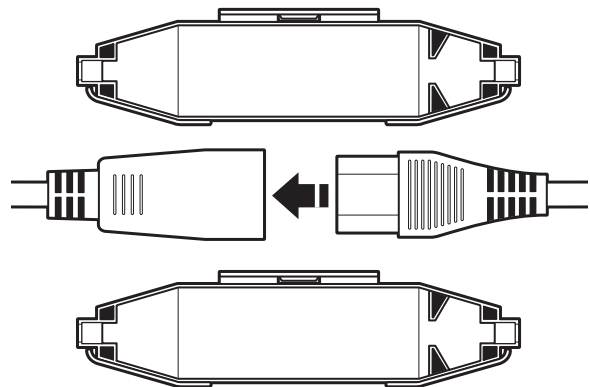
Le non-respect de ces instructions peut causer un décès, un incendie ou un choc électrique.

- L'appareil doit être alimenté par un circuit de 220-240 V, CA seulement, 50 Hz, protégé par un fusible. On recommande d'utiliser un fusible ou un disjoncteur temporisé. Il est recommandé de raccorder le lave-linge sur un circuit distinct exclusif à cet appareil.
- Ce lave-linge comporte un cordon d'alimentation électrique pour liaison à la terre. La prise doit être accessible pour pouvoir déconnecter l'appareil de l'alimentation électrique.
- Si le cordon d'alimentation est endommagé, il doit être remplacé par le fabricant, son agent de service ou toute autre personne qualifiée afin d'éviter tout danger.

À l'aide du cordon universel d'alimentation électrique fourni avec ce lave-linge :

Ce lave-linge comporte un cordon universel avec des prises principales interchangeables.

1. Sélectionner la prise principale appropriée parmi les prises fournies et la fixer au connecteur du cordon de câblage principal.
2. Enclencher les deux moitiés du système de retenue du cordon sur le connecteur pour le maintenir en place.



INSTRUCTIONS DE LIAISON À LA TERRE

Ce lave-linge doit être relié la terre. En cas d'anomalie de fonctionnement ou de panne, la liaison à la terre réduira le risque de choc électrique en offrant au courant électrique un itinéraire d'évacuation de moindre résistance. Ce lave-linge est alimenté par un cordon électrique comportant un conducteur relié à la terre et une fiche de branchement munie d'une broche de liaison à la terre. La fiche doit être branchée sur une prise de courant appropriée qui est bien installée et reliée la terre conformément à tous les codes et règlements locaux.

AVERTISSEMENT : Le raccordement incorrect de cet appareil au conducteur de liaison la terre peut susciter un risque de choc électrique. En cas de doute quant à la qualité de la liaison la terre de l'appareil, consulter un électricien ou technicien d'entretien qualifié.

Ne pas modifier la fiche de branchement fournie avec l'appareil si la fiche ne correspond pas à la configuration de la prise de courant, demander à un électricien qualifié d'installer une prise de courant convenable.

INSTRUCTIONS D'INSTALLATION

Enlever la sangle d'expédition

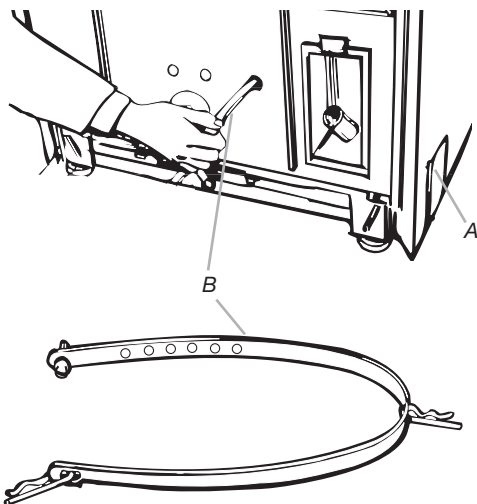
AVERTISSEMENT

Risque du poids excessif

Utiliser deux ou plus de personnes pour déplacer et installer le lave-linge.

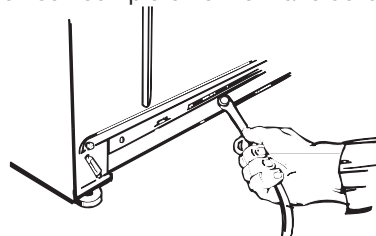
Le non-respect de cette instruction peut causer une blessure au dos ou d'autre blessure.

1. Enlever le ruban adhésif qui recouvre la sangle d'expédition. Tirer pour extraire complètement la sangle et les 2 goupilles qui se trouvent à l'intérieur du lave-linge.



A. Ruban adhésif pour expédition
B. Sangle d'expédition

2. Tirer fermement pour extraire l'extrémité de la sangle d'expédition de l'arrière du lave-linge. Pour la libérer les pieds de réglage de l'aplomb, il faut que le piton de la sangle d'expédition soit complètement extraite de la machine.



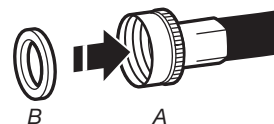
Conserver la sangle d'expédition pour réutilisation éventuelle.

Raccordement des tuyaux

Le bon acheminement du tuyau de vidange évite les dommages à vos planchers imputables une fuite d'eau. Lire et suivre ces instructions.

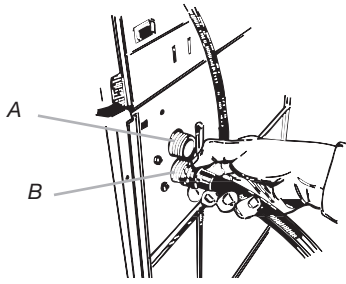
Connecter les tuyaux d'alimentation au lave-linge

1. Le lave-linge doit être raccordé aux robinets d'eau à l'aide des nouveaux tuyaux d'arrivée d'eau fournis avec la machine. Ne pas réutiliser de tuyaux usagés. Insérer les rondelles plates neuves (fournies) dans chaque extrémité des tuyaux d'arrivée d'eau. Insérer fermement les rondelles dans les raccords.



A. Raccord
B. Rondelle

- Fixer d'abord le tuyau à la valve d'arrivée d'eau inférieure.



A. Valve du tuyau d'alimentation d'eau froide
B. Valve du tuyau d'alimentation d'eau chaude

- Fixer le second tuyau à la valve d'arrivée d'eau supérieure. Serrer les raccords à la main, puis utiliser une pince et serrer de deux tiers de tour en plus.

REMARQUE : Les fils des valves de tuyau d'arrivée d'eau sont en plastique. Veiller à ne pas dénuder ou détériorer les filetages des raccords.

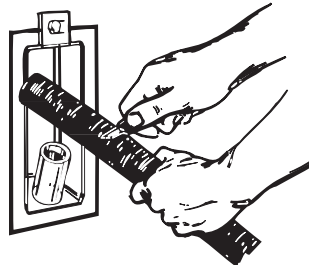
Connecter le tuyau de vidange

REMARQUE : Faire glisser le lave-linge sur un carton ou une plaque de contreplaqué avant de la déplacer sur le plancher.

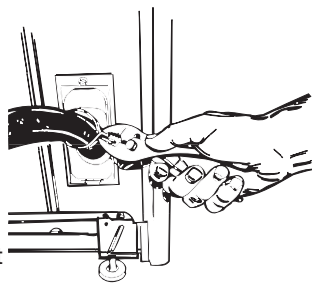
- Placer la lave-linge près de son emplacement d'installation final.
- Mettre l'extrémité en crochet du tuyau de vidange dans l'évier de buanderie ou dans le tuyau de rejet à l'égout.
- Estimer la longueur de tuyau de vidange nécessaire lorsque le lave-linge est à son emplacement d'installation final. Il faut que le tuyau soit coupé à la longueur exacte qui permettra à l'extrémité en crochet d'être fermement retenue dans l'embouchure du tuyau de rejet à l'égout.

Si le tuyau de vidange est trop long, couper l'extrémité droite pour le raccourcir. (Ne jamais couper l'extrémité recourbée du tuyau de vidange.)

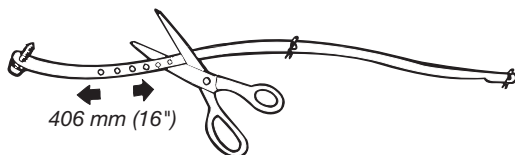
REMARQUE : Ne pas forcer une section excessive du tuyau de vidange à pénétrer dans le tuyau de rejet à l'égout. Ceci pourrait provoquer un siphonnage.



- Placer la bride de tuyau sur le raccord de vidange du lave-linge. Pousser le tuyau de vidange pour l'engager sur le raccord de connexion du lave-linge. Utiliser une pince pour ouvrir la bride de tuyau et la placer à l'emplacement approprié sur le tuyau de vidange. Vérifier que la bride est correctement placée et serrée.

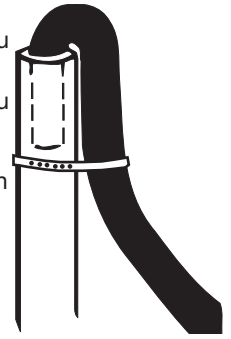


- Mesurer et marquer un point à approximativement 406 mm (16") de l'extrémité avec piton de la sangle d'expédition. Couper la sangle à cet endroit.



- Vérifier que le tuyau n'est pas vrillé ou déformé et qu'il est fermement maintenu en place.

Introduire l'extrémité recourbée du tuyau de vidange dans le tuyau de rejet à l'égout. Enlacer les deux tuyaux avec la sangle de transport. Introduire le piton dans le trou le plus proche de la sangle.



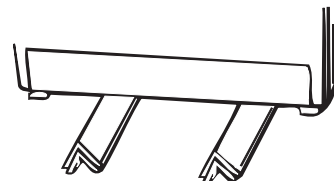
Connecter les tuyaux d'alimentation aux robinets d'eau

- Avant de fixer les tuyaux d'alimentation, faire s'écouler l'eau des deux robinets dans un seau. Ceci éliminera les particules se trouvant dans les canalisations d'eau qui pourraient obstruer les tuyaux. Marquer le robinet d'eau chaude.
- Installer une rondelle sur le robinet de chaque tuyau d'arrivée d'eau.
- Fixer le tuyau d'alimentation inférieur (marqué "H") au robinet d'eau chaude. Serrer à la main les raccords au robinet.
- Fixer le tuyau d'alimentation supérieur (marqué "C") au robinet d'eau froide. Serrer à la main les raccords au robinet.
- Utiliser une pince et tourner chaque raccord de deux tiers de tour en plus.

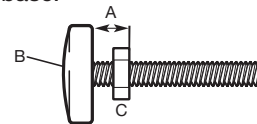
Réglage de l'aplomb du lave-linge

Installation des pieds de réglage de l'aplomb avant

- Superposer deux cornières de carton d'emballage. Incliner le lave-linge vers l'arrière et insérer les cornières sous le lave-linge à 76 mm (3") de chaque côté – voir l'illustration.

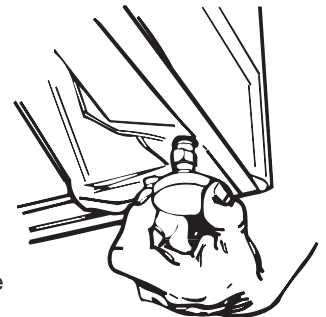


- Trouver les pieds de réglage de l'aplomb et les écrous dans le sachet de pièces. Visser l'écrou jusqu'à ce qu'il soit au contact de la base du lave-linge.



A. 13 mm (1/2")
B. Base
C. Écrou

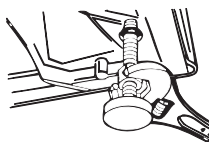
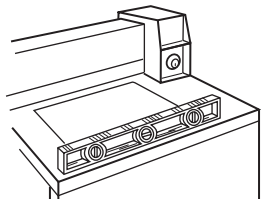
- Insérer un pied dans le trou approprié dans chaque angle avant du lave-linge jusqu'à ce que l'écrou soit au contact de la base du lave-linge. Ne pas serrer les écrous avant que l'aplomb du lave-linge n'ait été établi.



- Incliner le lave-linge vers l'arrière et retirer les cornières de carton. Abaisser doucement le lave-linge pour le reposer au sol.
- Déplacer le lave-linge jusqu'à son emplacement définitif. Retirer le carton ou la plaque de contreplaqué de dessous le lave-linge.

Réglage de l'aplomb du lave-linge

1. Incliner le lave-linge vers l'avant pour soulever les pieds arrière de 25 mm (1") pour l'ajustement des pieds arrière de réglage automatique de l'aplomb. Abaisser doucement le lave-linge jusqu'au sol.
2. Utiliser un niveau pour contrôler l'aplomb du lave-linge dans les deux directions, transversalement et avant-arrière.
3. Si le lave-linge n'est pas d'aplomb, régler la longueur de déploiement des pieds avant. Utiliser le niveau pour un contrôle final.
4. Lorsque le lave-linge est d'aplomb, utiliser une clé pour serrer chaque écrou des pieds avant au contact de la base du lave-linge. Si les écrous ne sont pas suffisamment serrés contre la base, le lave-linge pourrait vibrer.



Achever l'installation

1. Consulter les spécifications électriques. Vérifier que la tension électrique disponible est correcte et que la prise de courant est convenablement reliée à la terre.
2. Vérifier que toutes les pièces sont maintenant installées. S'il reste une pièce, passer en revue les différentes étapes pour découvrir laquelle aurait été oubliée.
3. Ouvrir les robinets d'eau et vérifier s'il y a des fuites. Serrer les raccords en cas de fuites. Ne pas serrer excessivement, ceci pourrait endommager les robinets.
4. S'assurer d'avoir récupéré tous vos outils.
5. Vérifier que la sangle d'expédition a été retirée à l'arrière du lave-linge et qu'il a été utilisé pour l'arrimage du tuyau de vidange. Si la sangle n'a pas été totalement retirée, le lave-linge peut vibrer et être bruyant.

6. Brancher le cordon électrique dans une prise reliée à la terre.

REMARQUE : Sur certains modèles, lors des tests à l'usine, le bouton de la minuterie est engagé (exécution partielle d'un programme) et le bouton de mise en marche est enfoncé. Laisser la minuterie provoquer la poursuite du programme jusqu'à la fin. Lorsque le programme est terminé, la minuterie se réarme et le bouton reprend sa position de mise en marche. Si on ne laisse pas la minuterie commander le déroulement du programme jusqu'à la fin et le réarmement, le lavage de la première charge ne sera pas exécuté correctement.

Liste de contrôle pour le fonctionnement du lave-linge :

Si le lave-linge ne fonctionne pas correctement, vérifier ce qui suit :

1. Le cordon d'alimentation est branché.
2. Le disjoncteur ne s'est pas déclenché ou aucun fusible n'est grillé.
3. La minuterie a été avancée pour commencer un programme.
4. Les robinets d'eau chaude et d'eau froide sont ouverts.
5. Les tuyaux d'arrivée d'eau et de vidange ne sont pas déformés.
6. Le couvercle du lave-linge est fermé.
7. La valve d'arrivée d'eau n'est pas gelée si elle n'est pas protégée des intempéries.
8. Niveau de mousse. Une quantité excessive de mousse ralentira l'essorage et produira un rinçage médiocre. Exécuter un programme complet sans utiliser de détergent. Utiliser moins de détergent ou un détergent au niveau de mousse contrôlé pour les prochaines charges.

Si vous avez besoin d'assistance :

Communiquer avec votre distributeur d'ensemble de buanderie commercial Maytag® autorisé. Pour localiser votre distributeur d'ensemble de buanderie commercial Maytag® autorisé, ou pour des demandes de renseignements sur Internet, visitez le site Web www.MaytagCommercialLaundry.com.

Lors de l'appel, vous aurez besoin des numéros de modèle et de série du lave-linge. Vous trouverez ces deux numéros sur la plaque signalétique située sous le couvercle.

Conseils d'utilisation

⚠ AVERTISSEMENT



Risque d'incendie

Ne jamais mettre des articles humectés d'essence ou d'autres fluides inflammables dans le lave-linge.

Aucun lave-linge ne peut complètement enlever l'huile.

Ne pas faire sécher des articles qui ont été salis par tout genre d'huile (y compris les huiles de cuisson).

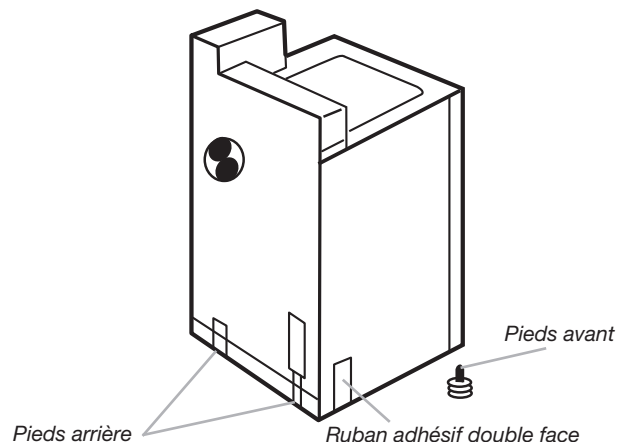
Le non-respect de ces instructions peut causer un décès, une explosion ou un incendie.

Tailles typiques de chargement complet

| Type de chargement | Suggestion de chargement | Type de chargement | Suggestion de chargement |
|--------------------|---|-----------------------------|--|
| Charge mixte | 3 draps doubles 4 taies d'oreiller 6 shorts 8 tee-shirts 2 chemises 2 chemisiers 8 mouchoirs | Vêtements de travail lourds | 3 pantalons 3 chemises 1 salopette 4 jeans 1 ensemble |
| Pressage permanent | 2 draps simples ou 1 très grand 1 nappe 1 robe 1 chemisier 2 pantalons décontractés 3 chemises 2 taies d'oreiller | Tricots | 3 chemisiers 4 pantalons décontractés 6 chemises 4 hauts 4 robes |

En cas de déplacement du lave-linge à un nouvel emplacement

- Retirer les pieds avant de la base du lave-linge.
- Placer les deux pieds de nivellement arrière en position élevée et fixer à l'aide de ruban adhésif.
- Appliquer du ruban adhésif sur les côtés et le bas du placard à l'arrière de celui-ci.
- Ouvrir le couvercle du lave-linge; insérer une couverture entre la couronne de la cuve et le sommet de la caisse pour limiter les mouvements de la cuve.



PARAMÉTRAGE DES COMMANDES ÉLECTRONIQUES

UTILISATION BASIQUE DU LAVE-LINGE À USAGE COMMERCIAL

- Pour des renseignements supplémentaires, voir www.MaytagCommercialLaundry.com.
- Cette fiche technique n'est pas destinée aux modèles antérieurs à la série MAT14.

⚠ AVERTISSEMENT



Risque de choc électrique

Déconnecter la source de courant électrique avant l'entretien. Replacer pièces et panneaux avant de faire la remise en marche.

Le non-respect de ces instructions peut causer un décès ou un choc électrique.

IMPORTANT

Circuits électroniques sensibles aux décharges électrostatiques

Le risque de décharge électrostatique est permanent. Une décharge électrostatique peut détruire ou détériorer les circuits électroniques de la machine. La nouvelle carte peut sembler fonctionner correctement après la réparation, mais une décharge électrostatique peut lui avoir fait subir des contraintes qui provoqueront une défaillance plus tard.

- Utiliser un bracelet de décharge électrostatique. Connecter le bracelet de décharge électrostatique au point vert de raccordement à la terre ou à une surface métallique non peinte à l'intérieur de l'appareil.

-OU-

Toucher plusieurs fois de suite avec le doigt un point vert de raccordement à la terre ou une surface métallique non peinte à l'intérieur de l'appareil.

- Avant de retirer la pièce de son sachet, placer le sachet antistatique en contact avec la vis verte de liaison à la terre ou une surface métallique non peinte de l'appareil.
- Éviter de toucher les composants électroniques ou les broches de contact ; manipuler les circuits électroniques de la machine uniquement par les bords.
- Lors du ré-emballage des circuits électroniques de la machine défaillante dans le sachet antistatique, observer les instructions ci-dessus.

INFORMATIONS GÉNÉRALES POUR L'UTILISATEUR

Affichage vide

Ce problème indique que la machine est défectueuse. Entrer au mode de réglage pour voir le code de diagnostique.

"0 Minutes" apparaît sur l'affichage

Ce problème indique qu'il n'est pas possible de faire fonctionner la machine. Les pièces introduites ou le débit par carte engagé pendant cette phase sont stockés en avoir, mais ne sont pas utilisables tant que le fonctionnement normal n'est pas rétabli par l'ouverture et la fermeture de la porte. Si un commutateur de porte échoue, il doit être remplacé pour que le fonctionnement normal soit rétabli.

Démarrage à froid (première utilisation)

Le lave-linge est programmé à l'usine comme suit :

- Période de lavage de 11 minutes
- 1 rinçage et 2 minutes d'agitation (rinçage)
- Prix du lavage : 1,75 \$ (modèles PD)
- Prix du lavage : 0,00 \$ (modèles PR)

Remise en marche (après une interruption de l'alimentation)

Après un délai qui peut atteindre 8 secondes, l'état initial du lave-linge (au moment de l'interruption de l'alimentation) est restauré.

Programmes gratuits

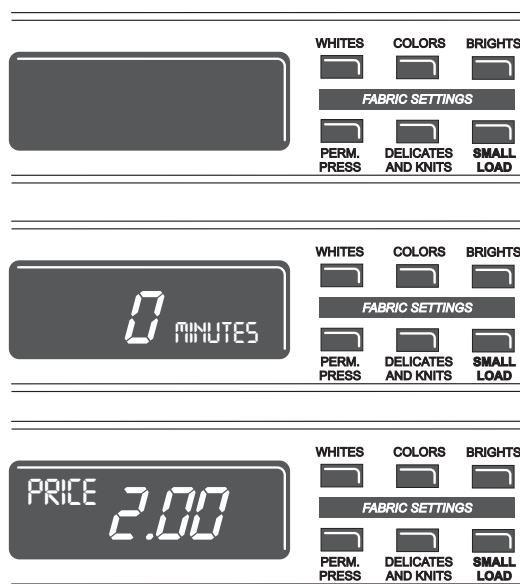
Pour ceci, on règle le prix de l'utilisation à zéro ; l'afficheur présente alors "SELECT CYCLE" (sélectionner un programme) plutôt que le prix d'un programme.

Prêt pour carte de débit

Ce lave-linge est préconfiguré pour l'utilisation des cartes de débit. Il accepte une variété de systèmes de paiement par carte de débit, mais il n'est PAS fourni avec un lecteur de cartes de débit. Voir les instructions fournies par le fabricant du lecteur de cartes de débit pour connaître le réglage adéquat du lave-linge. Pour les modèles convertis au système de carte de débit Génération 1, les pulsations de débit représentent l'équivalent d'une pièce (pièce 1).

Afficheur

Après l'installation initiale et le branchement du lave-linge, l'afficheur présente "0 MINUTES". Après le branchement du lave-linge et l'ouverture et la fermeture de la porte du lave-linge, l'afficheur présente le prix. Si le lave-linge est réglé pour l'utilisation gratuite, l'afficheur présente "SELECT CYCLE" (sélectionner un programme) avec clignotement.



PROCÉDURES DE RÉGLAGE DES SYSTÈMES DE COMMANDE

IMPORTANT : Lire la totalité des instructions avant l'utilisation.

Pour le réglage des systèmes de commande, on utilise les touches de réglage inférieures (tissu) et l'afficheur numérique. L'afficheur peut présenter 4 chiffres et/ou lettres et un point décimal. Ils indiquent les codes de paramétrage et les valeurs connexes disponibles pour la programmation du lave-linge.

Utilisation des touches pour la programmation des systèmes de commande

1. La touche INFÉRIEURE DE GAUCHE permet la sélection des valeurs associées aux codes de paramétrage. Une pression sur la touche fait augmenter la valeur. Une pression constante sur la touche permet un ajustement rapide.
2. La touche INFÉRIEURE CENTRALE commande la progression parmi les codes de paramétrage. Une pression sur la touche provoque le passage au code de paramétrage suivant. Une pression constante sur la touche commande le défilement automatique des codes à raison d'un (1) code par seconde.
3. La touche INFÉRIEURE DE DROITE permet de sélectionner/désélectionner les options.

Paramétrage pour la mise en marche

- Modèles PD : Insérer la clé de la porte d'accès ; ensuite tourner et soulever pour enlever la porte d'accès.
- Modèles PR : Après installation du lecteur de cartes de débit (conformément aux instructions du fabricant du lecteur de cartes), pour accéder au mode de paramétrage, insérer la carte de paramétrage manuel (fournie par le fabricant du lecteur de cartes) dans le lecteur de cartes. Si une carte de paramétrage manuel n'est pas disponible, on peut également enlever le connecteur AA1 sur la plaquette de circuits imprimés pour accéder au mode de paramétrage manuel.

IMPORTANT : Ne pas ouvrir la console avant d'avoir débranché le lave-linge de toute source de courant électrique. Pour accéder au connecteur AA1 :

- Débrancher le lave-linge ou déconnecter la source de courant électrique.
- Ouvrir la console, débrancher le connecteur AA1 ; refermer la console.
- Brancher le lave-linge ou reconnecter la source de courant électrique.

Le lave-linge est maintenant en mode de paramétrage.

REMARQUE : Il n'est pas nécessaire de configurer le système de commande pour faire fonctionner le lave-linge. Ces procédures ne sont nécessaires que lorsqu'on désire personnaliser le système de commande.

CODES DE PARAMÉTRAGE

- La touche INFÉRIEURE CENTRALE permet de passer de code en code.
- La touche INFÉRIEURE DE GAUCHE permet de changer la valeur du code.
- La touche INFÉRIEURE DE DROITE permet de sélectionner ou désélectionner les options.

POUR LES MODÈLES PR : Les codes de paramétrage sont identiques au modèle PD, sauf indication contraire.

Le code de paramétrage est indiqué par un ou deux caractères à gauche. La valeur du code de paramétrage est indiquée par 2 ou 3 caractères à droite.

| CODE | EXPLICATION |
|-------------|---|
| <u>6.07</u> | PRIX POUR PROGRAMME RÉGULIER |
| <u>6.07</u> | Ceci représente le nombre de pièces de 0,25 \$ (pièce 1) ; réglage de 0 à 39. (Voir VALEUR POUR PIÈCE 1.) Sélectionner une valeur de 0 à 39 : appuyer sur la touche INFÉRIEURE DE GAUCHE. Configuré à l'usine pour 7 pièces de 0,25 \$ = 1,75 \$. MODÈLES PR SEULEMENT : Configuré à l'usine pour 0 pièce. → Appuyer une fois sur la touche INFÉRIEURE CENTRALE pour passer au code suivant. |
| <u>7.11</u> | DURÉE DU LAVAGE |
| <u>7.11</u> | Nombre de minutes de la période de LAVAGE. Sélectionner une valeur entre 8 et 20 minutes en appuyant sur la touche INFÉRIEURE DE GAUCHE. → Appuyer une fois sur la touche INFÉRIEURE CENTRALE pour passer au code suivant. |
| <u>8.21</u> | PROGRAMMES DE RINÇAGE |
| <u>8.21</u> | Il s'agit de la durée et du nombre total de de rinçages. La durée de chaque période d'agitation (rinçage) est de 1 à 4 minutes ; on peut choisir 1 ou 2 rinçages. Le chiffre du milieu représente la durée de la période d'agitation (rinçage) et le chiffre de droite représente le nombre de rinçages. On fait changer la valeur affichée selon la séquence suivante (11, 21, 31, 41, 12, 22, 32, 42) par des pressions sur la touche INFÉRIEURE DE GAUCHE. Appuyer une fois sur la touche INFÉRIEURE CENTRALE pour passer au code suivant. Pour le programme DELICATES & KNITS (articles délicats/tricots), la durée fixe de période d'agitation (rinçage) est d'une minute. → Appuyer une fois sur la touche INFÉRIEURE CENTRALE pour passer au code suivant. |
| <u>9.00</u> | OPTION DE COMPTAGE DU NOMBRE DE PROGRAMMES Cette option peut être SÉLECTIONNÉE "ON" (active) ou DÉSÉLECTIONNÉE "OFF" (inactive). |
| <u>9.00</u> | Désélectionnée "OFF". |
| <u>9.00</u> | Option sélectionnée "ON" et impossible à désélectionner. Appuyer 3 fois consécutives sur la touche INFÉRIEURE DE DROITE pour sélectionner "ON" (active). Une fois "ON" sélectionnée, on ne peut plus la désélectionner. → Appuyer une fois sur la touche INFÉRIEURE CENTRALE pour passer au code suivant. |

| CODE | EXPLICATION |
|---|--|
| 1.00 | OPTION COMPTEUR DE MONNAIE Cette option peut être SÉLECTIONNÉE "ON" (active) ou DÉSÉLECTIONNÉE "OFF" (inactive). |
| 1.00 | Désélectionnée "OFF". |
| 1.00 | Sélectionnée "ON". Appuyer 3 fois consécutives sur la touche INFÉRIEURE DE DROITE pour sélectionner "ON" (active); appuyer 3 fois sur la touche pour désélectionner l'option. Le compteur passe de "OFF" (inactive) à "ON" (active). |
| 1.00 | Option "ON" sélectionnée et impossible à désélectionner. Pour sélectionner "ON" avec impossibilité de désélection, sélectionner d'abord "ON". Puis en moins de deux secondes appuyer deux fois sur la touche INFÉRIEURE DE DROITE et une fois sur la touche INFÉRIEURE DE GAUCHE, et quitter le mode de paramétrage. → Appuyer une fois sur la touche INFÉRIEURE CENTRALE pour passer au code suivant. |
| 2.00 | OPTION DE PRIX SPÉCIAL Cette option peut être SÉLECTIONNÉE "ON" (active) ou DÉSÉLECTIONNÉE "OFF" (inactive). |
| 2.00 | Désélectionnée "OFF". |
| 2.5P | Sélectionnée "ON". Appuyer une fois sur la touche INFÉRIEURE DE DROITE pour cette sélection. Si l'OPTION DE PRIX SPÉCIAL est sélectionnée, on a accès aux codes « 3. » à « 9. ». → Appuyer une fois sur la touche INFÉRIEURE CENTRALE pour passer au code suivant. |
| OPTIONS DISPONIBLES SI L'OPTION DE PRIX SPÉCIAL A ÉTÉ SÉLECTIONNÉE : | |
| 3.07 | PRIX POUR PROGRAMME SPÉCIAL |
| 3.07 | Ceci représente le nombre de pièces de 0,25 \$ (pièce 1) ; réglage de 0 à 39. (Voir VALEUR POUR PIÈCE 1.) Sélectionner une valeur de 0 à 39 : appuyer sur la touche INFÉRIEURE DE GAUCHE. Configuré à l'usine pour 7 pièces de 0,25 \$ = 1,75 \$. MODÈLES PR SEULEMENT : Configuré à l'usine pour 0 pièce. → Appuyer une fois sur la touche INFÉRIEURE CENTRALE pour passer au code suivant. |
| OPTIONS DISPONIBLES SI L'OPTION DE PRIX SPÉCIAL A ÉTÉ SÉLECTIONNÉE (suite) : | |
| 5.00 | HORLOGE – MINUTES |
| 5.00 | Sélection du nombre de minutes pour l'HORLOGE ; sélectionner une valeur de 0 à 59 minutes : appuyer sur la touche INFÉRIEURE DE GAUCHE. → Appuyer une fois sur la touche INFÉRIEURE CENTRALE pour passer au code suivant. |
| 5.00 | HORLOGE – HEURES REMARQUE : Utilisation du format 24 h (heure militaire). |
| 5.00 | Sélection du nombre d'heures pour l'HORLOGE ; sélectionner une valeur de 0 à 23 heures en appuyant sur la touche INFÉRIEURE DE GAUCHE. → Appuyer une fois sur la touche INFÉRIEURE CENTRALE pour passer au code suivant. |

| CODE | EXPLICATION | | | | | | | | | | | | | | | | | | | | | | | | |
|-----------|--|--------------------|--------------------|--------------------|----|-------------------|----|----|----------------|----|----|----------------|----|----|-------------------|----|----|----------------|----|----|-------------------|----|----|-----------------|----|
| 7.00 | PRIX SPÉCIAL – HEURE DE COMMENCEMENT REMARQUE : Utilisation du format 24 h. | | | | | | | | | | | | | | | | | | | | | | | | |
| 7.00 | C'est l'heure de commencement de cette tarification ; 0 à 23 heures. Sélectionner START HOUR (heure de commencement) : appuyer sur la touche INFÉRIEURE DE GAUCHE. → Appuyer une fois sur la touche INFÉRIEURE CENTRALE pour passer au code suivant. | | | | | | | | | | | | | | | | | | | | | | | | |
| 8.00 | PRIX SPÉCIAL – HEURE D'EXPIRATION REMARQUE : Utilisation du format 24 h (heure militaire). | | | | | | | | | | | | | | | | | | | | | | | | |
| 8.00 | Sélection de l'heure d'expiration pour cette tarification ; 0 à 23 heures. Sélectionner START HOUR (heure de commencement) : appuyer sur la touche INFÉRIEURE DE GAUCHE. → Appuyer une fois sur la touche INFÉRIEURE CENTRALE pour passer au code suivant. | | | | | | | | | | | | | | | | | | | | | | | | |
| 9.10 | JOUR POUR PRIX SPÉCIAL | | | | | | | | | | | | | | | | | | | | | | | | |
| 9.10 | Ceci représente le jour de la semaine sélectionné, et la sélection de la tarification spéciale pour ce jour. Un chiffre suivi de "0" indique que cette option n'est pas sélectionnée pour le jour particulier concerné (9.10). Un chiffre suivi d'un "S" indique que cette option est sélectionnée pour le jour concerné (9.1S). Pour sélectionner le jour de la semaine (1 à 7), appuyer sur la touche INFÉRIEURE DE GAUCHE. Appuyer une fois sur la touche INFÉRIEURE DE GAUCHE pour sélectionner l'option de prix spécial pour chaque jour choisi. Le jour de la semaine doit apparaître sur l'afficheur au moment de sortir du code de paramétrage "9." : <table border="1"> <thead> <tr> <th>AFFICHAGE</th> <th>JOUR DE LA SEMAINE</th> <th>CODE (sélectionné)</th> </tr> </thead> <tbody> <tr> <td>10</td> <td>Jour 1 = Dimanche</td> <td>1S</td> </tr> <tr> <td>20</td> <td>Jour 2 = Lundi</td> <td>2S</td> </tr> <tr> <td>30</td> <td>Jour 3 = Mardi</td> <td>3S</td> </tr> <tr> <td>40</td> <td>Jour 4 = Mercredi</td> <td>4S</td> </tr> <tr> <td>50</td> <td>Jour 5 = Jeudi</td> <td>5S</td> </tr> <tr> <td>60</td> <td>Jour 6 = Vendredi</td> <td>6S</td> </tr> <tr> <td>70</td> <td>Jour 7 = Samedi</td> <td>7S</td> </tr> </tbody> </table> → Appuyer une fois sur la touche INFÉRIEURE CENTRALE pour passer au code suivant. | AFFICHAGE | JOUR DE LA SEMAINE | CODE (sélectionné) | 10 | Jour 1 = Dimanche | 1S | 20 | Jour 2 = Lundi | 2S | 30 | Jour 3 = Mardi | 3S | 40 | Jour 4 = Mercredi | 4S | 50 | Jour 5 = Jeudi | 5S | 60 | Jour 6 = Vendredi | 6S | 70 | Jour 7 = Samedi | 7S |
| AFFICHAGE | JOUR DE LA SEMAINE | CODE (sélectionné) | | | | | | | | | | | | | | | | | | | | | | | |
| 10 | Jour 1 = Dimanche | 1S | | | | | | | | | | | | | | | | | | | | | | | |
| 20 | Jour 2 = Lundi | 2S | | | | | | | | | | | | | | | | | | | | | | | |
| 30 | Jour 3 = Mardi | 3S | | | | | | | | | | | | | | | | | | | | | | | |
| 40 | Jour 4 = Mercredi | 4S | | | | | | | | | | | | | | | | | | | | | | | |
| 50 | Jour 5 = Jeudi | 5S | | | | | | | | | | | | | | | | | | | | | | | |
| 60 | Jour 6 = Vendredi | 6S | | | | | | | | | | | | | | | | | | | | | | | |
| 70 | Jour 7 = Samedi | 7S | | | | | | | | | | | | | | | | | | | | | | | |
| 9.00 | OPTION AFFICHAGE DU CONTENU DU COFFRE Cette option peut être SÉLECTIONNÉE "ON" ou DÉSÉLECTIONNÉE "OFF". | | | | | | | | | | | | | | | | | | | | | | | | |
| 9.00 | Désélectionnée "OFF". | | | | | | | | | | | | | | | | | | | | | | | | |
| 9.50 | Sélectionnée "ON". Appuyer une fois sur la touche INFÉRIEURE DE DROITE pour cette sélection. Lorsque l'option est sélectionnée, le montant d'argent et/ou le nombre de programmes (si on a sélectionné le comptage) sont visibles lorsque la boîte à pièces a été enlevée. → Appuyer une fois sur la touche INFÉRIEURE CENTRALE pour passer au code suivant. | | | | | | | | | | | | | | | | | | | | | | | | |
| 5.05 | VALEUR DE LA PIÈCE 1 | | | | | | | | | | | | | | | | | | | | | | | | |
| 5.05 | Ceci représente la valeur de la pièce 1, en multiples de 0,05 \$: 05 = 0,25 \$. Par des pressions sur la touche INFÉRIEURE DE GAUCHE, on peut sélectionner une valeur de 1 à 199 pièces. → Appuyer une fois sur la touche INFÉRIEURE CENTRALE pour passer au code suivant. | | | | | | | | | | | | | | | | | | | | | | | | |

| CODE | EXPLICATION |
|-------------|---|
| <u>C.20</u> | VALEUR DE LA PIÈCE 2 |
| <u>C.20</u> | Ceci représente la valeur de la pièce 2, en nombre de pièces : 20 = 1 \$. Modèles PR : Configuré à l'usine pour 0,25 \$. En appuyant sur la touche À PRESSION PERMANENTE, on peut sélectionner une valeur de 1 à 199 pièces. → Appuyer une fois sur la touche INFÉRIEURE CENTRALE pour passer au code suivant. |
| <u>d.00</u> | OPTION GLISSIÈRE À PIÈCES Cette option peut être SÉLECTIONNÉE "ON" ou DÉSÉLECTIONNÉE "OFF". |
| <u>d.00</u> | Désélectionnée "OFF". |
| <u>d.05</u> | Sélectionnée "ON". Appuyer 3 fois consécutives sur la touche INFÉRIEURE DE DROITE pour cette sélection. Lorsqu'on sélectionne le mode de glissière à pièces, sélectionner une valeur 'b.' égale à la valeur des pièces placées dans la glissière. Paramétrer l'étape 6 (prix pour programme régulier) et l'étape 3 (prix pour programme spécial) pour le nombre de manœuvres de la glissière. REMARQUE : Si l'installateur sélectionne le paramétrage "CS" sur un modèle à pièces, le lave-linge n'enregistrera pas les pièces. → Appuyer une fois sur la touche INFÉRIEURE CENTRALE pour passer au code suivant. |
| <u>E.00</u> | OPTION ADDITION DE PIÈCES Cette option peut être SÉLECTIONNÉE "ON" ou DÉSÉLECTIONNÉE "OFF". Cette option commande l'affichage du nombre de pièces (pièce 1) à insérer, plutôt que d'un montant monétaire. |
| <u>E.00</u> | Désélectionnée "OFF". |
| <u>E.RC</u> | Sélectionnée "ON". Appuyer 3 fois consécutives sur la touche INFÉRIEURE DE DROITE pour cette sélection. → Appuyer une fois sur la touche INFÉRIEURE CENTRALE pour passer au code suivant. |
| <u>F.00</u> | OPTION TARIFICATION AMÉLIORÉE |
| <u>F.00</u> | Désélectionnée "OFF". |
| <u>F.CP</u> | Activation de la tarification basée sur le programme. Cette option permet de configurer des prix différents pour les programmes de lavage avec eau chaude, eau tiède et eau froide. Appuyer sur la touche INFÉRIEURE DE DROITE pour cette sélection. |
| <u>F.5u</u> | Programme super-tarification activé. Cette option permet au client d'ajouter de l'argent pour rehausser sa sélection. Les codes de paramétrage "H." et "h." ne s'affichent que si cette option a été préalablement activée. Appuyer sur la touche INFÉRIEURE DE DROITE pour cette sélection. → Appuyer une fois sur la touche INFÉRIEURE CENTRALE pour passer au code suivant. |

| CODE | EXPLICATION |
|-------------|---|
| <u>H.01</u> | PROGRAMME SUPER-TARIFICATION/AMÉLIORATION (omis, sauf si le programme super-tarification est activé.) |
| <u>H.01</u> | Ceci représente le nombre de pièces 1 nécessaires pour l'accès au super programme à partir du programme de base. Sélectionner une valeur de 0 à 39 : appuyer sur la touche INFÉRIEURE DE GAUCHE. → Appuyer une fois sur la touche INFÉRIEURE CENTRALE pour passer au code suivant. |
| <u>h.01</u> | TYPE DE SUPER PROGRAMME (Omisi, sauf si le programme super-tarification est activé.) |
| <u>h.01</u> | Ceci représente l'option super programme/amélioration. Appuyer la touche INFÉRIEURE DE GAUCHE pour sélectionner l'un des 3 niveaux d'amélioration : 01 – lavage amélioré, avec 3 minutes additionnelles de lavage en plus de la durée programmée. 02 – rinçage additionnel pour tous les programmes. 03 – 01 et 02. → Appuyer une fois sur la touche INFÉRIEURE CENTRALE pour passer au code suivant. |
| | OPTION PIÈCES/DÉBIT |
| | Sélection du paiement par pièces et par carte de débit. |
| | Paiement par pièces sélectionné ; paiement par carte de débit désactivé. Appuyer sur la touche INFÉRIEURE DE DROITE pour cette sélection. |
| | Paiement par carte de débit sélectionné, paiement par pièces désactivé. Appuyer sur la touche INFÉRIEURE DE DROITE pour cette sélection. |
| | L'option de paiement améliorée/carte de débit est sélectionnée automatiquement lors de l'installation d'un lecteur de carte Génération 2 sur le lave-linge. On ne peut sélectionner/désélectionner manuellement l'option "Ed". → Appuyer une fois sur la touche INFÉRIEURE CENTRALE pour passer au code suivant. |
| | OPTION SUPPRESSION DU PRIX Lorsque cette option est sélectionnée, l'afficheur présente le message "ADD" (ajouter) ou "AVAILABLE" (disponible) plutôt que le montant monétaire à ajouter. (Utilisation principalement avec l'emploi du paiement par carte de débit.) |
| | Désélectionnée "OFF". |
| | Sélectionnée "ON". Appuyer une fois sur la touche INFÉRIEURE DE DROITE pour cette sélection. → Appuyer une fois sur la touche INFÉRIEURE CENTRALE pour passer au code suivant. |

| CODE | EXPLICATION |
|------|--|
| | OPTION EFFACEMENT DU MONTANT MÉMORISÉ Lorsque cette option est sélectionnée, un montant conservé en mémoire est effacé après 30 minutes sans activité de paiement ou de programme. |
| | Sélectionnée "ON". |
| | Désélectionnée "OFF". Appuyer une fois sur la touche INFÉRIEURE DE DROITE pour désélectionner cette sélection. → Appuyer une fois sur la touche INFÉRIEURE CENTRALE pour passer au code suivant. |
| | INCRÉMENT CENTIME |
| | Ceci représente la valeur de l'incrément de prix utilisé sur le modèle PR Génération 2 (paiement par carte de débit amélioré). Appuyer sur la touche INFÉRIEURE DE GAUCHE pour sélectionner une valeur de 0 à 4 centimes. → Appuyer une fois sur la touche INFÉRIEURE CENTRALE pour passer au code suivant. |

Si le compteur de programme (9.0C) est sélectionné, ce qui suit est vrai :

100 Représente le nombre de programmes, en CENTAINES. $1 \underline{02} = 200$

200 Représente le nombre de programmes, en UNITÉS. $2 \underline{25} = 25$

TOTAL PROGRAMMES = 225

Cette information est "SEULEMENT AFFICHÉE" ; on ne peut l'effacer.

Appuyer une fois sur la touche INFÉRIEURE CENTRALE pour passer au code suivant.

Si le compteur monétaire (1.0C ou 1.C0) est sélectionné, ce qui suit est vrai :

300 Montant en CENTAINES. $3 \underline{01} = 100,00$

400 Montant en UNITÉS. $4 \underline{68} = 68,00$

500 Montant en CENTIMES. $5 \underline{75} = 0,75$

TOTAL = 168,75

FIN DES PROCÉDURES DE PARAMÉTRAGE

QUITTER LE MODE DE PARAMÉTRAGE

■ Modèles PD : Réinstaller la porte d'accès.

■ Modèles PR :

- Débrancher le lave-linge ou déconnecter la source de courant électrique.
- Ouvrir la console, remettre en place le connecteur AA1 ; fermer la console.
- Brancher le lave-linge ou reconnecter la source de courant électrique.

GARANTIE DE LA LAVEUSE ET SÈCHEUSE COMMERCIALES À CHARGE UNIQUE OU MULTI-CHARGE PAYANTES

GARANTIE LIMITÉE SUR LES PIÈCES

Pendant les cinq premières années à compter de la date d'achat, lorsque cet appareil ménager à usage commercial est installé, entretenu et utilisé conformément aux instructions jointes ou fournies avec le produit, la marque Maytag de Whirlpool Corporation (ci-après désignée "Maytag") paiera pour les pièces spécifiées par l'usine ou pour les pièces originales du fabricant de l'équipement pour corriger tout vice de matériau ou de fabrication. Une preuve de la date d'achat d'origine est exigée pour obtenir un service dans le cadre de la présente garantie.

MAYTAG NE PRENDRA PAS EN CHARGE :

1. Tout autre coût y compris la main-d'œuvre, le transport ou les droits de douane.
 2. Les visites de service pour rectifier l'installation de l'appareil ménager à usage commercial, montrer à l'utilisateur comment utiliser l'appareil ménager à usage commercial, remplacer ou réparer des fusibles ou rectifier le câblage ou la plomberie du domicile.
 3. Les réparations lorsque l'appareil ménager à usage commercial est utilisé à des fins autres qu'un usage commercial normal.
 4. Les dommages imputables à : mauvaise manipulation du produit lors de la livraison, vol, accident, modification, usage impropre ou abusif, incendie, inondation, actes de Dieu, installation fautive ou installation non conforme aux codes locaux d'électricité ou de plomberie, ou l'utilisation de produits non approuvés par Maytag.
 5. Le ramassage et la livraison. Cet appareil ménager à usage commercial est conçu pour être réparé sur site.
 6. Les réparations aux pièces ou systèmes résultant d'une modification non autorisée faite à l'appareil ménager à usage commercial.
 7. L'enlèvement et la réinstallation de l'appareil ménager à usage commercial si celui-ci est installé dans un endroit inaccessible ou n'est pas installé conformément aux instructions d'installation fournies.
 8. Aucun dommage dû à des produits chimiques n'est couvert par la garantie.
 9. Des modifications apportées à l'immeuble, à la pièce ou aux lieux afin de permettre à l'appareil ménager à usage commercial de fonctionner correctement.
 10. Réparations effectuées par un technicien de réparation agréé employé par une autre compagnie que Whirlpool.
-

CLAUSE D'EXONÉRATION DE RESPONSABILITÉ AU TITRE DES GARANTIES IMPLICITES; LIMITATION DES RECOURS

LE SEUL ET EXCLUSIF RECOURS DU CLIENT DANS LE CADRE DE LA PRÉSENTE GARANTIE LIMITÉE CONSISTE EN LA RÉPARATION PRÉVUE CI-DESSUS. LES GARANTIES IMPLICITES, Y COMPRIS LES GARANTIES APPLICABLES DE QUALITÉ MARCHANDE OU D'APTITUDE À UN USAGE PARTICULIER, SONT LIMITÉES À UN AN OU À LA PLUS COURTE PÉRIODE AUTORISÉE PAR LA LOI. WHIRLPOOL N'ASSUME AUCUNE RESPONSABILITÉ POUR LES DOMMAGES FORTUITS OU INDIRECTS. CERTAINES JURIDICTIONS NE PERMETTENT PAS L'EXCLUSION OU LA LIMITATION DES DOMMAGES FORTUITS OU INDIRECTS, OU LES LIMITATIONS DE LA DURÉE DES GARANTIES IMPLICITES DE QUALITÉ MARCHANDE OU D'APTITUDE À UN USAGE PARTICULIER, DE SORTE QUE CES EXCLUSIONS OU LIMITATIONS PEUVENT NE PAS S'APPLIQUER DANS VOTRE CAS. CETTE GARANTIE VOUS CONFÈRE DES DROITS JURIDIQUES SPÉCIFIQUES ET VOUS POUVEZ ÉGALEMENT JOUIR D'AUTRES DROITS QUI PEUVENT VARIER D'UNE JURIDICTION À UNE AUTRE.

Si vous avez besoin de service, veuillez contacter votre distributeur autorisé de buanderie à usage commercial Maytag®. Pour localiser votre distributeur autorisé de buanderie à usage commercial Maytag® ou pour toute question via internet, consulter : www.MaytagCommercialLaundry.com.

Pour toute correspondance écrite :
Maytag® Commercial Laundry Service Department
2000 M-63 North
Benton Harbor, Michigan 49022

3/10

SEGURIDAD DE LA LAVADORA

Su seguridad y la seguridad de los demás es muy importante.

Hemos incluido muchos mensajes importantes de seguridad en este manual y en su electrodoméstico. Lea y obedezca siempre todos los mensajes de seguridad.



Este es el símbolo de advertencia de seguridad.

Este símbolo le llama la atención sobre peligros potenciales que pueden ocasionar la muerte o una lesión a usted y a los demás.

Todos los mensajes de seguridad irán a continuación del símbolo de advertencia de seguridad y de la palabra "PELIGRO" o "ADVERTENCIA". Estas palabras significan:

 **PELIGRO**

Si no sigue las instrucciones de inmediato, usted puede morir o sufrir una lesión grave.

 **ADVERTENCIA**

Si no sigue las instrucciones, usted puede morir o sufrir una lesión grave.

Todos los mensajes de seguridad le dirán el peligro potencial, le dirán cómo reducir las posibilidades de sufrir una lesión y lo que puede suceder si no se siguen las instrucciones.

ELIMINACIÓN DE LA LAVADORA



Este electrodoméstico está marcado de acuerdo con la directiva europea 2002/96/EC sobre Residuos de Equipos Eléctricos y Electrónicos (Waste Electrical and Electronic Equipment - WEEE).

Asegurándose de que este producto será eliminado correctamente, usted ayudará a prevenir consecuencias negativas potenciales para el medio ambiente y la salud humana, que podrían causarse por el manejo inapropiado de este producto.

El símbolo sobre el producto, o en los documentos que acompañan al producto, indica que este electrodoméstico no puede tratarse como basura doméstica. Contrariamente, deberá ser entregado al punto de recogida correspondiente para el reciclado de equipos eléctricos y electrónicos.

La eliminación debe llevarse a cabo de acuerdo con las regulaciones ambientales locales para la eliminación de basura.

Para información más detallada acerca del tratamiento, recuperación y reciclado de este producto, por favor, contacte con su oficina municipal local, su servicio de eliminación de basura doméstica o la tienda donde compró el producto.

REQUISITOS DE INSTALACIÓN

Piezas y herramientas

Reúna las herramientas y piezas necesarias antes de comenzar la instalación.

Herramientas necesarias

- Nivel
- Destornillador de hoja plana
- Cuchillo para uso general
- Alicates
- Tijeras
- Cubo
- Llave ajustable de 200 mm (8") ó 250 mm (10")

Piezas suministradas

Saque la bolsa de piezas de la lavadora. Verifique que estén todas las piezas.

- 1 abrazadera para manguera
- 2 patas niveladoras delanteras con tuercas
- 2 mangueras de entrada
- 1 manguera de desagüe
- 4 arandelas planas para manguera de agua
- Adaptador de la manguera

| Especificaciones técnicas: | Capacidad de ropa: |
|----------------------------|----------------------|
| 220 a 240 V, 50 Hz. AC | MAT14PD: 5,9 kg máx. |
| 650 vatios | |

Requisitos de ubicación

IMPORTANTE: No instale o almacene esta lavadora donde estará expuesta a la intemperie. No guarde ni haga funcionar su lavadora a temperaturas iguales o inferiores a 0°C (32°F). El agua que quede en la lavadora puede ocasionar daños a bajas temperaturas.

La instalación correcta es su responsabilidad.

Usted necesitará:

- Un calentador de agua fijado para suministrar a la lavadora agua a 60°C (140°F).
- Un enchufe eléctrico con conexión a tierra ubicado a una distancia no mayor de 1,2 m (4 pies) del lugar donde el cable eléctrico está fijado a la parte posterior de la lavadora. Vea "Requisitos eléctricos".
- Grifos de agua caliente y de agua fría ubicados a una distancia no mayor de 1,2 m (4 pies) de la parte posterior de la lavadora y una presión de agua de 69–690 kPa (10–100 lbs/pulg²). Debe usarse una válvula de reducción de presión en la línea de suministro donde la presión del agua de entrada hacia el edificio exceda 690 kPa (100 lb/pulg²) para prevenir daños a la válvula de mezcla de agua de la lavadora.
- Un suelo nivelado con un declive máximo de 25 mm (1 pulg) debajo de la lavadora.
- Un suelo resistente que sostenga el peso de la lavadora (la lavadora, el agua y la carga) de 143 kg (315 lb).
- Una contrahuella mínima de 300 mm (12") para suministrar un colchón de aire y evitar que haya ruido y daños a las válvulas, para una instalación única de la lavadora.
- Debe proveerse un desagüe por el piso bajo el tabique divisorio. Los tabiques prefabricados con contactos eléctricos, líneas de suministro de agua e instalaciones con desagües deben ser usados únicamente donde los códigos locales lo permitan.

NOTA: Se puede acceder al área de la bomba por el frente, quitando los tornillos TORX^{®†} de seguridad N° T20 y el panel frontal.

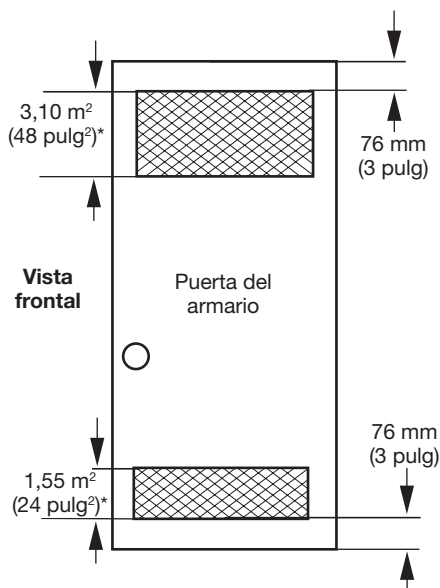
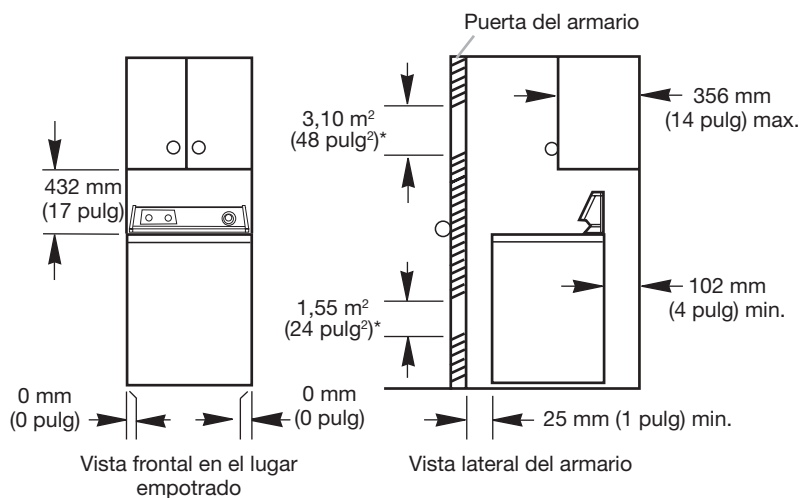
®† Torx es una marca registrada de Saturn Fasteners, Inc.

Instrucciones para la instalación empotrada o en armario

Esta lavadora podrá instalarse en un área empotrada o en un armario.

El espacio de instalación es en centímetros (pulgadas) y es el mínimo permitido. Debe considerarse espacio adicional para facilitar la instalación, el servicio técnico y el cumplimiento de los códigos y ordenanzas locales.

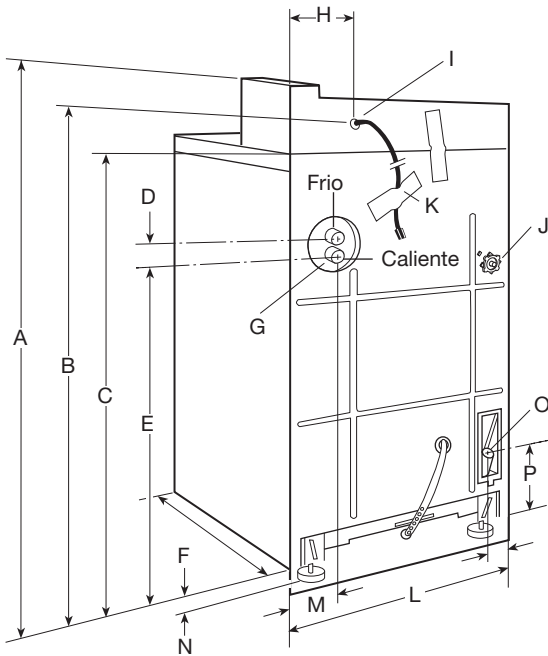
Si se instala la puerta del armario, se requieren aperturas mínimas de ventilación sin obstrucciones en la parte superior e inferior de la puerta. Se aceptan puertas tipo persianas con aperturas de aire equivalentes.



*La apertura es la mínima para la puerta del armario. Se aceptan puertas tipo persianas con aperturas de aire equivalentes.

- Debe considerarse espacio adicional para facilitar la instalación y el servicio técnico.
- Se podrían necesitar espacios libres adicionales para las molduras de la pared, de la puerta y del suelo.
- Para reducir la transferencia de ruidos, se recomiendan espacios libres adicionales de 25 mm (1") en todos los lados de la lavadora.
- También se debe considerar espacio adicional para otro electrodoméstico que le acompañe.

Medidas del producto



| | |
|-------------------------|---|
| A. 1,09 m (43 pulg) | I. Cable de suministro de energía |
| B. 970 mm (38 1/8 pulg) | J. Conector para la manguera de desagüe |
| C. 890 mm (35 pulg) | K. Etiqueta |
| D. 38 mm (1 1/2 pulg) | L. 685 mm (27 pulg) |
| E. 705 mm (27 3/4 pulg) | M. 133 mm (5 1/4 pulg) |
| F. 650 mm (25 1/2 pulg) | N. 25 mm (1 pulg) |
| G. Entradas de agua | O. Interruptor de nivel de agua y eje |
| H. 180 mm (7 pulg) | P. 127 mm (5 pulg) |

Sistema de desagüe

Sistema de desagüe por tubería vertical

El desagüe por tubería vertical necesita una tubería vertical con un diámetro mínimo de 50 mm (2 pulg). La capacidad mínima de desagüe no puede ser menor de 64 L (17 gal.) por minuto.

La parte superior de la tubería vertical debe tener una altura mínima de 990 mm (39 pulg) y máxima de 1,83 m (72 pulg) de la parte inferior de la lavadora.

Requisitos eléctricos

⚠ ADVERTENCIA



Peligro de descarga eléctrica

Conecte a un enchufe de pared de conexión a tierra.

No use un cable eléctrico de extensión ni una toma de corriente portátil.

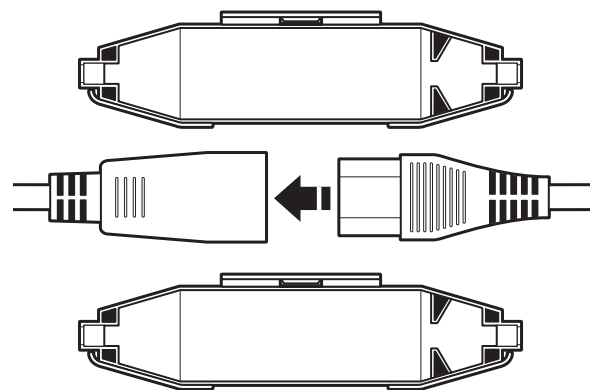
No seguir estas instrucciones puede ocasionar la muerte, incendio o descarga eléctrica.

- Se requiere una fuente de energía eléctrica de 220/240 Voltios/50 Hz., CA solamente y con fusibles de 10 amperios. Se recomienda un fusible retardador o un cortacircuitos. Así mismo se recomienda el uso de un circuito independiente que preste servicio únicamente a este aparato.
- Esta lavadora viene equipada con un cable eléctrico dotado de un enchufe con conexión a tierra. El enchufe debe quedar accesible para poder desconectarlo del suministro de energía.
- Si se ha dañado el cable de suministro de energía, deberá ser reemplazado por el fabricante, el agente de servicio o una persona similarmente calificada con el fin de evitar riesgos.

Cómo utilizar el cable universal provisto con esta lavadora:

Esta lavadora está equipada con un cable universal que tiene clavijas intercambiables.

1. Seleccione la clavija apropiada entre las clavijas provistas y engánchela al conector del cable principal.
2. Enganche a presión las dos mitades del cierre del cable por encima del conector para mantenerlo en su lugar.



INSTRUCCIONES PARA LA CONEXIÓN A TIERRA

Esta lavadora debe estar conectada a tierra. En el caso de funcionamiento defectuoso o avería, la conexión a tierra reducirá el riesgo de descarga eléctrica al proporcionar una vía de menor resistencia para la corriente eléctrica. Esta lavadora usa un cable que cuenta con un conductor para la conexión a tierra del equipo y un enchufe de conexión a tierra. La clavija debe conectarse en un enchufe apropiado, que esté debidamente instalado y conectado a tierra de acuerdo con todos los códigos y ordenanzas locales.

ADVERTENCIA: La conexión indebida del conductor a tierra para el equipo puede resultar en un riesgo de descarga eléctrica. Si no está seguro de que la conexión a tierra del aparato sea la adecuada, verifíquela con un electricista o técnico de servicio competente.

No modifique la clavija provista con el aparato – si no encaja en el enchufe, consulte con un electricista competente para instalar un enchufe adecuado.

INSTRUCCIONES DE INSTALACIÓN

Cómo quitar la correa de embalaje

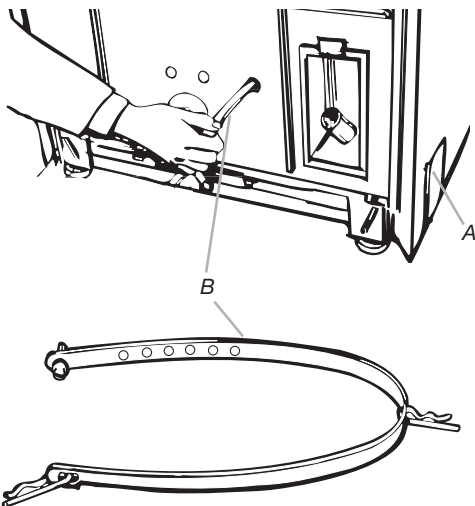
⚠ ADVERTENCIA

Peligro de Peso Excesivo

Utilice dos o más personas para mover e instalar la lavadora.

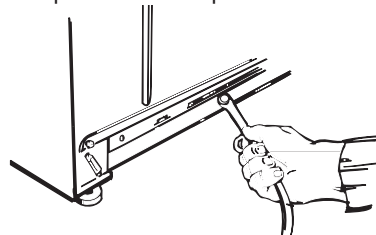
En caso de no seguir estas instrucciones se puede provocar una lesión en la espalda u otro tipo de lesiones.

1. Quite la cinta que cubre la correa de embalaje. Tire para quitar por completo la correa de embalaje con 2 clavijas del interior de la lavadora.



A. Cinta de embalaje
B. Correa de embalaje

2. Tire firmemente para quitar el extremo de la correa de embalaje de la parte posterior de la lavadora. Debe quitarse completamente el tapón de la correa de embalaje de la lavadora para soltar las patas autoniveladoras.



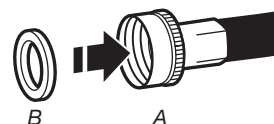
Guarde la correa de embalaje para usarla después.

Conecte las mangueras

Para proteger sus suelos de los daños ocasionados por las fugas de agua, conecte correctamente la manguera de desagüe. Lea y siga estas instrucciones.

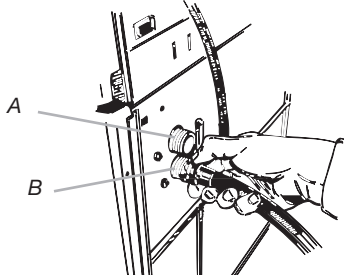
Conecte las mangueras de entrada a la lavadora

1. La lavadora debe estar conectada a los grifos de agua utilizando las mangueras de entrada nuevas provistas con el aparato. No vuelva a utilizar mangueras viejas. Inserte nuevas arandelas planas (suministradas) en cada extremo de las mangueras de entrada. Asiente firmemente las arandelas en los acoplamientos.



A. Acoplamiento
B. Arandela

- Sujete primero la manguera a la parte inferior de la apertura de la válvula de entrada.



A. Válvula de entrada de agua fría
B. Válvula de entrada de agua caliente

- Sujete la segunda manguera a la entrada superior. Apriete los acoplamientos a mano; luego use los alicates para darles dos tercios de vuelta adicionales.

NOTA: Las roscas de la válvula de entrada son de plástico. No las pele ni las entrecruce.

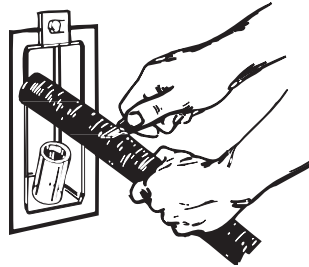
Conecte la manguera de desagüe

NOTA: Deslice la lavadora sobre un cartón o una madera antes de moverla por el suelo.

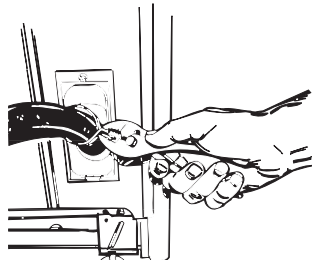
- Traslade la lavadora cerca de su ubicación final.
- Coloque el extremo de “gancho” de la manguera de desagüe en el fregadero o en la tubería vertical.
- Estime la longitud de manguera de desagüe que se necesita cuando la lavadora está en su posición final. La manguera debe cortarse exactamente a la medida para que el extremo de “gancho” esté bien sujeto sobre el borde de la tubería vertical.

Si la manguera de desagüe es muy larga, corte el extremo de la manguera. (No corte el extremo con forma de “gancho” de la manguera de desagüe).

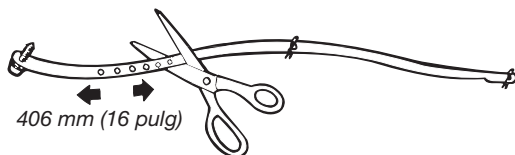
NOTA: No fuerce el exceso de la manguera de desagüe dentro de la tubería vertical. Esto puede ocasionar un efecto de sifón.



- Coloque la abrazadera de la manguera sobre el conector de desagüe de la lavadora. Empuje la manguera de desagüe hacia el conector de la lavadora. Use los alicates para abrir la abrazadera y deslice la abrazadera sobre la manguera de desagüe. Verifique que quepa bien.

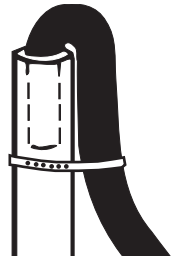


- Mida y haga una marca a aproximadamente 406 mm (16") del extremo de la clavija de la correa de embalaje. Corte la correa de embalaje en este lugar.



- Verifique que la manguera no esté enroscada o torcida y que esté asegurada en su lugar.

Coloque el extremo de “gancho” de la manguera de desagüe en la tubería vertical. Enrolle la correa de embalaje con firmeza alrededor de la tubería vertical. Empuje la clavija en el orificio más cercano en la correa de embalaje.



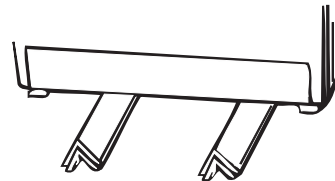
Conecte las mangueras de entrada a los grifos de agua

- Antes de sujetar las mangueras de entrada del agua a los grifos de agua, haga correr el agua por los dos grifos hacia un cubo. Esto hará deshacerse de las partículas en las líneas de agua que pueden bloquear las mangueras. Marque cuál es la manguera de agua caliente.
- Instale un adaptador de plástico negro para grifos en cada manguera de entrada.
- Sujete la manguera inferior (entrada marcada con “H”) a los grifos de agua caliente. Apriete el acoplamiento a los grifos con la mano.
- Sujete la manguera superior (entrada marcada con “C”) a los grifos de agua fría. Apriete el acoplamiento a los grifos con la mano.
- Use los alicates para apretar los acoplamientos dos tercios de vuelta adicionales.

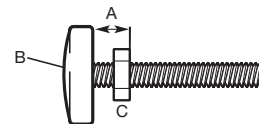
Nivelación de la lavadora

Instale las patas niveladoras delanteras

- Apile dos postes esquinales, uno sobre el otro. Incline la lavadora hacia atrás e inserte los postes esquinales de 76 mm (3 pulg) hacia adentro desde un lado de la lavadora, como se muestra. Repita con otros postes esquinales del otro lado de la lavadora.



- Use las patas niveladoras y las tuercas del paquete de partes. Atornille la tuerca hasta 13 mm (1/2 pulg) de la base.

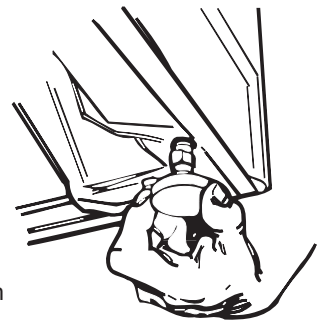


A. 13 mm (1/2 pulg)
B. Base
C. Tuerca

- Inserte las patas en los orificios adecuados en cada esquina frontal de la lavadora hasta que las tuercas toquen la lavadora. No apriete las tuercas hasta que la lavadora esté nivelada.

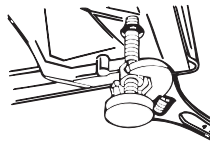
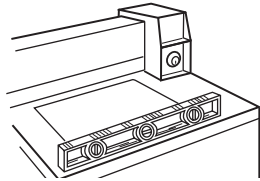
- Incline la lavadora hacia atrás y quite los postes esquinales. Baje lentamente la lavadora al suelo.

- Mueva la lavadora a su ubicación final. Quite el cartón o madera que se encuentra debajo de la lavadora.



Nivelación de la lavadora

1. Incline la lavadora hacia adelante alzando hacia atrás las patas 25 mm (1") por encima del suelo. Para ajustar las patas autoniveladoras traseras, baje lentamente la lavadora al suelo.
2. Revise si la lavadora está nivelada colocando un nivel en el borde superior de la lavadora, primero de lado a lado, luego del frente hacia atrás.
3. Si la lavadora no está nivelada, ajuste las patas de la misma hacia arriba o hacia abajo. Verifique por última vez si está nivelada.
4. Cuando la lavadora esté nivelada, use una llave para girar las tuercas de las patas delanteras hacia arriba firmemente contra la base de la lavadora. Si no se aprietan las tuercas contra la base de la lavadora, la lavadora podría vibrar.



Complete la instalación

1. Revise los requisitos eléctricos. Asegúrese de contar con la fuente de electricidad correcta y el método recomendado de conexión a tierra.
 2. Verifique que todas las piezas estén instaladas. Si hay alguna pieza extra, vuelva a revisar todos los pasos para ver cuál se omitió.
 3. Abra las llaves del agua y revise si hay fugas. Apriete los acoplamientos si hay fugas. No los apriete demasiado; esto podría dañar las llaves del agua.
 4. Verifique si tiene todas las herramientas.
 5. Verifique que la correa de embalaje se haya quitado de la parte trasera de la lavadora y se haya usado para asegurar la manguera de desagüe. Si no se quita la correa completa, la lavadora puede vibrar y hacer ruido.
 6. Enchufe el cable de suministro en un enchufe con conexión a tierra.
- NOTA:** En algunos modelos, durante las pruebas de fábrica, el temporizador ha sido parcialmente adelantado en el ciclo, ocasionando que el botón de inicio esté oprimido. Permita que el temporizador avance hasta el final del ciclo. Cuando el ciclo está completo, el temporizador se reajustará y el botón de inicio regresará a la posición de inicio. Si no se permite que avance el temporizador al final del primer ciclo y que se reajuste, la carga de la lavadora no se completará.

Lista de verificación para la operación de la lavadora:

Verifique lo siguiente si la lavadora no está funcionando adecuadamente:

1. El cable de suministro eléctrico está enchufado.
2. El cortacircuitos no se disparó o el fusible no está quemado.
3. El temporizador ha sido adelantado al inicio de un ciclo.
4. Las llaves de agua están abiertas.
5. Las mangueras de entrada y de desagüe no están dobladas.
6. La tapa de la lavadora está cerrada.
7. La válvula de entrada se puede congelar si no está protegida de la intemperie.
8. Nivel de espuma. La espuma excesiva disminuirá la velocidad de rotación y ocasionará un aclarado insatisfactorio. Haga funcionar la lavadora durante un ciclo completo sin detergente. Use menos detergente o un detergente con espuma controlada en cargas futuras.

Si necesita ayuda:

Póngase en contacto con su distribuidor autorizado de lavadoras comerciales de Maytag®. Para ubicar a su distribuidor autorizado de lavadoras comerciales de Maytag®, o para solicitar información por internet, visite www.MaytagCommercialLaundry.com.

Cuando llame, usted necesitará tener a mano el número del modelo y de serie de la lavadora. Ambos números se encuentran en la placa de clasificación de modelo/serie ubicada bajo la tapa.

Consejos para el funcionamiento

⚠ ADVERTENCIA



Peligro de Incendio

Nunca coloque en la lavadora artículos que estén humedecidos con gasolina o cualquier otro líquido inflamable.

Ninguna lavadora puede eliminar completamente el aceite.

No seque ningún artículo que haya tenido alguna vez cualquier tipo de aceite (incluyendo aceites de cocina).

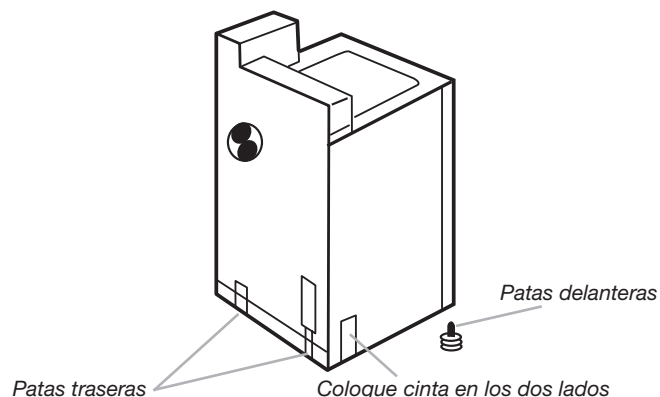
No seguir estas instrucciones puede ocasionar la muerte, explosión o incendio.

Tallas a carga plena típicas

| Tipo de carga | Sugerencia del cargamento | Tipo de carga | Sugerencia del cargamento |
|----------------------|--|------------------------|--|
| Carga mixta | 3 sábanas dobles 4 fundas 6 shorts 8 camisetas 2 camisas 2 blusas 8 pañuelos | Ropa pesada de trabajo | 3 pantalones 3 camisas 1 mameluco 4 pantalones de mezclilla 1 overol |
| Planchado permanente | 2 sábana de tamaño doble o 1 de tamaño king 1 mantel 1 vestido 1 blusa 2 pantalones 3 camisas 2 fundas para almohada | Tejidos de punto | 3 blusas 4 pantalones 6 camisas 4 tops 4 vestidos |

Cómo cambiar la lavadora a una nueva ubicación

- Quite las patas frontales de la base de la lavadora.
- Coloque ambas patas niveladoras traseras en la posición superior y sujételas con cinta de forma segura.
- Aplique cinta a los lados y la parte inferior de la carcasa, cerca de la parte posterior.
- Abra la tapa de la lavadora, ponga a presión una manta entre el anillo del tambor y la parte superior de la carcasa, para restringir el movimiento del tambor.



PROGRAMACIÓN DE LOS CONTROLES ELECTRÓNICOS

FUNCIONAMIENTO BÁSICO DE LA LAVADORA COMERCIAL

- Para obtener información adicional, vea www.MaytagCommercial-Laundry.com.
- Esta hoja técnica no es válida para los modelos anteriores a la serie MAT14.



⚠ ADVERTENCIA

Peligro de Choque Eléctrico

Desconecte el suministro de energía antes de darle mantenimiento.

Vuelva a colocar todos los componentes y paneles antes de hacerlo funcionar.

No seguir estas instrucciones puede ocasionar la muerte o choque eléctrico.

IMPORTANT

Descarga electroestática (ESD por sus siglas en inglés) Componentes electrónicos sensibles

Los problemas de descarga electroestática se encuentran presentes en cualquier lugar. Las descargas electroestáticas pueden dañar o debilitar el ensamblaje del control electrónico. El nuevo ensamblaje del control puede parecer que funciona bien después de que se haya terminado la reparación, pero podrían ocurrir fallas en una fecha posterior debido a la tensión provocada por la descarga electroestática.

- Utilice una correa antiestática para muñeca. Conecte la correa para muñeca al punto verde de conexión a tierra, o a metal que no esté pintado en el aparato
– O BIEN –

Toque repetidamente con su dedo un punto verde de conexión a tierra, o un metal que no esté pintado en el aparato.

- Antes de sacar la pieza de su paquete, toque con la bolsa antiestática un punto verde de conexión a tierra o un metal que no esté pintado en el aparato.
- Evite tocar las piezas electrónicas o los contactos de las terminales; manipule el ensamblaje del control electrónico solamente por los bordes.
- Cuando vuelva a empacar el ensamblaje del control electrónico que haya fallado en una bolsa antiestática, observe las instrucciones arriba mencionadas.

INFORMACIÓN GENERAL PARA EL USUARIO

Pantalla en blanco

Esta condición indica que el aparato es inoperante. Ingrese en el modo de programación para ver el código del diagnóstico.

Aparece “0 Minutos” (0 minutos) en la pantalla

Esta condición indica que el aparato no puede usarse. Las monedas que se hayan puesto o los ingresos de tarjeta de pago automático permanecerán en el depósito, pero no se pueden utilizar hasta que se abra y se cierre la puerta, lo cual reanuda el funcionamiento normal. Si el interruptor de una puerta falla, éste se debe reemplazar antes de que se pueda reanudar el funcionamiento normal.

Inicio en frío (primer uso)

La lavadora está programada de fábrica como se describe a continuación:

- Período de lavado de 11 minutos
- 1 enjuague y 2 minutos de agitación en el enjuague
- Precio de lavado de \$1,75 (modelos PD).
- Precio de lavado de \$0,00 (modelos PR).

Inicio con calor (después de un corte de corriente)

Después de un retraso de hasta 8 segundos, la lavadora volverá al estado existente en el momento del corte de corriente.

Ciclos gratuitos

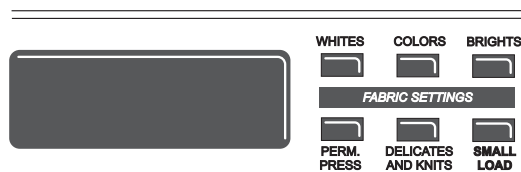
Esta opción se fija programando el precio del ciclo en cero. Cuando esto ocurre, aparecerá “SELECT CYCLE” (Seleccionar ciclo) en lugar del precio del ciclo.

Listo para tarjeta de pago automático

Esta lavadora está ya lista para tarjetas de pago automático. Aceptará una variedad de sistemas de tarjeta de pago automático, pero NO se entrega con un lector de tarjeta de pago automático. Consulte al fabricante de lectores de tarjeta de pago automático para obtener información sobre la programación adecuada de la lavadora. Para los modelos que han sido convertidos para el sistema de tarjeta de pago automático de generación 1, cada señal de la tarjeta es equivalente a una moneda (moneda 1).

Pantalla

Después de que se haya instalado y enchufado la lavadora, la pantalla mostrará “0 MINUTES” (0 minutos). Una vez que la lavadora se ha enchufado y la puerta de la misma se ha abierto y cerrado, la pantalla mostrará el precio. En las lavadoras que se hayan programado para dar ciclos gratuitos, destellará “SELECT CYCLE” (Seleccionar ciclo) en la pantalla.



PROCEDIMIENTOS DE PROGRAMACIÓN DEL CONTROL

IMPORTANTE: Lea todas las instrucciones antes de usarla.

Los botones inferiores para la selección de telas y la pantalla digital se usan para la programación de los controles. En la pantalla se pueden mostrar 4 números y/o letras y un punto decimal. Estos se usan para indicar los códigos de la programación y los valores de los códigos relacionados, los cuales se usan para programar la lavadora.

Cómo utilizar los botones para programar los controles

1. El botón INFERIOR IZQUIERDO se utiliza para ajustar los valores asociados con los códigos de programación. Al presionar el botón la cantidad se incrementará. Se pueden hacer ajustes rápidamente si se mantiene presionado el botón.
2. El botón MEDIO INFERIOR le permitirá ver los códigos de programación. El presionar el botón le muestra el siguiente código de programación disponible. El mantener presionado el botón le muestra automáticamente todos los códigos de programación a una velocidad de uno (1) por segundo.
3. El botón INFERIOR DERECHO se usa para seleccionar o quitar opciones.

Comience la programación de funcionamiento

- Modelos PD: Inserte la llave de acceso para la puerta, gírela y levante para quitar la puerta de acceso.
- Modelos PR: Una vez que se haya instalado el lector de tarjeta de pago automático (según las instrucciones del fabricante de lectores), se puede ingresar al modo de programación insertando la tarjeta de programación (provista por el fabricante de lectores) en la ranura para tarjeta. Si no se tiene una tarjeta de programación manual, se puede ingresar al modo de programación manual quitando el conector AA1 en el tablero de circuito.

IMPORTANTE: La consola no se debe de abrir a menos que se haya quitado el suministro de energía a la lavadora. Para tener acceso al conector AA1:

- Desenchufe la lavadora o desconecte el suministro de energía.
- Abra la consola, desconecte el enchufe en AA1 y luego cierre la consola.
- Enchufe la lavadora o reconecte el suministro de energía.

La lavadora se encuentra ahora en el modo de programación.

NOTA: El control no necesita ser programado para que funcione la lavadora. Estos procedimientos deberán seguirse solamente para personalizar el control como se desee.

CÓDIGOS DE PROGRAMACIÓN

- El botón INFERIOR MEDIO mostrará código por código.
- El botón INFERIOR IZQUIERDO cambiará el valor del código.
- El botón INFERIOR DERECHO seleccionará o quitará opciones.

PARA LOS MODELOS PR: Los códigos de programación son los mismos que para los modelos PD salvo cuando se menciona lo contrario.

El código de programación se indica con uno o los dos caracteres al lado izquierdo. El valor del código de programación se indica con los dos o tres caracteres al lado derecho.

| CÓDIGO | EXPLICACIÓN |
|-------------|---|
| <u>5.07</u> | PRECIO DEL CICLO NORMAL |
| <u>5.07</u> | Representa el número de monedas (moneda 1); se puede ajustar de 0 a 39. (Ver Valor de moneda 1 – VALUE OF COIN 1). Avance de 0 a 39 presionando el botón INFERIOR IZQUIERDO. Prefijado de fábrica para 7 monedas = \$1,75. MODELOS PR ÚNICAMENTE: Prefijado de fábrica para 0 monedas. → Presione el botón INFERIOR MEDIO una vez para avanzar al siguiente código. |

| CÓDIGO | EXPLICACIÓN |
|-------------|---|
| <u>7.11</u> | DURACIÓN DEL LAVADO |
| <u>7.11</u> | Este es el número de minutos para el lavado (WASH). Elija de 8 a 20 minutos presionando el botón INFERIOR IZQUIERDO. → Presione el botón INFERIOR MEDIO una vez para avanzar al siguiente código. |
| <u>8.21</u> | CICLOS DE ENJUAGUE |
| <u>8.21</u> | Esta es la duración y el número total de enjuagues. Cada agitación de enjuague lleva de 1 a 4 minutos, con una elección para 1 ó 2 enjuagues. El dígito del medio es la duración de la agitación del enjuague y el dígito en el lado derecho es el número de enjuagues. El número se cambia en la siguiente secuencia (11, 21, 31, 41, 12, 22, 32, 42), presionando el botón INFERIOR IZQUIERDO. Presione el botón INFERIOR MEDIO una vez para avanzar al siguiente código. El ciclo de Ropa delicada y tejidos (DELICATES & KNITS) tiene una duración de agitación de enjuague fija de un minuto. → Presione el botón INFERIOR MEDIO una vez para avanzar al siguiente código. |
| <u>9.00</u> | OPCIÓN DE CONTADOR DE CICLOS Esta opción se SELECCIONA “ON” (Encendido) o NO SE SELECCIONA “OFF” (Apagado). |
| <u>9.00</u> | No seleccionado “OFF” (Apagado). |
| <u>9.00</u> | Seleccionado “ON” (Encendido) y no se puede anular. Presione el botón INFERIOR DERECHO 3 veces consecutivas para seleccionar “ON” (Encendido). Una vez que se seleccione “ON” (Encendido), no se puede cancelar la opción. → Presione el botón INFERIOR MEDIO una vez para avanzar al siguiente código. |
| <u>1.00</u> | OPCIÓN DE CONTADOR DE DINERO Esta opción se SELECCIONA “ON” (Encendido) o NO SE SELECCIONA “OFF” (Apagado). |
| <u>1.00</u> | No seleccionado “OFF” (Apagado). |
| <u>1.00</u> | Seleccionado “ON” (Encendido). Presione el botón INFERIOR DERECHO 3 veces consecutivas para seleccionar Encendido (“ON”) y 3 veces consecutivas para quitar la opción (No seleccionada “OFF” – Apagado). El contador pone la cuenta en cero cuando se cambia de “OFF” (Apagado) a “ON” (Encendido). |
| <u>1.00</u> | Seleccionado “ON” (Encendido) y no se puede anular. Para seleccionar Encendido (“ON”) y que no se pueda cancelar, seleccione primero “ON”; luego en menos de 2 segundos, presione dos veces el botón INFERIOR DERECHO, el botón INFERIOR IZQUIERDO una vez y salga del modo de programación. → Presione el botón INFERIOR MEDIO una vez para avanzar al siguiente código. |

| CÓDIGO | EXPLICACIÓN |
|--|--|
| 2.00 | OPCIÓN DE PRECIOS ESPECIALES Esta opción se SELECCIONA "ON" (Encendido) o NO SE SELECCIONA "OFF" (Apagado). |
| 2.00 | No seleccionado "OFF" (Apagado). |
| 2.5P | Seleccionado "ON" (Encendido). Presione el botón INFERIOR DERECHO una vez para hacer esta selección. Si se selecciona la OPCIÓN DE PRECIOS ESPECIALES, tendrá acceso a los códigos "3." a "9." → Presione el botón INFERIOR MEDIO una vez para avanzar al siguiente código. |
| OPCIONES DISPONIBLES SI SE SELECCIONA PRECIOS ESPECIALES: | |
| 3.07 | PRECIO PARA CICLOS ESPECIALES |
| 3.07 | Representa el número de monedas de 25 centavos (moneda 1): puede ajustarse de 0 a 39. (Vea VALOR DE LA MONEDA 1.) Avance de 0 a 39 presionando el botón INFERIOR IZQUIERDO. Prefijado de fábrica para 7 monedas = \$1,75. MODELOS PR ÚNICAMENTE: Prefijado de fábrica para 0 monedas. → Presione el botón INFERIOR MEDIO una vez para avanzar al siguiente código. |
| 5.00 | RELOJ DE LA HORA DEL DÍA, MINUTOS |
| 5.00 | Este es el Reloj de la hora del día (TIME-OF-DAY-CLOCK); para ajustar los minutos, seleccione de 0 a 59 minutos presionando el botón INFERIOR IZQUIERDO. → Presione el botón INFERIOR MEDIO una vez para avanzar al siguiente código. |
| 6.00 | RELOJ DE LA HORA DEL DÍA, HORAS NOTA: Usa el reloj de formato militar o 24 horas. |
| 6.00 | Este es el Reloj de la hora del día (TIME-OF-DAY-CLOCK); para ajustar la hora, seleccione de 0 a 23 horas presionando el botón INFERIOR IZQUIERDO. → Presione el botón INFERIOR MEDIO una vez para avanzar al siguiente código. |
| 7.00 | HORA EN QUE EMPIEZA EL PRECIO ESPECIAL NOTA: Usa el reloj de formato militar o 24 horas. |
| 7.00 | Esta es la hora de inicio, de 0 a 23 horas. Seleccione la HORA DE INICIO presionando el botón INFERIOR IZQUIERDO. → Presione el botón INFERIOR MEDIO una vez para avanzar al siguiente código. |
| 8.00 | HORA EN QUE TERMINA EL PRECIO ESPECIAL NOTA: Usa el reloj de formato militar o 24 horas. |
| 8.00 | Ésta es la hora en que termina; de 0 a 23 horas. Seleccione la HORA DE PARADA presionando el botón INFERIOR IZQUIERDO. → Presione el botón INFERIOR MEDIO una vez para avanzar al siguiente código. |

| CÓDIGO | EXPLICACIÓN | | | | | | | | | | | | | | | | | | | | | | | | |
|----------|---|-----------------------|------------------|-----------------------|----|-----------------|----|----|---------------|----|----|----------------|----|----|-------------------|----|----|----------------|----|----|-----------------|----|----|----------------|----|
| 9.10 | DÍA DE PRECIO ESPECIAL | | | | | | | | | | | | | | | | | | | | | | | | |
| 9.10 | Esto representa el día de la semana y si se ha seleccionado un precio especial para ese día. Un número seguido por un "0" indica que no se ha hecho una selección para ese día en particular (9.10). Un número seguido por la letra "S" indica que se ha hecho una selección para ese día (9.1S). Los días de la semana (1 a 7) se pueden elegir presionando el botón INFERIOR IZQUIERDO. Presione una vez el botón INFERIOR IZQUIERDO para seleccionar el precio especial para cada día elegido. Cuando salga de la programación del código "9.", la pantalla debe mostrar el día de la semana actual: <table border="1" style="width: 100%; border-collapse: collapse;"> <thead> <tr> <th>PANTALLA</th> <th>DÍA DE LA SEMANA</th> <th>CÓDIGO (seleccionado)</th> </tr> </thead> <tbody> <tr> <td>10</td> <td>Día 1 = Domingo</td> <td>1S</td> </tr> <tr> <td>20</td> <td>Día 2 = Lunes</td> <td>2S</td> </tr> <tr> <td>30</td> <td>Día 3 = Martes</td> <td>3S</td> </tr> <tr> <td>40</td> <td>Día 4 = Miércoles</td> <td>4S</td> </tr> <tr> <td>50</td> <td>Día 5 = Jueves</td> <td>5S</td> </tr> <tr> <td>60</td> <td>Día 6 = Viernes</td> <td>6S</td> </tr> <tr> <td>70</td> <td>Día 7 = Sábado</td> <td>7S</td> </tr> </tbody> </table> → Presione el botón INFERIOR MEDIO una vez para avanzar al siguiente código. | PANTALLA | DÍA DE LA SEMANA | CÓDIGO (seleccionado) | 10 | Día 1 = Domingo | 1S | 20 | Día 2 = Lunes | 2S | 30 | Día 3 = Martes | 3S | 40 | Día 4 = Miércoles | 4S | 50 | Día 5 = Jueves | 5S | 60 | Día 6 = Viernes | 6S | 70 | Día 7 = Sábado | 7S |
| PANTALLA | DÍA DE LA SEMANA | CÓDIGO (seleccionado) | | | | | | | | | | | | | | | | | | | | | | | |
| 10 | Día 1 = Domingo | 1S | | | | | | | | | | | | | | | | | | | | | | | |
| 20 | Día 2 = Lunes | 2S | | | | | | | | | | | | | | | | | | | | | | | |
| 30 | Día 3 = Martes | 3S | | | | | | | | | | | | | | | | | | | | | | | |
| 40 | Día 4 = Miércoles | 4S | | | | | | | | | | | | | | | | | | | | | | | |
| 50 | Día 5 = Jueves | 5S | | | | | | | | | | | | | | | | | | | | | | | |
| 60 | Día 6 = Viernes | 6S | | | | | | | | | | | | | | | | | | | | | | | |
| 70 | Día 7 = Sábado | 7S | | | | | | | | | | | | | | | | | | | | | | | |
| 9.00 | OPCIÓN PARA VER EL DEPÓSITO Esta opción se SELECCIONA "ON" (Encendido) o NO SE SELECCIONA "OFF" (Apagado). | | | | | | | | | | | | | | | | | | | | | | | | |
| 9.00 | No seleccionado "OFF" (Apagado). | | | | | | | | | | | | | | | | | | | | | | | | |
| 9.5C | Seleccionado "ON" (Encendido). Presione el botón INFERIOR DERECHO una vez para hacer esta selección. Cuando se seleccione, se podrán ver los contadores de dinero y/o de ciclos (si se selecciona el contador), cuando se retire la caja de monedas. → Presione el botón INFERIOR MEDIO una vez para avanzar al siguiente código. | | | | | | | | | | | | | | | | | | | | | | | | |
| 6.05 | VALOR DE LA MONEDA 1 | | | | | | | | | | | | | | | | | | | | | | | | |
| 6.05 | Esto representa el valor de la moneda 1 en el número de monedas: 05 = \$0,25. Al presionar el botón INFERIOR IZQUIERDO, tendrá la opción de 1 a 199 monedas. → Presione el botón INFERIOR MEDIO una vez para avanzar al siguiente código. | | | | | | | | | | | | | | | | | | | | | | | | |
| 6.20 | VALOR DE LA MONEDA 2 | | | | | | | | | | | | | | | | | | | | | | | | |
| 6.20 | Esto representa el valor de la moneda 2 en el número de monedas: 20 = \$1,00. MODELOS PR: Prefijado de fábrica para \$0,25. Al presionar el botón de Planchado permanente (PERMANENT PRESS), tendrá la opción de 1 a 199 monedas. → Presione el botón INFERIOR MEDIO una vez para avanzar al siguiente código. | | | | | | | | | | | | | | | | | | | | | | | | |

| CÓDIGO | EXPLICACIÓN |
|-------------|---|
| <u>d.00</u> | OPCIÓN DE TRAGAMONEDAS Esta opción se SELECCIONA "ON" (Encendido) o NO SE SELECCIONA "OFF" (Apagado). |
| <u>d.00</u> | No seleccionado "OFF" (Apagado). |
| <u>d.05</u> | Seleccionado "ON" (Encendido). Presione el botón INFERIOR DERECHO 3 veces consecutivas para esta selección. Cuando se selecciona el modo de tragamonedas, fije la "b." en un valor igual al del tragamonedas en monedas. Programe el paso 6 (precio para ciclo normal) y el paso 3 (precio para ciclo especial) en el número de veces que funcione el tragamonedas. NOTA: Si el instalador programa "CS" en un modelo que trabaja con depósito monedas, no registrará monedas. → Presione el botón INFERIOR MEDIO una vez para avanzar al siguiente código. |
| <u>E.00</u> | OPCIÓN DE AGREGAR MONEDAS Esta opción se SELECCIONA "ON" (Encendido) o NO SE SELECCIONA "OFF" (Apagado). Esta opción hace que la pantalla del cliente muestre el número de monedas (moneda 1) que se deben poner, en lugar de la cantidad en dólares y centavos. |
| <u>E.00</u> | No seleccionado "OFF" (Apagado). |
| <u>E.RC</u> | Seleccionado "ON" (Encendido). Presione el botón INFERIOR DERECHO 3 veces consecutivas para esta selección. → Presione el botón INFERIOR MEDIO una vez para avanzar al siguiente código. |
| <u>F.00</u> | OPCIÓN DE PRECIO MEJORADO |
| <u>F.00</u> | No seleccionado "OFF" (Apagado). |
| <u>F.FP</u> | Precio según el ciclo activado. Esta opción permite la configuración de distintos precios para los ciclos con agua fría, tibia y caliente. Presione el botón INFERIOR DERECHO para hacer esta selección. |
| <u>F.5u</u> | Precio de ciclo súper activado. Esta opción permite que los clientes mejoren los ciclos depositando más dinero. Aparecerán en la pantalla los códigos para fijar "H." y "h." solamente cuando esté activada esta opción. Presione el botón INFERIOR DERECHO para hacer esta selección. → Presione el botón INFERIOR MEDIO una vez para avanzar al siguiente código. |
| <u>H.01</u> | PRECIO PARA MEJORAR AL CICLO SÚPER (SUPER CYCLE) (Se saltea a menos que se active el precio del Ciclo súper.) |
| <u>H.01</u> | Esto representa el número de monedas 1 que se necesitan para cambiar de un ciclo básico a uno súper. Avance de 0 a 39 presionando el botón INFERIOR IZQUIERDO. → Presione el botón INFERIOR MEDIO una vez para avanzar al siguiente código. |

| CÓDIGO | EXPLICACIÓN |
|-------------|--|
| <u>h.01</u> | TIPO DE CICLO SÚPER (SUPER CYCLE) (Se saltea a menos que se active el precio del Ciclo súper.) |
| <u>h.01</u> | Esto representa la opción para mejorar el Ciclo súper. Presione el botón INFERIOR IZQUIERDO para ir a las opciones de mejora 1 a 3, como sigue: 01 – lavado mejorado, 3 minutos adicionales de rotación de lavado más el tiempo de lavado programado. 02 – enjuague adicional para todos los ciclos. 03 – tanto 01 como 02. → Presione el botón INFERIOR MEDIO una vez para avanzar al siguiente código. |
| | OPCIÓN DE MONEDA/TARJETA DE PAGO AUTOMÁTICO |
| | Se han seleccionado tanto moneda como el pago con tarjeta de pago automático. |
| | Pago con monedas activado, pago con tarjeta de pago automático desactivado. Presione el botón INFERIOR DERECHO para hacer esta selección. |
| | Tarjeta de pago automático seleccionada, pago con moneda desactivado. Presione el botón INFERIOR DERECHO para hacer esta selección. |
| | El modo mejorado de tarjeta de pago automático se elige automáticamente cuando un lector de tarjeta de generación 2 se instala en la lavadora. La opción "Ed" no se puede seleccionar ni cancelar manualmente. → Presione el botón INFERIOR MEDIO una vez para avanzar al siguiente código. |
| | OPCIÓN DE SUSPENSIÓN DE PRECIOS Esta opción hace que la pantalla del cliente muestre "ADD" (Agregar) o "AVAILABLE" (Disponible) en lugar de la cantidad de dinero que hay que agregar. (Se usa principalmente en las instalaciones para tarjeta de pago automático.) |
| | No seleccionado "OFF" (Apagado). |
| | Seleccionado "ON" (Encendido). Presione el botón INFERIOR DERECHO una vez para hacer esta selección. → Presione el botón INFERIOR MEDIO una vez para avanzar al siguiente código. |
| | OPCIÓN PARA BORRAR LA CANTIDAD EN EL DEPÓSITO Cuando se selecciona, si hay dinero en el depósito durante 30 minutos sin haberse seleccionado un ciclo y sin añadir más dinero, se borrará la información relativa al ciclo o al dinero que se haya introducido en el depósito. |
| | Seleccionado "ON" (Encendido). |
| | No seleccionada "OFF" (Apagado). Presione el botón INFERIOR DERECHO una vez para cancelar esta selección. → Presione el botón INFERIOR MEDIO una vez para avanzar al siguiente código. |

| CÓDIGO | EXPLICACIÓN |
|--------|---|
| | COMPENSACIÓN DE INCREMENTO DE CENTAVOS |
| | Esto representa la compensación del precio en incremento en centavos que se usa en los modelos PR de la Generación 2 (Pago con tarjeta de pago automático mejorado). Elija de 0 a 4 centavos presionando el botón INFERIOR IZQUIERDO. → Presione el botón INFERIOR MEDIO una vez para avanzar al siguiente código. |

Si se selecciona el contador de ciclos (9.0C), lo siguiente es verdad:

100 representa el número de ciclos en CIENTOS. 1 02 = 200

200 representa el número de ciclos en UNIDADES. 2 25 = 25

TOTAL DE CICLOS = 225

Esto es "SÓLO PARA VERSE" y no se puede borrar.

Presione el botón INFERIOR MEDIO una vez para avanzar al siguiente código.

Si se selecciona el contador de dinero (1.0C ó 1.C0), lo siguiente es verdad:

300 Cantidad de monedas en CIENTOS. 3 01 = 100,00

400 Cantidad de monedas en UNIDADES. 4 68 = 68,00

500 Cantidad de monedas en CENTAVOS. 5 75 = 0,75

TOTAL = 168,75

FIN DE LOS PROCEDIMIENTOS DE LA PROGRAMACIÓN

CÓMO SALIR DEL MODO DE PROGRAMACIÓN

■ Modelos PD: Vuelva a instalar la puerta de acceso.

■ Modelos PR:

→ Desenchufe la lavadora o desconecte el suministro de energía.

→ Abra la consola, vuelva a conectar el enchufe en AA1 y luego cierre la consola.

→ Enchufe la lavadora o reconecte el suministro de energía.

GARANTÍA DE LAS SECADORAS Y LAVADORAS COMERCIALES MAYTAG® DE PAGO POR USO, DE UNA SOLA CARGA Y DE VARIAS CARGAS

GARANTÍA LIMITADA EN LAS PIEZAS

Durante los cinco primeros años a partir de la fecha de compra, siempre y cuando este aparato comercial haya sido instalado, mantenido y operado según las instrucciones adjuntas o provistas con el producto, la marca Maytag de Whirlpool Corporation (en lo sucesivo denominada "Maytag") se hará cargo de las piezas especificadas de fábrica o de las piezas originales del equipo del fabricante, para corregir defectos en los materiales o la mano de obra. Se requiere una prueba de la fecha de compra original para obtener servicio bajo esta garantía.

MAYTAG NO PAGARÁ POR LOS SIGUIENTES ARTÍCULOS

1. Todos los otros costos incluyendo mano de obra, transporte o derechos de aduana.
 2. Visitas de servicio técnico para corregir la instalación de su aparato comercial, para enseñarle a usar su aparato comercial, para cambiar o reparar fusibles o para corregir el cableado externo o la tubería.
 3. Reparaciones cuando su aparato comercial se use de un modo diferente al de un comercio normal.
 4. Daños causados por el manejo inapropiado del producto durante la entrega, robo, accidente, alteración, uso indebido, abuso, incendio, inundación, actos fortuitos, instalación incorrecta, instalación que no esté de acuerdo con los códigos eléctricos o de plomería locales, o el empleo de productos no aprobados por Maytag.
 5. Recogida y entrega. Este aparato comercial ha sido diseñado para ser reparado en su lugar.
 6. Reparaciones de piezas o sistemas como resultado de modificaciones no autorizadas que se hayan efectuado en el aparato comercial.
 7. La remoción y reinstalación de su aparato comercial, si estuviera instalado en un lugar inaccesible o si no estuviera instalado de conformidad con las instrucciones de instalación publicadas.
 8. Los daños ocasionados por productos químicos están excluidos de toda cobertura de la garantía.
 9. Cambios necesarios en el edificio, habitación o lugar para hacer que el aparato comercial funcione correctamente.
 10. Las reparaciones realizadas por un técnico de servicio autorizado que no sea contratado por Whirlpool.
-

EXCLUSIÓN DE GARANTÍAS IMPLÍCITAS; LIMITACIONES DE RECURSOS

EL ÚNICO Y EXCLUSIVO RECURSO DEL CLIENTE SEGÚN LOS TÉRMINOS DE ESTA GARANTÍA LIMITADA SERÁ EL DE REPARAR EL PRODUCTO SEGÚN SE ESTIPULA EN LA PRESENTE. LAS GARANTÍAS IMPLÍCITAS, INCLUYENDO LAS GARANTÍAS DE COMERCIABILIDAD O DE IDONEIDAD PARA UN PROPÓSITO PARTICULAR, SERÁN LIMITADAS A UN AÑO O AL PERÍODO MÁS CORTO PERMITIDO POR LEY. WHIRLPOOL NO SE RESPONSABILIZARÁ POR DAÑOS INCIDENTALES O CONSECUENTES. ALGUNOS ESTADOS Y PROVINCIAS NO PERMITEN LA EXCLUSIÓN O LIMITACIÓN POR DAÑOS INCIDENTALES O CONSECUENTES, O LIMITACIONES ACERCA DE CUÁNTO DEBE DURAR UNA GARANTÍA IMPLÍCITA DE COMERCIABILIDAD O IDONEIDAD, DE MODO QUE LAS LIMITACIONES O EXCLUSIONES ARRIBA MENCIONADAS PUEDEN NO APLICARSE EN SU CASO. ESTA GARANTÍA LE OTORGA DERECHOS LEGALES ESPECÍFICOS Y ES POSIBLE QUE USTED TENGA TAMBIÉN OTROS DERECHOS QUE PUEDEN VARIAR DE UN ESTADO A OTRO O DE UNA PROVINCIA A OTRA.

Si usted necesita servicio técnico, póngase en contacto con su distribuidor autorizado de aparatos de lavandería comercial de Maytag®. Para ubicar a su distribuidor autorizado de aparatos de lavandería comercial de Maytag®, o para solicitar información por internet, visite www.MaytagCommercialLaundry.com.

12/10

Para enviar correspondencia por escrito:
Maytag® Commercial Laundry Service Department
2000 M-63 North
Benton Harbor, Michigan 49022 USA

SICUREZZA DELLA LAVATRICE

La vostra sicurezza e la sicurezza degli altri sono molto importanti.

In questo manuale sono contenuti molti importanti messaggi di sicurezza e sull'elettrodomestico. Leggere e seguire sempre tutti i messaggi di sicurezza.



Questo è il simbolo di pericolo per la sicurezza.

Questo simbolo avverte della presenza di possibili pericoli che possono uccidere o ferire voi o altre persone. Tutti i messaggi di sicurezza seguiranno il simbolo di pericolo per la sicurezza nonché la parola "PERICOLO" o la parola "AVVERTENZA".

Queste parole significano:

⚠ PERICOLO

Esiste il pericolo di morte o grave infortunio se non si seguono immediatamente le istruzioni.

⚠ AVVERTENZA

Esiste il pericolo di morte o grave infortunio se non si seguono le istruzioni.

Tutti i messaggi di sicurezza indicano quale sia il possibile pericolo, come ridurre la possibilità di infortunio e cosa può capitare se non si seguono le istruzioni.

L'ELIMINAZIONE DELLA LAVATRICE



Questo elettrodomestico è stato contrassegnato in ottemperanza alla Direttiva Europea 2002/ 96/ EC sulle Attrezzature Elettriche ed Elettroniche da Smaltire (WEEE).

Assicurarsi che questo prodotto venga eliminato correttamente, in modo da evitare possibili conseguenze dannose per l'ambiente e la salute umana, che potrebbero altrimenti sorgere dalla gestione errata dello smaltimento dell'elettrodomestico stesso.

Il simbolo sul prodotto, o sui documenti che lo accompagnano, indica che questo elettrodomestico non deve essere trattato come un rifiuto domestico. Deve, al contrario, essere consegnato al punto di raccolta previsto per il riciclaggio di attrezzature elettriche ed elettroniche.

L'eliminazione deve essere eseguita in ottemperanza alle norme ambientali sullo smaltimento dei rifiuti.

Per ulteriori informazioni dettagliate sul trattamento, il recupero ed il riciclaggio di questo prodotto, si prega di contattare l'ufficio municipale più vicino, il servizio di smaltimento dei rifiuti domestici o il negozio dove è stato acquistato questo prodotto.

REQUISITI D'INSTALLAZIONE

Attrezzi e componenti

Raccogliere gli attrezzi e i componenti necessari prima di iniziare l'installazione.

Attrezzi necessari

- Livella
- Coltello multiuso
- Forbici
- Chiave inglese da 200 mm o 250 mm (8" o 10")
- Cacciavite a taglio
- Pinza
- Secchio

Componenti in dotazione

Rimuovere il sacchetto dei componenti dalla lavatrice. Controllare che vi siano inclusi tutti i pezzi necessari.

- 1 fascetta di serraggio
- 2 piedini anteriori di livellamento con dadi
- 2 tubi d'ingresso dell'acqua
- 1 tubo di scarico
- 4 rondelle piatte per tubi dell'acqua
- Adattatore per tubo

| Dati tecnici: | Carico massimo: |
|----------------------|----------------------|
| 220 – 240 VCA, 50 Hz | MAT14PD: 5,9 kg max. |
| 650 Watt | |

Requisiti di posizionamento

IMPORTANTE: non installare o posizionare la lavatrice in un luogo di esposizione diretta alle intemperie. Non collocare o azionare la lavatrice a temperature prossime a 0 gradi centigradi (32 °F). L'acqua potrebbe ristagnare nella lavatrice causando danni a basse temperature.

L'utente è responsabile di una corretta installazione.

È necessario disporre di quanto segue:

- Uno scaldabagno che eroghi acqua alla lavatrice a una temperatura di 60°C (140°F).
- Una presa di terra situata a non più di 1,2 metri (4 piedi) dal punto in cui il cavo di alimentazione si collega al retro della lavatrice. Consultare il capitolo "Requisiti elettrici".
- Rubinetti per l'acqua calda e fredda situati a non più di 1,2 m (4 piedi) dal retro della lavatrice, che forniscano acqua a una pressione di 69–690 kPa (10–100 psi). Utilizzare una valvola di riduzione della pressione nel tubo di alimentazione laddove la pressione di entrata nello stabile superi i 690 kPa (100 psi) al fine di impedire danni alla valvola miscelatrice della lavatrice.
- Un pavimento piatto con un'inclinazione massima di 25 mm (1") sotto l'intero elettrodomestico.
- Un pavimento robusto che sostenga il peso della lavatrice (peso dell'elettrodomestico più acqua e carico) di 143 kg (315 libbre).
- Per l'installazione di una lavatrice singola, è necessario un montante da almeno 300 mm (12"), che funga da un ammortizzatore ad aria e prevenga rumori e danni alle valvole.
- Sotto la paratia divisoria deve essere previsto uno scarico a pavimento. Le paratie divisorie prefabbricate dotate di prese elettriche, linee per l'acqua e strutture di scarico vanno utilizzate solo ove previsto dalle normative locali.

NOTA: per accedere all'area della pompa è necessario rimuovere le viti di sicurezza N. T20 TORX®† e procedere con l'asportazione del pannello anteriore.

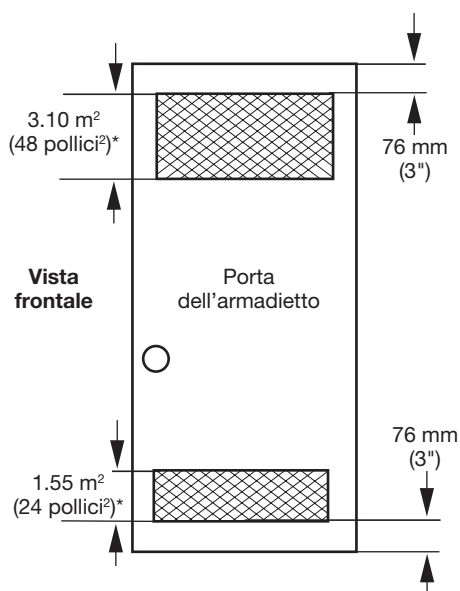
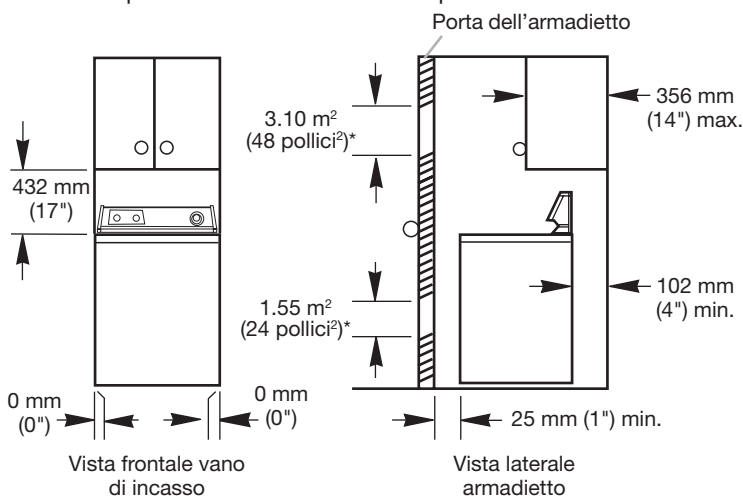
®† Torx è un marchio depositato di Saturn Fasteners, Inc.

Istruzioni per l'incasso in un vano o in un armadietto

La lavatrice può essere installata in un vano o un armadietto.

Lo spazio per l'installazione è indicato in centimetri ed è il minimo consentito. Si consiglia comunque di lasciare uno spazio maggiore per facilitare l'installazione, la manutenzione e la conformità alle norme e alle leggi vigenti.

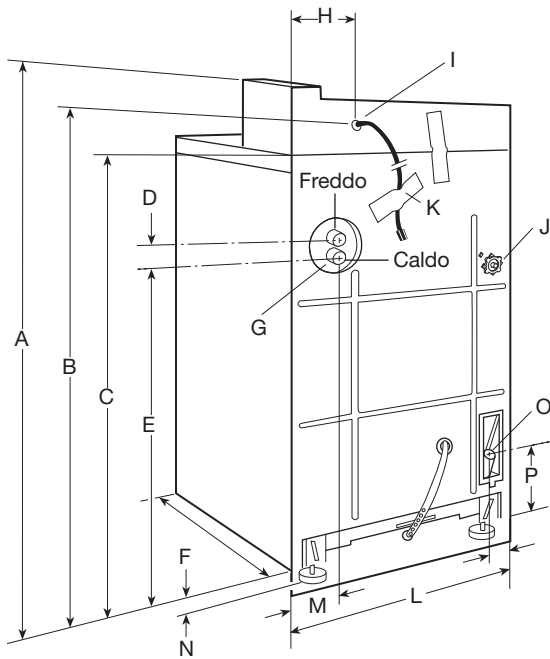
Qualora l'armadietto sia dotato di una porta, è necessario disporre di aperture minime di ventilazione che non vengano ostruite al di sopra e al di sotto dell'elettrodomestico. Sono accettabili persiane battenti con feritoie per l'aria.



*Apertura minima per la porta dell'armadietto. Sono accettabili porte a persiana o simili.

- Considerare un ulteriore spazio per facilitare l'installazione e la manutenzione.
- Considerare lo spazio per le modanature della parete, della porta e del pavimento.
- Si consiglia inoltre di considerare uno spazio di 25 mm (1") su tutti i lati della lavatrice per ridurre il trasferimento del rumore e di considerare lo spazio per un eventuale secondo elettrodomestico.
- Si consideri inoltre lo spazio necessario ad un eventuale altro elettrodomestico.

Dimensioni del prodotto



| | | | |
|----|----------------------------------|----|---|
| A. | 1,09 m (43") | I. | Cavo di alimentazione |
| B. | 970 mm (38 1/8") | J. | Raccordo tubo di scarico |
| C. | 890 mm (35") | K. | Etichetta |
| D. | 38 mm (1 1/2") | L. | 685 mm (27") |
| E. | 705 mm (27 3/4") | M. | 133 mm (5 1/4") |
| F. | 650 mm (25 1/2") | N. | 25 mm (1") |
| G. | Tubi di alimentazione dell'acqua | O. | Levetta livello acqua e colonna scarico |
| H. | 180 mm (7") | P. | 127 mm (5") |

Sistema di scarico

Colonna di scarico

La colonna di scarico richiede un tubo verticale con diametro minimo di 50 mm (2"). La capacità minima di deflusso deve essere non di inferiore a 64 litri al minuto (17 galloni/min).

L'estremità superiore del tubo verticale deve avere un'altezza di almeno 990 mm (39") e non più di 1,83 m (72") a partire dai piedi dell'elettrodomestico.

Requisiti elettrici

⚠ AVVERTENZA



Rischio di scossa elettrica

Connettere questo elettrodomestico ad una presa a terra.

Non usare una prolunga né la presa di un sistema elettrico portatile.

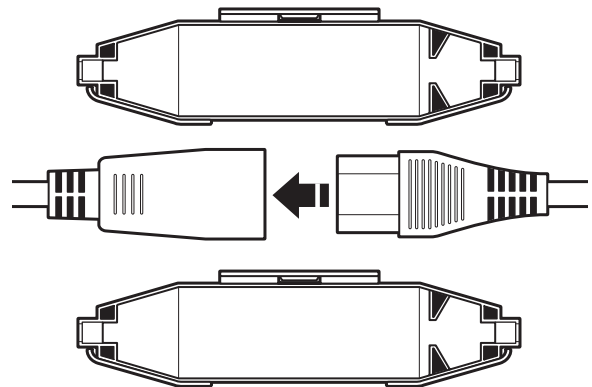
Il mancato rispetto di queste istruzioni potrebbe causare la morte, un incendio o una scossa elettrica.

- È necessario avvalersi di una presa di corrente a 220–240 V, 50 Hz, CA a 10 A con fusibile. Si consiglia l'uso di un fusibile ritardato o di un interruttore. È preferibile avvalersi di un circuito separato da usare esclusivamente per il presente elettrodomestico.
- Questa lavatrice è dotata di un cavo di alimentazione predisposto per la messa a terra. La spina deve essere accessibile per poterla scollegare dall'alimentazione.
- Se il cavo di alimentazione è danneggiato, deve essere sostituito dal produttore, da un suo agente di servizio, o da altre persone qualificate al fine di evitare pericoli.

Utilizzo del cavo universale con questa lavatrice:

Questa lavatrice è dotata di un cavo universale con spine intercambiabili.

1. Selezionare il pezzo di spina appropriato fra quelli forniti e montarlo sul connettore del cavo di alimentazione.
2. Far scattare insieme le due metà del blocco del cavo sopra al connettore per bloccarlo in posizione.



ISTRUZIONI PER LA MESSA A TERRA

La lavatrice deve essere dotata di una adeguata messa a terra. In caso di malfunzionamento o guasto, la messa a terra riduce il rischio di scossa consentendo un percorso di minore resistenza per la corrente elettrica. La lavatrice è dotata di un cavo e di una spina preposti per la messa a terra. La spina deve essere collegata a una presa adeguatamente installata e dotata di messa a terra in conformità a tutte le norme e le ordinanze locali.

AVVERTENZA: il collegamento errato della messa a terra può causare il rischio di scossa elettrica. Consultare un elettricista o un tecnico qualificato in caso di dubbi sulla messa a terra dell'elettrodomestico. Non modificare la spina in dotazione con la lavatrice; se la spina non entra nella presa, far installare una presa adeguata da un elettricista qualificato.

ISTRUZIONI D'INSTALLAZIONE

Rimozione della fascetta d'imballaggio

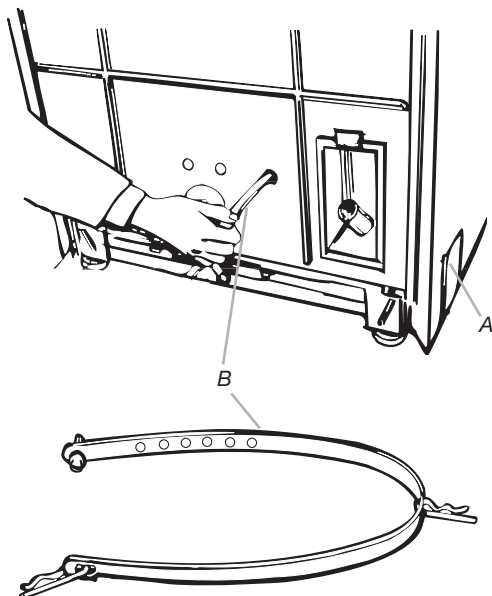
AVVERTENZA

Pericolo di peso eccessivo

Avvalersi di due o più persone per lo spostamento e per l'installazione della lavatrice.

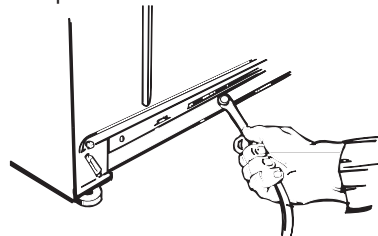
La non ottemperanza può causare lesioni alla schiena o ad altre parti del corpo.

1. Rimuovere il nastro adesivo che copre la fascetta d'imballaggio. Tirare verso di sé la fascetta d'imballaggio per estrarla completamente con 2 coppie dall'interno della lavatrice.



A. Nastro adesivo per l'imballaggio
B. Fascetta d'imballaggio

2. Tirare con vigore verso di sé per rimuovere l'estremità della fascetta d'imballaggio dal retro della lavatrice. Il perno della fascetta d'imballaggio deve essere completamente rimosso per far uscire i piedini auto-livellanti.



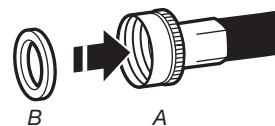
Conservare la fascetta d'imballaggio per usi futuri.

Collegamento dei tubi

Un adeguato collegamento del tubo di scarico ha la funzione di proteggere i pavimenti dai danni causati dalle perdite d'acqua. Leggere e seguire attentamente queste istruzioni.

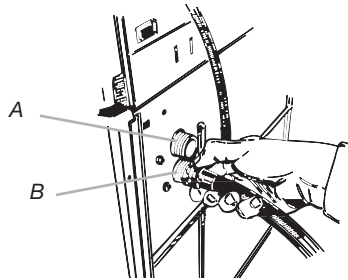
Collegare i tubi d'ingresso alla lavatrice

1. La lavatrice va collegata al rubinetto dell'acqua utilizzando i nuovi tubi di alimentazione forniti con l'elettrodomestico. Non riutilizzare vecchi tubi. Inserire le rondelle piatte nuove (in dotazione) in ciascuna estremità dei tubi d'ingresso. Inserire con vigore le rondelle nei raccordi.



A. Raccordo
B. Rondella

2. Collegare il tubo prima alla valvola d'ingresso inferiore.



A. Valvola d'ingresso acqua fredda
B. Valvola d'ingresso acqua calda

3. Collegare il secondo tubo alla valvola d'ingresso superiore. Avvitare i raccordi a mano; quindi, usare una pinza per avvitare di altri due terzi di giro.

NOTA: la filettatura delle valvole d'ingresso è in plastica. Non rimuoverla o incrociarla.

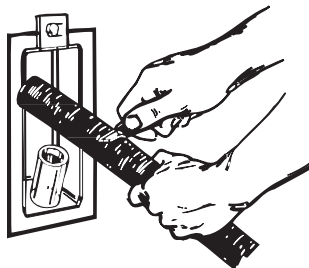
Collegamento del tubo di scarico

NOTA: posizionare la lavatrice su un pannello di cartone o di legno prima di spostarla lungo il pavimento.

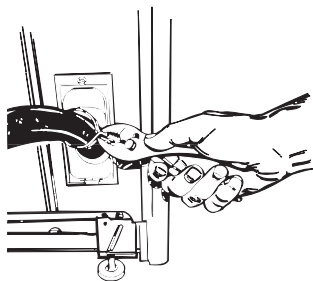
1. Spostare la lavatrice verso la posizione finale.
2. Inserire l'estremità a "gancio" del tubo di scarico nel lavatoio o nel tubo verticale.
3. Stimare la lunghezza del tubo di scarico necessaria quando la lavatrice è in posizione finale. Il tubo deve essere tagliato della lunghezza esatta in modo che l'estremità a "gancio" aderisca bene all'estremità del tubo verticale.

Se il tubo di scarico è troppo lungo, tagliare l'estremità dritta del tubo. (Non tagliare l'estremità con il gancio).

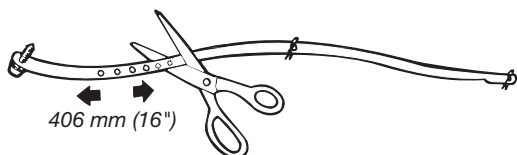
NOTA: non infilare la parte che avanza del tubo di scarico lungo il tubo verticale. Questo potrebbe causare un travaso.



4. Collocare il morsetto del tubo sul raccordo dello scarico della lavatrice. Spingere il tubo di scarico nel raccordo. Usare una pinza per aprire il morsetto e inserirlo sul tubo di scarico. Assicurarsi che aderisca completamente.

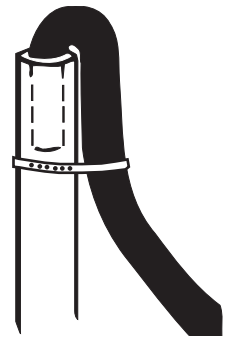


5. Misurare e contrassegnare un punto a circa 406 mm (16") dall'estremità con la spina della fascetta d'imballaggio. Tagliare la fascetta d'imballaggio in questo punto.



6. Controllare che il tubo non sia attorcigliato o piegato e che sia stato fissato in posizione.

Inserire l'estremità del tubo di scarico a "gancio" nel tubo verticale. Avvolgere con vigore la fascetta d'imballaggio attorno al bordo del tubo verticale. Inserire il perno nel foro più vicino della fascetta d'imballaggio.



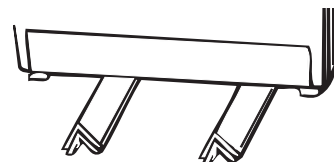
Collegamento dei tubi d'ingresso ai rubinetti dell'acqua

1. Prima di collegare i tubi d'ingresso ai rubinetti, far scorrere l'acqua di entrambi i rubinetti in un secchio per evitare che le particelle contenute nei tubi dell'acqua possano ostruire i tubi della lavatrice. Contrassegnare il rubinetto dell'acqua calda.
2. Installare un adattatore nero per rubinetto su ogni tubo di alimentazione.
3. Collegare il tubo inferiore (il tubo d'ingresso indicato con la lettera "H") al rubinetto dell'acqua calda.
4. Collegare il tubo superiore (il tubo d'ingresso indicato con la lettera "C") al rubinetto dell'acqua fredda. Stringere a mano con vigore il raccordo al rubinetto.
5. Usare una pinza per avvitare di altri due terzi di giro ciascun raccordo.

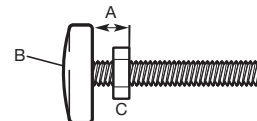
Livellamento della lavatrice

Installazione dei piedini anteriori di livellamento

1. Posizionare due montanti angolari uno sopra l'altro. Inclinare la lavatrice all'indietro e inserire i montanti per 76 mm (3") da uno dei lati della lavatrice, come mostrato in figura. Ripetere l'operazione con gli altri montanti angolari dall'altro lato della lavatrice.



2. Usare i piedini di livellamento e i dadi contenuti nel sacchetto dei componenti. Avvitare il dado fino a 13 mm (1/2") dalla base.



A. 13 mm (1/2")
B. Base
C. Dado

3. Inserire i piedini nei fori corretti di ciascun angolo anteriore della lavatrice fino a quando i dadi non toccano l'elettrodomestico. Non stringere i dadi finché la lavatrice non è stata livellata.
4. Inclinare la lavatrice all'indietro e rimuovere i montanti angolari. Inclinare delicatamente la lavatrice verso il pavimento.
5. Collocare la lavatrice nella posizione finale. Rimuovere il pannello di cartone o di legno dal fondo della lavatrice.



Livellamento della lavatrice

1. Inclinare la lavatrice verso di sé sollevando i piedini posteriori di 25 mm (1") dal pavimento. Per regolare i piedini posteriori auto-livellanti, abbassare delicatamente la lavatrice.
2. Controllare il livellamento della lavatrice posizionando una livella sul ripiano della lavatrice, prima da destra a sinistra, quindi dalla parte anteriore a quella inferiore.
3. Se la lavatrice non è a livello, regolare i piedini anteriori verso l'alto o verso il basso. Eseguire il controllo finale con la livella.
4. Quando la lavatrice è livellata correttamente, usare una chiave inglese per avvitare i dadi dei piedini anteriori alla base della lavatrice. Se i dadi non sono adeguatamente avvitati alla base, la lavatrice può vibrare.



Installazione completa

1. Verificare i requisiti elettrici. Assicurarsi di disporre di un impianto elettrico adeguato e di un'adeguata messa a terra.
 2. Accertarsi di aver installato tutti i componenti. Se avanza un componente, ripetere il procedimento per capire quale passo sia stato saltato.
 3. Aprire i rubinetti e controllare che non vi siano perdite. Qualora ve ne siano, avvitare ulteriormente i raccordi. Non stringere con troppo vigore poiché si potrebbero causare danni ai rubinetti.
 4. Accertarsi di avere tutti gli attrezzi a disposizione.
 5. Verificare che la fascetta d'imbballaggio sia stato rimosso dal retro della lavatrice e che sia usato per fissare il tubo di scarico. Se la fascetta d'imbballaggio non è stata rimossa completamente, la lavatrice potrebbe vibrare e causare rumore.
 6. Inserire la spina a una presa con messa a terra.
- NOTA:** su alcuni modelli, durante i collaudi in fabbrica, il timer viene posizionato su un punto avanzato nel ciclo, provocando l'attivazione del tasto di avvio. Aspettare che il timer raggiunga la fine del ciclo. Una volta completato il ciclo, il timer si azzererà e il tasto di avvio tornerà al punto di partenza. Se non si consente al timer di raggiungere la fine del primo ciclo e quindi di azzerarsi, il lavaggio non sarà completato.

Checklist per il funzionamento della lavatrice

Se la lavatrice non funziona correttamente, verificare che:

1. Il cavo di alimentazione sia collegato alla presa di corrente.
2. L'interruttore di circuito sia stato attivato o che il fusibile non sia saltato.
3. Il timer si trovi all'inizio di un ciclo.
4. I rubinetti siano aperti.
5. I tubi d'ingresso e di scarico non siano piegati.
6. Lo sportello della lavatrice sia chiuso.
7. La valvola d'ingresso non si sia congelata quando esposta alle intemperie.
8. Livello di schiuma. La schiuma eccessiva rallenta la rotazione del cestello e causa uno scarso risciacquo. Completare un ciclo senza detersivo. Usare meno detersivo oppure un detersivo che crei meno schiuma per i lavaggi futuri.

Per l'assistenza:

Contattare il rivenditore autorizzato di Lavatrici Commerciali Maytag®. Per individuare il rivenditore autorizzato di Lavatrici Commerciali Maytag®, oppure per le indagini di Web, visitare il sito www.MaytagCommercialLaundry.com.

Al momento della chiamata, tenere a portata di mano il numero del modello e il numero di serie della lavatrice. È possibile trovare entrambi i numeri sulla targhetta del modello/numero di serie che si trova sotto il coperchio.

Suggerimenti operativi

⚠ AVVERTENZA



Rischio di incendio

Non mettere mai nella lavatrice dei capi intrisi di benzina o altri gas infiammabili.

Nessuna lavatrice può rimuovere completamente l'olio.

Non asciugare nessun capo che è stato sporcato con qualsiasi tipo di olio (incluso olio da cucina).

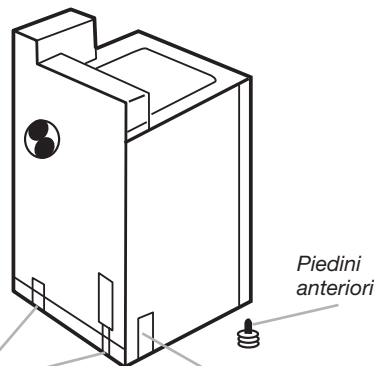
Il mancato rispetto di queste istruzioni potrebbe causare la morte, un'esplosione o un incendio.

Dimensioni tipiche del pieno carico

| Tipo del caricamento | Suggerimento di caricamento | Tipo del caricamento | Suggerimento di caricamento |
|----------------------|---|-----------------------------|--|
| Carico misto | 3 lenzuola a due piazze 4 federe 6 paia di pantaloncini 8 T-shirt 2 camicie 2 casacche 8 fazzoletti | Indumenti da lavoro pesanti | 3 paia di pantaloni 3 camicie 1 sopravveste 4 paia di jeans 1 tuta |
| Pressione permanente | 2 lenzuola a due piazze o 1 lenzuolo a due piazze e mezza 1 tovaglia per la tavola 1 vestito 1 casacca 2 pantaloni ampi 3 camicie 2 federe | Maglieria | 3 casacche 4 pantaloni ampi 6 camicie 4 top 4 vestiti |

Per spostare la lavatrice in una nuova posizione

- Estrarre i piedini anteriori dalla base della lavatrice.
- Alzare al massimo entrambi i piedini posteriori di livellamento e bloccarli con del nastro adesivo.
- Applicare del nastro adesivo al lato e al fondo dell'elettrodomestico vicino al lato posteriore.
- Aprire lo sportello della lavatrice, inserire una coperta tra i bordi del cestello e il lato superiore dell'elettrodomestico per attenuarne i movimenti.



Sigillare 2 lati con nastro adesivo. **43**

CONFIGURAZIONE DEI CONTROLLI ELETTRONICI

FUNZIONAMENTO DI BASE DELLA LAVATRICE COMMERCIALE

- Per ulteriori informazioni, visitare il sito Web www.MaytagCommercialLaundry.com.
- Questa scheda tecnica non è applicabile ai modelli antecedenti alla serie MAT14.

⚠ AVVERTENZA



Pericolo di scossa elettrica

**Scollegare l'alimentazione prima della manutenzione.
Sostituire tutte le parti e i pannelli prima di eseguire le operazioni.**

La mancata osservanza di queste precauzioni può provocare la morte o scosse elettriche.

IMPORTANTE

Scarica elettrostatica (ESD) Componenti elettronici sensibili

Problemi scariche elettrostatiche possono presentarsi ovunque. La scarica elettrostatica potrebbe danneggiare o indebolire il gruppo dei controlli elettronici. Il nuovo gruppo dei controlli elettronici potrebbe funzionare apparentemente bene dopo la riparazione, tuttavia presentare successivamente un guasto dovuto a scarica elettrostatica.

- Usare un bracciale antistatico. Collegare il bracciale al punto di collegamento a terra di colore verde, oppure a un punto di metallo non verniciato dell'elettrodomestico -OPPURE-
Sfiorare ripetutamente con un dito il punto verde del collegamento di terra oppure un punto di metallo non verniciato dell'elettrodomestico.
- Prima di rimuovere la parte dall'imballo, toccare con la busta antistatica un punto del collegamento a terra oppure un punto di metallo non verniciato dell'elettrodomestico.
- Evitare di toccare le parti elettroniche o i contatti del terminale, maneggiare il gruppo dei controlli elettronici esclusivamente dai bordi.
- Nel riporre il gruppo dei controlli elettronici guasto nella busta antistatica, osservare le istruzioni di cui sopra.

INFORMAZIONI GENERALI PER L'UTENTE

Display vuoto

Questa condizione indica che l'elettrodomestico non è in funzione. Accedere alla modalità di configurazione per visualizzare il codice diagnostico.

Sul display viene visualizzato "0 Minutes" (0 minuti)

Questa condizione indica che l'elettrodomestico non può essere messo in funzione. Le monete o la carta inserite in questa condizione rimarranno nel deposito ma non possono essere utilizzate fino a quando non viene ripristinato il normale funzionamento con l'apertura e chiusura dello sportello. Se uno degli interruttori sullo sportello presenta problemi, sostituirlo prima di ripristinare il normale funzionamento.

Avvio a freddo (dopo il primo uso)

La lavatrice viene programmata in fabbrica nel modo seguente:

- Periodo di lavaggio 11 minuti
- 1 risciacquo e 2 minuti di agitazione per il risciacquo
- Prezzo del lavaggio \$1,75 (modelli PD)
- Prezzo del lavaggio \$0,00 (modelli PR)

Avvio a caldo (dopo un'interruzione dell'alimentazione)

Dopo 8 secondi, la lavatrice viene ripristinata allo stato in cui si trovava al momento dell'interruzione dell'alimentazione.

Cicli gratuiti

Vengono configurati impostando il prezzo del ciclo su 0. In tal caso, invece del prezzo di un ciclo, viene visualizzato "SELECT CYCLE" (Selezionare ciclo).

Predisposizione per carta di debito

Questa lavatrice è predisposta per carta di debito via cavo. Accetta svariati sistemi di carta di debito, tuttavia NON è dotata di lettore per carte di debito. Per la corretta configurazione della lavatrice, fare riferimento alle istruzioni del produttore del lettore della carta di debito. In modelli convertiti al sistema con carte di debito Generazione 1, gli scatti della carta di debito costituiscono l'equivalente di una moneta (moneta 1).

Display

Dopo l'installazione e il collegamento della lavatrice all'alimentazione, sul display viene visualizzato "0 MINUTES" (0 minuti). Quando la lavatrice è stata collegata e lo sportello è stato aperto e chiuso, sul display viene visualizzato il prezzo. Se le lavatrici sono impostate per i cicli gratuiti, sul display viene visualizzato "SELECT CYCLE" (Selezionare ciclo).



PROCEDURE DI CONFIGURAZIONE DEI COMANDI

IMPORTANTE: leggere tutte le istruzioni prima di eseguire le operazioni.

I tasti inferiori per l'impostazione del tessuto e il display digitale vengono usati per configurare i comandi. Il display può contenere 4 numeri e/o lettere e una virgola decimale. Sono utilizzati per indicare i codici di configurazione e i valori relativi disponibili per la programmazione della lavatrice.

Uso dei tasti per la programmazione dei comandi

1. Il tasto IN BASSO A SINISTRA è utilizzato per regolare i valori associati ai codici di configurazione. Premendo questo tasto il valore sarà incrementato. Tenendo premuto il tasto è possibile procedere con la regolazione rapida.
2. Con il tasto IN BASSO AL CENTRO è possibile avanzare tra i codici di configurazione. Premendo il tasto si avanza al successivo codice di configurazione disponibile. Tenendo premuto il tasto si avanza automaticamente tra i codici di configurazione alla velocità di uno (1) al secondo.
3. Il tasto IN BASSO A DESTRA viene utilizzato per selezionare o deselegionare le opzioni.

Avvio della configurazione operativa

- Modelli PD: inserire la chiave nello sportello di accesso, ruotarla e sollevare per rimuovere lo sportello di accesso.
- Modelli PR: dopo l'installazione del lettore di carte di debito (in ottemperanza alle istruzioni del produttore del lettore di carte), è possibile accedere alla modalità di configurazione inserendo una carta apposita (fornita dal produttore del lettore) nello slot per le carte. Se la carta per la configurazione manuale non è disponibile, è possibile procedere alla modalità di configurazione manuale rimuovendo il connettore AA1 sulla scheda di circuito.

IMPORTANTE: non aprire la console prima di aver scollegato l'alimentazione dalla lavatrice. Per accedere al connettore AA1:

- Scollegare la lavatrice o disconnettere l'alimentazione.
 - Aprire la console, scollegare la spina da AA1, chiudere la console.
 - Inserire la spina della lavatrice o riconnettere l'alimentazione.
- La lavatrice è ora in modalità di configurazione.

NOTA: non è necessario configurare il controllo per azionare la lavatrice. Queste procedure vanno seguite solo per la personalizzazione del comando.

CODICI DI CONFIGURAZIONE

- Il tasto IN BASSO AL CENTRO ha la funzione di avanzare di codice in codice.
- Il tasto IN BASSO A SINISTRA modifica il valore del codice.
- Il tasto IN BASSO A DESTRA viene usato per selezionare o deselegionare le opzioni.

NEI MODELLI PR: i codici di configurazione corrispondono a quelli dei modelli PD, se non indicato diversamente.

Il codice di configurazione è indicato dal carattere o dai due caratteri sulla sinistra. Il codice di configurazione è indicato dai due o tre caratteri sulla destra.

| CODICE | SPIEGAZIONE |
|-------------|--|
| <u>5.07</u> | PREZZO CICLO REGOLARE |
| <u>5.07</u> | Rappresenta il numero di monete (moneta 1); può essere regolato nell'intervallo 0-39 (vedere VALORE DELLA MONETA 1). Avanzare nell'intervallo 0-39 premendo il tasto IN BASSO A SINISTRA. Preimpostazione di fabbrica: 7 monete = \$1,75. SOLO MODELLI PR: preimpostazione di fabbrica = 0 monete. → Premere il tasto IN BASSO AL CENTRO per avanzare al codice successivo. |
| <u>7.11</u> | LUNGHEZZA LAVAGGIO |
| <u>7.11</u> | Rappresenta il numero di minuti del LAVAGGIO. Scegliere tra 8 e 20 minuti premendo il tasto IN BASSO A SINISTRA. → Premere il tasto IN BASSO AL CENTRO per avanzare al codice successivo. |
| <u>8.21</u> | CICLI I RISCIAQUO |
| <u>8.21</u> | Rappresenta la durata e il numero totale di risciacqui. Ciascuna agitazione per il risciacquo dura 1-4 minuti ed è possibile scegliere 1 o 2 risciacqui. La cifra centrale rappresenta la durata dell'agitazione per il risciacquo, mentre la cifra a destra rappresenta il numero di risciacqui. Il numero viene modificato nella sequenza seguente (11, 21, 31, 41, 12, 22, 32, 42) premendo il tasto IN BASSO A SINISTRA. Premere il tasto IN BASSO AL CENTRO per avanzare al codice successivo. Per il ciclo DELICATES & KNITS (Delicati) la durata del ciclo di agitazione del risciacquo è fissa a un minuto. → Premere il tasto IN BASSO AL CENTRO per avanzare al codice successivo. |
| <u>9.00</u> | OPZIONE CONTEGGIO CICLI Questa opzione è SELEZIONATA "ON" o NON SELEZIONATA "OFF". |
| <u>9.00</u> | Non selezionata "OFF". |
| <u>9.00</u> | Selezionata "ON" senza possibilità di deselegionare. Premere il tasto IN BASSO A DESTRA 3 volte consecutive per selezionare "ON". Quando è selezionato "ON" non può essere deselegionato. → Premere il tasto IN BASSO AL CENTRO per avanzare al codice successivo. |
| <u>1.00</u> | OPZIONE CONTEGGIO DENARO Questa opzione è SELEZIONATA "ON" o NON SELEZIONATA "OFF". |
| <u>1.00</u> | Non selezionata "OFF". |
| <u>1.00</u> | Selezionata "ON". Premere il tasto IN BASSO A DESTRA 3 volte consecutive per selezionare "ON" e 3 volte consecutive per annullare la selezione (non selezionato "OFF"). Passando da "OFF" a "ON" il contatore si azzerà. |
| <u>1.00</u> | Selezionata "ON" senza possibilità di deselegionare. Per selezionare "ON" senza possibilità di deselegionare, prima selezionare "ON," quindi entro 2 secondi, premere due volte il tasto IN BASSO A DESTRA, una volta IN BASSO A SINISTRA e uscire dalla modalità di configurazione. → Premere il tasto IN BASSO AL CENTRO per avanzare al codice successivo. |

| CODICE | SPIEGAZIONE |
|---|---|
| 2.00 | OPZIONE PREZZO SPECIALE Questa opzione è SELEZIONATA "ON" o NON SELEZIONATA "OFF". |
| 2.00 | Non selezionata "OFF". |
| 2.5P | Selezionata "ON". Premere il tasto IN BASSO A DESTRA una volta per eseguire la selezione. Se si seleziona l'OPZIONE PREZZO SPECIALE, si ha accesso ai codici da "3" a "9". → Premere il tasto IN BASSO AL CENTRO per avanzare al codice successivo. |
| OPZIONI DA USARE SE SI SELEZIONA IL PREZZO SPECIALE: | |
| 3.07 | PREZZO CICLO SPECIALE |
| 3.07 | Rappresenta il numero di minuti dei quarti (moneta 1). È regolabile nell'intervallo 0-39. (vedere il VALORE DELLA MONETA 1). Avanzare nell'intervallo 0-39 premendo il tasto IN BASSO A SINISTRA. Preimpostazione di fabbrica: 7 monete = \$1,75. SOLO MODELLI PR: preimpostazione di fabbrica = 0 monete. → Premere il tasto IN BASSO AL CENTRO per avanzare al codice successivo. |
| 5.00 | ORARIO DEL GIORNO, MINUTI |
| 5.00 | Si tratta dell'ORARIO DEL GIORNO, impostazione dei minuti; selezionare 0-59 minuti premendo il tasto IN BASSO A SINISTRA. → Premere il tasto IN BASSO AL CENTRO per avanzare al codice successivo. |
| 6.00 | ORARIO DEL GIORNO, ORE NOTA: viene usato l'orario militare o nel formato di 24 ore. |
| 6.00 | Si tratta dell'ORARIO DEL GIORNO, impostazione delle ore; selezionare 0-23 ore premendo il tasto IN BASSO A SINISTRA. → Premere il tasto IN BASSO AL CENTRO per avanzare al codice successivo. |
| 7.00 | ORARIO DI INIZIO DEL PREZZO SPECIALE NOTA: viene usato l'orario militare o nel formato di 24 ore. |
| 7.00 | Si tratta dell'orario di inizio, da 0 a 23 ore. Selezionare START HOUR (Ora di inizio) premendo il tasto IN BASSO A SINISTRA. → Premere il tasto IN BASSO AL CENTRO per avanzare al codice successivo. |
| 8.00 | ORARIO DI FINE DEL PREZZO SPECIALE NOTA: viene usato l'orario militare o nel formato di 24 ore. |
| 8.00 | Si tratta dell'orario di inizio, da 0 a 23 ore. Selezionare START HOUR (Ora di inizio) premendo il tasto IN BASSO A SINISTRA → Premere il tasto IN BASSO AL CENTRO per avanzare al codice successivo. |

| CODICE | SPIEGAZIONE | | | | | | | | | | | | | | | | | | | | | | | | |
|---|--|----------------------|------------------------|----------------------|----|---------------------|----|----|-------------------|----|----|--------------------|----|----|----------------------|----|----|--------------------|----|----|--------------------|----|----|-------------------|----|
| 9.10 | GIORNATE CON PREZZO SPECIALE | | | | | | | | | | | | | | | | | | | | | | | | |
| 9.10 | Rappresenta il giorno della settimana e indica se in quel giorno è stato selezionato il prezzo speciale. Un numero seguito da "0" indica che per quel giorno specifico non sono presenti offerte (9.10). Un numero seguito da una "S" indica la selezione del giorno (9.1S). I giorni della settimana (1-7) possono essere scelti premendo il tasto IN BASSO A SINISTRA. Premere il tasto IN BASSO A SINISTRA una volta per selezionare il prezzo speciale di ciascun giorno scelto. Quando si esce dal codice di configurazione "9", sul display viene visualizzato il giorno corrente: | | | | | | | | | | | | | | | | | | | | | | | | |
| <table border="1"> <thead> <tr> <th>VISUALIZZAZIONE</th> <th>GIORNO DELLA SETTIMANA</th> <th>CODICE (selezionato)</th> </tr> </thead> <tbody> <tr> <td>10</td> <td>Giorno 1 = Domenica</td> <td>1S</td> </tr> <tr> <td>20</td> <td>Giorno 2 = Lunedì</td> <td>2S</td> </tr> <tr> <td>30</td> <td>Giorno 3 = Martedì</td> <td>3S</td> </tr> <tr> <td>40</td> <td>Giorno 4 = Mercoledì</td> <td>4S</td> </tr> <tr> <td>50</td> <td>Giorno 5 = Giovedì</td> <td>5S</td> </tr> <tr> <td>60</td> <td>Giorno 6 = Venerdì</td> <td>6S</td> </tr> <tr> <td>70</td> <td>Giorno 7 = Sabato</td> <td>7S</td> </tr> </tbody> </table> | | VISUALIZZAZIONE | GIORNO DELLA SETTIMANA | CODICE (selezionato) | 10 | Giorno 1 = Domenica | 1S | 20 | Giorno 2 = Lunedì | 2S | 30 | Giorno 3 = Martedì | 3S | 40 | Giorno 4 = Mercoledì | 4S | 50 | Giorno 5 = Giovedì | 5S | 60 | Giorno 6 = Venerdì | 6S | 70 | Giorno 7 = Sabato | 7S |
| VISUALIZZAZIONE | GIORNO DELLA SETTIMANA | CODICE (selezionato) | | | | | | | | | | | | | | | | | | | | | | | |
| 10 | Giorno 1 = Domenica | 1S | | | | | | | | | | | | | | | | | | | | | | | |
| 20 | Giorno 2 = Lunedì | 2S | | | | | | | | | | | | | | | | | | | | | | | |
| 30 | Giorno 3 = Martedì | 3S | | | | | | | | | | | | | | | | | | | | | | | |
| 40 | Giorno 4 = Mercoledì | 4S | | | | | | | | | | | | | | | | | | | | | | | |
| 50 | Giorno 5 = Giovedì | 5S | | | | | | | | | | | | | | | | | | | | | | | |
| 60 | Giorno 6 = Venerdì | 6S | | | | | | | | | | | | | | | | | | | | | | | |
| 70 | Giorno 7 = Sabato | 7S | | | | | | | | | | | | | | | | | | | | | | | |
| → Premere il tasto IN BASSO AL CENTRO per avanzare al codice successivo. | | | | | | | | | | | | | | | | | | | | | | | | | |
| 9.00 | OPZIONE VISUALIZZAZIONE A VOLTA Questa opzione è SELEZIONATA "ON" o NON SELEZIONATA "OFF". | | | | | | | | | | | | | | | | | | | | | | | | |
| 9.00 | Non selezionata "OFF". | | | | | | | | | | | | | | | | | | | | | | | | |
| 9.5C | Selezionata "ON". Premere il tasto IN BASSO A DESTRA una volta per eseguire la selezione. Quando selezionato, sarà possibile visualizzare le monete e/o il conteggio dei cicli (se si seleziona conteggio) quando viene rimosso il salvadanaio. → Premere il tasto IN BASSO AL CENTRO per avanzare al codice successivo. | | | | | | | | | | | | | | | | | | | | | | | | |
| 6.05 | VALORE DELLA MONETA 1 | | | | | | | | | | | | | | | | | | | | | | | | |
| 6.05 | Rappresenta il valore della moneta 1 in termini di numero di monete: 05 = \$0.25. Premendo il tasto IN BASSO A SINISTRA, è possibile scegliere tra 1 e 199 monete. → Premere il tasto IN BASSO AL CENTRO per avanzare al codice successivo. | | | | | | | | | | | | | | | | | | | | | | | | |
| 6.20 | VALORE DELLA MONETA 2 | | | | | | | | | | | | | | | | | | | | | | | | |
| 6.20 | Rappresenta il valore della moneta 2 in termini di numero di monete: 20 = \$1.00. MODELLI PR: Preimpostazione di fabbrica, \$ 0,25: Premendo il tasto PERMANENT PRESS (Pressione permanente), è possibile scegliere tra 1 e 199 monete. → Premere il tasto IN BASSO AL CENTRO per avanzare al codice successivo. | | | | | | | | | | | | | | | | | | | | | | | | |

| CODICE | SPIEGAZIONE |
|--------|--|
| d.00 | OPZIONE SCIVOLO MONETE Questa opzione è SELEZIONATA "ON" o NON SELEZIONATA "OFF". |
| d.00 | Non selezionata "OFF". |
| d.05 | Selezionata "ON". Premere il tasto PERMANENT PRESS (Pressione permanente) per 3 volte consecutive per questa selezione. Quando viene selezionata la modalità dello scivolo monete, importare "b." al valore dello scivolo in monete. Impostare la fase 6 (prezzo del ciclo normale) e la fase 3 (prezzo del ciclo speciale) al numero di operazioni dello scivolo. NOTA: se l'installatore configura "CS" su un modello con inserimento monete, le monete non saranno registrate. → Premere il tasto IN BASSO AL CENTRO per avanzare al codice successivo. |
| E.00 | OPZIONE AGGIUNTA MONETE Questa opzione è SELEZIONATA "ON" o NON SELEZIONATA "OFF". Questa opzione consente all'utente di visualizzare il numero di monete (moneta 1) da inserire piuttosto che la quantità in dollari e centesimi. |
| E.00 | Non selezionata "OFF". |
| E.AC | Selezionata "ON". Premere il tasto PERMANENT PRESS (Pressione permanente) 3 volte consecutive per questa selezione. → Premere il tasto IN BASSO AL CENTRO per avanzare al codice successivo. |
| F.00 | OPZIONE PREZZO MIGLIORATO |
| F.00 | Non selezionata "OFF". |
| F.0P | Viene attivato prezzo in base al ciclo. Questa opzione consente di configurare prezzi diversi per cicli di lavaggio a freddo, tiepido o caldo. Premere il tasto IN BASSO A DESTRA per eseguire la selezione. |
| F.5u | Attivazione del prezzo per ciclo super. Questa opzione consente ai clienti di fare l'upgrade dei cicli versando altre monete. I codici di configurazione "H." e "h." saranno visualizzati solo quando viene abilitata questa opzione. Premere il tasto IN BASSO A DESTRA per eseguire la selezione. → Premere il tasto IN BASSO AL CENTRO per avanzare al codice successivo. |
| H.01 | PREZZO DI UPGRADE A CICLO SUPER (saltato se il prezzo del ciclo super non è abilitato). |
| H.01 | Rappresenta il numero della moneta 1 richiesto per aggiornare un ciclo di base a un ciclo super. Avanzare nell'intervallo 0-39 premendo il tasto IN BASSO A SINISTRA. → Premere il tasto IN BASSO AL CENTRO per avanzare al codice successivo. |

| CODICE | SPIEGAZIONE |
|--------|--|
| h.01 | TIPO CICLO SUPER (saltato se il prezzo del ciclo super non è abilitato). |
| h.01 | Rappresenta l'opzione di aggiornamento al ciclo super. Premere il tasto IN BASSO A SINISTRA per passare tra le opzioni di aggiornamento 1-3, come segue: 01 – lavaggio migliorato, 3 minuti extra di lavaggio oltre a quello programmato. 02 – risciacquo extra per tutti i cicli. 03 – entrambi 01 e 02. → Premere il tasto IN BASSO AL CENTRO per avanzare al codice successivo. |
| | OPZIONE MONETE/CARTA |
| | Monete e carta selezionate contemporaneamente. |
| | Monete abilitate, carta disabilitata. Premere il tasto IN BASSO A DESTRA per eseguire la selezione. |
| | Carta di debito selezionata, monete disabilitate. Premere il tasto IN BASSO A DESTRA per eseguire la selezione. |
| | La modalità Carta di debito avanzata viene selezionata quando si installano lettori di carte di seconda generazione nella lavatrice. Non è possibile selezionare o deselegionare manualmente l'opzione "Ed". → Premere il tasto IN BASSO AL CENTRO per avanzare al codice successivo. |
| | OPZIONE SOPPRESSIONE PREZZO Questa opzione visualizza sul display del cliente "ADD" (Aggiungi) o "AVAILABLE" (Disponibile), piuttosto che la quantità di monete da aggiungere (utilizzata principalmente in installazioni con carta di debito). Non selezionata "OFF". |
| | Selezionata "ON". Premere il tasto IN BASSO A DESTRA una volta per eseguire la selezione. → Premere il tasto IN BASSO AL CENTRO per avanzare al codice successivo. |
| | OPZIONE ELIMINAZIONE DEPOSITO Quando selezionata, le monete che rimangono nel deposito per 30 minuti senza attività di cicli saranno eliminate. Selezionata "ON". |
| | Non selezionata "OFF". Premere il tasto IN BASSO A DESTRA una volta per annullare la selezione. → Premere il tasto IN BASSO AL CENTRO per avanzare al codice successivo. |
| | OFFSET INCREMENTO CENTESIMI |
| | Rappresenta l'offset del prezzo in incrementi in centesimi usato nei modelli PR di generazione 2 (con funzioni carta di debito migliorate) Scegliere tra 0 e 4 centesimi premendo il tasto IN BASSO A SINISTRA. → Premere il tasto IN BASSO AL CENTRO per avanzare al codice successivo. |

Se si seleziona il contatore di cicli (9.0C), è vero quanto segue:

100 rappresenta il numero di cicli in CENTINAIA. 1 02 = 200

200 rappresenta il numero di cicli in UNITÀ. 2 25 = 25

CICLI TOTALI = 225

Questa è una modalità di "SOLA VISUALIZZAZIONE" e non può essere cancellata.

Premere il tasto IN BASSO AL CENTRO per avanzare al codice successivo.

Se si seleziona il contatore di denaro (1.0C o 1.C0), è vero quanto segue:

300 quantità di valuta in CENTESIMI. 3 01 = 100,00

400 quantità di valuta in UNITÀ. 4 68 = 68,00

500 quantità di valuta in CENTESIMI. 5 75 = 0,75

TOTALE = 168,75

TERMINE DELLA PROCEDURA DI CONFIGURAZIONE

USCITA DALLA MODALITÀ DI CONFIGURAZIONE

- Modelli PD: reinstallare lo sportello di accesso.
- Modelli PR:
 - Scollegare la lavatrice o disconnettere l'alimentazione.
 - Aprire la console, reinserire la spina in AA1, chiudere la console.
 - Inserire la spina della lavatrice o riconnettere l'alimentazione.

GARANZIA MAYTAG® PER LAVATRICE COMMERCIALE A CARICO SINGOLO E A PAGAMENTO A CARICO MULTIPLO E PER ASCIUGATRICE

GARANZIA LIMITATA SUI PEZZI

Per i primi cinque anni dalla data di acquisto, ove l'installazione, la manutenzione e il funzionamento siano avvenuti in conformità con le istruzioni allegate o fornite con il prodotto, Maytag marchio di Whirlpool Corporation (da questo momento "Maytag") sarà responsabile del rimborso delle parti indicate dalla fabbrica o delle parti delle apparecchiature originali indicate dal produttore in caso di difetti nei materiali o di fabbricazione. È necessaria una prova della data di acquisto per ottenere l'assistenza coperta dalla presente garanzia.

VOCI NON A CARICO DI MAYTAG:

1. Tutti gli altri costi inclusi, manodopera, trasporto o dazi doganali.
2. L'assistenza in caso di errata installazione dell'apparecchiatura commerciale, per ricevere istruzioni sull'uso del dispositivo, per la sostituzione o riparazione di fusibili oppure per correggere il cablaggio o l'impianto idraulico esterni.
3. Riparazioni in caso di utilizzo dell'apparecchiatura al di fuori del proprio regolare uso commerciale.
4. Danni provocati dall'errata manipolazione del prodotto durante la consegna, furto, incidenti, alterazioni, cattivo utilizzo, abusi, incendio, inondazione, cause di forza maggiore, errata installazione, installazione non in conformità con le norme sugli impianti elettrici e idraulici locali, uso di prodotti non approvati da Maytag.
5. Ritiro e consegna. Questo dispositivo commerciale è progettato per essere riparato in situ.
6. Riparazioni di parti o sistemi provocate da modifiche non autorizzate apportate al dispositivo commerciale.
7. La rimozione e reinstallazione del dispositivo commerciale se installato in un'area di difficile accesso o non in conformità con le istruzioni di installazione pubblicate.
8. I danni chimici sono esclusi dalla copertura della garanzia.
9. Le modifiche all'edificio, alla stanza o all'area necessarie al corretto funzionamento del dispositivo commerciale.
10. Riparazioni effettuate non da personale di assistenza autorizzato della Whirlpool.

LIMITAZIONE DELLE GARANZIE IMPLICITE; LIMITAZIONE DEI RIMEDI

UNICO E SOLO RIMEDIO DA PARTE DEL CLIENTE SOTTO LA PRESENTE GARANZIA È LA RIPARAZIONE DEL PRODOTTO COME SPECIFICATO DALLA PRESENTE GARANZIA. LE GARANZIE IMPLICITE, INCLUSE LE GARANZIE DI COMMERCIALITÀ O IDONEITÀ PER UNO SCOPO PARTICOLARE, SONO LIMITATE A UN ANNO O AL PERIODO MINIMO CONSENTITO DALLA LEGGE. WHIRPOOL NON È RESPONSABILE DI INCIDENTI O DANNI DA ESSI DERIVANTI. ALCUNI STATI E PROVINCE NON RICONOSCONO L'ESCLUSIONE DI DANNI INCIDENTALI O CONSEGUENZIALI O LE LIMITAZIONI SULLA DURATA DELLE GARANZIE IMPLICITE DI COMMERCIALITÀ O IDONEITÀ; PERTANTO QUESTA LIMITAZIONE ED ESCLUSIONE POTREBBE NON ESSERE APPLICABILE. LA PRESENTE GARANZIA FORNISCE DIRITTI LEGALI SPECIFICI OLTRE A QUELLI EVENTUALI CHE SPETTANO IN BASE ALLO STATO O ALLA PROVINCIA A CUI SI APPARTIENE.

Per assistenza, contattare il distributore autorizzato di lavatrici commerciali Maytag®. Per localizzare il rivenditore Maytag® locale o per richieste via Web, visitare www.MaytagCommercialLaundry.com.

Per inviare richieste per iscritto scrivere a:

Maytag® Commercial Laundry Service Department
2000 M-63 North
Benton Harbor, Michigan 49022

3/10

W10045627A

© 2011

All rights reserved.
Tous droits réservés.
Todos los derechos reservados.
Tutti i diritti riservati.

® Registered Trademark/™ Trademark of Maytag Properties LLC or its related companies.
® Marque déposée/™ Marque de commerce de Maytag Properties LLC ou ses compagnies affiliées.
® Marca registrada/™ Marca de comercio son propiedad Maytag Properties LLC
o sus compañías relacionadas.
® Marchio di fabbrica /™ marchio del depositato di Maytag Properties LLC o le sue società relative.

12/2011
Printed in U.S.A.
Imprimé aux É.-U.
Impreso en EE.UU.
Stampato negli S.U.A.

Free Manuals Download Website

<http://myh66.com>

<http://usermanuals.us>

<http://www.somanuals.com>

<http://www.4manuals.cc>

<http://www.manual-lib.com>

<http://www.404manual.com>

<http://www.luxmanual.com>

<http://aubethermostatmanual.com>

Golf course search by state

<http://golfingnear.com>

Email search by domain

<http://emailbydomain.com>

Auto manuals search

<http://auto.somanuals.com>

TV manuals search

<http://tv.somanuals.com>