



## Freestanding Gas Range

### PRODUCT MODEL NUMBERS

MGR6751BD MGR6875AD  
MGR6775BD

**Gas supply:** Installation of this range must conform with local codes or, in the absence of local codes, with the National Fuel Gas Code, ANSI Z223.1 - latest edition. In Canada the range must be installed in accordance with the current CGA Standard CAN/CGA-B149 - Installation Codes for Gas Burning Appliances and Equipment and/or local codes.

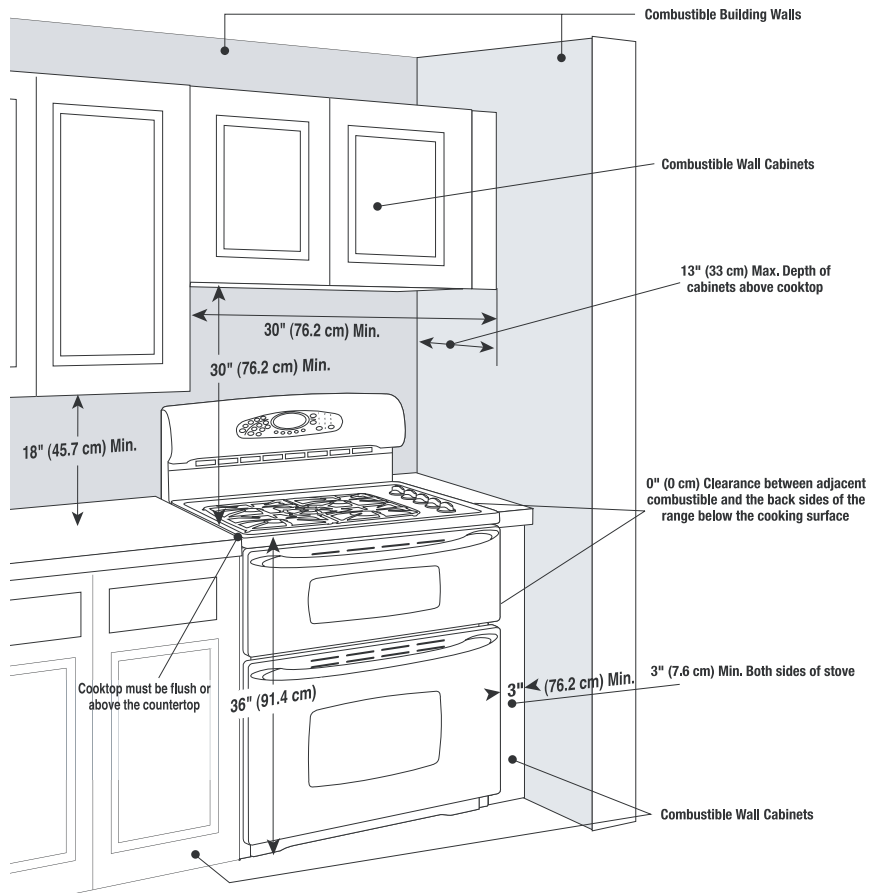
### In The Commonwealth Of Massachusetts

This product must be installed by a licensed plumber or gas fitter when installed within the Commonwealth of Massachusetts. A "T" handle type manual gas valve must be installed in the gas supply line to this appliance. A flexible gas connector, when used, must not exceed a length of 3 ft / 36".

### Electrical Supply Connection

The range requires 120 volts, 60 cycle alternating current from a dedicated grounded outlet with a 15 amp circuit breaker. See serial plate for rating, located on flip-up plate at the rear of upper left-hand corner of backguard. User may experience occasional circuit tripping if Ground Fault Circuit Interrupter (GFCI) outlet or breaker is in use.

### CLEARANCE DIMENSIONS

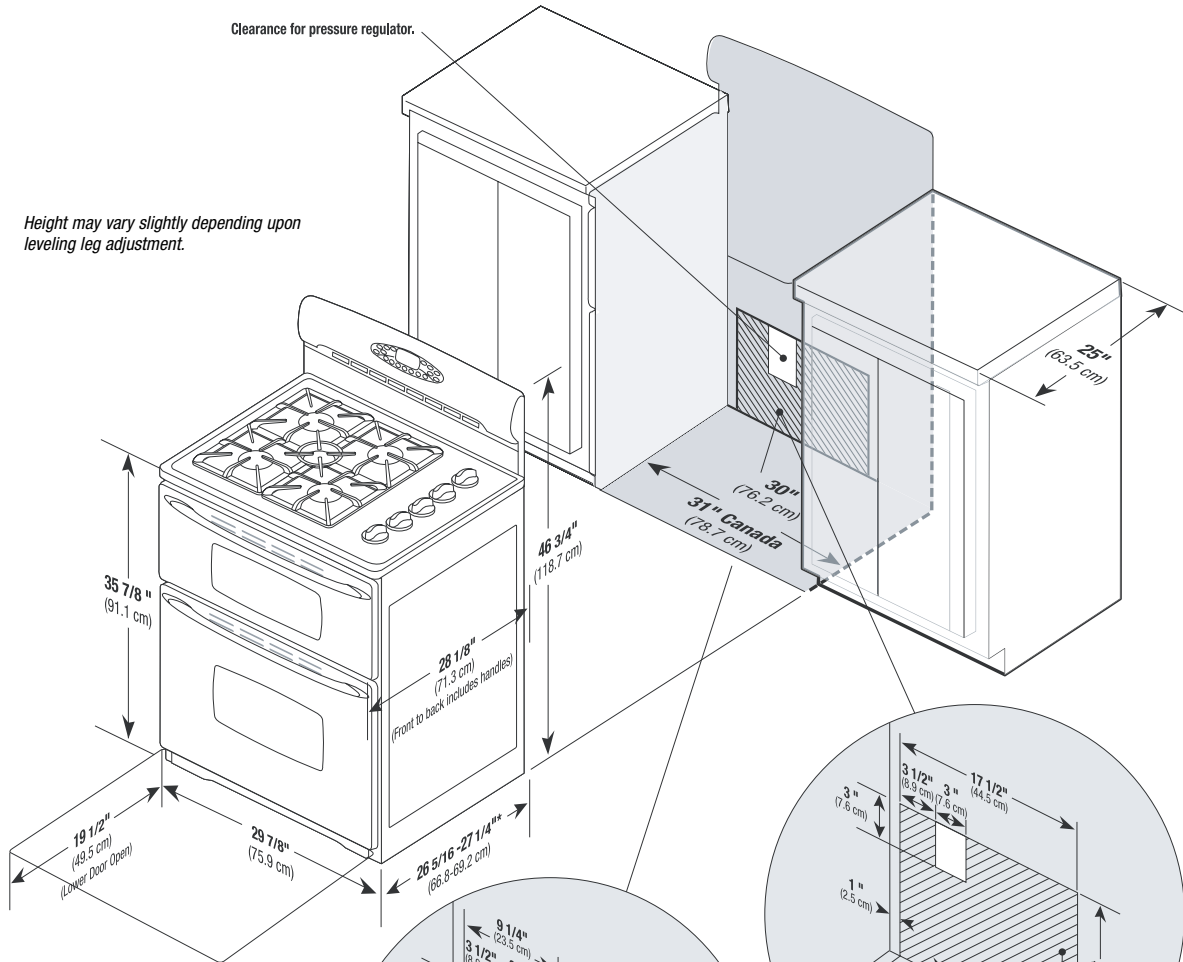


Range may be installed with zero inches clearance adjacent to (against) combustible construction at the rear and on the sides below the cooktop. For complete information in regard to the installation of wall cabinets above the range and clearances to combustible wall above the cooking top see the installation drawings. For SAFETY CONSIDERATIONS do not install a range in any combustible cabinetry which is not in accord with the installation drawings.

**\*NOTE:** 30" (76.2 cm) dimension between cooking top and wall cabinet shown on illustration does not apply to ranges with an elevated oven or microwave. The installation instructions of the elevated oven will specify the minimum acceptable dimension between the cooktop and elevated oven. The 30" (76.2 cm) dimension may be reduced to not less than 24" (61 cm) when the wall cabinets in a domestic home are protected with fireproof materials in accordance with American National Standards - National Fuel Gas Code or in mobile homes when they are protected with fireproof materials in accordance with the Federal Standard for Mobile Home Construction and Safety.

To eliminate the risk of burns or fire by reaching over heated surface units, cabinet storage space located above the surface units should be avoided. If cabinet storage is to be provided, the risk can be reduced by installing a range hood that projects horizontally a minimum of 5" (13 cm) beyond the bottom of the cabinets

# CABINET OPENING DIMENSIONS

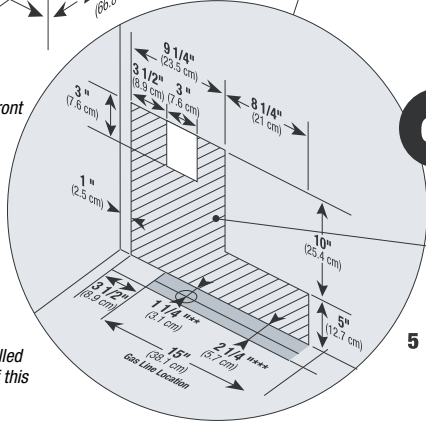


Height may vary slightly depending upon leveling leg adjustment.

Clearance for pressure regulator.

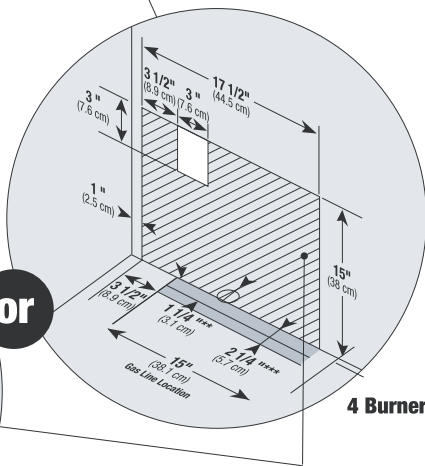
\* Excluding handle. Dimension given is from wall to front of oven door, and will vary based on electric outlet receptacle installation.

\*\*\*Note: Gas lines and electrical plugs MUST be installed within the shaded area to ensure proper alignment of this oven with your cabinets.



5 Burner

or



4 Burner

120 Volt Grounded Electrical Outlet in this area Outlet MUST be flush. Nothing located in shaded area can extend more than 2" from wall or range will not slide all the way back.

\*\*Note: Drill on centerline 1/4" from rear wall for gas supply line.

## Free Manuals Download Website

<http://myh66.com>

<http://usermanuals.us>

<http://www.somanuals.com>

<http://www.4manuals.cc>

<http://www.manual-lib.com>

<http://www.404manual.com>

<http://www.luxmanual.com>

<http://aubethermostatmanual.com>

Golf course search by state

<http://golfingnear.com>

Email search by domain

<http://emailbydomain.com>

Auto manuals search

<http://auto.somanuals.com>

TV manuals search

<http://tv.somanuals.com>