

Maytag® Freestanding Induction Range

MIR8890A



Key Features

Cooktop

- 4 Induction Elements:
 - (1) 11" Element
 - (1) 9" Element
 - (2) 6" Elements
- Electronic Touch Controls

Oven

- 6.2 cu. ft. Oven - Industry Leading Capacity*
- EvenAir™ True Convection with Automatic Conversion
- Power Preheat
- AquaLift™ Technology Clean
- Warming Drawer with Handle
- Panoramic View Oven Window
- 2 Standard and 1 Max Capacity Rack
- Heavy-Duty Knobs
- Hidden Bake
- Sabbath Mode
- Delay Bake
- 10-Year Limited Parts Warranty* on Induction Cooktop Elements and Oven Elements and Ceramic Glass Cooktop.



COLOR OPTION

Stainless
Steel(S)



*Among leading brand single cavity induction 30" freestanding ranges.

Visit maytag.com for warranty details.



Maytag® Freestanding Electric Induction Cooktop Range

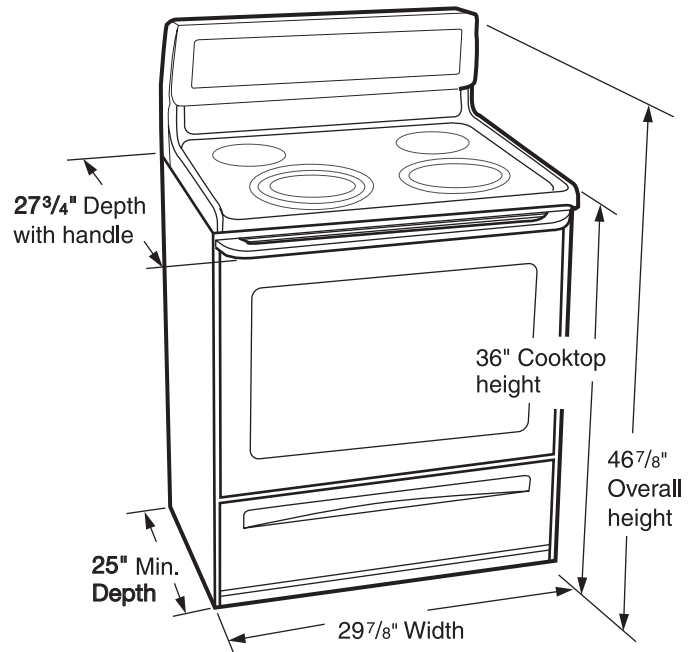
MIR8890A

Specifications

MODEL NUMBER	MIR8890A
COOKTOP	
Cooktop Type	Smoothtop Glass
ELEMENT DETAIL	
Number of Elements	4
Left Front Size (in)	11"
Left Front Power (watts)	3700
Right Front Size (in)	6"
Right Front Power (watts)	1800
Left Rear Size (in)	6"
Left Rear Power (watts)	1800
Right Rear Size (in)	9"
Right Rear Power (watts)	3200
OVEN DETAIL	
Oven Capacity	6.2 cu. ft. oven Industry Leading Capacity*
Convection	TRUE
Warm Hold	Yes
Power Preheat	Yes
Sabbath Mode	Yes
Cooking System	Precision Cooking™ System
Hidden Bake Element	Yes
Broiler at 240V	3600
Number Oven Racks	3
GENERAL INFORMATION	
Power On Indicator Light	Yes
Hot Surface Indicator Light(s)	Yes
Energy Save Mode	Yes
Drawer Type	Warming Drawer
Oven Window Size	Panoramic
Clock & Timer	Yes
Delayed Cooking Option	Delay Start
Control Lockout	Yes
Cleaning System	AquaLift™ Technology Clean
ELECTRIC REQUIREMENTS	
Total Connected Ld (kW) - 240V	14.6
Total Connected Ld (kW) - 208V	11
COLOR AVAILABILITY	
	S

S=Stainless Steel

Dimensions



DIMENSIONS	
Overall Height (in)	46 7/8
Overall Width (in)	29 7/8
Overall Depth (in)	27 3/4
Depth without Handle (in)	25 3/8
Depth with Door Open 90° (in)	47 13/16
Cutout Height (in)	36
Cutout Width (in)	30

Dimensions are for planning purposes only.
For complete details, see Installation Instructions packed with product.
Specifications subject to change without notice.

Free Manuals Download Website

<http://myh66.com>

<http://usermanuals.us>

<http://www.somanuals.com>

<http://www.4manuals.cc>

<http://www.manual-lib.com>

<http://www.404manual.com>

<http://www.luxmanual.com>

<http://aubethermostatmanual.com>

Golf course search by state

<http://golfingnear.com>

Email search by domain

<http://emailbydomain.com>

Auto manuals search

<http://auto.somanuals.com>

TV manuals search

<http://tv.somanuals.com>