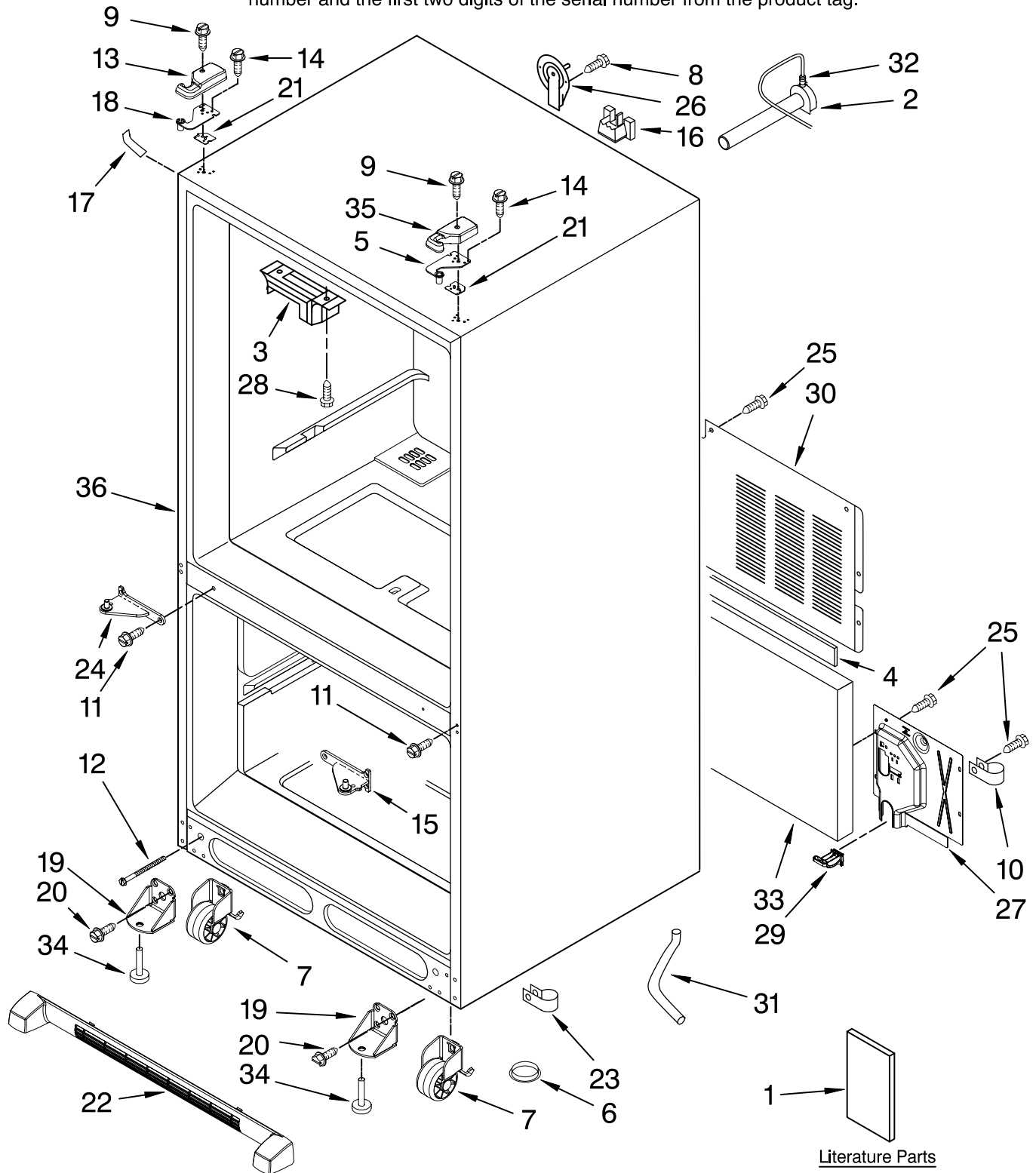


For Models: MFD2562VEA10, MFD2562VEB10, MFD2562VEM10, MFD2562VEW10
 (Monochromatic Satina) (Black) (Monochromatic Stainless) (White)

The model(s) number shown may be different than what is printed on the model/serial tag of your product. The number(s) shown combine the model number and the first two digits of the serial number from the product tag.



FOR ORDERING INFORMATION REFER TO PARTS PRICE LIST

CABINET PARTS

**For Models: MFD2562VEA10, MFD2562VEB10, MFD2562VEM10, MFD2562VEW10
(Monochromatic Satina) (Black) (Monochromatic Stainless) (White)**

The model(s) number shown may be different than what is printed on the model/serial tag of your product. The number(s) shown combine the model number and the first two digits of the serial number from the product tag.

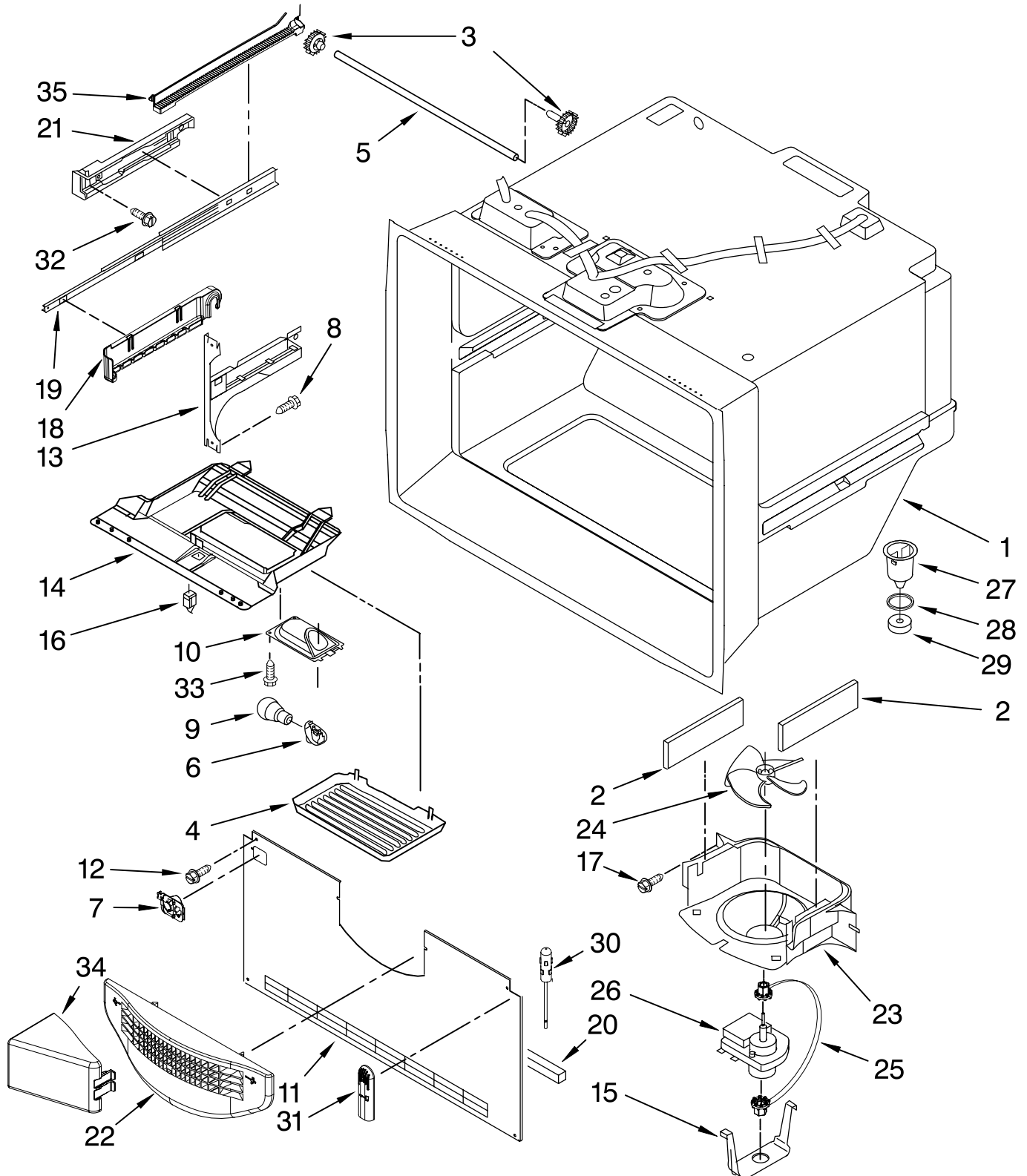
Illus. No.	Part No.	DESCRIPTION	Illus. No.	Part No.	DESCRIPTION	Illus. No.	Part No.	DESCRIPTION
1		Literature Parts	14	67006303	Screw (6)	23	W10157973	Clip, Drain Tube
	W10198858	Tech Sheet	15		Hinge, Center (RT)	24		Hinge, Center (LT)
	W10175446	Owners Manual		67006379	White		67006277	White
	W10187813	Tag, Energy		67006443	Black		67006275	Black
2	W10137519	Elbow, Fill Tube		W10191143	Apollo Grey		W10191142	Apollo Grey
3	67003405	Block, Pivot	16	67004092	Block, Filter (2)	25	67006425	Screw (10)
4	B5759649	Gasket	17		Cover, Corner	26	67003331	Cover, Water Line
5	67005955	Hinge, Top Right		67003484	White	27	67004098	Cover, Water Valve
6	A3076901	Plug, Button		67003485	Black	28	67006669	Screw (2)
7	67006118	Roller Assy. (2)		W10191102	Apollo Grey	29	67004101	Sweep, Dual Tube
8	67006287	Screw	18	W10199045	Hinge, Top Left	30	67006102	Cover, Unit
9	67006521	Screw	19	W10208641	Bracket, Foot (2)	31	W10164397	Tube, Drain
10	M0108105	Clamp, Tube	20	67006564	Screw	32	M0114003	Clip, Speed
11	67006380	Screw (6)	21		Shim, Hinge	33	67003796	Insulation, Sound
12	67006611	Bolt, Adjusting (Front)		67006308	Left	34	67003868	Foot Brake
13		Cover, Left Hinge		67006309	Right	35		Cover, Right Hinge
	67005953	White	22		Grille, Toe		67005958	White
	67005951	Black		67006377	White		67005956	Black
	W10191116	Apollo Grey		67006375	Black		W10191117	Apollo Grey
				W10191107	Apollo Grey	36		Cabinet (Not a Servicable Part)

FOR ORDERING INFORMATION REFER TO PARTS PRICE LIST

FREEZER LINER PARTS

For Models: MFD2562VEA10, MFD2562VEB10, MFD2562VEM10, MFD2562VEW10
(Monochromatic Satina) (Black) (Monochromatic Stainless) (White)

The model(s) number shown may be different than what is printed on the model/serial tag of your product. The number(s) shown combine the model number and the first two digits of the serial number from the product tag.



FOR ORDERING INFORMATION REFER TO PARTS PRICE LIST

FREEZER LINER PARTS

**For Models: MFD2562VEA10, MFD2562VEB10, MFD2562VEM10, MFD2562VEW10
(Monochromatic Satina) (Black) (Monochromatic Stainless) (White)**

The model(s) number shown may be different than what is printed on the model/serial tag of your product. The number(s) shown combine the model number and the first two digits of the serial number from the product tag.

Illus. No.	Part No.	DESCRIPTION
1		Liner (Not A Serviceable Part)
2	67001291	Gasket, Foam
3	12002497	Gear (Includes LH & RH)
4	67003905	Cover, Light
5	67004017	Shaft
6	Y12570701	Socket, Light
7	67005874	Guide, Fill Tube
8	67006473	Screw (8)
9	A0282812	Bulb, Light
10	67001035	Housing, Light
11	67005873	Cover, Evaporator
12	67006425	Screw (4)
13		Bracket, Door
	W10122147	Left
	W10122148	Right
14	67003906	Module, Light
15	W10208602	Clip, Evap Motor
16	67005653	Switch, Light
17	67006287	Screw (2)
18		Cradle, Basket
	W10187668	Left
	W10187667	Right
19	W10120018	Slide, Drawer (2)
20	67002492	Gasket, Bottom
21		Adapter, Slide
	W10149390	Left
	W10149391	Right
22	W10175909	Grille, Fz Air
23	W10167023	Shroud, Evap Fan
24	2169142	Blade, Fan (Evaporator)
25	W10150583	Grommet
26	W10199049	Motor, Evaporator
27	D7753903	Funnel, Drain
28	M0500703	Seal
29	B8381501	Gasket
30	12002355	Thermistor
31	67003924	Cover, Thermistor
32	67006406	Screw (6)
33	67006530	Screw
34	W10157765	Diverter, Air
35		Rail, Side
	W10146443	Left
	W10146444	Right

Following Parts Not Illustrated

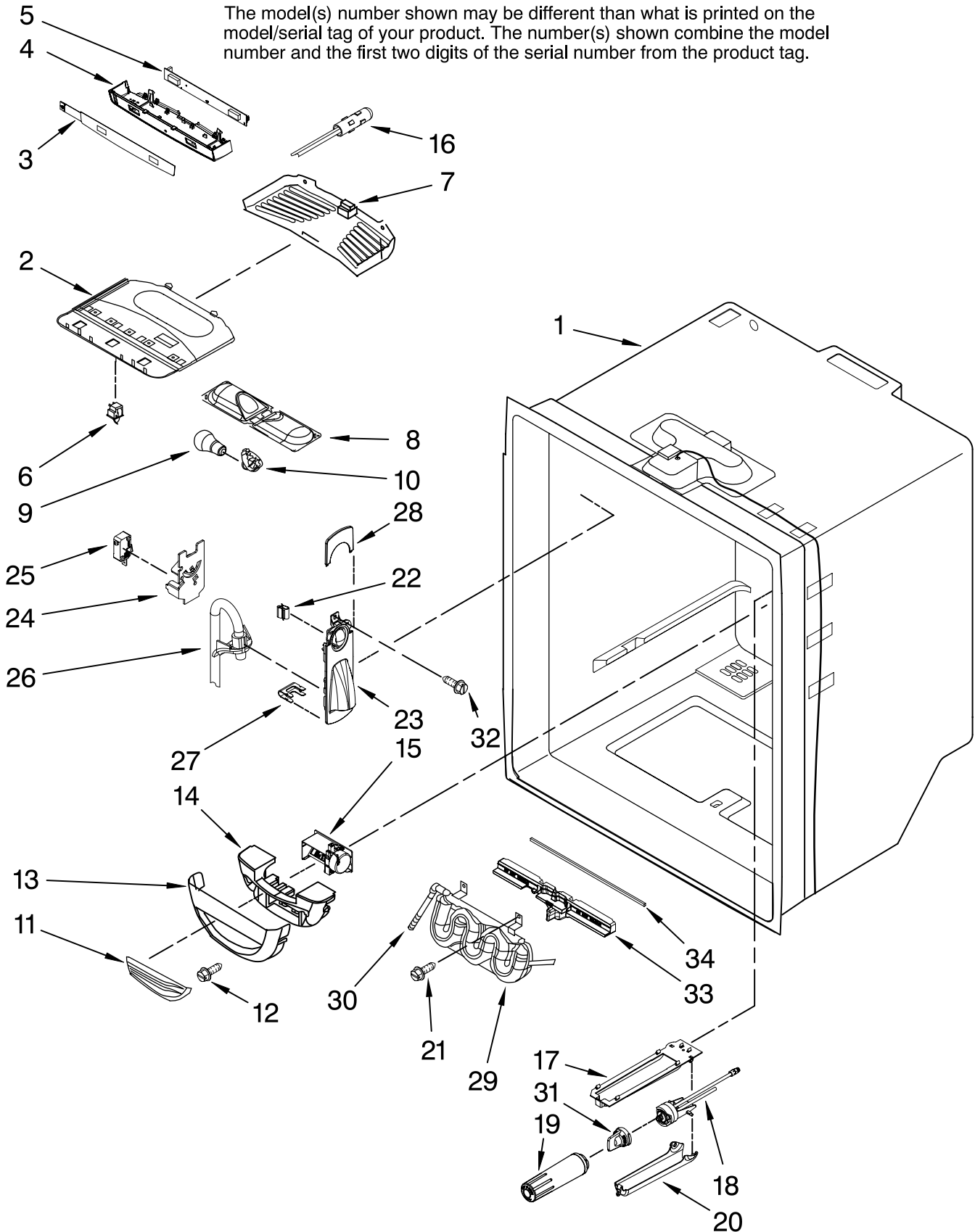
67006095 Harness, Fz Module

FOR ORDERING INFORMATION REFER TO PARTS PRICE LIST

REFRIGERATOR LINER PARTS

For Models: MFD2562VEA10, MFD2562VEB10, MFD2562VEM10, MFD2562VEW10
(Monochromatic Satina) (Black) (Monochromatic Stainless) (White)

The model(s) number shown may be different than what is printed on the model/serial tag of your product. The number(s) shown combine the model number and the first two digits of the serial number from the product tag.



FOR ORDERING INFORMATION REFER TO PARTS PRICE LIST

REFRIGERATOR LINER PARTS

For Models: MFD2562VEA10, MFD2562VEB10, MFD2562VEM10, MFD2562VEW10
(Monochromatic Satina) (Black) (Monochromatic Stainless) (White)

The model(s) number shown may be different than what is printed on the model/serial tag of your product. The number(s) shown combine the model number and the first two digits of the serial number from the product tag.

Illus. No.	Part No.	DESCRIPTION
1		Liner (Not A Serviceable Part)
2	67004078	Bracket, Control and Lights
3	W10175935	Keyboard
4	W10185585	Housing, Control
5	W10207861	Board, Control
6	C3680310	Switch, Light (2)
7	67003897	Cover, Light
8	67003901	Housing, Light
9	A0282812	Bulb, Light (2)
10	Y12570701	Socket, Light (2)
11	67003900	Insert, Damper Cover
12	67006602	Screw (2)
13	67003899	Cover, Damper
14	67006604	Insulation
15	W10127429	Control, Damper (Incl. Harness)
16	12002355	Thermistor
17	67001668	Plate
18	67006524	Head, Filter
19	UKF8001AXX	Filter, Water
20	12568001	Cover, Filter
21	67006287	Screw (2)
22	B8390302	Clip, Facade (2)
23	W10158503	Facade, Dispenser
24	67002742	Plate, Switch
25	12575501	Switch, Limit
26	67003728	Guide, Waterline
27	67002816	Clip, Waterline
28	67005674	Facade (Top)
29	W10153959	Tank, Water
30	61006182	Union
31	12664501	Plug, Bypass
32	67006400	Screw (2)
33	W10117358	Insulation, Tank
34	W10130483	Gasket

Following Parts Not Illustrated

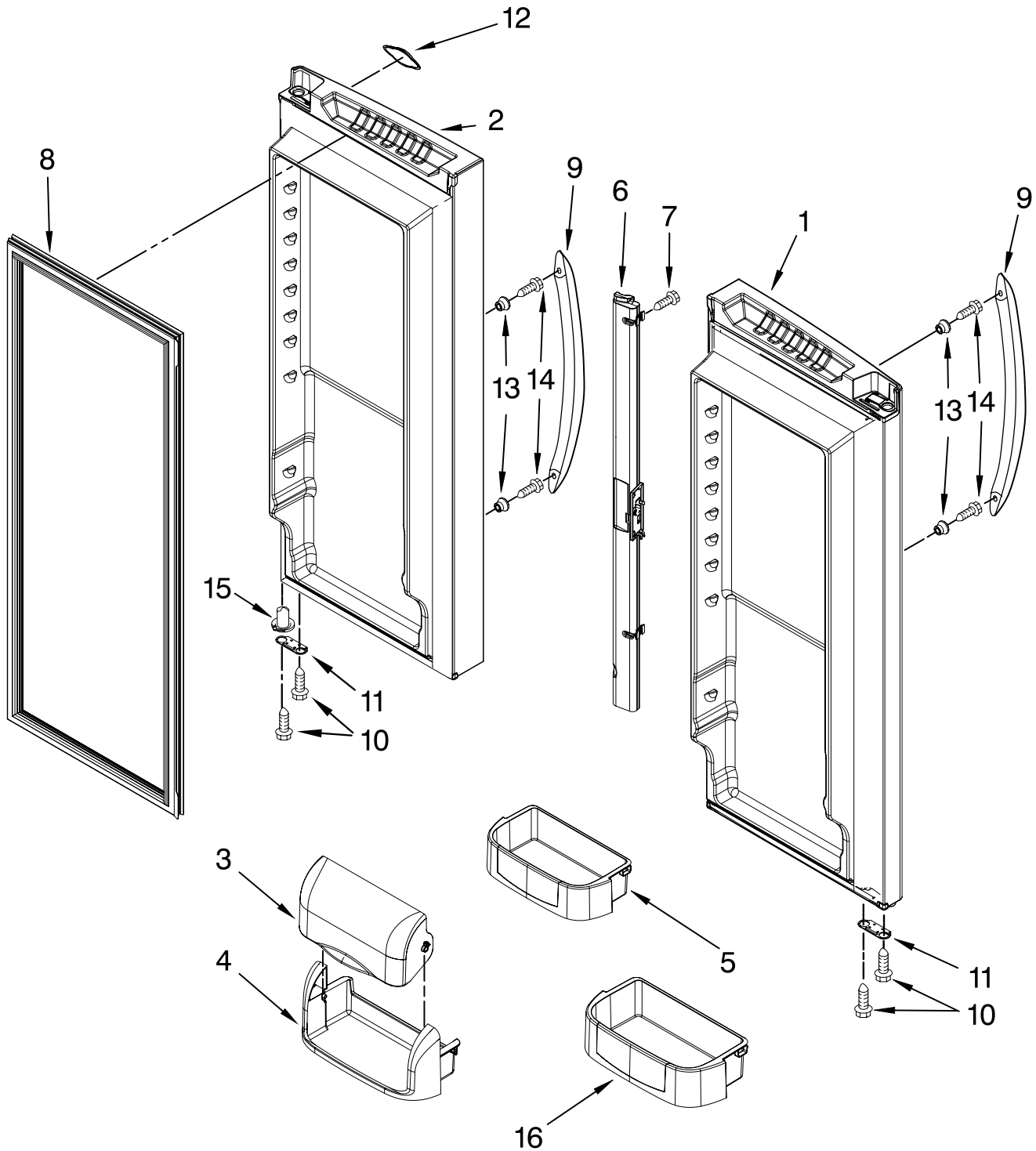
67005417 Harness, Control (Refrigerator)

FOR ORDERING INFORMATION REFER TO PARTS PRICE LIST

REFRIGERATOR DOOR PARTS

For Models: MFD2562VEA10, MFD2562VEB10, MFD2562VEM10, MFD2562VEW10
(Monochromatic Satina) (Black) (Monochromatic Stainless) (White)

The model(s) number shown may be different than what is printed on the model/serial tag of your product. The number(s) shown combine the model number and the first two digits of the serial number from the product tag.



FOR ORDERING INFORMATION REFER TO PARTS PRICE LIST

REFRIGERATOR DOOR PARTS

For Models: MFD2562VEA10, MFD2562VEB10, MFD2562VEM10, MFD2562VEW10
(Monochromatic Satina) (Black) (Monochromatic Stainless) (White)

The model(s) number shown may be different than what is printed on the model/serial tag of your product. The number(s) shown combine the model number and the first two digits of the serial number from the product tag.

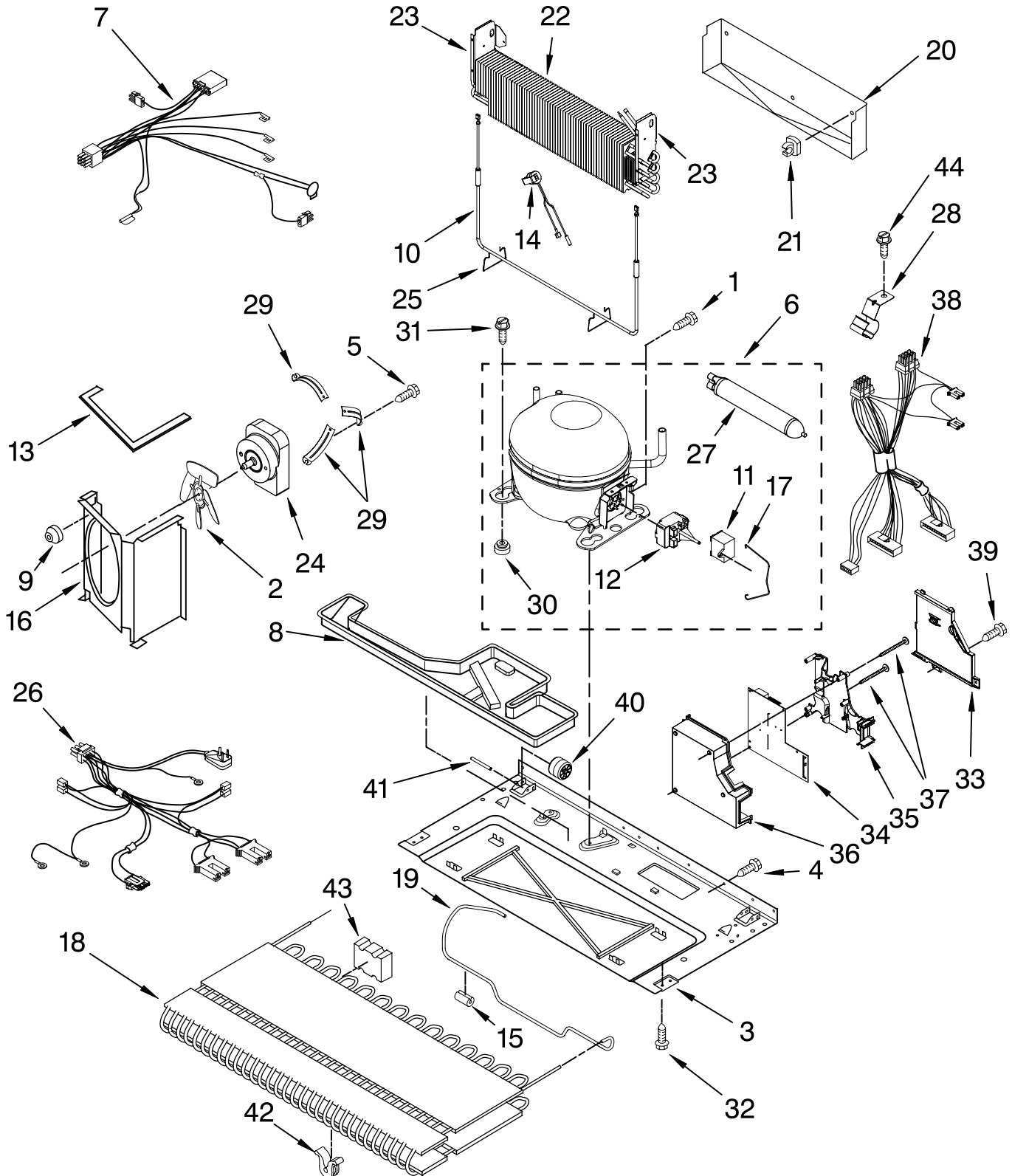
Illus. No.	Part No.	DESCRIPTION
1		Door, Left
	W10199095	White
	W10199872	Black
	W10199863	Stainless
	W10199868	Satina
2		Door, Right
	W10199092	White
	W10200711	Black
	W10199865	Stainless
	W10199871	Satina
3	67003637	Door, Dairy
4	67001279	Tray, Dairy
5	67004748	Bin, Shelf (3) (Medium)
6		Mullion, Door
	67003263	White
	67003264	Black
	W10199882	Apollo Grey
7	67006786	Screw
8		Gasket, Door (2)
	W10163894	White
	12723206B	Black
	W10179332	Apollo Grey
9		Handle, Door
	67006114	White
	67006115	Black
	W10191144	Antique Pewter
	W10136871	Stainless
10	67006287	Screw
11		Stop, Door
	12968202W	White
	67007011	Black
	W10191119	Apollo Grey
12	67006439	Nameplate
13	67006113	Mount, Handle
14	67002935	Screw
15		Closure, Door
	67003638	White
	67003639	Black
	W10191100	Apollo Grey
16	67004749	Bin, Shelf (2) (Gallon)

FOR ORDERING INFORMATION REFER TO PARTS PRICE LIST

UNIT PARTS

For Models: MFD2562VEA10, MFD2562VEB10, MFD2562VEM10, MFD2562VEW10
(Monochromatic Satina) (Black) (Monochromatic Stainless) (White)

The model(s) number shown may be different than what is printed on the model/serial tag of your product. The number(s) shown combine the model number and the first two digits of the serial number from the product tag.



FOR ORDERING INFORMATION REFER TO PARTS PRICE LIST

UNIT PARTS

For Models: MFD2562VEA10, MFD2562VEB10, MFD2562VEM10, MFD2562VEW10
(Monochromatic Satina) (Black) (Monochromatic Stainless) (White)

The model(s) number shown may be different than what is printed on the model/serial tag of your product. The number(s) shown combine the model number and the first two digits of the serial number from the product tag.

Illus. No.	Part No.	DESCRIPTION
1	67006433	Screw
2	W10162928	Blade, Fan
3	67005889	Basepan
4	67006425	Screw (2)
5	67004954	Screw (3)
6	W10134623	Compressor (Includes items 11,12,17,27, & 30)
7	W10171661	Harness, Evap Heater
8	67007175	Pan, Drain
9	61004743	Grommet (3)
10	67002493	Heater, Defrost
11	2264017	Capacitor
12	W10128791	Start Device
13	61003210	Gasket
14	W10165425	Thermostat, Def.
15	67005680	Grommet (2)
16	W10158508	Shroud
17	2255199	Clip, Capacitor
18	67006131	Condenser
19	W10134293	Tube, Discharge
20	67002490	Tray, Drip
21	10623002	Clip, Evaporator

Illus. No.	Part No.	DESCRIPTION
22	12002041	Evaporator Kit (Inc. Evap., Heat Shield, & Instr. Sheet)
23		Dam
	67001084	Right Side
	67001083	Left Side
24	67004432	Motor, Fan
25	10428101	Clip, Heater
26	13060202	Harness, MC
27	2317845	Drier
28	10547003	Clip, Drier
29	67004953	Bracket, Fan Motor
30	W10169124	Grommet (4)
31	67006432	Screw (3)
32	67006573	Screw (4)
33	67005421	Cover, HV Box
34	W10205114	Board, HV Control (Inc. Inst. Sheet)
35	67005719	Spacer, HV Box
36	67005718	Box, HV
37	67006550	Screw (2)
38	12972902	Harness, HV
39	67006615	Screw, Cover
40	67005149	Roller (2)
41	67006434	Axle (2)
42	W10137529	Grommet (4)

Illus. No.	Part No.	DESCRIPTION
43	67005491	Block, Condenser
44	67006737	Screw

Following Parts Not Illustrated
and Optional Parts Not Included

978025	Valve, Access (1/4")
978026	Valve, Access (5/16")
978027	Valve, Access (3/8")
978028	Valve, Access (1/2")
978029	Valve, Access (5/8")
978030	Valve, Access (3/4")
876764	Valve, Access (3/16")

REFRIGERANT CHARGE

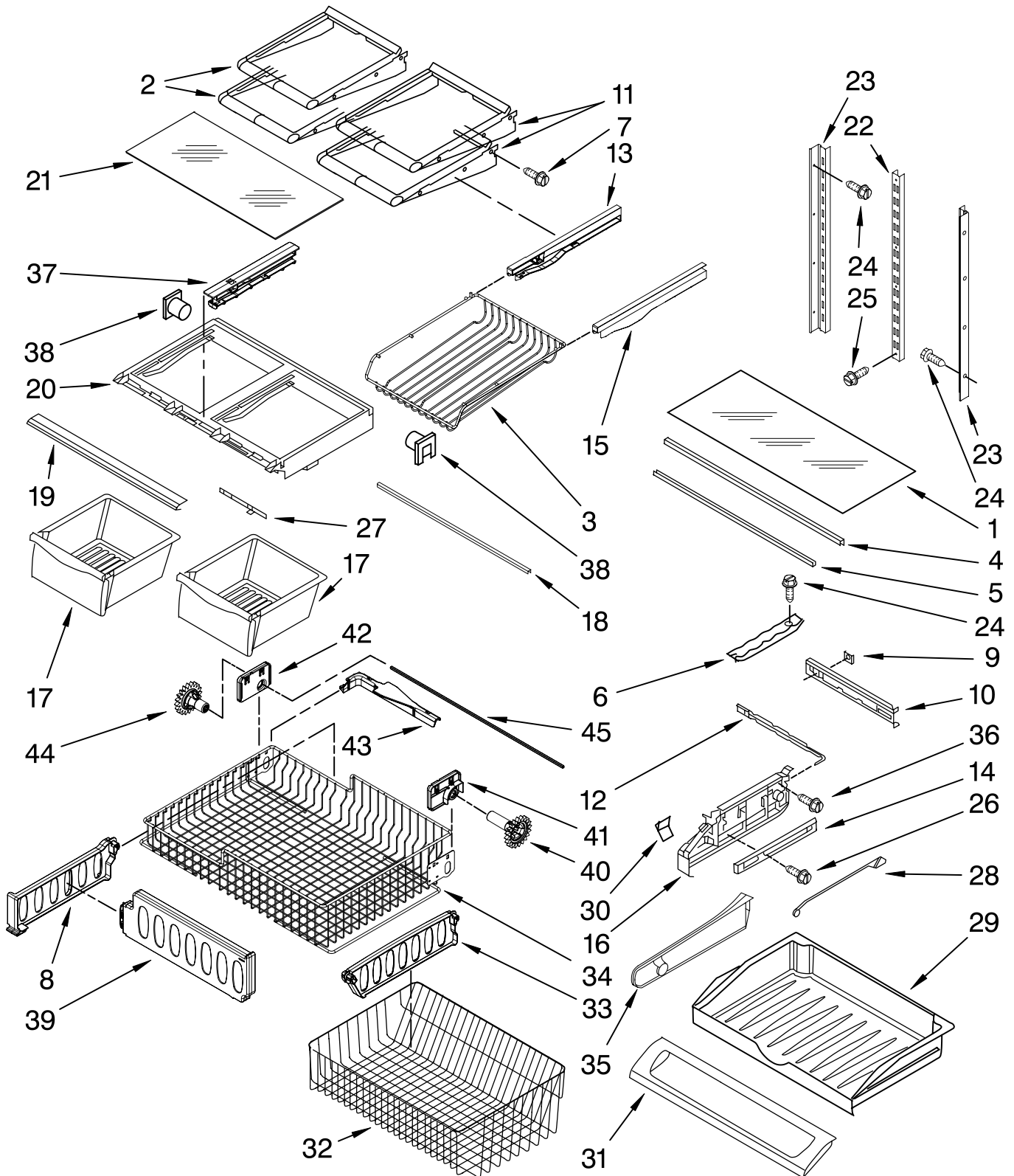
5.25 Ozs.
(R-134A)

FOR ORDERING INFORMATION REFER TO PARTS PRICE LIST

SHELF PARTS

For Models: MFD2562VEA10, MFD2562VEB10, MFD2562VEM10, MFD2562VEW10
(Monochromatic Satina) (Black) (Monochromatic Stainless) (White)

The model(s) number shown may be different than what is printed on the model/serial tag of your product. The number(s) shown combine the model number and the first two digits of the serial number from the product tag.



FOR ORDERING INFORMATION REFER TO PARTS PRICE LIST

SHELF PARTS

For Models: MFD2562VEA10, MFD2562VEB10, MFD2562VEM10, MFD2562VEW10
(Monochromatic Satina) (Black) (Monochromatic Stainless) (White)

The model(s) number shown may be different than what is printed on the model/serial tag of your product. The number(s) shown combine the model number and the first two digits of the serial number from the product tag.

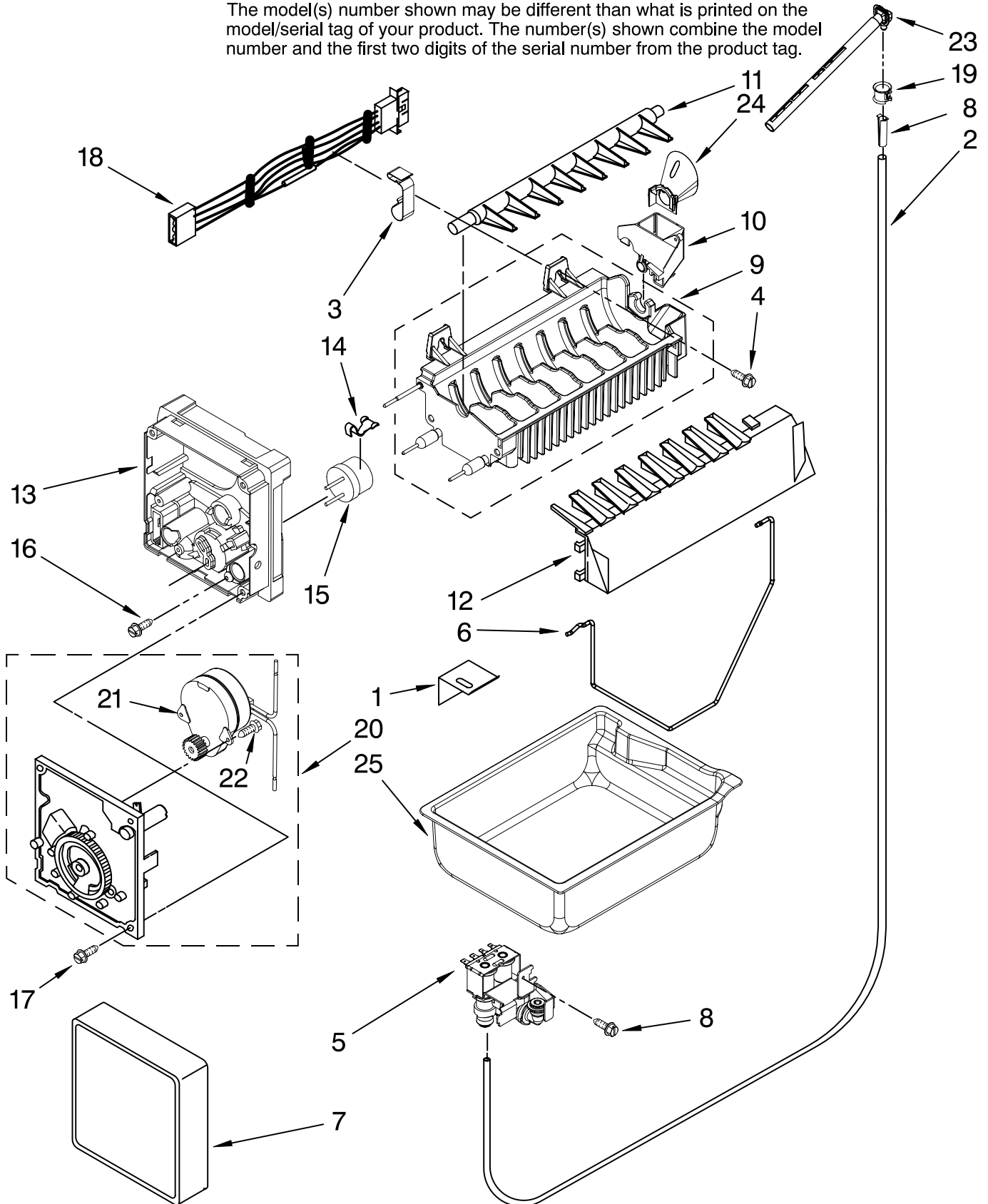
Illus. No.	Part No.	DESCRIPTION	Illus. No.	Part No.	DESCRIPTION	Illus. No.	Part No.	DESCRIPTION
1	67002761	Glass, Pantry	17	67004515	Pan, Crisper (2)	32	W10150039	Basket, Freezer (Lower)
2	W10208663	Shelf, Glide Out	18	67002748	Brace, Crisper	33	W10146440	Divider, Lower Basket
3	67004585	Rack, Can	19	67004510	Trim, Crisper	34	W10169949	Basket, Freezer (Upper)
4	67006010	Extr, Glass Support (2)	20	67003854	Frame, Crisper	35	67002759	Divider, Pantry Drawer
5	67002330	Brace, Pantry (2)	21	67006704	Glass, Crisper Cover	36	67006287	Screw (4)
6	67001719	Track, Pantry	22	67001073	Ladder, Center	37	67004514	Rail, Center Crisper Frame
7	67006626	Screw (4)	23	67002489	Ladder, Side	38	12603701	Supports, Crisper Frame
8	W10171557	Divider, Upper Basket	24	67006400	Screw (6)	39	W10171558	Divider, Upper Freezer
9	67002329	Gasket, Pantry	25	67006360	Screw (2)	40	W10146446	Gear
10	67005625	Housing, Control	26	67006415	Screw (4)	41	W10146442	Mount, RH Gear
11	W10205737	Shelf, Stat (2)	27	67005864	Slide, Humidity Control	42	W10146441	Mount, LH Gear
12	67003793	Slide, Temperature	28	67003795	Rod, Temperature Control	43	W10149389	Lift, Bail Arm
13	67001054	Glide, Left	29	67003531	Drawer, Pantry	44	W10158749	Gear
14	67007026	Glide, Drawer(2)	30	67003791	Knob, Temperature Control	45	W10199044	Shaft
15	67001053	Glide, Right	31	67005903	Door, Pantry Drawer			
16	67005863	Left Endcap, Pantry						
	67005858	Right						

FOR ORDERING INFORMATION REFER TO PARTS PRICE LIST

ICEMAKER PARTS

For Models: MFD2562VEA10, MFD2562VEB10, MFD2562VEM10, MFD2562VEW10
(Monochromatic Satina) (Black) (Monochromatic Stainless) (White)

The model(s) number shown may be different than what is printed on the model/serial tag of your product. The number(s) shown combine the model number and the first two digits of the serial number from the product tag.



FOR ORDERING INFORMATION REFER TO PARTS PRICE LIST

ICEMAKER PARTS

For Models: MFD2562VEA10, MFD2562VEB10, MFD2562VEM10, MFD2562VEW10
(Monochromatic Satina) (Black) (Monochromatic Stainless) (White)

The model(s) number shown may be different than what is printed on the model/serial tag of your product. The number(s) shown combine the model number and the first two digits of the serial number from the product tag.

Illus. No.	Part No.	DESCRIPTION
1	2256086	Bracket, Ice Maker
2	67003729	Tubing, Plastic
3	67003932	Clamp
4	489276	Screw
5	67006531	Valve, Water
6	67004028	Arm, Shutoff
7	67004710	Cover
8	A3223101	Insert, Tube
9	W10122527	Mold & Heater Assembly (Also Order 542638)
10	628515	Cup, Water Fill
11	627843	Ejector
12	2182124	Ice Stripper
13	2194712	Support, Housing
14	2315522	Retainer, Thermostat
15	627985	Thermostat (Order 542369 Cement)
16	8533917	Screw (2)
17	489464	Screw
18	W10146389	Harness, Ice Maker
19	M0114003	Clip, Speed
20	626678	Module Assembly (Includes Items 21 & 22)
21	626684	Motor
22	489136	Screw
23	W10137519	Elbow, Fill Tube
24	67005603	Funnel, Fill Tube
25	W10182748	Pan, Ice
100	W10122519	Icemaker Assembly

Following Parts Not Illustrated

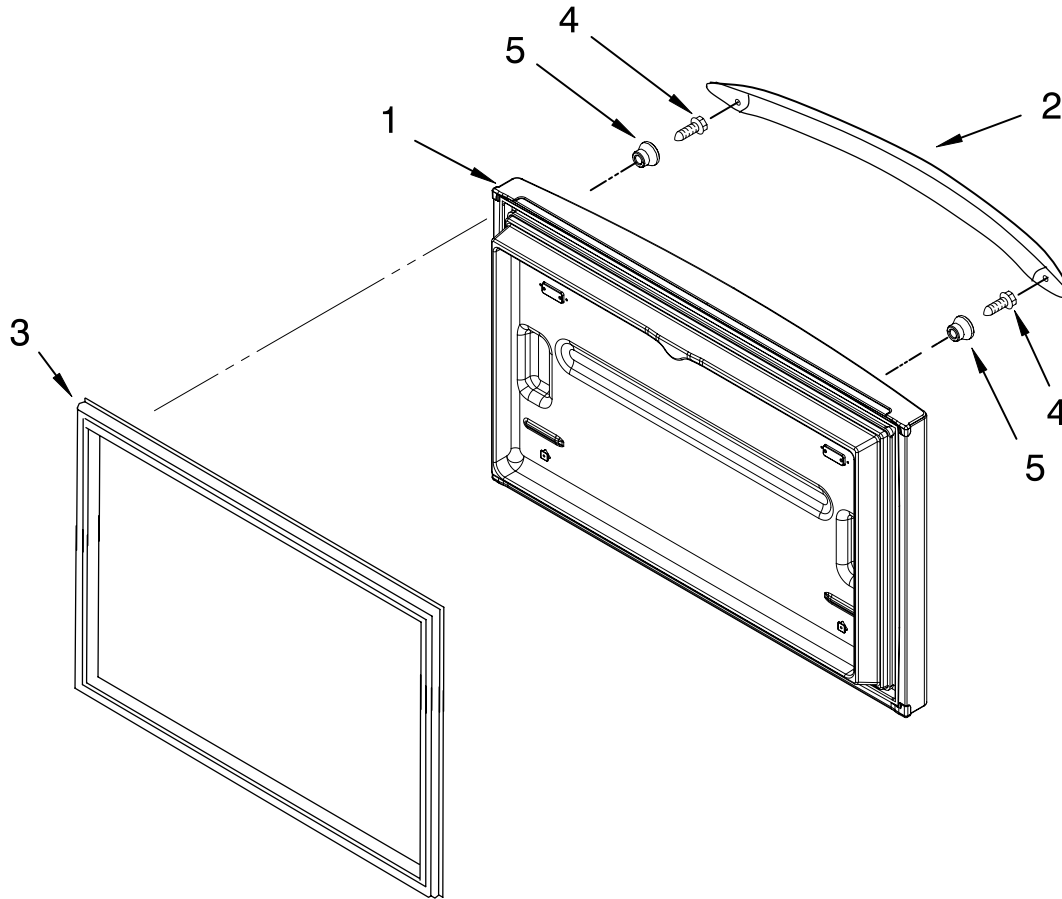
10244904 Coupling

FOR ORDERING INFORMATION REFER TO PARTS PRICE LIST

FREEZER DOOR PARTS

For Models: MFD2562VEA10, MFD2562VEB10, MFD2562VEM10, MFD2562VEW10
 (Monochromatic Satina) (Black) (Monochromatic Stainless) (White)

The model(s) number shown may be different than what is printed on the model/serial tag of your product. The number(s) shown combine the model number and the first two digits of the serial number from the product tag.



Illus. No.	Part No.	DESCRIPTION
1		Freezer Door
	W10199889	White
	W10199891	Black
	W10199885	Stainless
	W10205735	Satina
2		Handle
	67007107	White
	67007105	Black
	W10138763	Stainless
	W10191147	Antique Pewter
3		Gasket, Door
	W10133249	White
	W10131754	Black
	W10199892	Apollo Grey
4	67002935	Screw
	67006113	Mount, Handle

FOR ORDERING INFORMATION REFER TO PARTS PRICE LIST

OPTIONAL PARTS (NOT INCLUDED)

For Models: MFD2562VEA10, MFD2562VEB10, MFD2562VEM10, MFD2562VEW10
(Monochromatic Satina) (Black) (Monochromatic Stainless) (White)

The model(s) number shown may be different than what is printed on the model/serial tag of your product. The number(s) shown combine the model number and the first two digits of the serial number from the product tag.

Illus. No.	Part No.	DESCRIPTION	Illus. No.	Part No.	DESCRIPTION	Illus. No.	Part No.	DESCRIPTION
Parts Not Illustrated and Optional Parts (Not Included)			Miscellaneous			TORX SCREW WRENCH		
Customer Touch-Up Material			212643		Sealer, Gum (4 Feet)		1117510	Torx Key
*350942		Primer, White (13 Oz. Spray Can)	479502		Tape, Vinyl (3/4 x 108")			
*350939		Enamel, Black (13 Oz. Spray Can)	876370		Kit, Insulation (2 Pcs. x 3" x 24" X 48")			
*350930		Enamel, White (13 Oz. Spray Can)	876305		Kit, Insulation (14 Pcs. x 3" x 24" x 48")			
72017		Brush Touch-Up Kit (White)	978941		Insulation, Fiberglass (63-1/2" x 35-1/2" X 2-5/8)			
72032		Brush Touch-up kit (Black)	876029		Kit, Foam Slab (30" x 32-1/2" x 1-1/2")			
*Important: The spray paint is not to be used where the paint may make contact with the door gaskets.			505587		Sealer, Mastic (1 Qt.)			
Refinishing Material			503695		Cork, Sealer (1/4 Pound)			
799340		Enamel, Black (1 Qt. Uncut)	20000008		Cleaner, Stnls Steel Magic			
799344		Enamel, White (1 Qt. Uncut)	542638		Grease, Silicone (1/2 Oz.)			
			542639		Cement, Alumilastic (1-1/4 Oz.)			
			606755		Bag, Insulation (36-5/8" x 46")			
			799833		Kit, Evaporator Repair (Aluminum Epoxy)			
			833938		Kit, Terminal Connector			

FOR ORDERING INFORMATION REFER TO PARTS PRICE LIST

Free Manuals Download Website

<http://myh66.com>

<http://usermanuals.us>

<http://www.somanuals.com>

<http://www.4manuals.cc>

<http://www.manual-lib.com>

<http://www.404manual.com>

<http://www.luxmanual.com>

<http://aubethermostatmanual.com>

Golf course search by state

<http://golfingnear.com>

Email search by domain

<http://emailbydomain.com>

Auto manuals search

<http://auto.somanuals.com>

TV manuals search

<http://tv.somanuals.com>