

## REFERENCE

Amplifier  
Verstärker  
Amplificateurs  
Amplificador  
Amplificatore  
Усилитель

MAXXSONICS USA, INC.  
1290 Ensell Road  
Lake Zurich, Illinois 60047 USA  
E-Mail [info@maxxsonics.com](mailto:info@maxxsonics.com)  
Website [www.maxxsonics.com](http://www.maxxsonics.com)

MAXXSONICS EUROPE GMBH  
Neckarstrasse 20  
74847 Obrigheim, Germany  
Phone +49 (0) 62 61 - 6 38-0  
FAXX +49 (0) 62 61 - 6 38-129  
E-Mail [info@mbquart.de](mailto:info@mbquart.de)  
Website [www.mbquart.de](http://www.mbquart.de)



**Installation & Operation**  
**Einbau und Betrieb**  
**Installation et fonctionnement**  
**Instalación y funcionamiento**  
**Installazione e funzionamento**  
**Установка и эксплуатация**

### Congratulations!

By purchasing an amplifier from MB QUART, you have decided on a product of the highest technical quality. MB QUART wishes you great enjoyment with your amplifier. Should you have any questions about this system or other MB QUART products, please call us personally or send us an e-mail at [info@mbquart.de](mailto:info@mbquart.de)

### Herzlichen Glückwunsch!

Mit dem Kauf eines Verstärkers aus dem Hause MB QUART haben Sie sich für ein Produkt höchster technischer Qualität entschieden. MB QUART wünscht Ihnen viel Vergnügen mit Ihrem Verstärker. Wenn Sie Fragen zu dieser Anlage oder anderen MB QUART-Produkten haben, freuen wir uns über Ihren Anruf oder eine E-Mail an [info@mbquart.de](mailto:info@mbquart.de)

### Félicitations!

Vous venez d'acquérir en achetant un amplificateur de la maison MB QUART un produit de grande valeur sur le plan technique et qualitatif. MB QUART vous souhaite beaucoup de plaisir avec votre amplificateur. Si vous avez des questions concernant cette installation ou sur l'un des autres produits de la maison MB QUART, veuillez nous téléphoner ou nous envoyer un mail à l'adresse [info@mbquart.de](mailto:info@mbquart.de)

### ¡Enhorabuena!

Con la compra de un amplificador MB QUART se ha decidido por un producto de la más alta calidad técnica. MB QUART le desea mucho éxito con su amplificador. En caso que tenga preguntas sobre esta instalación u otros productos de MB QUART llámenos por teléfono o mándenos una noticia por correo electrónico [info@mbquart.de](mailto:info@mbquart.de)

### Congratulazioni!

Acquistando un amplificatore della MB QUART avete scelto un prodotto ai massimi livelli tecnici di qualità. La MB QUART Vi augura grande piacere d'uso del Vostro amplificatore. In caso di domande sul presente sistema o su altri prodotti MB QUART siete pregati di contattarci personalmente o di mandarci un'eMail all'indirizzo [info@mbquart.de](mailto:info@mbquart.de)

### Примите наши сердечные поздравления!

Купив усилитель фирмы MB QUART, вы выбрали превосходное по техническим данным и качеству изделие. Фирма MB QUART желает вам получить огромное удовольствие при использовании вашего усилителя. Если у вас появятся вопросы по этому устройству или другим изделиям фирмы MB QUART, будем рады вашему звонку по телефону или вашему сообщению по электронной почте [info@mbquart.de](mailto:info@mbquart.de)

## Index

<b>WARRANTY</b>	2
<b>GENERAL INSTALLATION NOTES</b>	
System design	3
Installation	3
<b>AMPLIFIER FEATURE DESCRIPTION</b>	
RAB 250 2-Channel Amplifier	4
RAB 450 4-Channel Amplifier	5
RAB 1450 Mono Amplifier	6
<b>AFTER INSTALLATION</b>	
Setting up systems after installation for best performance	7
Troubleshooting a system	7-8
<b>AMPLIFIER APPLICATIONS</b>	
<b>RAB 250 2-Channel Amplifier</b>	
Full range stereo	50
Mono bridged for subwoofer	50
2-way active crossover system	51
<b>RAB 450 4-Channel Amplifier</b>	
4-channel full range stereo	52
2-way active system	52
3-channel full range stereo	53
<b>RAB 1450 Mono Amplifier</b>	
One 4, 2 or 1 ohm subwoofer	54
Two 4 or 2 ohm subwoofer	54
<b>TECHNICAL DATA</b>	55

## Warranty

As the manufacturer of MB QUART car audio products, Maxxsonics USA Inc. and Maxxsonics Europe GmbH warrants to the original consumer purchaser the amplifier to be free from defects in material and workmanship for one (1) year from date of purchase.

This product meets the current EU minimum warranty requirements, if purchased in countries of the EU.

To ensure your warranty policy keep your original receipt proofing the date of purchase.

All other part and accessories of the system are warrantied to be free from defects in material and workmanship for one (1) year from date of purchase. Maxxsonics will repair or replace at it's option and free of charge during the warranty period, any system component that proves defective in materials and workmanship under normal installation, use and service provided that the product is returned to the authorised MB QUART dealer from where it was purchased.

2

A photo copy of the original receipt must accompany the product being returned. In the absence of the above, the warranty is one (1) year from date of manufacture.

Any damage to the product as a result of misuse, abuse, accident, incorrect wiring, improper installation, alteration of date code or bar code labels, revolution, natural disaster, or any sneaky stuff because someone messed up, repair or alteration out side of our factory or authorised service centers and any thing else you have done that you should not have done is not covered.

This warranty is limited to defective parts and specifically excludes any incidental or consequential damages connected therewith. This warranty is not to be construed as an insurance policy.

Warranty on installation labor, removal, re-installation and freight charges are not the responsibility of Maxxsonics USA Inc. or Maxxsonics Europe GmbH.

## System design

The success of any car stereo system relies on several factors, such as the system design, execution of the installation, and system setup. This section is intended to assist the installer by offering several tips and hints about good installation practice. Please remember that any system is only as good as its weakest link.

Determine the system format, e.g., single amplifier, active, front/rear and so on. Then choose the amplifier power points according to personal taste. Please remember that higher power systems are not necessarily useful purely for high sound pressure levels, but also to establish a headroom capability, to reproduce musical peaks cleanly without distortion. Lower power amplifiers will clip earlier than their more powerful cousins, and cause loudspeaker failure when overdriven, due to the harmonics generated by a clipped signal, thus overheating voice coils.

Choose loudspeaker and amplifier mounting locations. Loudspeaker location is always a matter of compromise between space and sound stage imaging. Amplifiers should be mounted with the fins running vertically for best convection cooling, to minimize overheating.

Purchase the best quality RCA cables you can afford, for reliability and less engine noise interference in the audio system.

## Installation

### General:

Mount the amplifier/s in the chosen location.

Run the wiring so that RCA cables are at least 18" away from power and speaker cables. Keep RCA cables away from electrical devices in the vehicle that can cause electrical noise, such as fuel pumps.

### Power and ground connections:

Use a sufficient gauge power cable, at least #8 per amplifier. In a multi amplifier system, it is advisable to mount a large enough fuse right at the battery, and run a master +12 volt power cable to a fused distribution block near the amplifiers. It is then a simple matter to connect the +12 volt terminal of each amplifier to the distribution block.

Ground each amplifier with as short a ground lead, again at least #8 gauge, directly to the vehicle chassis. Use a ground distribution block, if you wish, but it is extremely important to keep the main ground lead from this distribution block to the chassis as short as possible, not more than 12". The ground connection integrity to the chassis is very important, and the best way to achieve a good, solid electrical and mechanical contact is to use a large round crimp lug, crimped and soldered to the ground cable. The next step is to scrape the paint off the vehicle chassis, slightly larger than the ground lug, at the connection point. Drill a clearance hole in the chassis, the same size as the lug hole, and use a bolt, spring washer and nut to securely fasten the ground lug. Use petroleum jelly to coat the bolt/lug connection, to prevent oxidization with time.

TIP: Use the same approach when installing head units, equalizers or any audio equipment for that matter - run short individual grounds from each piece directly to the vehicle chassis, to minimize ground loops and system noise.

All power, ground and speaker connections should be crimped and soldered for reliability. Make sure that none of the cable insulation can chafe against exposed metal in the vehicle, causing short circuits to the chassis.

### Safe connection sequence:

After all cables are run, connect speaker wires to the speakers and amplifiers, then run and plug in RCA cables. Next, connect all power grounds and remote turn on leads. Now connect all +12 volt cables to the amplifier/s and distribution blocks and fuse holders. Finally, connect the main +12 volt cable to the battery, with the main fuse removed, and we are almost ready to power up the system.

### Power up the system:

The following procedure may seem like overkill, but there is nothing more frustrating than turning on a system for the first time, and it does not work properly immediately.

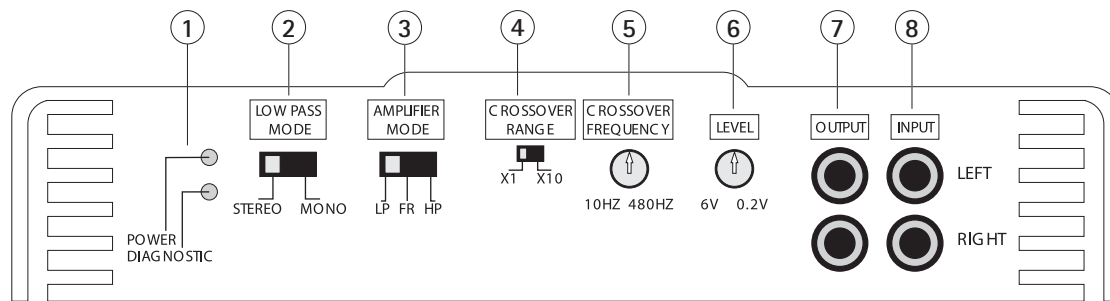
First, make sure the head unit is off, and turn all level controls to minimum (anticlockwise), including the head unit volume control. Set all equalizers to 0 dB (no boost), and all crossover frequency controls at approximate frequencies, as recommended by the loudspeaker manufacturer. Set all input selector and crossover switches as required for the application.

Remove all amplifier fuses, and insert the main fuse at the battery. If the fuse does not blow, you can insert the fuse in one of the amplifiers, and we are ready to turn on the system.

Turn the head unit on, insert a CD, or select a radio station, and increase the head unit volume control. If the system sounds fine, turn off the head unit, and install fuses in the remaining amplifiers, one by one, till the complete system is powered up and functioning properly.

# AMPLIFIER FEATURE DESCRIPTION

## RAB 250 2-Channel Amplifier



### 1 LED INDICATORS

1. POWER: Lights up when power and remote turn on is applied.
2. DIAGNOSTICS: When lit, will indicate a fault condition.

### 2 LOW PASS MODE

1. Selectable in STEREO mode or MONO mode.

### 3 AMPLIFIER MODE

1. Selects the frequency range to be amplified and routed to the loudspeakers.
2. The FR (FULL RANGE) setting passes the full frequency range from the INPUT to the internal amplifiers.
3. HP (HIGHPASS) will send the range of frequencies above the point set by the CROSSOVER FREQ SELECT controls.
4. LP (LOW-PASS) will route those frequencies below the CROSSOVER FREQ SELECT controls to the internal amplifiers.

### 4 CROSSOVER RANGE

1. The CROSSOVER RANGE selector configures the output of the crossover for X1 or X10 frequency multiplier.

### 5 CROSSOVER FREQUENCY

1. The variable pot sets the crossover frequency point for both high and low pass.
2. The CROSSOVER RANGE switch is a multiplier for the variable control, for a total adjustment of 10 Hz to 480 Hz in 2 ranges.

### 6 LEVEL

1. Sets the amplifier input sensitivity to match the output level of the radio/CD player.
2. Note: Check your radio/CD player manual for the correct line level sensitivity and adjust the amplifier level control to match.

### 7 OUTPUT

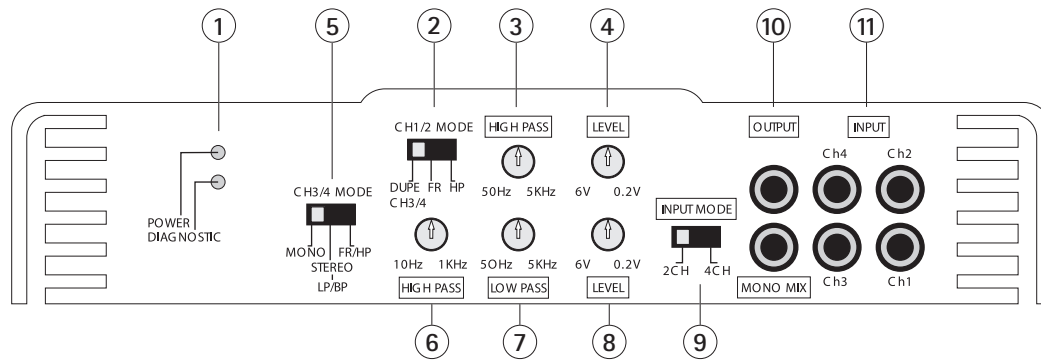
1. This output can drive the input of other amplifiers in a system (daisy chain).

### 8 INPUT

1. LEFT and RIGHT inputs to the amplifier, from the radio/CD line level (RCA) source with a range of 0.6 volts to 6 volts.
2. Use a line converter if the radio/CD player has speaker (high level) outputs only.

**RAB 450 4-Channel Amplifier**

English



**1 LED INDICATORS**

1. POWER: Lights up when power and remote turn-on is applied.
2. DIAGNOSTICS: When lit, will indicate a fault condition.

**2 CH1/2 MODE**

1. DUPE CH3/4 routes signal as selected by the amps 3 & 4 SELECT to the 1 & 2 amplifier pair. Note that in this case, channels 1 & 2 level will be set by the LEVEL CH3/4 control only, for an exact duplication of the 3 & 4 amplifier pair signal.
2. FR (FULL RANGE) passes the full frequency range from CH1/2 INPUT to the internal amplifiers.
3. HP (HIGH PASS) will send the range of frequencies above the point set by the variable HIGH PASS control.

**3 CH1/2 HIGH PASS**

1. Variable HIGH PASS filter from 50 Hz to 5 kHz.
2. This control is bypassed when CH1/2 is in DUPE 3/4 or FR (FULL RANGE) selection.

**4 CH1/2 LEVEL**

1. Sets CH1/2 input sensitivity to match the output level of the radio/CD player.
2. Note that when the amps' CH1/2 select switch is in the DUPE CH3/4 position, the CH1/2 LEVEL control no longer affects CH1/2.

**5 CH3/4 MODE**

1. MONO is selected when bridging channels 3 & 4.
2. LP/BP (LOW PASS/BANDPASS) will route those frequencies above the HIGH PASS setting and below the LOW PASS setting to the internal amplifier. In this mode the HIGH PASS acts as a SUBSONIC filter.
3. FR/HP (FULL RANGE/HIGH PASS) bypasses the LOW PASS setting and the frequencies reproduced are anything to above the HIGH PASS setting.

**6 3&4 HIGH PASS**

1. This high pass filter, variable from 10 Hz to 1 kHz, is permanently connected to the input of the amplifier pair.
2. Since it can vary down to 10Hz, at that point it can be regarded as full range.

3. Having this permanently connected to the 3 & 4 pair, allows us to use it at any time, either as a subsonic, when set from 20Hz to 40Hz or as the lower or high pass cut off frequency control for active bandpass applications, in conjunction with the LOW PASS filter when the CH3/4 MODE switch is in the LOW PASS setting.

**7 LOW PASS**

1. Continuously variable low pass filter, 50 Hz to 5 kHz.
2. Signal routing and mode set by CH3/4 MODE and the LOW PASS setting.

**8 CH3/4 LEVEL**

1. Sets CH3/4 input sensitivity to match the output level of the radio/CD player.
2. Note that when the amps' CH1/2 select switch is in the DUPE CH3/4 position, the CH1/2 LEVEL control no longer affects CH1/2.

**9 INPUT MODE**

1. In the 2CH position, all four channels are provided signal from the CH1/2 RCA Inputs.
2. In the 4CH position, channels 1/2 receive input from CH1/2 RCA inputs, and channels 3/4 receive input from CH3/4 RCA inputs.

**10 OUTPUT**

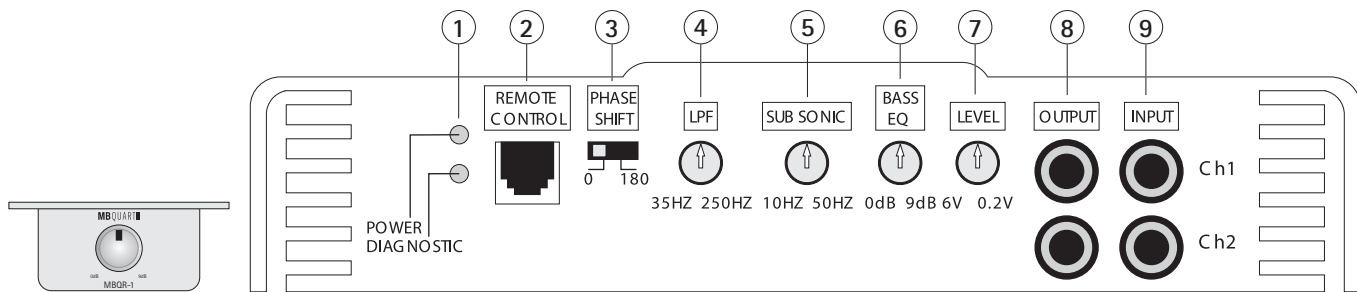
1. This output can drive the input of other amplifiers in a system (daisy chain).
2. In 4CH mode: Set switch 9 to 4CH. All 4 channels are mono mixed and then fed to both line out RCAs. This provides a front/rear mono signal for constant non-faded sub bass to feed a sub amp.
3. In 2CH mode: Set switch 9 to 2CH. Only CH 1&2 are mono mixed and fed to both line out RCAs.

**11 INPUT**

1. CH1-4 inputs to the amplifier, from the radio/CD line level (RCA) source with a range of 0.2 volts to 6 volts.
2. Use a line converter if the radio/CD player has speaker (high level) outputs only
3. Depending on your system layout, follow the input descriptions in section "Amplifier applications" of this manual.

# AMPLIFIER FEATURE DESCRIPTION

## RAB 1450 Mono Amplifier



### 1 LED INDICATORS

1. POWER: Lights up when power and remote turn-on is applied.
2. DIAGNOSTICS: When lit, will indicate a fault condition.

### 2 BASS REMOTE

When the MBQR-1 Bass Remote is plugged in, you can vary the bass boost from 0 dB to 9 dB via the under dash bass remote module.

### 3 PHASE SHIFT

Selectable PHASE of 0 degrees or 180 degree.

### 4 LOW PASS FILTER

1. The variable LPF (LOW PASS FILTER) can be adjusted from 35 Hz to 250 Hz.
2. Frequencies below the chosen setting will be reproduced.

### 5 SUBSONIC

1. The variable SUBSONIC filter can be adjusted from 10 Hz to 50 Hz.
2. Frequencies above the chosen setting will be reproduced.

### 6 BASS EQ

1. The variable BASS EQ is a variable boost from 0 dB to 9 dB at fixed 45 Hz.

### 7 LEVEL

1. Sets the amplifier input sensitivity to match the output level of the radio/CD player.
2. Note: Check your radio/CD player manual for the correct line level sensitivity and adjust the amplifier level control to match.

### 8 OUTPUT

1. This output can drive the input of other amplifiers in a system (daisy chain).

### 9 INPUT

1. LEFT and RIGHT inputs to the amplifier, from the radio/CD line level (RCA) source with a range of 0.2 volts to 6 volts.
2. Use a line converter if the radio/CD player has speaker (high level) outputs only.

## Setting up systems after installation for best performance

### General:

As mentioned in the "General Installation Notes" section, the system should now be powered up, and working. At this point, all crossover frequency and input selection switches should be properly set for the application, and all volume, level and equalizer controls turned to minimum.

### Level control setup:

Insert a CD or cassette that you are familiar with to use as a reference, and turn the head unit volume control to about 80% of its full setting. The system sound level will of course be very low, and the following procedures will help you to match the amplifier input sensitivities properly to the head unit output signal level.

### Single 2 channel amplifier systems (RAB 250):

Turn the level control up slowly, till you hear distortion, then back off a few degrees on the control.

### Single 4 channel amplifier systems (RAB 450):

Turn the channel 1&2 level control up slowly, till you hear distortion, then back off a few degrees on the control.  
Repeat for channel 3&4.

### 2 or 3 way active systems (all):

Always start with the bass, or low frequency amplifier as a reference, by turning its control up to the point where distortion is audible, and back it off some.

Now adjust the level control for the highs or tweeter channels in a 2 way active system, to balance the highs to lows.

In a 3 way active system, match the midrange level to the bass, and then the highs to the midrange and bass. It may be necessary to perform a few iterations of the midrange and highs level control settings to achieve a satisfactory sound balance.

### Crossover frequency fine tuning:

We had started off in the "General Installation Notes" section by setting crossover frequency controls to approximate positions, and now you can adjust these for best sound quality. Be careful not to stray too far from those crossover frequencies as recommended by the loudspeaker manufacturer, as it is quite possible to damage midrange and tweeters with excess power outside their nominal operating frequency ranges.

### Equalizer setup:

Once all levels and crossover frequencies have been set for a pleasant sound balance, we can start equalizing the system frequency response. It is important to remember that a boost applied at any frequency, or range of frequencies, will cause severe amplifier clipping. The following comments apply to ALL equalizers and tone controls on the amplifiers, as well as those on head units and dash mount equalizers.

Use the head unit volume control to adjust the system to an intermediate level, and proceed to adjust equalizers and tone controls to personal taste. Now go back to the Level control setup above, and readjust all level controls.

**Sit back and enjoy the music!**

## Troubleshooting a system

The key to finding the problem in a misbehaving sound system is to isolate parts of that system in a logical fashion to track down the fault.

### Description of the Diagnostic system built into all MB QUART amplifiers:

The diagnostic system will shut down the amplifier, until reset by turning the head unit off, and back on. This state of affairs will be indicated by the front panel DIAGNOSTIC LED lighting up under the following conditions:

- 1 - A short circuit on the loudspeaker leads.
- 2 - An internal amplifier fault that causes a DC offset on the loudspeaker output.

Should the amplifier go into diagnostic mode, simply disconnect all RCA and speaker leads, while keeping +12 volt, power ground and remote leads connected. Now turn the amplifier back on, and if the diagnostic LED lights, the amplifier has an internal fault.

If not, plug the RCA cables back, and reset the amplifier. If it goes into diagnostic now, the fault lies in the input, either with bad cables or source unit. If the amplifier seems fine with RCA cables plugged in, connect the speakers, one at a time, and if one of the speakers or its wiring is faulty, it will activate the diagnostic system.

## AFTER INSTALLATION

### **Amplifier heatsink overheating:**

The amplifiers will shut down when the heatsink temperature reaches 80 degrees centigrade, and turn back on once the unit has cooled down below that point.

### **Causes of overheating:**

- 1 - Inadequate cooling - relocate or remount to provide better natural airflow over the fins.
- 2 - Driving high power levels into low impedances - back off on the volume control, and/or make sure you are not loading the amplifier with less than the recommended loudspeaker impedance.

### **Low output power:**

- 1 - Check that level controls have been set up properly.
- 2 - Make sure that the battery voltage, as measured at the amplifier's +12 volt and ground terminals, is 11 volts or more.
- 3 - Check all +12 volt and ground connections.

### **Fuses blowing:**

- 1 - The use of loudspeaker impedances below the recommended minimums will draw more current - check.
- 2 - A short on the main +12 volt cable from the battery to the vehicle chassis will cause the main fuse to blow.
- 3 - If an amplifier fuse blows continually, with only +12 volt, ground and remote leads connected, the amplifier may be faulty.

### **System does not turn on:**

- 1 - Check all fuses.
- 2 - Check all connections.
- 3 - Measure the +12 volt and remote turn on voltages at the amplifier terminals. If these are non-existent or low, take voltage measurements at fuse holders, distribution blocks, the head unit's +12 volt and remote leads to localize the problem.

**Noise problems:** System noise can be divided into two categories, hiss, and electrical interference.

### **Hiss, or white noise:**

- 1 - High levels of white noise usually occurs when amplifier level controls are turned up too high - readjust according to the procedures in section "Setting up systems after installation for best performance"
- 2 - Another major problem that can cause excessive hiss, is a noisy head unit - unplug the amplifier input RCA cables, and if the hiss level reduces, the source unit is at fault.

### **Electrical interference:**

The inside of an automobile is a very hostile electrical environment. The multitude of electrical systems, such as the ignition system, alternator, fuel pumps, air conditioners, to mention just a few, create radiated electrical fields, as well as noise on the +12 volt supply and ground. Remember to isolate the problem - first unplug amplifier input RCA cables, if the noise is still present, check the speaker leads, if not, plug the RCA's back, and investigate the source driving the amplifier, one component at a time.

### **A ticking or whine that changes with engine RPM:**

- 1 - This problem could be caused by radiation pickup of RCA cables too near to a fuel pump or a distributor, for instance, - relocate cables.
- 2 - Check that the head unit ground is connected straight to the vehicle chassis, and does not use factory wiring for ground.
- 3 - Try to supply the head unit with a clean +12 volt supply directly from the battery +, instead of using a supply from the in dash wiring/fusebox.

### **A constant whine:**

This type of noise can be more difficult to pinpoint, but is usually caused by some kind of instability, causing oscillations in the system.

- 1 - Check all connections, especially for good grounds.
- 2 - Make sure that no speaker leads are shorting to exposed metal on the vehicle chassis.
- 3 - RCA cables are notorious for their problematic nature, so check that these are good, in particular the shield connections.





## Inhaltsverzeichnis

<b>GARANTIE</b>	10
<b>ALLGEMEINE INSTALLATIONSANWEISUNGEN</b>	
Systemauslegung	11
Installation	11
<b>BESCHREIBUNG DER VERSTÄRKERKENNDATEN</b>	
RAB 250 2-Kanal-Verstärker	12
RAB 450 4-Kanal-Verstärker	13/14
RAB 1450 Mono Verstärker	14
<b>NACH DER INSTALLATION</b>	
Einstellen der Anlage nach Installation zum Erzielen der besten Leistung	15
Fehlersuche innerhalb der Anlage	16
<b>VERSTÄRKERANWENDUNGEN</b>	
<b>RAB 250 2-Kanal-Verstärker</b>	
Vollbereichs-Stereo-System	50
Gebrückte Mono-Schaltung für Subwoofer	50
Aktives 2-Wege-Weichensystem	51
<b>RAB 450 4-Kanal-Verstärker</b>	
4-Kanal-Vollbereichs-Stereo-System	52
Aktives 2-Wege-System	52
3-Kanal-Vollbereichs-Stereo-System	53
<b>RAB 1450 Mono Verstärker</b>	
Ein 4, 2 oder 1 Ohm Subwoofer	54
Zwei 4 oder 2 Ohm Subwoofer	54
<b>TECHNISCHE DATEN</b>	55

## Garantie

Als Hersteller von MB QUART Car Audio-Geräten garantieren Maxxsonics USA Inc. und Maxxsonics Europe GmbH dem Erwerber erster Hand, dass der Verstärker hinsichtlich Material und Verarbeitung für die Dauer von einem (1) Jahr nach Kaufdatum mängelfrei funktioniert.

Dieses Produkt erfüllt die aktuellen EU-Mindestgewährleistungsstandards, sofern es in Ländern der Europäischen Gemeinschaft erworben wurde.

Um Ihren Garantieschutz aufrecht zu erhalten, bewahren Sie bitte zwecks Nachweis des Kaufdatums Ihren Originalkaufbeleg auf.

Für sämtliche anderen Teile und Anlagenzubehör gilt hinsichtlich Material und Verarbeitung eine mängelfreie Garantiezeit von einem (1) Jahr ab Kaufdatum. Maxxsonics repariert bzw. ersetzt kostenfrei nach eigenem Ermessen jegliche Systemkomponente, bei der während der Garantiezeit an Material bzw. Verarbeitung unter normalen

Installationsbedingungen bei normaler Nutzung und Wartung Mängel auftreten, sofern das Produkt bei dem autorisierten MB QUART-Händler abgegeben wird, bei dem es gekauft wurde. Eine Fotokopie des Originalkaufbelegs ist dem zurückgegebenen Produkt beizulegen. Kann dieser nicht vorgelegt werden, gilt die Garantie für die Dauer von einem (1) Jahr ab Herstellungsdatum.

Jeglicher Schaden an dem Produkt, der auf falsche bzw. unsachgemäße Verwendung, Unfall, falschen Anschluss, ungeeignete Installation, Veränderung des Datierungs-codes bzw. der Strichcodekennzeichnung, Umstürze, Naturkatastrophen oder jegliche zweckfremden Eingriffe, Reparatur oder Abänderung außerhalb unseres Werkes oder autorisierter Service-Zentren, sowie alle anderen Handlungen zurückzuführen ist, die unberechtigter, weil inkompetenter Weise vorgenommen wurden, ist von der Garantie ausgeschlossen.

Diese Garantie ist auf defekte Teile beschränkt und schließt insbesondere alle zufälligen bzw. eventuellen Folgeschäden aus, die damit einhergehen. Diese Garantie gilt nicht als Versicherungspolice.

Maxxsonics USA Inc. bzw. Maxxsonics Europe GmbH haften nicht für Installationsarbeiten, Ausbau, Wiedereinbau und Frachtkosten.

## Systemauslegung

Die gelungene Einrichtung einer jeden Autostereoanlage hängt von mehreren Faktoren ab wie Systemauslegung, Installationsausführung und Systemeinstellung. Dieser Abschnitt soll dem Monteur mit verschiedenen Tipps und Hinweisen zu guten Installationspraktiken Hilfestellung geben. Bitte berücksichtigen Sie, dass jedes System nur so gut sein kann wie sein schwächstes Glied.

Legen Sie das Systemformat wie z.B. Einzelverstärker, Aktivweiche, Front/Heck-Anordnung etc. fest. Dann wählen Sie entsprechend Ihrem persönlichen Geschmack die Verstärkerleistungsdaten. Bitte berücksichtigen Sie, dass Systeme mit höherer Leistung nicht unbedingt nur zur Erzeugung hoher Schalldruckpegel dienen, sondern auch, um

eine größere Leistung im Frequenzspitzenbereich zu erzielen, damit musikalische Spitzen ohne Verzerrung sauber wiedergegeben werden können. Verstärker mit niedrigerer Leistung erreichen eher ihre Begrenzung, als ihre leistungsstärkeren Verwandten und können bei Übersteuerung aufgrund der von einem begrenzten Signal erzeugten Oberschwingungen, die zur Überhitzung der Schwingspulen führen, Lautsprecherfehlfunktionen hervorrufen.

Wählen Sie die Montageposition für Lautsprecher und Verstärker. Die Lautsprecherposition ist stets ein Kompromiss zwischen Raum und Klangstufendarstellung. Verstärker immer mit vertikal verlaufenden Kühlrippen montieren, um die beste Kühlkonvektion zu erzielen und ein Überhitzen zu vermeiden.

Zwecks Zuverlässigkeit und geringerer Interferenzen der Audioanlage mit dem Motorengeräusch besorgen Sie bitte RCA-Kabel bestmöglicher Qualität.

Deutsch

## Installation

### Allgemeines:

Den/die Verstärker in der gewählten Position montieren.

Die Anschlüsse so verlegen, dass die Cinch-Kabel mindestens 50 cm von Netz- und Lautsprecherkabeln entfernt verlaufen und genügend Abstand zu elektrischen Geräten im Fahrzeug haben, die zu elektrischem Rauschen führen können, wie z.B. Benzinpumpen.

### Netz- und Masseanschlüsse:

Verwenden Sie ausreichend dimensionierte Netzkabel, mindestens Kabelquerschnitt 10 mm<sup>2</sup> für den Verstärker. Bei einer Anlage mit Mehrfachverstärker ist es ratsam, gleich an der Batterie eine ausreichend große Sicherung einzubauen und ein +12 Volt-Starkstromkabel zu einem Verteilerblock mit Sicherung in der Nähe der Verstärker zu führen. Dann kann man ganz einfach die +12 V-Endklemmen jedes Verstärkers an den Verteilerblock anschließen.

Jeden Verstärker direkt über das Fahrzeugchassis mit einem möglichst kurzen Masseanschluss erden, auch hier wieder mindestens Kabelgröße 10 mm<sup>2</sup>. Wenn Sie mögen, verwenden Sie hierzu einen Masseverteilerblock, es ist jedoch äußerst wichtig, den Hauptmassenschluss von diesem Verteilerblock zum Chassis so kurz wie möglich zu halten, auf keinen Fall länger als 30 cm. Der Masseanschluss an das Fahrzeugchassis muss vollständig gewährleistet sein und die bestmögliche Art, einen guten, soliden elektrischen und mechanischen Kontakt herzustellen, besteht in der Verwendung eines großen runden Crimp-Kabelschuhs, die an das Massekabel gecrimpt und gelötet ist. Der nächste Schritt besteht darin, an der Anschlussstelle den Lack vom Fahrzeugchassis zu kratzen, wobei die freie Fläche etwas größer als der Massekabelschuh sein muss. Entsprechend der Größe der Kabelschuhöse ein Öffnungsloch in das Chassis bohren und mit einem Schraubenbolzen, Spannscheibe und Mutter den Massekabelschuh sicher befestigen. Die Bolzen-Öse-Verbindung mit Vaseline abdecken, um zukünftigen Rostansatz zu verhindern.

**TIPP:** Gehen Sie bei der Installation der Hauptgeräte, Equalizer bzw. jeglicher anderer Audiogeräte in dieser Hinsicht gleichermaßen vor - wählen Sie den kürzesten Weg für Einzelmasseanschlüsse, um jedes Gerät direkt mit dem Fahrgestell zu verbinden, um Brummschleifen und Systemrauschen zu minimieren.

Alle Netz-, Masse- und Lautsprecheranschlüsse müssen zwecks Zuverlässigkeit gecrimpt und gelötet sein. Stellen Sie sicher, dass Kabelisierungen im Fahrzeug nicht an offenem Metall durchscheuern können, was zu Kurzschlussbildung mit dem Chassis führen kann.

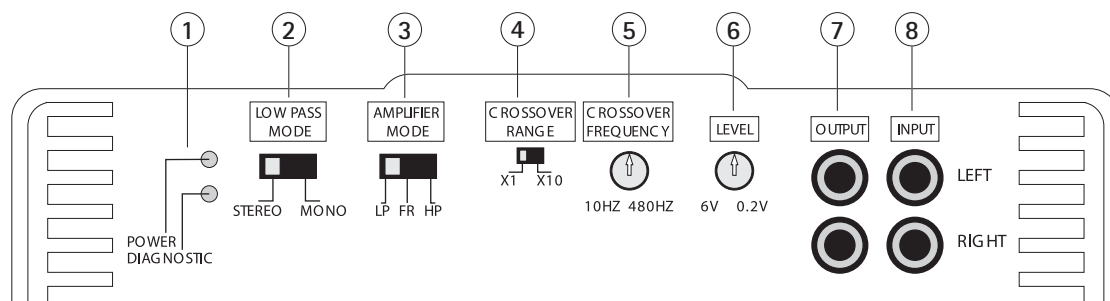
### Sichere Anschlussabfolge:

Nachdem sämtliche Kabel verlegt sind, die Lautsprecherdrähte an die Lautsprecher und Verstärker anschließen, dann die Cinch-Kabel verlegen und diese einstecken. Anschließend alle Starkstrommassekabel und Anschlüsse für die Fernbedienung verlegen. Nun alle +12 Volt-Kabel an den/die Verstärker und Verteilerblöcke sowie Sicherungsfassungen anschließen. Zum Schluss noch bei herausgezogener Hauptsicherung das +12 Volt-Hauptkabel an die Batterie anschließen, und damit wir sind fast schon bereit, um die Anlage in Betrieb zu nehmen.

### Inbetriebnahme der Anlage:

Das nachfolgende Verfahren scheint zuviel des Guten zu sein, aber es gibt nichts Frustrierenderes, als zum ersten Mal eine Anlage einzuschalten und dann funktioniert sie gleich nicht ordnungsgemäß. Zuerst sicherstellen, dass das Hauptgerät ausgeschaltet ist, dann alle Stufenregler auf die kleinste Einstellung drehen (gegen den Uhrzeigersinn), einschließlich des Lautstärkereglers am Hauptgerät. Alle Equalizer auf 0 dB stellen (keine Verstärkung), und alle Übergangsfrequenzregler entsprechend den Empfehlungen des Lautsprecherherstellers auf Näherungsfrequenzen einstellen. Alle Eingangswahl- und Frequenzweichenschalter entsprechend den Systemanforderungen einstellen. Alle Verstärkersicherungen entfernen und die Hauptsicherung an der Batterie einsetzen. Wenn die Sicherung nicht durchbrennt, können Sie die Sicherung in einen der Verstärker einsetzen und die Anlage ist zum Einschalten bereit. Schalten Sie das Hauptgerät ein, legen Sie eine CD ein oder wählen Sie einen Radiosender und drehen Sie den Lautstärkereglern am Hauptgerät höher. Wenn die Anlage gut klingt, schalten Sie das Hauptgerät aus und setzen Sie die Sicherungen eine nach der anderen in die restlichen Verstärker ein, bis die ganze Anlage in Betrieb ist und ordnungsgemäß funktioniert.

## RAB 250 2-Kanal-Verstärker



### 1 LED-Anzeigen

1. POWER: Leuchtet auf, wenn Strom anliegt und das Gerät über die Einschaltsteuerung eingeschaltet wird.
2. DIAGNOSTICS: Die Diagnose-LED-Anzeige leuchtet auf, sobald ein Fehlerzustand eintritt.

### 2 LOW PASS MODE (Tiefpass-Modus)

Wählbar im Stereo- oder Mono-Betrieb.

### 3 AMPLIFIER MODE (Verstärker-Modus)

1. Wählt den Frequenzbereich, der verstärkt und zu den Lautsprechern geleitet wird.
2. Die Einstellung FR (FULL RANGE/Vollbereich) überträgt den vollen Frequenzbereich vom Eingang (INPUT) zu den internen Verstärkern.
3. HP (HIGH PASS/Hochpass) lässt den Frequenzbereich durch, der oberhalb der Trennfrequenz liegt, die mittels Übergangsfrequenzregler (CROSSOVER FREQ SELECT) festgelegt wurde.
4. LP (LOW PASS/Tiefpass) leitet den Frequenzbereich an die internen Verstärker weiter, die unterhalb der eingestellten Trennfrequenz liegen.

### 4 CROSSOVER RANGE (Bereich der Frequenzweiche)

Der CROSSOVER RANGE-Schalter konfiguriert den Bereich des Frequenzweichen-Ausgangs entweder für den abgebildeten Wert (x1) oder multipliziert diesen 10-fach (x10).

### 5 CROSSOVER FREQUENCY (Übergangsfrequenz)

1. Über den regelbaren Widerstand wird der Übergangsfrequenzpunkt sowohl für den Tief-, als auch den Hochpass eingestellt.
2. Der Bereichswahlschalter (CROSSOVER RANGE) stellt einen Vervielfacher für den einstellbaren Regler dar, und zwar für eine Gesamtstimmung von 10 Hz bis 480 Hz, aufgeteilt in zwei Bereiche.

### 6 LEVEL (Signalpegel)

1. Stimmt die Verstärkereingangsempfindlichkeit auf den Ausgangspegel des Radiogerätes/CD-Players ab.
2. Hinweis: Überprüfen Sie in der Bedienungsanleitung für Ihr Radiogerät/CD-Player die korrekte Pegelempfindlichkeit und stellen Sie den LEVEL-Regler am Verstärker entsprechend ein.

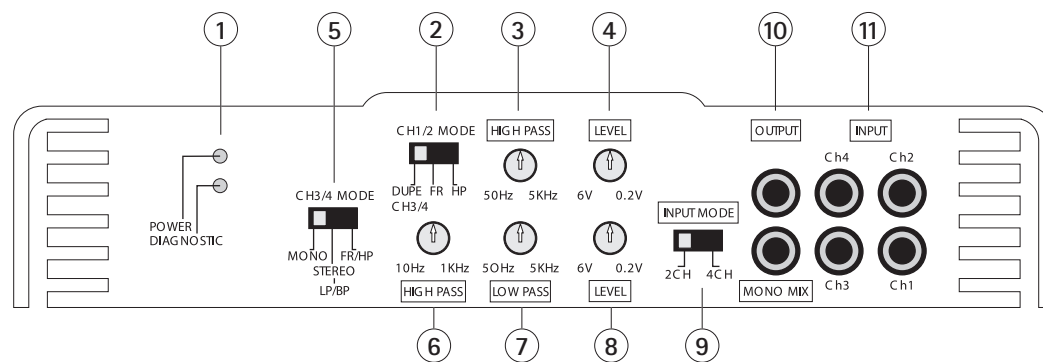
### 7 OUTPUT (Line-Ausgang)

1. Dieser Cinch-Ausgang kann in einer Anlage den Eingang anderer Verstärker ansteuern (Reihung nach dem Daisy-Chain-Verfahren).

### 8 INPUT (Line-Eingang)

1. LEFT (linker) und RIGHT (rechter) Eingang zum Verstärker zum Anschluss der Cinchkabel von Radio-/CD-Player mit einem Bereich von 0,2 V bis 6 V.
2. Verwenden Sie einen High-/ Low Leveladapter, wenn das Radiogerät/CD-Player nur über Lautsprecher-(Hochpegel-) Ausgänge verfügt.

## RAB 450 4-Kanal-Verstärker



### 1 LED-Anzeigen

1. POWER: Leuchtet auf, wenn Strom anliegt und das Gerät über die Einschaltsteuerung eingeschaltet wird.
2. DIAGNOSTICS: Die Diagnose-LED-Anzeige leuchtet auf, sobald ein Fehlerzustand eintritt.

### 2 CH 1/2 MODE (Kanal 1/2-Modus)

1. DUPE CH 3/4 leitet das Musiksignal, wie es in der Reglersektion der Kanäle 3/4 eingestellt wurde, dupliziert an das Verstärkerpaar 1/2. Bitte beachten Sie, dass für diesen Fall der Signalpegel der Kanäle 1 & 2 nur durch den Pegelregler der Kanäle 3/4 geregelt wird, um eine exakte Duplizierung des Musiksignals der Kanäle 3 & 4 zu erzielen.
2. FR (FULL RANGE / Vollbereich) leitet den vollen Frequenzbereich vom Eingang der Kanäle 1 & 2 (CH1/2 INPUT) an die internen Verstärker.
3. HP (HIGH PASS / Hochpass) leitet den Frequenzbereich über der mittels dem Hochpass-Regler (HIGH PASS) eingestellten Frequenz an die internen Verstärker.

### 3 CH 1/2 HIGH PASS (Hochpass)

1. Variabler Hochpass-Filter von 50Hz bis 5KHz.
2. Diese Einstellmöglichkeit wird umgangen, wenn der Schalter CH 1/2 MODE auf die Schalterposition DUPE 3/4 oder auf FR (Full Range/Vollbereich) gestellt wird.

### 4 CH 1/2 LEVEL (Signalpegel)

1. Gleicht die Eingangsempfindlichkeit der Kanäle 1 & 2 an den Signalausgangspegel des Radios / CD-Players an.
2. Bitte beachten Sie, dass, sollte der Schalter CH 1/2 MODE auf DUPE CH 3/4 gestellt sein, der Pegelschalter CH 1/2 LEVEL keine Auswirkung mehr hat.

### 5 CH 3/4 MODE (Kanal 3/4-Modus)

1. Wählen Sie die Schalterstellung MONO, wenn Sie die Kanäle 3 & 4 brücken wollen.
2. LP/BP (Low Pass/Bandpass, Tiefpass/Bandpass) leitet den Frequenzbereich über der mittels dem Hochpass-Regler (HIGH PASS) eingestellten Frequenz und unter der mittels dem Tiefpass-Regler (LOW PASS) eingestellten Frequenz an die internen Verstärker weiter. In diesem Modus stellt der Hochpass einen Subsonic-Filter dar.
3. FR/HP (Full Range/High Pass, Vollbereich/Hochpass) umgeht die Einstellung des Tiefpass und es wird das Frequenzspektrum

oberhalb der über den Hochpass-Regler (HIGH PASS) eingestellten Frequenz wiedergegeben.

### 6 3&4 HIGH PASS (Hochpass)

1. Dieser, von 10Hz bis 1 KHz variabel einstellbare Hochpass-Filter, ist permanent mit dem Kanaleingangspaar 3&4 verbunden.
2. Da sich der Hochpass bis hinunter auf 10 Hz einstellen läßt, kann er auch als Vollbereichswiedergabe betrachtet werden.
3. Da permanent mit den Kanälen 3 & 4 verbunden, kann der Hochpass entweder als Subsonic-Filter verwendet werden, wenn er zwischen 20 und 40 Hz eingestellt ist. Darüber hinaus im Rahmen einer Frequenzwiedergabe nur eines bestimmten Frequenzbandes (Bandpass) in Verbindung mit dem Tiefpass-Filter als tiefe oder hohe Trennfrequenz, wenn der Schalter des Kanal 3/4-Modus (CH 3/4 MODE) auf der mittleren LP/BP-Stellung steht.

### 7 LOW PASS (Tiefpass)

1. Im Bereich von 50 Hz bis 5 kHz stufenlos verstellbarer Tiefpassfilter.
2. Signalleitweg und Modus werden über den Quellenwahlschalter CH3/4 MODE und die Schalter zur Wahl der Tiefpasskonfiguration LOW PASS eingestellt.

### 8 CH 3/4 LEVEL (Signalpegel)

1. Gleicht die Eingangsempfindlichkeit der Kanäle 3 & 4 an den Signalausgangspegel des Radios / CD-Players an.
2. Bitte beachten Sie, dass, sollte der Schalter CH 1/2 MODE auf DUPE CH 3/4 gestellt sein, der Pegelschalter CH 1/2 LEVEL keine Auswirkung mehr hat und der Signalpegel der Kanäle 1 & 2 durch den Regler CH 3/4 LEVEL eingestellt wird.

### 9 INPUT MODE (Eingangs-Modus)

1. In der Position 2CH, erhalten alle vier Verstärkerkanäle das Signal, das über die mit CH 1 und CH 2 markierten Cinch-Eingänge übertragen wird.
2. In der Position 4CH, erhalten die Verstärkerkanäle 1 & 2 das Signal, das über die mit CH 1 und CH 2 markierten Cinch-Eingänge übertragen wird und die Verstärkerkanäle 3 & 4 das Signal, das über die mit CH 3 und CH 4 markierten Cinch-Eingänge übertragen wird.

# BESCHREIBUNG DER VERSTÄRKERKENNDATEN

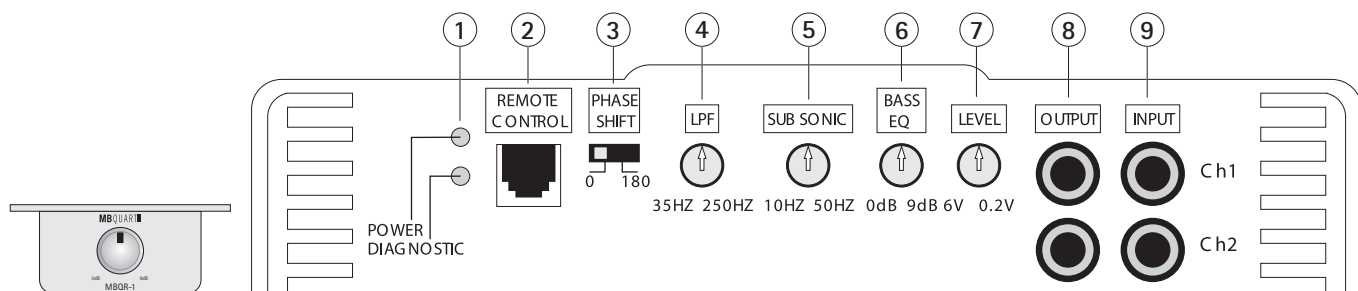
## 10 OUTPUT (Line-Ausgang)

1. Dieser Ausgang kann zur Signalübertragung an einen weiteren Verstärker genutzt werden (Daisy Chaining/Kaskadierung).
2. Im 4-Kanal Modus: Stellen Sie Schalter 9 auf 4CH. Alle 4 Kanäle werden zu einem Mono-Signal gemischt und stellen dieses Signal an beiden Line-Ausgängen zur Verfügung. Damit erzielt man ein Front/Heck Mono-Signal für konstanten, d.h. nicht über den Fader regelbaren Sub-Bass, um einem weiteren Subwoofer-Verstärker ein Signal bereitzustellen.
3. Im 2-Kanal Modus: Stellen Sie Schalter 9 auf 2CH. Hierbei werden nur die Kanäle 1&2 Mono gemischt und an beiden Line-Ausgängen zur Verfügung gestellt.

## 11 INPUT (Line-Eingang)

1. Verstärkereingänge Kanal 1-4 vom Radio/CD-Player über Cinch mit einem Signalpegel von 0,2 bis 6 Volt.
2. Verwenden Sie einen High-/Low Leveladapter, wenn das Radiogerät/CD-Player nur über Lautsprecher-(Hochpegel-)Ausgänge verfügt.
3. Abhängig davon, wie Sie Ihr Anlagenkonzept gestalten, folgen Sie zum korrekten Anschluss des Line-Eingangs bitte den schematischen Zeichnungen, wie im Abschnitt „Amplifier applications“ dieser Bedienungsanleitung beschrieben.

## RAB 1450 Mono Verstärker



## 1 LED-Anzeigen

1. POWER: Leuchtet auf, wenn Strom anliegt und das Gerät über die Einschaltsteuerung eingeschaltet wird.
2. DIAGNOSTICS: Die Diagnose-LED-Anzeige leuchtet auf, sobald ein Fehlerzustand eintritt.

## 2 BASS REMOTE (Bass-Fernsteuerung)

Wenn der MBQR-1 Bass Remote über das enthaltene Steuerkabel an der Buchse REMOTE angeschlossen ist, kann der BASS BOOST (Bassanhebung) von 0 db bis 9 dB über das z.B. unter dem Armaturenbrett montierte Fernsteuerungsmodul eingestellt werden.

## 3 PHASE SHIFT (Phasenschalter)

Phase schaltbar von 0 auf 180°

## 4 LOW PASS FILTER (Tiefpassfilter)

1. Der Tiefpassfilter kann mittels des Drehreglers LPF von 35 bis 250 Hz stufenlos eingestellt werden.
2. Alle Frequenzen unterhalb der eingestellten Trennfrequenz werden wiedergegeben.

## 5 SUBSONIC (Subsonic-Filter)

1. Der Subsonic-Filter kann mittels des Drehreglers SUBSONIC von 10 bis 50 Hz stufenlos eingestellt werden.
2. Alle Frequenzen oberhalb der eingestellten Trennfrequenz werden wiedergegeben.

## 6 BASS EQ (Bass-Anhebung)

1. Mittels des Drehreglers BASS EQ kann der Basspegel bei 45 Hz variabel um 0 bis 9 dB angehoben werden.

## 7 LEVEL (Signalpegel)

1. Gleicht die Eingangsempfindlichkeit des Verstärkers an den Signalausgangspegel des Radios/CD-Players an.
2. Hinweis: Lesen Sie in der Bedienungsanleitung Ihres Radios/CD-Players wie hoch die korrekte Signalpegelstärke ist und passen Sie den Eingangspegel daran an.

## 8 OUTPUT (Line-Ausgang)

1. Dieser Ausgang kann zur Signalübertragung an einen weiteren Verstärker genutzt werden (Daisy Chaining/Kaskadierung)

## 9 INPUT (Line-Eingang)

1. LEFT (linker) und RIGHT (rechter) Eingang am Verstärker zum Anschluss der (Cinch-Kabel des Radiogeräts/CD-Players mit einem Bereich von 0,2 bis 6 V.
2. Verwenden Sie einen High-/Low Leveladapter, wenn das Radiogerät/CD-Player nur über Lautsprecher-(Hochpegel-)Ausgänge verfügt.

## **Einstellen der Anlage nach Installation zum Erzielen der besten Leistung**

### **Allgemeines:**

Wie im Abschnitt „Allgemeine Installationsanleitung“ aufgeführt, müsste nun die Anlage in Betrieb genommen sein und funktionieren. Nun müssten alle Übergangsfrequenz- und Eingangswählschalter ordnungsgemäß auf die Anwendung eingestellt sein und sämtliche Lautstärke-, Stufen- und Equalizerregler auf der kleinsten Einstellung stehen.

### **Einstellen der Stufenregler:**

Legen Sie eine CD oder Kassette ein, die Sie gut kennen, sodass sie als Referenz dienen kann, und stellen Sie den Lautstärkereglern am Hauptgerät auf ungefähr 80% des vollen Regelvolumens ein. Der Schallpegel der Anlage wird natürlich sehr niedrig sein, aber die folgende Vorgehensweise wird Ihnen dabei helfen, die Verstärkereingangsempfindlichkeit sorgfältig auf den Ausgangssignalpegel des Hauptgerätes einzustellen.

### **Einfache 2-Kanal-Verstärkeranlagen (RAB 250):**

Drehen Sie den Pegelregler langsam hoch, bis Sie Verzerrungen hören, dann gehen Sie mit dem Regler ein paar Grade zurück.

### **Einfache 4-Kanal-Verstärkeranlagen (RAB 450):**

Drehen Sie den Pegelregler für Kanal 1&2 langsam hoch, bis Sie Verzerrungen hören, dann gehen Sie mit dem Regler ein paar Grade zurück. Für Kanal 3&4 wiederholen.

### **Aktive 2- oder 3-Wege-Anlagen (alle):**

Immer mit dem Bass bzw. einem Niederfrequenzverstärker als Referenz beginnen, indem Sie deren Regler bis zu dem Punkt aufdrehen, an dem Verzerrungen hörbar werden, dann mit dem Regler etwas zurückgehen.

Nun den Pegelregler für die Höhen- bzw. Hochtönerkanäle in einer aktiven 2-Wege-Anlage einstellen, um die Höhen mit den Bässen auszugleichen.

Bei einem aktiven 3-Wege-System die Mitten auf die Bässe abstimmen und dann die Höhen an den mittleren und den Bassbereich. Es kann notwendig sein, die Einstellung der Mitten- und Höhenregler mehrmals zu wiederholen, um eine zufriedenstellende Klangbalance zu erzielen.

### **Feineinstellung der Übergangsfrequenz:**

Wir hatten im Abschnitt „Allgemeine Installationsanleitung“ mit dem Einstellen der Übergangsfrequenzregler auf ungefähre Positionen begonnen und nun können Sie diese zum Erreichen des besten Klangergebnisses weiter abstimmen. Bitte achten Sie darauf, nicht zu weit von den vom Lautsprecherhersteller empfohlenen Übergangsfrequenzen abzuweichen, da ein Überschreiten der Nennbetriebsfrequenzbereiche durchaus zu Schäden an Mittel- und Hochtöner führen kann.

### **Einstellung des Equalizers:**

Sobald alle Pegel und Übergangsfrequenzen für eine angenehme Klangbalance eingestellt sind, können wir mit der Frequenzwiedergabe-Entzerrung der Anlage beginnen. Bitte beachten Sie unbedingt, dass eine Verstärkung, die auf eine Frequenz oder einen Frequenzbereich angewandt wird, zu einer schweren Übersteuerung des Verstärkers führt. Die folgenden Anmerkungen gelten für ALLE Equalizer und Tonregler an den Verstärkern, sowie auch für Regler an Hauptgeräten und im Armaturenbrett eingebaute Equalizer.

Benutzen Sie den Lautstärkereglern am Hauptgerät, um die Anlage auf eine mittlere Lautstärke einzustellen und gehen Sie dann dazu über, die Equalizer und Tonregler auf Ihren persönlichen Geschmack abzustimmen. Nun gehen Sie zur Einstellung der Pegelregler weiter oben zurück und korrigieren die Einstellung sämtlicher Pegelregler.

**Lehnen Sie sich zurück und genießen Sie die Musik!**

### Fehlersuche innerhalb der Anlage

Um eine Störung einer Soundanlage zu lokalisieren, trennt man die Teile dieser Anlage in logischer Weise voneinander, um den Grund für die Störung ausfindig zu machen.

#### Beschreibung des in alle MB QUART Verstärker eingebauten Diagnosesystems:

Das Diagnosesystem schaltet den Verstärker ab, bis er durch Ausschalten des Hauptgerätes und anschließendes Wiedereinschalten in den Reset-Zustand versetzt wird. Dieser Funktionsstatus wird an der Bedientafel durch Aufleuchten der LED-Anzeige DIAGNOSTIC angezeigt, sofern eine der folgenden Bedingungen erfüllt ist:

- 1 - Ein Kurzschluss an den Lautsprecheranschlusskabeln.
- 2 - Ein interner Verstärkerfehler, der am Lautsprecherausgang eine Gleichstromunterbrechung verursacht.

Wenn der Verstärker in den Diagnosemodus schaltet, einfach alle Cinch- und Lautsprecherkabel trennen, jedoch die +12 Volt-, Masse-, und Fernbedienungskabel angeschlossen lassen. Jetzt den Verstärker wieder einschalten. Wenn nun die Diagnose-LED-Anzeige aufleuchtet, liegt am Verstärker ein interner Fehler vor.

Wenn nicht, stecken Sie die Cinchkabel wieder ein und schalten den Verstärker wieder ein. Wenn er jetzt in den Diagnosemodus schaltet, liegt der Fehler am Eingang, entweder bei defekten Kabeln oder im Quellengerät.

Wenn der Verstärker nach Einstecken der Cinchkabel in Ordnung zu sein scheint, schließen Sie die Lautsprecher bzw. deren Frequenzweichen einen nach dem anderen an. Wenn nun einer der Lautsprecher oder dessen Anschlüsse fehlerhaft sind, wird dies das Diagnosesystem aktivieren.

#### Überhitzung des Verstärkerkühlkörpers:

Die Verstärker schalten ab, wenn die Kühlkörpertemperatur 80° Celsius erreicht, und schalten sich wieder ein, sobald das Gerät unter diesen Grenzwert abgekühlt ist.

Gründe für ein Überhitzen:

- 1 - Ungeeignete Kühlung - den Verstärker an anderer Stelle anbringen bzw. neu montieren, um einen besseren natürlichen Luftstrom über die Kühlrippen zu ermöglichen.
- 2 - Hohe Leistungspegel nicht in niedrige Impedanzen zwingen - den Lautstärkereglern zurücknehmen bzw. sicherstellen, dass Sie den Verstärker nicht mit einer geringeren, als der empfohlenen Lautsprecherimpedanz belegen.

#### Niedrige Ausgangsleistung:

- 1 - Prüfen, ob die Pegelregler ordnungsgemäß eingestellt wurden.
- 2 - Sicherstellen, dass die Batteriespannung bei Messung an den +12 Volt- und Masse terminals des Verstärkers bei mindestens 11 Volt liegt.
- 3 - Sämtliche +12 Volt- und Masseanschlüsse prüfen.

#### Sicherungen brennen durch:

- 1 - Die Verwendung von Lautsprecherimpedanzen unterhalb der empfohlenen Mindestwerte zieht mehr Strom - prüfen.
- 2 - Ein Kurzschluss am +12 Volt-Hauptkabel von der Batterie zum Fahrzeugchassis führt dazu, dass die Hauptsicherung durchbrennt.
- 3 - Wenn ständig eine Verstärkersicherung durchbrennt und nur die +12 Volt-, Masse- und Einschaltsteuerungsleitungen (REM) angeschlossen sind, könnte der Verstärker defekt sein.

#### Anlage lässt sich nicht einschalten:

- 1 - Alle Sicherungen prüfen.
- 2 - Alle Anschlüsse prüfen.
- 3 - An den Spannungsterminals die +12 Volt- und Fernbedienungseinschaltspannung messen. Wenn keine Spannung anliegt oder diese niedrig ist, Spannungsmessungen an den Sicherungsfassungen, Verteilerblöcken, den +12 Volt- und Fernbedienungskabeln des Hauptgeräts durchführen, um das Problem zu lokalisieren.

Geräuschprobleme: Ein Systemrauschen kann in zwei Kategorien unterteilt werden: ein Zischen und elektrische Interferenzen.

#### Zischen bzw. weißes Rauschen:

- 1 - Starkes weißes Rauschen tritt normalerweise auf, wenn die Verstärkerpegelregler (Level) zu hoch eingestellt sind - bitte entsprechend dem Verfahren in Abschnitt „Einstellen der Anlage nach Installation zum Erzielen der besten Leistung“ nochmals einstellen.
- 2 - Eine weitere Ursache, die zu übermäßigem Zischen führen kann, besteht in einem rauschenden Quellengerät - die Verstärkereingang-Cinchkabel lösen. Wenn der Rauschpegel nun abnimmt, liegt am Quellengerät eine Fehlfunktion vor.

#### Elektrische Interferenzen:

Das Innere eines Kraftfahrzeugs stellt für Elektrogeräte prinzipiell eine ungünstige Umgebung dar. Die Vielzahl an elektrischen Anlagen wie Zündung, Lichtmaschine, Benzinpumpen, Klimaanlage, um nur ein paar zu nennen, erzeugt elektromagnetische Felder sowie auch das Rauschen im +12 Volt- und Masseanschluss. Wie immer muss auch hier das Problem eingegrenzt werden - zuerst die Verstärkereingang-Cinchkabel lösen. Wenn das Rauschen dann immer noch hörbar ist, die Lautsprecherkabel prüfen. Wenn nicht, die Cinch-Verstärkerkabel wieder einstecken und das den Verstärker speisende Quellengerät untersuchen, stets eine Komponente nach der anderen.

#### Ein Ticken oder Jaulen, das sich abhängig von der Motorendrehzahl ändert:

- 1 - Dieses Problem könnte auf das Einstrahlen elektromagnetischer Felder in die Cinch-Verstärkerkabel zurückzuführen sein, die z. B. zu nahe an einer Benzinpumpe oder einem Verteiler verlegt sind. - Kabel anders verlegen.
- 2 - Prüfen, ob der Masseanschluss des Hauptgeräts direkt mit dem Fahrzeugchassis verbunden und nicht über das Bordleitungsnetz geerdet ist.
- 3 - Versuchen Sie, das Hauptgerät +12 Voltkabel direkt mit dem Pluspol der Batterie zu verbinden, anstelle es über die Standardverkabelung/den Sicherungskasten im Armaturenbrett anzuschließen.

#### Ständiges Jaulen:

Die Ursache für diese Art von Störgeräusch ist eventuell schwerer zu entdecken, jedoch wird es normalerweise durch irgendeine Form der Instabilität verursacht, die zu Systemschwankungen führt.

- 1 - Alle Anschlüsse prüfen, insbesondere auf sorgfältige Erdung.
- 2 - Sicherstellen, dass keine Lautsprecherkabel über freiliegendes Metall einen Kurzschluss mit dem Fahrzeugchassis bilden.
- 2 - Cinchkabel sind für ihre problematische Natur bekannt, daher prüfen, ob diese in Ordnung sind, insbesondere die Abschirmverbindungen.





## Sommaire

<b>GARANTIE</b>	18
<b>CONSIGNES D'INSTALLATION GÉNÉRALES</b>	
Conception du système	19
Installation	19
<b>DESCRIPTION DES DONNÉES CARACTÉRISTIQUES</b>	
Amplificateur 2 canaux RAB 250	20
Amplificateur 4 canaux RAB 450	21/22
Amplificateur mono RAB 1450	22
<b>APRÈS L'INSTALLATION</b>	
Réglage de l'installation pour obtenir les meilleures performances possibles	23
Recherche de pannes à l'intérieur de l'installation	24-25
<b>APPLICATIONS DE L'AMPLIFICATEUR</b>	
<b>Amplificateur 2 canaux RAB 250</b>	
Système stéréo large bande	50
Couplage mono ponté pour subwoofer	50
Système de filtre actif à 2 voies	51
<b>Amplificateur 4 canaux RAB 450</b>	
Système stéréo large bande 4 canaux	52
Système actif à 2 voies	52
Système stéréo large bande 3 canaux	53
<b>Amplificateur mono RAB 1450</b>	
Un subwoofer 4, 2 ou 1 ohms	54
Deux subwoofers 4 ou 2 ohms	54
<b>CARACTÉRISTIQUES TECHNIQUES</b>	55

## Garantie

En qualité de fabricants d'appareils audio pour automobiles MB QUART, Maxxsonics USA Inc. et Maxxsonics Europe GmbH garantissent à l'acheteur de première main un fonctionnement sans défaut de matériau et de fabrication pour une durée de un (1) an à compter de la date d'achat.

Ce produit est conforme aux normes minimales de garantie actuelles de l'Union Européenne, dans la mesure où il a été acheté dans des pays qui en sont membres.

Afin de pouvoir bénéficier de la protection de la garantie, veuillez conserver la facture originale afin de prouver la date à laquelle vous avez fait votre acquisition.

Une durée de garantie sans vice de un (1) an à compter de la date d'achat est accordée sur l'ensemble des autres pièces et accessoires de l'installation du point de vue du matériel et de la fabrication. Maxxsonics répare voire remplace gratuitement, selon son appréciation, tous les composants du système sur lesquels des défauts de maté-

riau et de fabrication apparaissent pendant la durée de la garantie dans des conditions normales d'installation avec une utilisation et une maintenance correctes, à condition que le produit soit remis au revendeur MB QUART agréé chez lequel il a été acheté. Une photocopie de la facture originale sera jointe au produit rendu. Lorsqu'une facture ne peut pas être présentée, alors la garantie accordée est de un (1) an à partir de la date de fabrication.

La garantie ne porte pas sur les dommages survenus au niveau du produit et provoqués par une utilisation incorrecte ou inadéquate, un accident, un mauvais branchement, une installation inappropriée, une modification du code de datation voire du marquage par code barre, une chute, une catastrophe naturelle ou une intervention non conforme, une réparation ou une modification effectuée en dehors de notre usine ou d'un centre agréé, ainsi que par toute autre action non autorisée parce que réalisée de manière incompétente.

Cette garantie est limitée aux pièces défectueuses et exclut notamment tous les dommages fortuits voire éventuels pouvant les accompagner. Cette garantie ne doit pas être considérée comme une police d'assurance.

Maxxsonics USA Inc. voire Maxxsonics Europe GmbH n'assume aucune responsabilité pour les travaux d'installation, le démontage, le montage et les frais de transport.

## Conception du système

L'installation réussie d'un système stéréo dans un véhicule dépend de plusieurs facteurs tels que la conception du système, la procédure d'installation et le réglage du système. Ce chapitre a pour but de faciliter le travail du monteur en lui révélant quelques astuces et conseils pour une bonne installation. N'oubliez pas toutefois que chaque système ne peut être aussi bon que son maillon le plus faible.

Définissez la configuration de votre système comme par exemple amplificateur individuel, filtre d'aiguillage actif, disposition avant/arrière etc. Choisissez ensuite, en fonction de vos goûts personnels, la puissance de l'amplificateur. N'oubliez pas s'il vous plaît que les systèmes avec une puissance plus élevée ne servent pas obligatoirement et uniquement à générer un niveau de pression acoustique plus impor-

## Installation

### Généralités:

Monter l'amplificateur (les amplificateurs) dans la position souhaitée. Placer les connexions de manière à ce que les câbles RCA passent à 50 cm au moins des cordons secteur et de haut-parleur et que la distance soit suffisante, dans le véhicule, par rapport aux appareils électriques qui peuvent provoquer un grésillement électrique, comme par exemple les pompes à essence.

### Raccordement au secteur et à la terre:

Utilisez des cordons secteur suffisamment dimensionnés, avec une section minimum de 10 mm<sup>2</sup> pour l'amplificateur. Si vous avez une installation avec un amplificateur multiple, il est conseillé d'installer immédiatement sur la batterie un fusible de taille suffisante et de poser un cordon d'alimentation électrique +12 V vers un répartiteur avec un fusible à proximité de l'amplificateur. Il suffit ensuite de brancher la borne de raccordement + 12 V de chaque amplificateur sur le répartiteur. Mettre à la terre chacun des amplificateurs directement en passant par le châssis du véhicule avec une connexion à la masse aussi courte que possible. Utiliser ici aussi un câble avec une section d'au moins 10 mm<sup>2</sup>. Si nécessaire, utilisez pour cela un répartiteur de mise à la terre, mais il est extrêmement important que la mise à la terre principale entre le répartiteur et le châssis soit aussi courte que possible et ne dépassera, en aucun cas, une longueur de 30 cm. La mise à la terre sur le châssis du véhicule doit être intégralement garantie et la meilleure manière de créer un bon et solide contact électrique et mécanique consiste à utiliser une grande cosse terminale sertie et/ou brasée sur le câble de mise à la terre. L'étape suivante consiste à gratter le vernis sur le châssis du véhicule au point de raccordement en veillant à ce que la surface dégagée soit un peu plus grande que la cosse terminale. Percer un trou dans le châssis en fonction de la taille de la cosse de câble à fourche et bien fixer la cosse du câble de mise à la terre au moyen d'un boulon fileté, d'une rondelle de maintien et d'un écrou. Appliquer un produit anticorrosif sur la liaison boulon-cosse afin d'éviter tout dépôt de rouille à l'avenir.

**ASTUCE:** Lors de l'installation des appareils de commande, qu'il s'agisse par exemple d'un tuner CD, d'un égaliseur ou de tout autre appareil audio, procédez de la même manière – choisissez le plus

tant mais aussi à obtenir une plus grande puissance dans la gamme des pics de fréquence pour pouvoir reproduire nettement des pointes musicales sans distorsion. Les amplificateurs de faible puissance se heurtent à leurs limites plus vite que leurs parents plus puissants et peuvent, en cas de surmodulation en raison d'harmoniques générés par un signal limité qui entraînent une surchauffe des bobines mobiles, provoquer des dysfonctionnements du haut-parleur.

Choisissez la position de montage pour le haut-parleur et l'amplificateur. La position du haut-parleur est un compromis permanent entre l'espace et la restitution d'une image stéréo. Monter toujours l'amplificateur en veillant à ce que les ailettes de refroidissement soient à la verticale afin d'obtenir la meilleure convection de refroidissement possible et éviter ainsi toute surchauffe.

Pour une meilleure fiabilité et moins d'interférences de l'installation audio avec le bruit du moteur, veuillez utiliser un câble Cinch d'excellente qualité.

court chemin pour chacune des mises à la terre afin de connecter chaque appareil directement avec le châssis du véhicule en vue de minimiser le ronflement et le grésillement.

Tous les connecteurs 12 V, de mise à la terre et de haut-parleur doivent être sertis et/ou brasés afin de garantir une grande fiabilité. Assurez-vous que les isolations de câble dans le véhicule ne peuvent pas se frotter à du métal non protégé ce qui peut entraîner l'apparition de courts-circuits avec le châssis du véhicule.

### Ordre de branchement fiable:

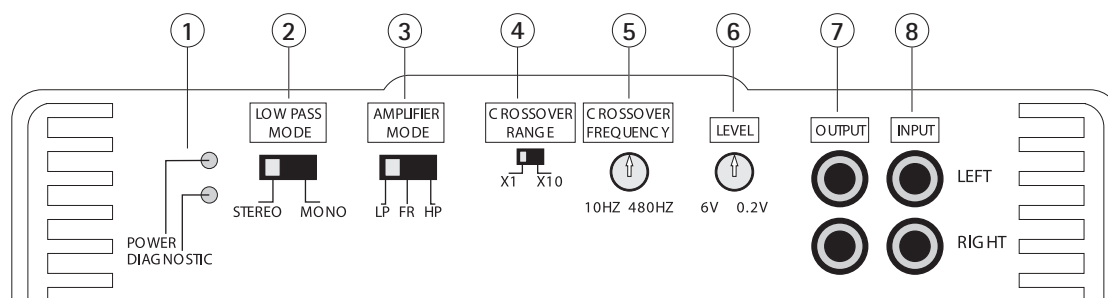
Après avoir posé l'ensemble des câbles, brancher le câble correspondant sur les haut-parleurs voire sur les circuits d'aiguillage et amplificateurs de ces derniers puis poser le câble Cinch et l'enficher. Ceci fait, poser tous les câbles de mise à la terre et les connecteurs pour la ligne de régulation d'enclenchement (REM). Brancher maintenant tous les câbles +12 V sur le haut-parleur (les haut-parleurs) et les répartiteurs ainsi que les porte-fusibles. Pour finir, alors que le fusible principal est retiré, brancher le câble principal +12 V sur la batterie et vous êtes pour ainsi dire prêt pour mettre l'installation en marche.

### Mise en service de l'installation:

La procédure ci-dessous semble exagérée, mais il n'y a rien de plus frustrant que de mettre en marche pour la première fois une installation stéréo et de constater qu'elle ne fonctionne pas immédiatement comme elle devrait. S'assurer d'abord que l'appareil de commande, par exemple le tuner CD, est éteint, puis mettre tous les régulateurs à degrés (niveau) de l'amplificateur sur la position minimum (dans le sens inverse des aiguilles d'une montre), y compris le régulateur de volume sonore sur l'appareil de commande. Régler tous les égaliseurs sur 0 dB (pas d'amplification) puis tous les régulateurs de la fréquence de recouvrement des filtres d'aiguillage actifs conformément aux recommandations du fabricant des haut-parleurs sur des fréquences approximatives si vous souhaitez activer partiellement ou totalement les systèmes de haut-parleurs. Régler l'ensemble des sélecteurs d'entrée et des interrupteurs du filtre d'aiguillage conformément aux exigences du système. Enlever tous les fusibles de l'amplificateur puis placer le fusible principal sur la batterie. Si le fusible ne grille pas, vous pouvez alors monter le fusible dans l'un des amplificateurs et l'installation est opérationnelle. Mettez l'appareil de commande en marche, insérez un CD ou choisissez une chaîne de radio puis montez le son en tournant le bouton du volume sur l'appareil principal. Si le son est bon, éteignez l'appareil principal et placez les fusibles l'un après l'autre dans les amplificateurs restants jusqu'à ce que toute l'installation soit opérationnelle et qu'elle fonctionne correctement.

# DESCRIPTION DES DONNÉES CARAC- TÉRISTIQUES DE L'AMPLIFICATEUR

## Amplificateur 2 canaux RAB 250



### 1. Affichages DEL

1. POWER: S'allume lorsque l'appareil est sous tension et qu'il est mis en marche par la commande d'enclenchement.
2. DIAGNOSTICS: L'affichage DEL de diagnostic s'allume dès qu'une panne se produit.

### 2. LOW PASS MODE (Mode passe-bas)

Sélectionnable dans le mode stéréo ou mono.

### 3. AMPLIFIER MODE (sélecteur source d'amplificateur)

1. Sélectionne la plage de fréquences qui est accentuée et transmise aux haut-parleurs.
2. Le réglage FR (large bande) transmet la plage complète de fréquences de l'entrée (INPUT) aux amplificateurs internes.
3. HP (passe-haut) laisse passer la plage de fréquences qui se trouve au-dessus de la fréquence de coupure déterminée au moyen du régulateur de la fréquence de recouvrement (CROSSOVER FREQ SELECT).
4. LP (passe-bas) transmet la plage de fréquences aux amplificateurs internes qui se trouvent en-dessous de la fréquence de coupure sélectionnée.

### 4. CROSSOVER RANGE (Plage du diviseur de fréquence)

L'interrupteur CROSSOVER RANGE configure la plage de la sortie du diviseur de fréquence soit pour la valeur représentée (x1) soit il la multiplie par 10 (x10).

### 5. CROSSOVER FREQUENCY (régulateur pour sélectionner la fréquence de recouvrement)

1. Le point de la fréquence de recouvrement est réglé aussi bien pour le passe-bas que pour le passe-haut au moyen de la résistance réglable.
2. Le sélecteur de plage (CROSSOVER RANGE) est un multiplicateur pour les régulateurs réglables et ce, pour une harmonisation globale de 10 Hz à 480 Hz, divisée en deux plages.

### 6. LEVEL (niveau)

1. Harmonise la sensibilité d'entrée de l'amplificateur sur le niveau de sortie du poste de radio/lecteur de CD.
2. Attention: Vérifiez dans le mode d'emploi de votre poste de radio/lecteur de CD la bonne sensibilité du niveau et ajustez le régulateur LEVEL sur l'amplificateur en conséquence.

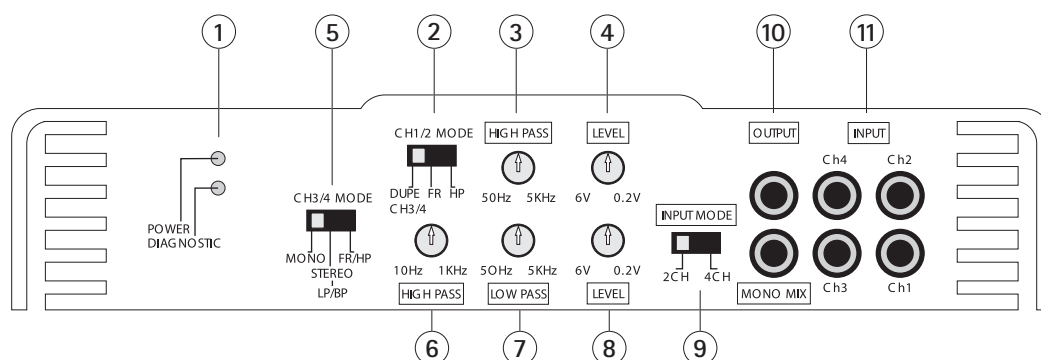
### 7. OUTPUT (Sortie Ligne)

1. Cette sortie Cinch peut piloter l'entrée d'autres amplificateurs dans un système (selon la procédure de Daisy-Chain).

### 8. INPUT (Entrée Ligne)

1. Entrée LEFT (de gauche) et RIGHT (de droite) vers l'amplificateur pour le branchement des câbles Cinch du poste de radio/lecteur de CD avec une plage comprise entre 0,2 V et 6 V.
2. Utilisez un adaptateur de niveau High/Low lorsque le poste de radio/lecteur de CD ne dispose que de sorties (niveau haut) de haut-parleur.

## Amplificateur 4 canaux RAB 450



### 1. Affichages DEL

1. POWER: S'allume lorsque l'appareil est sous tension et qu'il est mis en marche par la commande d'enclenchement.
2. DIAGNOSTICS: L'affichage DEL de diagnostic s'allume dès qu'une panne se produit.

### 2. CH 1/2 MODE (Mode canal 1/2)

1. DUPE CH 3/4 transmet à la paire d'amplificateurs 1/2 le signal musical, comme il a été réglé dans la section du régulateur des canaux 3/4, après l'avoir dupliqué. N'oubliez pas ici que le niveau du signal des canaux 1 & 2 n'est réglé que par le régulateur de niveau des canaux 3/4, afin d'obtenir une duplication exacte du signal musical des canaux 3 & 4.
2. FR (FULL RANGE / Plage entière) transmet aux amplificateurs internes la plage de fréquence entière de l'entrée des canaux 1 & 2 (CH1/2 INPUT).
3. HP (HIGH PASS / Passe-haut) transmet aux amplificateurs internes la plage de fréquence via la fréquence sélectionnée au moyen du régulateur de passe-haut (HIGH PASS).

### 3. CH 1/2 HIGH PASS (Passe-haut)

1. Filtre passe-haut variable de 50Hz à 5KHz.
2. Cette possibilité de réglage est contournée lorsque l'interrupteur CH 1/2 MODE est placé dans la position DUPE 3/4 ou FR (Full Range/Plage entière).

### 4. CH 1/2 LEVEL (Niveau du signal)

1. Equilibre la sensibilité d'entrée des canaux 1 & 2 sur le niveau de sortie du signal de la radio / du lecteur de CD.
2. N'oubliez pas, si l'interrupteur CH 1/2 MODE se trouve sur DUPE CH 3/4, que l'interrupteur de niveau CH 1/2 LEVEL n'a plus aucune influence.

### 5. CH 3/4 MODE (Mode canal 3/4)

1. Sélectionnez la position d'interrupteur MONO si vous voulez shunter les canaux 3 & 4.
2. LP/BP (Low Pass/Bandpass, passe-bas/filtre passe-bande) transmet aux amplificateurs internes la plage de fréquence via la fréquence sélectionnée au moyen du régulateur de passe-haut (HIGH PASS) et sous la fréquence réglée au moyen du régulateur de passe-bas (LOW PASS). Dans ce mode particulier, le passe-haut fait office de filtre subsonique.

3. FR/HP (Full Range/High Pass, Plage entière/Passé-haut) contourne le réglage du passe-bas et le spectre de fréquence au-dessus de la fréquence réglée par le régulateur de passe-haut (HIGH PASS) est transmis.

### 6. 3&4 HIGH PASS (Passe-haut)

1. Ce filtre passe-haut à réglage variable entre 10Hz et 1 KHz, est relié en permanence à la paire d'entrées de canal 3&4.
2. Le passe-haut pouvant être réglé vers le bas jusqu'à 10 Hz minimum, il peut également être considéré comme une transmission de la plage entière.
3. Etant donné qu'il est relié en permanence avec les canaux 3 & 4, le passe-haut peut être utilisé soit comme filtre subsonique, lorsqu'il est réglé entre 20 et 40 Hz, soit, dans le cadre d'une transmission de fréquence d'une seule bande de fréquences déterminée (filtre passe-bande) en liaison avec le filtre passe-bas, comme fréquence de coupure basse ou haute, lorsque l'interrupteur du mode canal 3/4 (CH 3/4 MODE) se trouve dans la position intermédiaire LP/BP.

### 7. LOW PASS

1. Filtre passe-bas réglable en continu dans une plage comprise entre 50 Hz et 5 kHz.
2. La voie d'acheminement du signal et le mode sont réglés via le sélecteur de source CH3/4 MODE et les interrupteurs pour sélectionner la configuration passe-bas LOW PASS .

### 8. CH 3/4 LEVEL (Niveau du signal)

1. Equilibre la sensibilité d'entrée des canaux 3 & 4 sur le niveau de sortie du signal de la radio / du lecteur de CD.
2. N'oubliez pas, si l'interrupteur CH 1/2 MODE se trouve sur DUPE CH 3/4, que l'interrupteur de niveau CH 1/2 LEVEL n'a plus aucune influence et que le niveau du signal des canaux 1 & 2 est réglé par le régulateur CH 3/4 LEVEL.

### 9. INPUT MODE (Mode d'entrée)

1. Dans la position 2CH, tous les quatre canaux d'amplificateur reçoivent le signal qui est transmis via les entrées cinch marquées CH 1 et CH 2.
2. Dans la position 4CH, tous les canaux d'amplificateur 1 & 2 reçoivent le signal qui est transmis via les entrées cinch marquées CH 1 et CH 2 tandis que les canaux d'amplificateur 3 & 4 reçoivent le signal transmis via les entrées cinch marquées CH 3 et CH 4.

# DESCRIPTION DES DONNÉES CARACTÉRISTIQUES DE L'AMPLIFICATEUR

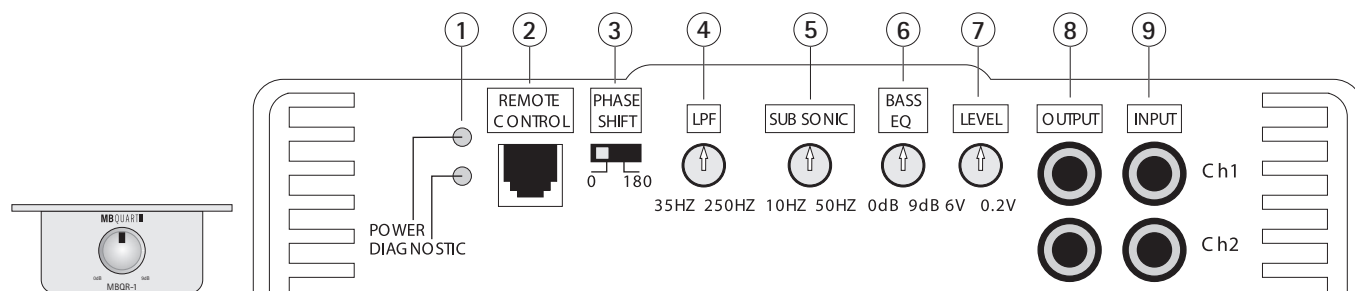
## 10. OUTPUT (Sortie Ligne)

1. Il est possible de monter en cascade un amplificateur supplémentaire et de le commander via la sortie Ligne (Daisy Chain).
2. Dans le mode 4 canaux : placez l'interrupteur 9 dans la position 4CH. Tous les quatre canaux sont mélangés pour former un signal mono et mettent ce signal à la disposition des deux sorties Ligne. On obtient ainsi un signal mono avant/arrière pour un sub-bass constant, c'est-à-dire non réglable via le fader, afin de fournir un signal à un amplificateur de subwoofer supplémentaire.
3. Dans le mode 2 canaux : réglez l'interrupteur 9 sur 2CH. Seuls les canaux 1&2 sont mélangés pour former un signal mis à la disposition aux deux sorties Ligne.

## 11. INPUT (Entrée Ligne)

1. Entrées d'amplificateur canal 1-4 de la radio/du lecteur de CD via cinch avec un niveau de signal compris entre 0,2 et 6 V.
2. Utilisez un adaptateur High-/Low-Level si votre radio/lecteur de CD ne dispose que de sorties haut-parleur (High-Level).
3. Quel que ce soit le concept que vous choisissez pour configurer votre installation, veuillez vous conformer aux dessins schématiques pour brancher correctement l'entrée Ligne ainsi que cela est décrit dans le chapitre «Amplifier applications» du présent mode d'emploi.

## Amplificateur mono RAB 1450



### 1. Affichages DEL

1. POWER: S'allume lorsque l'appareil est sous tension et qu'il est mis en marche par la commande d'enclenchement.
2. DIAGNOSTICS: L'affichage DEL de diagnostic s'allume dès qu'une panne se produit.

### 2. BASS REMOTE

Lorsque le MBQR-1 Bass Remote est branché au moyen du câble de commande fourni sur la douille REMOTE, il est possible de régler le BASS BOOST (accentuation des graves) dans une plage comprise entre 0 dB et 9 dB via le module de télécommande monté par exemple sous le tableau de bord.

### 3. PHASE SHIFT (Interrupteur de phase)

Phase commutable de 0 sur 180°

### 4. LOW PASS FILTER (Filtre passe-bas)

1. Le filtre passe-bas peut être réglé en continu au moyen du bouton rotatif LPF entre 35 et 250 Hz.
2. Toutes les fréquences en-dessous de la fréquence de coupure réglée sont transmises.

### 5. SUBSONIC (Filtre subsonique)

1. Le filtre subsonique peut être réglé en continu au moyen du bouton rotatif entre 10 et 50 Hz.
2. Toutes les fréquences au-dessus de la fréquence de coupure réglée sont transmises.

### 6. BASS EQ (Augmentation des graves)

1. Il est possible d'augmenter le niveau des graves à 45 Hz de manière variable par étapes de 0 à 9 dB au moyen du bouton rotatif BASS EQ.

### 7. LEVEL

1. Equilibre la sensibilité d'entrée de l'amplificateur sur le niveau de sortie du signal de la radio / du lecteur de CD.
2. Remarque : Lisez le mode d'emploi de votre radio / lecteur de CD pour connaître l'intensité correcte du niveau du signal puis adaptez-la au niveau d'entrée.

### 8. OUTPUT (Sortie Ligne)

1. Cette sortie peut être utilisée pour transmettre des signaux à un autre amplificateur (Daisy Chaining / connexion en série).

### 9. INPUT (Entrée Ligne)

1. Entrée LEFT (de gauche) et RIGHT (de droite) sur l'amplificateur pour brancher les câbles Cinch du poste de radio/lecteur de CD avec une plage comprise entre 0,2 et 6 V.
2. Utilisez un adaptateur de niveau High/Low lorsque le poste de radio/lecteur de CD ne dispose que de sorties (niveau haut) de haut-parleur.

## Réglage de l'installation pour obtenir les meilleures performances possibles

### Généralités:

Comme cela est décrit dans le chapitre „Consignes d'installation générales", l'installation devrait avoir été mise en marche et fonctionner. Il faudrait régler maintenant l'ensemble des sélecteurs d'entrée et des interrupteurs de la fréquence de recouvrement sur l'application souhaitée puis mettre tous les régulateurs (volume, niveau et égaliseur) sur la position minimum.

### Réglage du régulateur de niveau:

Insérez un CD ou une cassette que vous connaissez bien de manière à pouvoir l'utiliser comme référence puis réglez le bouton du volume sonore de l'appareil de commande sur environ 80% du volume total. Le niveau sonore de l'installation sera bien sûr très bas, mais la procédure suivante vous aidera à régler soigneusement la sensibilité d'entrée de l'amplificateur sur le niveau des signaux de sortie de l'appareil de commande.

### Amplificateurs 2 canaux simples (RAB 250):

Tourner lentement en avant le régulateur de niveau jusqu'à ce que vous entendiez des distorsions puis le tourner légèrement en arrière.

### Amplificateurs 4 canaux simples (RAB 450):

Tourner lentement en avant le régulateur de niveau pour les canaux 1&2 jusqu'à ce que vous entendiez des distorsions puis le tourner légèrement en arrière.

Répéter cette opération pour les canaux 3&4.

### Installations actives à 2 ou 3 voies (toutes):

Commencer toujours avec un amplificateur de graves ou de basses fréquences en guise de référence et tourner le régulateur de niveau jusqu'à ce que des distorsions soient perceptibles puis le tourner légèrement en arrière.

Régler maintenant le régulateur de niveau pour les canaux de hautes fréquences voire d'aiguës dans une installation active à 2 voies afin d'équilibrer les aiguës avec les graves.

Sur un système à 3 voies, harmoniser les médiums sur les graves puis les aiguës sur les moyennes et les graves. Il peut s'avérer nécessaire de répéter à plusieurs reprises l'ajustage des régulateurs de médiums et d'aiguës afin d'obtenir un équilibre sonore satisfaisant.

### Réglage précis de la fréquence de recouvrement:

Nous avons commencé dans le chapitre „Consignes d'installation générales" avec l'ajustage du régulateur de la fréquence de recouvrement sur des positions approximatives et vous pouvez maintenant les affiner afin d'obtenir la meilleure qualité sonore possible. Veillez s'il vous plaît à ne pas vous écarter trop des fréquences de recouvrement recommandées par le fabricant des haut-parleurs, car un dépassement des gammes de fréquences nominales de fonctionnement peut sans problème entraîner des dommages au niveau des haut-parleurs de moyennes et hautes fréquences.

### Réglage de l'égaliseur:

Dès que l'ensemble des niveaux sonores et des fréquences de recouvrement ont été réglés afin d'obtenir un équilibre sonore agréable, vous pouvez passer à l'égalisation. N'oubliez pas qu'une amplification appliquée à une fréquence ou à une gamme de fréquences peut entraîner une surmodulation nette de l'amplificateur. Les remarques suivantes sont valables pour TOUS les égaliseurs et les régulateurs de volume sonore sur les amplificateurs ainsi également que pour les régulateurs sur les appareils de commande et les égaliseurs encastrés dans le tableau de bord.

Utilisez le bouton du volume sur l'appareil principal pour régler l'installation sur un volume sonore moyen puis ajustez les égaliseurs et les régulateurs de volume en fonction de vos goûts personnels. Retournez ensuite à l'ajustage des régulateurs de niveau ci-dessus et corrigez le réglage de l'ensemble de ces régulateurs.

**Renversez-vous maintenant dans votre fauteuil et profitez de la musique!**

### Recherche de pannes à l'intérieur de l'installation

Pour localiser une panne à l'intérieur de l'installation stéréo, couper les pièces de l'installation de manière logique afin de localiser la raison de la perturbation.

#### Description du système de diagnostic intégré dans tous les amplificateurs MB QUART:

Le système de diagnostic déconnecte l'amplificateur jusqu'à ce qu'il soit placé dans l'état de „reset“ en éteignant puis en remettant en marche l'appareil principal. Cet état de fonctionnement est indiqué sur le panneau de commande par le biais d'un affichage DEL DIAGNOSTIC qui s'allume lorsque l'une des conditions suivantes est satisfaite:

- 1 – Un court-circuit au niveau des câbles de haut-parleur
- 2 – Une panne interne dans l'amplificateur qui provoque une coupure du courant continu à la sortie du haut-parleur.

Lorsque l'amplificateur commute dans le mode diagnostic, débrancher simplement tous les câbles Cinch et des haut-parleurs, mais laisser le câble +12 V, de mise à la terre et de la télécommande branchés. Remettre maintenant l'amplificateur en marche. Lorsque l'affichage DEL de diagnostic s'allume, cela signifie qu'il y a une erreur interne dans l'amplificateur.

Si ce n'est pas le cas, enfichez à nouveau le câble Cinch et remettez l'amplificateur en marche. S'il commute maintenant dans le mode diagnostic, l'erreur se situe à l'entrée, soit au niveau de câbles défectueux soit dans l'appareil source.

Lorsque l'amplificateur semble fonctionner parfaitement après avoir enfiché le câble Cinch, branchez les haut-parleurs voire leurs filtres d'aiguillage l'un après l'autre. Si l'un des haut-parleurs ou l'une de ses connexions est défectueux, le système de diagnostic est alors automatiquement activé.

#### Surchauffe du dissipateur thermique de l'amplificateur:

Les amplificateurs se déconnectent lorsque la température du dissipateur thermique atteint 80°C et se remettent en marche dès que la température de l'appareil est retombée sous ce seuil.

#### Motifs d'une surchauffe:

- 1 – Refroidissement inapproprié – placer l'amplificateur dans un autre endroit voire procéder à un nouveau montage afin de permettre un meilleur écoulement naturel de l'air via les ailettes de refroidissement.
- 2 – Ne pas forcer un niveau de puissance élevé dans des impédances faibles – tournez le régulateur du volume en arrière voire assurez-vous que vous n'affectez pas à l'amplificateur une impédance haut-parleur inférieure à celle recommandée.

#### Puissance de départ faible:

- 1 – Vérifier si le régulateur de niveau a été correctement réglé.
- 2 – S'assurer que la tension de batterie est d'au moins 11 V lors de la mesure sur la borne + 12 V et la borne de mise à la terre de l'amplificateur.
- 3 – Vérifier l'ensemble des connecteurs + 12 V et des mises à la terre.

#### Les fusibles grillent:

- 1 – L'utilisation d'impédances haut-parleur inférieures aux valeurs minimum recommandées demande plus de courant – vérifier.
- 2 – Un court-circuit sur le câble principal + 12 V de la batterie vers le châssis du véhicule fait que le fusible principal grille.
- 3 – Si un fusible de l'amplificateur grille constamment et si seulement des câbles + 12 V, de mise à la terre, et de régulation d'enclenchement (REM) sont branchés, cela peut signifier que l'amplificateur est défectueux.

#### Impossible de mettre l'installation en marche:

- 1 – Vérifier tous les fusibles.
- 2 – Vérifier toutes les connexions.
- 3 – Mesurer aux bornes de tension la tension +12 V et la tension d'enclenchement de la télécommande. S'il n'y a pas de tension ou si celle-ci est trop faible, procéder à des mesures de tension sur les porte-fusibles, les répartiteurs, les câbles + 12 V et de la télécommande de l'appareil principal afin de localiser le problème.

**Problèmes de bruits:** on distingue deux catégories de bruit: un sifflement et des interférences électriques.

#### Sifflement ou bruit blanc:

- 1 – Un fort bruit blanc se produit normalement lorsque le régulateur de niveau de l'amplificateur est réglé sur une position trop élevée – procéder à un nouvel ajustage en suivant la procédure décrite au chapitre „Réglage de l'installation pour obtenir les meilleures performances possibles“.
- 2 – Une autre raison qui peut entraîner un sifflement exagéré peut être un appareil source grésillant – détacher les câbles Cinch de l'entrée de l'amplificateur. Si le niveau de bruit diminue maintenant, cela signifie un dysfonctionnement dans l'appareil source.



**Interférences électriques:**

L'intérieur d'un véhicule constitue fondamentalement un environnement défavorable pour les appareils électriques. Le grand nombre d'installations électriques comme par exemple l'allumage, la dynamo, les pompes à essence et la climatisation pour n'en citer que quelques-unes, génère des champs électromagnétiques tout comme un grésillement dans la connexion + 12 V et la mise à la terre. Comme toujours, il convient de circonscrire ici aussi le problème – commencer par détacher les câbles Cinch de l'entrée de l'amplificateur. Si le grésillement est toujours perceptible, vérifier les câbles de haut-parleur. Dans le cas contraire, enficher à nouveau les câbles Cinch puis examiner l'appareil source qui alimente l'amplificateur, en procédant composant par composant.

**Un tic-tac ou un pleurage qui varie en fonction de la vitesse du moteur:**

- 1 - Ce problème pourrait être dû à l'irradiation de champs électromagnétiques dans les câbles Cinch de l'amplificateur qui, par exemple, sont posés trop près d'une pompe à essence ou d'un distributeur.
- 2 - Vérifier si la connexion de mise à la masse de l'appareil principal est directement reliée au châssis du véhicule et non pas mise à la terre via le réseau de bord.
- 3 - Essayez de relier directement l'appareil principal avec le câble + 12 V directement avec le pôle positif de la batterie au lieu de le brancher via le câblage standard/coffret de fusibles dans le tableau de bord.

**Pleurage constant:**

La raison de ce type de bruit perturbateur peut s'avérer éventuellement plus difficile à découvrir, mais il est normalement provoqué par une certaine forme d'instabilité qui entraîne des fluctuations au niveau du système.

- 1 - Vérifier toutes les connexions, notamment si elles sont correctement mises à la terre.
- 2 - S'assurer qu'aucun câble de haut-parleur ne provoque un court-circuit avec le châssis du véhicule en raison d'un contact avec du métal non protégé.
- 3 - Les câbles Cinch sont connus pour être d'une nature problématique. Vérifier par conséquent s'ils sont en parfait état, notamment les liaisons de blindage.

## Índice

<b>GARANTÍA</b>	26
<b>INSTRUCCIONES GENERALES PARA LA INSTALACIÓN</b>	
Diseño del sistema	27
Instalación	27
<b>DESCRIPCIÓN DE LOS DATOS CARACTERÍSTICOS DEL AMPLIFICADOR</b>	
Amplificador de 2 canales RAB 250	28
Amplificador de 4 canales RAB 450	29/30
Amplificador Mono RAB 1450	30
<b>DESPUÉS DE LA INSTALACIÓN</b>	
Ajuste del equipo después de la instalación para obtener el mejor rendimiento	31
Localización de errores en la instalación	32-33
<b>APLICACIONES DEL AMPLIFICADOR</b>	
<b>Amplificador de 2 canales RAB 250</b>	
Sistema de STEREO de gama completa	50
Conmutación Mono puenteada para altavoz de graves	50
Sistema de diplexor activo de 2 vías	51
<b>Amplificador de 4 canales RAB 450</b>	
Sistema STEREO de gama completa de 4 canales	52
Sistema activo de 2 vías	52
Sistema STEREO de gama completa de 3 canales	53
<b>Amplificador Mono RAB 1450</b>	
Un altavoz de graves de 4, 2 ó 1 ohmios	54
Dos altavoces de graves de 4 ó 2 ohmios	54
<b>DATOS TÉCNICOS</b>	55

## Garantía

Como fabricante de equipos de audio de automóviles MB QUART, Maxxsonics USA Inc. y Maxxsonics Europe GmbH garantizan al adquirente que el amplificador funciona perfectamente en cuanto a material y acabado por el período de un (1) año.

Este producto cumple los estándares de prestación de garantía mínimos actuales de la Unión Europea en caso de que se haya adquirido en países de la Unión Europea.

Para conservar su protección de garantía guarde su comprobante de compra original para tener una comprobación de la fecha de compra.

Para todas las otras piezas y accesorios de la instalación es válido para el material y el acabado un tiempo de garantía sin defectos de un (1) año a partir de la fecha de compra. Maxxsonics repara o sustituye gratuitamente según su propio criterio cualquier componente del sistema en el que se produzcan defectos en el material y el acabado durante el tiempo de garantía bajo condiciones de instalación

normales, y un uso y mantenimiento normales, siempre y cuando el producto se entregue al comerciante autorizado de MB QUART con el que se ha comprado. Adjunte una fotocopia del comprobante de compra original al producto que se entrega. Si no se puede presentar el comprobante de compra la garantía es válida por el período de un (1) a partir de la fecha de fabricación.

Se excluye de la garantía cualquier daño en el producto que se deba a un uso erróneo o inadecuado, accidente, conexión errónea, instalación inadecuada, modificación del código de fecha y de la caracterización del código de barras, volqueo, catástrofes naturales o cualquier intervención, reparación o modificación extraña fuera de nuestra fábrica o centros de servicio autorizados así como cualquier otra acción que se realice sin autorización y sin la competencia necesaria.

Esta garantía se limita a las piezas defectuosas y excluye especialmente todos los daños indirectos casuales o eventuales. Esta garantía no vale como póliza de seguro.

Maxxsonics USA Inc. y/o Maxxsonics Europe GmbH no son responsables de los trabajos de instalación, desmontaje, remontaje y gastos de transporte.

## Diseño del sistema

El ajuste exitoso de cualquier equipo de música de automóviles depende de varios factores como p. ej. el dimensionamiento del sistema, la ejecución de la instalación y el ajuste del sistema. Este punto con diferentes sugerencias e indicaciones debe ayudar al montador a realizar una instalación correcta. Tenga en cuenta que cada sistema sólo puede ser tan bueno como su elemento más débil.

Determine el formato del sistema como p. ej. amplificador individual, combinador activo, disposición delantera / trasera, etc. Seleccione después los datos de potencia del amplificador en correspondencia a su gusto personal. Tenga en cuenta que los sistemas de mayor potencia no necesariamente sirven sólo para generar un mayor nivel de presión acústica sino también para alcanzar una mayor potencia

## Instalación

### Aspectos generales:

Monte el/los amplificador(es) en la posición seleccionada. Tienda las conexiones de forma que los cables RCA estén separados como mínimo 50 cm de los cables de alimentación de red y los cables de altavoz, y tengan suficiente distancia de los equipos eléctricos en el vehículo que puedan producir ruidos eléctricos, como p. ej. bombas de gasolina.

### Alimentación eléctrica y conexión a tierra:

Emplee cables de alimentación de red suficientemente dimensionados, que tengan como mínimo una sección transversal de 10 mm<sup>2</sup> para el amplificador. En el caso de una instalación con amplificadores de múltiple efecto se aconseja montar en la batería un fusible con suficiente capacidad y conducir un cable eléctrico de +12 voltios a un bloque de distribuidor con fusible cerca del amplificador. Después se puede conectar fácilmente el terminal de conexión de +12 voltios de cada amplificador al bloque de distribuidor.

Ponga a tierra cada amplificador directamente a través del chasis del vehículo con una conexión a tierra dentro de lo posible corta, también aquí con una sección transversal de como mínimo 10 mm<sup>2</sup>. Si fuera necesario emplee para esto un bloque de distribuidor a tierra. No obstante es muy importante mantener lo más corta posible la conexión a tierra principal de este bloque de distribuidor al chasis; por ninguna razón más de 30 cm de largo. La conexión a tierra al chasis del vehículo tiene que estar garantizada completamente y la mejor forma posible de establecer un buen contacto eléctrico y mecánico sólido se obtiene empleando un terminal de cable engastado redondo grande que esté engastado o soldado al cable de puesta a tierra. El próximo paso es raspar en el punto de empalme la pintura del chasis del vehículo, teniendo que ser la superficie libre algo mayor que el terminal del cable de puesta a tierra. En correspondencia al tamaño del ojal del cable taladre una abertura en el chasis y fije bien el ojal del cable de puesta a tierra con un tornillo, arandela elástica y tuerca. Aplique anticorrosivo a la unión del ojal y del perno para evitar la deposición de herrumbre en el futuro.

**SUGERENCIA:** Proceda de la misma forma en la instalación de los equipos de mando, como p. ej. sintonizadores de CD, ecualizadores u otros equipos de audio. Seleccione el recorrido más corto para las

en la gama de frecuencias punta, con el fin de poder reproducir sin distorsión las crestas musicales. Los amplificadores de menor potencia alcanzan más rápido sus límites que los amplificadores de mayor potencia y pueden producir funciones erróneas en los altavoces en caso de una sobremodulación, debido a componentes armónicos que se generan por una señal limitada y que conllevan a un sobrecalentamiento de las bobinas oscilatorias.

Seleccione la posición de montaje para los altavoces y amplificadores. La posición de los altavoces siempre es un compromiso entre el espacio y la reproducción de los escalones del sonido. Los amplificadores siempre se han de montar con aletas de refrigeración verticales para alcanzar la mejor convección de refrigeración y evitar un sobrecalentamiento.

Para facilitar la fiabilidad y tener pocas interferencias en la instalación de audio con el ruido del motor conecte un cable cinch de la mejor calidad posible.

conexiones a tierra individuales con el fin de conectar cada equipo directamente con el chasis y minimizar la formación de zumbidos y ruidos en el sistema.

Todas las conexiones de 12 voltios, las conexiones a tierra y las conexiones de altavoz tienen que estar engastadas o soldadas para garantizar la fiabilidad. Asegure que los aislamientos de cables en el vehículo no se puedan desgastar por roce en el metal descubierto, ya que esto puede conllevar a la formación de cortocircuitos con el chasis del vehículo.

### Secuencia de conexión segura:

Después que se hayan tendido todos los cables y enchufado los cables a los altavoces o sus diplexores y amplificadores tienda los cables cinch y enchúfelos. Tienda a continuación todos los cables de puesta a tierra y las conexiones para la línea de mando de conexión (SEM). Conecte ahora todos los cables de +12 voltios al/ a los amplificador(es) y al/a los bloque(s) de distribuidor así como al/a los portafusible(s). Para terminar conecte con el fusible principal sacado el cable principal de +12 voltios a la batería y con esto casi estamos listos para poner en funcionamiento la instalación.

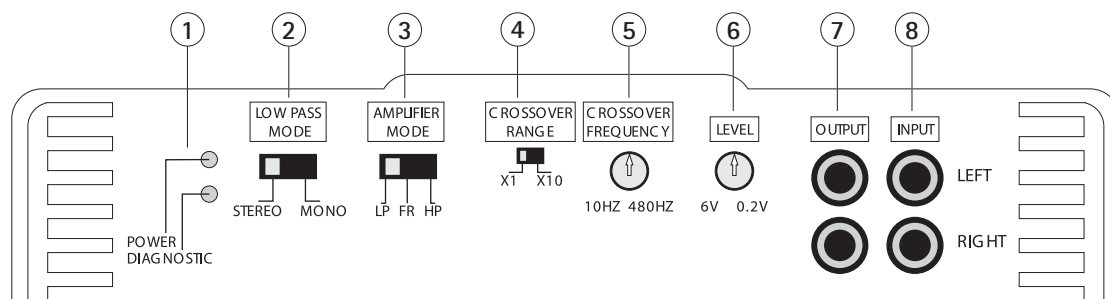
### Puesta en funcionamiento de la instalación:

El procedimiento siguiente parece ser quizás demasiado, pero no hay nada más frustrante que cuando se ponga en funcionamiento una instalación ésta no funcione debidamente.

Asegure primero que el equipo de mando como p. ej. el sintonizador de CD esté desconectado, gire después todos los reguladores de nivel en el amplificador al ajuste más pequeño (contrario al sentido de las agujas del reloj) e inclusive el regulador de volumen en el equipo de mando. Ponga todos los ecualizadores a 0 dB (sin amplificación) y todos los reguladores de frecuencia de transición de los combinadores activos en correspondencia a las recomendaciones del fabricante de altavoces a las frecuencias de aproximación, si se desean controlar los sistemas de altavoces de forma parcial o totalmente activa. Ajuste todos los selectores de entrada y diplexores en correspondencia a los requerimientos del sistema. Quite todos los fusibles del amplificador y coloque el fusible principal en la batería. Si no se funde el fusible puede colocar el fusible en uno de los amplificadores y poner en funcionamiento la instalación. Conecte el equipo de mando, coloque un CD o seleccione una emisora de radio y gire el regulador de volumen en el equipo principal a mayor volumen. Si la instalación suena bien, desconecte el equipo principal y coloque los fusibles sucesivamente en los otros amplificadores hasta que esté en servicio la instalación completa y funcione correctamente.

# DESCRIPCIÓN DE LOS DATOS CARACTERÍSTICOS DEL AMPLIFICADOR

## Amplificador de 2 canales RAB 250



### 1. Lámparas LED

1. **POWER:** Se ilumina cuando se alimenta corriente y se conecta el equipo a través del control de conexión.
2. **DIAGNOSTICS:** La lámpara LED de diagnóstico se ilumina cuando se produce un error.

### 2. LOW PASS MODE (Modo de paso bajo)

Se puede seleccionar en modo estéreo o mono.

### 3. AMPLIFIER MODE (Selector de la fuente de amplificador)

1. Selecciona la gama de frecuencias que se amplifica y se guía a los altavoces.
2. El ajuste FR (gama completa) transmite la gama de frecuencias completa de la entrada (INPUT) a los amplificadores internos.
3. HP (paso alto) permite el paso de la gama de frecuencias que está encima de la frecuencia de separación que se ha fijado mediante el regulador de frecuencia de transición (CROSSOVER FREQ SELECT).
4. LP (paso bajo) guía la gama de frecuencias que está por debajo de la frecuencia de separación ajustada a los amplificadores internos.

### 4. CROSSOVER RANGE (Gama del diplexor)

El conmutador CROSSOVER RANGE configura la gama de la salida del diplexor o para el valor ilustrado (x1) o lo multiplica con 10 (x10).

### 5. CROSSOVER FREQUENCY

(Regulador para seleccionar la frecuencia de transición)

1. A través de la resistencia regulable se ajusta el punto de frecuencia de transición tanto para el paso bajo como para el paso alto.
2. El selector de gama (CROSSOVER RANGE) funciona como multiplicador para el regulador ajustable para una sintonización total de 10 Hz a 480 Hz, separada en dos gamas.

### 6. LEVEL (Nivel)

1. Sintoniza la sensibilidad de entrada del amplificador al nivel de salida del equipo de radio / reproductor de CD.
2. Atención: Consulte en las instrucciones de servicio de su equipo de radio / reproductor de CD la sensibilidad correcta de nivel y ajuste correspondientemente el regulador LEVEL en el amplificador.

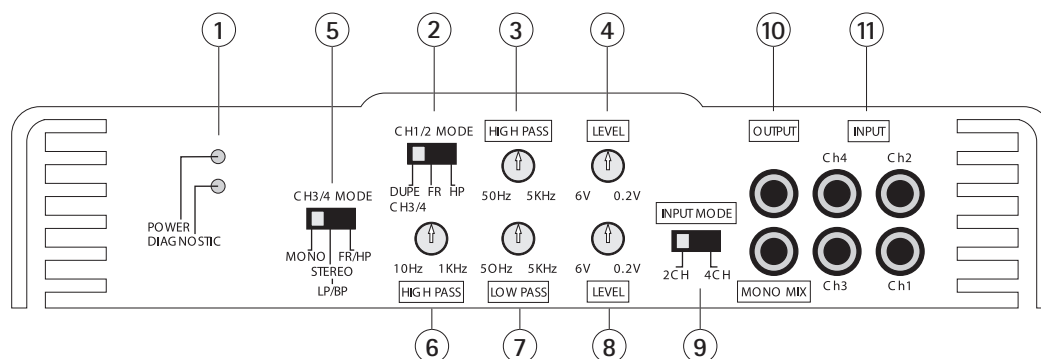
### 7. OUTPUT (salida Line)

1. Esta salida cinch puede activar en una instalación la entrada de otros amplificadores (secuencia según el procedimiento Daisy-Chain).

### 8. INPUT (entrada Line)

1. Entrada LEFT (izquierda) y RIGHT (derecha) al amplificador para conectar los cables cinch del equipo de radio / reproductor de CD con una gama de 0,2 V a 6 V.
2. Emplee un adaptador de nivel alto / bajo si el equipo de radio / el reproductor de CD sólo dispone de salidas de altavoz (de nivel alto).

## Amplificador de 4 canales RAB 450



### 1. Lámparas LED

1. POWER: Se ilumina cuando se alimenta corriente y se conecta el equipo a través del control de conexión.
2. DIAGNOSTICS: La lámpara LED de diagnóstico se ilumina cuando se produce un error.

### 2. CH 1/2 MODE (Modo de canal 1/2)

1. DUPE CH 3/4 transmite la señal de música de acuerdo a su ajuste en la sección de regulador de los canales 3/4 duplicada al par de amplificadores 1/2. Tenga en cuenta que en este caso el nivel de señal de los canales 1 y 2 sólo se regula por el regulador de nivel de los canales 3/4 para lograr una duplicación exacta de la señal de música de los canales 3 y 4.
2. FR (FULL RANGE / gama completa) transmite la gama completa de frecuencia de la entrada de los canales 1 y 2 (CH1/2 INPUT) a los amplificadores internos.
3. HP (HIGH PASS / Paso alto) transmite la gama de frecuencias por encima de la frecuencia ajustada mediante el regulador de paso alto (HIGH PASS) a los amplificadores internos.

### 3. CH 1/2 HIGH PASS (Paso alto)

1. Filtro de paso alto variable de 50Hz a 5KHz.
2. Esta posibilidad de ajuste se omite si se ajusta el conmutador CH 1/2 MODE a la posición DUPE 3/4 ó a FR (Full Range/Gama completa).

### 4. CH 1/2 LEVEL (Nivel de señal)

1. Adapta la sensibilidad de entrada de los canales 1 y 2 al nivel de la señal de salida del radio / reproductor de CD.
2. Tenga en cuenta que el conmutador de nivel CH 1/2 LEVEL ya no tiene ningún efecto si el conmutador CH 1/2 MODE está ajustado a DUPE CH 3/4.

### 5. CH 3/4 MODE (Modo de canal 3/4)

1. Seleccione la posición de conmutador MONO si desea puentear los canales 3 y 4.
2. LP/BP (Low Pass/Bandpass, paso bajo/paso de banda) transmite la gama de frecuencias por encima de la frecuencia ajustada mediante el regulador de paso alto (HIGH PASS) y por debajo de la frecuencia ajustada mediante el regulador de paso bajo (LOW PASS) a los amplificadores internos. En este modo el paso alto funciona como filtro Subsonic.

3. FR/HP (Full Range/High Pass, gama completa/paso alto) omite el ajuste del paso bajo y está reproducido el espectro de frecuencias por encima de la frecuencia ajustada mediante el regulador de paso alto (HIGH PASS).

### 6. 3 y 4 HIGH PASS (Paso alto)

1. Este filtro de paso alto que se puede ajustar de forma variable entre 10Hz y 1 KHz está permanentemente conectado con el par de entrada de canales 3 y 4.
2. Dado que se puede bajar el paso alto a 10 Hz éste también se puede considerar como reproducción de gama completa.
3. Dado que el paso alto se puede conectar con los canales 3 y 4 se puede utilizar como filtro Subsonic si está ajustado entre 20 y 40 Hz. Además se puede utilizar como frecuencia divisora baja o alta en el marco de una reproducción de frecuencias de una determinada banda de frecuencias (paso de banda) en combinación con el filtro de paso bajo, si el conmutador de modo del canal 3/4 (CH 3/4 MODE) está ajustado a la posición media de LP/BP.

### 7. LOW PASS

1. Filtro de paso bajo regulable de forma continua en la gama de 50 Hz a 5 kHz.
2. La ruta de la señal y el modo se ajustan a través del selector de fuente CH3/4 MODE y los selectores de la configuración de paso bajo LOW PASS .

### 8. CH 3/4 LEVEL (Nivel de señal)

1. Adapta la sensibilidad de entrada de los canales 3 y 4 al nivel de la señal de salida del radio / reproductor de CD.
2. Tenga en cuenta que el conmutador de nivel CH 1/2 LEVEL ya no tiene ningún efecto si el conmutador CH 1/2 MODE está ajustado a DUPE CH 3/4, y que el nivel de señal de los canales 1 y 2 se ajusta por el regulador CH 3/4 LEVEL.

### 9. INPUT MODE (Modo de entrada)

1. En la posición 2CH todos los cuatro canales de amplificador reciben la señal que se transmite a través de las entradas Cinch marcadas con CH 1 y CH 2.
2. En la posición 4CH los canales de amplificadores 1 y 2 reciben la señal que se transmite a través de las entradas Cinch marcadas con CH 1 y CH 2 y los canales de amplificador 3 y 4 reciben la señal que se transmite a través de las entradas Cinch marcadas con CH 3 y CH 4.

# DESCRIPCIÓN DE LOS DATOS CARACTERÍSTICOS DEL AMPLIFICADOR

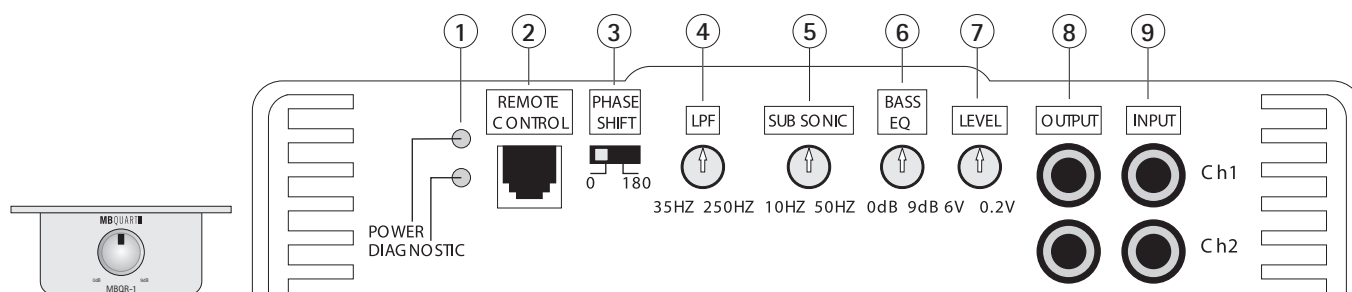
## 10. OUTPUT (salida Line)

1. A través de la salida Line se puede conectar en cascada y controlar otro amplificador (Daisy Chain)
2. En el modo de 4 canales: Ponga el conmutador 9 en 4CH. Todos los 4 canales se mezclan para obtener una señal mono y ponen a disposición esta señal en las dos salidas Line. Con esto se obtiene una señal mono de frente y fondo para un sub-bajo constante, es decir, no regulable a través del Fader con el fin de abastecer una señal a otro altavoz de graves.
3. En el modo de 2 canales: Ponga el conmutador 9 en 2CH. Durante esto se mezclan solamente los canales 1y 2 Mono y se ponen a disposición en las salidas Line.

## 11. INPUT (entrada Line)

1. Entradas de amplificadores canal 1-4 del radio/reproductor CD a través de Cinch con un nivel de señal de 0,2 a 6 voltios.
2. Emplee un adaptador de nivel alto/bajo si su radio/reproductor CD pone a disposición sólo salidas de altavoz (nivel alto).
3. En dependencia de su concepto de equipo siga los dibujos esquemáticos para conectar correctamente la entrada Line, como está descrito en el capítulo „Amplifier applications“ (Aplicaciones de amplificador) contenido en estas instrucciones de servicio.

## Amplificador Mono RAB 1450



### 1. Lámparas LED

1. POWER: Se ilumina cuando se alimenta corriente y se conecta el equipo a través del control de conexión.
2. DIAGNOSTICS: La lámpara LED de diagnóstico se ilumina cuando se produce un error.

### 2. BASS REMOTE (Telemando de bajos)

Si el telemando de bajo MBQR-1 está conectado con el cable de control contenido al conector REMOTE, se puede ajustar la BASS BOOST (extensión de bajos) de 0 db a 9 dB a través del módulo de telemando que se puede montar p. ej. debajo del tablero de control.

### 3. PHASE SHIFT (Conmutador de fases)

Fase conmutable de 0 a 180°

### 4. LOW PASS FILTER (Filtro de paso bajo)

1. El filtro de paso bajo se puede ajustar mediante un reóstato de excitación LPF de forma continua de 35 a 250 Hz.
2. Se reproducen todas las frecuencias por debajo de la frecuencia divisora ajustada.

### 5. SUBSONIC (Filtro Subsonic)

1. El filtro Subsonic se puede ajustar mediante un reóstato de excitación SUBSONIC de forma continua de 10 a 50 Hz.
2. Se reproducen todas las frecuencias por encima de la frecuencia divisora ajustada.

### 6. BASS EQ (Elevación de bajos)

1. Mediante el reóstato de excitación BASS EQ se puede elevar el nivel de bajos a 45 Hz de forma variable en 0 a 9 dB.

### 7. LEVEL

1. Adapta la sensibilidad de entrada del amplificador al nivel de la señal de salida del radio/reproductor de CD.
2. Indicación: Lea el manual de instrucciones de su radio/reproductor CD para saber el nivel de señal correcto y adapte el nivel de entrada a este valor.

### 8. OUTPUT (salida Line)

1. Esta salida se puede utilizar para la transmisión de señales a otro amplificador (Daisy Chaining/cadena de amplificadores).

### 9. INPUT (entrada Line)

1. Entrada LEFT (izquierda) y RIGHT (derecha) en el amplificador para conectar los cables cinch del equipo de radio/reproductor de CD con una gama de 0,2 a 6 V.
2. Emplee un adaptador de nivel alto/bajo si el equipo de radio/ el reproductor de CD sólo dispone de salidas de altavoz (de nivel alto).

## Ajuste del equipo después de la instalación para obtener el mejor rendimiento

### Aspectos generales:

Como se ha mencionado en el punto "Instrucciones de instalación generales" debería ya haberse puesto en servicio y funcionar la instalación. Ahora tienen que estar ajustados correctamente todos los selectores de la frecuencia de transición y de entrada a la aplicación particular y todos los reguladores de volumen, nivel y ecualizador deben tener el ajuste más pequeño.

### Ajuste de los reguladores de nivel:

Coloque un CD o casete que conoce bien para que pueda servir como referencia y ajuste el regulador de volumen en el equipo de mando a aproximadamente 80% del volumen de regulación total. El nivel sonoro del equipo será seguramente muy bajo, pero el modo de proceder siguiente le ayudará a ajustar la sensibilidad de entrada del amplificador minuciosamente al nivel de la señal de salida del equipo de mando.

### Instalaciones de amplificador de 2 canales sencillas (RAB 250):

Aumente lentamente el regulador de nivel hasta que se escuchen distorsiones y baje después un poco el regulador.

### Instalaciones de amplificador de 4 canales sencillas (RAB 450):

Aumente lentamente el regulador de nivel para el canal 1 y 2 hasta que se escuchen distorsiones y baje después un poco el regulador. Repita el procedimiento para el canal 3 y 4.

### Instalaciones de dos o tres direcciones activas (todas):

Comience siempre como referencia con el bajo o un amplificador de baja frecuencia, aumentando su regulador de nivel hasta que se escuchen distorsiones y bajando después un poco el regulador.

Ajuste ahora el regulador de nivel para los canales de agudos o tonos altos en una instalación de dos direcciones para adaptar los agudos con los bajos.

En el caso de un sistema de tres direcciones active sintonice los tonos medios a los bajos y después los agudos a la gama de tonos medios y los bajos. Puede ser necesario que se tenga que repetir varias veces el ajuste del regulador de tonos medios y del regulador de agudos para alcanzar un balance de sonido satisfactorio.

### Ajuste de precisión de la frecuencia de transición:

En el punto "Instrucciones de instalación generales" hemos comenzado con el ajuste de los reguladores de la frecuencia de transición a posiciones aproximadas y ahora se puede continuar con la sintonización de estos reguladores para alcanzar el mejor resultado de sonido. No diverja demasiado de las frecuencias de transición recomendadas por el fabricante de altavoces, ya que un sobrepaso de las gamas de frecuencias de servicio nominales puede dañar los canales de tonos medios y tonos agudos.

### Ajuste del ecualizador:

Tan pronto se hayan ajustado todos los niveles y las frecuencias de transición hasta alcanzar un balance de sonido agradable se puede comenzar con la ecualización. Tenga necesariamente en cuenta que una amplificación que se aplique a una frecuencia o a una gama de frecuencias puede conllevar a una sobremodulación evidente del amplificador. Las siguientes observaciones son válidas para TODOS los ecualizadores y reguladores de tono en los amplificadores así como también para los reguladores en los equipos de mando y en los ecualizadores montados en el tablero de control.

Use el regulador de volumen en el equipo principal para ajustar la instalación a un volumen medio y sintonice después el ecualizador y el regulador de sonido a su gusto personal. Proceda después con el ajuste de los reguladores de nivel arriba descritos y corrija el ajuste de todos los reguladores de nivel.

**¡Recuéstese y disfrute la música!**

### Localización de errores en la instalación

Para localizar un error en la instalación de audio se deben separar las partes de esta instalación en una forma lógica para poder localizar de esta forma la causa del fallo.

#### Descripción del sistema de diagnóstico montado en todos los amplificadores MB QUART:

El sistema de diagnóstico desconecta el amplificador hasta que éste se ponga en el estado de RESET por la desconexión del equipo principal y la reconexión subsiguiente. Este estado de función se indica en el panel de control con la iluminación del indicador LED DIAGNOSTIC, siempre y cuando se cumpla una de las siguientes condiciones:

- 1 – Un cortocircuito en los cables de conexión de los altavoces.
- 2 – Un error de amplificador interno que ocasiona en la salida del altavoz una interrupción de la corriente continua.

Cuando el amplificador conmute al modo de diagnóstico, separe todos los cables cinch y los cables de altavoces pero mantenga conectado los cables de +12 voltios, de puesta a tierra y del mando a distancia. Conecte ahora de nuevo el amplificador. Si se ilumina ahora el indicador de diagnóstico LED hay un error interno en el amplificador.

Si esto no es el caso enchufe de nuevo los cables cinch y conecte de nuevo el amplificador. Si éste conmuta ahora al modo de diagnóstico hay un error en la entrada, o bien por cables defectuosos o en el equipo de fuente.

Si parece que funciona correctamente el amplificador después de enchufar los cables cinch conecte sucesivamente los altavoces o sus diplexores. Si uno de los altavoces o sus conexiones está defectuoso se activa el sistema de diagnóstico.

#### Sobrecalentamiento del cuerpo refrigerador del amplificador:

Los amplificadores se desconectan cuando la temperatura del cuerpo refrigerador alcanza 80° Celsius y se conectan de nuevo tan pronto el equipo se haya enfriado por debajo de este valor límite.

Causas de un sobrecalentamiento:

- 1 – Refrigeración inapropiada: coloque el amplificador en otro lugar o móntelo de nuevo para facilitar una mejor corriente de aire natural a través de las aletas de refrigeración.
- 2 – No fuerce el nivel de potencia alto a impedancias bajas: baje el regulador de volumen y no ocupe el amplificador con una impedancia de altavoz menor a la recomendada.

#### Potencia de salida baja:

- 1 – Compruebe si se ajustaron correctamente los reguladores de nivel.
- 2 – Asegure que la tensión de la batería se encuentre como mínimo a 11 voltios cuando se mida en los terminales de +12 voltios y las conexiones a tierra del amplificador.
- 3 – Compruebe todas las conexiones de +12 voltios y a tierra.

#### Los fusibles se funden por:

- 1 – El empleo de impedancias de altavoz por debajo de los valores mínimos recomendados consume más corriente. Compruebe esto.
- 2 – Un cortocircuito en el cable principal de +12 voltios de la batería al chasis del vehículo conlleva a que se funda el fusible principal.
- 3 – Si se funde permanentemente un fusible del amplificador y sólo están conectadas las líneas de +12 voltios, a tierra y de control de la conexión (SEM) pudiera estar defectuoso el amplificador.

#### La instalación no se puede conectar:

- 1 – Compruebe todos los fusibles.
- 2 – Compruebe todas las conexiones.
- 3 – Mida en los terminales la tensión de +12 voltios y la tensión de conexión del mando a distancia. Si no hay tensión o la tensión es muy baja mida la tensión en los portafusibles, bloques de distribuidor, los cables de +12 voltios y del mando a distancia del equipo principal para localizar el problema.

Problemas de ruidos: Un ruido en el sistema se puede clasificar en dos categorías: un siseo e interferencias eléctricas.

#### Siseo y/o ruido blanco:

- 1 – Un ruido blanco fuerte se produce normalmente cuando el regulador de nivel del amplificador está ajustado muy alto. Ajuste de nuevo el regulador en correspondencia al procedimiento en el punto "Ajuste del equipo después de la instalación para alcanzar la mejor potencia".
- 2 – Otra causa que puede conllevar a un siseo excesivo se encuentra en un equipo de fuente con ruidos. Afloje los cables cinch de la entrada del amplificador. Si ahora disminuye el nivel de ruido hay una función errónea en el equipo de fuente.



## **Interferencias eléctricas:**

El interior de un vehículo representa siempre un entorno desfavorable para los equipos eléctricos. El gran número de instalaciones eléctricas como el encendido, generador, bombas de gasolina, acondicionador de aire, etc. generan campos electromagnéticos así como también ruidos en el terminal de +12 voltios y a tierra. También aquí se tiene que localizar como siempre el problema, aflojando primero los cables cinch de la entrada del amplificador. Si todavía se perciben ruidos compruebe los cables de altavoz. Si esto no fuera el caso enchufe de nuevo los cables cinch del amplificador y examine el equipo de fuente que alimenta el amplificador, siempre un componente tras otro.

## **Un click o aullido que cambia en dependencia de las revoluciones del motor:**

- 1 – Este problema se puede atribuir a la radiación de campos electromagnéticos en los cables cinch del amplificador que están tendidos p. ej. muy cerca de una bomba de gasolina o un distribuidor. – Tienda los cables de otra forma.
- 2 – Compruebe si la conexión a tierra del equipo principal está unida directamente con el chasis del vehículo y no está puesta a tierra a través de la red de la línea de a bordo.
- 3 – Trate de unir el cable de +12 voltios del equipo principal directamente con el polo positivo de la batería y no conectarlo a través del cableado estándar / la caja de fusibles en el tablero de control.

## **Aullido permanente:**

La causa de este tipo de ruido perturbante es posiblemente más difícil de localizar. Éste es ocasionado normalmente por cualquier forma de inestabilidad que conlleva a divergencias en el sistema.

- 1 – Compruebe todas las conexiones, especialmente si la puesta a tierra es correcta.
- 2 – Asegure que ningún cable de altavoz forme un cortocircuito con el chasis del vehículo a través de un metal descubierto.
- 2- Los cables cinch son conocidos por su naturaleza problemática, por lo que se tiene que comprobar si están en orden y especialmente las uniones blindadas.

## Indice

<b>GARANZIA</b>	34
<b>ISTRUZIONI GENERALI PER L'INSTALLAZIONE</b>	
System design	35
Installazione	35
<b>DESCRIZIONE DELLE CARATTERISTICHE DELL'AMPLIFICATORE</b>	
Amplificatore a due canali RAB 250	36
Amplificatore a quattro canali RAB 450	37/38
Amplificatore Mono RAB 1450	38
<b>DOPO L'INSTALLAZIONE</b>	
Impostazione del sistema dopo l'installazione per ottenerne il massimo rendimento.	39
Diagnostica guasti nell'impianto	40-41
<b>MODALITÀ D'USO DELL'AMPLIFICATORE</b>	
<b>Amplificatore a due canali RAB 250</b>	
Sistema Stereo a gamma completa	50
Canale a ponte Mono per il subwoofer	50
Sistema crossover attivo a due vie	51
<b>Amplificatore a quattro canali RAB 450</b>	
Sistema Stereo a quattro canali a gamma completa	52
Sistema attivo a due vie	52
Sistema Stereo a gamma completa a tre canali	53
<b>Amplificatore Mono RAB 1450</b>	
Un subwoofer da 4, 2 o 1 Ohm	54
Due subwoofer da 4 o 2 Ohm	54
<b>DATI TECNICI</b>	55

## Garanzia

In quanto casa produttrice di apparecchiature audio veicolari la MB QUART, la Maxxsonics USA Inc. e la Maxxsonics Europe GmbH garantiscono all'acquirente o consumatore originale l'assenza di difetti nei materiali e nella produzione dell'amplificatore per la durata di un (1) anno dalla data d'acquisto.

Il presente prodotto soddisfa i requisiti minimi di garanzia UE se acquistato nei paesi dell'EU.

Per essere certi che la polizza di garanzia sia valida conservare la ricevuta finale comprovante la data d'acquisto.

Tutte le altre parti ed accessori dell'impianto sono garantite esenti da difetti nei materiali e nella lavorazione per il periodo di un (1) anno dalla data d'acquisto. Maxxsonics provvederà alla riparazione a proprio giudizio e senza aggravio di costi durante il periodo di garanzia di qualsiasi componente del sistema che dovesse rivelarsi difettoso nel materiale e nella lavorazione purché sia stato installato regolarmen-

te, utilizzato normalmente e sottoposto a regolare manutenzione. In tal caso il prodotto deve essere consegnato al rivenditore MB QUART autorizzato da cui è stato acquistato corredato dalla fotocopia della ricevuta originale del prodotto restituito. In assenza della ricevuta originale la garanzia è di un anno (1) dalla data di produzione.

Qualsiasi danno al prodotto causato da uso improprio o abuso, incidente, collegamento sbagliato, installazione effettuata in modo scorretto, modifica del codice a barre o delle relative etichette, rivoluzioni, disastri naturali o qualsiasi intervento tecnicamente eseguito in modo incompetente, riparazione o alterazione apportata dopo l'uscita dalla nostra fabbrica o dai centri d'assistenza autorizzati e qualsiasi altra modifica riconducibile ad interventi che non dovevano essere fatti sono esclusi dalla garanzia.

La garanzia è limitata ai pezzi difettosi ed esclude specificatamente qualsiasi danno incidentale o conseguente che può derivarne. La presente garanzia non vale come polizza d'assicurazione.

Maxxsonics USA Inc. e Maxxsonic Europe GmbH non rispondono d'interventi d'installazione, rimozione, re-installazione e spese di spedizione.

## System design

Il successo di qualsiasi impianto stereo veicolare dipende da diversi fattori come il design del sistema, l'esecuzione dell'installazione e l'impostazione del sistema. Questo capitolo si propone di aiutare l'installatore offrendo diversi consigli e indicazioni sulle corrette modalità d'installazione. Si prega di osservare che qualsiasi sistema può essere buono solo quanto può esserlo la sua parte meno efficiente.

Stabilire il formato del sistema, cioè amplificatore singolo, attivo, fronte/retro ecc. Scegliere quindi la potenza dell'amplificatore a piacere. Si prega di ricordare che i sistemi con la potenza più alta non servono necessariamente soltanto alla produzione di alti livelli di pressione audio ma anche per ottenere una maggiore resa nelle

frequenze estreme con una conseguente riproduzione chiara senza distorsioni. Gli amplificatori a bassa potenza raggiungono prima i loro limiti degli amplificatori più potenti e in condizioni di sovraccarico possono determinare malfunzionamenti dovuti agli armonici generati da un segnale limitato che causano il surriscaldamento delle bobine vocali.

Scegliere la posizione di montaggio dell'altoparlante e dell'amplificatore. La posizione è sempre un compromesso tra lo spazio e la rappresentazione dei livelli audio. Gli amplificatori andrebbero sempre montati con le scanalature in verticale per garantire il miglior raffreddamento per convezione e ridurre al minimo la possibilità di surriscaldamento.

Acquistare i migliori cavi cinch possibili per una maggiore affidabilità e una minore interferenza con il rumore del motore nell'impianto audio.

## Installazione

### Istruzioni generali:

Montare l'amplificatore/I nella posizione prescelta.

Disporre gli attacchi in modo che i cavi cinch si trovino ad una distanza minima di 50 cm dai cavi di rete e degli altoparlanti. Tenere i cavi cinch lontani da apparecchiature elettriche nel veicolo perché potrebbero causare fruscii (ad es. pompe della benzina).

### Attacchi alla rete e massa:

Utilizzare cavi di rete sufficientemente dimensionati, con una sezione di almeno 10 mm<sup>2</sup> per amplificatore. In impianti con amplificatori multipli si consiglia di montare una protezione sufficientemente dimensionata direttamente alla batteria e portare un cavo di corrente da + 12 volt a un blocco di distribuzione con protezione in prossimità degli amplificatori. Si può quindi facilmente collegare il terminale da +12 volt di ciascun amplificatore al blocco di distribuzione.

Effettuare la messa a terra di ciascun amplificatore direttamente al telaio dell'autoveicolo con l'attacco a massa il più possibile breve utilizzando anche in questo caso cavi da almeno 10 mm<sup>2</sup>. Se necessario utilizzare un blocco di distribuzione a massa, ma è estremamente importante mantenere più breve possibile l'attacco principale di massa dal blocco di distribuzione al telaio e in ogni caso non oltre i 30 cm. L'attacco di massa al telaio dell'autoveicolo deve essere sempre integro e il miglior modo per ottenere un solido ed efficiente contatto elettrico e meccanico è utilizzare un capocorda tondo grande, pinzato e saldato al cavo di massa. Il passaggio successivo consiste nel rimuovere la vernice dal telaio dell'autoveicolo per un superficie un po' più estesa del capocorda tondo e in corrispondenza del punto di collegamento. Praticare un foro d'apertura nel telaio della stessa dimensione del foro per il capocorda e utilizzando cacciavite, piaattforma e dado fissare saldamente il capocorda di massa. Applicare un agente anticorrosivo sul collegamento vite/capocorda per impedirne l'ossidazione con il tempo.

**CONSIGLIO:** procedere nello stesso modo per l'installazione delle unità di comando, degli equalizzatori e di qualsiasi altra apparecchiatura audio di questo genere - scegliendo la soluzione più breve di messa a terra di ciascun pezzo rispetto al telaio dell'autoveicolo. Ciò consente di limitare al minimo lacci e fruscii.

Tutti gli attacchi di massa e degli altoparlanti devono essere pinzati e saldati per poter essere ben solidi. Accertarsi che nessun isolamento dei cavi entri in contatto con metallo esposto all'interno del veicolo determinando così costi circuiti al telaio.

### Sequenza sicura d'esecuzione degli attacchi:

Dopo aver posato tutti i cavi collegare i cavi dell'altoparlante all'altoparlante e agli amplificatori quindi collegarli ed innestarli nei cavi cinch. Collegare quindi tutti i cavi di massa e gli attacchi del comando d'accensione. Collegare tutti i cavi da +12 volt all'amplificatore/i e ai blocchi di distribuzione e portafusibili. Collegare infine il cavo principale da +12 volt alla batteria con la protezione principale staccato. A questo punto l'impianto è quasi pronto per essere messo in funzione.

### Messa in funzione dell'impianto:

La procedura descritta di seguito può sembrare pedante ma non c'è niente di più frustrante che accendere l'impianto per la prima volta e constatare che non funziona immediatamente come dovrebbe.

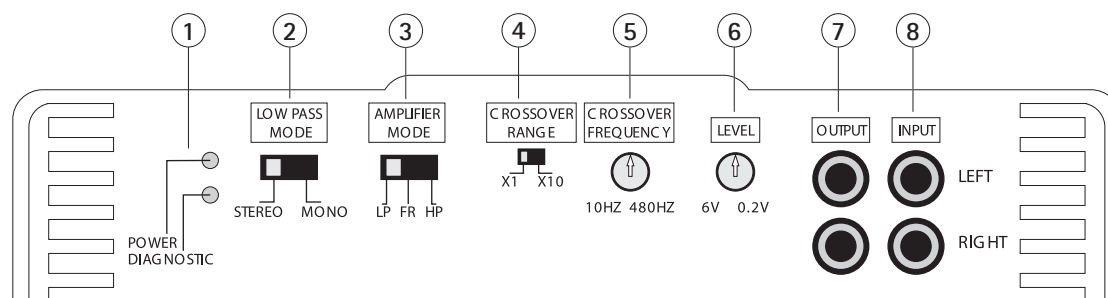
Per prima cosa accertarsi che l'unità di comando sia spenta e che tutti i livelli siano al minimo ( in senso antiorario), compreso il volume dell'unità di comando. Mettere tutti gli equalizzatori su 0 dB (amplificazione 0) e tutte le frequenze di transizione su frequenze approssimate come consigliato dalla casa produttrice dell'altoparlante. Mettere tutti gli interruttori d'ingresso e di transizione come richiesto per il funzionamento del sistema.

Togliere tutte le protezioni degli amplificatori ed inserire la protezione principale nella batteria. Se la protezione non salta si può inserirla in uno degli amplificatori e ora è possibile accendere l'impianto.

Accendere l'unità di comando, inserire un CD o selezionare una stazione radiofonica e alzare il volume nell'unità di comando. Se il suono prodotto dall'impianto è buono spegnere l'unità di comando ed installare le protezioni negli amplificatori rimasti una per una finché tutto l'impianto è acceso e funziona regolarmente.

# DESCRIZIONE DELLE CARATTERISTICHE DELL'AMPLIFICATORE

## Amplificatore a due canali RAB 250



### 1. Spie LED

1. POWER: s'illumina se l'apparecchio è in tensione e viene acceso mediante l'apposito comando.
2. DIAGNOSTICS: la spia LED di diagnosi s'illumina in condizioni di guasto.

### 2. LOW PASS MODE (modo passo bassi)

Selezionabile in modo stereo o mono.

### 3. AMPLIFIER MODE (selettore della fonte dell'amplificatore)

1. Seleziona la gamma di frequenza, che viene trasmessa amplificata agli altoparlanti.
2. L'impostazione FR (gamma completa) trasmette la gamma completa di frequenza dall'entrata (INPUT) agli amplificatori interni.
3. HP (passa alti) passa la gamma di frequenza che si trova al di sopra della frequenza di taglio a sua volta stabilita dal regolatore della frequenza di transizione (CROSSOVER FREQ SELECT).
4. LP (passa bassi) trasmette la gamma di frequenza agli amplificatori interni che si trovano al di sotto della frequenza di taglio impostata.

### 4. CROSSOVER RANGE (gamma del filtro crossover)

Il selettore CROSSOVER RANGE configura l'uscita del filtro crossover per il valore illustrato (x1) oppure lo moltiplica per dieci (x10).

### 5. CROSSOVER FREQUENCY (regolatore per la selezione della frequenza di transizione)

1. Il punto della frequenza di transizione viene impostato mediante la resistenza regolabile per il passa bassi e per il passa alti.
2. Il selettore di gamma (CROSSOVER RANGE) è un moltiplicatore per il regolatore impostabile e serve cioè ad effettuare un'armonizzazione totale da 10 Hz a 480 Hz, suddivisa in due settori.

### 6. LEVEL (livello)

1. Armonizza la sensibilità d'entrata dell'amplificatore in base al livello d'uscita dell'apparecchio radio/del riproduttore CD.
2. Attenzione: controllare nelle istruzioni per l'uso dell'apparecchio radio/riproduttore CD se la sensibilità del livello è quella corretta ed impostare adeguatamente il regolatore LEVEL nell'amplificatore.

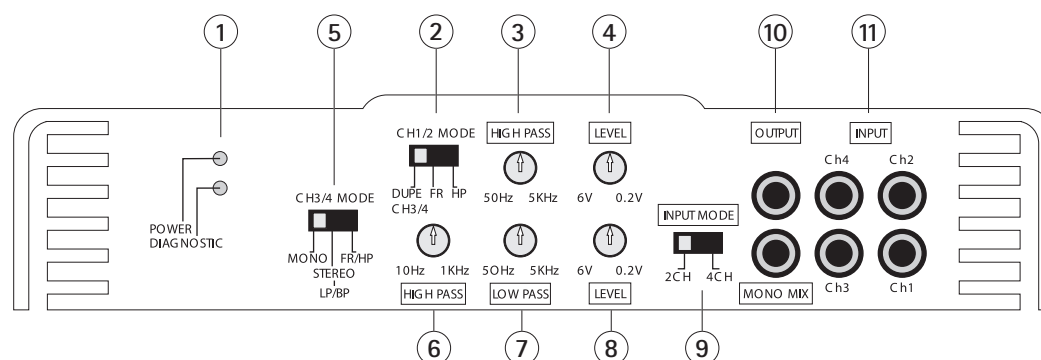
### 7. OUTPUT (Uscita Line)

1. Quest'uscita cinch può gestire l'entrata di altri amplificatori in un impianto (commutazione in serie secondo il sistema Daisy-Chain).

### 8. INPUT (Ingresso Line)

1. Entrata LEFT (sinistra) e RIGHT (destra) dell'amplificatore per l'attacco dei cavi cinch dell'apparecchio radio/riproduttore CD con una gamma da 0,2 V a 6 V.
2. Utilizzare un adattatore di livello High-/ Low se l'apparecchio radio /il riproduttore CD dispone soltanto d'uscite per gli altoparlanti (livello alti).

## Amplificatore a quattro canali RAB 450



### 1. Spie LED

1. **POWER:** s'illumina se l'apparecchio è in tensione e viene acceso mediante l'apposito comando.
2. **DIAGNOSTICS:** la spia LED di diagnosi s'illumina in condizioni di guasto.

### 2. CH 1/2 MODE (canale 1 / 2 modo)

1. **DUPE CH 3/4** porta il segnale musicale come impostato nella sezione di regolazione dei canali 3/4 duplicato alla coppia d'amplificatori 1/2. Pregasi di notare che in questo caso il livello del segnale relativo ai canali 1 & 2 viene regolato esclusivamente dai canali 3/4 per ottenere un'esatta duplicazione del segnale musicale dei canali 3 & 4.
2. **FR (FULL RANGE / Gamma completa)** porta il segnale completo di frequenza dall'entrata dei canali 1 & 2 (CH1/2 INPUT) all'amplificatore interno.
3. **HP (HIGH PASS / Passo alti)** porta la gamma di frequenza con la frequenza impostata con il regolatore di passo alti (HIGH PASS) all'amplificatore interno.

### 3. CH 1/2 HIGH PASS (Passo alti)

1. Filtro variabile passa alto da 50Hz a 5KHz.
2. Questa possibilità d'impostazione può essere evitata impostando il selettore CH 1/2 MODE sulla posizione del selettore DUPE CH 3/4 oppure FR (Full Range/Gamma completa).

### 4. CH 1/2 LEVEL (Livello segnale)

1. Adatta la sensibilità d'entrata dei canali 1 & 2 all'uscita del segnale della radio / del lettore CD.
2. Si prega d'osservare che se il selettore CH 1/2 MODE è impostato su DUPE CH 3 / 4 il selettore di livello CH 1/2 LEVEL non funziona.

### 5. CH 3/4 MODE (canale modo 3 / 4)

1. Selezionare la posizione MONO del selettore se si desidera collegare a ponte i canali 3 & 4.
2. **LP/BP (Low Pass/Bandpass, Passa basso/Passa banda)** trasmette agli amplificatori interni la gamma di frequenza mediante la frequenza impostata con il regolatore di passo alti (HIGH PASS) e sotto la frequenza impostata mediante il regolatore di passo bassi (LOW PASS). In questo modo il passo alti funge da filtro subsonico.

3. **FR/HP (Full Range/High Pass, Gamma completa/Passo alti)** evita l'impostazione del passo bassi e viene riprodotta la gamma di frequenza al di sopra di quella impostata mediante il regolatore di passo alti (HIGH PASS).

### 6. 3&4 HIGH PASS (Passo alti)

1. Questo filtro passa alto impostabile in modo variabile da 10Hz fino a 1 KHz è permanentemente collegato alla coppia d'entrata canale 3&4.
2. Dato che il passo alti si può impostare in basso fino a 10 Hz lo si può anche considerare come una riproduzione della gamma completa.
3. Essendo permanentemente collegato ai canali 3 & 4 il passo alti può essere utilizzato sia come filtro subsonico se regolato tra i 20 e i 40 Hz oppure all'interno di una riproduzione di frequenza solo di una determinata gamma di frequenza (passa banda) insieme al filtro passa basso come frequenza di taglio bassa o alta se il selettore del modo canale 3 / 4 (CH 3/4 MODE) si trova in posizione centrale LP/BP.

### 7. LOW PASS

1. Filtro passa bassi regolabile in continuo nella gamma da 50 Hz a 5 kHz.
2. Il percorso del segnale e il modo sono impostati dal selettore della fonte CH3/4 MODE e dagli interruttori per la selezione della configurazione del passa bassi LOW PASS.

### 8. CH 3/4 LEVEL (Livello segnale)

1. Adatta la sensibilità d'entrata dei canali 3 & 4 all'uscita del segnale della radio / del lettore CD.
2. Pregasi di notare che nel caso in cui il selettore CH 1 / 2 MODE sia impostato su DUPE CH 3 / 4 il selettore di livello CH 1 / 2 LEVEL non funziona più e il livello del segnale dei canali 1 & 2 viene impostato mediante il regolatore CH 3/4 LEVEL.

### 9. INPUT MODE (Modo d'entrata)

1. Nella posizione 2CH tutti e quattro i canali dell'amplificatore ricevono il segnale che viene trasmesso attraverso i cavi cinch indicati con CH 1 e CH 2.
2. Nella posizione 4CH tutti e quattro i canali dell'amplificatore 1 & 2 ricevono il segnale che viene trasmesso attraverso i cavi cinch indicati con CH 1 e CH 2 e i canali dell'amplificatore 3 & 4 ricevono il segnale che viene trasmesso mediante i cavi cinch indicati con CH 3 e CH 4.

## DESCRIZIONE DELLE CARATTERISTICHE DELL'AMPLIFICATORE

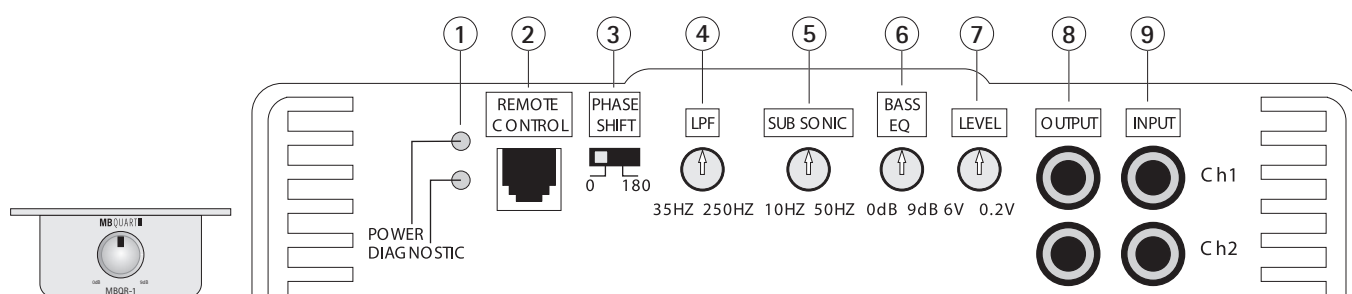
### 10. OUTPUT (Uscita Line)

1. Attraverso l'uscita Line si può allacciare e comandare un'ulteriore utenza a cascata (Daisy Chain)
2. Nella modalità a 4 canali: portate l'interruttore 9 su 4CH. Tutt'e 4 i canali vengono uniti in un monosegnale e mettono questo segnale a disposizione su entrambe le uscite Line. In tal modo si ottiene un monosegnale davanti/dietro per un Sub-Bass costante, ossia non regolabile attraverso il fader, ai fini di mettere a disposizione un segnale ad un ulteriore amplificatore subwoofer.
3. Nella modalità a 2 canali: portate l'interruttore 9 su 2CH. Qui vengono uniti solo i canali 1&2 e messi a disposizione ad entrambe le uscite Line.

### 11. INPUT (Ingresso Line)

1. Ingressi amplificatore canale 1-4 della radio/del lettore di CD attraverso cinch con un livello di segnale compreso tra 0,2 e 6 Volt.
2. Utilizzate un adattatore di livello alto/basso quando la Vostra radio/il Vostro lettore di CD mette a disposizione semplicemente uscite altoparlante (livello alto).
3. A seconda di come il Vostro impianto è realizzato, per un corretto allacciamento dell'ingresso Line siete pregati di seguire i disegni schematici come descritto al capitolo "Applicazioni dell'amplificatore" di questo manuale di istruzioni per l'uso.

## Amplificatore Mono RAB 1450



#### 1. Spie LED

1. POWER: s'illumina se l'apparecchio è in tensione e viene acceso mediante l'apposito comando.
2. DIAGNOSTICS: la spia LED di diagnosi s'illumina in condizioni di guasto.

#### 2. BASS REMOTE (telecomando bassi)

Se il MBQR-1 Bass Remote è collegato alla boccola REMOTE con il cavo di comando fornito il BASS BOOST (aumento bassi) può essere impostato da 0 db a 9 dB mediante ad es. il modulo di telecomando montato sotto il cruscotto.

#### 3. PHASE SHIFT (Selettore di fase)

Fase selezionabile da 0 a 180°

#### 4. LOW PASS FILTER (Filtro passa basso)

1. Il filtro passa basso può essere regolato in continuo mediante il regolatore di giri LPF da 35 a 250 Hz.
2. Vengono riprodotte tutte le frequenze al di sotto la frequenza di taglio impostata.

#### 5. SUBSONIC (Filtro subsonico)

1. Il filtro subsonico può essere impostato in continuo da 10 a 50 Hz mediante il regolatore di giri SUBSONIC.
2. Vengono riprodotte tutte le frequenze al di sopra della frequenza di taglio impostata.

#### 6. BASS EQ (Innalzamento dei bassi)

1. Grazie al regolatore di giri BASS EQ è possibile alzare il livello dei bassi a 45 Hz in modo variabile di 0 arrivando fino ad un innalzamento di 9 dB.

#### 7. LEVEL

1. Adatta la sensibilità d'entrata dell'amplificatore al livello d'uscita del segnale della radio / del lettore CD.
2. Avvertenza: vedere nelle istruzioni per l'uso della radio / del lettore CD relativamente a quanto deve essere la potenza corretta del livello del segnale e adattare conseguentemente il livello d'entrata.

#### 8. OUTPUT (Uscita Line)

1. Quest'uscita può essere utilizzata per la trasmissione del segnale ad un altro amplificatore (daisy-chaining / collegamento a cascata)

#### 9. INPUT (Ingresso Line)

Entrata LEFT (sinistra) e RIGHT (destra) dell'amplificatore per l'attacco dei cavi cinch dell'apparecchio radio/del riproduttore CD per una gamma compresa tra gli 0,2 e i 6 V.

1. Utilizzare un adattatore di livello High-/Low se l'apparecchio radio/il riproduttore CD dispone solo d'uscite (di livello alto) per l'altoparlante.

## **Impostazione del sistema dopo l'installazione per ottenerne il massimo rendimento.**

### **Istruzioni generali:**

Come indicato nel capitolo "Istruzioni generali per l'installazione" l'impianto dovrebbe ora essere acceso e in condizione di funzionare. A questo punto tutte le frequenze di transizione e d'ingresso vanno adeguatamente settate per l'utilizzo e volume, livello ed equalizzatore vanno messi al minimo.

### **Settaggio del livello:**

Inserire un CD o una cassetta che si ascolta abitualmente e che si può utilizzare come riferimento. Mettere il volume dell'unità di comando all'incirca all'80% del volume più alto possibile. Il livello audio dell'impianto naturalmente sarà molto basso ma le seguenti procedure serviranno per regolare con precisione la sensibilità d'ingresso dell'amplificatore in base al livello del segnale d'uscita dell'unità di comando.

### **Impianti semplici con amplificatore a due canali (RAB 250):**

Alzare lentamente il livello finché non si avvertono distorsioni, quindi ritornare indietro di alcuni gradi.

### **Impianti semplici con amplificatore a quattro canali (RAB 450):**

Alzare lentamente il livello del canale 1&2 finché non si avvertono distorsioni, quindi ritornare indietro di alcuni gradi.

Ripetere la stessa procedura per il canale 3&4.

### **Impianti attivi a 2 o 3 vie (tutti):**

Iniziare sempre con il basso o con un amplificatore a bassa frequenza da utilizzare come riferimento alzando il livello finché non si avvertono distorsioni, quindi ritornare indietro di alcuni gradi.

Impostare quindi il livello dei canali degli alti o dei tweeter in un impianto attivo a due vie per bilanciare gli alti con i bassi.

In un impianto attivo a tre vie accordare la gamma intermedia a quella bassa, quindi quella alta a quella intermedia e ai bassi. Può essere necessario ripetere più volte la regolazione del livello della gamma intermedia e alta per ottenere un bilanciamento audio soddisfacente.

### **Regolazione di precisione della frequenza di transizione:**

Nel capitolo "Istruzioni generali per l'installazione" si era iniziata l'impostazione delle frequenze di transizione da posizioni approssimative e ora le si possono regolare in modo preciso per una migliore qualità audio. Accertarsi di non scostarsi troppo dalle frequenze di transizione consigliate dal produttore dell'altoparlante poiché oltrepassare le gamme nominali di frequenza di funzionamento può danneggiare la gamma intermedia e i tweeter.

### **Settaggio dell'equalizzatore:**

Quando tutti i livelli e le frequenze di transizione sono stati impostati per ottenere un gradevole bilanciamento audio è possibile iniziare l'equalizzazione. È importante osservare che l'amplificazione applicata ad una frequenza o gamma di frequenze può determinare un grande sovraccarico all'amplificatore. I seguenti commenti si riferiscono a TUTTI gli equalizzatori e regolatori audio degli amplificatori, a quelli sulle unità di comando e agli equalizzatori inseriti nei cruscotti.

Utilizzare il volume dell'unità di comando per regolare l'impianto ad un livello intermedio e procedere con l'impostazione degli equalizzatori e dell'audio secondo i gusti personali. Ritornare all'impostazione del livello descritta sopra e reimpostare tutti i livelli.

**Sedersi e godersi la musica!**

### Diagnostica guasti nell'impianto

Per individuare l'origine di un problema audio occorre isolare le parti del sistema in causa in modo logico per localizzare il motivo del guasto.

#### Descrizione del sistema di diagnosi incorporato in tutti gli amplificatori MB QUART:

il sistema di diagnosi disattiva l'amplificatore finché non viene resettato mediante spegnimento e successiva riaccensione dell'unità di comando. Questa condizione viene indicata dall'accensione della spia PROTEC LED sul pannello di comando che si accende nelle seguenti condizioni:

- 1 – corto circuito ai cavi dell'uscita dell'amplificatore.
- 2 – guasto interno dell'amplificatore che ha causato un'interruzione della corrente continua sull'uscita dell'altoparlante.

Se l'amplificatore entra nel modo di diagnostica basta scollegare tutti i cavi cinch e i cavi dell'altoparlante lasciando però collegati i cavi da +12 volt, quelli di massa e del telecomando. Riaccendere quindi l'amplificatore e se si illumina il LED di diagnostica significa che l'amplificatore ha un guasto interno.

In caso contrario reinserire i cavi cinch e riaccendere l'amplificatore. Se anche ora entra nel modo di diagnostica il guasto è all'ingresso ed è dovuto a cavi difettosi oppure nell'unità fonte.

Se l'amplificatore sembra funzionare bene con i cavi cinch inseriti collegare gli altoparlanti uno alla volta e se un altoparlante o il suo attacco è difettoso attiverà il sistema di diagnostica.

#### Surriscaldamento del dispersore dell'amplificatore:

Gli amplificatori si scollegano quando la temperatura del dispersore raggiunge gli 80 gradi centigradi e si ricollegano quando l'unità si è raffreddata raggiungendo una temperatura al di sotto di quella indicata.

#### Cause del surriscaldamento:

- 1 – raffreddamento inadeguato – sistemare in un altro punto o rimontare per assicurare un migliore afflusso d'aria naturale sulle apposite scanalature.
- 2 – non forzare alti livelli di resa in impedenze basse – ritornare indietro al controllo del volume e / o assicurarsi di non caricare l'amplificatore con un'impedenza inferiore di quella consigliata per l'altoparlante.

#### Basso rendimento in uscita:

- 1 – controllare che i livelli siano stati impostati correttamente.
- 2 – accertarsi che il voltaggio della batteria, come misurato ai terminali da + 12 volt dell'amplificatore e a quelli di massa, sia pari a 11 volt o oltre.
- 3 – controllare tutti gli attacchi da +12 volt e quelli a terra.

#### Le protezioni saltano:

- 1 – l'utilizzo d'impedenze degli altoparlanti al di sotto del minimo consigliato attira più corrente – effettuare un controllo.
- 2 – un corto circuito sul cavo principale da +12 volt dalla batteria al telaio del veicolo fa saltare la protezione principale.
- 3 – se la protezione di un amplificatore salta continuamente quando sono collegati solo i cavi da +12 volt, la massa e il telecomando significa che l'amplificatore può essere difettoso.

#### L'impianto non si accende:

- 1 – controllare tutte le protezioni.
- 2 – controllare tutti gli attacchi.
- 3 – misurare la tensione d'accensione del telecomando e quella da + 12 volt ai terminali. Se è assente o bassa effettuare la misurazione del voltaggio ai portafusibili, ai blocchi di distribuzione, all'unità di comando da +12 volt e ai cavi del telecomando per localizzare il problema.

**Problemi di rumorosità:** i rumori prodotti dall'impianto possono essere divisi in due categorie, sibili ed interferenza elettrica.

#### Sibili o rumori bianchi:

- 1 – Livelli elevati di rumore bianco si verificano solitamente quando i livelli dell'amplificatore sono impostati su di un valore troppo alto – effettuare una nuova regolazione seguendo le procedure indicate nella sezione " Impostazione del sistema dopo l'installazione per ottenerne il massimo rendimento ".
- 2 – Un motivo importante che può determinare sibili in misura eccessiva è un'unità di comando rumorosa: scollegare i cavi d'entrata dell'amplificatore e se il livello di sibilo si abbassa l'unità fonte non funziona correttamente.



**Interferenze elettriche:**

L'interno di un autoveicolo costituisce una condizione estremamente sfavorevole per le apparecchiature elettroniche. La notevole quantità di sistemi elettrici come il sistema d'iniezione, l'alternatore, le pompe del carburante, i condizionatori per ricordarne solo alcuni creano campi elettromagnetici e rumore al cavo da + 12 volt e alla massa. Ricordarsi di procedere isolando il problema staccando prima i cavi cinch d'ingresso dell'amplificatore. Se il rumore persiste controllare i cavi dell'altoparlante, se il rumore scompare reinserire i cavi cinch dell'amplificatore e indagare sull'unità fonte che alimenta l'amplificatore, un componente alla volta.

**Un ticchettio o guaito che cambia a seconda del numero dei giri del motore:**

- 1 – Questo problema può essere causato da radiazioni di campi elettromagnetici di cavi cinch d'amplificatori posti troppo vicino a pompe del carburante o ad un distributore: è necessario ricollocare i cavi.
- 2 – Controllare se l'attacco di massa dell'unità di comando è collegato vicino al telaio del veicolo e non utilizza i cavi di bordo per la messa a terra.
- 3 – Cercare di collegare l'unità di comando a un cavo da + 12 volt direttamente al polo negativo della batteria invece di utilizzare un cavo standard/cassetta delle protezioni.

**Guaito costante:**

Questo tipo di rumore può essere più difficile da identificare ma causato solitamente da qualche instabilità che causa oscillazioni all'interno del sistema.

- 1 – Controllare tutti i collegamenti, specialmente se la messa a terra è effettuata in modo corretto.
- 2 – Accertarsi che nessun cavo dell'altoparlante causi corto circuito sul metallo esposto nel telaio del veicolo.
- 3 – I cavi cinch sono famosi per la loro natura problematica perciò verificare se sono in buone condizioni, in particolare i collegamenti schermati.

## Содержание

<b>ГАРАНТИЯ</b>	42
<b>ОБЩИЕ УКАЗАНИЯ ПО МОНТАЖУ</b>	
Конструктивные параметры системы / Дизайн системы	43
Монтаж	43
<b>ОПИСАНИЕ ПАРАМЕТРИЧЕСКИХ ДАННЫХ УСИЛИТЕЛЕЙ</b>	
RAV 250 2-канальный усилитель	44
RAV 450 4-канальный усилитель	45/46
RAV 1450 Моно-усилитель	46
<b>ПОСЛЕ МОНТАЖА</b>	
Настройка системы после монтажа для получения наилучшего эффекта звучания	47
Поиск неисправностей в пределах системы	48-49
<b>ПРИМЕНЕНИЯ УСИЛИТЕЛЕЙ</b>	
<b>RAV 250 2-канальный усилитель</b>	
Полнодиапазонная стерео-система	50
Переключенная моносхема для сабвуфера	50
Активная 2-канальная система разделительных фильтров	51
<b>RAV 450 4-канальный усилитель</b>	
4-канальная полнодиапазонная стерео-система	52
Активная 2-канальная система	52
3-канальная полнодиапазонная стерео-система	53
<b>RAV 1450 Моно-усилитель</b>	
Сабвуфер 4, 2 или 1 Ом	54
Два сабвуфера 4 или 2 Ом	54
<b>ТЕХНИЧЕСКИЕ ДАННЫЕ</b>	55

## Гарантия

В качестве изготовителя автомобильных аудиосистем модельного ряда MB QUART фирмы Maxxsonics USA Inc. и Maxxsonics Europe GmbH гарантируют первоначальному покупателю, что относительно материала и качества обработки усилитель будет исправно работать в течение одного (1) года после даты покупки.

Данное изделие удовлетворяет требованиям действующих стандартов ЕС по минимальным гарантийным обязательствам, если оно было приобретено в странах Европейского Сообщества.

Для того чтобы сохранить действие гарантийной защиты, не выбрасывайте Ваш кассовый чек, который может служить в качестве подтверждения даты покупки.

На все другие детали и аксессуары системы относительно материала и качества обработки действует гарантийный срок исправного функционирования один (1) год, считая с даты приобретения. Фирма Maxxsonics производит бесплатный ремонт и замену по своему усмотрению любого компонента системы, в котором в течение действия гарантийного срока в отношении материала или качества обработки при обычных

условиях монтажа и при обычной эксплуатации и техобслуживании будут обнаружены недостатки, все это при условии, что изделие будет сдано тому авторизованному дилеру фирмы MB QUART, у которого оно было куплено. К возвращаемому изделию необходимо приложить фотокопию оригинала кассового чека. Если он не может быть представлен, гарантийный срок один (1) год будет исчисляться, начиная с даты изготовления.

Гарантия не распространяется на любой случай повреждения изделия, который произошел вследствие неправильного или ненадлежащего применения, несчастного случая, неправильного подключения, монтажа, который был выполнен ненадлежащим образом, изменения кода датирования или маркировки штриховым кодом, падений, природных катаклизмов или каких-либо случаев некачественного вмешательства, ремонта или внесения изменений за пределами нашего завода или авторизованных сервис-центров, а также всех других действий, которые производились неправомочным, некомпетентным образом.

Действие этой гарантии распространяется только на дефектные детали и исключает все случайные или возможные косвенные убытки, которые могут возникнуть в результате этого. Данная гарантия не имеет силы страхового полиса.

Фирма Maxxsonics USA Inc. или фирма Maxxsonics Europe GmbH не несут ответственность за выполненные монтажные работы, демонтаж, повторную сборку и транспортные расходы.

## Конструктивные параметры системы / Дизайн системы

Удачная комплектация любой автомобильной стереоустановки зависит от нескольких факторов, например, от конструктивных параметров системы, выполненного монтажа и настройки системы. Этот раздел, содержащий различные рекомендации и указания, должен содействовать приобретению хороших практических навыков по монтажу. Просим учитывать, что любая система может быть настолько хорошей, насколько хорошим является ее самое слабое звено.

Определитесь с форматом системы, например, одиночный усилитель, активный разделительный фильтр, расположение спереди/сзади и т.д. Затем в соответствии с Вашими личными предпочтениями выберите параметры мощности усилителя. Просим учесть, что системы более высокой мощности

необязательно служат только для получения высокой громкости звучания. Они предназначены также для того, чтобы получить более высокую мощность в диапазоне пиковых частот, с тем чтобы музыкальные высшие звуки могли воспроизводиться в чистом виде без искажений. Усилители с более низкой мощностью достигают своего порога раньше, чем их более мощные собратья, и в случае перегрузки по входу на основании гармоник, созданных ограниченным сигналом, которые приводят к перегреву звуковой катушки, они могут вызвать сбои в работе динамиков.

Выберите монтажное положение для динамиков и усилителей. Расположение динамиков всегда является компромиссным решением между пространством и представлением ступеней. Устанавливать усилители всегда с вертикально проходящими ребрами охлаждения, чтобы получить наилучшую конвекцию при охлаждении и предотвратить перегрев.

Для обеспечения надежности и меньших по величине взаимных помех работе аудиосистемы при работе двигателя приобретите cinch-кабель самого высокого качества.

## Монтаж

### Общие сведения:

Установить усилитель/усилители в выбранном положении. Соединительные кабели проложить таким образом, чтобы кабели RCA проходили на расстоянии не менее 50 см от сетевых кабелей и кабелей динамиков, и чтобы они находились на достаточном удалении от электрических устройств в автомобиле, которые могут привести к появлению электрических шумов, например, бензонасосы.

### Подключения к сети/соединения на массу:

Используйте сетевые кабели с достаточными параметрами, сечение кабеля для усилителя не менее 10 мм<sup>2</sup>. В системе с многокаскадным усилителем целесообразно сразу установить на батарее предохранитель достаточной мощности и провести токопроводящий кабель +12 В к распределительному блоку с предохранителем вблизи усилителей. После этого можно без труда подключить присоединительные терминальные устройства +12 В каждого усилителя к распределительному блоку.

Каждый усилитель заземлить напрямую через шасси автомобиля посредством, по возможности, самого короткого соединения на массу, в данном случае тоже с использованием кабеля сечением не менее 10 мм<sup>2</sup>. В случае необходимости используйте для этой цели распределительный блок подключения на массу, тем не менее, чрезвычайно важным моментом является то, чтобы сделать как можно короче, ни в коем случае не больше 30 см, основное подключение на массу от этого распределительного блока к шасси. Подключение массы к шасси автомобиля должно быть обеспечено в полном объеме. Наилучшим возможным вариантом для получения хорошего, надежного электрического и механического контакта является применение большого, круглого, изготовленного обжимом кабельного наконечника, который соединяется с кабелем массы посредством обжима или пайки. Следующий шаг состоит в том, чтобы снять лак на шасси автомобиля в месте подсоединения, при этом зачищенная поверхность должна быть несколько больше наконечника кабеля массы. В соответствии с размером ушко кабельного колечка просверлить отверстие в корпусе шасси и надежно закрепить ушко кабеля массы с помощью резьбового болта, стяжной шайбы и гайки. Соединение "болт-ушко" обработать антикоррозионным средством, чтобы не допустить появления ржавчины в будущем.

Полезный совет: при монтаже устройств управления, например, CD-тюнера, эквалайзера или любого другого аудиоустройства всегда поступайте по

одному сценарию - выбирайте кратчайший путь для отдельных подключений на массу, чтобы соединить каждой устройство непосредственно с шасси автомобиля с целью минимизации паразитного контура заземления и системных шумов.

Для обеспечения надежности все клеммы подключения заземления и динамиков должны быть обжаты и/или запаяны. Убедитесь в том, что места изоляции кабелей в автомобиле не могут быть протерты насквозь на неизолированном металле. Это может стать причиной появления короткого замыкания на шасси автомобиля.

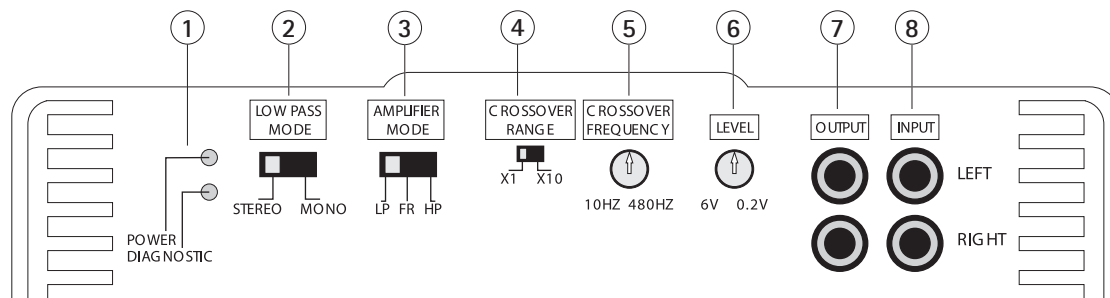
### Надежная последовательность выполнения подключения:

После того, когда будут проведены все кабели, подключить кабели динамиков к динамикам или их частотным разделительным фильтрам и усилителям. Затем проложите все кабели массы и выполните подключение провода управления включением (REM). Теперь подсоедините все кабели +12 В к усилителю(ям) и усилительным блокам, а также к держателям предохранителей. В завершение при извлеченном главном предохранителе подсоединить к батарее магистральный кабель +12 В. Тем самым, мы будем почти готовы к включению системы в работу.

### Включение системы в работу:

Изложенный ниже порядок действий кажется, на первый взгляд, излишним, однако разве будет лучше, если в первый раз включить систему, и она не будет работать надлежащим образом. Вначале сделать так, чтобы управляющее устройство, например, CD-тюнер было выключено. Затем установить на усилителе все ступенчатые регуляторы (уровень) на минимальное регулируемое значение (против часовой стрелки), включая регулятор громкости на управляющем устройстве. Все эквалайзеры установить на 0 дБ (усиление отсутствует), а все регуляторы переходной частоты активных разделительных фильтров в соответствии с рекомендациями изготовителя динамиков установить на значения частоты приближения, если вы хотите активно, полностью или частично, управлять работой акустических систем. Настроить все входные переключатели и переключатели частотных разделительных фильтров в соответствии с системными требованиями. Снять все предохранители усилителей и вставить главный предохранитель на батарею. Если предохранитель не перегорит, вы можете вставить предохранитель в один из усилителей. Система будет готова к включению. Теперь включите управляющее устройство, вставьте компакт-диск и выберите радиостанцию, поверните на более высокую громкость регулятор громкости на основном устройстве. Если у системы будет хорошее звучание, выключите основное устройство и вставляйте предохранители один за другим в остальные усилители до тех пор, пока не будет включена в работу вся система, и пока она не начнет работать надлежащим образом.

## RAV 250 2-канальный усилитель



### 1. Светодиодные индикаторы

1. POWER: загорается, когда поступит ток и устройство включится через систему управления включением.
2. DIAGNOSTICS: светодиодный индикатор диагностики загорится, как только наступит состояние неисправности.

### 2. LOW PASS MODE (режим пропускания нижних частот)

Возможность выбора режимов "стерео" или "моно".

### 3. AMPLIFIER MODE

(многопозиционный переключатель источника усиления)

1. Выбирает диапазон частот, который усиливается и направляется на динамики.
2. Настройка FR (полный диапазон) передает весь диапазон частот со входа (INPUT) на внутренние усилители.
3. HP (фильтр верхних частот) пропускает диапазон частот, который находится выше разделительной частоты, которая была установлена с помощью регулятора частоты перехода (CROSSOVER FREQ SELECT).
4. LP (фильтр нижних частот) направляет диапазон частот, который находится ниже установленной разделительной частоты, на внутренние усилители.
5. Внимание: В соответствии с маркировкой этот сигнал управляет также сигналом LINE-OUT.

### 4. CROSSOVER RANGE (частотный диапазон кроссовера)

Переключатель CROSSOVER RANGE конфигурирует частотный диапазон выхода кроссовера либо для воспроизведенного значения (x1), либо умножает его на 10 (x10).

### 5. CROSSOVER FREQUENCY (регулятор для выбора частоты перехода)

1. Точка частоты перехода настраивается посредством регулируемого сопротивления как для фильтра нижних частот, так и для фильтра верхних частот.
2. Переключатель диапазонов (CROSSOVER RANGE) представляет собой множитель для настраиваемого регулятора, а именно, для полного согласования в диапазоне 10 Гц – 480 Гц, с разделением на два диапазона.

### 6. LEVEL (уровень)

1. Согласовывает входную чувствительность усилителя с выходным уровнем радиоприемника/CD-плеера.
2. Внимание: Проверьте  $S_{ie}$  в руководстве по эксплуатации для вашего радиоприемника/CD-плеера корректное значение чувствительности уровня и соответствующим образом выполните настройку регулятора LEVEL на усилителе.

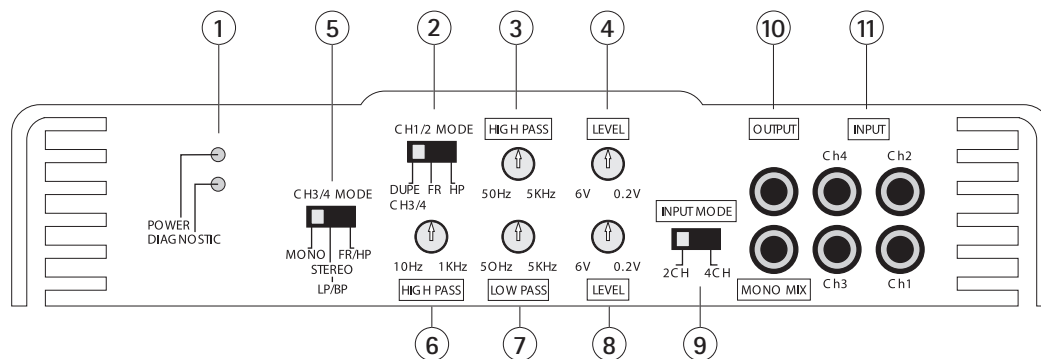
### 7. INPUT (линейный выход)

1. LEFT (левый) и RIGHT (правый) вход к усилителю для подключения Cinch-кабелей от радиоприемника/CD-плеера с диапазоном 0,2 В – 6 В.
2. Используйте адаптер уровня High / Low, если радиоприемник / CD-плеер располагает только выходами высокого уровня динамиков.

### 8. OUTPUT (линейный вход)

1. Этот Cinch-выход может управлять в системе входом других усилителей (установление очередности по методу последовательно-приоритетной цепочки).

**RAV 450 4-канальный усилитель**



**1. Светодиодные индикаторы**

1. POWER: загорается, когда поступит ток, и устройство включится посредством системы управления включением.
2. DIAGNOSTICS: светодиодный индикатор диагностики загорится, как только наступит состояние неисправности.

**2. CH 1/2 MODE (канал 1/2-режим)**

1. DUPE CH 3/4 направляет музыкальный сигнал, как было настроено в секции регулятора каналов 3/4, с удвоением на пару усилителей 1/2. Помните о том, что для этого случая уровень сигнала каналов 1 и 2 регулируется только с помощью регулятора уровня каналов 3/4, чтобы обеспечить точное дублирование музыкального сигнала каналов 3 и 4.
2. FR (FULL RANGE / полный диапазон) направляет весь частотный диапазон со входа каналов 1 & 2 (CH1/2 INPUT) на внутренние усилители.
3. HP (HIGH PASS / фильтр верхних частот) направляет частотный диапазон выше частоты, настроенной с помощью регулятора верхних частот (HIGH PASS), на внутренние усилители.

**3. CH 1/2 HIGH PASS (фильтр верхних частот)**

1. Переменный фильтр верхних частот 50 Гц - 5 кГц.
2. Эта возможность настройки может не использоваться, когда переключатель CH 1/2 MODE будет установлен в положение DUPE 3/4 или FR (Full Range/полный диапазон).

**4. CH 1/2 LEVEL (уровень сигнала)**

1. Приводит в соответствие входную чувствительность каналов 1 & 2 с уровнем выходного сигнала радиоприемника / CD-плеера.
2. Помните о том, что когда переключатель CH 1/2 MODE установлен на DUPE CH 3/4, переключатель уровней CH 1/2 LEVEL больше не оказывает никакого воздействия.

**5. CH 3/4 MODE (канал 3/4-режим)**

1. Выберите положение переключателя MONO, если вы хотите шунтировать каналы 3 & 4.
2. LP/BP (Low Pass/Bandpass, фильтр нижних частот/полосовой фильтр) направляет частотный диапазон выше частоты, установленной с помощью регулятора верхних частот (HIGH PASS), и ниже частоты, установленной с помощью регулятора нижних частот (LOW PASS), дальше на внутренние усилители. В этом режиме фильтр верхних частот представляет собой дозвуковой фильтр.

3. FR/HP (Full Range/High Pass, полный диапазон/фильтр верхних частот) обходит настройку фильтра нижних частот, и воспроизводится частотный спектр выше частоты, установленной с помощью регулятора верхних частот (HIGH PASS).

**6. 3&4 HIGH PASS (фильтр верхних частот)**

1. Этот переменный, настраиваемый в диапазоне 10 Гц – 1 кГц фильтр верхних частот постоянно соединен с парой входов каналов 3&4.
2. Так как фильтр верхних частот может быть настроен до частоты 10 Гц, он может также рассматриваться в качестве средства воспроизведения полного диапазона.
3. По причине наличия постоянной связи с каналами 3 & 4 фильтр верхних частот может использоваться в качестве дозвукового фильтра, если он настроен в диапазоне 20 Гц – 40 Гц. Кроме того, в рамках воспроизведения частот только одного определенного частотного диапазона (полосой фильтр) в сочетании с фильтром нижних частот в виде низкой или высокой разделительной частоты, когда переключатель канала 3/4-режим (CH 3/4 MODE) находится в среднем положении LP/BP.

**7. LOW PASS**

1. Фильтр нижних частот, бесступенчато регулируемый в диапазоне 50 Гц - 5 кГц.
2. Путь прохождения сигнала и режим настраиваются с помощью многопозиционного переключателя источника CH3/4 MODE и переключателей для выбора конфигурации низких частот LOW PASS .

**8. CH 3/4 LEVEL (уровень сигнала)**

1. Приводит в соответствие входную чувствительность каналов 3 & 4 с уровнем выходного сигнала радиоприемника / CD-плеера.
2. Помните о том, что когда переключатель CH 1/2 MODE установлен на DUPE CH 3/4, переключатель уровней CH 1/2 LEVEL больше не оказывает никакого воздействия, и уровень сигнала каналов 1 & 2 настраивается с помощью регулятора CH 3/4 LEVEL.

**9. INPUT MODE (режим входа)**

1. В положении 2CH все четыре канала усилителя получают сигнал, который передается через cinch-входы, обозначенные CH 1 и CH 2.
2. В положении 4CH каналы усилителя 1 & 2 получают сигнал, который передается через cinch-входы, обозначенные CH 1 и CH 2, а каналы усилителя 3 & 4 - сигнал, который передается через cinch-входы, обозначенные CH 3 и CH 4.

# ОПИСАНИЕ ПАРАМЕТРИЧЕСКИХ ДАННЫХ УСИЛИТЕЛЕЙ

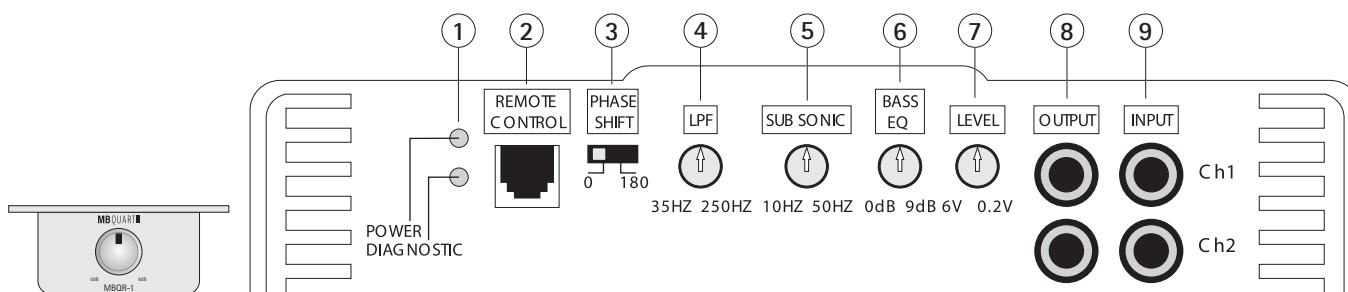
## 10. ВЫХОДНОЙ СИГНАЛ (линейный выход)

1. Через линейный выход можно в виде каскада подключить еще один усилитель и управлять им (последовательное подключение)
2. В 4-канальном режиме: установите переключатель 9 на 4CH. Все 4 канала объединяются в моносигнал и выводят его на оба линейных выхода. Этим достигается создание фронтального/заднего моносигнала для постоянного, т.е. не регулируемого микшером сабвуфера, для того чтобы подготовить сигнал для следующего сабвуферного усилителя.
3. В 2-канальном режиме: установите переключатель 9 на 2CH. В этом случае объединяются в моносигнал и выводятся на оба линейных выхода только каналы 1 и 2.

## 11. ВХОДНОЙ СИГНАЛ (линейный вход)

1. Входы усилителя для каналов 1-4 от радио/CD-плеера через разъем «тюльпан» с уровнем сигнала от 0,2 до 6 вольт.
2. Используйте адаптер для высокого/низкого уровня, если в Вашем радио/CD-плеере есть только выходы для динамика (высокий уровень).
3. В зависимости от того, как Вы оформите конструкцию системы, для корректного подключения линейного входа следуйте, пожалуйста, схематическим чертежам, описанным в разделе „Использование усилителя“ данного руководства по эксплуатации.

## RAV 1450 Mono-усилитель



### 1. Светодиодные индикаторы

1. POWER: загорается, когда поступит ток и устройство включится через систему управления включением..
2. DIAGNOSTICS: светодиодный индикатор диагностики загорится, как только наступит состояние неисправности.

### 2. BASS REMOTE (дистанционное управление низкими частотами)

Если дистанционное управление низкими частотами MBQR-1 посредством имеющегося в комплекте управляющего кабеля подключено к гнезду REMOTE, то BASS BOOST (выделение низких частот) может быть настроено в диапазоне 0 дБ – 9 дБ с помощью модуля дистанционного управления, смонтированного, например, под щитком приборов.

### 3. PHASE SHIFT (фазовый переключатель)

Фаза может переключаться в пределах 0° - 180°.

### 4. LOW PASS FILTER (фильтр нижних частот)

1. Фильтр нижних частот может бесступенчато настраиваться с помощью ручки настройки фильтра нижних частот в диапазоне 35 – 250 Гц.
2. Воспроизводятся все частоты ниже настроенной разделительной частоты.

### 5. SUBSONIC (дозвуковой фильтр)

1. Дозвуковой фильтр может быть бесступенчато настроен с помощью ручки настройки SUBSONIC в диапазоне 10-50 Гц.
2. Воспроизводятся все частоты выше настроенной разделительной частоты.

### 6. BASS EQ (подъем низких частот)

1. С помощью ручки настройки BASS EQ может быть поднят уровень низких частот при 45 Гц переменного в диапазоне 0-9 дБ.

### 7. LEVEL

1. Приводит в соответствие входную чувствительность усилителя с уровнем выхода сигнала радиоприемника / CD-плеера.
2. Примечание: Прочитайте в инструкции по эксплуатации вашего радиоприемника /CD-плеера о том, какой должна быть величина уровня сигнала, и приведите в соответствие с этим уровень сигнала на входе.

### 8. OUTPUT (линейный выход)

1. Этот выход может использоваться для передачи сигнала на следующий усилитель (Daisy Chaining / каскадирование).

### 9. INPUT (линейный вход)

1. LEFT (левый) и RIGHT (правый) вход на усилителе для подключения Cinch-кабелей радиоприемника/CD-плеера с диапазоном 0,2 – 6 В.
2. Используйте адаптер уровня High/Low, когда радиоприемник/CD-плеер имеет только (высокоуровневые) выходы динамиков.

## Настройка системы после монтажа для получения наилучшего эффекта звучания

### Общие сведения:

Как указывалось в разделе "Общая инструкция по монтажу", теперь система должна быть включена и должна работать. Все переключатели переходной частоты и входные переключатели должны быть настроены надлежащим образом на конкретный случай применения, а все регуляторы громкости, уровня и регуляторы эквалайзеров должны быть установлены на минимальную величину.

### Настройка регуляторов уровня:

Вставьте компакт-диск или кассету, которая вам хорошо известна, и которая может служить в качестве эталона. Установите регулятор громкости на управляющем устройстве примерно на 80% всего регулируемого объема. Разумеется, уровень звука системы будет очень низким, но изложенный ниже порядок действий поможет вам тщательно выполнить настройку входной чувствительности усилителя на уровень выходного сигнала управляющего устройства.

### Стандартные двухканальные устройства усиления звука (RAB 250):

Медленно поворачивайте вверх ручку регулятора уровня до тех пор, пока не услышите искажения, затем поверните ручку регулятора немного назад.

### Стандартные четырехканальные устройства усиления звука (RAB 450):

Медленно поворачивайте вверх ручку регулятора уровня для канала 1&2 до тех пор, пока не услышите искажения, затем поверните ручку регулятора немного назад.

Повторить для 3&4.

### Активные 2- или 3-канальные системы (все):

Всегда начинать с низких частот или усилителя низких частот в качестве эталона, при этом его регулятор уровня поворачивать вверх до того момента, пока не будут слышны искажения, затем ручку регулятора немного отвернуть назад.

Теперь настроить регулятор громкости для каналов высоких и низких тонов в активной 2-канальной системе, чтобы привести в соответствие высокие частоты с низкими частотами.

В активной 3-канальной системе согласовать средние частоты с низкими частотами, а затем высокие частоты привести в соответствие с диапазоном средних и низких частот. Может потребоваться повторить несколько раз настройку регуляторов средних и высоких частот, чтобы получить удовлетворительный баланс звучания.

### Тонкая настройка переходной частоты:

В разделе "Общая инструкция по монтажу" мы начали с настройки регуляторов переходной частоты на определенные положения. Теперь вы можете продолжать это согласование для получения наилучшего результата звучания. Просим обратить внимание на то, чтобы не было слишком большого отклонения от параметров переходной частоты, которые рекомендованы изготовителем динамиков, так как превышение диапазонов номинальной рабочей частоты вполне может стать причиной выхода из строя средне- и высокочастотных динамиков.

### Настройка эквалайзера:

После того когда все уровни и переходные частоты будут настроены на приятный для восприятия баланс звучания, мы можем начинать выравнивание. Просим в обязательном порядке учитывать то, что усиление, которое применяется к частоте или диапазону частот, может привести к заметному перерегулированию усилителя. Помещенные ниже примечания относятся ко всем эквалайзерам и регуляторам звука на усилителях, а также регуляторам на управляющих устройствах и эквалайзерам, смонтированным в приборную панель.

Используйте регулятор громкости на основном устройстве для того, чтобы настроить систему на среднюю громкость, и затем перейдите к тому, чтобы эквалайзеры и регуляторы звука привести в соответствие с вашими личными предпочтениями. После этого вернитесь к настройке регуляторов уровня дальше вверх и скорректируйте настройку всех регуляторов уровня.

**Откиньтесь назад и наслаждайтесь музыкой!**

## Поиск неисправностей в пределах системы

Для того чтобы определить местонахождение неисправности в пределах акустической системы, части этой системы логичным образом разделяют между собой, чтобы определить причину появления этой неисправности.

### Описание системы диагностики, встроенной во все усилители модельного ряда MB QUART:

Система диагностики держит усилитель в выключенном состоянии до тех пор, пока в результате выключения основного устройства и последующего повторного включения он не установится в начальное состояние. Это состояние функционирования отображается на панели управления посредством загорания светодиодного индикатора DIAGNOSTIC, если будет выполнено одно из следующих условий:

- 1 - Короткое замыкание на присоединительных кабелях динамиков.
- 2 - Внутренняя неполадка усилителя, которая приводит к прерыванию постоянного тока на выходе динамика.

Когда усилитель переключится в режим диагностики, просто отсоедините все cinch-кабели и кабели динамиков, но оставьте подключенными кабели +12 В, кабели массы и кабели дистанционного управления. Теперь снова включите усилитель. Если теперь загорится диагностический светодиодный индикатор, значит, на усилителе имеется внутренняя неполадка.

Если нет, то снова подключите cinch-кабели и снова включите усилитель. Если он теперь переключится в режим диагностики, неполадка будет находиться на входе либо в неисправном кабеле, либо в источнике питания.

Если после подключения cinch-кабелей будет казаться, что усилитель в порядке, подсоедините динамики либо их частотные разделительные фильтры один за другим. Если теперь будут неисправны один из динамиков или его подключения, это приведет к активированию системы диагностики.

### Перегрев радиатора усилителя:

Усилители выключаются, когда температура радиатора достигнет 80° С, и снова включатся, как только устройство охладится ниже этого предельного значения. Причины перегрева:

- 1 - Недостаточное охлаждение - установить усилитель в другом месте или выполнить монтаж по-новому, чтобы обеспечить более эффективное естественное прохождение воздуха через ребра охлаждения.
- 2 - Не принуждать к переходу высоких уровней в низкие импедансы - повернуть обратно ручку регулятора громкости, либо обеспечить то, чтобы усилитель не был нагружен меньшим, чем рекомендуется, импедансом динамиков.

### Низкая выходная мощность:

- 1 - Проверить, настроены ли регуляторы уровня надлежащим образом.
- 2 - Обеспечить то, чтобы во время выполнения замера напряжения батареи на терминалах +12 В и терминалах массы составляло не менее 11 В.
- 3 - Проверить все подключения +12 В и подключения на массу.

### Перегорают предохранители:

- 1 - Использование импедансов динамиков ниже рекомендованных минимальных значений потребляет больше тока - проверить.
- 2 - Короткое замыкание на магистральном кабеле +12 В от батареи к шасси автомобиля приводит к тому, что перегорает главный предохранитель.
- 3 - Если постоянно перегорает предохранитель усилителя и подключены только кабели +12 В, массы и управления включением (REM), возможно, неисправен усилитель.

### Система не включается:

- 1 - Проверить все предохранители.
- 2 - Проверить все клеммы.
- 3 - На терминальных устройствах напряжения замерить напряжение +12 В и напряжение включения дистанционного управления. Если напряжение будет отсутствовать, либо оно будет низким, выполнить замеры напряжения на держателях предохранителей, распределительных блоках, кабелях +12 В и кабелях дистанционного управления основного устройства, чтобы локализовать проблему.

**Проблемы, связанные с шумом:** системные шумы можно разделить на две категории: шипение и электрические интерференции.

### Шипение или белые шумы:

- 1 - сильный белый шум обычно появляется тогда, когда регуляторы уровня усилителей (уровень) настроены на слишком большую величину. Еще раз выполнить настройку в соответствии с порядком действий, изложенным в разделе "Настройка системы после монтажа для получения наилучшего эффекта звучания".
- 2 - Другая причина, которая может привести к появлению чрезмерно сильного шипения, скрывается в шипящем источнике питания – отсоединить cinch-кабели входа усилителя. Если теперь уровень шума уменьшится, значит, неисправность находится в источнике питания.

### Электрические интерференции:

Оборудование, находящееся внутри автомобиля, представляет собой, как правило, неблагоприятную среду для функционирования электрических устройств. Большое число электрических систем, например, зажигание, генератор, бензонасосы, кондиционер, это лишь несколько из многих устройств, создают электромагнитные поля, а также шумы в зоне подключения кабелей +12 В и заземления. Как всегда, в данном случае тоже нужно определить местонахождение неполадки - вначале отсоединить cinch-кабели входа усилителя. Если после этого шумы не исчезнут, проверить кабели динамиков. Если нет, снова подсоединить cinch-кабели усилителя и проверить источник, от которого запитан усилитель, всегда один компонент после другого компонента.



**Тикание или свист, которые меняются в зависимости от частоты вращения двигателя:**

- 1 - Эту проблему можно объяснить проникновением электромагнитных полей в cinch-кабели усилителя, которые, например, проходят слишком близко от бензонасоса или распределителя. Проложить кабели по-другому.
- 2 - Проверить, соединена ли клемма "земля" основного устройства непосредственно с шасси автомобиля, и не заземлена ли она через бортовую сеть.
- 3 - Попробуйте соединить основное устройство посредством кабеля +12 В напрямую с положительным полюсом батареи, вместо того, чтобы подключать его с помощью стандартной кабельной разводки/блока предохранителей в щитке приборов.

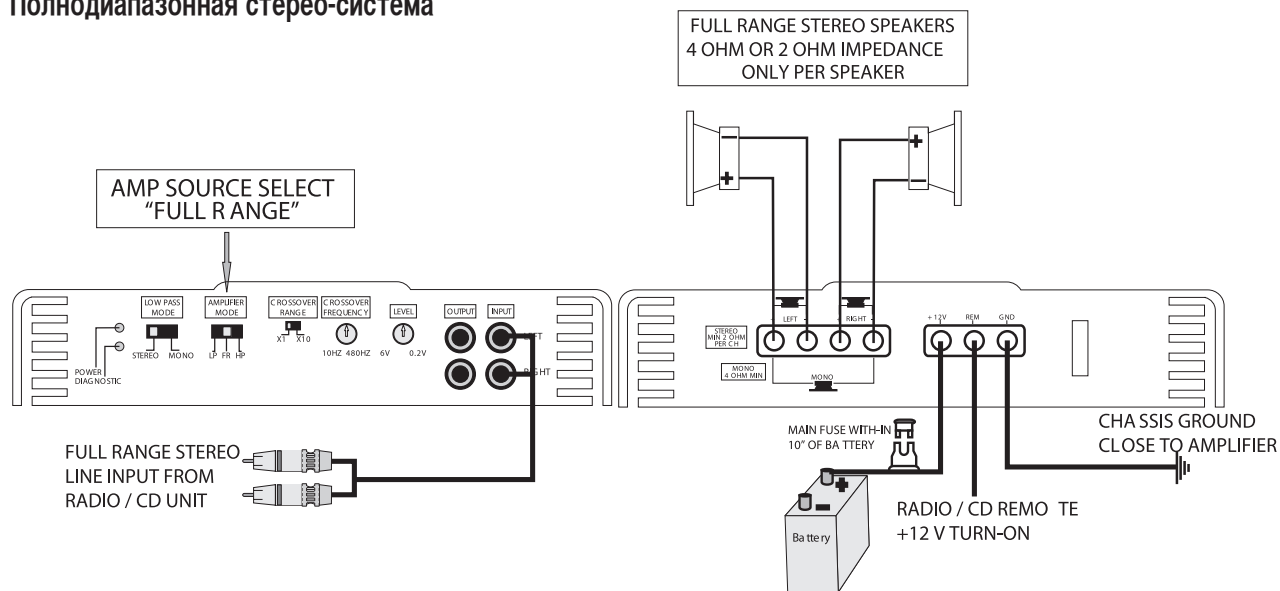
**Постоянный свист:**

Причину этого вида шумовых помех, в зависимости от обстоятельства, определить сложнее, однако обычно она создается какой-либо формой нестабильности системы, которая приводит к появлению нарушений в работе системы.

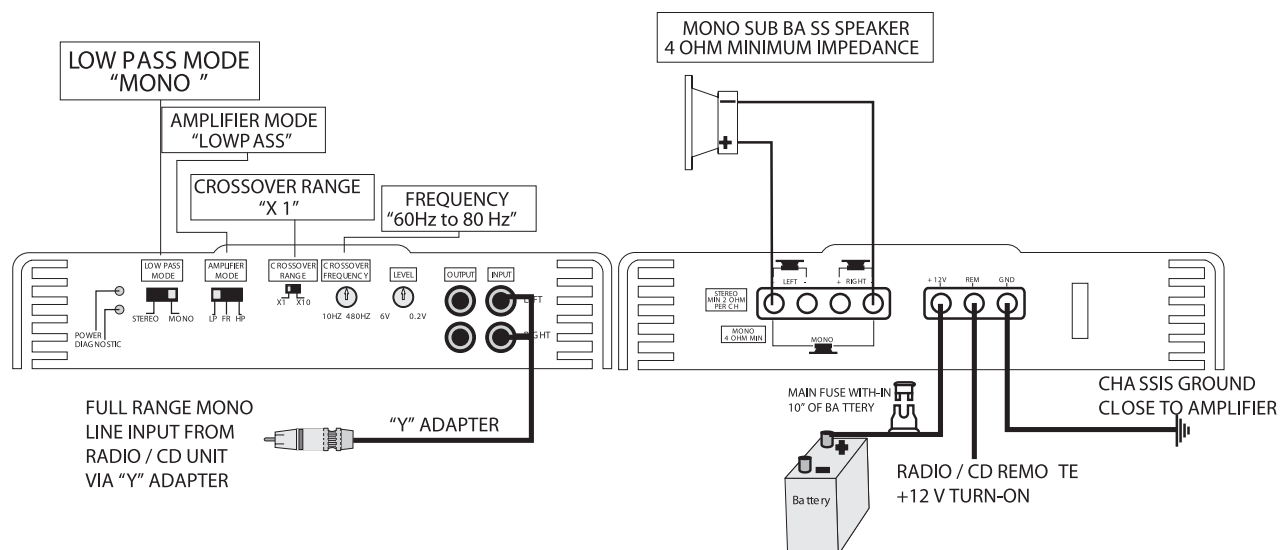
- 1 - Проверить все подключения, в особенности, относительно надежного заземления.
- 2 - Убедиться в том, что кабели динамиков, проходящие по открытой металлической поверхности не создают короткого замыкания с шасси автомобиля.
- 2- Cinch-кабели известны своей расположенностью к возникновению проблем, поэтому проверить их состояние, в частности, экранирующие соединения.

**RAB 250 2-Channel Amplifier**

**Full range stereo**  
**Vollbereichs-Stereo-System**  
**Systeme stéréo large bande**  
**Sistema de STEREO de gama completa**  
**Sistema Stereo a gamma completa**  
**Полнодиапазонная стерео-система**

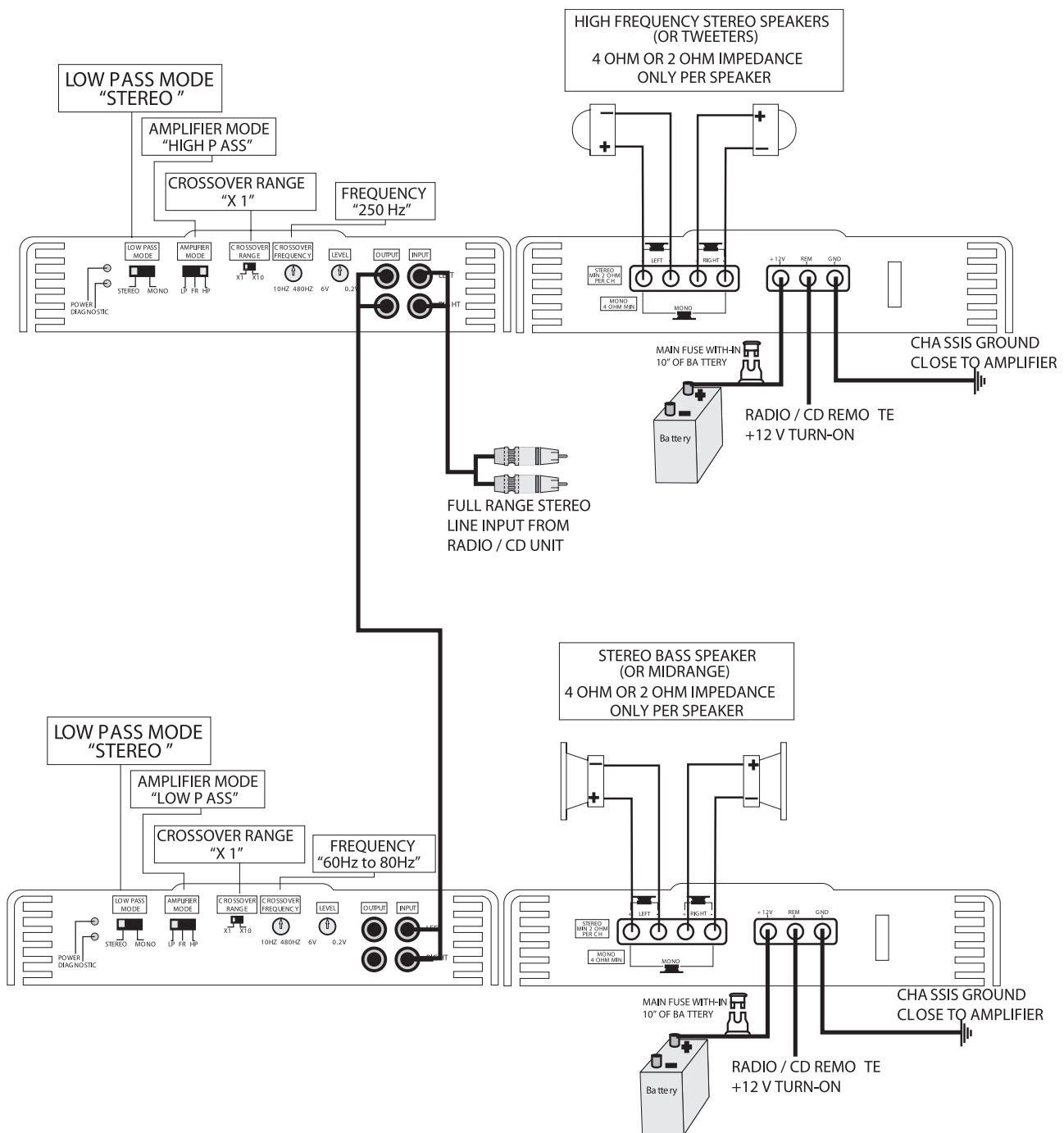


**Mono bridged for subwoofer**  
**Gebrückte Mono-Schaltung für Subwoofer**  
**Couplage mono ponté pour subwoofer**  
**Comutación Mono puentada para altavoz de graves**  
**Canale a ponte Mono per il subwoofer**  
**Перемкнутая моносхема для сабвуфера**



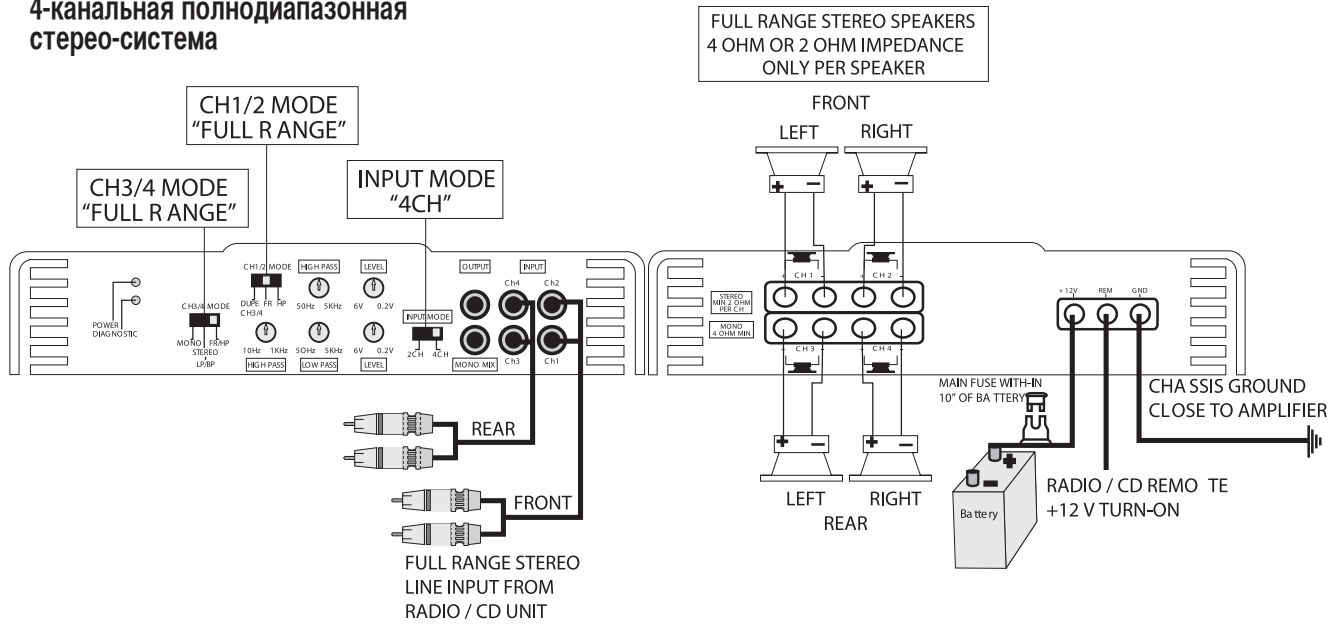
**RAB 250 2-Channel Amplifier**

**2-way active crossover system**  
**Aktives 2-Wege-Weichensystem**  
**Système de filtre actif à 2 voies**  
**Sistema de diplexor activo de 2 vías**  
**Sistema crossover attivo a due vie**  
**Активная 2-канальная система разделительных фильтров**

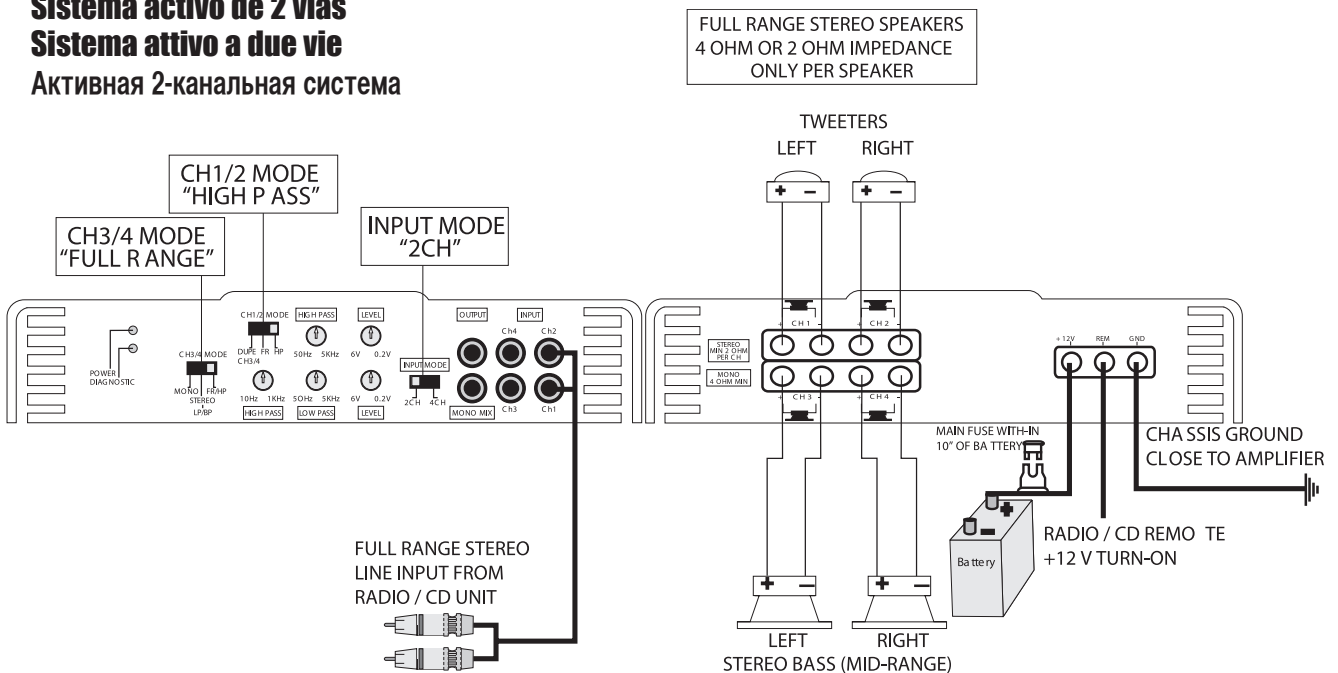


**RAB 450 4-Channel Amplifier**

**4-channel full range stereo**  
**4-Kanal-Vollbereichs-Stereo-System**  
**Systeme stéréo large bande 4 canaux**  
**Sistema STEREO de gama completa de 4 canales**  
**Sistema Stereo a quattro canali a gamma completa**  
**4-канальная полндиапазонная стерео-система**

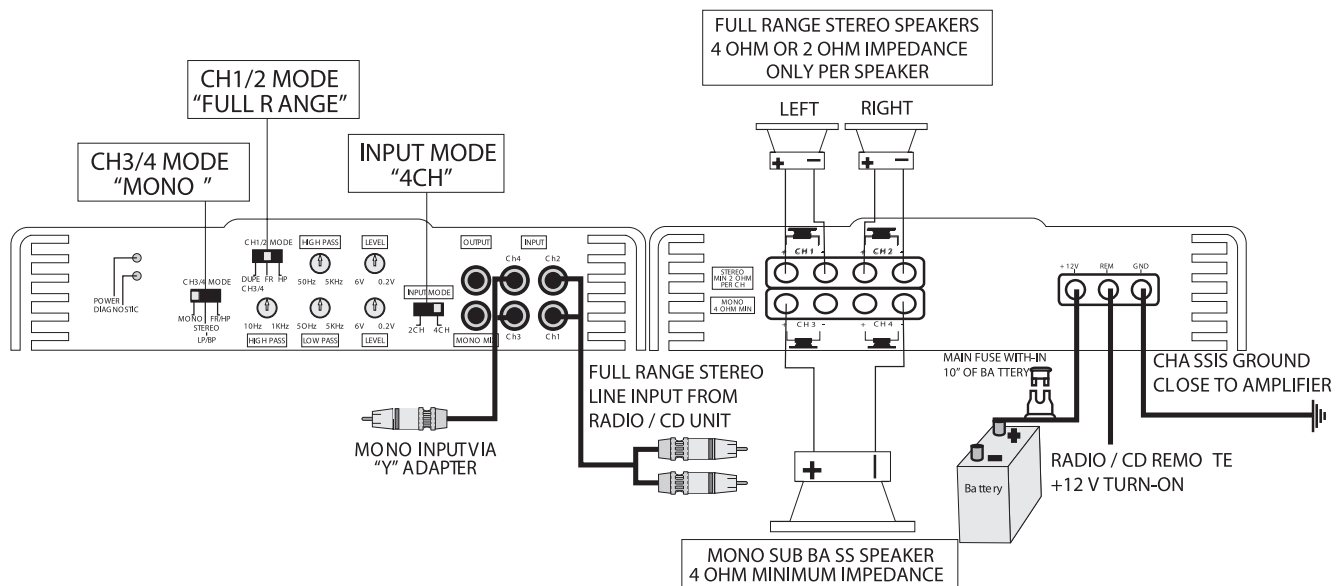


**2-way active system**  
**Aktives 2-Wege-System**  
**Systeme actif à 2 voies**  
**Sistema activo de 2 vías**  
**Sistema attivo a due vie**  
**Активная 2-канальная система**



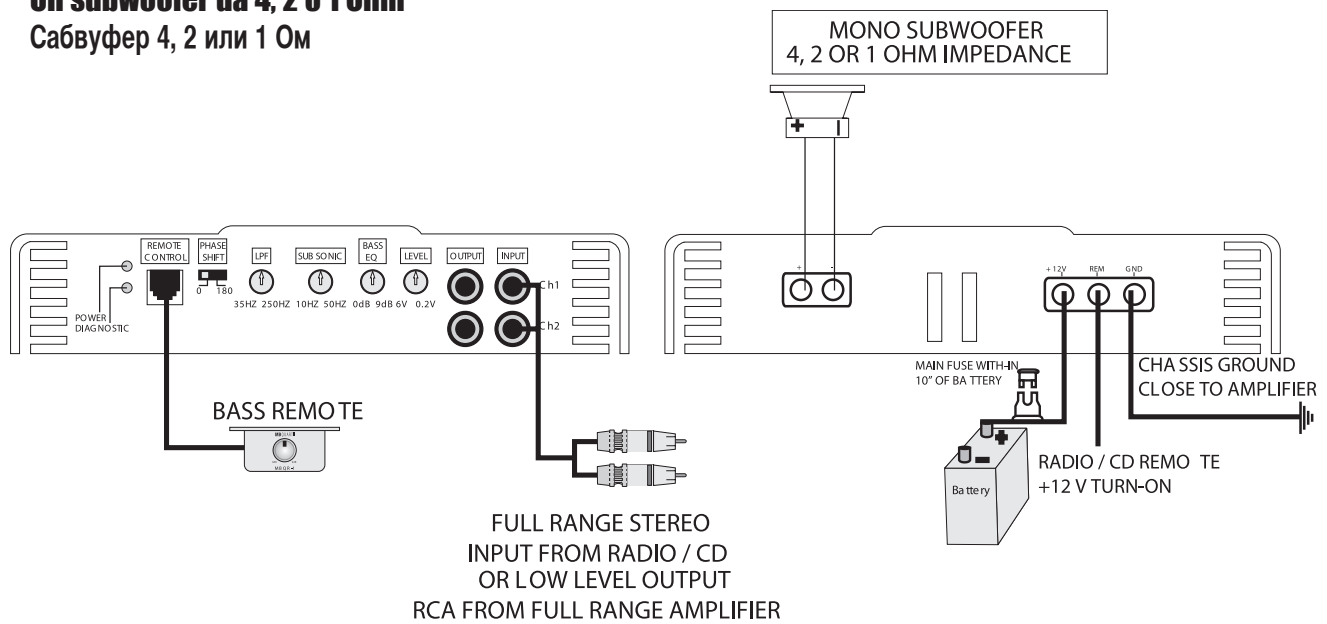
**RAB 450 4-Channel Amplifier**

**3-channel full range stereo**  
**3-Kanal-Vollbereichs-Stereo-System**  
**Système stéréo large bande 3 canaux**  
**Sistema STEREO de gama completa de 3 canales**  
**Sistema Stereo a gamma completa a tre canali**  
**3-канальная полнодиапазонная стерео-система**

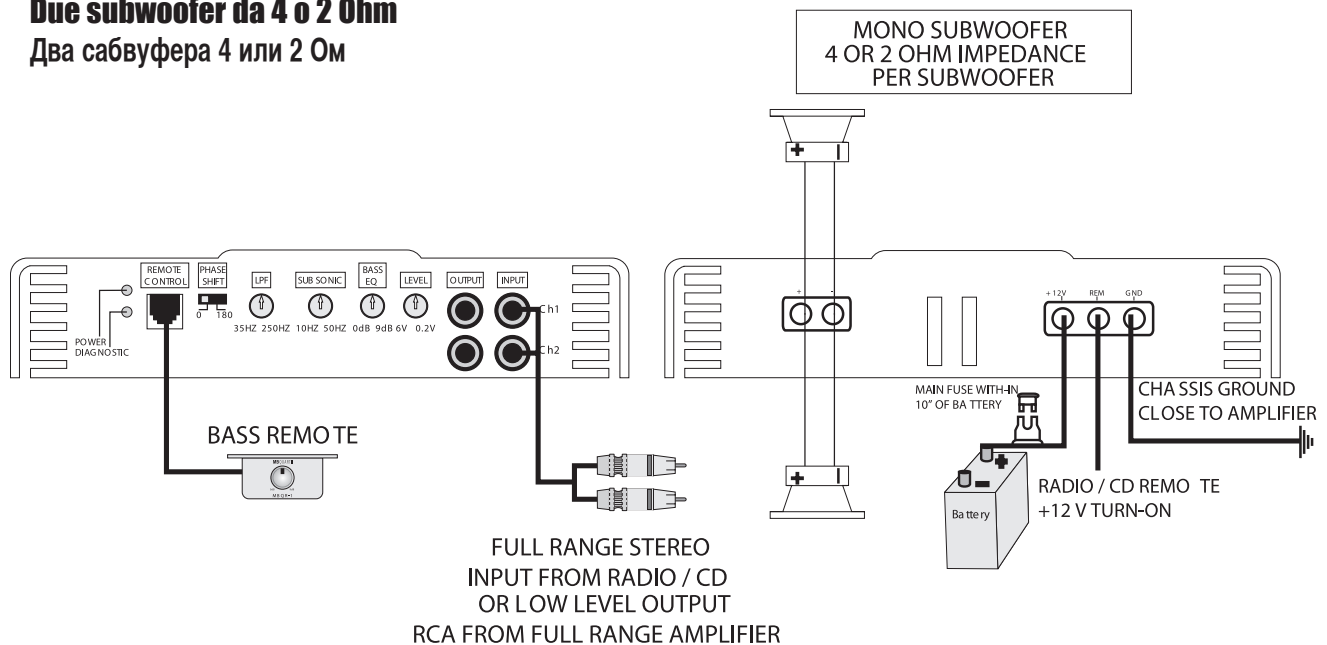


**RAB 1450 Mono Amplifier**

**One 4, 2 or 1 ohm subwoofer**  
**Ein 4, 2 oder 1 Ohm Subwoofer**  
**Un subwoofer 4, 2 ou 1 ohms**  
**Un altavoz de graves de 4, 2 ó 1 ohmios**  
**Un subwoofer da 4, 2 o 1 Ohm**  
**Сабвуфер 4, 2 или 1 Ом**



**Two 4 or 2 ohm subwoofer**  
**Zwei 4 oder 2 Ohm Subwoofer**  
**Deux subwoofers 4 ou 2 ohms**  
**Dos altavoces de graves de 4 ó 2 ohmios**  
**Due subwoofer da 4 o 2 Ohm**  
**Два сабвуфера 4 или 2 Ом**



Features	RAB 250 2-CHANNEL	RAB 450 4-CHANNEL	RAB 1450 MONO
Output power rating Watt RMS (14.4V battery)			
4-Ohms	50 x 2	50 x 4	200 x 1
2-Ohms	90 x 2	80 x 4	300 x 1
1-Ohm	-	-	450 x 1
Mono bridge at 4-Ohms	180 x 1	160 x 2	-
Miscellaneous specifications			
Slow unmute at turn on (soft start)	Yes	Yes	Yes
Frequency response, -3 dB	10Hz - 30kHz	10Hz - 30kHz	10Hz - 250Hz
Damping factor	>200	200	>250
Signal to noise ratio (A-weighted)	>95 dB	>95 dB	>95 dB
THD & N	0.05 %	0.03 %	0.10 %
Channel separation at 1 kHz	>70 dB	>70 dB	70 dB
Variable input level control	0.2 V - 6.0 V	0.2 V - 6.0 V	0.2 V - 6.0 V
Input impedance	47 kΩ	47 kΩ	47 kΩ
Power and diagnostic LED	Yes	Yes	Yes
Protection:			
DC, short, thermal, overload	Yes	Yes	Yes
Power supply, all MOSFET PWM	Yes	Yes	Yes
Audio output, all Bipolar	Yes	Yes	Yes
Crossover and switching			
Input selector switch	No	Yes	No
Channels 1/2	FULL/HP/LP	HP/FULL/LP	-
Variable high pass, 12 dB/octave	10 Hz - 4.8 kHz	50 Hz - 5.0 kHz	-
Variable Mono low pass, 24 dB/octave	-	-	35 Hz - 250 Hz
Bass boost at 45 Hz	-	-	0 - 9 dB
Subsonic	-	-	10 Hz - 50 Hz
Channels 3/4	-	HP/FULL/LP	-
Variable high pass, 12 dB/octave	-	10 Hz - 1.0 kHz	-
Variable Mono low pass, 24 dB/octave	-	50 Hz - 5.0 kHz	-
Bass boost	-	-	-
Connector types			
Unbalanced inputs (RCA)	Yes	Yes	Yes
Line output (RCA)	Selectable	Selectable	Selectable
Phone jack for remote control	No	No	Yes
Bass boost remote control Module MBQR-1	No	No	Yes
Mechanical			
Molded power terminal	8-GA (10 mm <sup>2</sup> )	8-GA (10 mm <sup>2</sup> )	4-GA (25 mm <sup>2</sup> )
Molded speaker terminals	8-GA (10 mm <sup>2</sup> )	8-GA (10 mm <sup>2</sup> )	8-GA (10 mm <sup>2</sup> )
Fuse type	ATC	ATC	ATC
Fuse Size	20 Amp	30 Amp	2 x 25 Amp

Note: All features and specifications subject to change without notice

# MBQUART

German Engineering

MAXXSONICS USA, INC.  
1290 Ensell Road  
Lake Zurich, Illinois 60047 USA  
E-Mail [info@maxxsonics.com](mailto:info@maxxsonics.com)  
Website [www.maxxsonics.com](http://www.maxxsonics.com)

MAXXSONICS EUROPE GMBH  
Neckarstrasse 20  
74847 Obrigheim, Germany  
Phone +49 (0) 62 61 - 6 38-0  
FAXX +49 (0) 62 61 - 6 38-129  
E-Mail [info@mbquart.de](mailto:info@mbquart.de)  
Website [www.mbquart.de](http://www.mbquart.de)



**RAB 250 / RAB 450 / RAB 1450**



## Free Manuals Download Website

<http://myh66.com>

<http://usermanuals.us>

<http://www.somanuals.com>

<http://www.4manuals.cc>

<http://www.manual-lib.com>

<http://www.404manual.com>

<http://www.luxmanual.com>

<http://aubethermostatmanual.com>

Golf course search by state

<http://golfingnear.com>

Email search by domain

<http://emailbydomain.com>

Auto manuals search

<http://auto.somanuals.com>

TV manuals search

<http://tv.somanuals.com>