

DTK-30

INSTALLATION MANUAL

MAXXSONICS USA, INC.
1290 Ensell Road
Lake Zurich, Illinois 60047 USA
E-Mail info@maxxsonics.com
Website www.maxxsonics.com



Congratulations!

With the purchase of an MB QUART car hi-fi tweeter / crossover combo, you have purchased a technically sophisticated, high-quality product. MB QUART feels confident that you will enjoy your new Tweeter System. If you are not having the installation carried out by an Authorized MB Quart Dealer, please read the following installation instructions carefully.

Specifications:

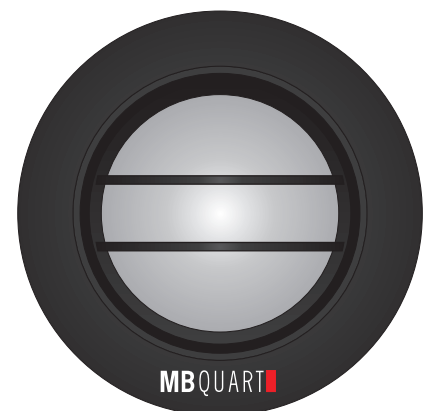
Tweeter Diameter: 1.2" / 30mm
Power Handling: 30 -70 watts
Frequency Response: < 30,000 Hz
Impedance: 4-Ohms
Crossover Frequency: 3,200 Hz

Features:

- Two 30mm WideSphere two piece Inverted Titanium Tweeters
- Best in Class Off Axis Performance
- High Energy Neodymium Tweeter Ring
- Flush and Surface Mount Adaptors
- Two 12dB WideSphere In-Line Crossovers
- Selectable 0dB, -3dB & -6dB Control

The Discus Series WideSphere's 180-degree sound dispersion technology addresses a speaker's inherent directional dispersion and beaming problems. WideSphere eliminates high frequency beaming permitting your MB Quart speakers to be positioned and mounted almost anywhere. Now you can be seated almost anywhere too.

This unique asymmetrically shaped, pure RoHs titanium based, inverted dome is bonded to MB Quart's proprietary closed-cell tangent-edge tweeter surround using aerospace adhesives. The end-result is a tweeter with off-axis dispersion 98% nearly identical to an on-axis. This outstanding off-axis performance eliminates speaker directionality and high-frequency beaming permitting you and your MB Quart speakers to be positioned almost anywhere. So now every seat is the best seat for hearing music. That is, as long as you have MB Quart loudspeaker's with WideSphere Technology.

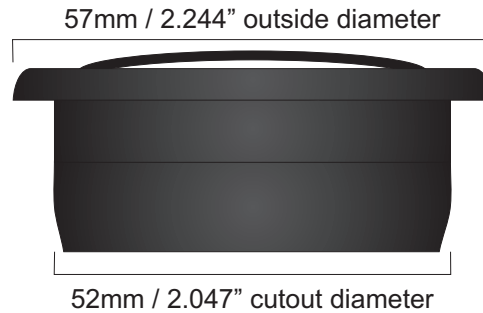


CONTENTS

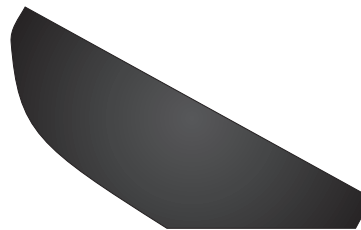
2 x Crossovers



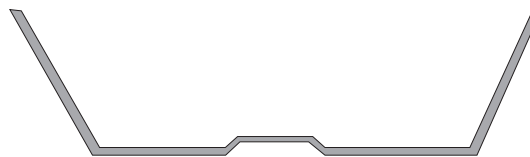
2 x Tweeter Assemblies



2 x Angle Mounting Cups



2 x Mounting Brackets



8 x Crossover Mounting Screws



8 x Crossover Mounting Washers



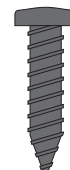
2 x Mounting Bracket Screws



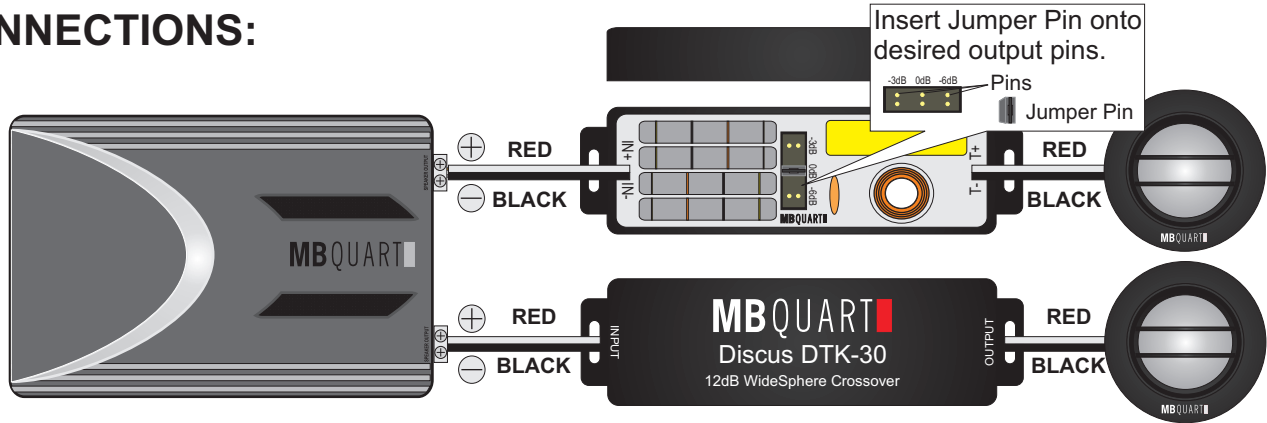
4 x Mounting Bracket Washers



4 x Cup Mounting Screws

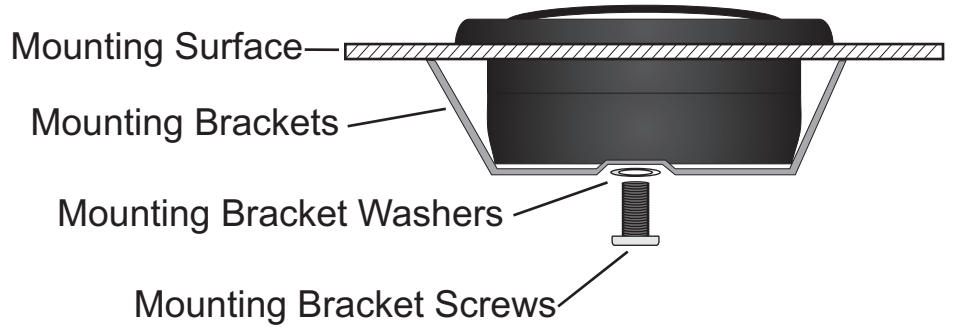


CONNECTIONS:

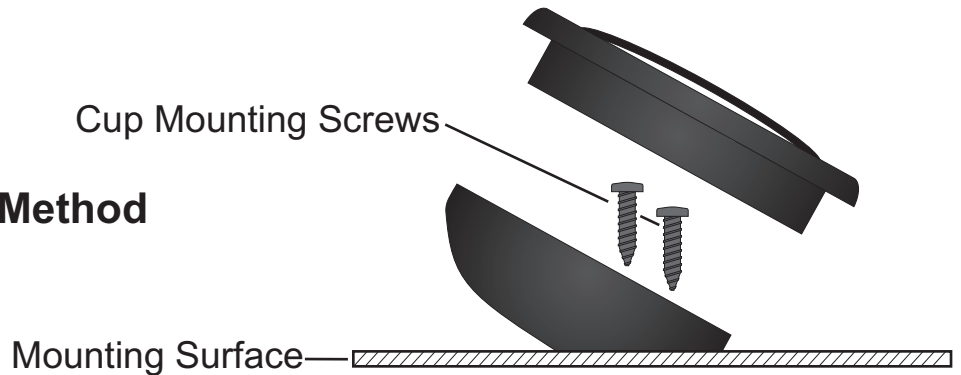


MOUNTING CONFIGURATIONS:

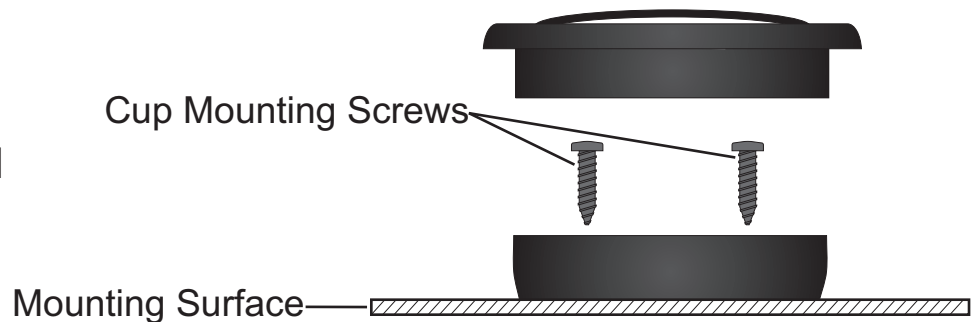
Flush Mount Method



Surface Angle Mount Method



Top Mounted Method



DTK-30

WARRANTY

MAXXSONICS USA, INC.
1290 Ensell Road
Lake Zurich, Illinois 60047 USA
E-Mail info@maxxsonics.com
Website www.maxxsonics.com



As the manufacturer of MB QUART audio products, Maxxsonics USA Inc. warrants to the original consumer purchaser of the product to be free from defects in material and workmanship for one(1) year from the date of purchase.

This product meets the current EU minimum warranty requirements, if purchased in countries of the EU.

To ensure your warranty policy, keep your original receipt proving date of purchase.

All other parts and accessories sold with this product are warranted to be free from defects in materials and workmanship for one(1) year from the date of purchase. Maxxsonics will repair or replace at it's option and free of charge during the warranty period, any system component that proves defective in materials and workmanship under normal installation, use and service provided that the product is returned to the authorized MB QUART dealer from where it was purchased.

A photo copy of the original receipt must accompany the product being returned. In the absence of the above, the warranty is one(1) year from the date of manufacture.

There is no warranty for Unauthorized Internet Sales.

Any damage to the product as a result of misuse, abuse, accident, incorrect wiring, improper installation, alteration of the date code or bar code labels, revolution, natural disaster, or any sneaky stuff because someone messed up, repair or alteration outside of our factory or Authorized Service Centers and anything else you have done that you should not have done is NOT covered.

This warranty is limited to defective parts and specifically excludes any incidental damages connected therewith. This warranty is not construed as an insurance policy.

Warranty on installation labor, removal, re-installation and freight charges are not the responsibility of Maxxsonics USA Inc.



MAXXSONICS®
MBQUART® **AUTOTEK®**
HIFONICS® **CRUNCH®**

Free Manuals Download Website

<http://myh66.com>

<http://usermanuals.us>

<http://www.somanuals.com>

<http://www.4manuals.cc>

<http://www.manual-lib.com>

<http://www.404manual.com>

<http://www.luxmanual.com>

<http://aubethermostatmanual.com>

Golf course search by state

<http://golfingnear.com>

Email search by domain

<http://emailbydomain.com>

Auto manuals search

<http://auto.somanuals.com>

TV manuals search

<http://tv.somanuals.com>