

FORMULA

FKB113 / FKB116 / FKB157
FTB169 / FSB213 / FSB216

Thank you for choosing MB Quart Formula speakers for your car audio sound system. With proper installation, you are on the path to experiencing your music in a way you only imagined possible. Here at MB Quart, we call this "Sound In Every Detail."

The Formula series speakers have been designed for the enthusiast looking for great sound at an affordable price. The Formula series speakers feature the following:

- Progressive Grill
- High Energy Magnet
- Polypropylene Cone
- Woven Tinsel Leads
- Spade Style Speaker Terminals
- 19mm Titanium Dome Tweeter
- Small Chassis Crossover For Components
- Stamped Steel Basket



FORMULA

FKB113 / FKB116 / FKB157

FTB169 / FSB213 / FSB216

As with all high quality car audio products, we recommend professional installation by an authorized MB Quart dealer. Your dealers knowledge and experience can ensure a problem free and cosmetically integrated installation.

If you choose to install the speakers yourself, please read the entire manual very carefully.

SPEAKER LOCATION AND MOUNTING TIPS

THE FIRST STEP IS THOROUGH PLANNING BEFORE THE INSTALLATION BEGINS. THE SPEAKER SCREW HOLE CONFIGURATION WILL WORK WITH MOST DOMESTIC AND FOREIGN VEHICLES. FOLLOW THESE INSTRUCTIONS CAREFULLY TO ENSURE PROPER IMAGING AND MAXXIMUM PERFORMANCE.

Factory Speaker Replacement Location and Installation

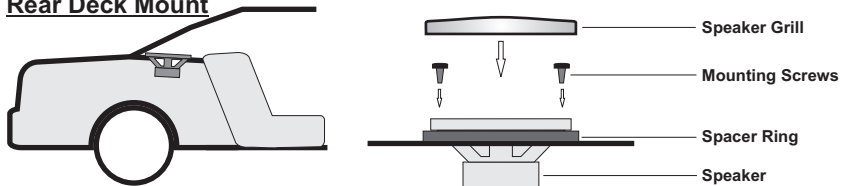
1. Before you alter the vehicles interior materials, be sure there is adequate room and clearance for the speaker depth to clear the windows and other moving parts. (See speaker measurement page).
2. If you are using the speaker wires provided in this kit, be sure to route wires through the factory door grommet as shown in the speaker mounting diagram.
3. After securing the speaker and checking clearances, connect the red/black speaker audio wires to the correct speaker + and - spade terminals.

Custom Speaker Location and Installation

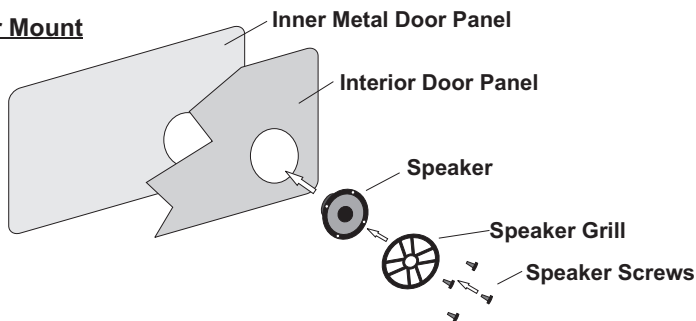
1. Follow steps 1-3 above.
2. Use the speaker mounting diagrams and speaker hole cut-out dimensions on the following pages.
3. Always mount the left and right side speakers on the same plane. This means that each speaker should be the same height from the floor and same distance from the firewall. Do not mount one speaker higher, lower, further forward or further behind the other.

COAX MOUNTING & WIRING PROCEDURES

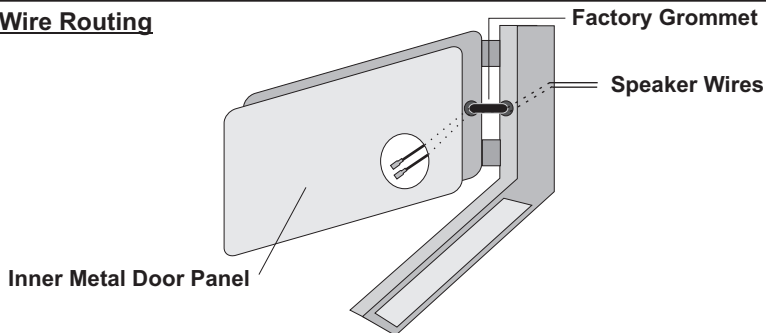
Rear Deck Mount



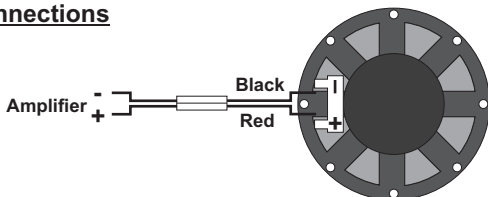
Door Mount



Wire Routing

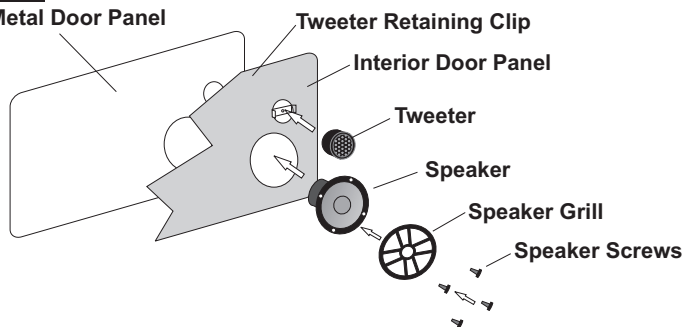


Wire Connections

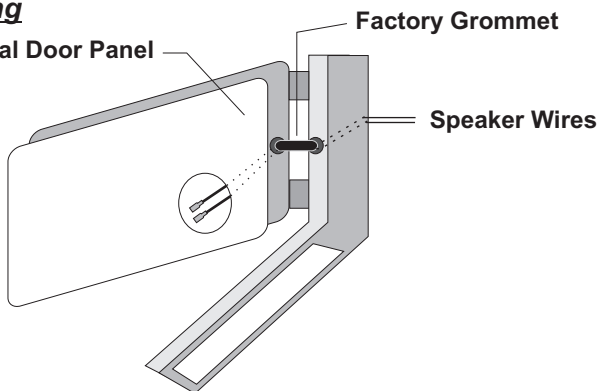
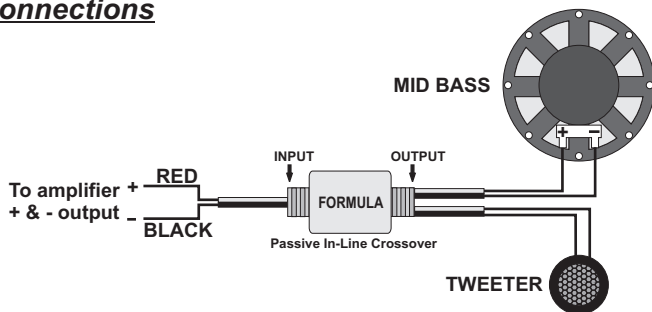


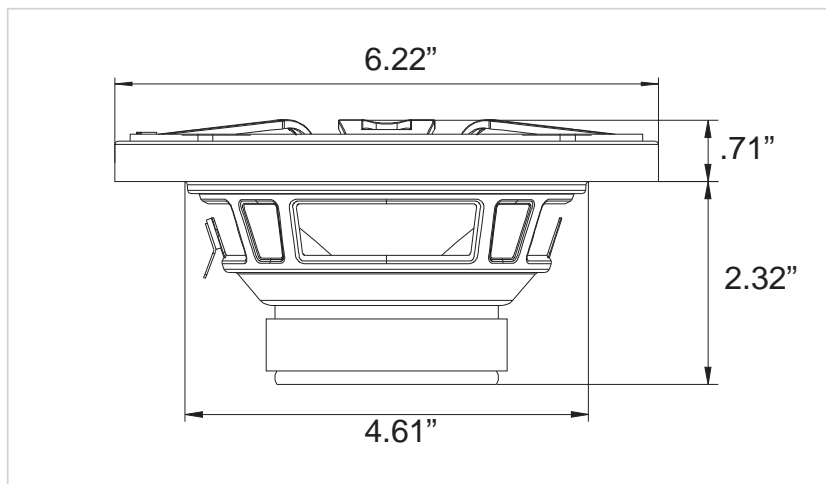
COMPONENT MOUNTING PROCEDURES**Door Mount**

Inner Metal Door Panel

**Wire Routing**

Inner Metal Door Panel

**Wire Connections**


TECHNICAL DATA

Power Rating:	30 W RMS
Peak Power:	130 W max.
Impedance:	4 ohms
Sensitivity:	84 dB (1W/1m)
Frequency Response:	58 - 32,000 Hz

COMPRISES:

2 Titanium Coated Tweeters	19mm / .75"
2 Polypropylene woofers	133.4mm / 5.25"

DATOS TÉCNICOS

Carga admisible:	30 W RMS / 130W max.
Impedancia:	4 ohmios
Potencia de servicio:	84 dB (1W/1m)
Campo de transmisión:	58 - 32,000 Hz

EQUIPAMIENTO:

2 piezas de titanio de 19mm para tonos agudos	
2 piezas de polipropileno de 133.4mm para tonos graves	

TECHNISCHE DATEN

Belastbarkeit:	30 W RMS
Impulsbelastbarkeit:	130 W max.
Impedanz:	4 ohms
Empfindlichkeit:	84 dB (1W/1m)
Übertragungsbereich:	58 - 32.000 Hz

BESTÜCKUNG:

2 Titanbeschichteter Hochtöner	19mm
2 Polypropylentieftöner	133.4mm

DATI TECNICI

Potenza:	30 W RMS / 130 W max.
Impedenza:	4 ohm
Sensibilità:	84 dB (1W/1m)
Risposta in frequenza:	58 - 32,000 Hz

DOTAZIONE:

2 tweeter in titanio	19mm
2 woofer in polipropilene	133.4mm

CARACTÉRISTIQUES TECHNIQUES

Puissance:	30W RMS / 130W max.
Impédance:	4 ohm
Rendement:	84 dB (1W/1m)
Bande passante:	58 - 32,000Hz

EQUIPEMENT:

2 haut-parleurs d'aigus en titane	19mm
2 haut-parleurs de graves en polypropylène	133.4mm

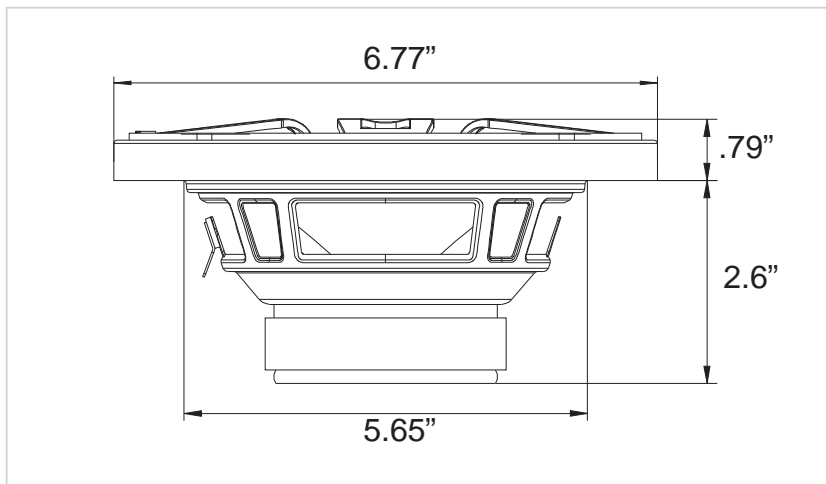
Технические Данные

Нагрузочная способность:	30 Вт RMS
	130 Вт max.
Импеданс:	4 Ом
Рабочая мощность:	84 дБ (1Вт/1м)
Диапазон передачи:	58 - 32,000 Гц

Оснащение:

2 титановых высокочастотных громкоговорителя	19мм
2 полипропиленовых низкочастотных громкоговорителя	133.4мм

Subject to technical changes · Technische Änderungen vorbehalten · Sous réserve de modifications techniques · Ci si riservano modifiche tecniche
 Reservados los cambios técnicos · Производитель оставляет за собой право на технические изменения

**TECHNICAL DATA**

Power Rating:	40 W RMS
Peak Power:	150 W max.
Impedance:	4 ohms
Sensitivity:	88 dB (1W/1m)
Frequency Response:	50 - 32,000 Hz

COMPRISING:

2 Titanium Coated Tweeters	19mm / .75"
2 Polypropylene woofers	165.1mm / 6.5"

DATOS TÉCNICOS

Carga admisible:	40 W RMS / 150W max.
Impedancia:	4 ohmios
Potencia de servicio:	88 dB (1W/1m)
Campo de transmisión:	50 - 32,000 Hz

EQUIPAMIENTO:

2 piezas de titanio de 19mm
para tonos agudos
2 piezas de polipropileno de 165.1mm
para tonos graves

TECHNISCHE DATEN

Belastbarkeit:	40 W RMS
Impulsbelastbarkeit:	150 W max.
Impedanz:	4 ohms
Empfindlichkeit:	88 dB (1W/1m)
Übertragungsbereich:	50 - 32.000 Hz

BESTÜCKUNG:

2 Titanbeschichteter Hochtöner	19mm
2 Polypropylentieftöner	165.1mm

DATI TECNICI

Potenza:	40 W RMS / 150 W max.
Impedenza:	4 ohm
Sensibilità:	88 dB (1W/1m)
Risposta in frequenza:	50 - 32,000 Hz

DOTAZIONE:

2 tweeter in titanio	19mm
2 woofer in polipropilene	165.1mm

CARACTÉRISTIQUES TECHNIQUES

Puissance:	40 W RMS / 150 W max.
Impédance:	4 ohm
Rendement:	84 dB (1W/1m)
Bande passante:	50 - 32,000 Hz

EQUIPEMENT:

2 haut-parleurs d'aigus en titane	19mm
2 haut-parleurs de graves en polypropylène	165.1mm

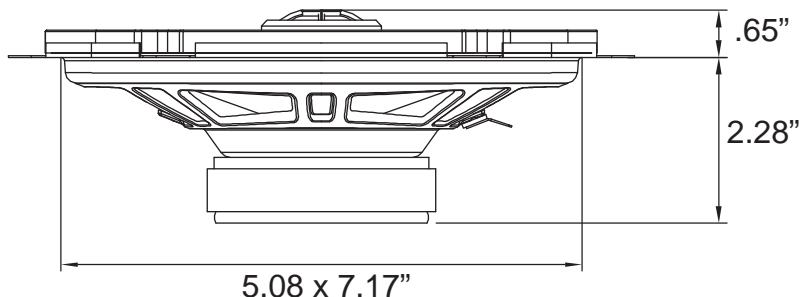
Технические Данные

Нагрузочная способность:	40 Вт RMS 150 Вт max.
Импеданс:	4 ом
Рабочая мощность:	88 дБ (1Вт/1м)
Диапазон передач:	50 - 32,000 Гц

Оснащение:

2 титановых высокочастотных громкоговорителя	19mm
2 полипропиленовых низкочастотных громкоговорителя	165.1mm

Subject to technical changes · Technische Änderungen vorbehalten · Sous réserve de modifications techniques · Ci si riservano modifiche tecniche
Reservados los cambios técnicos · Производитель оставит за собой право на технические изменения



(NO SPEAKER GRILLES WITH MODEL FKB157)

TECHNICAL DATA

Power Rating:	40 W RMS
Peak Power:	150 W max.
Impedance:	4 ohms
Sensitivity:	88 dB (1W/1m)
Frequency Response:	55 - 32,000 Hz

COMPRISING:

2 Titanium Coated Tweeters	19mm / .75"
2 Polypropylene woofers	127x177.8mm / 5x7"

DATOS TÉCNICOS

Carga admisible:	40 W RMS / 150W max.
Impedancia:	4 ohmios
Potencia de servicio:	88 dB (1W/1m)
Campo de transmisión:	55 - 32,000 Hz

EQUIPAMIENTO:

2 piezas de titanio de 19mm	
para tonos agudos	
2 piezas de polipropileno de 127x177.8mm	
para tonos graves	

TECHNISCHE DATEN

Belastbarkeit:	40 W RMS
Impulsbelastbarkeit:	150 W max.
Impedanz:	4 ohms
Empfindlichkeit:	88 dB (1W/1m)
Übertragungsbereich:	55 - 32,000 Hz

BESTÜCKUNG:

2 Titanbeschichteter Hochtoner	19mm
2 Polypropylentiefener	127x177.8mm

DATI TECNICI

Potenza:	40 W RMS / 150 W max.
Impedenza:	4 ohm
Sensibilità:	88 dB (1W/1m)
Risposta in frequenza:	55 - 32,000 Hz

DOTAZIONE:

2 tweeter in titanio	19mm
2 woofer in polipropilene	127x177.8mm

CARACTÉRISTIQUES TECHNIQUES

Puissance:	40 W RMS / 150 W max.
Impédance:	4 ohm
Rendement:	88 dB (1W/1m)
Bande passante:	55 - 32,000 Hz

EQUIPEMENT:

2 haut-parleurs d'aigus en titane	19mm
2 haut-parleurs de graves en polypropylène	127x177.8mm

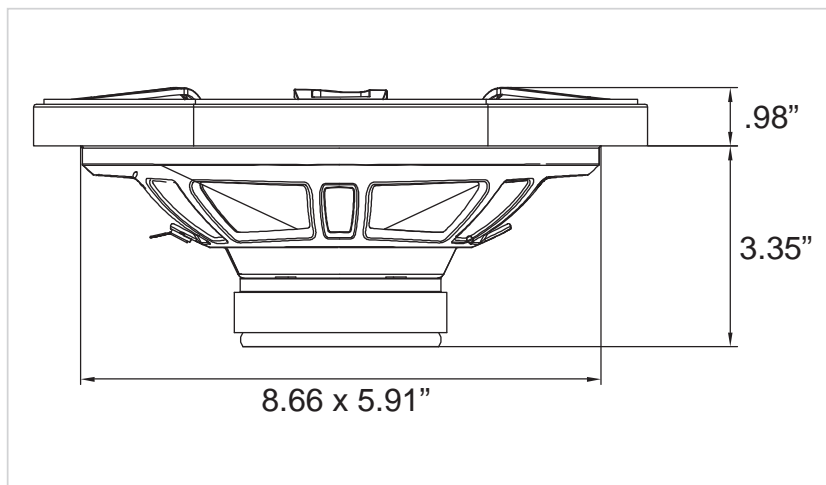
Технические Данные

Нагрузочная способность:	40 Вт RMS 150 Вт max.
Импеданс:	4 Ом
Рабочая мощность:	88 дБ (1Вт/1м)
Диапазон передачи:	55 - 32,000 Гц

Оснащение:

2 титановых высокочастотных громкоговорителя	19мм
2 полипропиленовых низкочастотных громкоговорителя	127x177.8мм

Subject to technical changes · Technische Änderungen vorbehalten · Sous réserve de modifications techniques · Ci si riservano modifiche tecniche
 Reservados los cambios técnicos · Производитель оставит за собой право на технические изменения

**TECHNICAL DATA**

Power Rating:	50 W RMS
Peak Power:	180 W max.
Impedance:	4 ohms
Sensitivity:	90 dB (1W/1m)
Frequency Response:	40 - 32,000 Hz

COMPRISING:

2 Titanium Coated Tweeters	19mm / .75"
2 Polypropylene woofers	152.4x228.6mm / 6x9"

DATOS TÉCNICOS

Carga admisible:	50 W RMS / 180W max.
Impedancia:	4 ohmios
Potencia de servicio:	90 dB (1W/1m)
Campo de transmisión:	40 - 32,000 Hz

EQUIPAMIENTO:

2 piezas de titanio de 19mm	
para tonos agudos	
2 piezas de polipropileno de 152.4x228.6mm	
para tonos graves	

TECHNISCHE DATEN

Belastbarkeit:	50 W RMS
Impulsbelastbarkeit:	180 W max.
Impedanz:	4 ohms
Empfindlichkeit:	90 dB (1W/1m)
Übertragungsbereich:	40 - 32.000 Hz

BESTÜCKUNG:

2 Titanbeschichteter Hochtöner	19mm
2 Polypropylentieföner	152.4x228.6mm

DATI TECNICI

Potenza:	50 W RMS / 180 W max.
Impedenza:	4 ohm
Sensibilità:	90dB (1W/1m)
Risposta in frequenza:	40 - 32,000 Hz

DOTAZIONE:

2 tweeter in titanio	19mm
2 woofer in polipropilene	152.4x228.6mm

CARACTÉRISTIQUES TECHNIQUES

Puissance:	50 W RMS / 180 W max.
Impédance:	4 ohm
Rendement:	90 dB (1W/1m)
Bande passante:	40 - 32,000 Hz

EQUIPEMENT:

2 haut-parleurs d'aigus en titane	19mm
2 haut-parleurs de graves en polypropylène	152.4x228.6mm

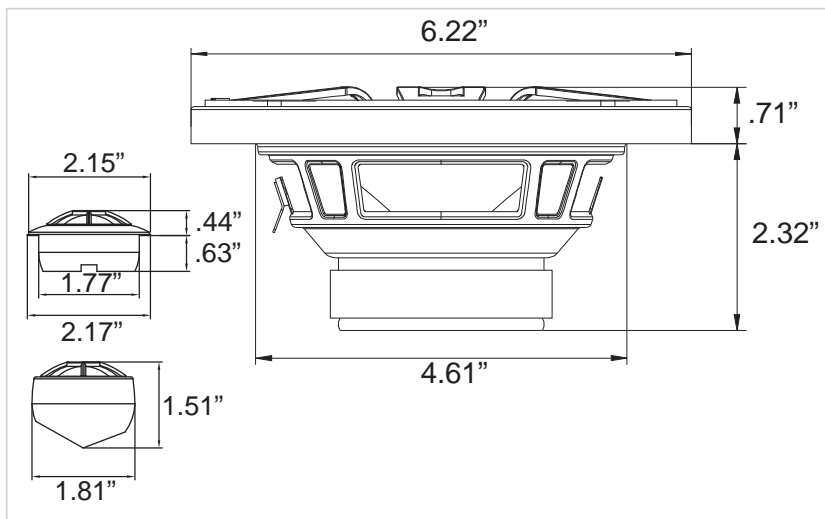
Технические Данные

Нагрузочная способность:	50 Вт RMS 180 Вт max.
Импеданс:	4 ом
Рабочая мощность:	90 дБ (1Вт/1м)
Диапазон передачи:	40 - 32,000 Гц

Оснащение:

2 титановых высокочастотных громкоговорителя	19mm
2 полипропиленовых низкочастотных громкоговорителя	152.4x228.6mm

Subject to technical changes · Technische Änderungen vorbehalten · Sous réserve de modifications techniques · Ci si riservano modifiche tecniche
Reservados los cambios técnicos · Производитель оставит за собой право на технические изменения


TECHNICAL DATA

Power Rating:	30 W RMS
Peak Power:	130 W max.
Impedance:	4 ohms
Sensitivity:	84 dB (1W/1m)
Frequency Response:	58 - 32,000 Hz

COMPRISES:

2 Titanium Coated Tweeters	19mm / .75"
2 Polypropylene woofers	133.4mm / 5.25"

DATOS TÉCNICOS

Carga admisible:	30 W RMS / 130W max.
Impedancia:	4 ohmios
Potencia de servicio:	84 dB (1W/1m)
Campo de transmisión:	58 - 32,000 Hz

EQUIPAMIENTO:

2 piezas de titanio de 19mm para tonos agudos
 2 piezas de polipropileno de 133.4mm para tonos graves

TECHNISCHE DATEN

Belastbarkeit:	30 W RMS
Impulsbelastbarkeit:	130 W max.
Impedanz:	4 ohms
Empfindlichkeit:	84 dB (1W/1m)
Übertragungsbereich:	58 - 32.000 Hz

BESTÜCKUNG:

2 Titanbeschichteter Hochtöner	19mm
2 Polypropylentieftöner	133.4mm

DATI TECNICI

Potenza:	30 W RMS / 130 W max.
Impedenza:	4 ohm
Sensibilità:	84 dB (1W/1m)
Risposta in frequenza:	58 - 32,000 Hz

DOTAZIONE:

2 tweeter in titanio	19mm
2 woofer in polipropilene	133.4mm

CARACTÉRISTIQUES TECHNIQUES

Puissance:	30 W RMS / 130 W max.
Impédance:	4 ohm
Rendement:	84 dB (1W/1m)
Bande passante:	58 - 32,000 Hz

EQUIPEMENT:

2 haut-parleurs d'aigues en titane	19mm
2 haut-parleurs de graves en polypropylène	133.4mm

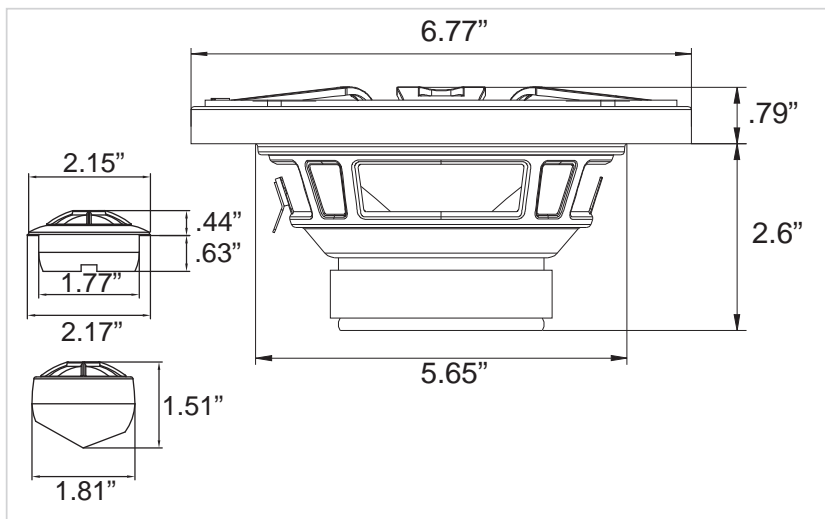
Технические Данные

Нагрузочная способность:	30 Вт RMS / 130 Вт max.
Импеданс:	4 Ом
Рабочая мощность:	84 дБ (1Вт/1м)
Диапазон передачи:	58 - 32,000 Гц

Оснащение:

2 титановых высокочастотных громкоговорителя	19mm
2 полипропиленовых низкочастотных громкоговорителя	133.4mm

Subject to technical changes · Technische Änderungen vorbehalten · Sous réserve de modifications techniques · Ci si riservano modifiche tecniche
 Reservados los cambios técnicos · Производитель оставляет за собой право на технические изменения



TECHNICAL DATA

Power Rating:	40 W RMS
Peak Power:	150 W max.
Impedance:	4 ohms
Sensitivity:	86 dB (1W/1m)
Frequency Response:	50 - 32,000 Hz

COMPISING:

2 Titanium Coated Tweeters	19mm / .75"
2 Polypropylene woofers	165.1mm / 6.5"

DATOS TÉCNICOS

Carga admisible:	40 W RMS / 150W max.
Impedancia:	4 ohmios
Potencia de servicio:	86 dB (1W/1m)
Campo de transmisión:	50 - 32,000 Hz

EQUIPAMIENTO:

2 piezas de titanio de 19mm para tonos agudos
2 piezas de polipropileno de 165.1mm para tonos graves

TECHNISCHE DATEN

Belastbarkeit:	40 W RMS
Impulsbelastbarkeit:	150 W max.
Impedanz:	4 ohms
Empfindlichkeit:	86 dB (1W/1m)
Übertragungsbereich:	50 - 32,000 Hz

BESTÜCKUNG:

2 Titanbeschichteter Hochtöner	19mm
2 Polypropylentieftöner	165.1mm

DATI TECNICI

Potenza:	40 W RMS / 150 W max.
Impedenza:	4 ohm
Sensibilità:	86 dB (1W/1m)
Risposta in frequenza:	50 - 32,000 Hz

DOTAZIONE:

2 tweeter in titanio	19mm
2 woofer in polipropilene	165.1mm

CARACTÉRISTIQUES TECHNIQUES

Puissance:	40 W RMS / 150 W max.
Impédance:	4 ohm
Rendement:	86 dB (1W/1m)
Bande passante:	50 - 32,000 Hz

EQUIPEMENT:

2 haut-parleurs d'aigus en titane	19mm
2 haut-parleurs de graves en polypropylène	165.1mm

Технические Данные

Нагрузочная способность:	40 Вт RMS / 150 Вт max.
Импеданс:	4 Ом
Рабочая мощность:	86 дБ (1Вт/1м)
Диапазон передачи:	50 - 32,000 Гц

Оснащение:

2 титановых высокочастотных громкоговорителя	19мм
2 полипропиленовых низкочастотных громкоговорителя	165.1мм

Subject to technical changes · Technische Änderungen vorbehalten · Sous réserve de modifications techniques · Ci si riservano modifiche tecniche
Reservados los cambios técnicos · Производитель оставляет за собой право на технические изменения

**Be sure to check us out at
www.youtube.com/maxxsonicsusainc
for product reviews and tutorials for
getting the most out of your audio system.**



FORMULA

FKB113 / FKB116 / FKB157
FTB169 / FSB213 / FSB216

WARRANTY

As the manufacturer of MB QUART car audio products, Maxxsonics USA Inc. warrants to the original consumer purchaser of the product to be free from defects in material and workmanship for one(1) year from the date of purchase.

This product meets the current EU minimum warranty requirements, if purchased in countries of the EU.

To ensure your warranty policy, keep your original receipt proving date of purchase.

All other parts and accessories sold with this product are warranted to be free from defects in materials and workmanship for one(1) year from the date of purchase. Maxxsonics will repair or replace at it's option and free of charge during the warranty period, any system component that proves defective in materials and workmanship under normal installation, use and service provided that the product is returned to the authorized MB QUART dealer from where it was purchased.

A photo copy of the original receipt must accompany the product being returned. In the absence of the above, the warranty is one(1) year from the date of manufacture.

There is no warranty for Unauthorized Internet Sales.

Any damage to the product as a result of misuse, abuse, accident, incorrect wiring, improper installation, alteration of the date code or bar code labels, revolution, natural disaster, or any sneaky stuff because someone messed up, repair or alteration outside of our factory or Authorized Service Centers and anything else you have done that you should not have done is NOT covered.

This warranty is limited to defective parts and specifically excludes any incidental damages connected therewith. This warranty is not construed as an insurance policy.

Warranty on installation labor, removal, re-installation and freight charges are not the responsibility of Maxxsonics USA Inc.



Free Manuals Download Website

<http://myh66.com>

<http://usermanuals.us>

<http://www.somanuals.com>

<http://www.4manuals.cc>

<http://www.manual-lib.com>

<http://www.404manual.com>

<http://www.luxmanual.com>

<http://aubethermostatmanual.com>

Golf course search by state

<http://golfingnear.com>

Email search by domain

<http://emailbydomain.com>

Auto manuals search

<http://auto.somanuals.com>

TV manuals search

<http://tv.somanuals.com>