

WASHER

Repair Parts List

MODEL NUMBER

AW26L3HSK

When requesting service or ordering parts, always provide the following information:

- Product Type
- Part Number
- Model Number
- Part Description

MAYTAG®

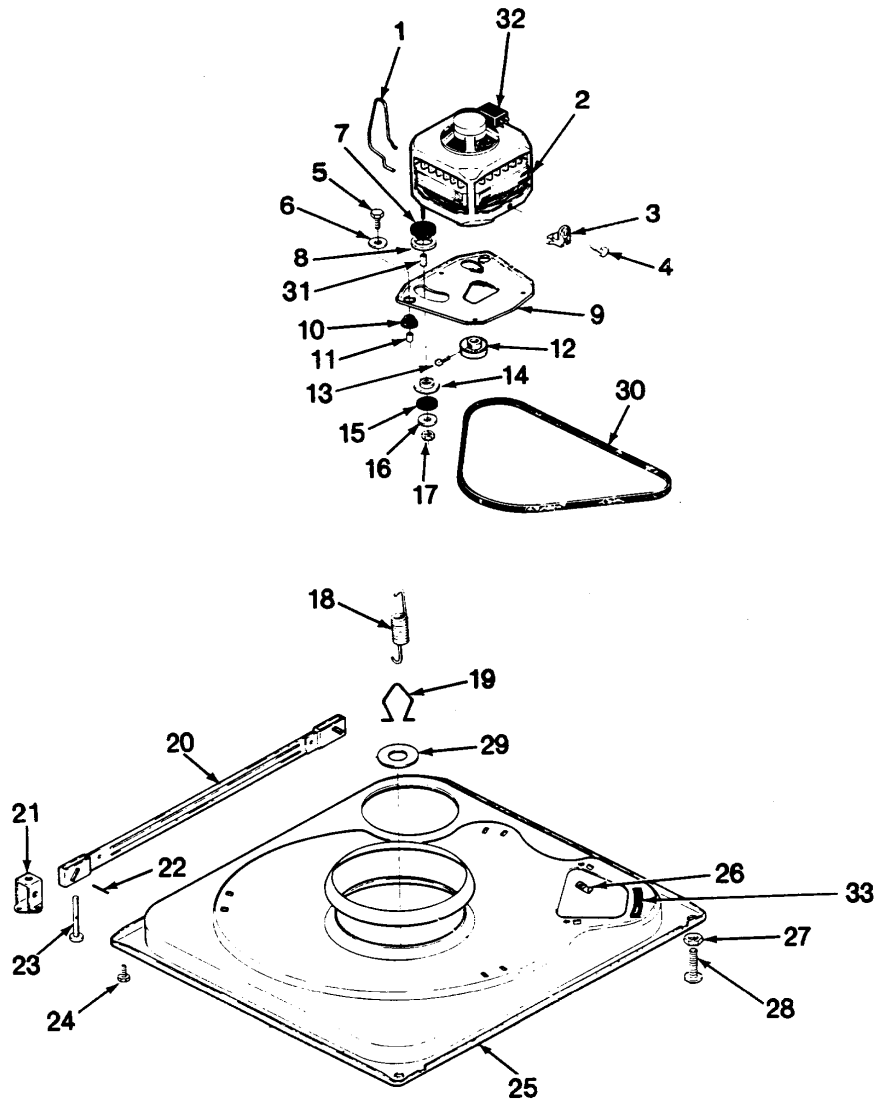
©2005 Maytag Services

Section: BASE & DRIVE

Model: AW26L3HSK

Section: BASE & DRIVE

Models: AW26L3SK



11/91

A14D4

Section: BASE & DRIVE

No.	Part No.	Description	Series Qty
1	35-0235	SPRING, MOTOR PIVOT	1
-	LA-2003	MOTOR REPLACEMENT KIT	1
2	35-2215	MOTOR	1
3	N 33-9945	SLIDE, FOOT	1
4	25-7418	SCREW PURCHASE	1
5	25-7833	SCREW	2
6	25-7834	WASHER	2
7	33-9946	ISOLATOR, MOTOR	2
8	33-9944	WASHER	2
9	35-2810	PLATE, MOTOR	1
10	33-9941	ISOLATOR, MOTOR PLATE	2
11	25-7831	SPACER	2
12	35-2124	PULLEY, MOTOR (60HZ)	1
13	25-7117	SET SCREW	1
14	33-9943	MOTOR SLIDE	2
15	33-9967	WASHER, MOTOR ISOLATOR	2
16	25-7047	WASHER, FLAT	2
17	25-7325	NUT, MOTOR PLATE ASY TO MOTOR	2
18	N 35-2681	SPRING, SUSPENSION	3
19	35-2976	HOOK, SUSPENSION SPRING	3
20	35-2049	BAR, STABILIZER (WITH GUIDE)	1
21	35-2046	BRACKET, STABILIZER	2
22	35-2052	PIN, STABILIZER	2
23	35-2050	FOOT, SELF STABILIZER	2
24	35-2039	PAD, FOOT	2
24	25-7828	SCREW, #10 TORQ LIMITING	2
25	N 35-2984	BASE	1
26	25-7838	SPEEDNUT	2
27	N 25-7915	HEX NUT	2
-	35-0837	PAD, FRONT FOOT	2
28	35-0772	FOOT, FRONT	2
29	N 25-7951	WASHER, SUSPENSION HOOK	3
30	35-2320	BELT, DRIVE PULLEY	1
31	25-7830	SPACER	2
32	33-9765	SWITCH, MOTOR	1
33	35-2065	PAD, MOTOR PLATE	1

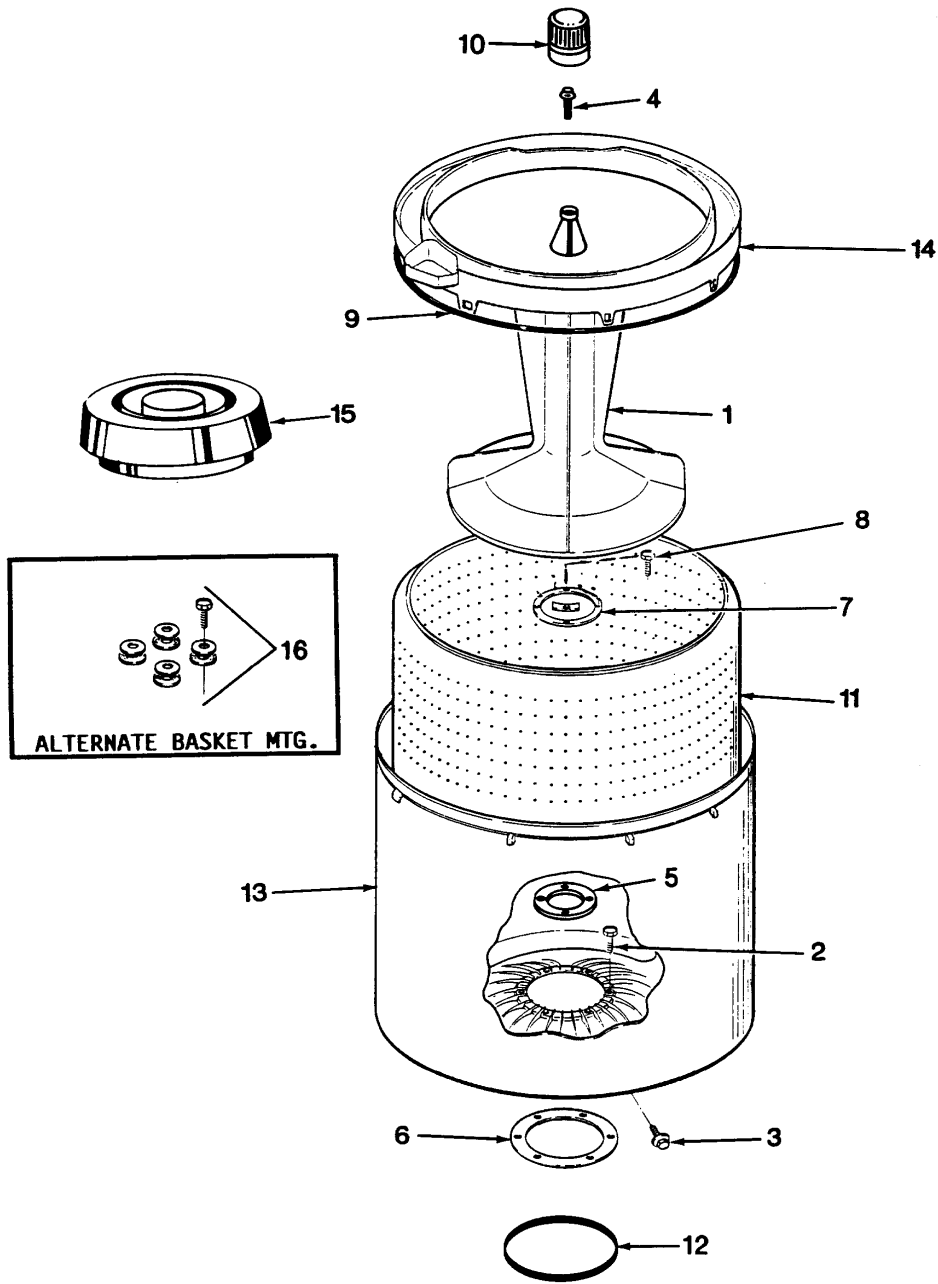
*Color Code (-)=Not Shown #=Series, Serial Prefix or Run No., N=Not Available

Section: TUB

Model: AW26L3HSK

Section: TUB

Models: AW26L3SK



11/91

A14D6

Section: TUB

No.	Part No.	Description	Series Qty
1	35-2717	AGITATOR	1
2	N 25-7949	RING, RETAINING (AG. SHAFT)	4
3	25-7953	SCREW	6
4	25-7948	SCREW, AGITATOR RETENTION	1
5	35-2980	GASKET	1
6	35-2979	GASKET, TUB/HSG (SEAL)	1
7	N 35-3014	GASKET & REINF. PLATE ASSY	1
8	25-7783	SCREW	4
9	35-2328	SEAL, TUB TOP	1
10	35-2733	CAP, AGITATOR	1
11	N 35-3016	BASKET ASSY	1
12	35-2978	SEAL, TUB/HOUSING	1
13	35-2952	TUB ASSY	1
14	35-2034	TOP, TUB	1
-	N 35-2262	SHIELD, TUB TOP	1
15	35-2550	DISPENSER, RINSE	1
16	N 35-2912	SCREW & WASHER ASSY.	1

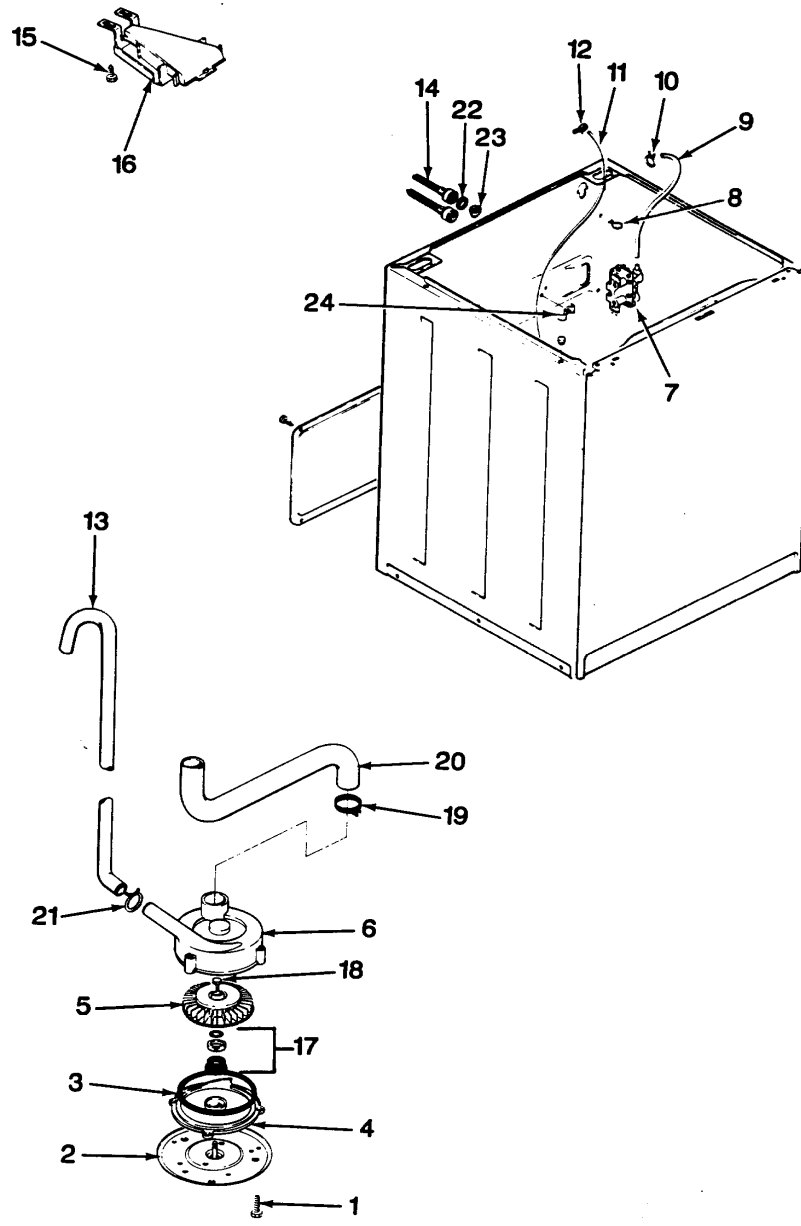
*Color Code (-)=Not Shown #=Series, Serial Prefix or Run No., N=Not Available

Section: WATER CARRYING & PUMP ASSY.

Model: AW26L3HSK

Section: WATER CARRYING & PUMP ASSEMBLY

Models: AW26L3SK



11/91

A14D8

Section: WATER CARRYING & PUMP ASSY.

No.	Part No.	Description	Series	Qty
1	N 25-7405	SCREW		4
2	N 33-6035	PLATE & PULLEY ASSY.		1
3	33-6032	GASKET		1
4	35-2058	BASE, PUMP		1
5	35-2057	IMPELLER		1
-	35-2099	PUMP ASSY (COMPLETE)		1
6	35-2056	HOUSING, PUMP		1
-	25-7220	CLIP, CABINET TOP		2
7	35-2375	VALVE, WATER MIXING-230V		1
8	25-7867	CLAMP		1
9	35-2378	HOSE, FLUME/DIVERTER (RUBBER)		1
10	25-7867	CLAMP		1
-	N 35-2261	PAD, PRESSURE SWITCH HOSE		1
11	N 35-2322	HOSE, PRESSURE SWITCH		1
12	N 33-6099	CLAMP		1
13	35-2896	DRAIN HOSE		1
-	35-0873	HOSE, INLET		1
14	35-2378	HOSE, FLUME/DIVERTER (RUBBER)		1
15	25-3092	SCREW		1
16	35-2051	FLUME, WATER INLET		1
17	N 35-0707	SEAL, SEAT & "O" RING		1
18	25-7894	SCREW		2
19	N 25-6069	CORBIN CLAMP		1
20	35-2982	HOSE TUB TO PUMP		1
21	25-7080	CLAMP, DISCHARGE HOSE		1
22	25-7048	WASHER		1
23	33-7313	STRAINER, HOSE		1
24	25-7796	CLAMP, PRESSURE SWITCH HOSE		1

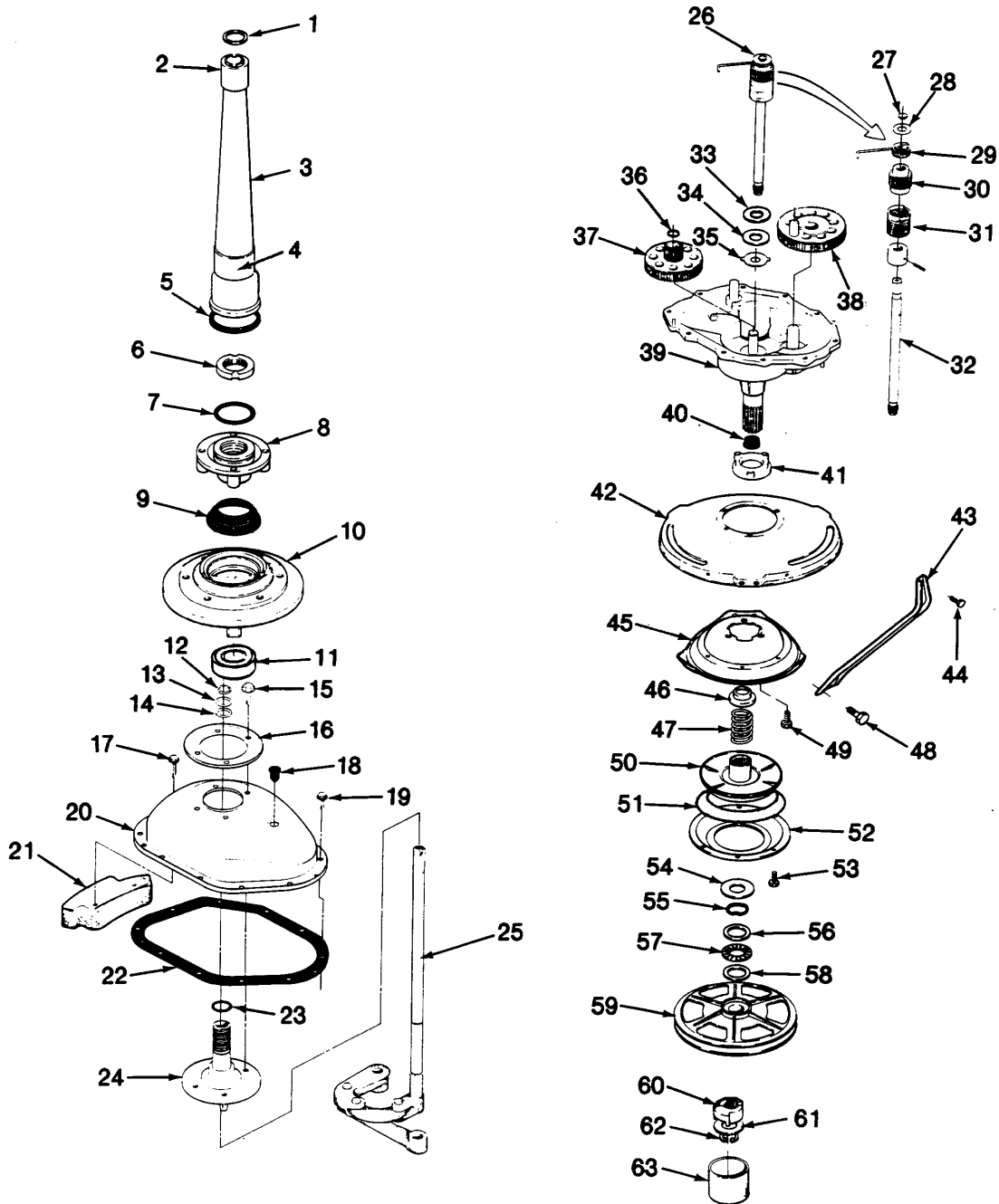
*Color Code (-)=Not Shown #=Series, Serial Prefix or Run No., N=Not Available

Section: TRANSMISSION

Model: AW26L3HSK

Section: TRANSMISSION & RELATED PARTS

Models: AW26L3SK



11/91

A14D10

Section: TRANSMISSION

No.	Part No.	Description	Series Qty
1	25-7941	"O" RING	1
2	35-2835	BEARING, CENTERPOST	1
3	35-2792	CENTERPOST	1
4	33-6790	BEARING, AGITATOR	1
- N	35-2983	CENTERPOST ASSY. Note: CENTERPOST ASSY.(ITEMS 2,3,4,)	1
5	35-2906	SEAL, CENTERPOST BOTTOM	1
6	35-2791	NUT, SPIN TUBE	1
7	25-7938	"O" RING, BASKET DRIVE HUB	1
8 N	35-2715	BASKET DRIVE HUB ASSY	1
9	35-2974	TUB SEAL/HUB ASSY(HT TRANS)--W	1
10	35-2716	HOUSING, BEARING & SEAL	1
-	35-2972	BEARING & SEAL HOUSING ASSY. Note: (ITEMS 10 & 11)	1
11	35-2205	BEARING, SPIN	1
12 N	25-7949	RING, RETAINING (AG. SHAFT)	1
13	25-7057	WASHER, FLAT	1
14	25-7051	WASHER, FLAT	1
15	25-7895	SCREW, SUSP HSG TO LWR BRG ASY	4
16 N	35-2981	COVER, REINFORCEMENT	1
17	25-7895	SCREW, SUSP HSG TO LWR BRG ASY	2
18 N	35-2621	PLUG, OIL FILL	1
19	25-7926	SCREW, COVER TO TRANS. HOUSING	10
20 N	35-2620	COVER, TRANSMISSION	1
- N	35-2971	TRANSMISSION COVER ASSY. Note: (ITEMS 15,16,20,23, & 24)	1
21 N	35-2903	COUNTERWEIGHT	1
22 N	35-1030	GASKET, TRANSMISSION HOUSING	1
23 N	25-7722	"O" RING, DRIVE TUBE	1
24	35-2708	DRIVE TUBE ASSY	1
25	35-3036	LINKAGE ASSY	1
26 N	LA-2176	CLUTCH ASSY. Note: CLUTCH ASSY.(ITEMS 27,28,29, 30, 31, & 32)	1
27 N	25-7847	RING, RETAINING (CLUTCH ASSY.)	1
28 N	25-7416	WASHER, FLAT	1
- N	25-7415	WASHER, FLAT Note: WASHER, FLAT (USE IF NEEDED)	1
29	33-6114	SPRING	1
30 N	35-2001	PINION, DRIVE	1
31	33-3195	SPRING	1
32	35-2692	DRIVE SHAFT & HUB ASSY.	1
33 N	25-7274	WASHER, STEEL	1
34	35-2817	WASHER, NYLON	1
35 N	35-2070	WASHER, STEEL W/TABS	1
36 N	25-7933	RING, RETAINING	1
37 N	35-2527	GEAR, CLUSTER	1
38 N	35-2631	GEAR, CRANK	1
39 N	35-2812	HOUSING, TRANSMISSION	1
40	35-2010	SEAL, TRANSMISSION HOUSING(LIP)	1
-	35-2973	TRANSMISSION HSG ASSY W/LWR BR Note: (ITEMS 39, 40, 41)	1
41	35-2730	BEARING ASSY. (LOWER)	1
42	35-2732	TUB SUPPORT	1
43	35-2798	TUB BRACE	3
44	25-7930	SCREW 5/16-18X3/4	6
45	35-2015	SUSPENSION HOUSING	1
46	35-2017	RETAINER, BRAKE SPRING	1
47	35-2112	SPRING, BRAKE	1
48	25-7930	SCREW 5/16-18X3/4	6
49	25-7895	SCREW, SUSP HSG TO LWR BRG ASY	3
50	35-2948	BRAKE ROTOR & LINING ASSY	1
51	35-2357	SNUBBER	1

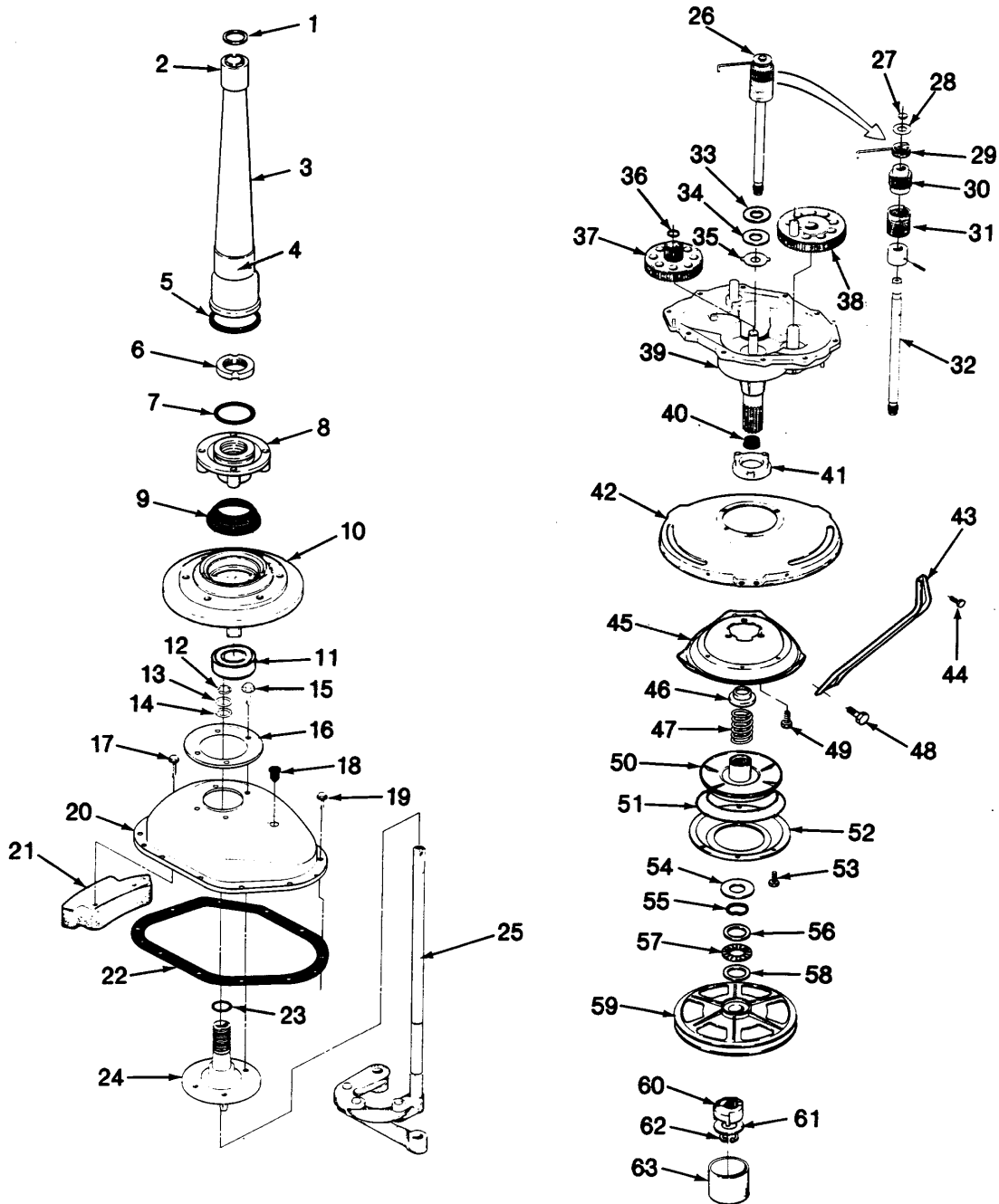
*Color Code (-)=Not Shown #=Series, Serial Prefix or Run No., N=Not Available

Section: TRANSMISSION

Model: AW26L3HSK

Section: TRANSMISSION & RELATED PARTS

Models: AW26L3SK



11/91

A14D10

Section: TRANSMISSION

No.	Part No.	Description	Series Qty
52	35-2018	STATOR, BRAKE	1
53	25-7900	SEMS	6
54	N 35-2016	SPACER-BEARING	1
55	N 25-7909	WASHER	1
56	N 35-2318	WASHER	1
57	N 35-2078	THRUST BEARING	1
58	35-2081	WASHER	1
59	35-2683	DRIVE PULLEY	1
60	35-2439	CAM, LOWER	1
-	35-2132	WASHER,1.25ODX.530IDX.032	1
61	35-2082	WASHER,1.25ODX.530IDX.062	1
62	25-7854	RING, RETAINING	1
63	35-2007	CAP, DUST	1
-	LA-2175	TRANSMISSION REPLACEMENT KIT	1

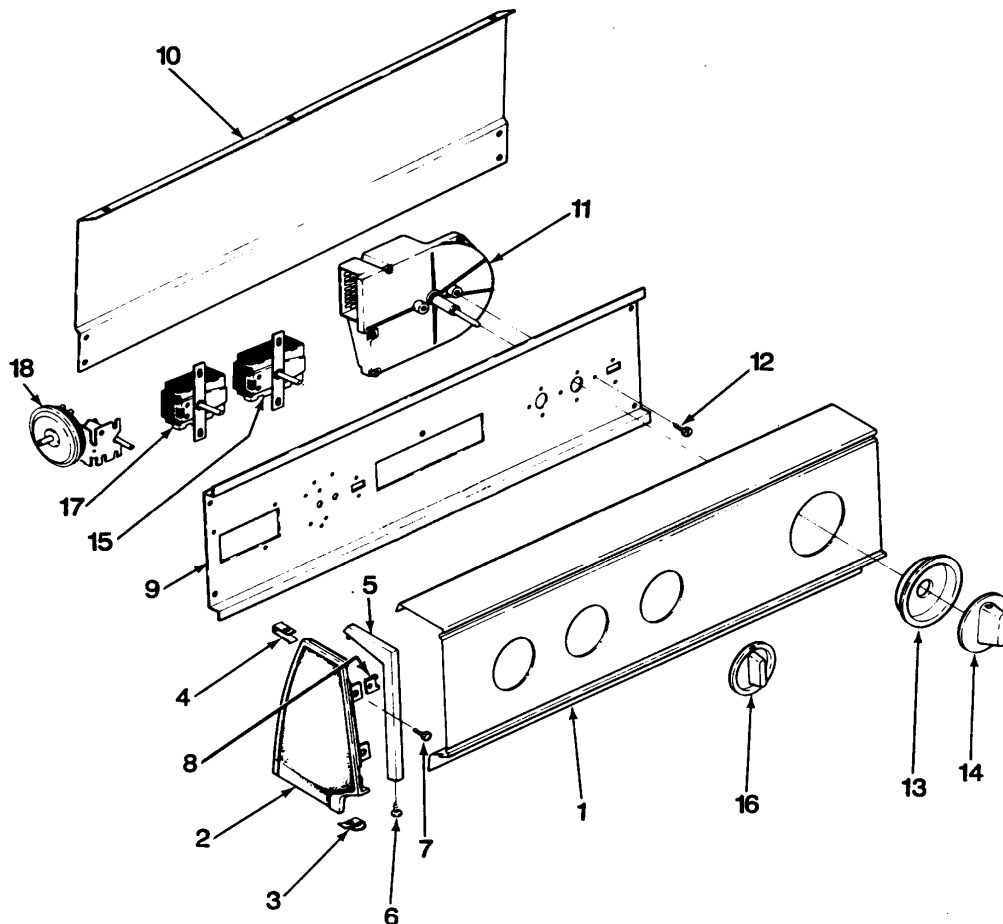
*Color Code (-)=Not Shown #=Series, Serial Prefix or Run No., N=Not Available

Section: CONTROL PANEL

Model: AW26L3HSK

Section: BACKGUARD

Models: AW26L3SK



11/91

A14D13

Section: CONTROL PANEL

No.	Part No.	Description	Series Qty
1	N 35-2852	CONTROL PANEL	1
-	25-7702	SPEEDCLIP, END CAP TO CTRL PNL	2
-	25-7793	SCREW	2
2	35-2487	CAP, END (RT)	1
2	35-2488	CAP, END (LT)	1
-	N 34-9487	PLATE, REINFORCEMENT	2
3	25-7851	SPEEDCLIP, END CAP TO TOP	2
-	25-7697	SCREW	2
4	N 25-7852	SPEEDCLIP, RR SHLD TO END CAP	1
-	25-7435	SCREW	2
5	N 53-0278	TRIM, END CAP (LT)	1
5	N 53-0277	TRIM, END CAP (RT)	1
6	N 25-7760	SCREW	4
7	25-3092	SCREW	4
8	25-7702	SPEEDCLIP, END CAP TO CTRL PNL	4
9	N 53-1676	SHIELD, CONTROL	1
-	25-3457	SCREW, SEMS	1
-	25-3092	SCREW	2
10	35-2688	SHIELD, CONTROL PANEL (REAR)	1
-	25-7853	RETAINING RING	2
11	35-2930	TIMER	1
12	25-0205	SCREW	2
13	35-2255	SKIRT & RING ASSY	1
14	35-2486	TIMER KNOB	1
15	35-2838	SWITCH	1
-	25-3092	SCREW	2
16	35-2185	KNOB, SELECTOR (BLK)	3
17	35-2619	SWITCH 4POS SPEED	1
-	25-3092	SCREW	2
18	35-3283	SWITCH, PRESSURE	1
-	25-3092	SCREW	2
-	35-2927	MANUAL, USE & CARE	1

*Color Code (-)=Not Shown #=Series, Serial Prefix or Run No., N=Not Available

Free Manuals Download Website

<http://myh66.com>

<http://usermanuals.us>

<http://www.somanuals.com>

<http://www.4manuals.cc>

<http://www.manual-lib.com>

<http://www.404manual.com>

<http://www.luxmanual.com>

<http://aubethermostatmanual.com>

Golf course search by state

<http://golfingnear.com>

Email search by domain

<http://emailbydomain.com>

Auto manuals search

<http://auto.somanuals.com>

TV manuals search

<http://tv.somanuals.com>