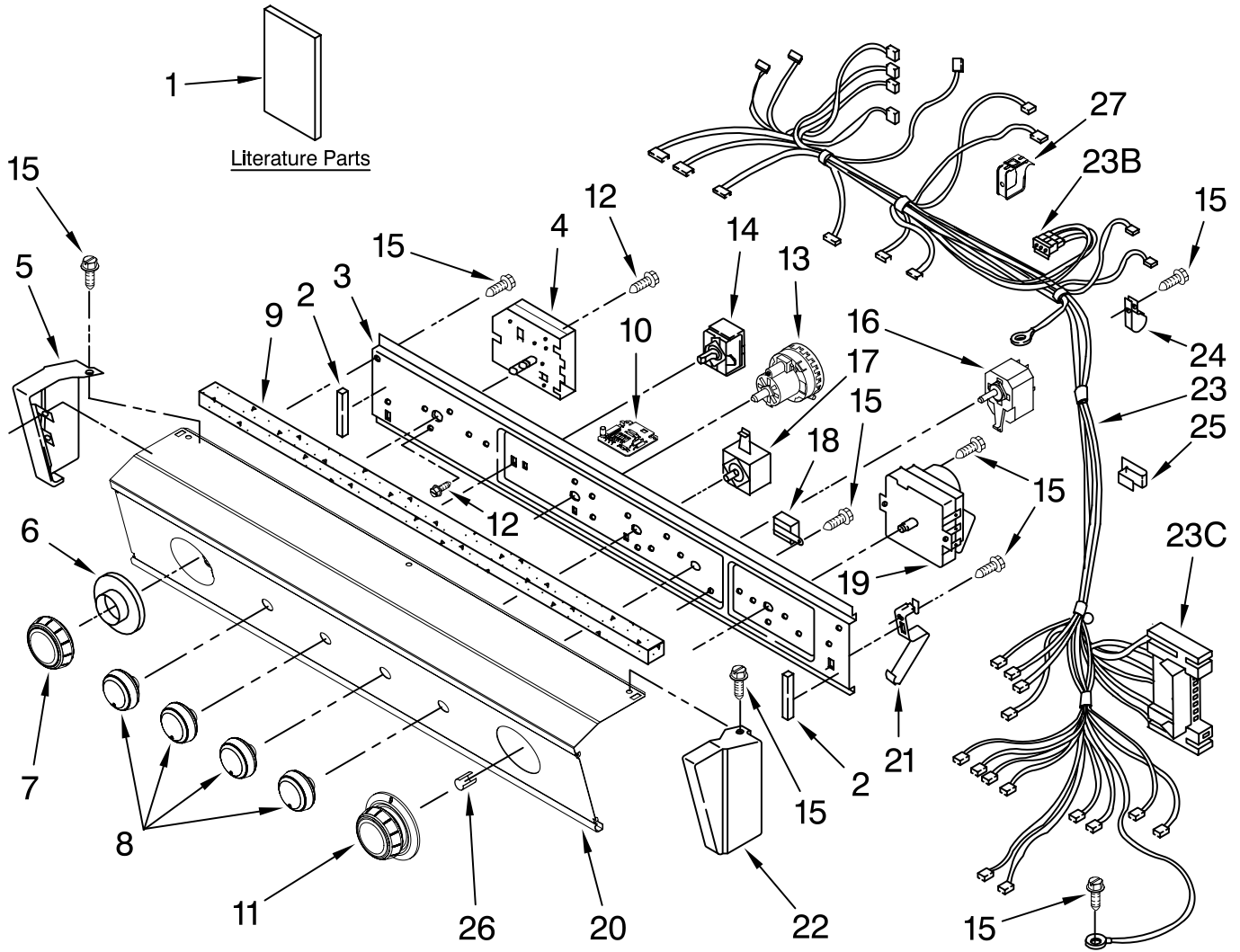


WASHER/DRYER CONTROL PANEL PARTS

WASHER/DRYER
LAUNDRY SYSTEM



For Model: MET3800TW2
(White)



Illus. No.	Part No.	DESCRIPTION
1	W10222378	Literature Parts Installation Instructions
	W10196552	Use & Care Guide Sheet,
	W10117755	Cycle Feature Wire Diagram
2	3390688	Spacer Foam Pad (2)
3	8528583	Bracket, Control (Includes Illus. 2)
4	W10124193	Timer, Washer
5	3389464	Endcap (LH)
6	W10112571	Dial, (Washer)

Illus. No.	Part No.	DESCRIPTION
7	W10110033	Knob, Timer (Washer)
8	W10110035	Knob, Control (4)
9	8521965	Gasket, Console
10	8558178	Control, C-Version
11	W10110036	Knob, Timer (Dryer)
12	3400808	Screw, 10-32 x 5/16
13	W10112533	Switch, Pressure
14	W10114118	Switch, Temperature
15	90767	Screw, 8-18 x 3/8
16	W10117655	Switch, Push-To-Start

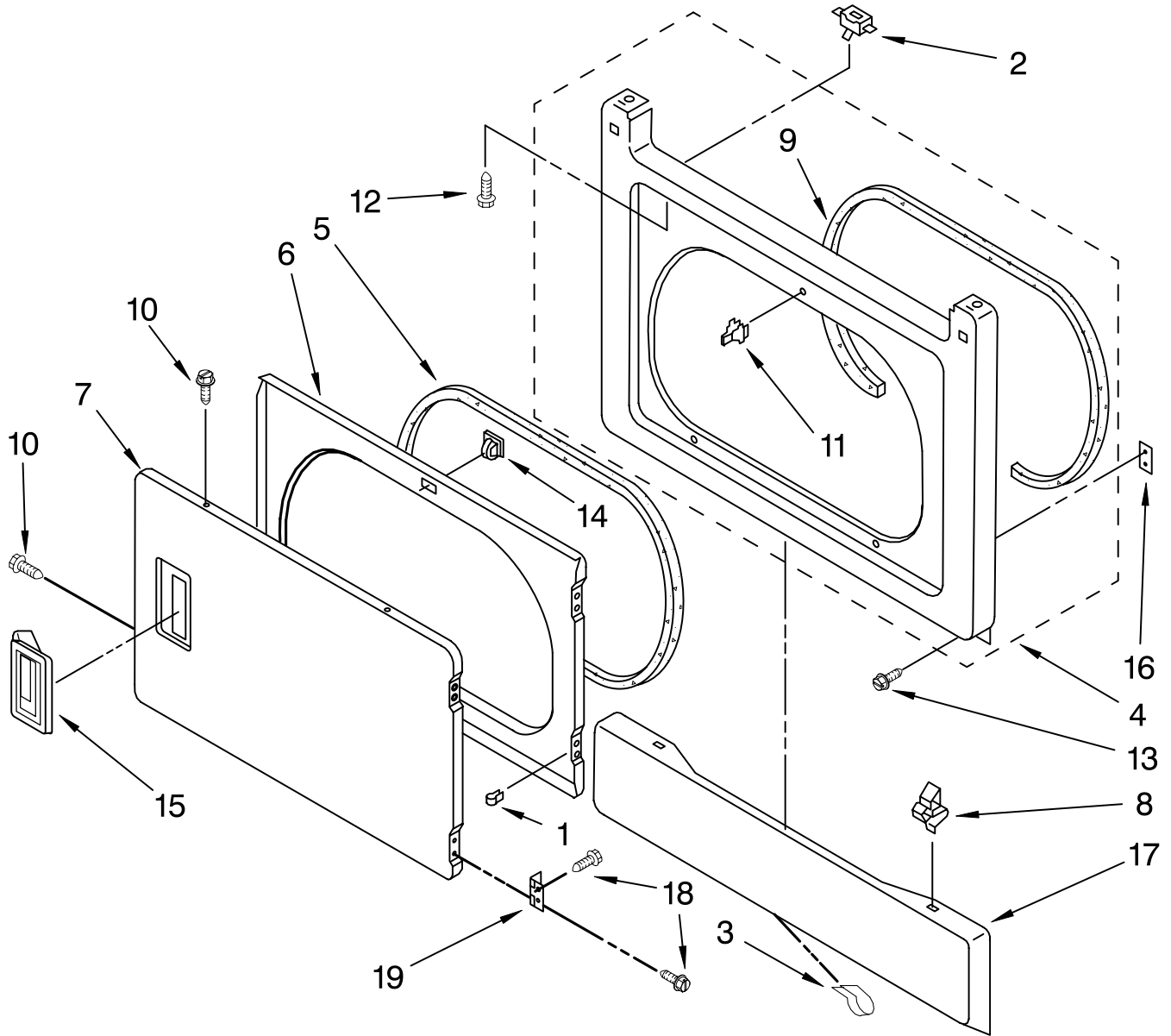
Illus. No.	Part No.	DESCRIPTION
17	3405156	Switch, Rotary
18	694419	Buzzer, Mini
19	W10113816	Timer, Dryer
20	W10124093	Panel, Control
21	3389453	Bracket, Hinge (2)
22	3389456	End Cap (RH)
23	W10139465	Harness - Dryer
23B	2154470	Receptacle, (Motor-Dryer)
23C	3395683	Connector
24	3390604	Clip, Harness
25	3390422	Clip, Harness (2)
26	8536939	Spring, Clip Knob
27	W10210799	Clip, Harness (2)

FOR ORDERING INFORMATION REFER TO PARTS PRICE LIST

DRYER FRONT PANEL AND DOOR PARTS

For Model: MET3800TW2

(White)



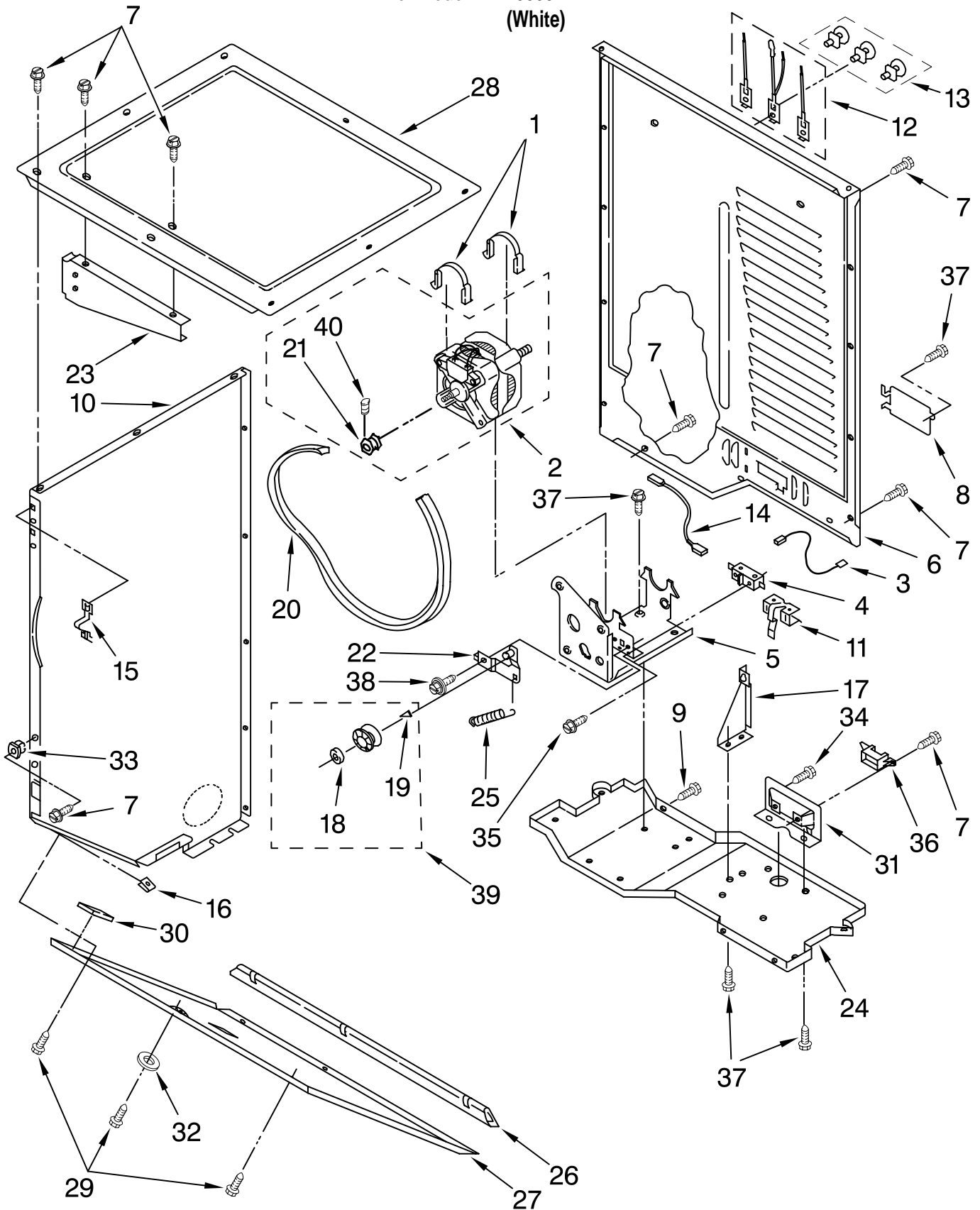
Illus. No.	Part No.	DESCRIPTION	Illus. No.	Part No.	DESCRIPTION	Illus. No.	Part No.	DESCRIPTION
1	3389249	Nut, Push (4)	8	3388229	Retainer, Toe Panel (2)	13	3393008	Screw, 10-16 x 1/2
2	3391902	Switch, Door	9	3387242	Bearing & Seal	14	3392538	Catch, Door
3	98234	Clip, Ground	10	694091	Screw, 8-18 x 3/8	15	W10116360	Handle, Door
4	3392547	Panel, Front	11	696144	Strike, Panel	16	3390902	Clip, Door Hinge (2)
5	3390735	Seal, Door	12	697773	Screw, Door Switch Mounting (2)	17	3388958	Panel, Toe
6	3392563	Door, Rear				18	342055	Screw, 8-18 x 1/2
7	3387872	Door, Front	13	3393008	Screw, 10-16 x 1/2	19	3389247	Hinge & Pin, Door (2)

FOR ORDERING INFORMATION REFER TO PARTS PRICE LIST

DRYER CABINET AND MOTOR PARTS

For Model: MET3800TW2

(White)



IMPORTANT: All Part Numbers Listed Are Whirlpool Numbers. Source Parts Through Whirlpool.

DRYER CABINET AND MOTOR PARTS

For Model: MET3800TW2

(White)

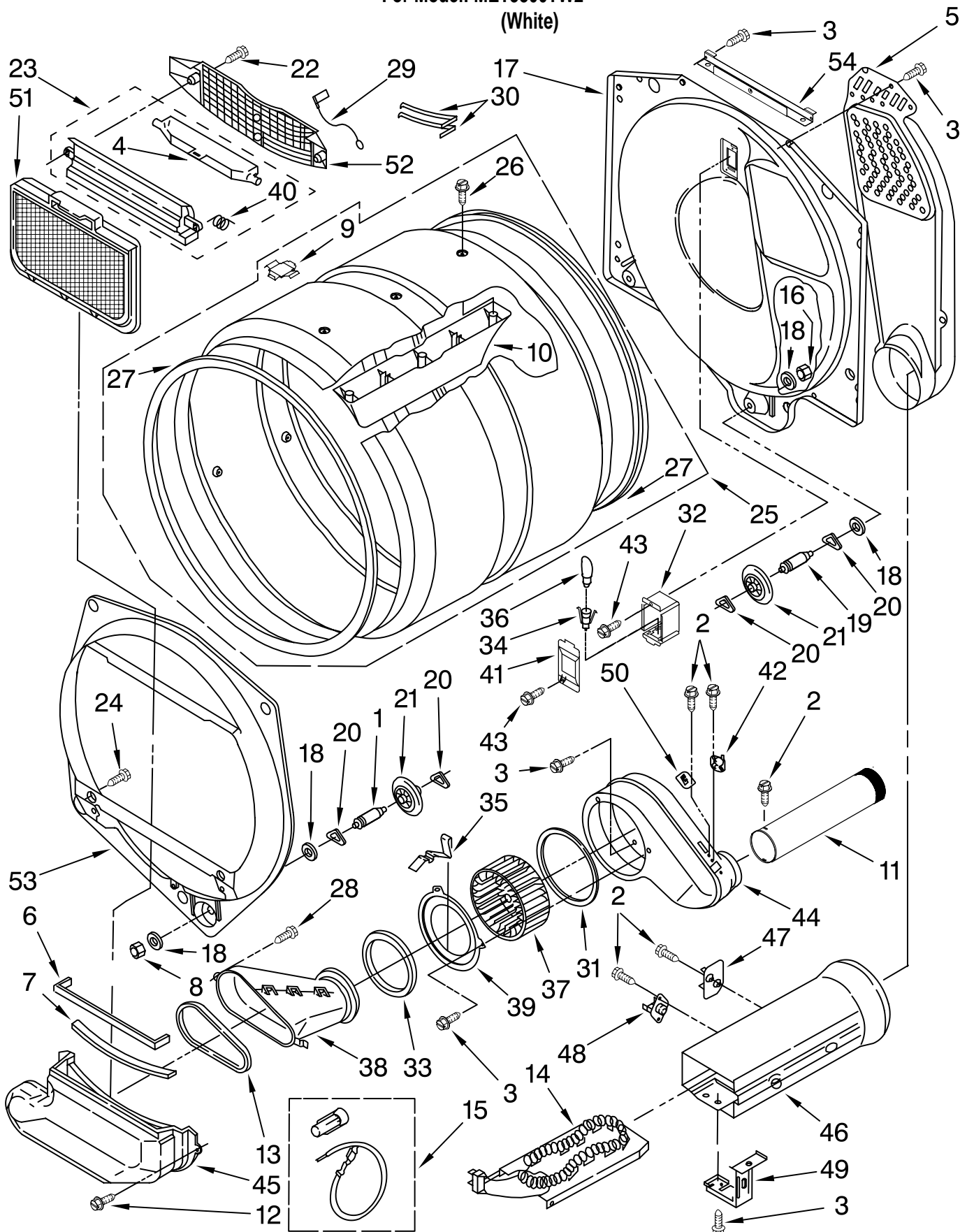
Illus. No.	Part No.	DESCRIPTION	Illus. No.	Part No.	DESCRIPTION	Illus. No.	Part No.	DESCRIPTION
1	W10121316	Clamp, Motor Mounting (2)	13	279393	Screw Kit (For Terminal Block)	25	3387374	Spring, Idler
2	8538266	Motor, Main Drive (60 Hz.)	14	W10167612	Wire, Broken Belt Switch	26	3389683	Cove, Transition Panel (Black)
3	3398948	Wire, Jumper	15	3389231	Clip, Front Panel (2)	27	3389272	Panel, Transition
4	3394881	Switch, Broken Belt	16	98234	Clip, Ground	28	3389537	Top, Dryer
5	3388858	Bracket, Motor	17	3391639	Bracket, Bulkhead	29	693304	Screw & Washer
6	3389847	Panel, Rear	18	690997	Washer, Thrust	30	3389682	Spacer (2)
7	343641	Screw, 10-16 x 1/2	19	W10121334	Tri-Ring	31	3393722	Bracket, Terminal Block
8	3387673	Cover, Terminal Block	20	3387610	Belt, Drive	32	3389431	Bumper, Lid Stop
9	8533974	Screw, Ground (10-32 x 1/2)	21	3391087	Pulley, Motor (60 Hz.)	33	692400	Nut, Push-In
10	3389264	Panel, Side (L.H.)	22	3389332	Bracket, Idler	34	3387485	Screw, 10-16 x 5/8
11	3389256	Panel, Side (R.H.)	23	3390722	Shield-Console To Drum	35	98129	Screw, 6-20 x 1-1/16
11	8066120	Lever, Snap Switch	24	3390026	Base, Dryer	36	3397659	Block, Terminal
12	279318	Terminal, Tinned & Brass (3)				37	3390631	Screw, 10-16 x 3/8
						38	3389420	Bolt, Shoulder
						39	3388672	Pulley, Idler
						40	3394743	Pin, Roll

FOR ORDERING INFORMATION REFER TO PARTS PRICE LIST

DRYER BULKHEAD PARTS

For Model: MET3800TW2

(White)



FOR ORDERING INFORMATION REFER TO PARTS PRICE LIST

DRYER BULKHEAD PARTS

For Model: MET3800TW2

(White)

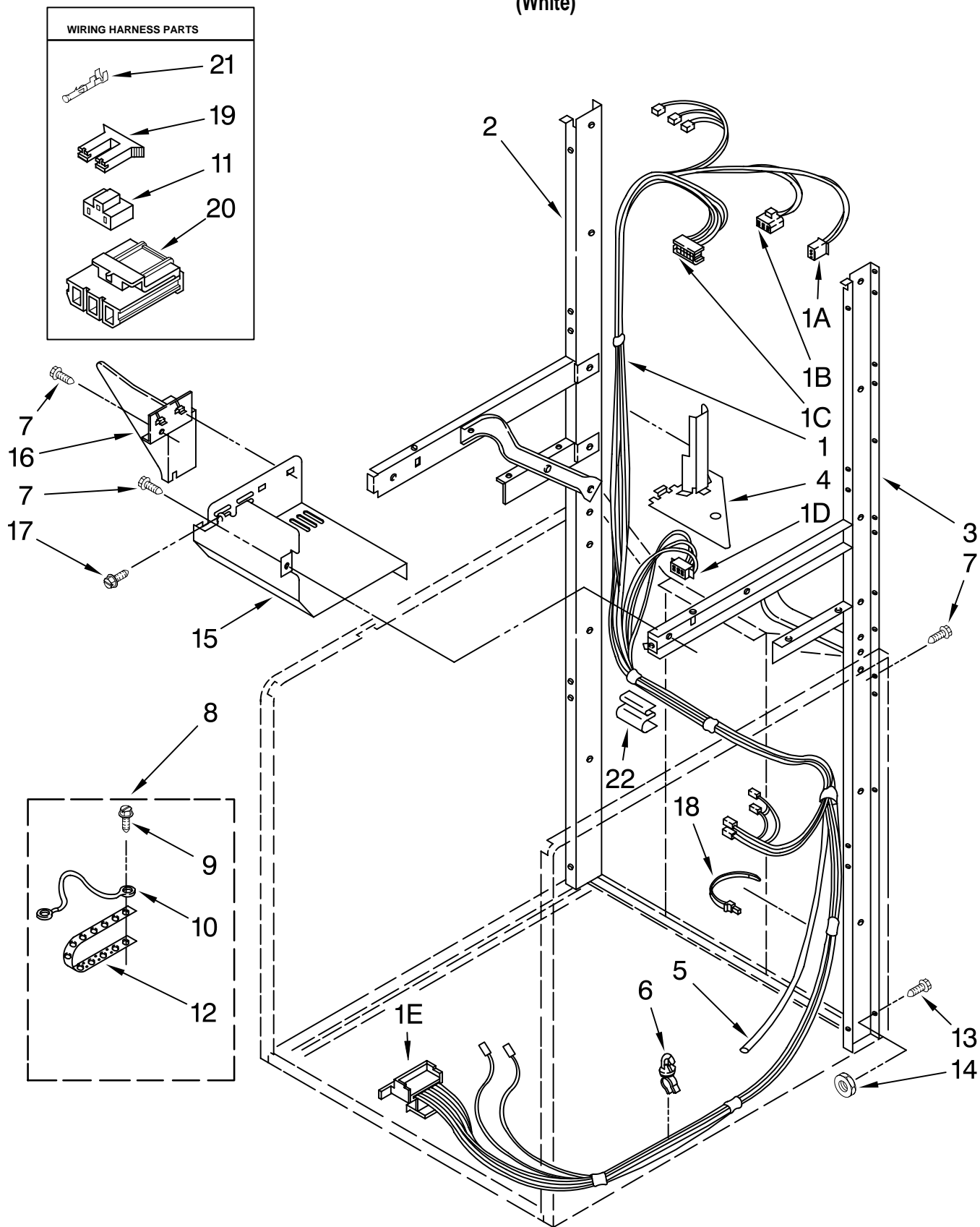
Illus. No.	Part No.	DESCRIPTION	Illus. No.	Part No.	DESCRIPTION	Illus. No.	Part No.	DESCRIPTION
1	8575324	Shaft, Roller	19	8575325	Shaft, L.H. Thread	39	697366	Plate, Blower
2	90767	Screw, 8-18 x 3/8	20	690997	Tri- Ring	40	3394986	Spring, Lint
3	343641	Screw, 10-16 x 1/2	21	8536973	Support, Roller			Screen Door
4	3394984	Door, Lint Screen	22	3357011	Screw, 10-16 x 1/2	41	3402841	Lens, Drum Light
5	697354	Air Duct Assembly	23	3394985	Housing, Outlet	42	3387134	Thermostat, Internal-Bias
6	697813	Seal, Outlet Housing	24	695240	Screw, 8-18 x 1/2	43	487909	Screw, 8-15 x 1/2
7	3391906	Seal, Lint Duct	25	3389448	Assembly, Drum	44	8544363	Housing, Blower
8	3934666	Nut (2)	26	W10219342	Screw, 8-16 x 1/2	45	3388909	Lint Duct Assembly (Includes Illus. 7 & 13)
9	8066086	Drum Hole Plug	27	W10166807	Seal, Drum			
10	3389449	Baffle, Drum (3)	28	3387230	Screw, 10-16 x 13/16	46	697715	Box, Heater
11	8563748	Pipe, Exhaust	29	3392258	Wire, Ground (Sensor)	47	3977394	Thermal Cutoff (Includes Illus. 48)
12	3390647	Screw, 8-18 x 1/2	30	3387223	Electrode (Sensor)			
13	3391685	Seal, Transition Duct To Lint Duct	31	697770	Seal, Cover Plate	48	3390291	Fixed, Thermostat
14	3387749	Element, Heater	32	3977373	Bracket, Light	49	3389647	Bracket, Heater Mounting
15	279457	Wire Kit (For Heater Element Wiring Harness Repair)	33	8566209	Seal, Transition Duct	50	3403607	Limiter, Thermal
16	W10001120	Nut, Hex (2)	34	W10136369	Socket Assembly	51	3389644	Screen, Lint
17	8520836	Bulkhead, Rear	35	3390935	Clip, Duct Locator	52	8299979	Grille, Outlet
18	3387459	Washer, Support	36	3406124	Bulb, Light	53	697557	Bulkhead, Front
			37	697772	Wheel, Blower	54	8571651	Bracket, Bulkhead (Upper)
			38	3389445	Duct, Transition (Includes Illus. No.33)			

FOR ORDERING INFORMATION REFER TO PARTS PRICE LIST

DRYER SUPPORT AND WASHER HARNESS PARTS

For Model: MET3800TW2

(White)



FOR ORDERING INFORMATION REFER TO PARTS PRICE LIST

DRYER SUPPORT AND WASHER HARNESS PARTS

For Model: MET3800TW2

(White)

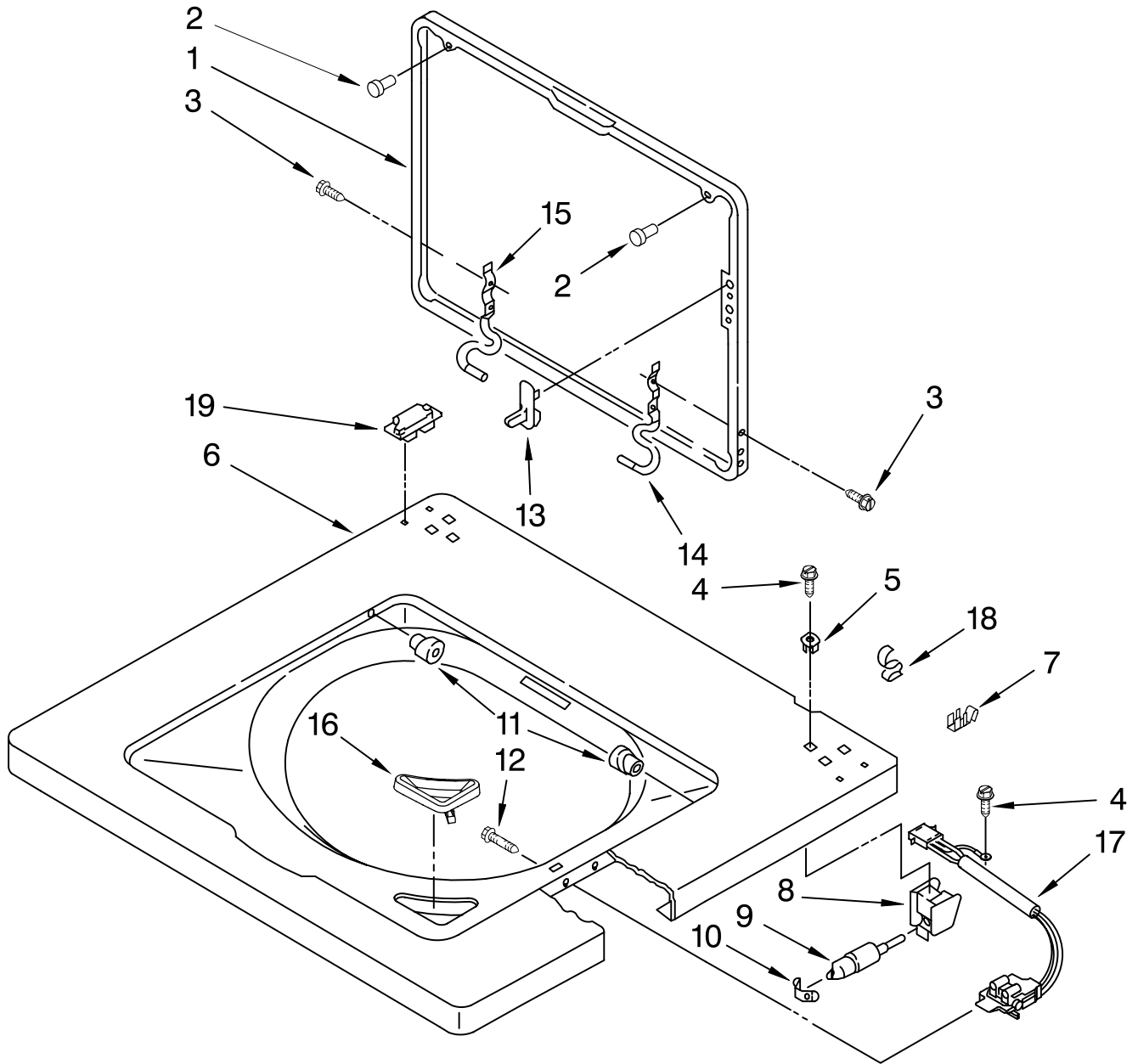
Illus. No.	Part No.	DESCRIPTION
1	W10139637	Harness – Washer
1A	3350130	Plug, 3 Way
1B	3347243	Connector, 5 Way
1C	352089	Block, Disconnect – Timer
1D	3350211	Receptacle, 3 Way
1E	62505	Block, Disconnect
2	3388851	Channel Assembly (Left Hand Side)
3	3388850	Channel Assembly (Right Hand Side)
4	3390609	Shield, Harness
5	8545438	Hose, Pressure Switch
6	2219077	Clip, Harness
7	343641	Screw, 10–16 x 1/2
8	685463	Kit, Grounding
9	8533971	Screw
10	685449	Wire
11	3401144	Connector, (PTS Relay)
12	22965	Strap, Grounding
13	3400300	Bolt, 5/16–18 x 1/2 (4)
14	8533952	Nut, Hex (4)
15	3394350	Shield, Front
16	3390336	Shield, Thermostat
17	3393008	Screw, 10–16 x 1/2
18	W10210799	Clip, Harness (2)
19	3354925	Connector, H–Pod
20	3360056	Connector, Pressure Switch
21		Terminal, 94613 Male 94614 Female
22	63523	Protector, Harness

FOR ORDERING INFORMATION REFER TO PARTS PRICE LIST

WASHER TOP AND LID PARTS

For Model: MET3800TW2

(White)



FOR ORDERING INFORMATION REFER TO PARTS PRICE LIST

WASHER TOP AND LID PARTS

For Model: MET3800TW2

(White)

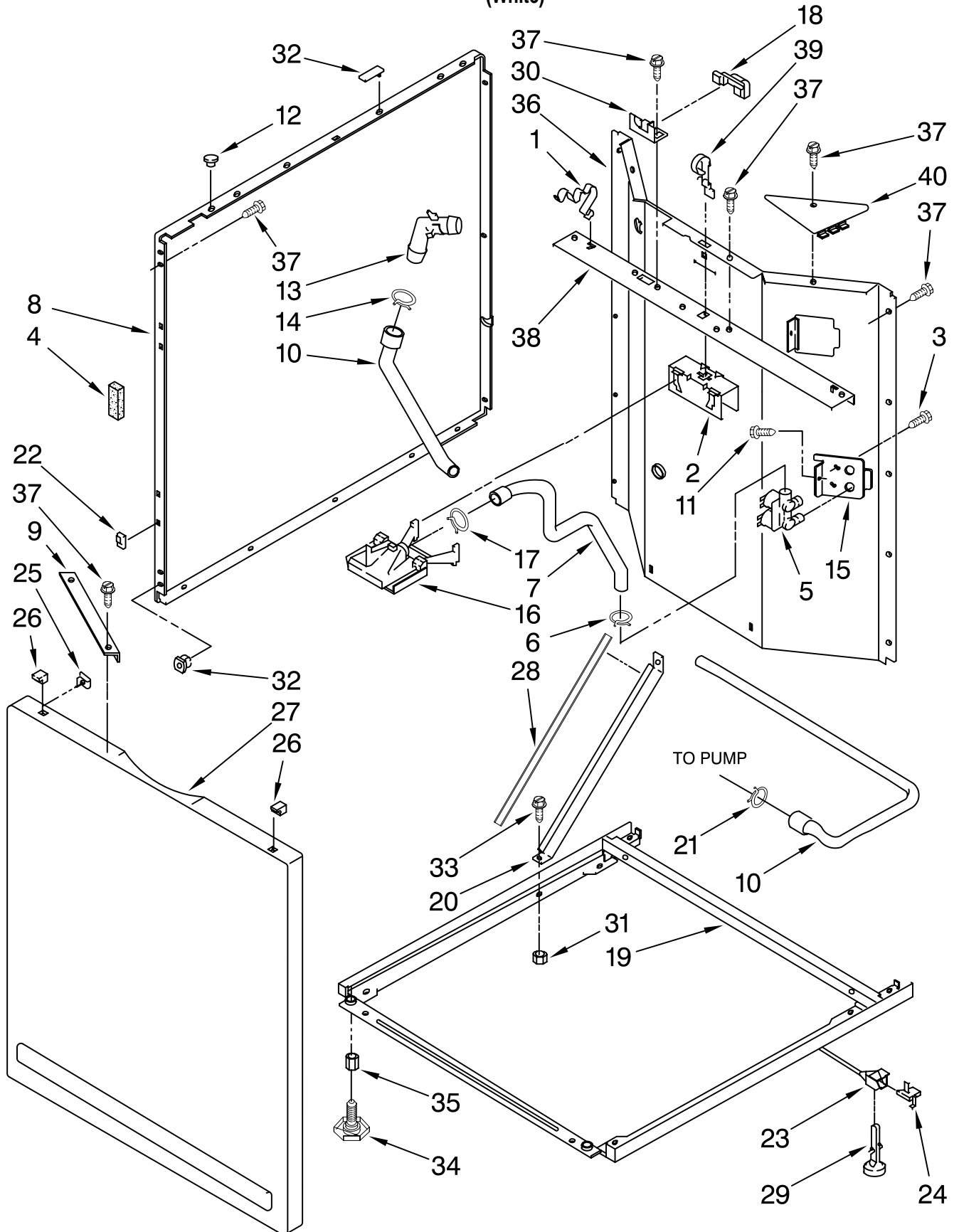
Illus. No.	Part No.	DESCRIPTION
1	3351652	Lid
2	9724509	Bumper, Lid (2)
3	W10119872	Screw And Washer
4	343641	Screw, 10-16 x 1/2
5	692400	Nut, Push-In (2)
6	3349817	Top
7	357572	Clip, Grounding
8	3354020	Bracket Mounting
9	3350152	Lid Retainer
10	3350828	Clip
11	21258	Hinge, Bearing (2)
12	3356311	Screw And Washer
13	358684	Strike, Lid
14	3350101	Hinge, R.H.
15	3350102	Hinge, L.H.
16	3362952	Dispenser-Bleach
17	3355458	Switch, Lid
18	90016	Clip, Wire (4)
19	W10134768	Locator, Top

FOR ORDERING INFORMATION REFER TO PARTS PRICE LIST

WASHER CABINET PARTS

For Model: MET3800TW2

(White)



FOR ORDERING INFORMATION REFER TO PARTS PRICE LIST

WASHER CABINET PARTS

For Model: MET3800TW2

(White)

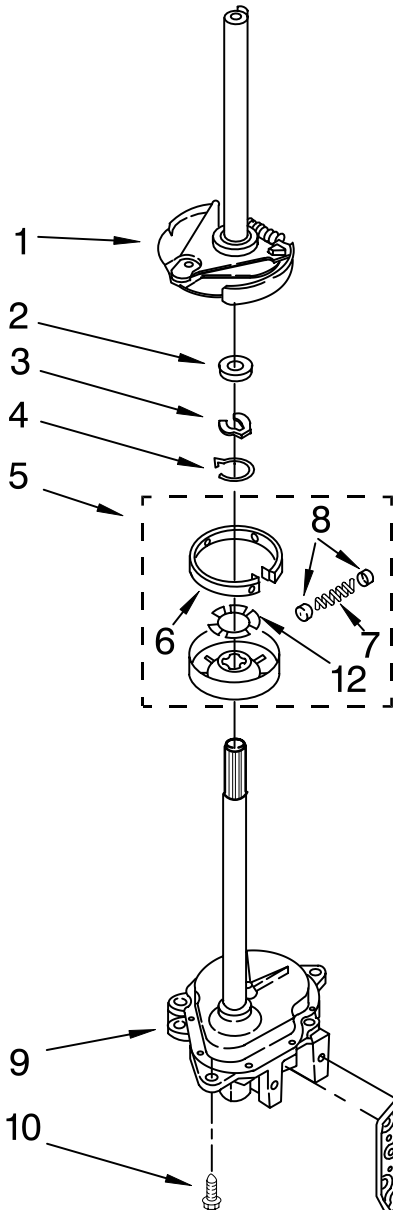
Illus. No.	Part No.	DESCRIPTION	Illus. No.	Part No.	DESCRIPTION	Illus. No.	Part No.	DESCRIPTION
1	3349770	Clip, Spring Top (2)	11	9740848	Screw, 8-18 x 1/2	27	3349499	Panel, Front
2	3349768	Bracket, Vacuum	12	660975	Plug, Top To Cabinet (2)	28	303294	Edge, Protector
3	62863	Screw, Mixing Valve Mounting	13	8557915	Connector, Hose	29	358594	Foot, Rear (2)
4	3350013	Foam	14	356138	Clamp, Hose	30	3350144	Bracket, Lid Switch
5	3979349	Valve, Water Mixing	15	3349673	Bracket, Valve	31	8533952	Nut, Hex (2)
6	370451	Clamp, Hose	16	387606	Thermister, Inlet	32	352292	Nut, Push-In (2)
7	8521954	Hose, Water Inlet (Vacuum Break To Mixing Valve)	17	371503	Clamp, Hose	33	3400300	Screw, 5/16-18 x 1/2
8	3349455	Panel, Side (2) (Same Panel Used On Left And Right Side)	18	3350145	Shield, Lid Switch	34	389102	Foot, Front (2)
9	3350745	Brace, Front Panel	19	3402724	Base, Cabinet	35	3400917	Nut, Jam (2)
10	3353841	Hose, Drain	20	3388857	Bracket, Base	36	3349493	Panel, Rear (Washer)
			21	371507	Clamp, Hose	37	343641	Screw, 10-16 x 1/2
			22	3394083	Clip, Front Panel (2)	38	3349697	Rail, Back Top
			23	3349311	Link, Leveling	39	3350135	Spring, Lever Bracket
			24	359364	Clip, Leveling Mechanism (2)	40	3390608	Shield, Corner Right Rear
			25	98234	Clip, Ground			
			26	345670	Lock, Top (2)			

FOR ORDERING INFORMATION REFER TO PARTS PRICE LIST

BRAKE, CLUTCH, GEARCASE, MOTOR AND PUMP PARTS

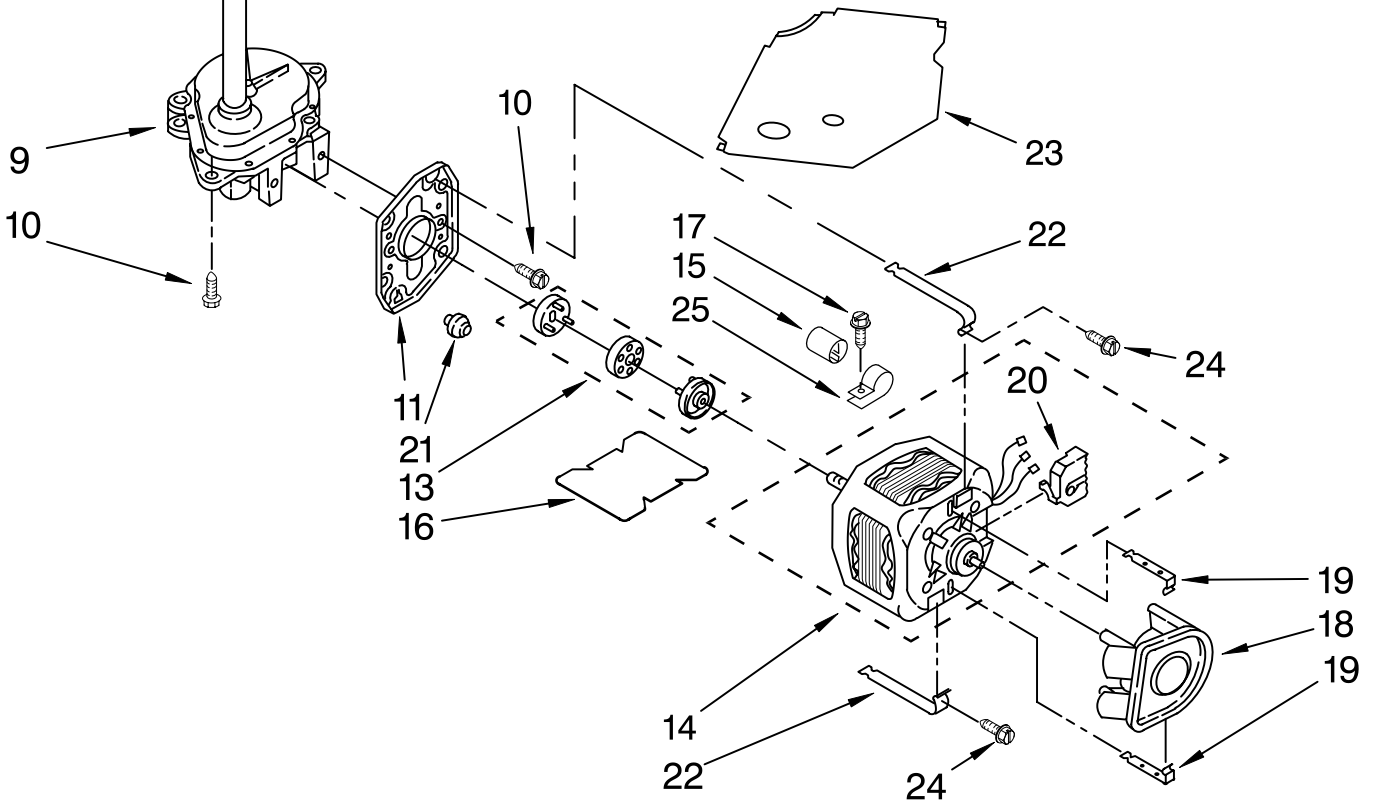
For Model: MET3800TW2

(White)



Illus. No.	Part No.	DESCRIPTION
1	388951	Brake And Drive Tube (Complete) (Refer To Page 18 For Further Breakdown)
2	63292	Washer, Spin Tube Thrust
3	62697	Ring, Spin Tube Support
4	63283	Ring, Retainer
5	3951311	Clutch (Complete)
6	3951308	Band And Lining (Includes Illus. 7 & 8)
7	3946792	Spring & Damper Assembly
8	62646	Cap, Clutch Spring (2)
9	8532118	Gearcase (Complete)(Refer To Page 17 For Further Breakdown)
10	3357334	Screw, 5/16-24 x 5/8

Illus. No.	Part No.	DESCRIPTION
11	62611	Plate, Motor Mount To Gearcase
12	3355454	Clip, Anti-Rattle
13	3364003	Coupling, Motor & Isolating
14	661600	Motor, Main Drive
15	8572717	Capacitor, Motor Start
16	8316060	Shield, Motor
17	62863	Screw, 10-16 x 3/8
18	3363892	Pump, Complete
19	8546127	Retainer, Pump
20	62850	Switch, Main Drive Motor
21	62691	Grommet, Motor (4)
22	W10086010	Retainer, Motor (2)
23	3362089	Shield, Tub To Motor
24	3387485	Screw, 10-16 x 5/8
25	3949496	Clamp, Capacitor

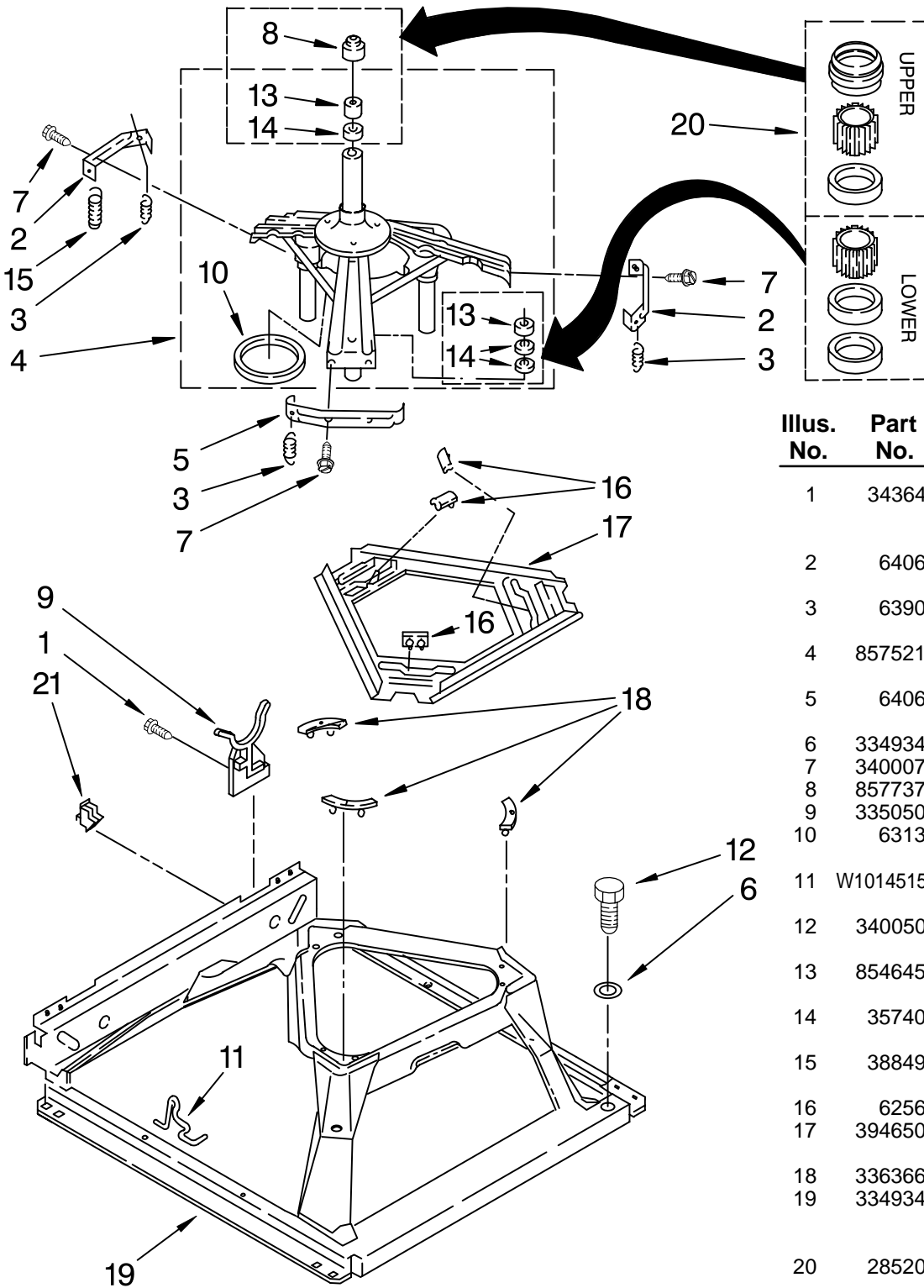


FOR ORDERING INFORMATION REFER TO PARTS PRICE LIST

MACHINE BASE PARTS

For Model: MET3800TW2

(White)



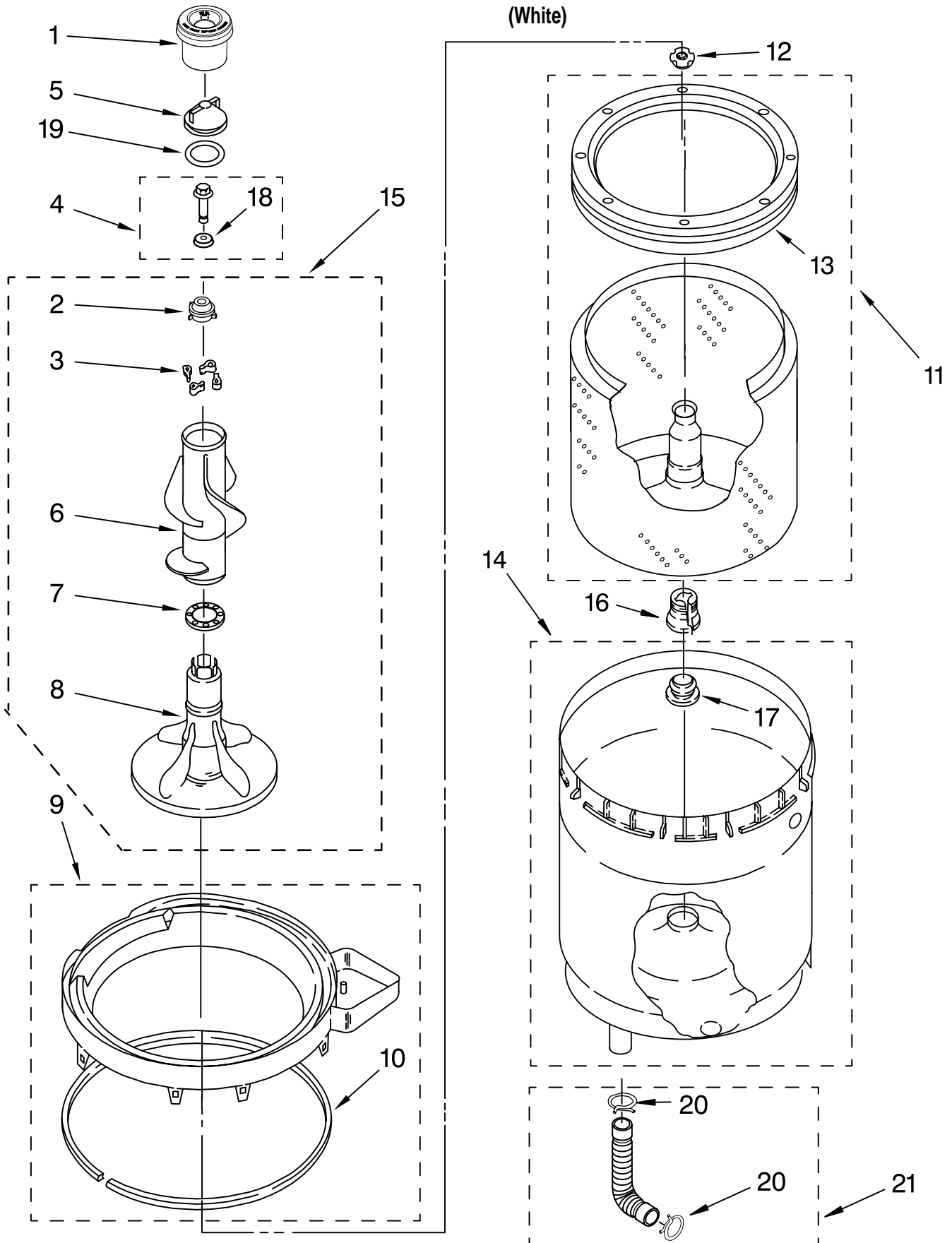
Illus. No.	Part No.	DESCRIPTION
1	343641	Screw, Bracket Mounting (10-16 x 1/2)
2	64067	Bracket, Spring Outer (2)
3	63907	Spring, Suspension (3)
4	8575214	Support & Brake, Tub
5	64065	Bracket, Spring Outer (L.F.)
6	3349340	Washer (2)
7	3400076	Screw, 10-32 x 5/8
8	8577376	Seal, Centerpost
9	3350506	Retainer, Hose
10	63134	Ring, Sound Deadening
11	W10145155	Retainer, Suspension Spring
12	3400501	Screw, 5/16-18 x 1 3/32
13	8546455	Bearing, Centerpost (2)
14	357409	Seal, Centerpost (3)
15	388492	Spring, Counterweight
16	62568	Pad, Plate
17	3946509	Plate, Suspension (Includes Illus. 16)
18	3363660	Pad, Base
19	3349343	Base Assembly (Includes Illus. 11 & 18)
20	285203	Centerpost Bearing Kit (Includes Illus. 8, 13 & 14)
21	3349749	Restrainer, Base

FOR ORDERING INFORMATION REFER TO PARTS PRICE LIST

AGITATOR, BASKET AND TUB PARTS

For Model: MET3800TW2

(White)



FOR ORDERING INFORMATION REFER TO PARTS PRICE LIST

AGITATOR, BASKET AND TUB PARTS

For Model: MET3800TW2

(White)

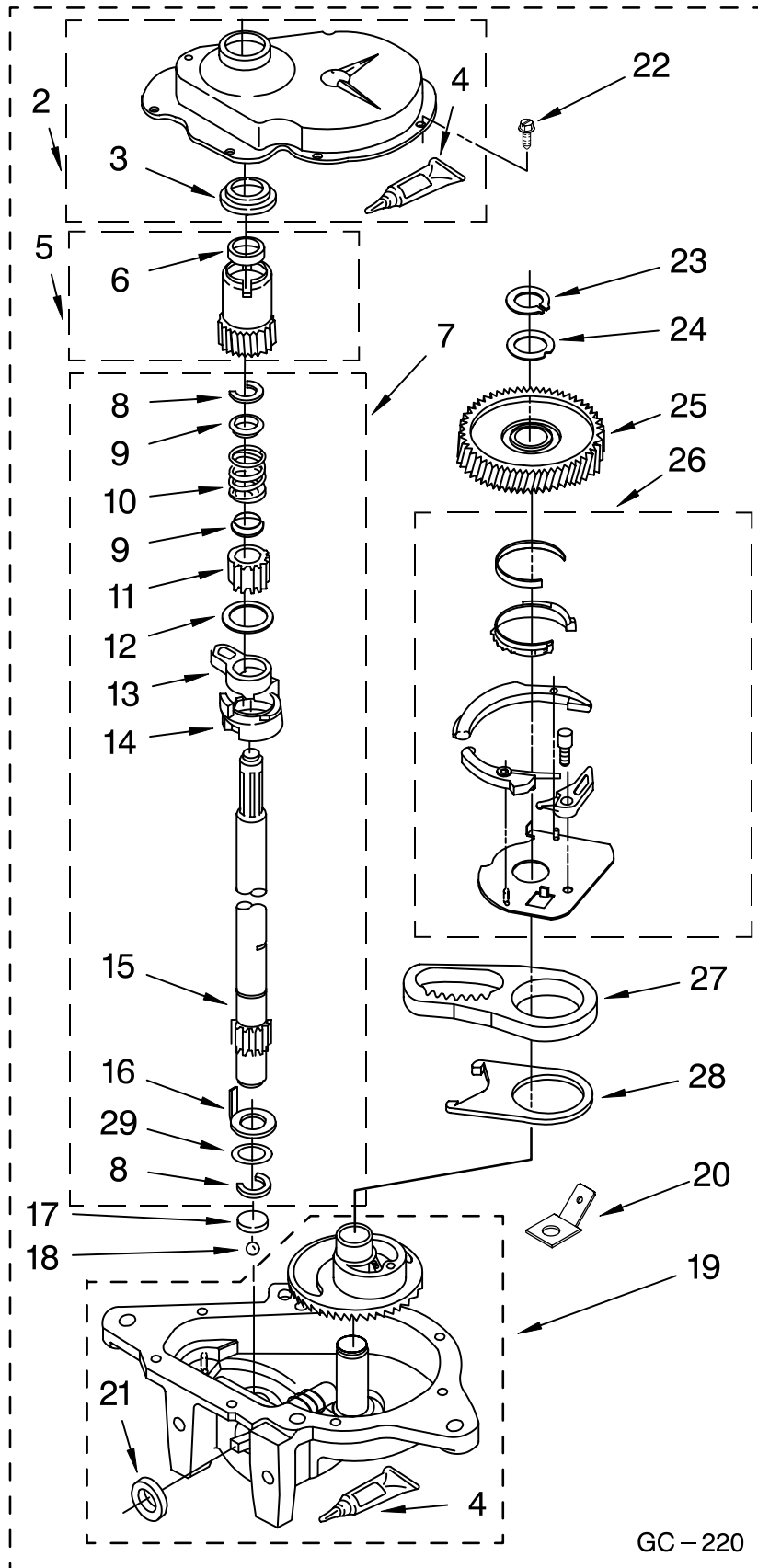
Illus. No.	Part No.	DESCRIPTION
1	3350834	Dispenser, Assembly
2	3947410	Cam Driven
3	3366877	Dog, Agitator (4)
4	358237	Screw & Washer
5	387094	Cap, Barrier
6	3349610	Mover, Agitator Clutch
7	3351014	Spacer, Thrust
8	3349578	Agitator
9	8528150	Tub Ring
10	3976308	Gasket, Tub Ring
11	3352234	Basket
12	21366	Nut, Spanner
13	387240	Ring, Balance
14	3349292	Tub
15	3349743	Agitator, (Complete)
16	389140	Block, Drive
17	383727	Gasket, Centerpost
18	3949550	Washer
19	W10072840	Seal, Inner Cap
20	3363366	Clamp, Hose (2)
21	3951449	Hose & Clamp Assembly

FOR ORDERING INFORMATION REFER TO PARTS PRICE LIST

GEARCASE PARTS

For Model: MET3800TW2

(White)



Illus. No.	Part No.	DESCRIPTION
1	8532118	Gearcase (Complete)
2	285202	Cover, Gearcase
3	3349985	Seal, Gearcase Cover
4	285195	Sealer, Gasket (.20 Fl. Oz.) (6 ml)
5	63320	Pinion, Spin (Includes Illus. 25)
6	356427	Seal, Spin Pinion
7	389387	Shaft, Agitator (Complete)
8	90369	Ring, Retaining (2)
9	62677	Retainer, Spring (2)
10	62676	Spring, Agitate
11	63273	Gear, Agitate (Includes 15 & 29)
12	62619	Washer, Agitate Gear
13	62580	Cam Follower (Includes 14)
14	62581	Cam, Agitate (Includes 13)
15	285509	Shaft, Agitator (Includes 11 & 29)
16	62618	Washer, Cam Thrust
17	16018	Bearing, Thrust (Includes 18)
18	85529	Ball, Bearing (Includes 17)
19	389230	Bottom and Pinion, Gearcase
20	3949116	Block Tab, Terminal
21	285352	Seal, Thrust Plug
22	3351614	Screw, Gearcase Cover Mounting (8) (10-24 x 3/8)
23	3362552	Ring, Retaining
24	285735	Washer Kit, Thrust
25	62570	Gear, Spin
26	388253	Neutral Assembly
27	3349296	Rack, Connecting
28	62621	Actuator, Shift
29	388815	Washer, Intermediate

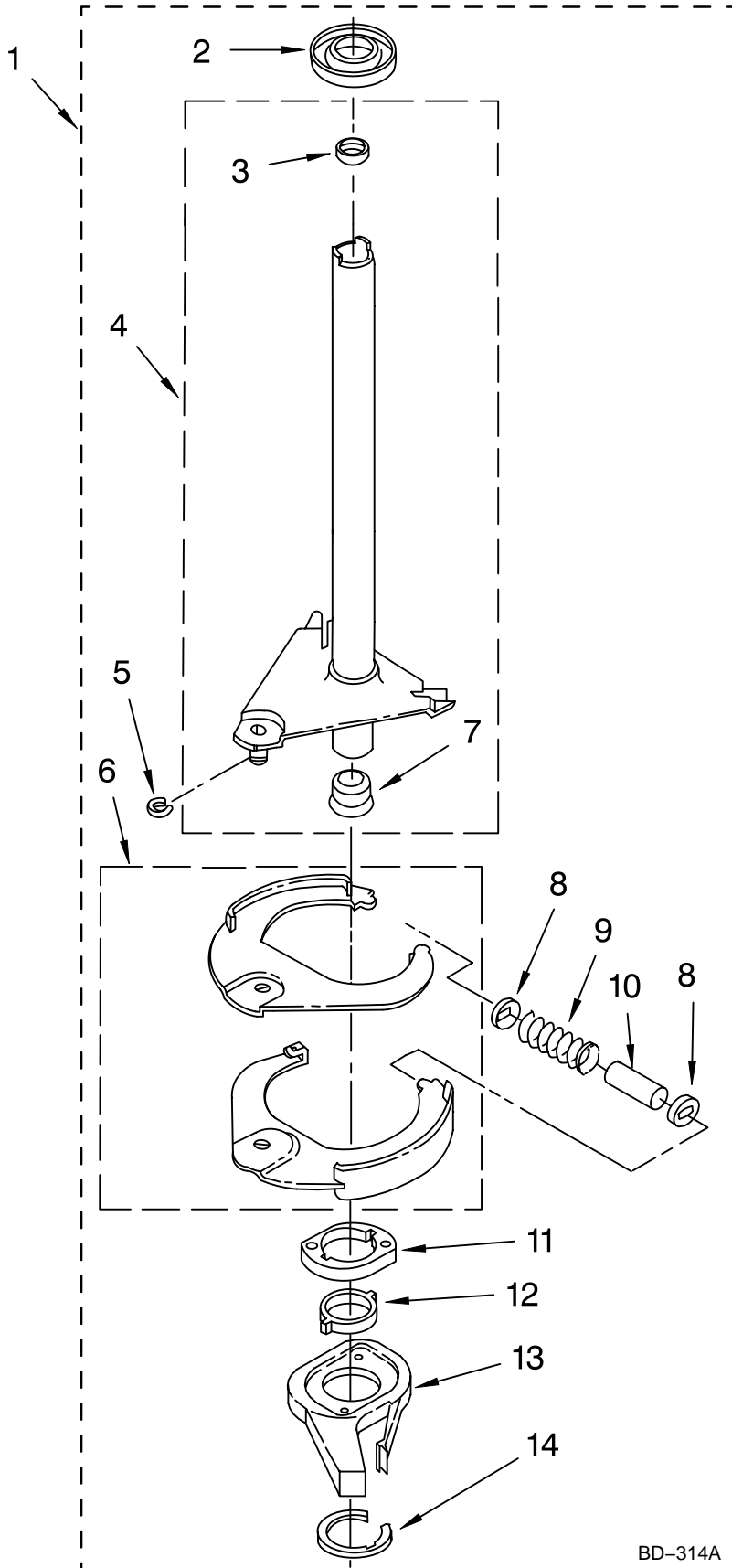
GC-220

FOR ORDERING INFORMATION REFER TO PARTS PRICE LIST

BRAKE AND DRIVE TUBE PARTS

For Model: MET3800TW2

(White)



Illus. No.	Part No.	DESCRIPTION
1	388951	Brake And Drive Tube (Complete)
2	62658	Ring, Thrust
3	356427	Seal, Drive Tube
4	64027	Tube, Basket Drive (Includes Illus. 3, 4, 5 & 9)
5	64035	Ring, Retaining
6	64232	Shoe, Brake (2)
7	62703	"T" Bearing, Spin Tube
8	3353956	Cap, Brake Spring (2)
9	62647	Spring, Brake
10	3355360	Sleeve, Brake Spring
11	661516	Cam, Brake Release
12	63022	Sleeve, Cam
13	64194	Driver, Brake Cam
14	90368	Ring, Retaining

FOLLOWING PARTS NOT ILLUSTRATED

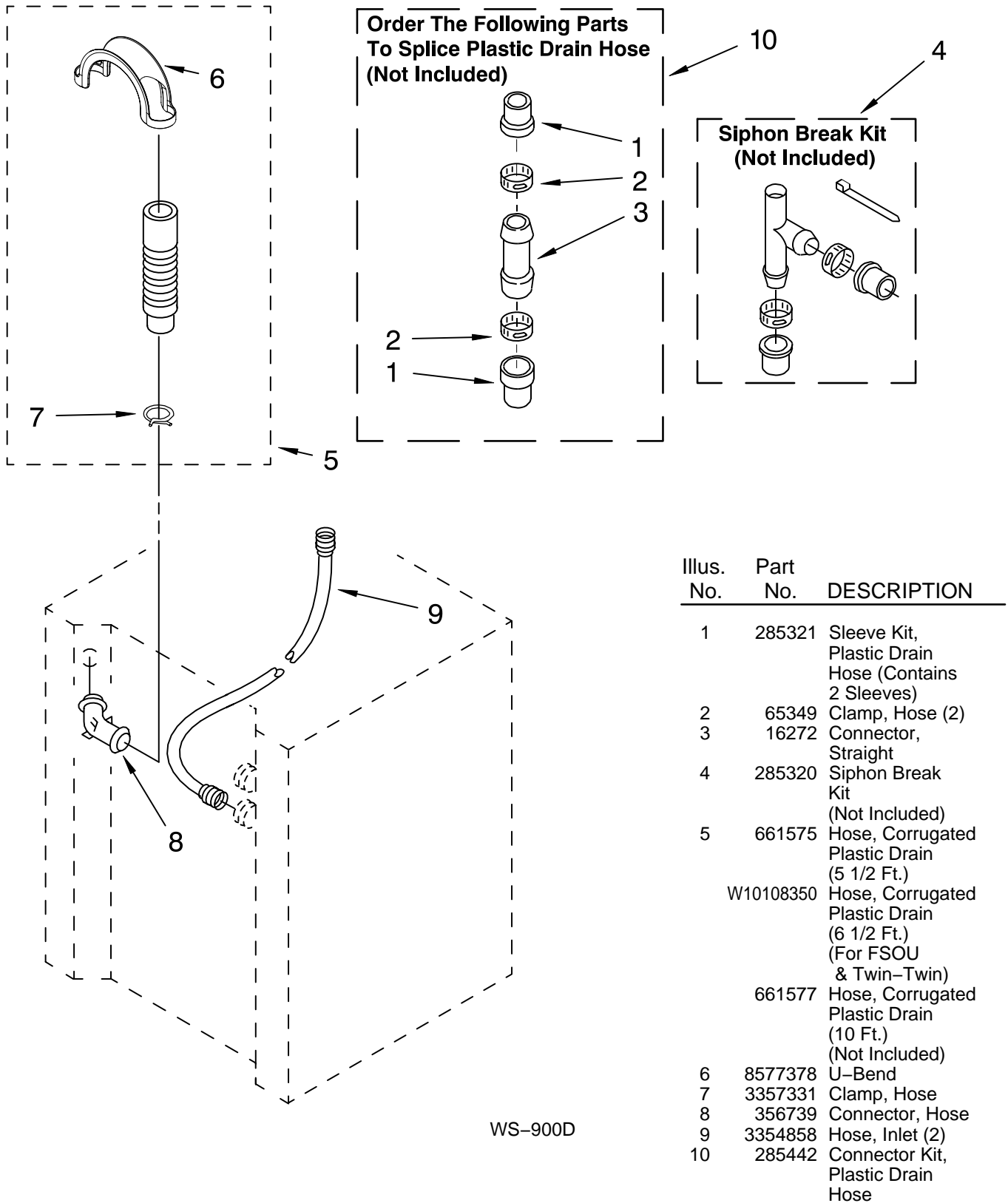
285208 Lubricant
(Use Only In Brake Shoe Assembly On Roller & Pin)

FOR ORDERING INFORMATION REFER TO PARTS PRICE LIST

WATER SYSTEM PARTS

For Model: MET3800TW2

(White)



Illus. No.	Part No.	DESCRIPTION
1	285321	Sleeve Kit, Plastic Drain Hose (Contains 2 Sleeves)
2	65349	Clamp, Hose (2)
3	16272	Connector, Straight
4	285320	Siphon Break Kit (Not Included)
5	661575	Hose, Corrugated Plastic Drain (5 1/2 Ft.)
	W10108350	Hose, Corrugated Plastic Drain (6 1/2 Ft.) (For FSOU & Twin-Twin)
	661577	Hose, Corrugated Plastic Drain (10 Ft.) (Not Included)
6	8577378	U-Bend
7	3357331	Clamp, Hose
8	356739	Connector, Hose
9	3354858	Hose, Inlet (2)
10	285442	Connector Kit, Plastic Drain Hose

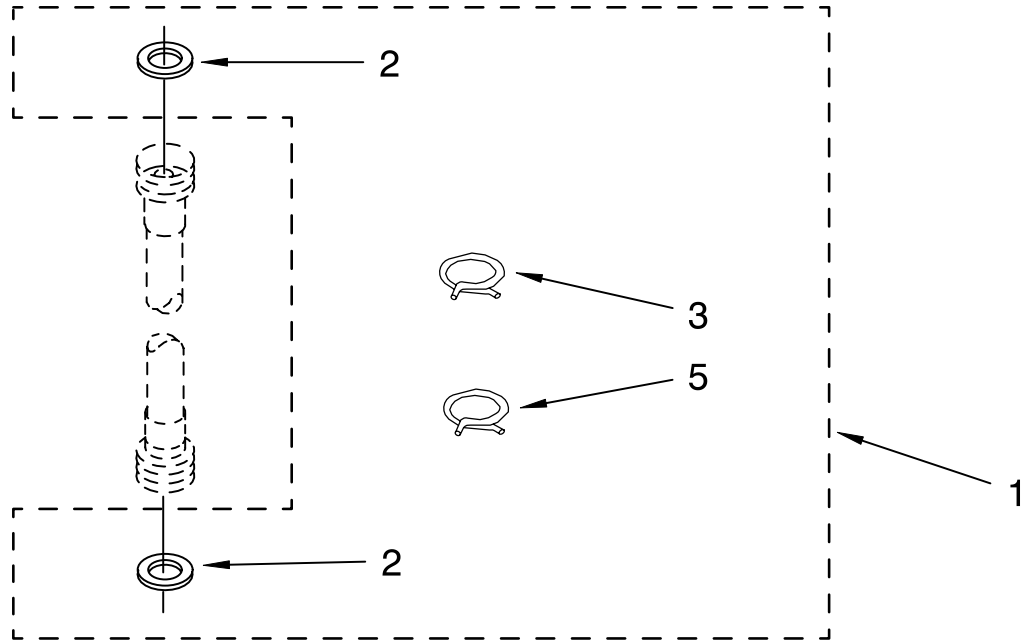
WS-900D

FOR ORDERING INFORMATION REFER TO PARTS PRICE LIST

MISCELLANEOUS PARTS

For Model: MET3800TW2

(White)



Illus. No.	Part No.	DESCRIPTION
1	W10112404	Miscellaneous Parts Bag
2	16123	Washer, Inlet Hose
3	356138	Clamp, Hose
5	3357331	Clamp, Hose (Upper Drain)

FOR ORDERING INFORMATION REFER TO PARTS PRICE LIST

OPTIONAL PARTS (NOT INCLUDED)

For Model: MET3800TW2

(White)

<u>Illus.</u>	<u>Part</u>	
<u>No.</u>	<u>No.</u>	<u>DESCRIPTION</u>

PAINT, TOUCH-UP (1/2oz.)

72017 White
4392899 Biscuit

PAINT, PRESSURIZED SPRAY (12 oz.)

350938 Primer, Gray
350930 White
4392901 Biscuit

PAINT, BULK (1 qt.)

799344 White (Uncut)
4392900 Biscuit (Uncut)

OIL

350572 Oil, Gearcase
(16 Oz.)

LUBRICANT

285208 Lubricant (Use
Only in Brake
Shoe Assembly
On Roller and
Pin)

SEALER

285195 Sealer, Gasket
(.20 Fl. Oz.)
(6 ml)

ACCESSORIES

279823 Side Exhaust Kit

FOR ORDERING INFORMATION REFER TO PARTS PRICE LIST

Free Manuals Download Website

<http://myh66.com>

<http://usermanuals.us>

<http://www.somanuals.com>

<http://www.4manuals.cc>

<http://www.manual-lib.com>

<http://www.404manual.com>

<http://www.luxmanual.com>

<http://aubethermostatmanual.com>

Golf course search by state

<http://golfingnear.com>

Email search by domain

<http://emailbydomain.com>

Auto manuals search

<http://auto.somanuals.com>

TV manuals search

<http://tv.somanuals.com>