

# INSTALLATION INSTRUCTIONS

COMMERCIAL STACKED WASHER/DRYER  
GAS OR ELECTRIC

# INSTRUCTIONS D'INSTALLATION

LAVEUSE/SÉCHEUSE SUPERPOSÉES  
À USAGE COMMERCIAL  
À GAZ OU ÉLECTRIQUE

# INSTRUCCIONES DE INSTALACIÓN

LAVADORA/SECADORA COMERCIALES  
APILADAS A GAS O ELÉCTRICAS

## TABLE OF CONTENTS

	Page
Stacked Washer/Dryer Safety .....	2
Tools & Parts .....	5
Alternate Parts and Accessories .....	6
Dimensions/Clearances .....	7
Stacked Washer/Gas Dryer Installation Requirements .....	8
Stacked Washer/Electric Dryer Installation Requirements .....	11
Dryer Venting Requirements .....	15
Dryer Gas Supply Requirements .....	18
Installing Stacked Washer/Dryer .....	19
Washer Drain System .....	22
Electric Dryer Electrical Connections .....	23
Leveling .....	27
Reversing Dryer Door Swing .....	29
Stacked Washer/Dryer Maintenance Instructions .....	31
If You Need Assistance .....	32
Electronic Control Setup Instructions .....	33
Warranty .....	39

## TABLE DES MATIÈRES

	Page
Sécurité de la laveuse/sécheuse superposées .....	40
Outils et pièces .....	43
Pièces supplémentaires et accessoires .....	44
Dimensions/Distances de dégagement .....	45
Exigences d'installation pour la laveuse/sécheuse à gaz superposées .....	46
Exigences d'installation pour la laveuse/sécheuse électriques superposées .....	49
Exigences concernant l'évacuation de la sécheuse .....	54
Spécifications de l'alimentation en gaz de la sécheuse .....	57
Installation de la laveuse/sécheuse superposées .....	58
Système d'évacuation de la laveuse .....	61
Raccordements de la sécheuse électrique .....	62
Nivellement .....	66
Inversion du sens d'ouverture de la porte de la sécheuse .....	68
Instructions d'entretien de la laveuse/sécheuse superposées .....	70
Si vous avez besoin d'assistance .....	71
Instructions de réglage du tableau de commande électronique .....	72
Garantie .....	79

## ÍNDICE

	Página
Seguridad de la lavadora/ secadora apiladas .....	80
Herramientas y piezas .....	83
Piezas y accesorios adicionales .....	84
Dimensiones y espacios libres .....	85
Requisitos de instalación de la lavadora/secadora a gas apiladas ...	86
Requisitos de instalación de la lavadora/secadora eléctricas apiladas .....	89
Requisitos de ventilación de la secadora .....	94
Requisitos del suministro de gas de la secadora .....	97
Instalación de la lavadora/ secadora apiladas .....	98
Sistema de desagüe de la lavadora .....	101
Conexiones eléctricas de la secadora eléctrica .....	102
Nivelación .....	106
Cómo invertir el cierre de la puerta de la secadora .....	108
Instrucciones de mantenimiento de la lavadora/secadora apiladas ...	110
Si necesita ayuda .....	111
Instrucciones de programación del control electrónico .....	112
Garantía .....	120

W10335465B

[www.maytagcommerciallaundry.com](http://www.maytagcommerciallaundry.com)

# STACKED WASHER/DRYER SAFETY

## Your safety and the safety of others are very important.

We have provided many important safety messages in this manual and on your appliance. Always read and obey all safety messages.



This is the safety alert symbol.

This symbol alerts you to potential hazards that can kill or hurt you and others.

All safety messages will follow the safety alert symbol and either the word "DANGER" or "WARNING."

These words mean:

**⚠ DANGER**

You can be killed or seriously injured if you don't immediately follow instructions.

**⚠ WARNING**

You can be killed or seriously injured if you don't follow instructions.

All safety messages will tell you what the potential hazard is, tell you how to reduce the chance of injury, and tell you what can happen if the instructions are not followed.



## **WARNING - "Risk of Fire"**

- Clothes dryer installation must be performed by a qualified installer.
- Install the clothes dryer according to the manufacturer's instructions and local codes.
- Do not install a clothes dryer with flexible plastic venting materials or flexible metal (foil type) duct. If flexible metal duct is installed, it must be of a specific type identified by the appliance manufacturer as suitable for use with clothes dryers. Flexible venting materials are known to collapse, be easily crushed, and trap lint. These conditions will obstruct clothes dryer airflow and increase the risk of fire.
- To reduce the risk of severe injury or death, follow all installation instructions.
- Save these instructions.

- It is recommended that the owner post, in a prominent location, instructions for the customer's use in the event the customer smells gas. This information should be obtained from your gas supplier.
- Post the following warning in a prominent location.

### FOR YOUR SAFETY

Do not store or use gasoline or other flammable vapors and liquids in the vicinity of this or any other appliance.

# STACKED WASHER/DRYER SAFETY

**WARNING:** For your safety, the information in this manual must be followed to minimize the risk of fire or explosion, or to prevent property damage, personal injury, or death.

- Do not store or use gasoline or other flammable vapors and liquids in the vicinity of this or any other appliance.
- **WHAT TO DO IF YOU SMELL GAS:**
  - Do not try to light any appliance.
  - Do not touch any electrical switch; do not use any phone in your building.
  - Clear the room, building, or area of all occupants.
  - Immediately call your gas supplier from a neighbor's phone. Follow the gas supplier's instructions.
  - If you cannot reach your gas supplier, call the fire department.
- Installation and service must be performed by a qualified installer, service agency, or the gas supplier.

**WARNING:** Gas leaks cannot always be detected by smell.

Gas suppliers recommend that you use a gas detector approved by UL or CSA.

For more information, contact your gas supplier.

If a gas leak is detected, follow the "What to do if you smell gas" instructions.

In the State of Massachusetts, the following installation instructions apply:

- Installations and repairs must be performed by a qualified or licensed contractor, plumber, or gasfitter qualified or licensed by the State of Massachusetts.
- If using a ball valve, it shall be a T-handle type.
- A flexible gas connector, when used, must not exceed 3 feet.

**IMPORTANT:** The gas installation must conform with local codes, or in the absence of local codes, with the National Fuel Gas Code, ANSI Z223.1/NFPA 54 or the Canadian Natural Gas and Propane Installation Code, CSA B149.1.

The dryer must be electrically grounded in accordance with local codes, or in the absence of local codes, with the National Electrical Code, ANSI/NFPA 70 or Canadian Electrical Code, CSA C22.1.

# STACKED WASHER/DRYER SAFETY

## IMPORTANT SAFETY INSTRUCTIONS

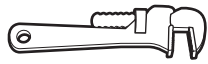
**WARNING:** To reduce the risk of fire, electric shock, or injury to persons when using the washer/dryer, follow basic precautions, including the following:

- Read all instructions before using the washer/dryer.
- Do not place items exposed to cooking oils in your dryer. Items contaminated with cooking oils may contribute to a chemical reaction that could cause a load to catch fire.
- Do not wash or dry articles that have been previously cleaned in, washed in, soaked in, or spotted with gasoline, dry-cleaning solvents, other flammable, or explosive substances as they give off vapors that could ignite or explode.
- Do not add gasoline, dry-cleaning solvents, or other flammable, or explosive substances to the wash water. These substances give off vapors that could ignite or explode.
- Do not allow children to play on or in the washer/dryer. Close supervision of children is necessary when the washer/dryer is used near children.
- Before the washer/dryer is removed from service or discarded, remove the doors to the washer/dryer compartments.
- Do not reach into the washer/dryer if the tub, agitator or drum is moving.
- Do not install or store the washer/dryer where it will be exposed to the weather.
- Do not tamper with controls.
- Clean dryer lint screen before or after each load.
- Under certain conditions, hydrogen gas may be produced in a hot water system that has not been used for 2 weeks or more. **HYDROGEN GAS IS EXPLOSIVE.** If the hot water system has not been used for such a period, before using the washing machine, turn on all hot water faucets and let the water flow from each for several minutes. This will release any accumulated hydrogen gas. As the gas is flammable, do not smoke or use an open flame during this time.
- Do not repair or replace any part of the washer/dryer or attempt any servicing unless specifically recommended in this Use and Care Guide or in published user-repair instructions that you understand and have the skills to carry out.
- Do not use fabric softeners or products to eliminate static unless recommended by the manufacturer of the fabric softener or product.
- Do not use heat to dry articles containing foam rubber or similarly textured rubber-like materials.
- Keep area around the exhaust opening and adjacent surrounding areas free from the accumulation of lint, dust, and dirt.
- The interior of the machine and dryer exhaust vent should be cleaned periodically by qualified service personnel.
- See “Electrical Requirements” section of the Installation Instructions booklet for grounding instructions.

**SAVE THESE INSTRUCTIONS**

# TOOLS & PARTS

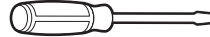
## Tools Needed:



8" (203 mm)  
or 10" (254 mm)  
pipe wrench



8" (203 mm) or 10" (254 mm)  
adjustable wrench  
that opens to 1" (25 mm)



flat-blade screwdriver



phillips screwdriver



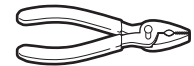
Torx<sup>®</sup> T-20 security  
screwdriver or bit



1" (25 mm) hex-head  
socket wrench



5/16" socket wrench



pliers  
(that open to 1<sup>9</sup>/<sub>16</sub>" [39 mm])



level



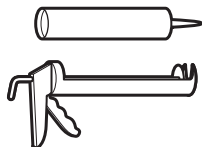
utility knife



1/4" (6 mm) nut driver



locking pliers



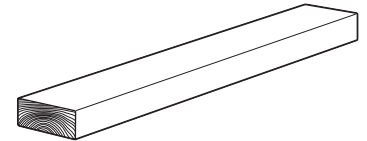
caulk gun and caulk  
(for installing new exhaust vent)



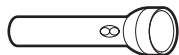
vent clamps



pipe-joint compound  
suitable for gas type



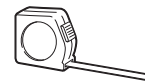
27" (686 mm) wood block



flashlight (optional)



1/2" (13 mm) and 9/16"  
(14 mm) open-end wrenches



ruler or measuring tape

## Parts Supplied:



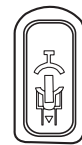
water inlet hoses (2)



inlet hose washers (4)



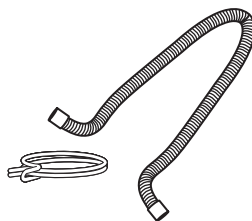
U-shaped hose form



transit bolt hole plug (4)



beaded tie strap



drain hose/clamp

# ALTERNATE PARTS AND ACCESSORIES

---

## Alternate Parts

---

Your installation may require additional parts. If you are interested in purchasing one of the items listed here, call the toll-free number in the "If You Need Assistance" section.

<b>If You Have</b>	<b>You Will Need to Buy</b>
Overhead sewer	Standard 20 gal. (76 L) 39" (990 mm) tall drain tub or utility sink, sump pump and connectors (available from local plumbing suppliers)
1" (25 mm) standpipe	2" (51 mm) diameter to 1" (25 mm) diameter Standpipe Adapter Part Number 3363920 Connector Kit Part Number 285835
Drain hose too short	Extension Drain Hose Part Number 285863 Connector Kit Part Number 285835
Lint clogged drain	Drain Protector Part Number 367031 Connector Kit Part Number 285835
Floor drain system	Siphon break, Part Number 285834 Connector Kit (x2) Part Number 285835 Extension Drain Hose Part Number 285863
Water faucets beyond reach of fill hoses	2 longer water fill hoses: 6 ft. (1.8 m) 90° bend hose Part Number 76314 10 ft. (3.0 m) Part Number 350008

## Accessories

---

Enhance your washer/dryer with these premium accessories.

For more high-quality items or to order, call **1-800-901-2042**, or visit us at **[www.maytag.com/accessories](http://www.maytag.com/accessories)**.

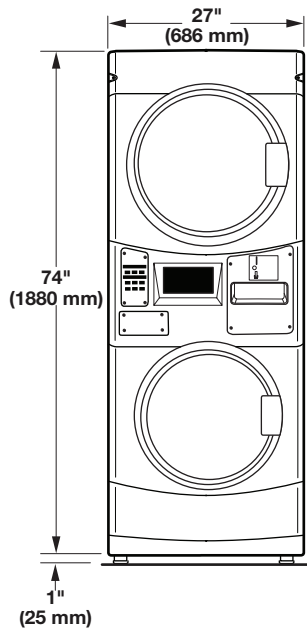
In Canada call: **1-800-807-6777** or visit us at **[www.whirlpoolparts.ca](http://www.whirlpoolparts.ca)**.

<b>Part Number</b>	<b>Accessory</b>
<b>8212526</b>	Washer drip tray, fits under all
<b>31682</b>	All-purpose appliance cleaner
<b>1903WH</b>	Laundry supply storage cart
<b>279818</b>	3-way dryer venting kit
<b>285834</b>	Siphon break kit

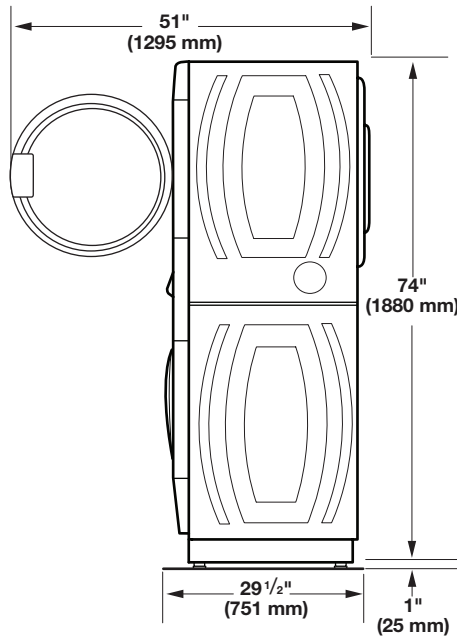
# DIMENSIONS/CLEARANCES

## Dimensions

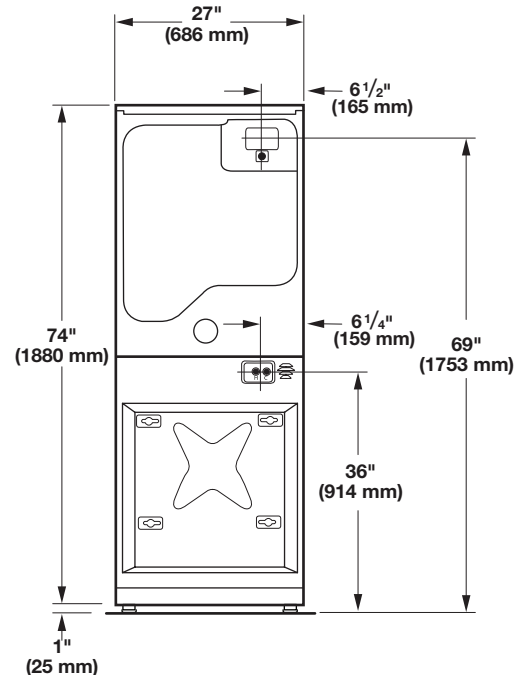
Front View



Side View

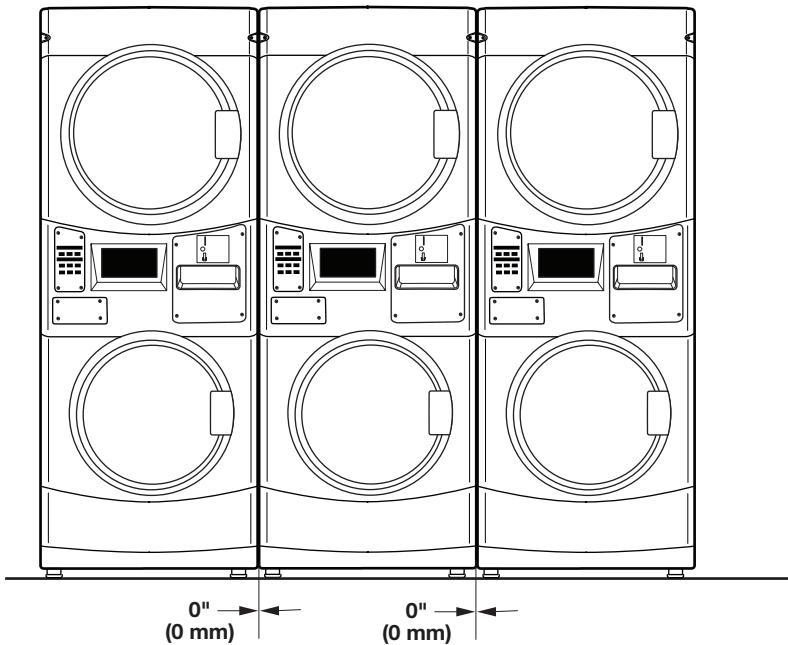


Back View

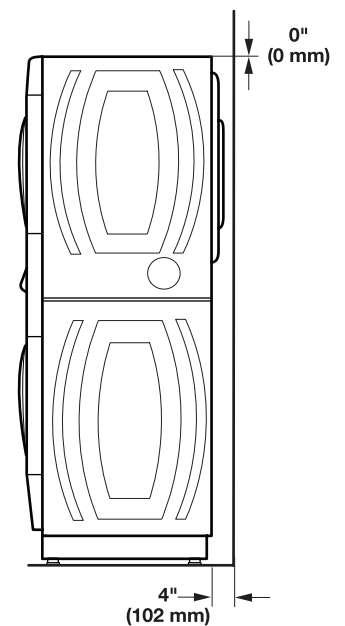


## Clearances

Side Clearances



Back/Top Clearances





# STACKED WASHER/GAS DRYER INSTALLATION REQUIREMENTS

## Stacked Washer/Gas Dryer Location

### **⚠ WARNING**



#### **Explosion Hazard**

**Keep flammable materials and vapors, such as gasoline, away from dryer.**

**Do not install in a garage.**

**Failure to do so can result in death, explosion, or fire.**

Selecting the proper location for your washer/dryer improves performance and minimizes noise and possible washer “walk.”

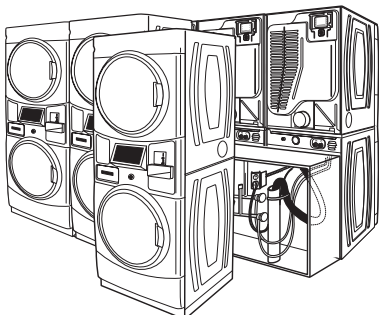
Your washer/dryer can be installed in a basement, laundry room, or recessed area. See “Drain System.”

Companion appliance location requirements should also be considered.

**IMPORTANT:** Do not install or store the washer/dryer where it will be exposed to the weather. Do not store or operate the washer/dryer in temperatures at or below 32°F (0°C). Some water can remain in the washer and can cause damage in low temperatures. Proper installation is your responsibility.

#### **You will need:**

- A water heater set to deliver 120°F (49°C) water to the washer.
- A grounded electrical outlet located within 6 ft. (1.8 m) of where the power cord is attached to the back of the washer. See “Electrical Requirements.”
- Hot and cold water faucets located within 4 ft. (1.2 m) of the hot and cold water fill valves, and water pressure of 20–100 psi (137.9–689.6 kPa).
- A level floor with a maximum slope of 1" (25 mm) under entire washer/dryer. Installing the washer/dryer on soft floor surfaces, such as carpets or surfaces with foam backing, is not recommended.
- A sturdy and solid floor to support the washer/dryer with a total weight (water and load) of 450 lbs (204 kg).
- A floor drain under the bulkhead. Prefabricated bulkheads with electrical outlets, water inlet lines, and drain facilities should be used only where local codes permit.



#### **Stacked washer/gas dryer installation clearances**

- The location must be large enough to allow the washer and dryer doors to be fully opened.
- Additional spacing should be considered for ease of installation and servicing. The doors open more than 180°. The washer door is not reversible.
- Additional clearances might be required for wall, door, and floor moldings.
- Additional spacing of 1" (25 mm) on all sides of the washer/dryer is recommended to reduce noise transfer.
- Companion appliance spacing should also be considered.

#### **When installing a gas dryer:**

**IMPORTANT:** Observe all governing codes and ordinances.

- Check code requirements: Some codes limit or do not permit installation of clothes dryers in garages, closets, or sleeping quarters. Contact your local building inspector.
- Make sure that lower edges of the cabinet, plus the back and bottom sides of the washer, are free of obstructions to permit adequate clearance of air openings for combustion air. See “Recessed Area and Closet Installation Instructions” below for minimum spacing requirements.

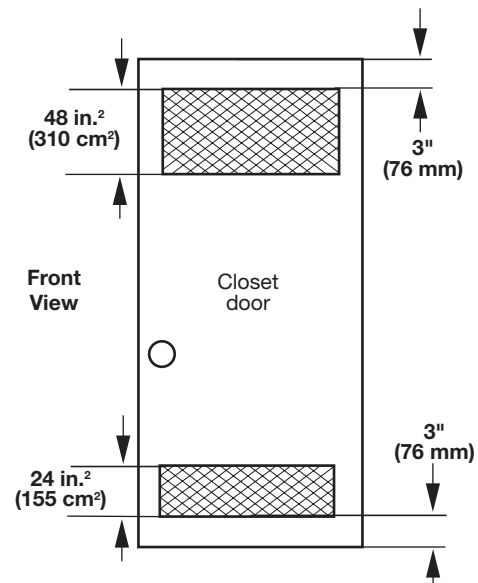
#### **Recessed Area and Closet Installation Instructions**

This washer/dryer may be installed in a recessed area or closet. For recessed area and closet installations, minimum clearances can be found on the warning label on the rear of the dryer or in “Dimensions/Clearances.”

The installation spacing is in inches and is the minimum allowable. Additional spacing should be considered for ease of installation, servicing, and compliance with local codes and ordinances.

If closet door is installed, the minimum unobstructed air opening in the top and bottom is required. Louvered doors with equivalent air openings are acceptable.

The dryer must be exhausted outdoors.





# STACKED WASHER/GAS DRYER INSTALLATION REQUIREMENTS

## Stacked Washer/Gas Dryer Electrical Requirements

### ⚠ WARNING



#### Electrical Shock Hazard

**Plug into a grounded 3 prong outlet.**

**Do not remove ground prong.**

**Do not use an adapter.**

**Do not use an extension cord.**

**Failure to follow these instructions can result in death, fire, or electrical shock.**

**IMPORTANT:** The washer/dryer must be electrically grounded in accordance with local codes and ordinances or, in the absence of local codes, with the National Electrical Code, ANSI/NFPA 70, latest edition, or Canadian Electrical Code, CSA C22.1. If codes permit and a separate ground wire is used, it is recommended that a qualified electrical installer determine that the ground path is adequate.

A copy of the above code standards can be obtained from:

National Fire Protection Association  
One Batterymarch Park, Quincy, MA 02269  
CSA International  
8501 East Pleasant Valley Road  
Cleveland, Ohio 44131-5575

- Do not ground to a gas pipe.
- Do not have a fuse in the neutral or ground circuit.
- A 120 volt, 60 Hz, AC only, 15- or 20-amp, fused electrical circuit is required. A time-delay fuse or circuit breaker is also recommended. It is recommended that a separate circuit serving only this washer/dryer be provided.
- This washer/dryer is equipped with a power supply cord having a 3-prong grounding plug.
- To minimize the possibility of shock, the cord must be plugged into a mating, 3 prong, grounding-type outlet, grounded in accordance with local codes and ordinances. If a mating outlet is not available, it is the personal responsibility and obligation of the customer to have the properly grounded outlet installed by a qualified electrician.
- If codes permit and a separate ground wire is used, it is recommended that a qualified electrician determine that the ground path is adequate.
- Check with a qualified electrician if you are not sure the washer/dryer is properly grounded.

## Stacked Washer/Gas Dryer Grounding

### GROUNDING INSTRUCTIONS

#### For a grounded, cord-connected washer:

This washer must be grounded. In the event of a malfunction or breakdown, grounding will reduce the risk of electrical shock by providing a path of least resistance for electric current. This washer is equipped with a cord having an equipment-grounding conductor and a grounding plug. The plug must be plugged into an appropriate outlet that is properly installed and grounded in accordance with all local codes and ordinances.

**WARNING:** Improper connection of the equipment-grounding conductor can result in a risk of electric shock. Check with a qualified electrician or serviceman if you are in doubt as to whether the appliance is properly grounded.

Do not modify the plug provided with the appliance – if it will not fit the outlet, have a proper outlet installed by a qualified electrician.

#### For a permanently connected washer:

This washer must be connected to a grounded metal, permanent wiring system, or an equipment grounding conductor must be run with the circuit conductors and connected to the equipment-grounding terminal or lead on the appliance.

### GROUNDING INSTRUCTIONS

#### ■ For a grounded, cord-connected dryer:

This dryer must be grounded. In the event of malfunction or breakdown, grounding will reduce the risk of electric shock by providing a path of least resistance for electric current. This dryer uses a cord having an equipment-grounding conductor and a grounding plug. The plug must be plugged into an appropriate outlet that is properly installed and grounded in accordance with all local codes and ordinances.

#### ■ For a permanently connected dryer:

This dryer must be connected to a grounded metal, permanent wiring system, or an equipment-grounding conductor must be run with the circuit conductors and connected to the equipment-grounding terminal or lead on the dryer.

**WARNING:** Improper connection of the equipment-grounding conductor can result in a risk of electric shock. Check with a qualified electrician or service representative or personnel if you are in doubt as to whether the dryer is properly grounded. Do not modify the plug on the power supply cord: if it will not fit the outlet, have a proper outlet installed by a qualified electrician.

### SAVE THESE INSTRUCTIONS

# STACKED WASHER/GAS DRYER INSTALLATION REQUIREMENTS

---

## Stacked Washer/Gas Dryer Gas Supply

---

### **⚠ WARNING**



#### **Explosion Hazard**

**Use a new CSA International approved gas supply line.**

**Install a shut-off valve.**

**Securely tighten all gas connections.**

**If connected to LP, have a qualified person make sure gas pressure does not exceed 13" (330 mm) water column.**

**Examples of a qualified person include:**

**licensed heating personnel,  
authorized gas company personnel, and  
authorized service personnel.**

**Failure to do so can result in death, explosion, or fire.**

**IMPORTANT:** Observe all governing codes and ordinances.

This installation must conform with all local codes and ordinances. In the absence of local codes, installation must conform with American National Standard, National Fuel Gas Code ANSI Z223.1/NFPA 54 or CAN/CSA B149.

A copy of the above code standards can be obtained from:

National Fire Protection Association  
One Batterymarch Park, Quincy, MA 02269  
CSA International  
8501 East Pleasant Valley Road  
Cleveland, Ohio 44131-5575

The design of this washer/dryer has been certified by CSA International for use at altitudes up to 10,000 feet (3048 m) above sea level at the B.T.U. rating indicated on the model/serial plate. Burner input adjustments are not required when the washer/dryer is operated up to this elevation.

When installed above 10,000 feet (3048 m), a four percent (4%) reduction of the burner B.T.U. rating shown on the model/serial plate is required for each 1,000 foot (305 m) increase in elevation. For assistance when converting to other gas types and/or installing above 10,000 feet (3048 m) elevation, contact your local service company.

# STACKED WASHER/ELECTRIC DRYER INSTALLATION REQUIREMENTS

## Stacked Washer/Electric Dryer Location

### ⚠ WARNING



#### Explosion Hazard

Keep flammable materials and vapors, such as gasoline, away from dryer.

Do not install in a garage.

Failure to do so can result in death, explosion, or fire.

Selecting the proper location for your washer/dryer improves performance and minimizes noise and possible washer “walk.”

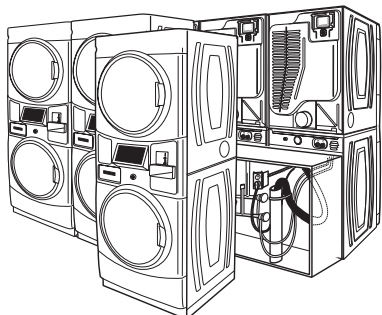
Your washer/dryer can be installed in a basement, laundry room, or recessed area. See “Drain System.”

Companion appliance location requirements should also be considered.

**IMPORTANT:** Do not install or store the washer/dryer where it will be exposed to the weather. Do not store or operate the washer/dryer in temperatures at or below 32°F (0°C). Some water can remain in the washer and can cause damage in low temperatures. Proper installation is your responsibility.

#### You will need:

- A water heater set to deliver 120°F (49°C) water to the washer.
- A grounded electrical outlet located within 6 ft. (1.8 m) of where the power cord is attached to the back of the washer. See “Electrical Requirements.”
- Hot and cold water faucets located within 4 ft. (1.2 m) of the hot and cold water fill valves, and water pressure of 20–100 psi (137.9–689.6 kPa).
- A level floor with a maximum slope of 1" (25 mm) under entire washer/dryer. Installing the washer/dryer on soft floor surfaces, such as carpets or surfaces with foam backing, is not recommended.
- A sturdy and solid floor to support the washer/dryer with a total weight (water and load) of 450 lbs (204 kg).
- A floor drain under the bulkhead. Prefabricated bulkheads with electrical outlets, water inlet lines, and drain facilities should be used only where local codes permit.



#### Stacked washer/electric dryer installation clearances

- The location must be large enough to allow the washer and dryer doors to be fully opened.
- Additional spacing should be considered for ease of installation and servicing. The doors open more than 180°. The washer door is not reversible.
- Additional clearances might be required for wall, door, and floor moldings.
- Additional spacing of 1" (25 mm) on all sides of the washer/dryer is recommended to reduce noise transfer.
- Companion appliance spacing should also be considered.

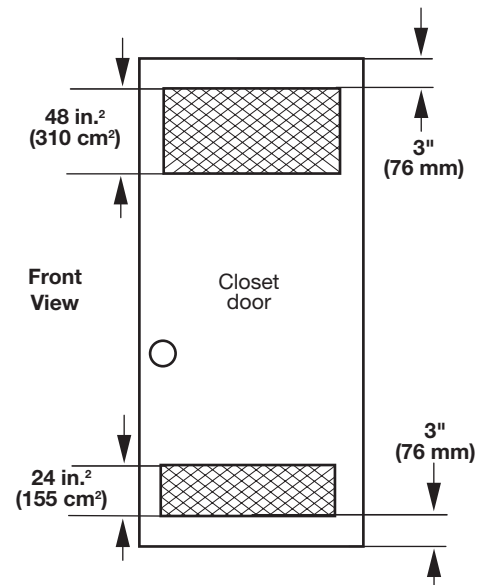
#### Recessed Area and Closet Installation Instructions

This washer/dryer may be installed in a recessed area or closet. For recessed area and closet installations, minimum clearances can be found on the warning label on the rear of the dryer.

The installation spacing is in inches and is the minimum allowable. Additional spacing should be considered for ease of installation, servicing, and compliance with local codes and ordinances.

If closet door is installed, the minimum unobstructed air opening in the top and bottom is required. Louvered doors with equivalent air openings are acceptable.

The dryer must be exhausted outdoors.



# STACKED WASHER/ELECTRIC DRYER INSTALLATION REQUIREMENTS

## Stacked Washer/Electric Dryer Electrical Requirements

### Washer Electrical Requirements

#### **⚠ WARNING**



#### **Electrical Shock Hazard**

**Plug into a grounded 3 prong outlet.**

**Do not remove ground prong.**

**Do not use an adapter.**

**Do not use an extension cord.**

**Failure to follow these instructions can result in death, fire, or electrical shock.**

- Do not have a fuse in the neutral or ground circuit.
- This washer/dryer is equipped with a power supply cord having a 3 prong grounding plug.
- To minimize the possibility of shock, the cord must be plugged into a mating, 3 prong, grounding-type outlet, grounded in accordance with local codes and ordinances. If a mating outlet is not available, it is the personal responsibility and obligation of the customer to have the properly grounded outlet installed by a qualified electrician.
- If codes permit and a separate ground wire is used, it is recommended that a qualified electrician determine that the ground path is adequate.
- Check with a qualified electrician if you are not sure the washer is properly grounded.

### Stacked Washer/Electric Dryer Grounding

#### **GROUNDING INSTRUCTIONS**

##### **For a grounded, cord-connected washer:**

This washer must be grounded. In the event of a malfunction or breakdown, grounding will reduce the risk of electrical shock by providing a path of least resistance for electric current. This washer is equipped with a cord having an equipment-grounding conductor and a grounding plug. The plug must be plugged into an appropriate outlet that is properly installed and grounded in accordance with all local codes and ordinances.

**WARNING:** Improper connection of the equipment-grounding conductor can result in a risk of electric shock. Check with a qualified electrician or serviceman if you are in doubt as to whether the appliance is properly grounded.

Do not modify the plug provided with the appliance – if it will not fit the outlet, have a proper outlet installed by a qualified electrician.

##### **For a permanently connected washer:**

This washer must be connected to a grounded metal, permanent wiring system, or an equipment grounding conductor must be run with the circuit conductors and connected to the equipment-grounding terminal or lead on the appliance.

#### **GROUNDING INSTRUCTIONS**

##### ■ For a grounded, cord-connected dryer:

This dryer must be grounded. In the event of malfunction or breakdown, grounding will reduce the risk of electric shock by providing a path of least resistance for electric current. This dryer uses a cord having an equipment-grounding conductor and a grounding plug. The plug must be plugged into an appropriate outlet that is properly installed and grounded in accordance with all local codes and ordinances.

##### ■ For a permanently connected dryer:

This dryer must be connected to a grounded metal, permanent wiring system, or an equipment-grounding conductor must be run with the circuit conductors and connected to the equipment-grounding terminal or lead on the dryer.

**WARNING:** Improper connection of the equipment-grounding conductor can result in a risk of electric shock. Check with a qualified electrician or service representative or personnel if you are in doubt as to whether the dryer is properly grounded. Do not modify the plug on the power supply cord: if it will not fit the outlet, have a proper outlet installed by a qualified electrician.

#### **SAVE THESE INSTRUCTIONS**

# STACKED WASHER/ELECTRIC DRYER INSTALLATION REQUIREMENTS

## Dryer Electrical Requirements

### It is your responsibility:

- To contact a qualified electrical installer.
- To be sure that the electrical connection is adequate and in conformance with the National Electrical Code, ANSI/NFPA 70-latest edition and all local codes and ordinances.  
The National Electrical Code requires a 4-wire power supply connection for homes built after 1996, dryer circuits involved in remodeling after 1996, and all mobile home installations.  
A copy of the above code standards can be obtained from: National Fire Protection Association, One Batterymarch Park, Quincy, MA 02269.
- To supply the required 3 or 4 wire, single phase, 240 volt, 60 Hz., AC only electrical supply (or 3 or 4 wire, 120/208 volt electrical supply, if specified on the serial/rating plate) on a separate 30-amp circuit, fused on both sides of the line. A time delay fuse or circuit breaker is recommended. Connect to an individual branch circuit. Do not have a fuse in the neutral or grounding circuit.
- Do not use an extension cord.
- If codes permit and a separate ground wire is used, it is recommended that a qualified electrician determine that the ground path is adequate.

### Electrical Connection

To properly install your dryer, you must determine the type of electrical connection you will be using and follow the instructions provided for it here.

- This dryer is manufactured ready to install with a 3-wire electrical supply connection. The neutral ground conductor is permanently connected to the neutral conductor (white wire) within the dryer. If the dryer is installed with a 4-wire electrical supply connection, the neutral ground conductor must be removed from the external ground connector (green screw), and secured under the neutral terminal (center or white wire) of the terminal block. When the neutral ground conductor is secured under the neutral terminal (center or white wire) of the terminal block, the dryer cabinet is isolated from the neutral conductor.
- If local codes do not permit the connection of a neutral ground wire to the neutral wire, see "Optional 3-wire connection" section.
- A 4-wire power supply connection must be used when the appliance is installed in a location where grounding through the neutral conductor is prohibited. Grounding through the neutral is prohibited for (1) new branch-circuit installations, (2) mobile homes, (3) recreational vehicles, and (4) areas where local codes prohibit grounding through the neutral conductor.

### Electric Dryer Power Supply Cord

## ⚠ WARNING



### Fire Hazard

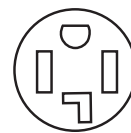
- Use a new UL listed 30 amp power supply cord.
- Use a UL listed strain relief.
- Disconnect power before making electrical connections.
- Connect neutral wire (white or center wire) to center terminal.
- Ground wire (green or bare wire) must be connected to green ground connector.
- Connect remaining 2 supply wires to remaining 2 terminals (gold).
- Securely tighten all electrical connections.
- Failure to do so can result in death, fire, or electrical shock.

### If using a power supply cord:

Use a UL listed power supply cord kit marked for use with clothes dryers. The kit should contain:

- A UL listed 30-amp power supply cord, rated 240 volt minimum. The cord should be type SRD or SRDT and be at least 4 ft. (1.22 m) long. The wires that connect to the dryer must end in ring terminals or "U" shaped spade terminals with upturned ends.
- A UL listed strain relief.

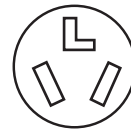
### If your outlet looks like this:



4-wire  
receptacle  
(14-30R)

Then choose a 4-wire power supply cord with ring or spade terminals and UL listed strain relief. The 4-wire power supply cord, at least 4 ft. (1.22 m) long, must have four 10-gauge copper wires and match a 4-wire receptacle of NEMA Type 14-30R. The ground wire (ground conductor) may be either green or bare. The neutral conductor must be identified by a white cover.

### If your outlet looks like this:



3-wire  
receptacle  
(10-30R)

Then choose a 3-wire power supply cord with ring or spade terminals and UL listed strain relief. The 3-wire power supply cord, at least 4 ft. (1.22 m) long, must have three 10-gauge copper wires and match a 3-wire receptacle of NEMA Type 10-30R.

# STACKED WASHER/ELECTRIC DRYER INSTALLATION REQUIREMENTS

---

## Dryer Direct Wire

### **WARNING**



#### Fire Hazard

**Use 10 gauge copper wire.**

**Use a UL listed strain relief.**

**Disconnect power before making electrical connections.**

**Connect neutral wire (white or center wire) to center terminal.**

**Ground wire (green or bare wire) must be connected to green ground connector.**

**Connect remaining 2 supply wires to remaining 2 terminals (gold).**

**Securely tighten all electrical connections.**

**Failure to do so can result in death, fire, or electrical shock.**

#### **If connecting by direct wire:**

Power supply cable must match power supply (4-wire or 3-wire) and be:

- Flexible armored cable or nonmetallic sheathed copper cable (with ground wire), covered with flexible metallic conduit. All current-carrying wires must be insulated.
- 10-gauge solid copper wire (do not use aluminum).
- At least 5 ft. (1.52 m) long.



# DRYER VENTING REQUIREMENTS

## ⚠ WARNING



### Fire Hazard

Use a heavy metal vent.

Do not use a plastic vent.

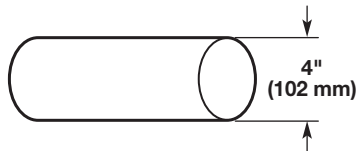
Do not use a metal foil vent.

Failure to follow these instructions can result in death or fire.

**WARNING:** To reduce the risk of fire, this dryer MUST BE EXHAUSTED OUTDOORS.

**IMPORTANT:** Observe all governing codes and ordinances.

Dryer exhaust must not be connected into any gas vent, chimney, wall, ceiling, attic, crawlspace, or a concealed space of a building. Only rigid or flexible metal vent shall be used for exhausting.



4" (102 mm) heavy, metal exhaust vent

- Only a 4" (102 mm) heavy, metal exhaust vent and clamps may be used.
- Do not use plastic or metal foil vent.

### Rigid metal vent:

- Recommended for best drying performance and to avoid crushing and kinking.

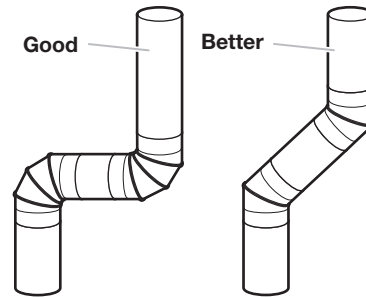
**Flexible metal vent:** (Acceptable only if accessible to clean)

- Must be fully extended and supported in final dryer location.
- Remove excess to avoid sagging and kinking that may result in reduced airflow and poor performance.
- Do not install in enclosed walls, ceilings, or floors.
- The total length should not exceed 7¾ ft. (2.4 m).

**NOTE:** If using an existing vent system, clean lint from entire length of the system and make sure exhaust hood is not plugged with lint. Replace plastic or metal foil vents with rigid metal or flexible metal vents. Review "Vent System Chart" and if necessary, modify existing vent system to achieve best drying performance.

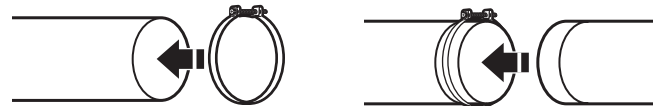
### Elbows:

- 45° elbows provide better airflow than 90° elbows.



### Clamps:

- Use clamps to seal all joints.
- Exhaust vent must not be connected or secured with screws or other fastening devices that extend into interior of duct and catch lint. Do not use duct tape.



**Improper venting can cause moisture and lint to collect indoors, which may result in:**

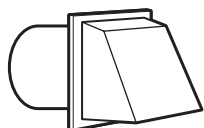
- Moisture damage to woodwork, furniture, paint, wallpaper, carpets, etc.
- Housecleaning problems and health problems.



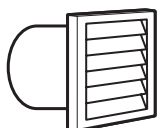
# DRYER VENTING REQUIREMENTS

## Vent Hoods

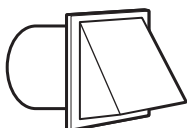
### 4" (102 mm) Diameter Exhaust Hoods



box hood

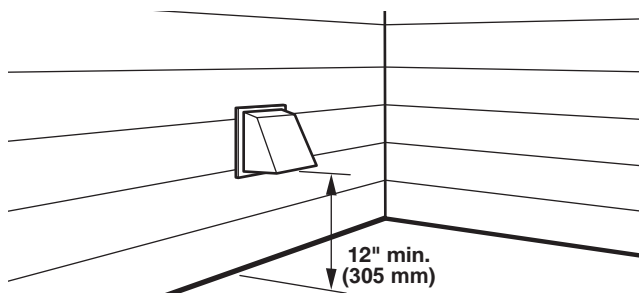


louvered hood



angled hood

Exhaust hood must be at least 12" (305 mm) from the ground or any object that may be in the path of the exhaust (such as flowers, rocks, bushes, or snow).



## Vent System Length

### Maximum Vent Length/Vent Connection

Maximum length of vent system depends upon the type of vent used, number of elbows, and type of exhaust hood.

#### Vent System Chart (Rigid Metal Vent)

No. of 90° Turns	Box and Louvered Hood	Angled Hood
0	135 ft. (41.2 m)	129 ft. (39.3 m)
1	125 ft. (38.1 m)	119 ft. (36.3 m)
2	115 ft. (35.1 m)	109 ft. (33.2 m)
3	106 ft. (32.3 m)	100 ft. (30.5 m)
4	98 ft. (29.9 m)	92 ft. (28.0 m)

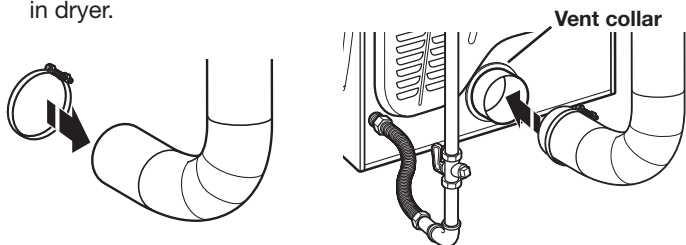
For vent systems not covered by the vent specification chart, see your parts distributor.

Provision must be made for enough air for combustion and ventilation. (Check governing codes and ordinances.) See "Recessed Area and Closet Installation Instructions" in the "Stacked Washer/Gas Dryer Location" and "Stacked Washer/Electric Dryer Location" sections.

A 4" (102 mm) outlet hood is preferred. However, a 2½" (64 mm) outlet exhaust hood may be used. A 2½" (64 mm) outlet creates greater back pressure than other hood types. For permanent installation, a stationary vent system is required.

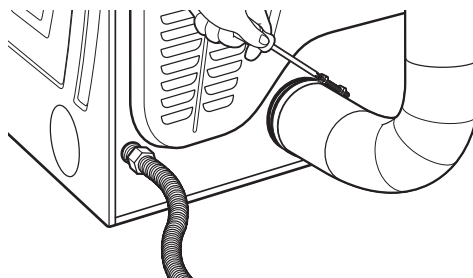
### Connect Vent

1. If connecting to existing vent, make sure the vent is clean.
2. Using a 4" (102 mm) clamp, connect vent to exhaust outlet in dryer.

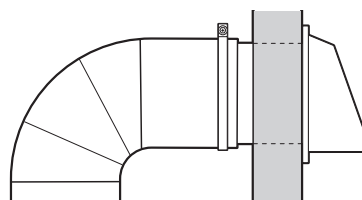


**NOTE:** Do not remove vent collar.

3. Tighten hose clamp with Phillips screwdriver.



4. Make sure the vent is secured to exhaust hood with a 4" (102 mm) clamp.

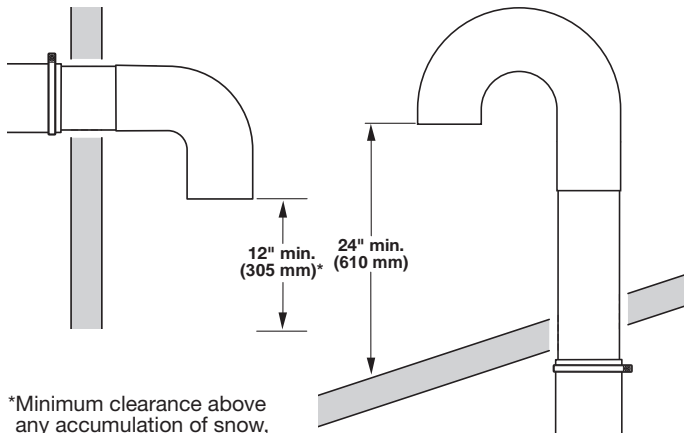


5. Move dryer into final position. Do not crush or kink vent. Make sure dryer is level.

# DRYER VENTING REQUIREMENTS

## If an Exhaust Hood Cannot be Used

The outside end of main vent should have a sweep elbow directed downward.



If main vent travels vertically through the roof, rather than through wall, install a 180° sweep elbow on end of vent at least 2 ft. (610 mm) above surface of roof.

The opening in wall or roof shall have a diameter 1/2" (13 mm) larger than vent diameter. Vent should be centered in opening.

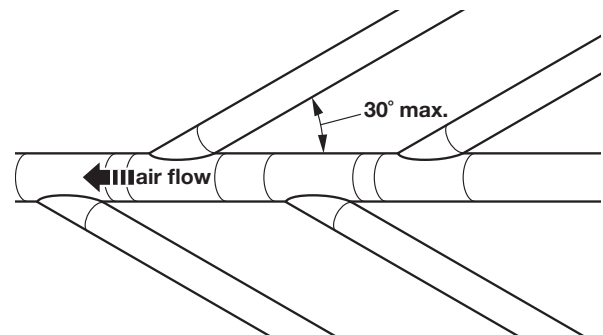
Do not install screening over end of vent for best performance.

## Multiple Dryer Venting

A main vent can be used for venting a group of dryers. The main vent should be sized to remove 200 CFM of air per dryer. Large-capacity lint screens of proper design may be used in main vent if checked and cleaned frequently. The room where the dryers are located should have make-up air equal to or greater than CFM of all the dryers in the room.

Back-draft Damper Kit, Part No. 3391910, is available from your distributor and should be installed in the vent of each dryer to keep exhausted air from returning into dryers and to keep exhaust in balance within main vent. Unobstructed return air openings are required.

Each vent should enter the main vent at an angle pointing in the direction of the airflow. Vents entering from the opposite side should be staggered to reduce the exhausted air from interfering with the other vents.



The maximum angle of each vent entering the main vent should be no more than 30°.

# DRYER GAS SUPPLY REQUIREMENTS

## Type of Gas

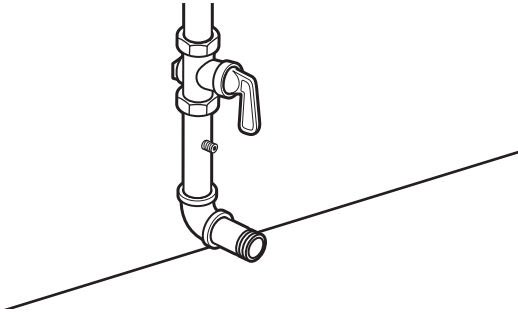
This dryer is equipped for use with natural gas. It is design-certified by CSA International for LP (propane and butane) gases with appropriate conversion. No attempt shall be made to convert dryer from gas specified on serial/rating plate for use with a different gas without consulting the serving gas supplier. Conversion must be done by a qualified service technician.

Gas conversion kit part numbers are listed on gas valve burner base.

## Gas Supply Line

### Recommended Method

Provide a gas supply line of 1/2" (13 mm) rigid (IPS) pipe to dryer location. Pipe joint compounds that resist action of LP gas must be used. Do not use TEFLON<sup>†</sup> tape. With LP gas, piping or tubing size can be 1/2" (13 mm) minimum. Usually, LP gas suppliers determine size and materials used in the system.



### Gas Supply Pressure Testing

A 1/8" (3 mm) NPT minimum plugged tapping, accessible for gauge testing, must be installed immediately downstream of the installed shut-off valve to the dryer (as shown above). The dryer must be disconnected from the gas supply piping system during any pressure testing of the system at test pressures in excess of 1/2" psig (352 kg/m<sup>2</sup>).

### Alternate Method

The gas supply may also be connected using 3/8" (10 mm) approved copper or aluminum tubing. If the total length of the supply line is more than 20 ft. (6.1 m), larger tubing will be required.

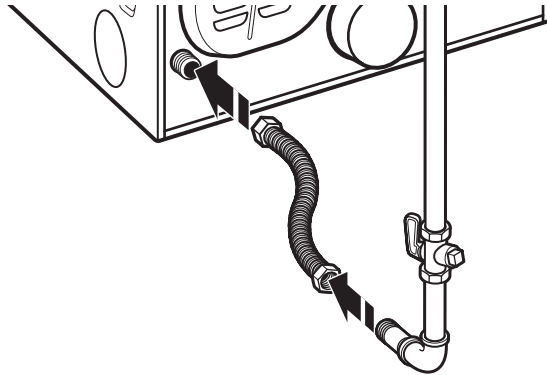
If using natural gas, do not use copper tubing. Pipe joint compounds that resist action of type of gas supplied must be used.

### Shut-off valve required

The supply line must be equipped with a manual shut-off valve installed within 6 ft. (1.8 m) of dryer in accordance with National Fuel Gas Code, ANSI Z223.1. This valve should be located in same room as dryer. It should be in a location that allows ease of opening and closing. Do not block access to shut-off valve. In Canada, an individual manual shut-off valve must be installed in accordance with the B149 installation codes CAN/CGA B149.1 and CAN/CGA B149.2.

### Flexible Metal Appliance Connector

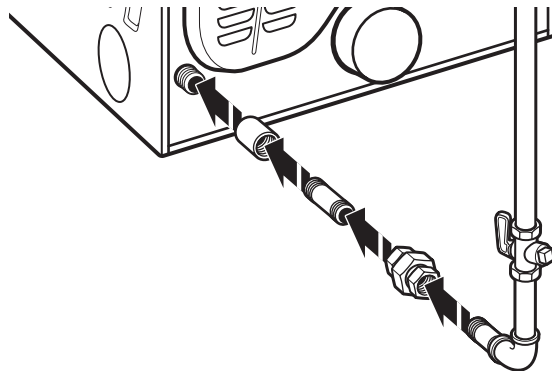
It is recommended that a new flexible stainless steel gas line, design-certified by CSA International, be used for connecting the dryer to the gas supply line. (The gas pipe which extends through the lower rear of the dryer is provided with 3/8" (10 mm) male pipe thread.)



**NOTE:** Do not kink or damage the flexible stainless steel gas line when moving the door.

### Rigid Pipe Connection

The rigid pipe connection requires a combination of pipe fittings to obtain an in-line connection to dryer.



<sup>†</sup>TEFLON is a registered trademark of E.I. Du Pont De Nemours and Company.

# INSTALLING STACKED WASHER/DRYER

## Remove Transport System

**NOTE:** Slide washer/dryer onto cardboard or hardboard before moving to avoid damaging floor covering.

### **⚠ WARNING**

#### **Excessive Weight Hazard**

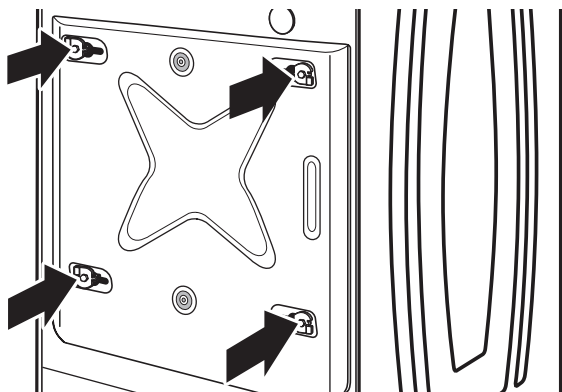
**Use two or more people to move and install washer/dryer.**

**Failure to do so can result in back or other injury.**

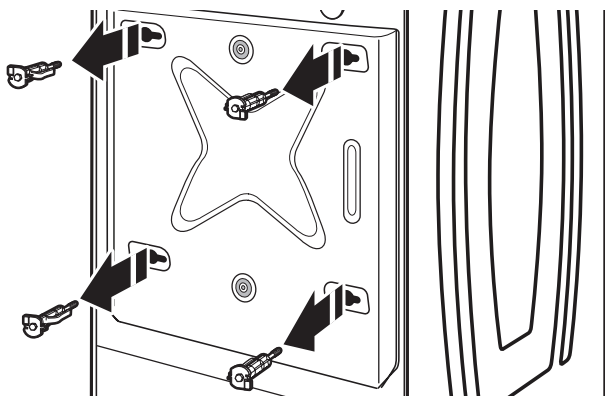
**IMPORTANT:** Position the washer/dryer so that the rear of the washer is within approximately 3 ft. (900 mm) of its final location.

There are 4 shipping bolts in the rear panel of the washer that support the suspension system during transportation. These bolts also retain the power cord inside the washer until the bolts are removed.

1. Keep the washer/dryer in the upright position while removing the shipping bolts.
2. Using a 1/2" (13 mm) wrench, loosen each of the bolts.

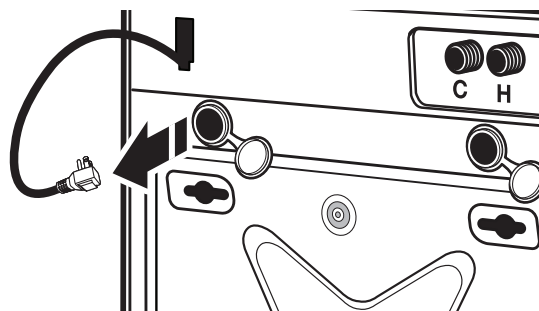
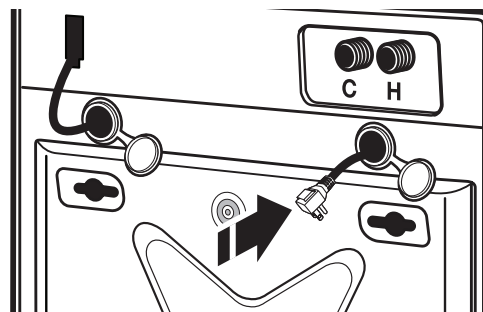


3. Once the bolt is loose, move it to the center of the hole and completely pull out the bolt, including the plastic spacer covering the bolt. Once all 4 bolts are removed, discard the bolts and spacers.

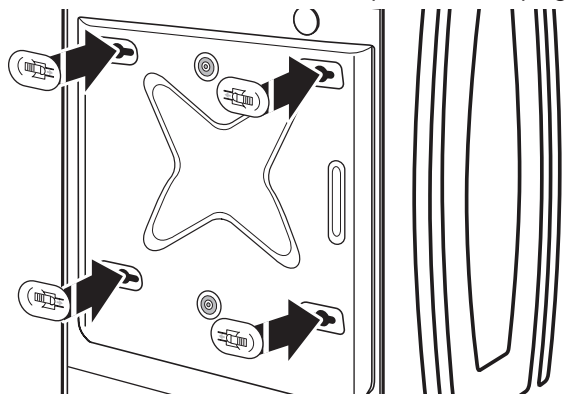


4. Models with separate washer power cords: Push the power cord plug into the opening on the right side of the rear panel and pull the power cord through the opening on the left side of the rear panel and close holes with the attached cap. Do not pull plug end of power cord through the right side hole.

**NOTE:** To avoid damage to internal washer parts or the power cord, if the cord does not pull out of the washer rear panel easily, do not force it. Remove the washer rear panel and guide the power cord around the obstruction and out the hole on the left side of the rear panel.



5. Close the bolt holes with the 4 transport bolt hole plugs.

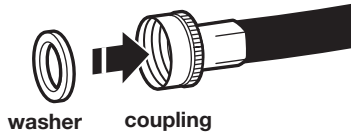


**IMPORTANT:** If the washer/dryer is to be transported, call your product distributor or installer. To avoid suspension and structural damage, your washer/dryer must be properly set up for relocation by a trained professional.

# INSTALLING STACKED WASHER/DRYER

## Connect Inlet Hoses

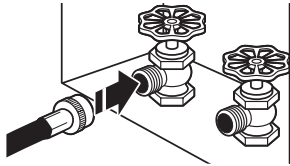
Insert new hose washers (supplied) into each end of the inlet hoses. Firmly seat the washers in the couplings.



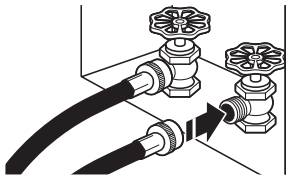
## Connect Inlet Hoses to Water Faucets

Make sure the washer drum is empty.

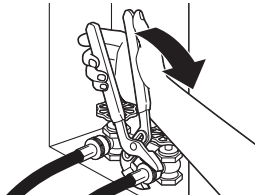
1. Attach a hose to the hot water faucet. Screw on coupling by hand until it is seated on the washer.



2. Attach a hose to the cold water faucet. Screw on coupling by hand until it is seated on the washer.



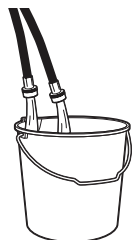
3. Using pliers, tighten the couplings with an additional two-thirds turn.



**NOTE:** Do not overtighten or use tape or sealants on the valve. Damage to the valves can result.

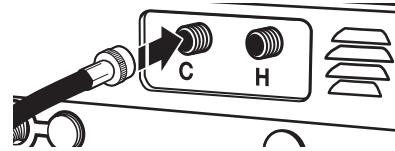
## Clear Water Lines

- Run water through both faucets and inlet hoses, into a laundry tub, drainpipe, or bucket, to get rid of particles in the water lines that might clog the inlet valve screens.
- Check the temperature of the water to make sure that the hot water hose is connected to the hot water faucet and that the cold water hose is connected to the cold water faucet.

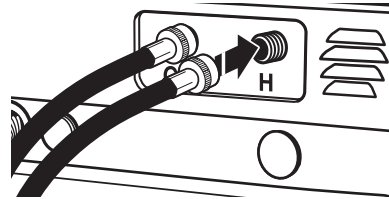


## Connect Inlet Hoses to Washer

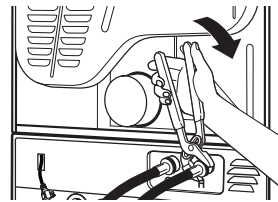
1. Attach the cold water hose to the washer's cold water inlet valve. Screw on coupling by hand until it is seated on the washer.



2. Attach the hot water hose to the washer's hot water inlet valve. Screw on coupling by hand until it is seated on the washer.

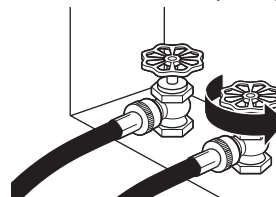


3. Using pliers, tighten the couplings with an additional two-thirds turn.



4. Turn on the water faucets completely and check for leaks.

**NOTE:** Do not overtighten. Damage to the valve can result.



**NOTE:** Replace inlet hoses after 5 years of use to reduce the risk of hose failure. Record hose installation or replacement dates on the hoses for future reference.

Periodically inspect and replace hoses if bulges, kinks, cuts, wear, or leaks are found.

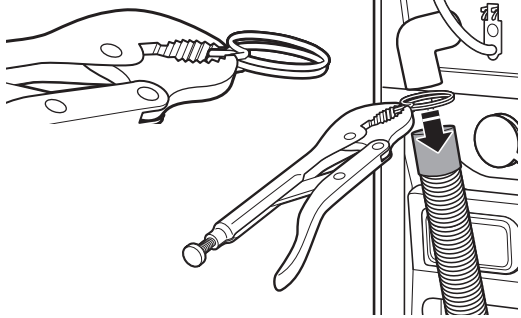
# INSTALLING STACKED WASHER/DRYER

## Route Drain Hose

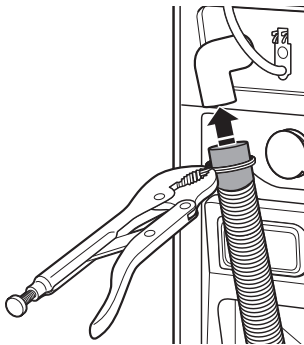
Proper routing of the drain hose avoids damage to your floor due to water leakage. Read and follow these instructions.

### Remove drain hose from the washer drum

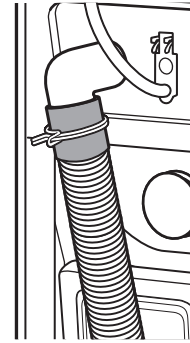
1. Using locking pliers, squeeze hose clamp tabs together and insert over the end of the drain hose.



2. Slide the drain hose onto the washer connection.



3. Once the drain hose is in place, release the pliers.



4. The washer drain system can be installed using a floor drain, wall standpipe, floor standpipe, or laundry tub.

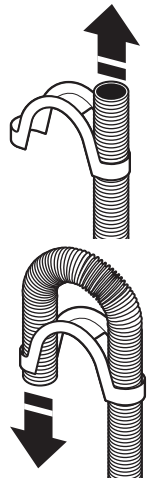
### Laundry tub drain or standpipe drain

Connect the drain hose form to the corrugated drain hose.

Snap either end of the drain hose form to the drain hose at the point where the corrugation begins.

Bend drain hose over drain hose form and snap into place.

**NOTE:** Hose must not extend more than 1" (25 mm) past the end of the U bend.



### To keep drain water from going back into the washer:

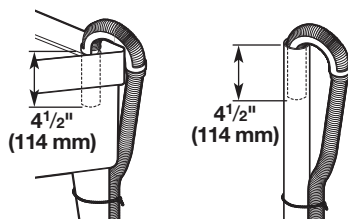
- Do not straighten the drain hose, do not force excess drain hose into standpipe. Hose should be secure, but loose enough to provide a gap for air.
- Do not lay excess hose on the bottom of the laundry tub.

### Floor drain

You may need additional parts. See "Alternate Parts."

## Secure Drain Hose

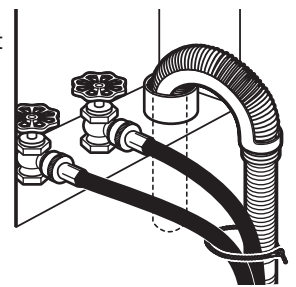
1. Drape the power cord over the washer top.
2. Move the washer to its final location.
3. Place the drain hose in the laundry tub or standpipe as shown.
4. Secure the drain hose using the supplied beaded tie strap.



5. If the washer faucets and the drain standpipe are recessed, put the hooked end of the drain hose in the standpipe as shown.

### NOTES:

- Do not force excess drain hose back into the rear of the washer.
- To avoid siphoning, do not seal the drain hose into the standpipe.



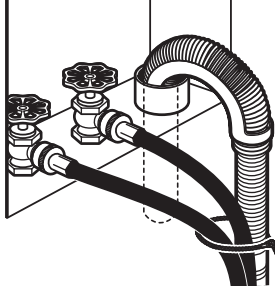
# WASHER DRAIN SYSTEM

The washer can be installed using the standpipe drain system (floor or wall), the laundry tub drain system, or the floor drain system.

## Standpipe drain system – wall or floor

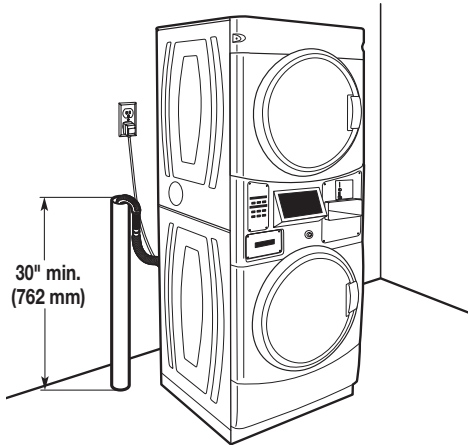
The standpipe drain requires a minimum diameter standpipe of 2" (50 mm). The minimum carry-away capacity can be no less than 10 gal. (38 L) per minute.

### Wall



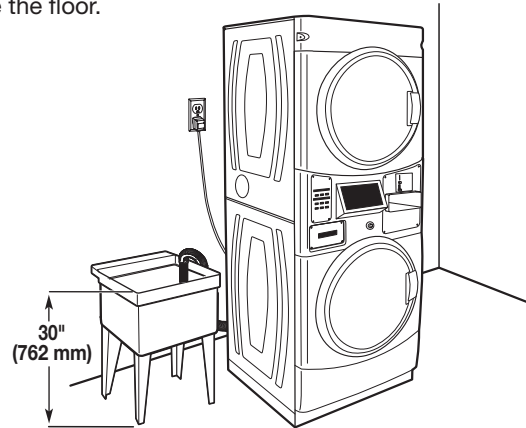
The top of the standpipe must be at least 30" (762 mm) high and no higher than 96" (2.4 m) from the bottom of the washer.

### Floor



## Laundry tub drain system

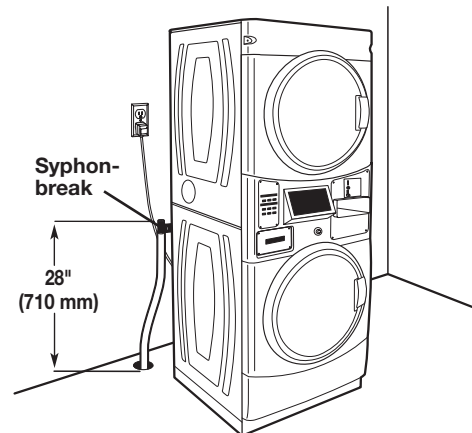
The laundry tub needs a minimum 20 gal. (76 L) capacity. The top of the laundry tub must be at least 30" (762 mm) above the floor.



## Floor drain system

The floor drain system requires a siphon break that may be purchased separately.

The siphon break (Part Number 285834) must be a minimum of 28" (710 mm) from the bottom of the washer. Additional hoses might be needed.

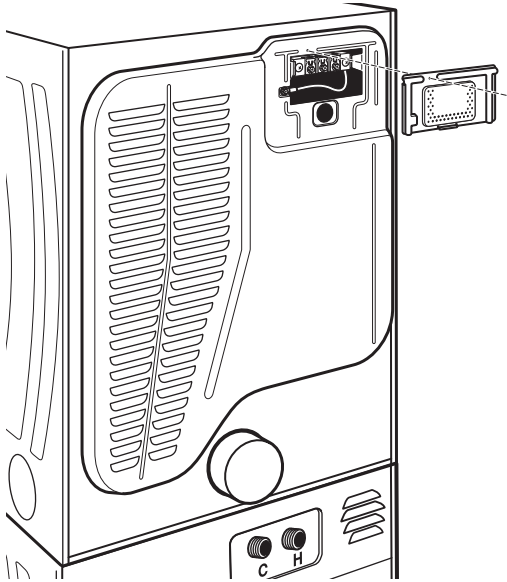




# ELECTRIC DRYER ELECTRICAL CONNECTIONS

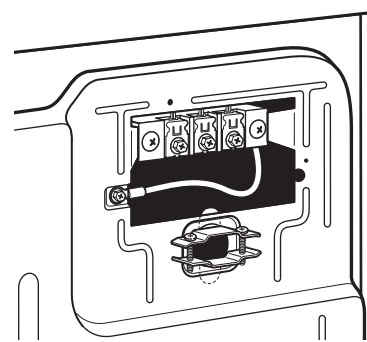
## Strain Relief

### Remove Terminal Block Cover

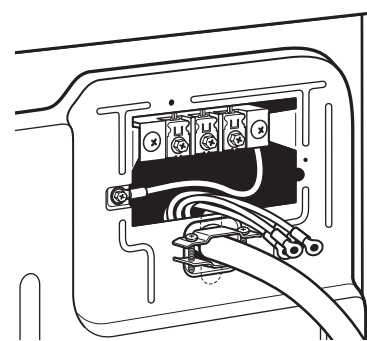


### Power Supply Cord Strain Relief

1. Insert strain relief.



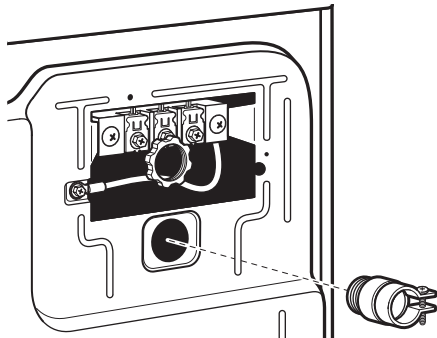
2. Insert power cord into strain relief.



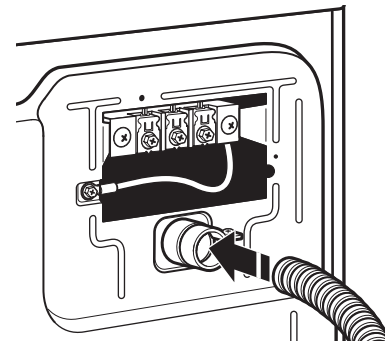
## Strain Relief

### Direct Wire Strain Relief

1. Insert strain relief.



2. Insert conduit into strain relief and tighten clamp.

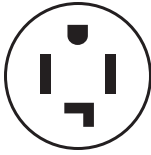


# ELECTRIC DRYER ELECTRICAL CONNECTIONS

## Connection Options

### Power Cord

4-wire receptacle (NEMA Type 14-30R)

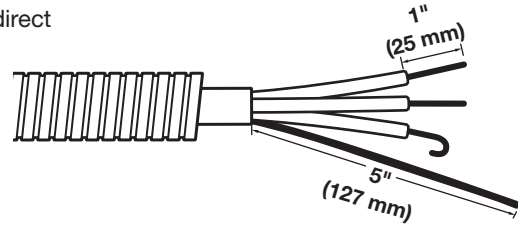


3-wire receptacle (NEMA Type 10-30R)

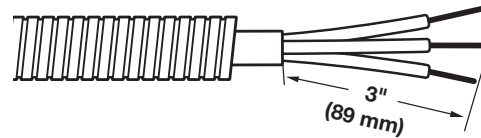


### Direct Wire

4-wire direct



3-wire direct



## Connecting 4-Wire Connection: Power Supply Cord

**IMPORTANT:** A 4-wire connection is required for mobile homes and where local codes do not permit the use of 3-wire connections.

### Standard Power Supply Cord Connectors



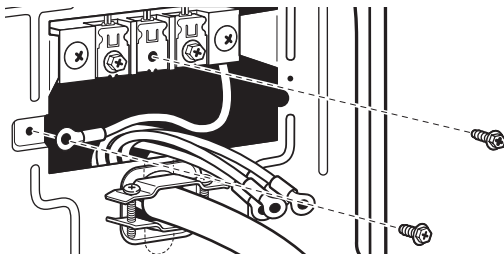
Flanged spade connector



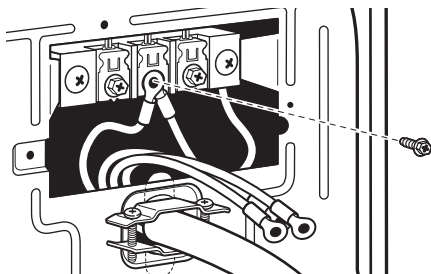
Ring Connector

### Connecting Ground and Neutral Wires

1. Remove center terminal block screw and the ground wire by removing the external ground connector screw.

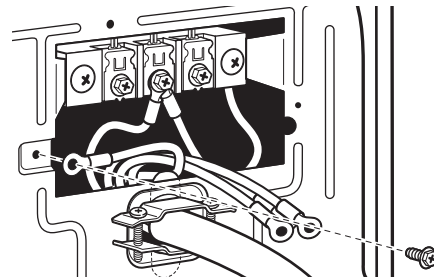


2. Connect ground and neutral wire to center terminal block.



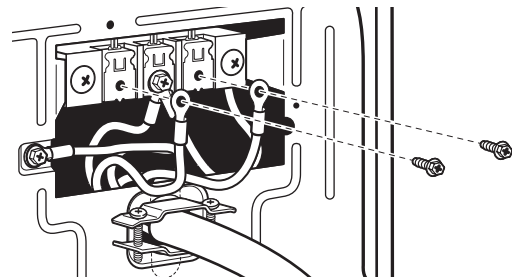
### Connecting Direct Wire Ground

3. Connect ground wire (green or bare) with external ground connector screw.



### Connecting Remaining Wires

4. Connect remaining wires with outer terminal block screws.



# ELECTRIC DRYER ELECTRICAL CONNECTIONS

## Connecting 3-Wire Connection: Power Supply Cord

### Standard Power Cord Connectors



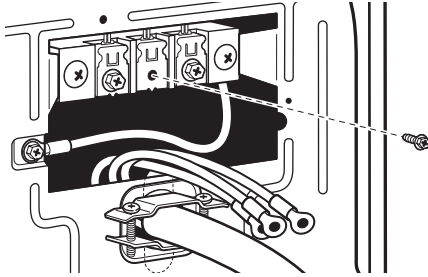
Flanged spade connector



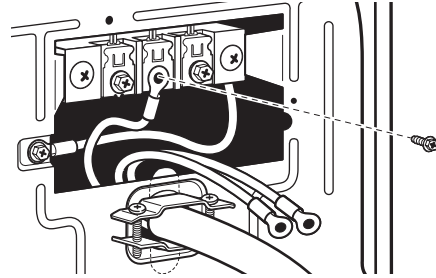
Ring Connector

### Connecting Neutral Wire

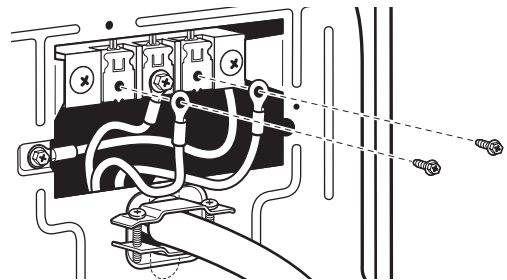
1. Loosen or remove center terminal block screw.



2. Connect neutral wire to center terminal block.



3. Connect remaining wires with outer terminal block screws.



## Connecting 4-Wire Connection: Direct Wire

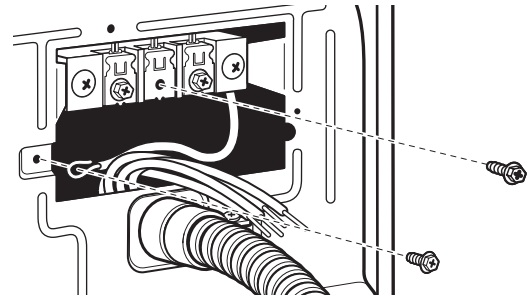
**IMPORTANT:** A 4-wire connection is required for mobile homes and where local codes do not permit the use of 3-wire connections.

Direct wire cable must have 5 ft. (1.52 m) of extra length so dryer can be moved if needed.

Strip 5" (127 mm) of outer covering from end of cable, leaving bare ground wire at 5" (127 mm). Cut 1½" (38 mm) from 3 remaining wires. Strip insulation back 1" (25 mm). Shape ends of wires into a hook shape.

### Connecting Ground and Neutral Wires

1. Remove center terminal block screw and the ground wire by removing the external ground connector screw.

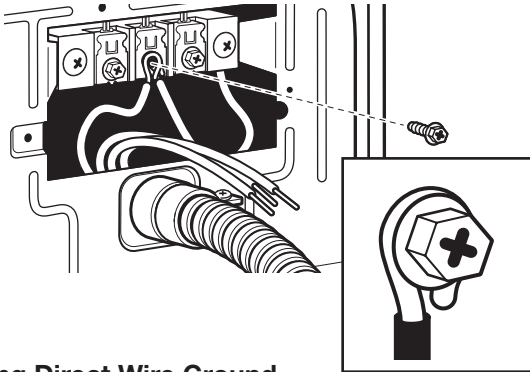


# ELECTRIC DRYER ELECTRICAL CONNECTIONS

## Connecting 4-Wire Connection: Direct Wire

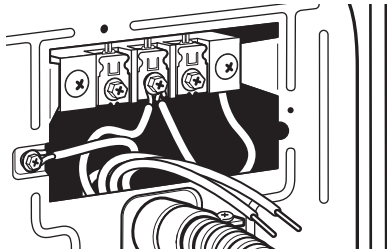
### Connecting Ground and Neutral Wires (cont.)

2. Connect ground and neutral wire to center terminal block.



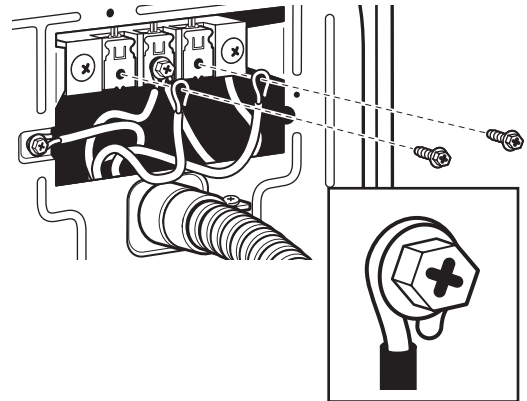
### Connecting Direct Wire Ground

3. Connect ground wire (green or bare) with external ground connector screw.



### Connecting Remaining Wires

4. Connect remaining wires to outer terminal block.



## Connecting 3-Wire Connection: Direct Wire

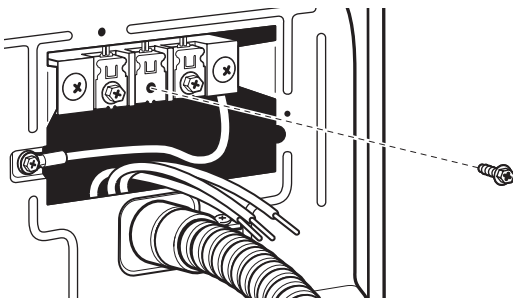
### Use where local codes permit connecting cabinet-ground conductor to neutral wire.

Direct wire cable must have 5 ft. (1.52 m) of extra length so dryer can be moved if needed.

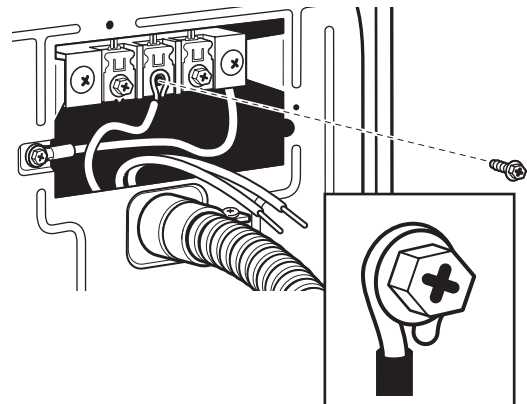
Strip 3½" (89 mm) of outer covering from end of cable. Strip insulation back 1" (25 mm). If using 3-wire cable with ground wire, cut bare wire even with outer covering. Shape ends of wires into a hook shape.

### Connecting Neutral Wire

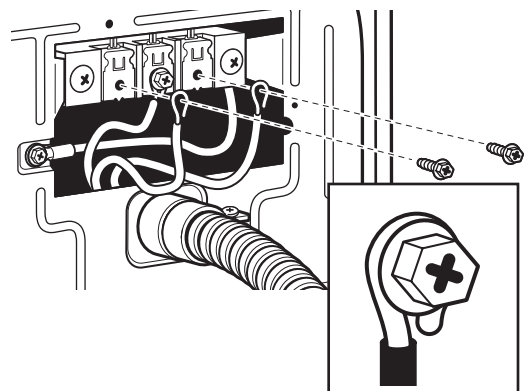
1. Loosen or remove center terminal block screw.



2. Connect neutral wire to center terminal block.



3. Connect remaining wires to outer terminal block.



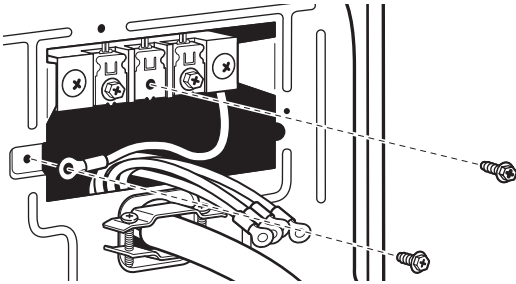
# ELECTRIC DRYER ELECTRICAL CONNECTIONS

## Connecting 3-Wire Connection: Optional

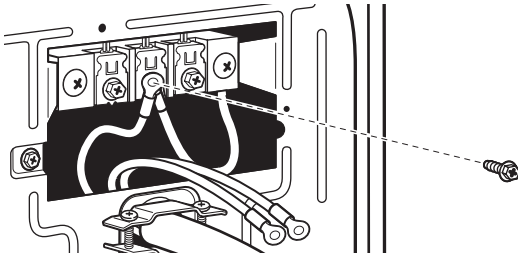
Use for direct wire or power supply cord where local codes do not permit connecting cabinet-ground conductor to neutral wire.

### Connecting Neutral Wire

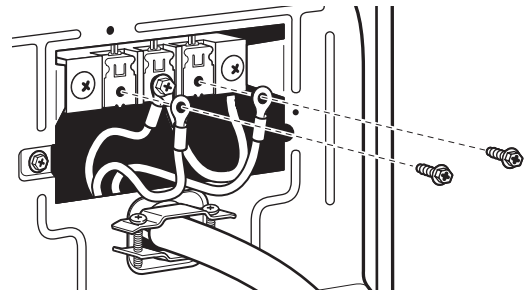
1. Remove center terminal block screw. Also remove neutral ground wire by removing external ground conductor screw.



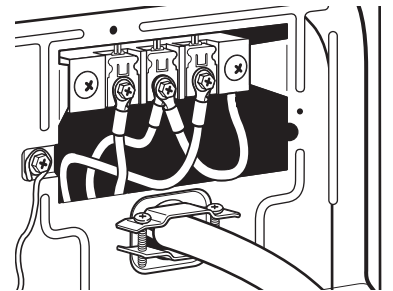
2. Connect neutral wire and neutral wire of power supply cord/cable to center terminal block.



3. Connect remaining wires to outer terminal block.



4. Connect a separate copper ground wire from the external ground conductor to an adequate ground.



## LEVELING

### Leveling Stacked Washer/Dryer

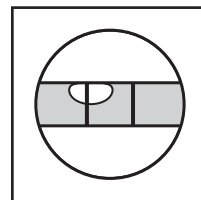
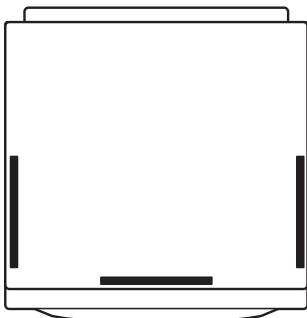
Leveling your washer/dryer properly reduces excess noise and vibration.

#### **⚠ WARNING**

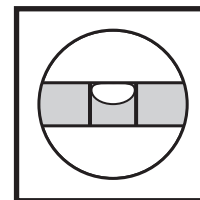
##### **Excessive Weight Hazard**

**Use two or more people to move and install washer/dryer.  
Failure to do so can result in back or other injury.**

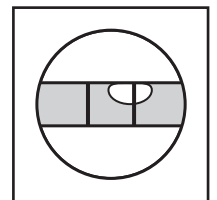
1. Remove cardboard from beneath washer/dryer. Place a level on top edges of washer/dryer, checking each side and front. If not level, tip washer/dryer and adjust feet up or down as shown in Steps 3 and 4, repeating as necessary.



Not Level



LEVEL

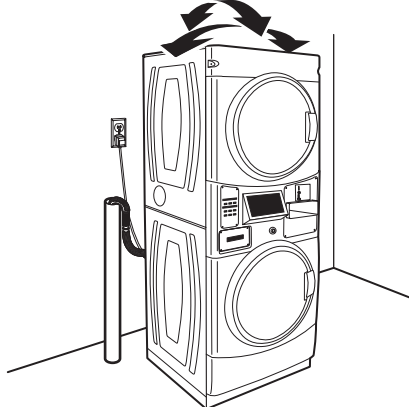


Not Level

# LEVELING

## Leveling Stacked Washer/Dryer (cont.)

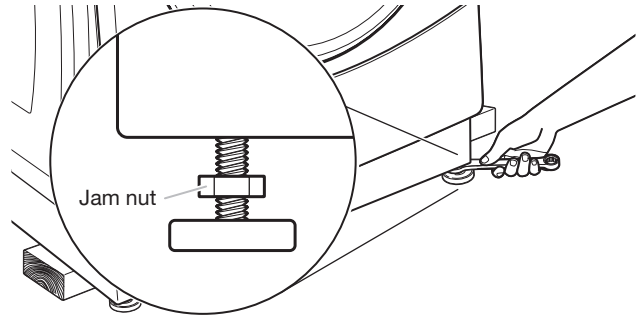
2. Grip washer/dryer from top and rock back and forth, making sure all four feet are firmly on floor. Repeat, rocking washer/dryer from side to side. If washer/dryer rocks, go to Step 3 and adjust leveling feet. If all four feet are in firm contact with floor, go to Step 4.



3. If washer/dryer is not level, use a 9/16" or 14 mm open-end or adjustable wrench to turn jam nuts clockwise (as viewed from above) on feet until they are about 1/2" (13 mm) from the washer/dryer cabinet. Then turn the leveling foot counterclockwise to lower the washer/dryer or clockwise

to raise the washer/dryer. Recheck levelness of washer/dryer and that all four feet are firmly in contact with the floor. Repeat as needed.

**HELPFUL TIP:** You may want to prop up front of washer/dryer about 4" (102 mm) with a wood block or similar object that will support weight of washer/dryer.



4. When washer/dryer is level and all four feet are firmly in contact with the floor, use a 9/16" or 14 mm open-end or adjustable wrench to turn jam nuts counterclockwise (as viewed from above) on leveling feet tightly against washer/dryer cabinet.

**HELPFUL TIP:** You may want to prop washer/dryer with wooden block.

## Complete Installation

1. Check the electrical requirements. Be sure that you have the correct electrical supply and the recommended grounding method. See "Electrical Requirements."
2. Check that all parts are now installed. If there is an extra part, go back through the steps.
3. Check that you have all of your tools.
4. Dispose of/recycle all packaging materials.
5. Check that the water faucets are on.
6. Check for leaks around faucets and inlet hoses.

8. To test and to clean your washer, measure 1/2 the detergent manufacturer's recommended amount of High Efficiency (HE) detergent for a medium-size load. Pour the detergent into the detergent dispenser. Select any cycle and allow the washer to complete one whole cycle.

9. Check dryer operation. Using a full heat cycle, let the dryer run for at least five minutes. Dryer will stop when time is used up.

**NOTE:** Dryer door must be closed for dryer to operate. When door is open, dryer stops, but timer continues to run. To restart dryer, close door and push cycle button.

If the burner does not ignite and you can feel no heat inside the dryer, shut off dryer for five minutes. Check that all supply valve controls are in "ON" position and that the electrical cord is plugged in. Repeat five-minute test.

### **! WARNING**



#### **Electrical Shock Hazard**

**Plug into a grounded 3 prong outlet.**

**Do not remove ground prong.**

**Do not use an adapter.**

**Do not use an extension cord.**

**Failure to follow these instructions can result in death, fire, or electrical shock.**

7. Plug into a grounded outlet, or connect power.

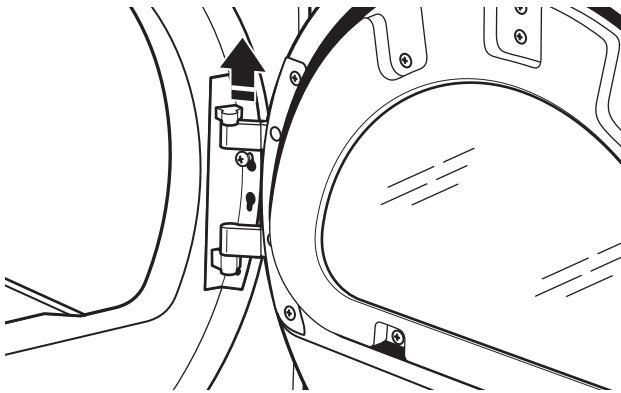
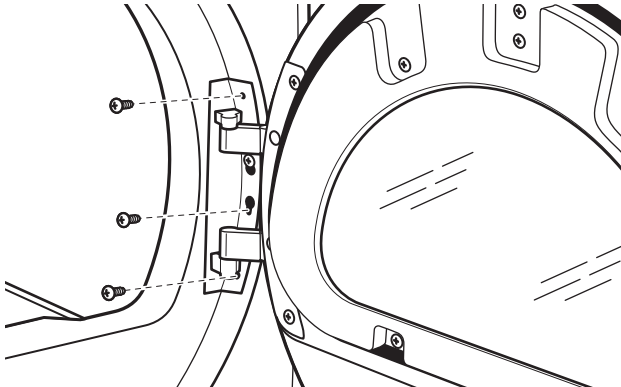


# REVERSING DRYER DOOR SWING

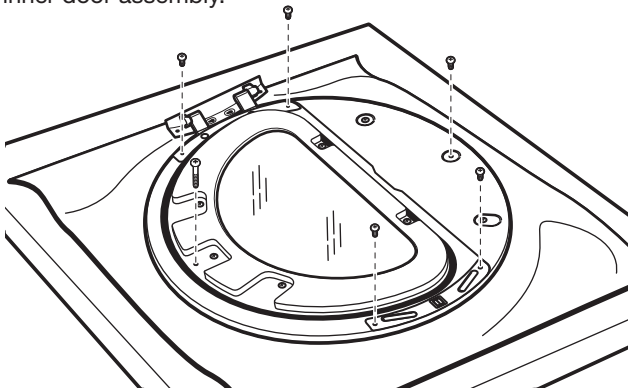
**NOTE:** Dryer only. Washer door is not reversible.

## Remove the Door Assembly

1. Place a towel or soft cloth on top of dryer or work space to avoid scratching of the surface.
2. Remove 3 of the 4 screws that hold the door hinge on the front panel of the dryer. Partially loosen the remaining screw with keyhole opening and lift the door off the screw.

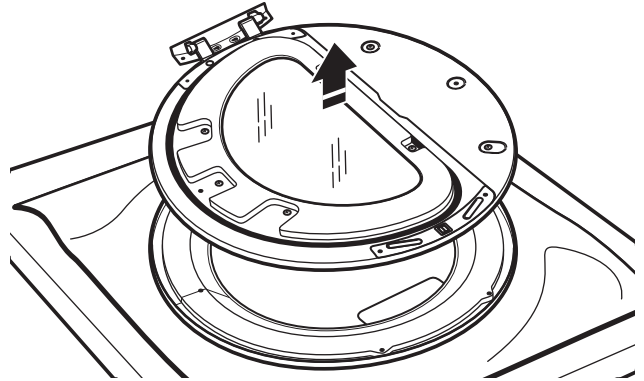


3. Lay the door assembly on a previously prepared flat surface with the inside (inner door assembly) facing up, and remove 6 phillips-head screws to release outer door assembly from inner door assembly.

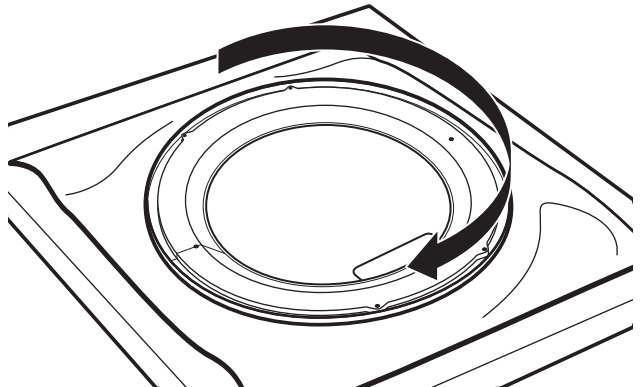


**NOTE:** It is important that you remove only 6 indicated screws.

4. Lift the inner door assembly off outer door assembly.

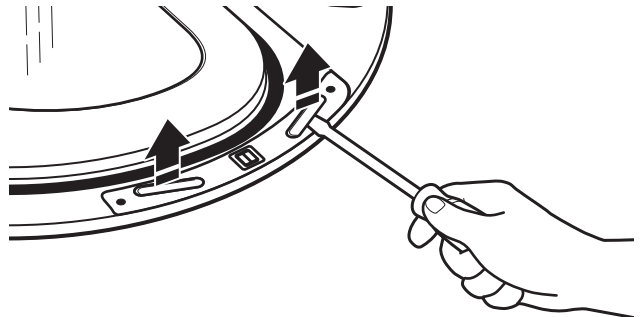


5. Rotate outer door 180°.

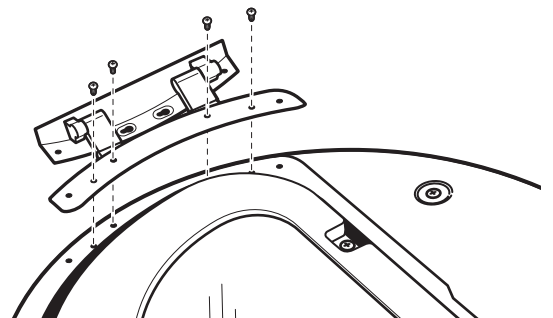


## Reverse Hinge

1. Use a small flat-blade screwdriver to remove 2 plug strips from the inner door. Slide the head of the screwdriver under the plugs, without scratching inner door surface, and lift up strip.



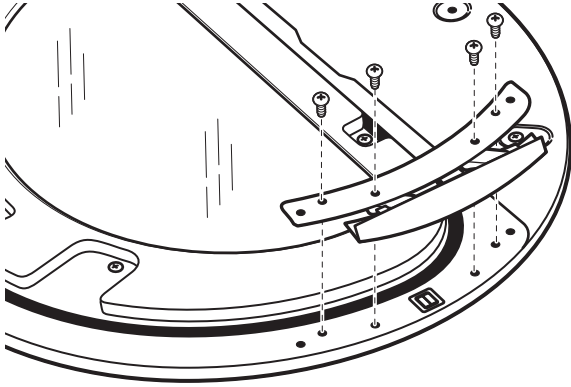
2. Remove the 4 screws that attach to inner door hinge.



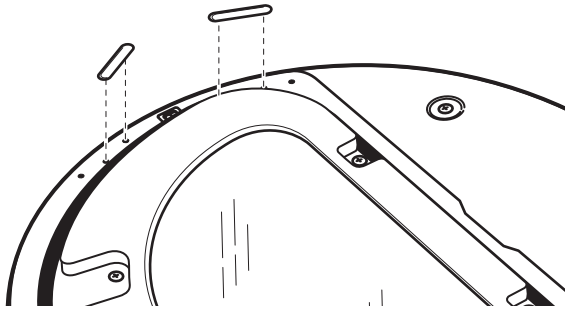


# REVERSING DRYER DOOR SWING

3. Move hinge to other side. Reinstall 4 screws.



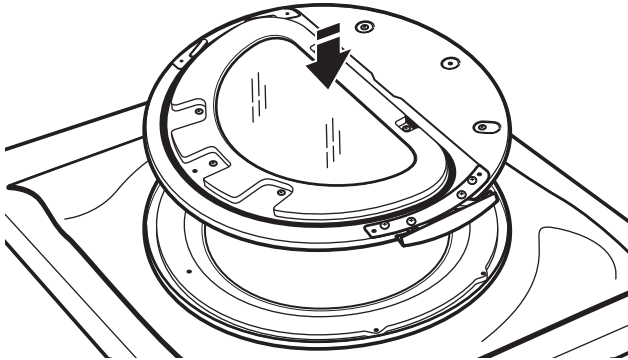
4. Reinstall plug strips on opposite side of the inner door.



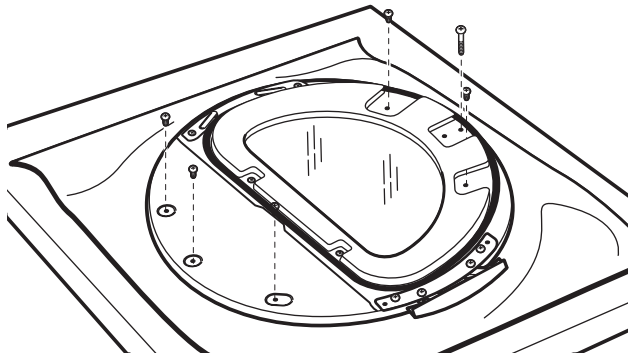
5. Check for fingerprints on the glass. Clean if necessary.

## Replace the Door Assembly

1. Place the inner door assembly inside the outer door assembly.

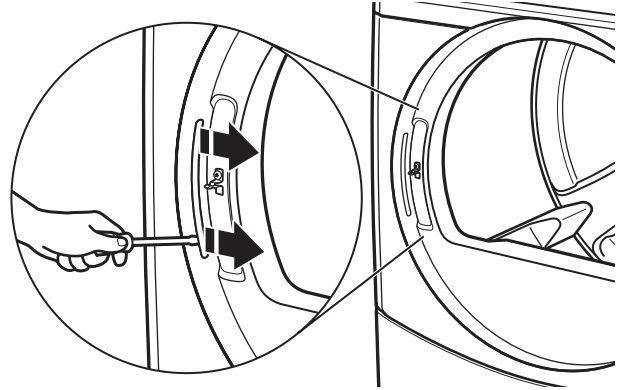


2. Reassemble the inner and outer door assemblies with the 6 screws.

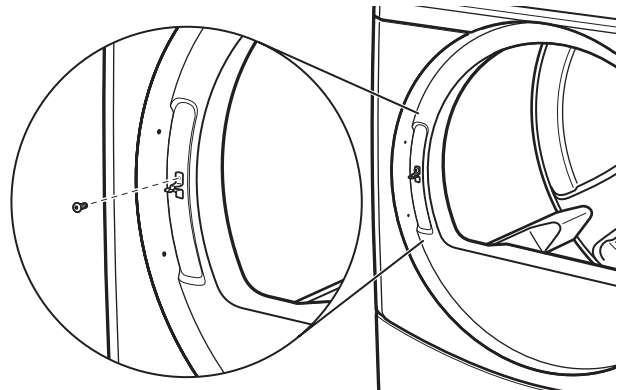


## Reverse the strike

1. Use a small flat-blade screwdriver to remove plug strip from the dryer door opening. Slide the head of the screwdriver under the plugs, without scratching dryer surface, and lift up strip.



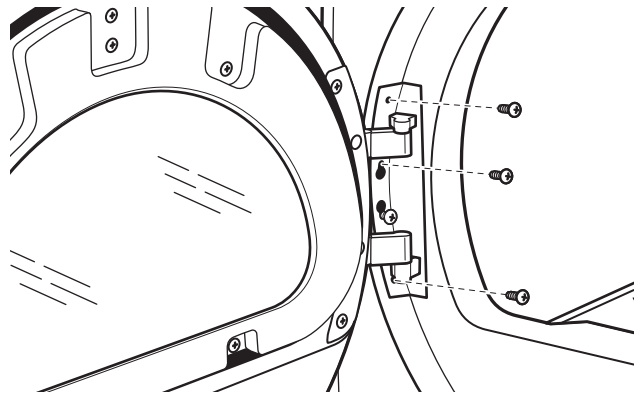
2. Remove the strike using a Phillips screwdriver.



3. Insert strike on the opposite side.

## Reinstall the door

1. Partially insert the third screw from the top; then slide the hinge onto this screw while hooking the hinge into the front panel hole. Reattach door to dryer front panel with the remaining three screws.



2. Check for fingerprints on the glass. Clean if necessary.

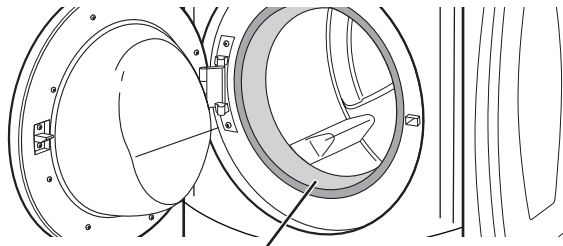
3. Close door and check that it latches securely.

# STACKED WASHER/DRYER MAINTENANCE INSTRUCTIONS

## Washer

### Cleaning the Door Seal/Bellow

1. Open the washer door and remove any clothing or items from the washer.
2. Inspect inner glass door. If debris is present, wipe it off using a damp cloth.
3. Inspect the colored seal/bellow between the door opening and the basket for stained areas. Pull back the seal/bellow to inspect all areas under the seal/bellow and to check for foreign objects.



Seal/bellow

4. If stained areas are found, wipe down these areas of the seal/bellow:
  - a) Mix a dilute solution, using 3/4 cup (177 mL) of liquid chlorine bleach, and 1 gal. (3.8 L) of warm tap water.
  - b) Wipe the seal/bellow area with the dilute solution, using a damp cloth.
  - c) Let stand 5 minutes.
  - d) Wipe down area thoroughly with a dry cloth and let the washer interior air dry with door open.

### IMPORTANT:

- Wear rubber gloves when cleaning for prolonged periods.
- Refer to the bleach manufacturer's instructions for proper use.

### Maintenance Instructions:

This washer has a special cycle that uses higher water volumes in combination with liquid chlorine bleach to thoroughly clean the inside of the washer.

### NOTES:

- Read these instructions completely before beginning the cleaning process.
- If necessary, the cleaning cycle may be interrupted by pressing the lower-right (QUICK CYCLE) button twice. However, this will not immediately stop the cycle. The washer will continue with several rinse and drain steps to ensure that all remaining bleach is rinsed from the washer.

### To clean washer interior:

1. Open the washer door and remove any clothing or items from the washer.
2. **Use liquid chlorine bleach:**  
Open the dispenser drawer and immediately add 2/3 cup (160 mL) of liquid chlorine bleach to the bleach compartment.  
**NOTE:** Do not add any detergent. Use of more than 2/3 cup (160 mL) of bleach will cause product damage over time.
3. Close the washer door and the dispenser drawer.
4. To start the Washer Cleanout cycle, first enter "Service Mode." Then press and hold the lower-right (QUICK CYCLE) button for 2 seconds. With the entire display flashing, press the center-right (BRIGHTS) button.

To exit out of the service mode and activate the clean wash cycle, push the BRIGHTS button, then turn the key.

**NOTE:** The door will lock, the basket will rotate 1/2 turn, then the door will unlock and lock again, then the Washer Cleanout Cycle will continue.

- The washer will not fill, but the basket will rotate while the washer runs a short sensing cycle. This will take approximately 3 minutes.
5. The cycle will determine whether clothing or other items are in the washer.
    - a) If no items are detected in the washer, it will proceed to Step 7.
    - b) If any items are detected in the washer, "F-34" will be displayed. Then the door will unlock.
      - Enter the service mode and then press and hold the lower-right (QUICK CYCLE) button to cancel the failure code.  
Then repeat steps 1, 3, and 4 to start the cycle again.
  6. Once the cycle has begun, allow the cycle to complete.
  7. After the cycle is complete, leave the door open slightly to allow for better ventilation and drying of washer interior.

# STACKED WASHER/DRYER MAINTENANCE INSTRUCTIONS

---

## Washer

---

### Always do the following to maintain washer freshness:

- Use only HE High Efficiency detergent.
- Leave the door slightly open after each cycle to allow for better ventilation and drying of washer interior.
- Clean the washer monthly using the Washer Maintenance Procedure, using 2/3 cup (160 mL) of liquid chlorine bleach.
- If the procedure does not sufficiently improve the washer freshness, please evaluate your installation and usage conditions for other causes.

### Cleaning the exterior

Use a soft damp cloth or sponge to wipe up any spills. Occasionally wipe the outside of your washer to keep it looking new. Use mild soap and water. Do not use abrasive products.

### Cleaning the dispenser drawer

The dispenser drawer is removable for easy cleaning.

1. Unlock the dispenser drawer for removal by inserting a flat-blade screwdriver into the catch release. Remove the dispenser drawer.
2. Remove the inserts (the siphon from the softener and bleach compartments).
3. Wash the parts under running water.

**NOTE:** Do not wash components in the dishwasher.

4. Replace the inserts and return the dispenser to the drawer.

### Water inlet hoses

Replace the inlet hoses after 5 years of use to reduce the risk of hose failure. Periodically inspect and replace inlet hoses if bulges, kinks, cuts, wear, or leaks are found.

When replacing your inlet hoses, record the date of replacement.

## Dryer

---

### Maintenance instructions:

- Clean lint screen before and after each cycle.
- Removing accumulated lint:

From inside the dryer cabinet:

Lint should be removed every 2 years or more often, depending on dryer usage. Cleaning should be done by a qualified person.

From the exhaust vent:

Lint should be removed every 2 years, or more often, depending on dryer usage.

- Keep area around dryer clear and free from combustible materials, gasoline and other flammable vapors and liquids.
- Keep dryer area clear and free from items that would obstruct the flow of combustion and ventilation air.

### If dryer does not operate, check the following:

- Electrical supply is connected.
- Circuit breaker is not tripped or house fuse is not blown.
- Door is closed. Listen closely to hear the door switch activate.
- Cycle selection button has been pushed firmly.
- For gas dryers, check that gas supply shut-off valves are set in open position.

---

## IF YOU NEED ASSISTANCE

---

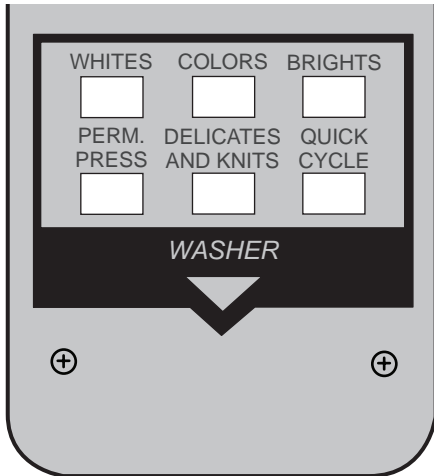
Contact your authorized Maytag® Commercial Laundry distributor. To locate your authorized Maytag® Commercial Laundry distributor, or for web inquiries, visit [www.MaytagCommercialLaundry.com](http://www.MaytagCommercialLaundry.com).

If you cannot locate your distributor, the Commercial Laundry Support Center will answer any questions about operating or maintaining your washer/dryer not covered in the "Installation Instructions."

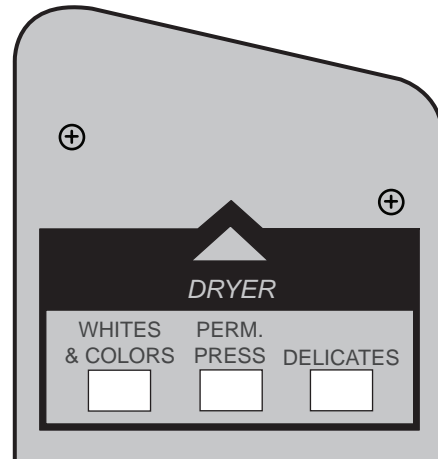
Just dial 1-800 NO BELTS (1-800-662-3587) — the call is toll free.

When you call, you will need the washer/dryer model numbers and serial numbers. Both numbers can be found on the serial-rating plate located in the dryer door well.

# ELECTRONIC CONTROL SETUP INSTRUCTIONS



Washer control



Dryer control

**NOTE:** After the washer/dryer has been installed and plugged in, the display will show "0 MINUTES" on the washer and dryer portions of the display. After the washer and dryer doors have been opened and closed, the display will show the price for each machine. On washer/dryers set for free cycles, the display sections will flash "SELECT CYCLE."

**1. PD Models:** Insert coins until "SELECT CYCLE" flashes on the display portion of the washer or dryer that is to be run.

**PR Models:** A debit card is required rather than coins. Generation 1 or 2 debit card systems may be used; but when the Generation 2 debit system is used, the controls will automatically be set to Enhanced Debit mode (J. Ed). In Enhanced Debit mode, the card balance will also display when a debit card is inserted into the reader.

- 2.** Door must be closed on the desired washer/dryer before cycle selection is made.
- 3.** Press the fabric setting button for the washer/dryer cycle desired. After the cycle is started, the time will display and count down.
- 4.** If a cycle is interrupted by opening the door or power loss, "RESELECT CYCLE" will flash in the display. To restart the washer/dryer, close door and reselect desired cycle.

**NOTE:** When set for free vend operation an ongoing dryer cycle will cancel if the door is opened.

## General Washer/Dryer User Information

**SCROLLING "OUT OF ORDER" MESSAGE, FOLLOWED BY A FAILURE OR DIAGNOSTIC CODE, SHOWING IN DISPLAY** – This condition indicates the washer/dryer is inoperative. Diagnostic codes being displayed on the upper portion of the display pertain to the dryer section, and diagnostic codes displayed on the lower portion of the display apply to the washer section. Diagnostic codes displayed on both the upper and lower portions of the display pertain to the control system of both the washer and dryer.

**"0 MINUTES" SHOWING IN DISPLAY** – This indicates the cycle is complete and the washer/dryer cannot be operated. Coins dropped or debit inputs during this condition will be stored in escrow but cannot be used until normal operation is restored by opening and closing the door. If a door switch has failed, causing "0 MINUTES" to remain in the display after the door is opened and closed, it must be replaced before normal operation can be restored.

**COLD START (Initial first use)** – Washer/dryer is programmed at the factory as follows:

Washer	11-minute wash period
	\$1.75 wash price (PD models)
	\$0.00 wash price (PR models)
	3 rinses (extra rinse not enabled)
Dryer	5 minutes per quarter for PD models
	45 minutes dry time for PR models
	\$1.50 dry price (fixed cycle with top off – PD Models)
	\$0.00 dry price (fixed cycle – PR Models)

# ELECTRONIC CONTROL SETUP INSTRUCTIONS

**WARM START (after power failure)** – A few seconds after power is restored, if a cycle was in progress at the time of the power failure, “RESELECT CYCLE” will flash in the display, indicating the need for a key press to restart washer or dryer.

**WASHER DOOR LOCK** – Prior to beginning a cycle, there is a door lock routine of lock/unlock/relock, then cycle begins. The door will remain locked until the end of a cycle or approximately 2 minutes after a power interruption.

**PRICING** – After the door is opened and then closed following the completion of a cycle, the display indicates the cycle price (unless set for free operation, where the display will flash “SELECT CYCLE”). As coins are dropped or debit inputs arrive, the display will change to lead the user through the initiation of a cycle.

**There are four (4) types of dryer pricing:**

## Fixed “Vend” Pricing

A dryer setup for “Fixed Cycle” operation can only accept additional time accumulated by increments equal to the length of a complete dry cycle. A maximum of 99 minutes may be purchased; no additional credit is given for coins dropped with 99 minutes in the display.

## Accumulator Pricing

If the price is set to one coin 1, then accumulator pricing is in effect. Cycle time can be purchased one coin at a time (PD models) up to the maximum time of 99 minutes.

## Fixed Cycle With Top Off Pricing

A dryer set to offer “Top Off” capability will allow time to be added to an existing dry cycle in increments equal to the number of minutes of dry time per quarter (coin 1), up to 99 minutes, regardless of the cost required to start the dryer. No credit is given for coins or debit inputs entered when the control is displaying 99 minutes.

**PR Models:** In Enhanced Debit Mode, the top off price can be set independently (see VALUE OF COIN 2), and the top off time is calculated according to the following equation:

$$\text{top off time} = \frac{\text{top off price}}{\text{full cycle price}} \times \text{full cycle length}$$

Penny increment offset is not applied to top off purchases.

**FREE CYCLES** – This is established by setting the cycle price to zero. When this happens, “SELECT CYCLE” will appear rather than a cycle price. Any cycle started as a free cycle will automatically terminate when the door is opened.

**DEBIT CARD READY** – This washer/dryer is debit card ready. It will accept a variety of debit card systems, but does NOT come with a debit card reader. Refer to the debit card reader manufacturer for proper washer/dryer setup. In models converted to a Generation 1 debit card system, debit pulses represent the equivalent of one coin (coin 1).

## Control Set-up Procedures

**IMPORTANT:** Read all instructions before operating.

**PD/PR Models:** Insert service switch key and turn counterclockwise.

**PR Models:** Once a Generation 2 debit card reader is installed (according to the reader manufacturer’s instructions), the set-up modes can only be changed by inserting a set-up card (supplied by the reader manufacturer) into the card slot. Inserting the service switch key and turning will only allow access to the service mode.

The washer/dryer is now in the set-up mode. The lower fabric setting buttons and the lower portion of the display are used to set up the digital control for the washer. The upper three fabric setting buttons and the upper portion of the display are used to set up the controls for the dryer.

The display can contain 4 numbers and/or letters and a decimal point on both the top and bottom display portions. These are used to indicate the set-up codes and related code values available for use in programming the washer/dryer.

## How to Use the Buttons to Program the Controls

1. The lower-left (PERM. PRESS) button is used to adjust the values associated with washer set-up codes and the upper-left (WHITES & COLORS) button is for the dryer. Pressing the button will change the value by increments. Rapid adjustment is possible by holding the button down.
2. The lower-middle (DELICATES AND KNITS) button will advance through the set-up codes. Pressing the button will advance both the washer and dryer to the next available set-up code. Some set-up codes are washer- or dryer-specific and will not be displayed on both the washer and dryer portions of the display. Holding down the lower-middle (DELICATES AND KNITS) button will automatically advance through the set-up codes at a rate faster than 1 per second.
3. The lower-right (QUICK CYCLE) button is used to select or deselect washer options; upper-right (DELICATES) is used for dryer option selection or deselection.



# ELECTRONIC CONTROL SETUP INSTRUCTIONS

## Start Operating Set-up

Washer/dryers are preset at the factory and do not require any programming. However, if you want to change the settings, follow the "Set-Up Codes" guide.

The code at the beginning of each segment is the factory default setting for the PD Models and is the same for the PR Models unless noted otherwise.

The set-up code is indicated by the one or two left-hand characters. The set-up code value is indicated by the two or three right-hand characters.

## Set-Up Codes

Code	Explanation
<b>6 07</b>	<b>REGULAR CYCLE PRICE (WASHER)</b>
6 07	Represents the number of quarters (coin 1) to start the washer; may adjust from 0–39. (See VALUE OF COIN 1.) Advance from 0–39 by pressing the lower-left (PERM. PRESS) button. Factory default of 7 quarters = \$1.75.
6 00	<b>PR MODELS ONLY:</b> Factory default of 6 00, or 0 quarters. <ul style="list-style-type: none"> <li>Press the lower-middle (DELICATES AND KNITS) button once to advance to next code.</li> </ul>
<b>606</b>	<b>REGULAR CYCLE PRICE (DRYER)</b>
606	Represents the number of quarters (coin 1) needed to start the dryer; may adjust from 0–39 (See VALUE OF COIN 1). Advance from 0–39 by pressing the upper-left (WHITES & COLORS) button. Factory default of 6 quarters = \$1.50.
600	<b>PR MODELS:</b> Factory default of 6 00, or 0 quarters. <ul style="list-style-type: none"> <li>Press the lower-middle (DELICATES AND KNITS) button once to advance to next code.</li> </ul>
<b>7 11</b>	<b>WASH LENGTH (WASHER)</b>
7 11	This is the number of minutes for WASH. Washer comes from the factory preset with 11 minutes. Choose from 9–17 minutes by pressing the lower-left (PERM. PRESS) button. <ul style="list-style-type: none"> <li>Press the lower-middle (DELICATES AND KNITS) button once to advance to next code.</li> </ul>
<b>705</b>	<b>REGULAR DRY TIME (DRYER)</b>
705	<b>PD MODELS:</b> Represents the number of minutes per quarter (coin 1). Factory default of 5 minutes per coin. Example: 6 quarters x 5 minutes = 30 minutes. By pressing the upper-left (WHITES & COLORS) button, value adjusts from 1–99 minutes.
745	<b>PR MODELS:</b> Represents the cycle length for free cycles. As example: "7 45" = 45 minutes. <ul style="list-style-type: none"> <li>Press the lower-middle (DELICATES AND KNITS) button once to advance to next code.</li> </ul>

Code	Explanation
<b>8 00</b>	<b>ADDITIONAL RINSE OPTION (WASHER)</b> This option is either NOT SELECTED "00" or SELECTED "ar."
8 00	Not Selected "00."
8 Ar	Selected "ar." Cannot be combined with the Super Cycle rinse option. <ul style="list-style-type: none"> <li>Press the lower-right (QUICK CYCLE) button once to change this selection.</li> <li>Press the lower-middle (DELICATES AND KNITS) button once to advance to next code.</li> </ul>
<b>800</b>	<b>TYPE OF DRYER PRICING (DRYER)</b>
800	Fixed Cycle with Top Off. For detailed description, see "General Washer/Dryer User Information."
8FC	<b>PR MODELS ONLY:</b> Factory default of FC. Fixed Cycle. For detailed description, see "General Washer/Dryer User Information." Use the upper-right (DELICATES) button to change this selection. <ul style="list-style-type: none"> <li>Press the lower-middle (DELICATES AND KNITS) button once to advance to next code.</li> </ul>
<b>9 00</b>	<b>CYCLE COUNTER OPTION</b> This option is either NOT SELECTED "00" or SELECTED "0C."
9 00	Not Selected "00."
9 0C	Selected "0C" and not able to be deselected. <ul style="list-style-type: none"> <li>Press the lower-right (QUICK CYCLE) button 3 consecutive times to select "0C." Once selected "0C" it cannot be deselected.</li> <li>Press the lower-middle (DELICATES AND KNITS) button once to advance to next code.</li> </ul>

### If cycle counter (9 0C) is selected, the following is true:

1 00	Cycles in HUNDREDS	1 <u>02</u> = 200
2 00	Cycles in ONES	2 <u>25</u> = 25
		TOTAL CYCLES = 225

This is "VIEW ONLY" and cannot be cleared.

- Press the lower-middle (DELICATES AND KNITS) button once to advance to next code.

# ELECTRONIC CONTROL SETUP INSTRUCTIONS

Code	Explanation
1. 00	<b>MONEY COUNTER OPTION</b> This option is either NOT SELECTED "00" or SELECTED "0C."
1. 00	Not Selected "00."
1. 0C	Selected "0C." <ul style="list-style-type: none"> <li>Press the lower-right (QUICK CYCLE) button 3 consecutive times to select "0C" and 3 consecutive times to deselect (Not Selected "00"). Counter resets by going from "OFF" to "ON."</li> </ul>
1. C0	Selected "C0" and not able to be deselected. <ul style="list-style-type: none"> <li>To select "C0" and not able to be deselected, first select "0C," then within 2 seconds, press the lower-middle (DELICATES AND KNITS) button twice, the lower-left (PERM. PRESS) button once, and exit set-up mode.</li> <li>Press the lower-middle (DELICATES AND KNITS) button once to advance to next code.</li> </ul>

Code	Explanation
2. 00	<b>SPECIAL PRICING OPTIONS</b> This option is either NOT SELECTED "00" or SELECTED "SP."
2. 00	Not Selected "00," and next available code will be A.00
2. SP	Selected "SP." <ul style="list-style-type: none"> <li>Press the lower-right (QUICK CYCLE) button once to change this selection.</li> </ul>

**If SPECIAL PRICING OPTION is selected, there is access to codes "3.XX" through "9.XX."**

- Press the lower-middle (DELICATES AND KNITS) button once to advance to next code.

**If money counter (1.0C or 1.C0) is selected, the following is true:**

3 00	Dollars in HUNDREDS	3 <u>01</u> = \$100.00
4 00	Dollars in ONES	4 <u>68</u> = \$ 68.00
5 00	Number of CENTS	5 <u>75</u> = \$ 00.75
		TOTAL = \$168.75

## OPTIONS 3.XX – 9.XX TO USE IF SPECIAL PRICING IS SELECTED

Code	Explanation
3. 07	<b>SPECIAL CYCLE PRICE (WASHER)</b>
3. 07	Represents the number of quarters (coin 1) to start the washer; may adjust from 0–39. (See VALUE OF COIN 1.) <ul style="list-style-type: none"> <li>Advance from 0–39 by pressing the lower-left (PERM. PRESS) button. Factory default of 7 quarters = \$1.75</li> </ul>
3. 00	<b>PR MODELS ONLY:</b> Factory default of 0 quarters. <ul style="list-style-type: none"> <li>Press the lower-middle (DELICATES AND KNITS) button once to advance to next code.</li> </ul>
3.06	<b>SPECIAL CYCLE PRICE (DRYER)</b>
3.06	Represents the number of quarters (coin 1) to start the dryer; may adjust from 0–39. (See VALUE OF COIN 1). <ul style="list-style-type: none"> <li>Advance from 0–39 by pressing the upper-left (WHITES &amp; COLORS) button. Factory default of 6 quarters = \$1.50.</li> </ul>
3.00	<b>PR MODELS:</b> Factory default of 0 quarters. <ul style="list-style-type: none"> <li>Press the lower-middle (DELICATES AND KNITS) button once to advance to next code.</li> </ul>
4.05	<b>SPECIAL DRY TIME (DRYER)</b>
4.05	<b>PD MODELS:</b> Represents the number of minutes per quarter (coin 1). <ul style="list-style-type: none"> <li>Factory default of 5 minutes per coin. Example: 6 quarters x 5 minutes = 30 minutes.</li> <li>By pressing the upper-left (WHITES &amp; COLORS) button, the value can be adjusted from 1–99 minutes.</li> </ul>
4.45	<b>PR MODELS:</b> Represents the fixed cycle time in minutes. Example: "4 45" = 45 minutes. <ul style="list-style-type: none"> <li>Press the lower-middle (DELICATES AND KNITS) button once to advance to next code.</li> </ul>
5. 00	<b>TIME-OF-DAY CLOCK, MINUTES</b>
5. 00	This is the TIME-OF-DAY CLOCK, minute setting; select 0–59 minutes by pressing the lower-left (PERM. PRESS) button. <ul style="list-style-type: none"> <li>Press the lower-middle (DELICATES AND KNITS) button once to advance to next code.</li> </ul>
6. 00	<b>TIME-OF-DAY CLOCK, HOURS</b> <b>NOTE:</b> Uses military time or 24 hr. clock.
6. 00	This is the TIME-OF-DAY CLOCK, hour setting; select 0–23 hours by pressing the lower-left (PERM. PRESS) button. <ul style="list-style-type: none"> <li>Press the lower-middle (DELICATES AND KNITS) button once to advance to next code.</li> </ul>



# ELECTRONIC CONTROL SETUP INSTRUCTIONS

Code	Explanation
7. 00	<b>SPECIAL PRICE START HOUR</b> <b>NOTE:</b> Uses military time or 24 hr. clock.
7. 00	This is the start hour; 0–23 hours. <ul style="list-style-type: none"> <li>• Select START HOUR by pressing the lower-left (PERM. PRESS) button.</li> <li>• Press the lower-middle (DELICATES AND KNITS) button once to advance to next code.</li> </ul>
8. 00	<b>SPECIAL PRICE STOP HOUR</b> <b>NOTE:</b> Uses military time or 24 hr. clock.
8. 00	This is the stop hour; 0–23 hours. <ul style="list-style-type: none"> <li>• Select STOP HOUR by pressing the lower-left (PERM. PRESS) button.</li> <li>• Press the lower-middle (DELICATES AND KNITS) button once to advance to next code.</li> </ul>
9. 10	<b>SPECIAL PRICE DAY</b>
9. 10	This represents the day of the week and whether special pricing is selected for that day. A number followed by “0” indicates no selection that particular day (9.10). A number followed by an “S” indicates selected for that day (9.1S). To change the value of “0” and “S,” use the lower-right (QUICK CYCLE) button. Days of the week (1–7) are selected by pressing the lower-left (PERM. PRESS) button.

When exiting set-up code “9,” the display must show the current day of week:

DISPLAY	DAY OF WEEK	CODE (selected)
10	Day 1=Sunday	1S
20	Day 2=Monday	2S
30	Day 3=Tuesday	3S
40	Day 4=Wednesday	4S
50	Day 5=Thursday	5S
60	Day 6=Friday	6S
70	Day 7=Saturday	7S

- Press the lower-middle (DELICATES AND KNITS) button once to advance to next code.

A. 00	<b>VAULT VIEWING OPTION</b> This option is either NOT SELECTED “00” or SELECTED “SC.”
A. 00	Not Selected “00.”
A. SC	Selected “SC.” <ul style="list-style-type: none"> <li>• Press the lower-right (QUICK CYCLE) button once to change this selection. When selected, the money and/or cycle counts will be viewable (if counter option(s) is selected) when the coin box is removed.</li> <li>• Press the lower-middle (DELICATES AND KNITS) button once to advance to next code.</li> </ul>

Code	Explanation
b. 05	<b>VALUE OF COIN 1</b>
b. 05	This represents the value of coin 1 in number of nickels: 05 = \$0.25. <ul style="list-style-type: none"> <li>• By pressing the lower-left (PERM. PRESS) button, there is an option of 1–199 nickels.</li> <li>• Press the lower-middle (DELICATES AND KNITS) button once to advance to next code.</li> </ul>
C. 20	<b>VALUE OF COIN 2/VALUE OF DRYER TOP OFF</b>
C. 20	This represents the value of coin 2 in number of nickels: 20 = \$1.00.
C. 05	<b>PR MODELS:</b> Factory default of \$0.25. For models using Enhanced Debit, this field represents the value of top off in nickels. <ul style="list-style-type: none"> <li>• By pressing the lower-left (PERM. PRESS) button, there is an option of 1–199 nickels.</li> <li>• Press the lower-middle (DELICATES AND KNITS) button once to advance to next code.</li> </ul>
E. 00	<b>ADD COINS OPTION</b> This option is either NOT SELECTED “00” or SELECTED “AC.” This option causes the customer display to show the number of coins (coin 1) to enter, rather than the dollars-and-cents amount. The number in the display changes as the coins are accepted.
E. 00	Not Selected “00.”
E. AC	Selected “AC.” <ul style="list-style-type: none"> <li>• Press the lower-right (QUICK CYCLE) button 3 consecutive times to change this selection.</li> <li>• Press the lower-middle (DELICATES AND KNITS) button once to advance to next code.</li> </ul>
F. 00	<b>ENHANCED PRICING OPTION (WASHER)</b>
F. 00	Not Selected “00.”
F. CP	Cycle-Based pricing enabled. This option allows configuration of different prices for cold, warm, and hot water wash cycles.
F. SU	Super Cycle pricing enabled. This option allows customers to upgrade cycles by depositing extra money. Set-up codes “H.” and “h.” will be displayed only when this option is enabled. <ul style="list-style-type: none"> <li>• Press the lower-right (QUICK CYCLE) button to change this selection.</li> <li>• Press the lower-middle (DELICATES AND KNITS) button once to advance to next code.</li> </ul>

# ELECTRONIC CONTROL SETUP INSTRUCTIONS

Code	Explanation
H. 01	<b>SUPER CYCLE UPGRADE PRICE (WASHER)</b> (Skipped unless Super Cycle pricing is enabled.)
H. 01	This represents the number of coin 1 required to upgrade a base cycle to a super cycle. <ul style="list-style-type: none"> <li>• Advance from 0–39 by pressing the lower-left (PERM. PRESS) button.</li> <li>• Press the lower-middle (DELICATES AND KNITS) button once to advance to next code.</li> </ul>
h. 01	<b>SUPER CYCLE TYPE (WASHER)</b> (Skipped unless Super Cycle pricing is enabled.)
h. 01	This represents the Super Cycle upgrade option. <ul style="list-style-type: none"> <li>• Press the lower-left (PERM. PRESS) button to step through upgrade options 1 through 3 as follows: <ul style="list-style-type: none"> <li>01 – enhanced wash, extra 3 minutes of wash tumble in addition to the programmed wash time.</li> <li>02 – extra rinse for all cycles.</li> <li>03 – both 01 and 02.</li> </ul> </li> <li>• Press the lower-middle (DELICATES AND KNITS) button once to advance to next code.</li> </ul>
J. Cd	<b>PAYMENT MODE (COIN/DEBIT OPTION)</b>
J. Cd	Both coin and debit selected. Press the lower-right (QUICK CYCLE) button 3 consecutive times to change this selection.
J. C_	Coins selected, debit disabled. Press the lower-right (QUICK CYCLE) button 3 consecutive times to change this selection.
J._d	<b>PR models:</b> Factory default to J._d. Debit Card selected, coins disabled. Press the lower-right (QUICK CYCLE) button 3 consecutive times to change this selection.
J. Ed	Enhanced Debit is self-selected when a Generation 2 card reader is installed in the washer/dryer. The Ed option cannot be manually selected or deselected. <ul style="list-style-type: none"> <li>• Press the lower-middle (DELICATES AND KNITS) button once to advance to next code.</li> </ul>
L. 00	<b>PRICE SUPPRESSION OPTION</b> This option causes the customer display to show “ADD” or “AVAILABLE” rather than the amount of money to add. (Used mainly in debit installations.)
L. 00	Not Selected “00.”
L. PS	Selected “PS.” <ul style="list-style-type: none"> <li>• Press the lower-right (QUICK CYCLE) button once to change this selection.</li> <li>• Press the lower-middle (DELICATES AND KNITS) button once to advance to next code.</li> </ul>
n. CE	<b>CLEAR ESCROW OPTION</b> When selected, money held in escrow for 30 minutes without further escrow or cycle activity will be cleared.
n. 00	Not Selected “00.”
n. CE	Selected “CE.” <ul style="list-style-type: none"> <li>• Press the lower-right (QUICK CYCLE) button once to change this selection.</li> <li>• Press the lower-middle (DELICATES AND KNITS) button once to advance to next code.</li> </ul>

Code	Explanation
r. 800	<b>TOP SPIN SPEED RPM (WASHER)</b>
r. 800	This can be selected from the following spin speeds: 600 rpm, 750 rpm, 800 rpm, 1000 (displays as 999) rpm. <ul style="list-style-type: none"> <li>• Step between speeds by pressing the lower-left (PERM. PRESS) button. Factory default of 800 rpm.</li> <li>• Press the lower-middle (DELICATES AND KNITS) button once to advance to next code.</li> </ul>
U. 00	<b>PENNY INCREMENT OFFSET (WASHER)</b>
U. 00	This represents the penny increment price offset used in Generation 2 (Enhanced Debit) PR models. Choose from 0–4 pennies by pressing the lower-left (PERM. PRESS) button. <ul style="list-style-type: none"> <li>• Press the lower-middle (DELICATES AND KNITS) button once to advance to next code.</li> </ul>
U.00	<b>PENNY INCREMENT OFFSET (DRYER)</b>
U.00	This represents the penny increment price offset used in Generation 2 (Enhanced Debit) PR models. Choose from 0–4 pennies by pressing the upper-left (WHITES & COLORS) button. <ul style="list-style-type: none"> <li>• Press the lower-middle (DELICATES AND KNITS) button once to advance to next code.</li> </ul>
A1. 00	<b>PREWASH LENGTH (WASHER)</b>
A1. 00	This is the number of minutes of PREWASH. Choose 00 to disable the prewash or select between 2 and 7 minutes by pressing the lower-left (PERM. PRESS) button. <ul style="list-style-type: none"> <li>• Press the lower-middle (DELICATES AND KNITS) button once to advance to next code.</li> </ul>
A2. 03	<b>FINAL SPIN LENGTH (WASHER)</b>
A2. 03	This is the number of minutes of final high speed spin. Choose from 03–08 minutes by pressing the lower-left (PERM. PRESS) button. <ul style="list-style-type: none"> <li>• Press the lower-middle (DELICATES AND KNITS) button once to advance to next code.</li> </ul>

END of SET-UP PROCEDURES.

## EXIT FROM SET-UP MODE

**PD Models:** Turn service switch key clockwise and remove it.

**PR Models:** Remove manual set-up card.

---

# MAYTAG® COMMERCIAL SINGLE-LOAD AND VENDED MULTI-LOAD WASHER AND DRYER WARRANTY

---

## LIMITED WARRANTY ON PARTS

For the first five years from the date of purchase, when this commercial appliance is installed, maintained and operated according to the instructions attached to or furnished with the product, Maytag brand of Whirlpool Corporation (hereafter "Maytag") will pay for factory specified parts or original equipment manufacturer parts to correct defects in materials or workmanship. Proof of original purchase date is required to obtain service under this warranty.

---

## ITEMS MAYTAG WILL NOT PAY FOR

1. All other costs including labor, transportation, or custom duties.
  2. Service calls to correct the installation of your commercial appliance, to instruct you how to use your commercial appliance, to replace or repair fuses, or to correct external wiring or plumbing.
  3. Repairs when your commercial appliance is used for other than normal, commercial use.
  4. Damage resulting from improper handling of product during delivery, theft, accident, alteration, misuse, abuse, fire, flood, acts of God, improper installation, installation not in accordance with local electrical or plumbing codes, or use of products not approved by Maytag.
  5. Pickup and Delivery. This commercial appliance is designed to be repaired on location.
  6. Repairs to parts or systems resulting from unauthorized modifications made to the commercial appliance.
  7. The removal and reinstallation of your commercial appliance if it is installed in an inaccessible location or is not installed in accordance with published installation instructions.
  8. Chemical damage is excluded from all warranty coverage.
  9. Changes to the building, room, or location needed in order to make the commercial appliance operate correctly.
  10. Repairs made by a non-Whirlpool authorized service technician.
- 

## DISCLAIMER OF IMPLIED WARRANTIES; LIMITATIONS OF REMEDIES

CUSTOMER'S SOLE AND EXCLUSIVE REMEDY UNDER THIS LIMITED WARRANTY SHALL BE PRODUCT REPAIR AS PROVIDED HEREIN. IMPLIED WARRANTIES, INCLUDING WARRANTIES OF MERCHANTABILITY OR FITNESS FOR A PARTICULAR PURPOSE, ARE LIMITED TO ONE YEAR OR THE SHORTEST PERIOD ALLOWED BY LAW. WHIRLPOOL SHALL NOT BE LIABLE FOR INCIDENTAL OR CONSEQUENTIAL DAMAGES. SOME STATES AND PROVINCES DO NOT ALLOW THE EXCLUSION OR LIMITATION OF INCIDENTAL OR CONSEQUENTIAL DAMAGES, OR LIMITATIONS ON THE DURATION OF IMPLIED WARRANTIES OF MERCHANTABILITY OR FITNESS, SO THESE EXCLUSIONS OR LIMITATIONS MAY NOT APPLY TO YOU. THIS WARRANTY GIVES YOU SPECIFIC LEGAL RIGHTS AND YOU MAY ALSO HAVE OTHER RIGHTS, WHICH VARY FROM STATE TO STATE OR PROVINCE TO PROVINCE.

---

If you need service, please contact your authorized Maytag® Commercial Laundry distributor. To locate your authorized Maytag® Commercial Laundry distributor, or for web inquiries, visit [www.MaytagCommercialLaundry.com](http://www.MaytagCommercialLaundry.com).

3/10

For written correspondence:

Maytag® Commercial Laundry Service Department  
2000 M-63 North  
Benton Harbor, Michigan 49022 USA

For more information and pricing, contact:

***Equipment Marketers***

100 Melrose Avenue

Phone: 800.223.1376

Cherry Hill, NJ 08003

Fax: 856.428.5477

[www.equipmentmarketers.net](http://www.equipmentmarketers.net)

[maytag@equipmentmarketers.net](mailto:maytag@equipmentmarketers.net)

## Free Manuals Download Website

<http://myh66.com>

<http://usermanuals.us>

<http://www.somanuals.com>

<http://www.4manuals.cc>

<http://www.manual-lib.com>

<http://www.404manual.com>

<http://www.luxmanual.com>

<http://aubethermostatmanual.com>

Golf course search by state

<http://golfingnear.com>

Email search by domain

<http://emailbydomain.com>

Auto manuals search

<http://auto.somanuals.com>

TV manuals search

<http://tv.somanuals.com>