

WASHER

Repair Parts List

MODEL NUMBER

MAH3000AWW

When requesting service or ordering parts, always provide the following information:

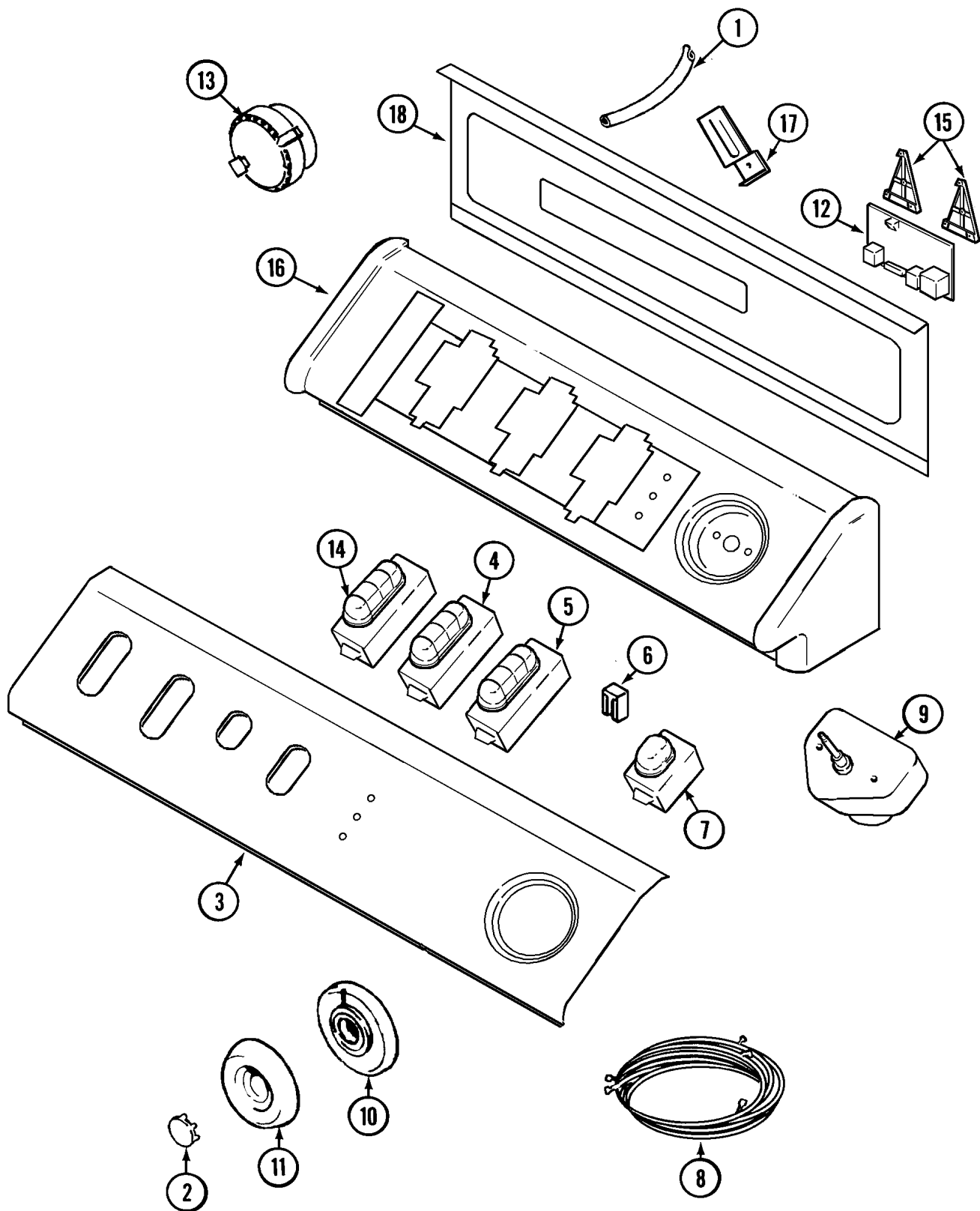
- Product Type
- Part Number
- Model Number
- Part Description

MAYTAG®

©2005 Maytag Services

Section: CONTROL PANEL

Model: MAH3000AWW



CW11-39

Section: CONTROL PANEL

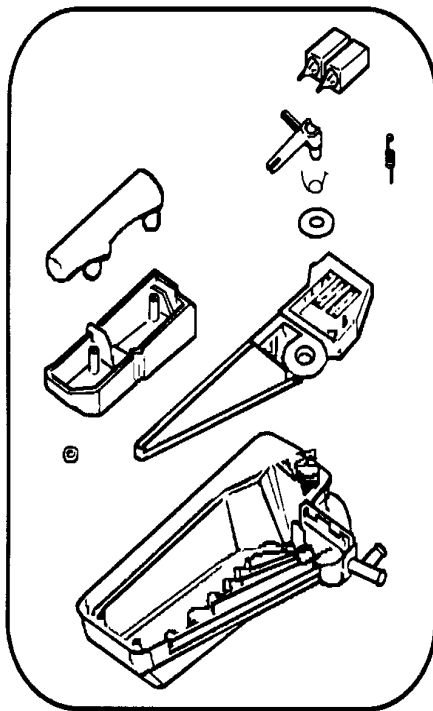
No.	Part No.	Description	Series	Qty
1	22002010	HOSE, AIR DOME Note: TUBE, WATER LEVEL SWITCH	10	1
2	22001664	TIMER KNOB INSERT/CAP (WHT)	10	1
3	22002275	PANEL, CONTROL (WHT)	10	1
-	22001788	BUTTON, SWITCH (WHT-END)	10	2
-	22001789	BUTTON, SWITCH (WHT-MDL) Note: (WHT-MDL)	10	2
4	22002268	SWITCH, 4 POSITION (WHT)	10	1
5	22002278	SWITCH, OPTIONS (WHT) Note: (WHT)	10	1
-	22001789	BUTTON, SWITCH (WHT-MDL) Note: (WHT-MDL)	10	2
-	22001788	BUTTON, SWITCH (WHT-END)	10	2
6	903115	LOCK LIGHT Note: LIGHT, ON/DELAY & DOOR LOCKED	10	3
-	22002281	INDICATOR LIGHT (ON LIGHT) Note: LIGHT, ON	17	1
6	903115	LOCK LIGHT Note: LIGHT, DELAY & DOOR LOCKED	17	2
7	22002273	SWITCH, PUSH TO START (WHT)	10	1
8	22002472	WIRE HARNESS, MAIN	25	1
8	22002693	WIRE HARNESS, MAIN	30	1
8	22002335	WIRE HARNESS, MAIN	17	1
8	22002405	WIRE HARNESS, MAIN	19	1
8	22002280	WIRE HARNESS, MAIN	10	1
9	22002441	TIMER	19	1
9	22002338	TIMER	17	1
-	22001662	SCREW	10	1
9	22002277	TIMER	10	1
10	22002282	BEZEL, TIMER DIAL (WHT)	10	1
11	22001659	TIMER KNOB - GREY	10	1
12	22002279	BOARD, MACHINE CONTROL	10	1
-	22002287	SCREW, MACHINE CONTROL	10	2
-	912077	LOCKNUT Note: LOCKNUT, MACHINE CONTROL	10	2
12	22002334	BOARD, CONTROL	17	1
13	22002048	SWITCH, PRESSURE	10	1
-	22001789	BUTTON, SWITCH (WHT-MDL) Note: (WHT-MDL)	10	2
-	22001788	BUTTON, SWITCH (WHT-END)	10	2
14	22002270	SWITCH, FABRIC (WHT) Note: SWITCH, FABRIC (WHT)	10	1
15	22002284	BRACKET	10	2
-	22001948	LENS, INDICATOR LIGHT	10	3
16	22002285	CONSOLE (WHT)	10	1
17	22002178	BRACKET, WATER SWITCH Note: BRACKET, WATER	10	1
- N	22002345	TIE, WIRE	10	1
-	22001996	SCREW Note: SCREW, BRACKET WATER	10	1
18	33001806	BACK, CONSOLE PANEL	10	1
-	22001996	SCREW Note: SCREW, BACK TO TOP COVER	10	2
-	22002339	SCREW Note: SCREW, CONSOLE BACK	10	3
-	22002299	MANUAL, USE & CARE (FRENCH) Note: (FRENCH)	10	1
-	22002298	MANUAL, USE & CARE	10	1
- N	22002303	VIDEO, U & C (BURGUNDY)	10	1

*Color Code (-)=Not Shown #=Series, Serial Prefix or Run No., N=Not Available

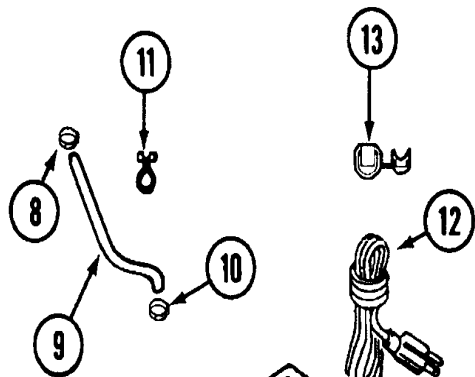
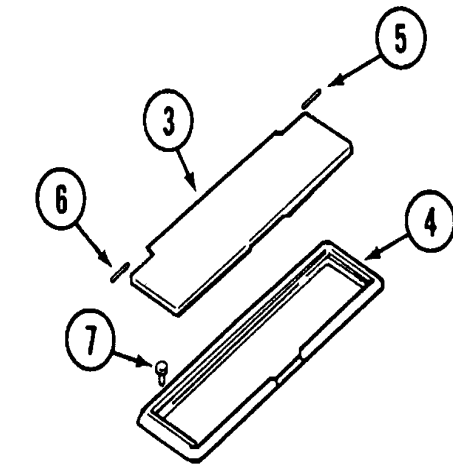
Section: TOP

Model: MAH3000AWW

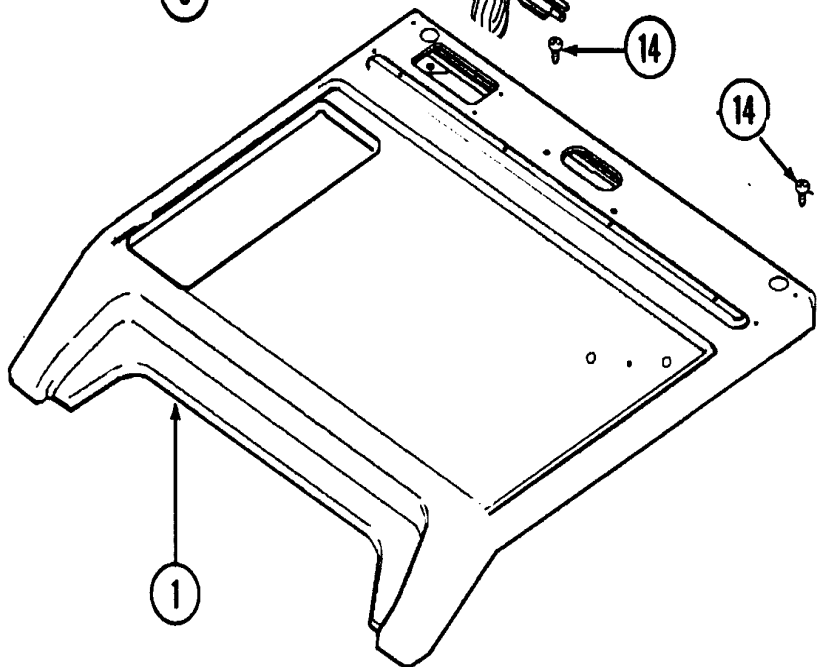
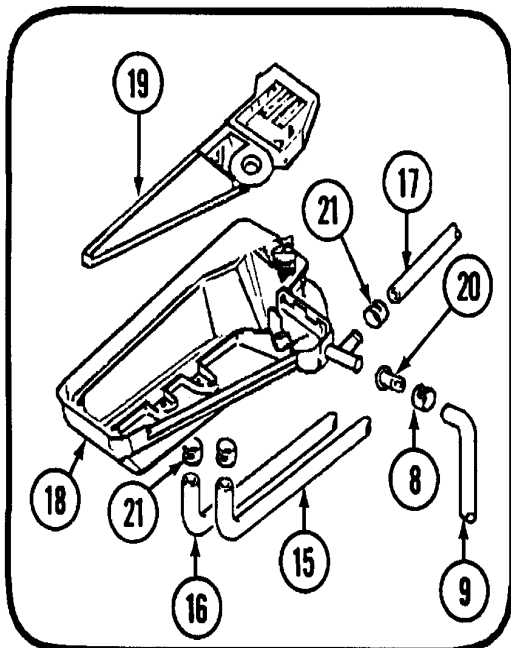
SER PRE 10-25



2



SER PRE 26



1

LW16-26

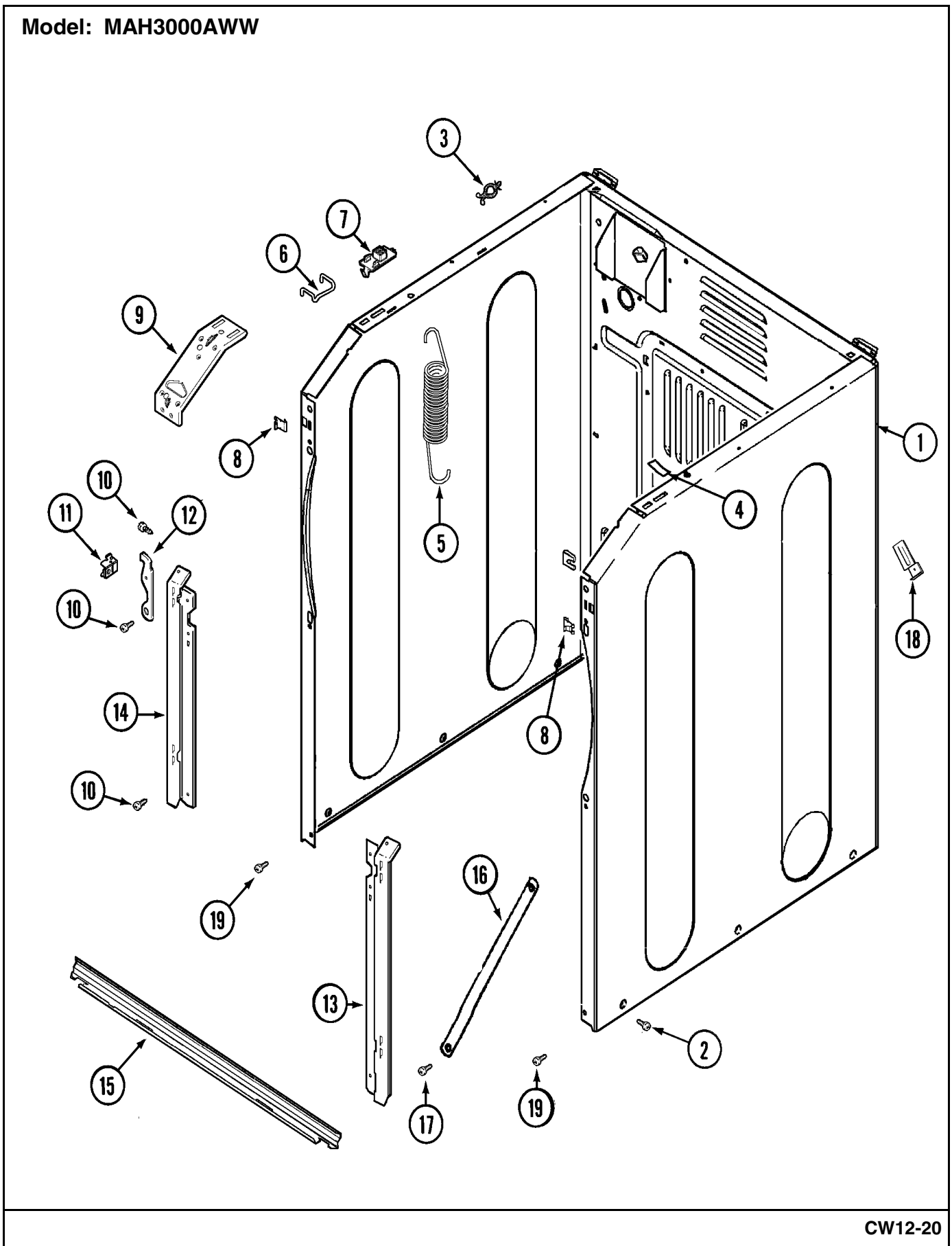
Section: TOP

No.	Part No.	Description	Series	Qty
1	22002116	COVER, TOP (WHT)	10	1
-	22002265	CUP, SIPHON	10	1
2	22002264	DISPENSER ASSEMBLY (COMPLETE)	10	1
-	-----	NOT REQUIRED PART OR SEE NOTE	26	0
- N	22002309	CUP, TURBOCLEAN DETERGENT Note: (USED INSIDE WITH WASH LOAD)	10	1
-	22002266	CAP, SIPHON	10	1
3	22002288	LID, DISPENSER (WHT)	10	1
4	22002290	BEZEL, DISPENSER (WHT)	10	1
5	912678	PIN, HINGE (LONG) Note: PIN, HINGE (LONG)	10	1
6	912679	PIN, HINGE (SHORT) Note: PIN, HINGE (SHORT)	10	1
7	22002060	SCREW, BEZEL Note: SCREW, DISPENSER BEZEL	10	4
8	22002561	CLAMP, SHOWER HOSE	26	1
8	22002054	CLAMP, STEPLESS Note: CLAMP, SHOWER HOSE	10	1
9	22002556	HOSE, SHOWER	26	1
9	22002084	HOSE, SHOWER	10	1
10	201011	CLAMP,HOSE (TUB OUTLET) Note: CLAMP, HOSE (TUB OUTLET)	10	1
-	212276	SCREW Note: SCREW, WIRE TIE	10	1
11	22002027	WIRE TIE, TWIST LOCK	10	2
12	22001178	CORD, POWER	10	1
13	211881	GROMMET, CORD	10	1
14	912365	SCREW Note: SCREW, POWER CORD & GROUND	10	1
15	22002551	HOSE, BLEACH	26	1
16 N	22002552	HOSE, FABRIC SOFTENER----NA	26	1
17	22002553	HOSE, DETERGENT	26	1
18	22002554	BOTTOM, DISPENSER	26	1
18	22002768	DISPENSER BOTTOM	37	1
19	22002555	FLUME, DISPENSER	26	1
20	22001900	PREVENTER, BACK FLOW	26	1
21	205161	CLAMP - 15/16" Note: CLAMP, HOSE	26	4

*Color Code (-)=Not Shown #=Series, Serial Prefix or Run No., N=Not Available

Section: CABINET-FRONT

Model: MAH3000AWW



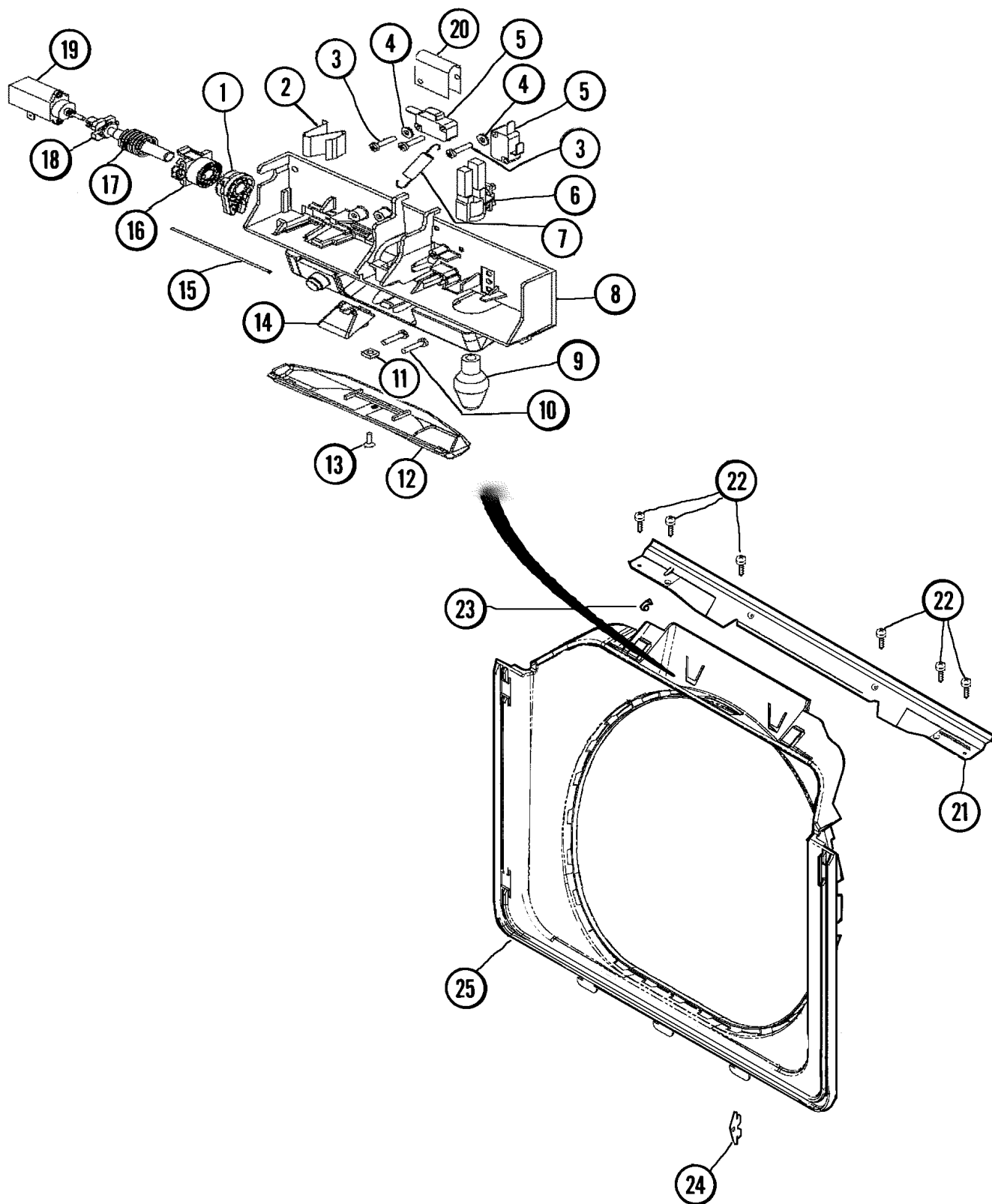
Section: CABINET-FRONT

No.	Part No.	Description	Series	Qty
1	22002548	CABINET ASSY. (WHT)	30	1
1	12001424	CABINET KIT (WHT) Note: CABINET KIT (WHT)	10	1
-	22002293	INSULATION, CABINET Note: (ONE ON EACH SIDE)	10	2
2	N 33001827	BRACKET, CABINET HINGE	10	2
-	22002013	STOP, SHIPPING	10	2
3	315471	RETAINER, WIRE	10	2
4	33001836	STRAP, TOP COVER SUPPORT	10	1
5	22002100	SPRING Note: SPRING	10	2
6	22002297	SUPPORT, SPRING	10	2
7	22001997	SPACER, TOP COVER	10	2
8	22002049	CLIP Note: CLIP, FRONT PANEL	10	2
9	22002292	BRACE, CORNER (LT) Note: (LT)	10	1
9	22002090	BRACE, CORNER Note: BRACE, CORNER (RT)	10	1
10	22001995	SCREW Note: SCREW, SECURITY HOOK	10	8
11	22002001	SUPPORT, HINGE	10	4
12	22002247	HOOK, SECURITY	10	2
13	22002034	BRACKET, SHROUD SUPPORT (RT)	10	1
14	22002035	BRACKET, SHROUD SUPPORT (LT)	10	1
15	22001993	BRIDGE, SHROUD SUPPORT	10	1
16	22002259	BRACE, CROSS	10	2
17	22001995	SCREW Note: SCREW, CROSS BRACE	10	2
18	22002178	BRACKET, WATER SWITCH Note: BRACKET, AIR DOME HOSE	10	1
-	22001996	SCREW Note: SCREW, AIR DOME HOSE BRACKET	10	1
19	22001995	SCREW Note: SCREW, FRONT CABINET	10	2
20	213007	SCREW, CABINET	10	6

*Color Code (-)=Not Shown #=Series, Serial Prefix or Run No., N=Not Available

Section: DOOR SHROUD & DOOR LATCH ASSEMBLY

Model: MAH3000AWW



CW10-28

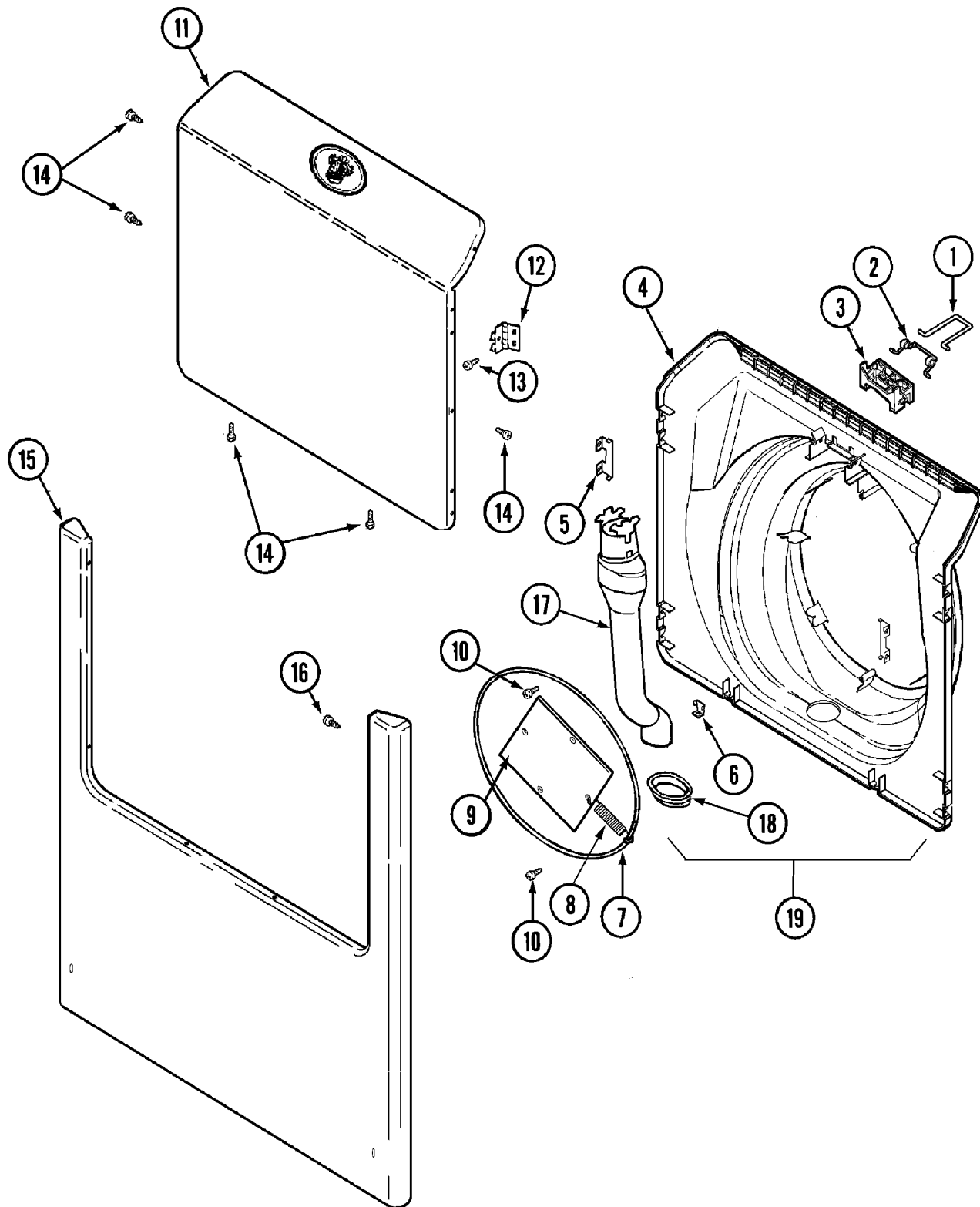
Section: DOOR SHROUD & DOOR LATCH ASSEMBLY

No.	Part No.	Description	Series	Qty
1	22003716	ROTATING GEAR, LATCH	10	1
3	22001352	SCREW, CHECK SWITCH	10	3
4	22002165	WASHER, DOOR LOCK SWITCH	10	2
5	22002162	SWITCH, DOOR LOCK SPIN ENABLE	10	2
6	22002433	BULB HOLDER ASSEMBLY	10	1
7	22002158	SPRING, GEAR RETURN	10	1
8	22003067	SWITCH HOLDER ASSEMBLY	10	1
9	22002263	LAMP (10 WATT)	10	1
10	22003719	SCREW, LATCH	10	2
11	22003720	NUT, LATCH	10	1
12	22002434	COVER, BULB	10	1
13	22002435	SCREW	10	1
14	22003055	RAMP, DOOR HOOP	10	1
15	22002164	CABLE, DOOR	10	1
16	22003715	SLIDING GEAR, LATCH	10	1
17	22003721	SPRING, AXLE / LATCH	10	1
18	22003718	AXLE, LATCH	10	1
19	22002119	MOTOR, WAX	10	1
20	22004256	SHIELD	10	1
21	22002015	SUPPORT, DOOR LOCK	10	1
22	22001995	SCREW	10	6
23	22002014	CLIP	10	1
24	22002095	COVER, HINGE (WHT)	10	2
25	22002234	SHROUD, PLASTIC (WHT)	10	1

*Color Code (-)=Not Shown #=Series, Serial Prefix or Run No., N=Not Available

Section: DOOR & FRONT PANEL

Model: MAH3000AWW



LW18-9

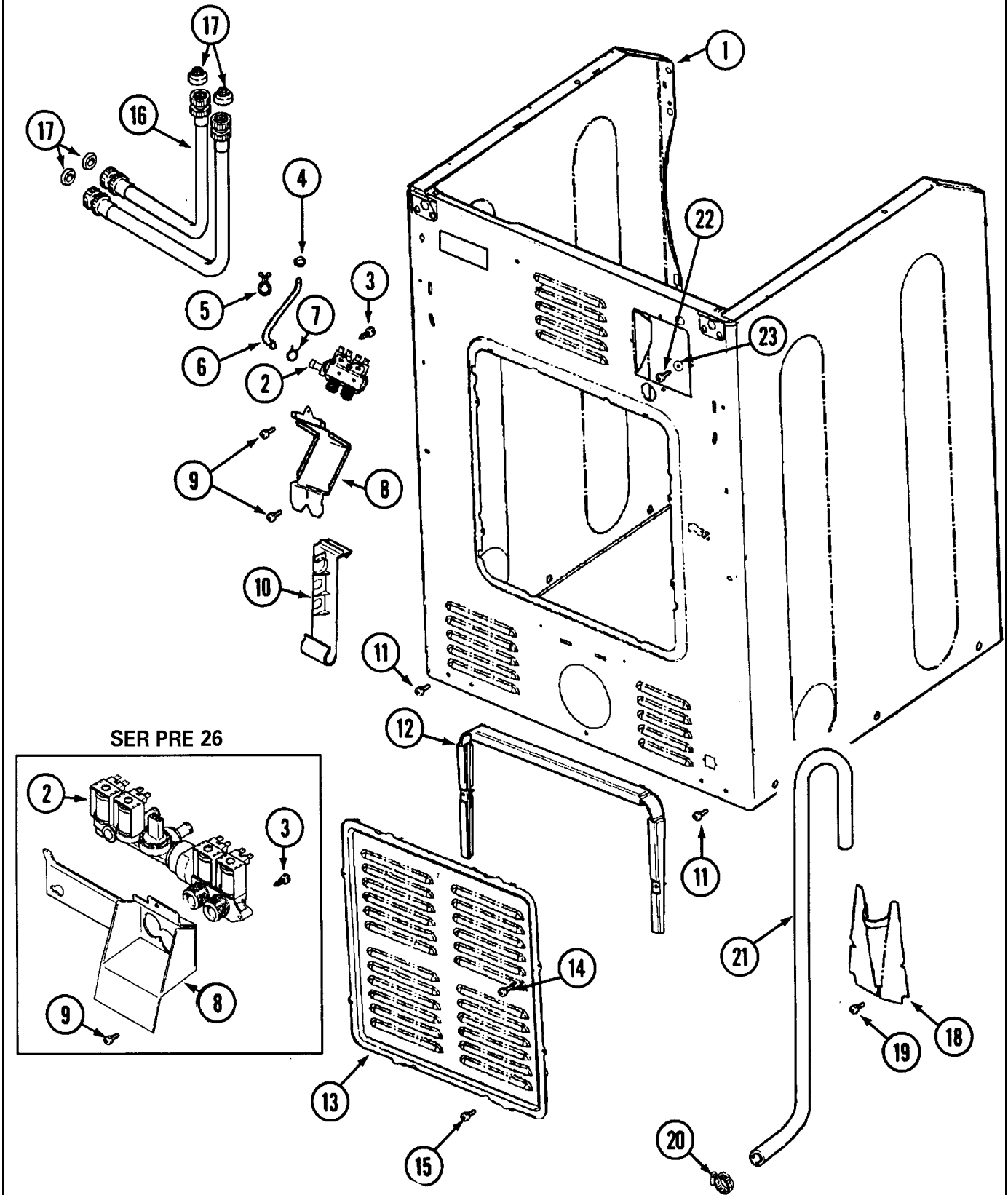
Section: DOOR & FRONT PANEL

No.	Part No.	Description	Series	Qty
1	22002002	HOOP, LOCK	10	1
2	22002003	SPRING, LATCH	10	1
3	22002168	SUPPORT, LOCK HOOP	10	1
4	22002539	DOOR, INNER (W/VENT-WHT)	31	1
4	22003076	DOOR, INNER (WHT)	50	1
4	22002252	DOOR, INNER (WHT) Note: DOOR, INNER (WHT)	10	1
5	22002038	CLIP, DOOR (DOUBLE)	10	4
6	22002039	CLIP, DOOR (SINGLE)	10	2
7	22002104	WIREFRAME Note: FRAME, WIRE	10	1
8	22002356	SPRING, PLATE Note: SPRING, DOOR PLATE	10	4
9	22002094	PLATE	10	1
10	22002007	SCREW Note: SCREW, WIRE FRAME	10	2
-	22001817	SHEET, SOUND DAMPER (FT. PNL) Note: PAD, SOUND DAMPER	10	1
11	22002260	PANEL, DOOR (WHT-W/MEDALLION)	10	1
12	22002000	HINGE, DOOR----SUB	10	2
-	22002095	COVER, HINGE (WHT)	10	2
13	22002062	SCREW Note: SCREW, HINGE	10	4
14	22002063	SCREW #8-18AB WAFER HD	10	6
-	22002305	INSULATION, FRONT PANEL	10	1
15	22002241	PANEL, FRONT (WHT)	10	1
-	22001995	SCREW Note: SCREW, FRONT PANEL CLIP	10	2
-	22002239	CLIP, LOWER FRONT PANEL	10	2
-	22002244	CLIP, GROUNDING	10	1
16	22002012	SCREW, HINGE Note: SCREW, HINGE	10	4
17	22002990	VENT TUBE ASSEMBLY	50	1
18	22003075	GROMMET, VENT TUBE	50	1
19	22003083	LINER, DOOR ASSY W/VENT (WHT)	50	1

*Color Code (-)=Not Shown #=Series, Serial Prefix or Run No., N=Not Available

Section: CABINET-REAR

Model: MAH3000AWW



LW12-7

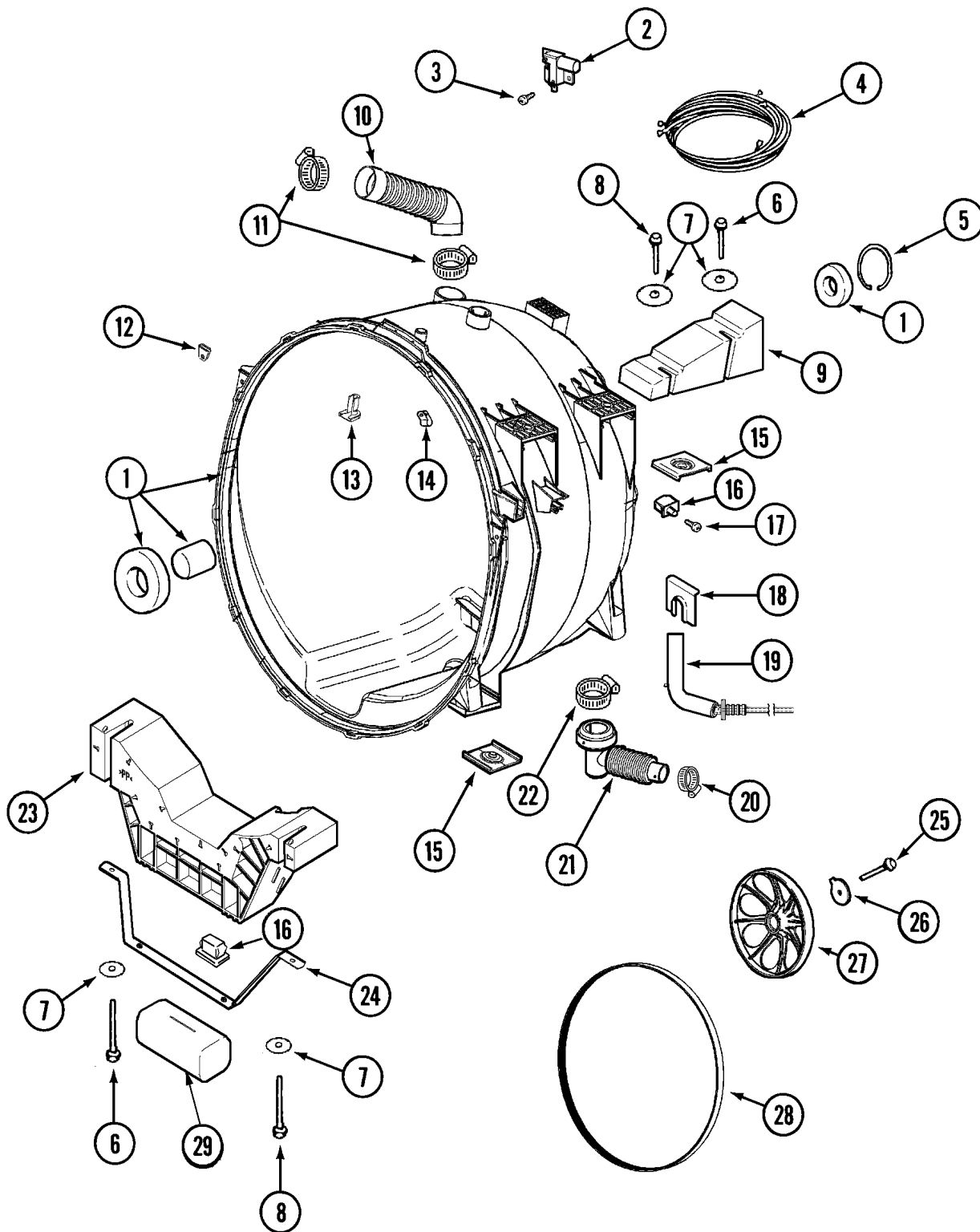
Section: CABINET-REAR

No.	Part No.	Description	Series	Qty
1	22002548	CABINET ASSY. (WHT)	30	1
-	22002445	LABEL, SAFETY	10	1
1	12001424	CABINET KIT (WHT)	10	1
-	22002444	LABEL, ENERGY	10	1
-	205161	CLAMP - 15/16" Note: CLAMP, HOSE (BLEACH HOSE) (FABRIC SOFTNER HOSE) (DETERGENT HOSE)	26	3
2	22002558	VALVE, WATER	26	1
2	22002294	VALVE, WATER	10	1
3	N 313561	SCREW----NA Note: SCREW, WATER VALVE	10	2
3	22002436	SCREW Note: SCREW, WATER VALVE	26	2
4	22002054	CLAMP, STEPLESS	10	1
5	22002027	WIRE TIE, TWIST LOCK	10	2
6	22002296	HOSE, INJECTOR	10	1
-	22002179	TIE, CABLE Note: TIE, CABLE	10	1
7	216169	CLAMP,HOSE-INJEC.HOSE TO VALVE Note: CLAMP, INJECTOR HOSE	10	1
8	22002089	BRACKET, WATER VALVE	10	1
8	33002212	BRACKET, WATER VALVE	26	1
9	22001996	SCREW Note: SCREW, WATER VALVE BRACKET	10	2
10	22002076	STRAP, DRAIN HOSE	10	1
11	22001995	SCREW Note: SCREW, CABINET	10	2
12	22002022	SPACER, ACCESS PANEL	10	1
13	22002092	PANEL, ACCESS	10	1
14	22002295	SCREW Note: SCREW, ACCESS PANEL SPACER	10	2
15	22001996	SCREW Note: SCREW, ACCESS PANEL	10	2
-	22002229	STRAINER	10	2
16	202860	INLET HOSE ASSY. Note: INLET HOSE ASSEMBLY	10	2
17	013783	GASKET, INLET HOSE Note: WASHER, INLET HOSE	10	4
18	22002093	COVER, DRAIN HOSE	10	1
19	22001995	SCREW Note: SCREW, DRAIN HOSE COVER	10	1
20	22001984	CLAMP, DRAIN HOSE	10	1
21	22002085	HOSE, DRAIN	10	1
22	N 33001245	SCREW----NA Note: SCREW, GROUND LUG	10	1
23	N 313363	WASHER Note: WASHER, GROUND LUG	10	1
-	12001429	PUMP-OUT ACCY.KIT(NEPTUNE)	10	1

*Color Code (-)=Not Shown #=Series, Serial Prefix or Run No., N=Not Available

Section: OUTER TUB

Model: MAH3000AWW



LW13-68

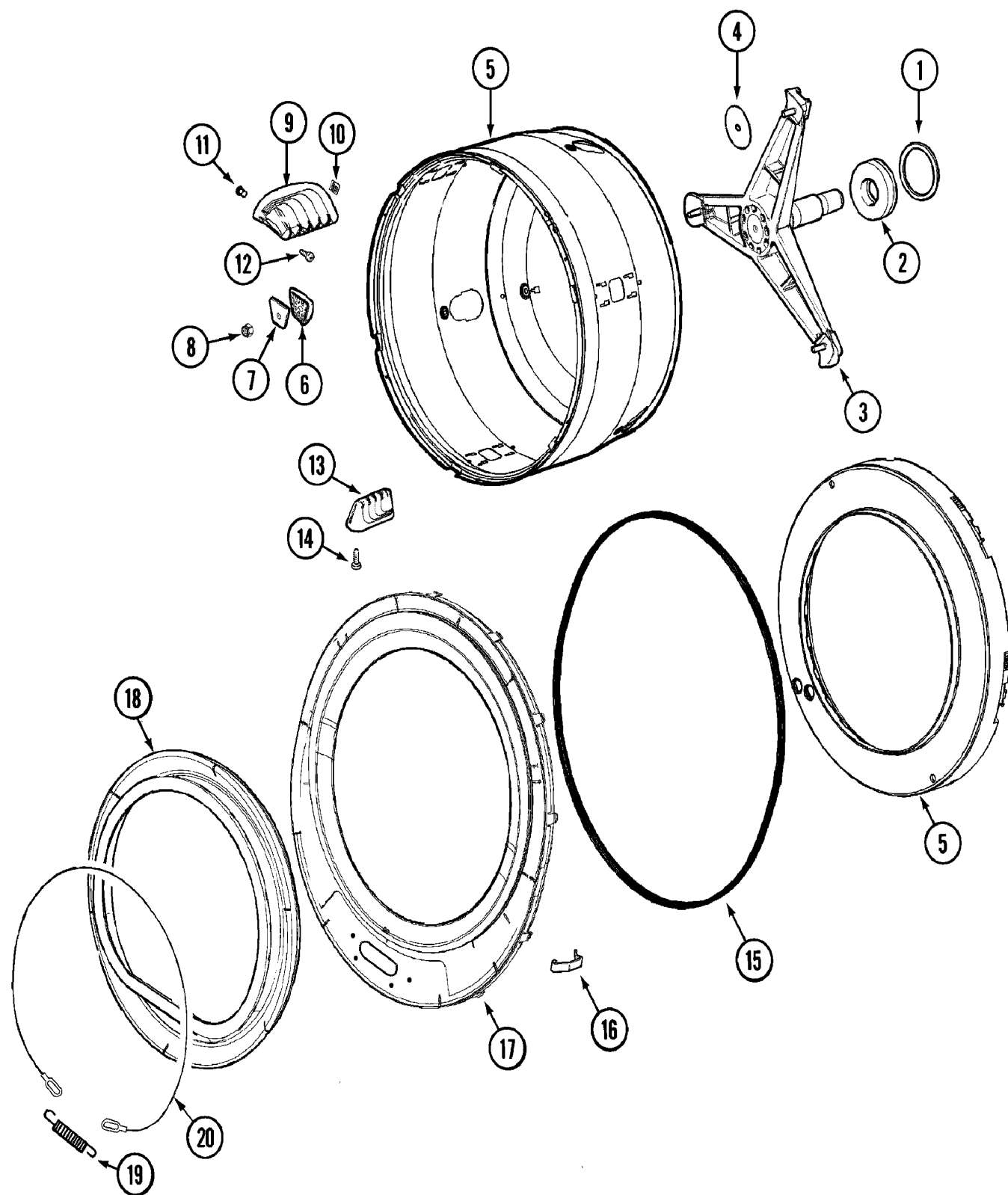
Section: OUTER TUB

No.	Part No.	Description	Series	Qty
1	22002154	TUB ASSY. (OUTER) Note: (SPACER & BEARINGS AVAILABLE ONLY WITH OUTER TUB ASSY.)	10	1
2	22002045	SWITCH, INERTIAL - UNBALANCE Note: SWITCH, INERTIAL UNBALANCE	10	1
3	22002300	SCREW	10	2
4	33002216	WIRE HARNESS, UNBALANCE /COMM	25	1
4	22002581	HARNESS, WIRE Note: WIRE HARNESS, DISPLACEMENT	10	1
5	N 22001981	RING, RETAINING	10	1
6	22001991	BOLT Note: BOLT (LONG)	10	2
7	N 22002067	WASHER, COUNTER BALANCE	10	2
8	22002056	BOLT Note: BOLT (SHORT)	10	2
9	22002102	WEIGHT, COUNTER BALANCE	10	1
10	22002083	HOSE, INJECTOR	10	1
11	22002052	CLAMP, INJECTOR HOSE	10	2
12	22002103	CLIP, U	10	2
13	22002004	DEFLECTOR, WATER	10	1
13	22002959	DEFLECTOR, WATER	42	1
-	N 22002583	WIRE WRAP	10	2
14	22002006	CLIP Note: CLIP, WIRE HARNESS & OUTER TUB	10	3
15	22002065	NUT, COUNTER BALANCE	10	2
16	22002044	SWITCH, TUB DISPLACEMENT	10	2
17	22002061	SCREW	10	1
18	N 22002051	CLIP, AIR DOME RETAINING	10	1
19	22002010	HOSE, AIR DOME	10	1
19	N 22002345	TIE, WIRE Note: TIE, WIRE AIR DOME HOSE	10	1
20	22001984	CLAMP, DRAIN HOSE	10	1
21	22002081	HOSE, TUB OUTLET	10	1
22	22002053	CLAMP, SUMP HOSE	10	1
23	22002579	FRONT WEIGHT BRACKET Note: WEIGHT ASSEMBLY (FRT)	10	1
24	22002008	STRAP	10	1
25	22002057	SCREW, SPINNER	10	1
26	22002055	WASHER, SPINNER SHAFT	10	1
27	22001998	PULLEY, SPINNER	10	1
28	12001435	BELT KIT, DRIVE	16	1
28	22002313	BELT, DRIVE	10	1
29	22002011	CUSHION	10	1

*Color Code (-)=Not Shown #=Series, Serial Prefix or Run No., N=Not Available

Section: SPINNER ASSEMBLY & OUTER TUB COVER

Model: MAH3000AWW



CW21-87

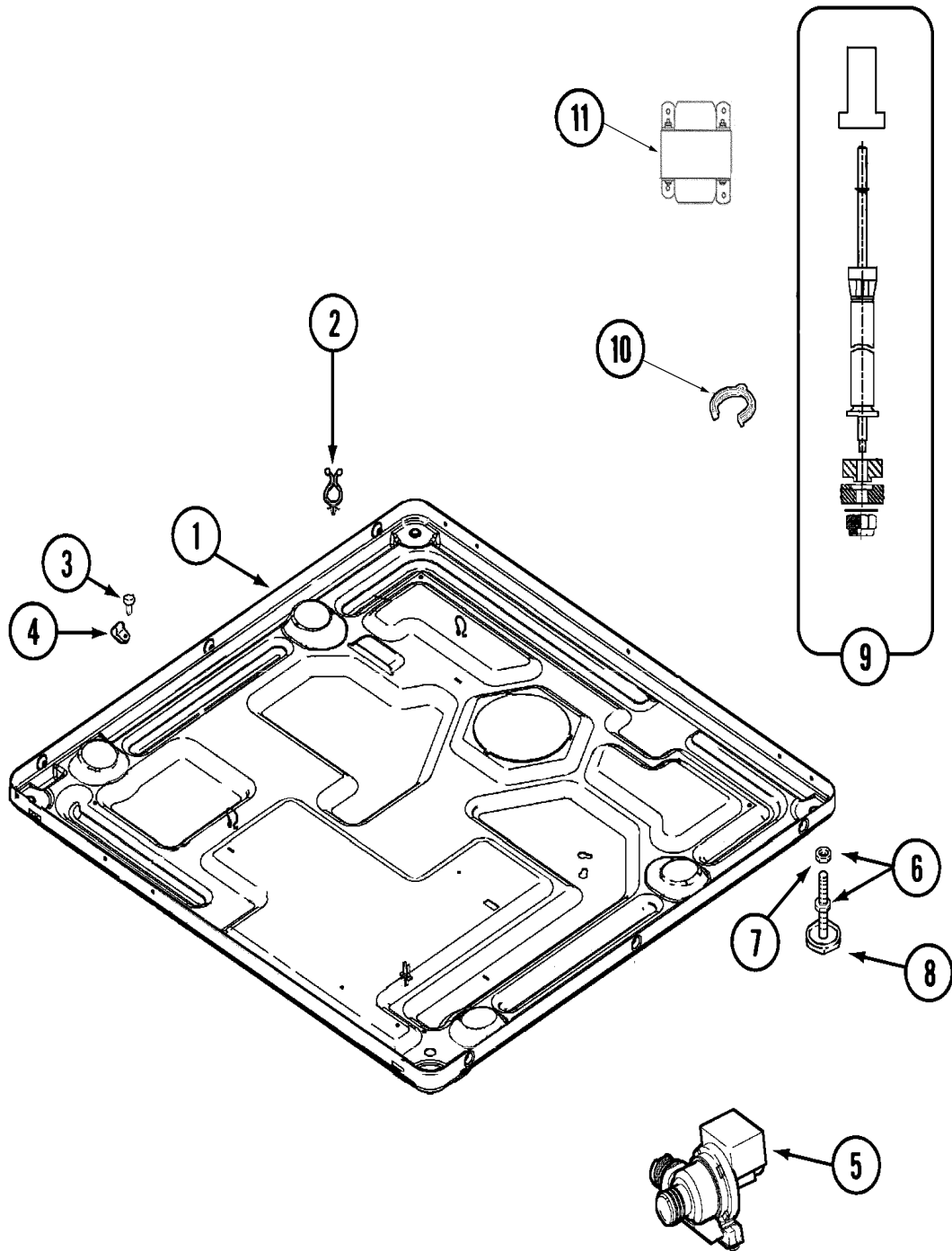
Section: SPINNER ASSEMBLY & OUTER TUB COVER

No.	Part No.	Description	Series	Qty
1	22002029	SLEEVE, SHAFT SEAL	10	1
2	22001983	SEAL ASSY., LIP	10	1
-	12001478	LIP SEAL SVC ASSY.	18	1
3	22001994	SUPPORT ASSY., SPINNER	10	1
-	22002123	TUBE, MOLYKOTE	10	1
4	22002023	WASHER, PLASTIC	10	3
5	22002115	SPINNER ASSY. (W/BALANCE RING) Note: (BALANCE RING NOT AVAILABLE AS A SEPERATE PART)	10	1
6	22002021	WASHER, PROFILE	10	3
7	22002020	WASHER, SPINNER SUPPORT	10	3
8	22002122	NUT, SPINNER ATTACHMENT	10	3
9	22001985	BAFFLE, DRIP (REAR)	10	3
10	22002009	GROMMET, BAFFLE (REAR)	10	3
11	22001999	GROMMET, BAFFLE (FRT)	10	3
12	22002325	SCREW Note: SCREW, BAFFLE (REAR)	10	6
13	22001986	BAFFLE, DRIP (FRONT)	10	3
14	22002059	SCREW Note: SCREW, BAFFLE (FRONT)	10	6
15	22002077	SEAL, TUB COVER	10	1
16	22002050	CLIP, TUB TO COVER	10	13
17	22002238	COVER, TUB (W/SEAL)	10	1
17	22002961	COVER, TUB (W/SEAL) (ASP)	42	1
-	22003072	CLAMP, HOSE DOUBLE WIRE	53	1
-	22003074	GUARD, HOSE	53	1
18	22001978	BOOT, DOOR	10	1
-	22003071	DOOR BOOT DRAIN HOSE	53	1
-	22003073	CLAMP, HOSE DOUBLE WIRE	53	1
-	12001772	KIT, DOOR BOOT W/DRAIN	53	1
19	22002099	SPRING, TUB	10	1
20	22002105	WIRE, BOOT CLAMP	10	1

*Color Code (-)=Not Shown #=Series, Serial Prefix or Run No., N=Not Available

Section: BASE

Model: MAH3000AWW



LW10-53

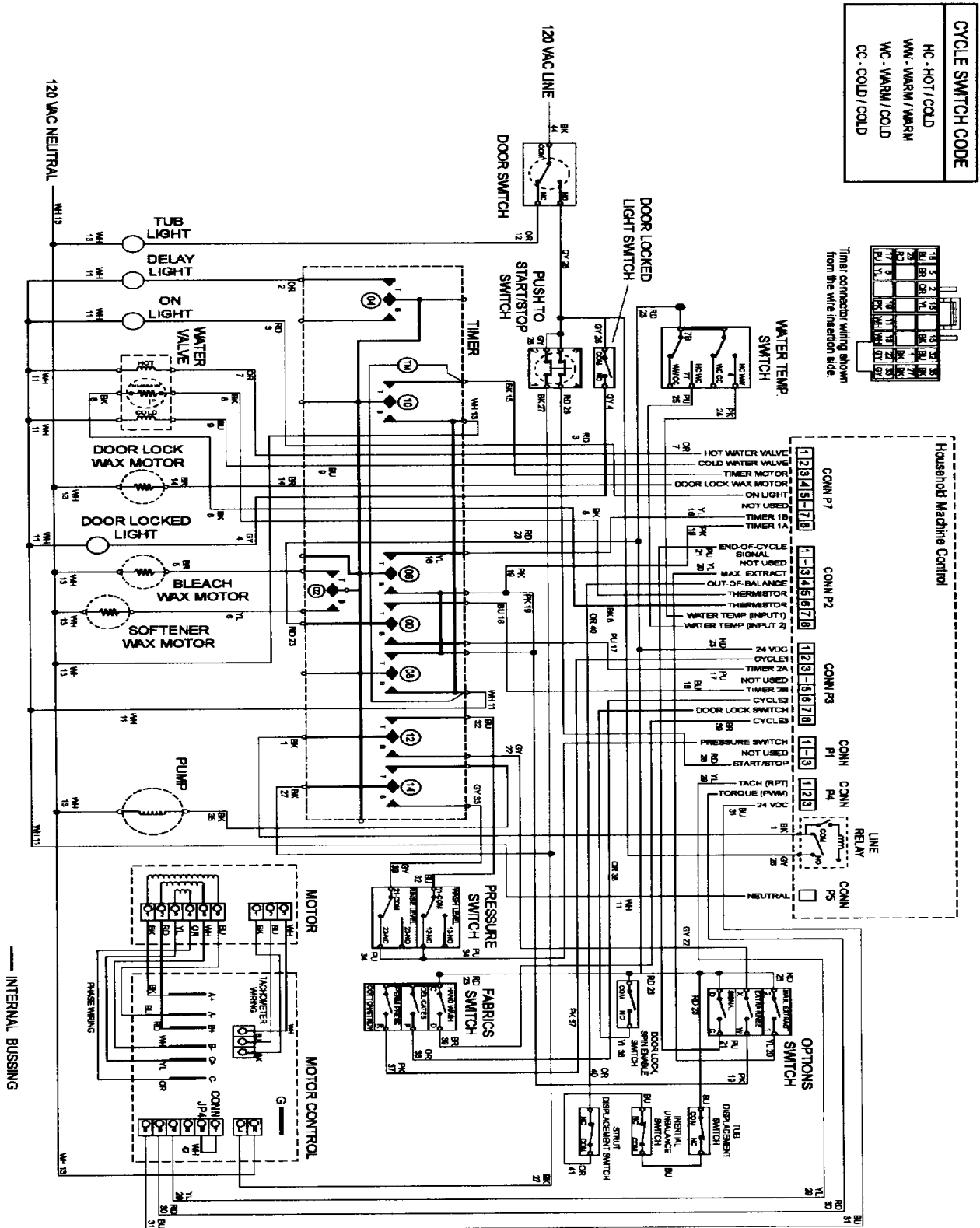
Section: BASE

No.	Part No.	Description	Series	Qty
1	22002240	BASE	10	1
2	315471	RETAINER, WIRE	10	5
3	212276	SCREW Note: SCREW, WIRE HARNESS CLIP	10	1
4	22002014	CLIP Note: CLIP, WIRE HARNESS	10	1
5	22001982	PUMP	10	1
5	25001012	PUMP ISOLATOR BRACKET	10	1
6	22001915	ADJUSTABLE LEG & NUT	10	4
7	052740	NUT	10	4
8	210684	FOOT, RUBBER	10	4
9	22001988	STRUT ASSY-REAR Note: (DOES NOT INCLUDE ITEM #15)	10	1
-	22002322	ISOLATOR, STRUT (UPR)	10	1
10	22003080	CLIP, AIRDOME HOSE	10	1
-	-----	NOT REQUIRED PART OR SEE NOTE	30	0
11	22002307	SWITCH, STRUT DISPLACEMENT Note: (NOT INCLUDED AS PART OF #9)	10	1

*Color Code (-)=Not Shown #=Series, Serial Prefix or Run No., N=Not Available

Section: WIRING INFORMATION

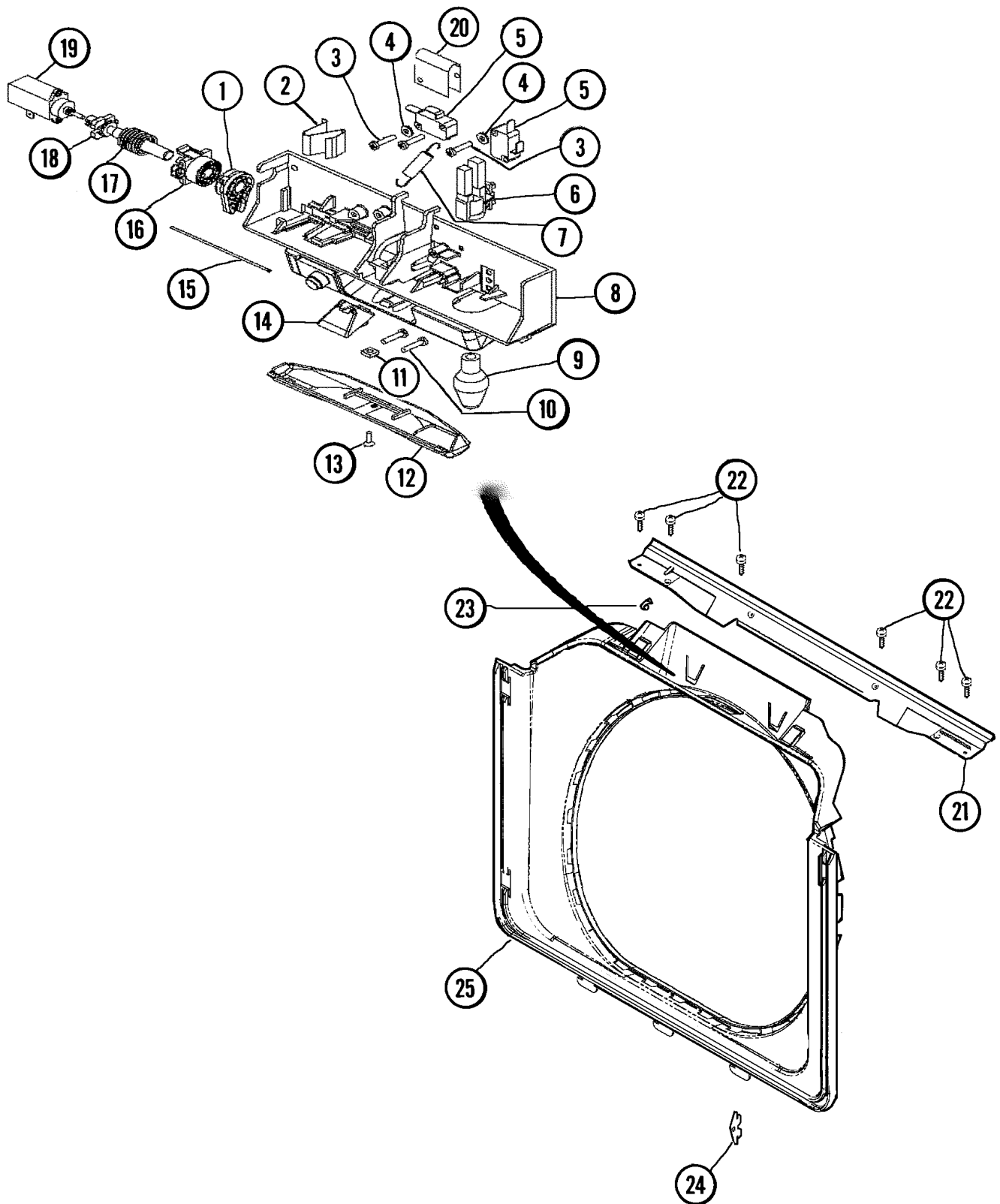
Model: MAH3000AWW



15002402

Section: DOOR SHROUD & LATCH ASSY. (MAH3000AWQ)

Model: MAH3000AWW



CW10-28

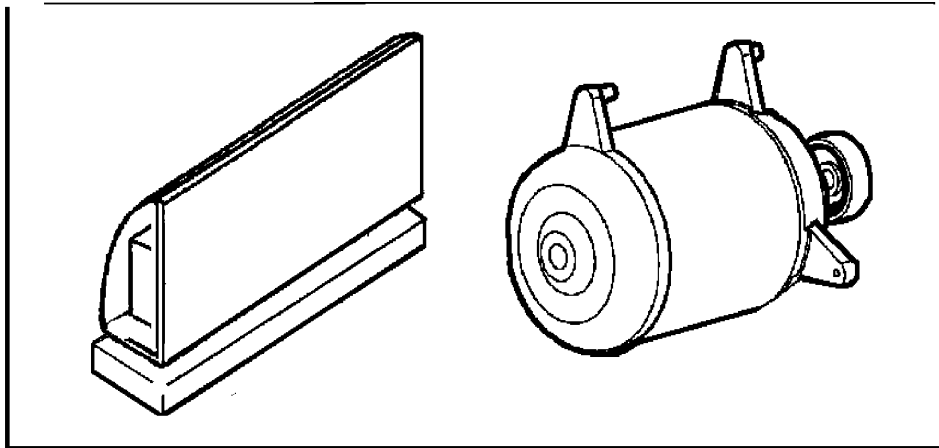
Section: DOOR SHROUD & LATCH ASSY. (MAH3000A)

No.	Part No.	Description	Series	Qty
1	22003716	ROTATING GEAR, LATCH	10	1
2	22003717	SPRING, LATCH	10	1
3	22001352	SCREW, CHECK SWITCH	10	3
4	22002165	WASHER, DOOR LOCK SWITCH	10	2
5	22002162	SWITCH, DOOR LOCK SPIN ENABLE	10	2
6	22002433	BULB HOLDER ASSEMBLY	10	1
7	22002158	SPRING, GEAR RETURN	10	1
8	22003067	SWITCH HOLDER ASSEMBLY	10	1
9	22002263	LAMP (10 WATT)	10	1
10	22003719	SCREW, LATCH	10	1
11	22003720	NUT, LATCH	10	1
12	22002434	COVER, BULB	10	1
13	22002435	SCREW	10	1
14	22003055	RAMP, DOOR HOOP	10	1
15	22002164	CABLE, DOOR	10	1
16	22003715	SLIDING GEAR, LATCH	10	1
17	22003721	SPRING, AXLE / LATCH	10	1
18	22003718	AXLE, LATCH	10	1
19	22002119	MOTOR, WAX	10	1
20	22004256	SHIELD	10	1
21	22002015	SUPPORT, DOOR LOCK	10	1
22	22001995	SCREW	10	6
23	22002014	CLIP	10	1

*Color Code (-)=Not Shown #=Series, Serial Prefix or Run No., N=Not Available




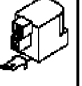

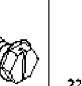


Section: MOTOR & MOTOR CONTROL

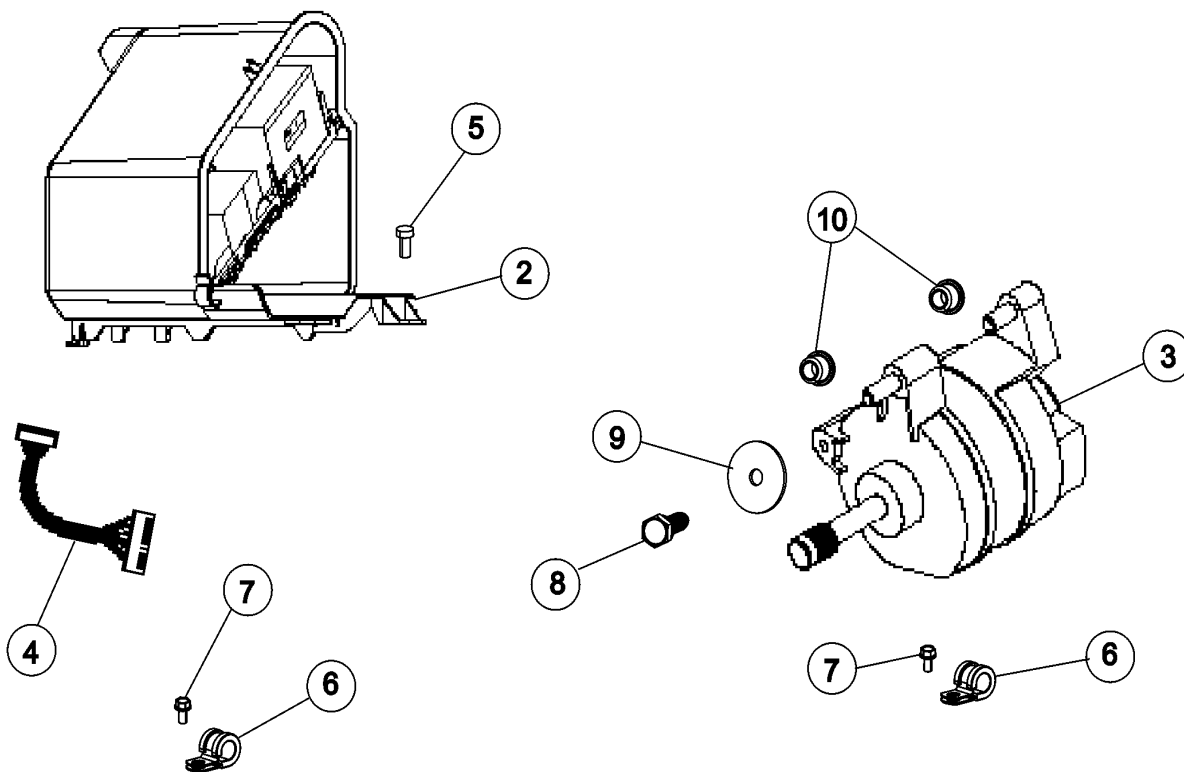
Model: MAH3000AWW



1 USE FOR ITEM 2 PRIOR TO SERIES 88

ITEM 1 - KIT CONTAINS:

							
12002040 Motor isolators	22004046 Motor Control Board	22004047 Motor Harness	22003654 AC Line Filter	22004102 "P" Clips (2)	22002300 Screw - "P" Clip to Motor	22004101 Lower Jumper Wire harness	22004103 Ground Screw



LW14-28

Section: MOTOR & MOTOR CONTROL

No.	Part No.	Description	Series	Qty
1	12002039	NEPTUNE MOTOR CONVERSION KIT	10	1
2	12002039	NEPTUNE MOTOR CONVERSION KIT	10	1
2	22004046	CONTROL ASSY., MOTOR	88	1
3	22003442	MOTOR, (156 T) 60HZ 120V	10	1
3	22003856	MOTOR, VARIABLE SPEED	88	1
3	22003856	MOTOR, VARIABLE SPEED	60	1
4	22002471	WIRE HARNESS, MOTOR CONTROL	25	1
4	22002172	WIRE HARNESS, MOTOR CONTROL	10	1
4	22004047	HARNESS, MOTOR/MOTOR CONTROL	88	1
5	212276	SCREW	10	2
6	22002173	CLIP, WIRE HARNESS	10	2
7	310632	SCREW	10	2
8	22002058	BOLT, MOTOR	10	1
9	22002086	ADJUSTER, BELT TENSION	10	1
10	22002082	ISOLATOR, MOTOR	10	2

*Color Code (-)=Not Shown #=Series, Serial Prefix or Run No., N=Not Available

Free Manuals Download Website

<http://myh66.com>

<http://usermanuals.us>

<http://www.somanuals.com>

<http://www.4manuals.cc>

<http://www.manual-lib.com>

<http://www.404manual.com>

<http://www.luxmanual.com>

<http://aubethermostatmanual.com>

Golf course search by state

<http://golfingnear.com>

Email search by domain

<http://emailbydomain.com>

Auto manuals search

<http://auto.somanuals.com>

TV manuals search

<http://tv.somanuals.com>