

WASHER

Repair Parts List

MODEL NUMBER

MAV6000AWW

When requesting service or ordering parts, always provide the following information:

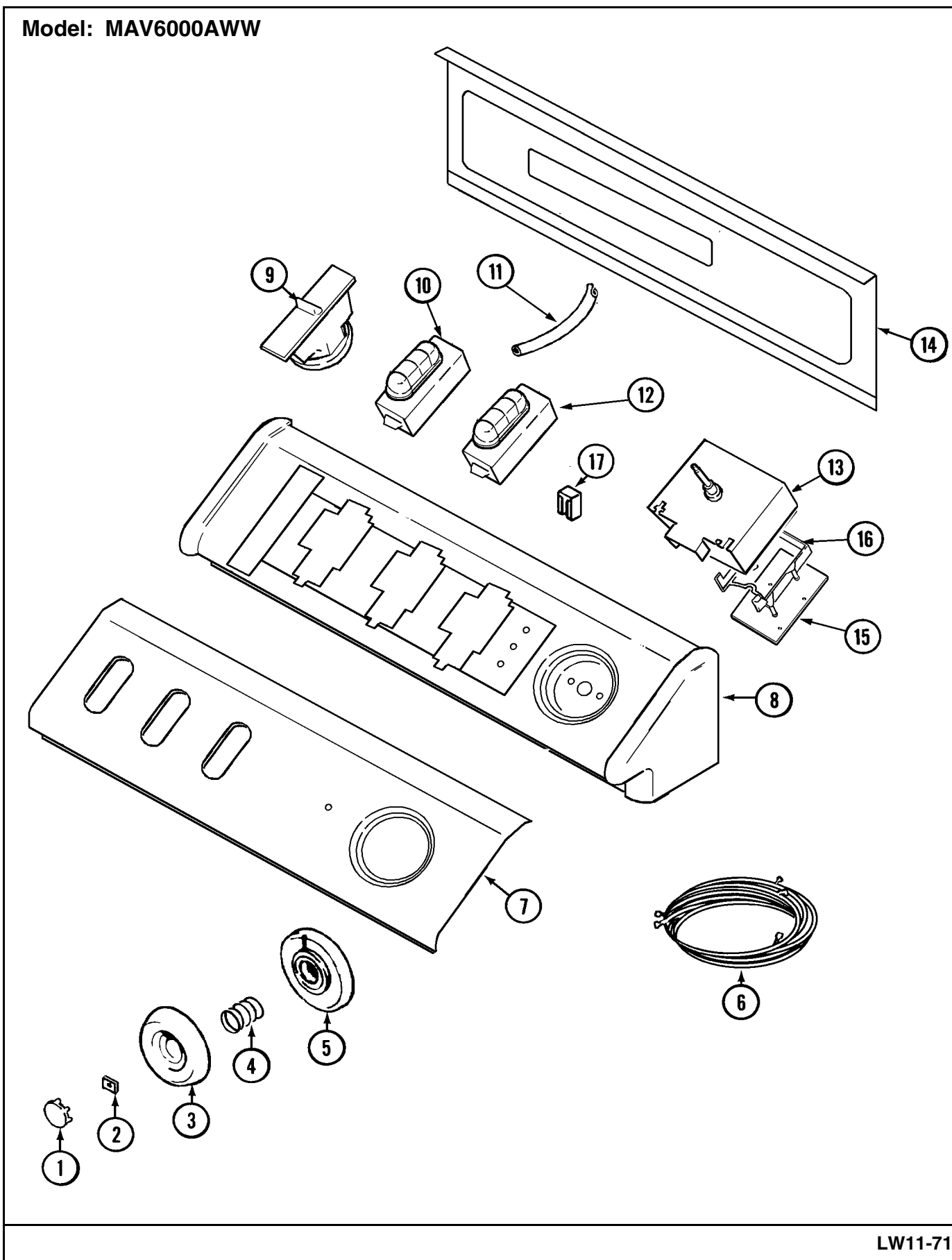
- Product Type
- Part Number
- Model Number
- Part Description

MAYTAG®

©2005 Maytag Services

Section: CONTROL PANEL

Model: MAV6000AWW



LW11-71

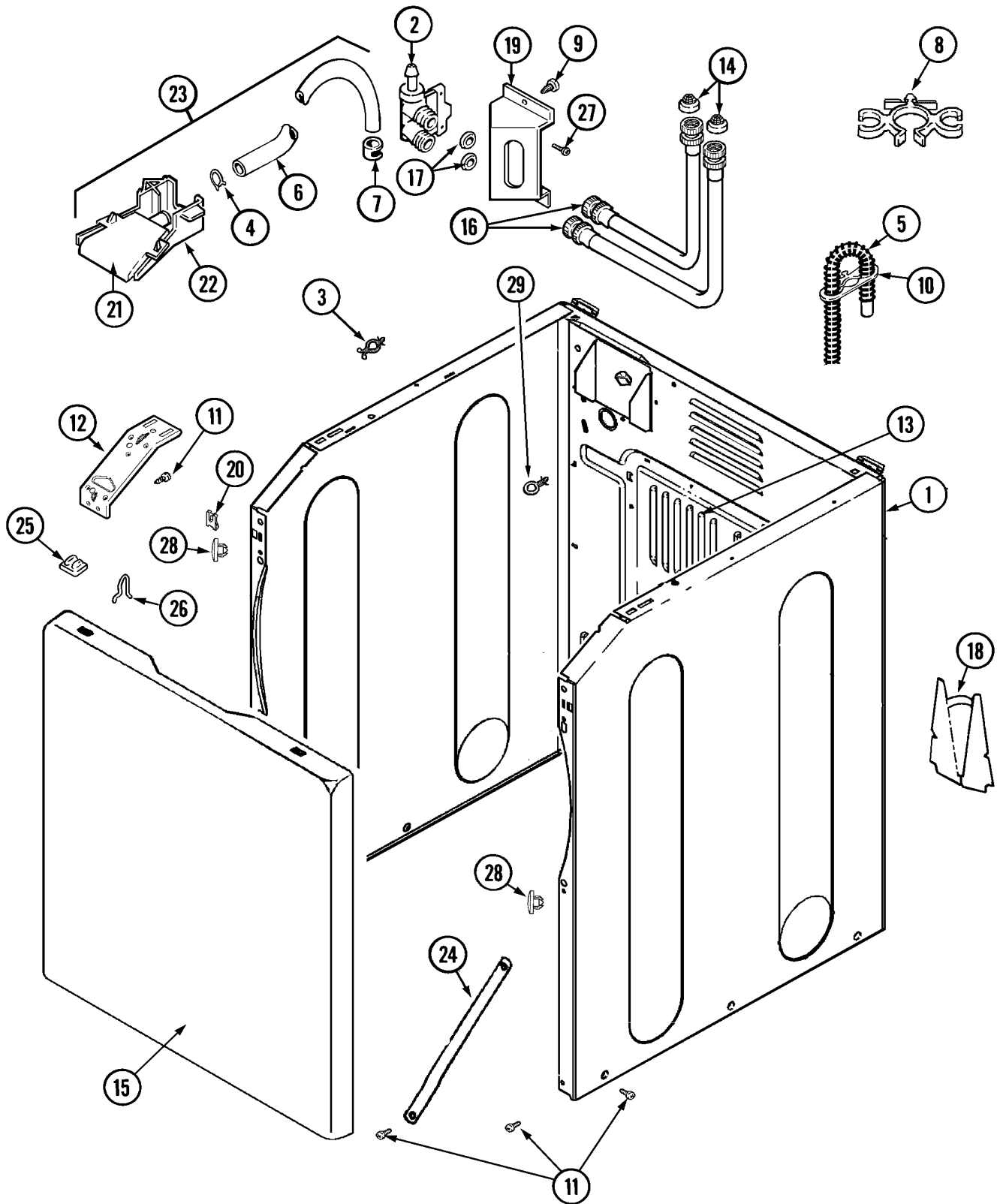
Section: CONTROL PANEL

No.	Part No.	Description	Series	Qty
1	22001664	TIMER KNOB INSERT/CAP (WHT)	10	1
2	211605	RETAINER, TIMER KNOB	10	1
3	22001659	TIMER KNOB - GREY	10	1
4	211065	SPRING, TIMER KNOB	10	1
5	22001660	DIAL SKIRT - WHITE Note: BEZEL, TIMER DIAL (WHT)	10	1
6	22002728	WIRE HARNESS	10	1
7	22002724	PANEL, CONTROL Note: PANEL, CONTROL (WHT)	10	1
8	33002286	CONSOLE (WHT)	10	1
9	22002705	SWITCH, PRESSURE Note: SWITCH, PRESSURE (WHT)	10	1
-	22003461	PAD, PRESSURE SWITCH	10	1
10	22002936	SWITCH, TEMPERATURE (4POS.WHT)	10	1
-	22001788	BUTTON, SWITCH (WHT-END)	10	2
-	22001789	BUTTON, SWITCH (WHT-MDL) Note: BUTTON, SWITCH (WHT-MDL)	10	2
11	22003422	HOSE, AIR DOME Note: TUBE, WATER LEVEL (AIRDOME)	14	1
11	22002743	TUBE, WATER LEVEL SWITCH Note: TUBE, WATER LEVEL (AIRDOME)	10	1
11	22003237	AIR DOME HOSE	12	1
-	22001789	BUTTON, SWITCH (WHT-MDL) Note: BUTTON, SWITCH (WHT-MDL)	10	2
-	22001788	BUTTON, SWITCH (WHT-END)	10	2
12	22002710	SWITCH, (4 POS. WHT) Note: SWITCH, OPTION (WHT)	10	1
-	22001661	SCREW, TIMER	10	2
13	22002716	TIMER	10	1
14	22002529	CONSOLE BACK PANEL	10	1
15	22002857	BOARD, CONTROL	10	1
16	22002856	BRACKET, MTG. (CTL. BOARD) Note: BRACKET, MTG. (CTL. BOARD)	10	1
-	22001948	LENS, INDICATOR LIGHT	10	1
17	903115	LOCK LIGHT	10	1
-	22002806	MANUAL, USE & CARE	10	1
-	16009485	MANUAL, SERVICE-NO REFUND	10	1
- N	16000327	GUIDE, QUICK REF. - MAYTAG	10	1
-	22002807	MANUAL, USE & CARE (FRENCH) Note: (FRENCH)	10	1

*Color Code (-)=Not Shown #=Series, Serial Prefix or Run No., N=Not Available

Section: CABINET

Model: MAV6000AWW



LW12-10

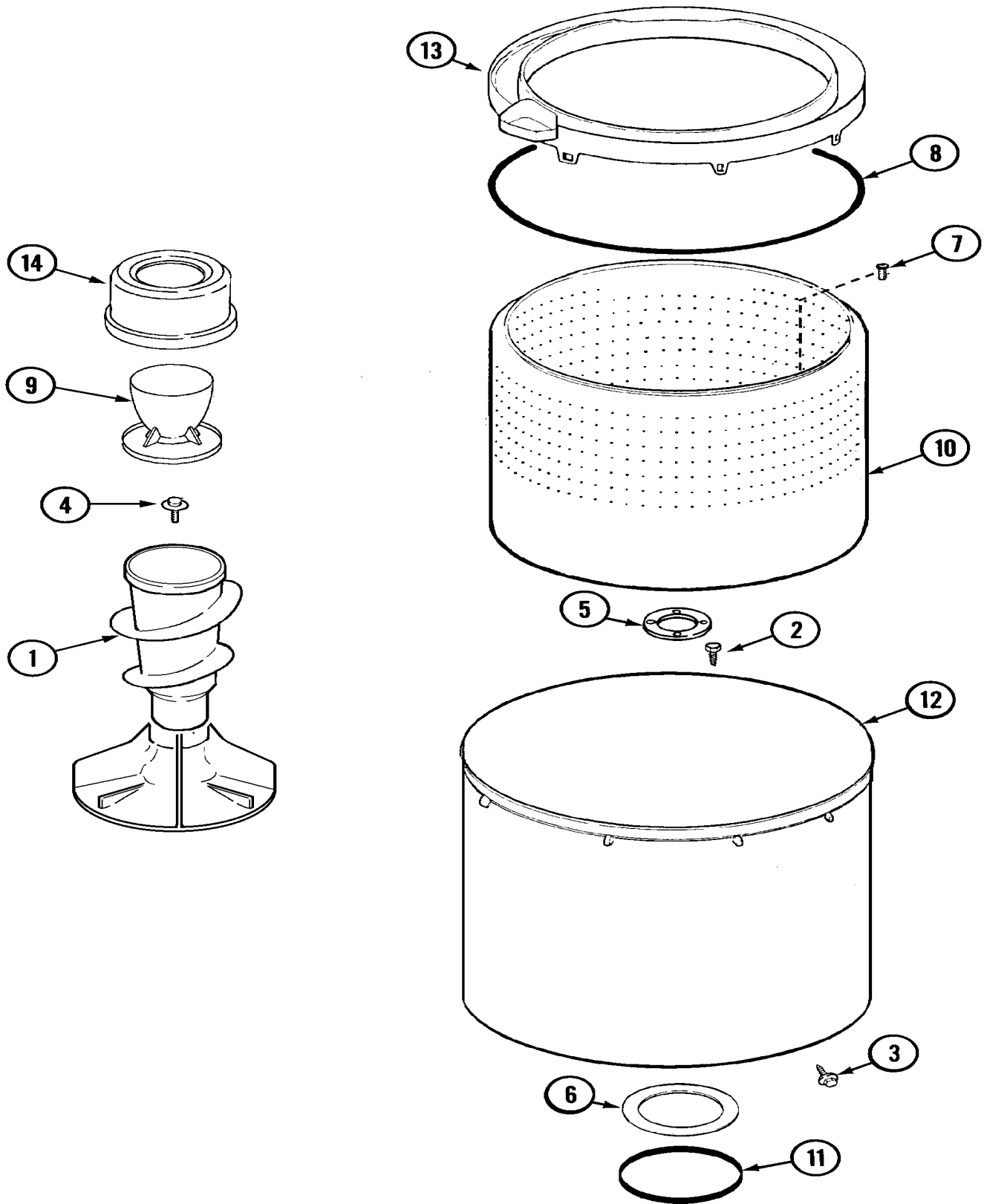
Section: CABINET

No.	Part No.	Description	Series	Qty
1	22002548	CABINET ASSY. (WHT)	10	1
2	22002708	VALVE, WATER	10	1
3	22002852	RETAINER, WIRE	10	1
4	22002838	CLAMP, SPRING----S	10	1
5	22003410	HOSE, DRAIN	10	1
-	12001586	ANTI-SIPHON ACCESSORY Note: ANTI-SIPHON KIT (ACCESSORY)	10	1
-	22003596	CLAMP, HOSE Note: CLAMP, DRAIN HOSE	10	1
6	22002761	HOSE, INJECTOR	10	1
7	216169	CLAMP,HOSE-INJEC.HOSE TO VALVE Note: CLAMP, INJECTOR HOSE	10	1
8	22002765	CLIP, HOSE	10	1
9	33002190	SCREW (#10-3/8") Note: SCREW, WATER VALVE BRACKET	10	2
10	22002701	RETAINER, DRAIN HOSE	10	1
11	22001995	SCREW Note: SCREW (#12 X 1/2")	10	2
12	22002839	BRACE, CABINET (RT)	10	1
12	22002840	BRACE, CABINET (LT) Note: (RT)	10	1
13	22002092	PANEL, ACCESS	10	1
14	200961	SCREEN WASHER, INLET HOSE	10	2
15	22002737	PANEL, FRONT (WHT)	10	1
16	22002764	INLET HOSE ASSY. (COLD) Note: (COLD)	10	1
16	22002763	INLET HOSE ASSY. (HOT) Note: INLET HOSE ASSY. (HOT)	10	1
17	013783	GASKET, INLET HOSE Note: WASHER, INLET HOSE	10	4
18	22002704	COVER, DRAIN HOSE	10	1
19	22002762	BRACKET, WATER VALVE	10	1
20	22002748	FRONT PANEL BRACKET Note: FASTENER, FRONT PANEL	10	2
21	22002759	FLUME, WATER INJECTOR (UPR) Note: FLUME, WATER INJECTOR (UPR)	10	1
22	22002760	FLUME, WATER INJECTOR (LWR)	10	1
23	22002722	INJECTOR FLUME ASSY.	10	1
24	22002767	BRACE, CROSS	10	2
25	22002013	STOP, SHIPPING	10	4
26	25-7220	CLIP, CABINET TOP	10	2
27	22002362	SCREW----NA Note: SCREW, WATER VALVE	10	2
28	22002965	HOLE PLUG	10	2
29	22003086	CLIP, AIR DOME HOSE	10	1
-	22002702	TIE, BEADED Note: TIE, BEADED (HDWR.PKG.)	10	1
- N	33001245	SCREW----NA Note: SCREW (HDWR.PKG.)	10	1
-	35-2890	CABLE TIE Note: CABLE TIE (HDWR.PKG.)	10	1
-	013783	GASKET, INLET HOSE Note: WASHER,INLET HOSE (HDWR.PKG.)	10	2
-	22002229	STRAINER Note: STRAINER (HDWR.PKG.)	10	2
-	33002388	WASHER (HDWR PKG) Note: WASHER (HDWR.PKG.)	10	1

*Color Code (-)=Not Shown #=Series, Serial Prefix or Run No., N=Not Available

Section: TUB

Model: MAV6000AWW



LW13-26

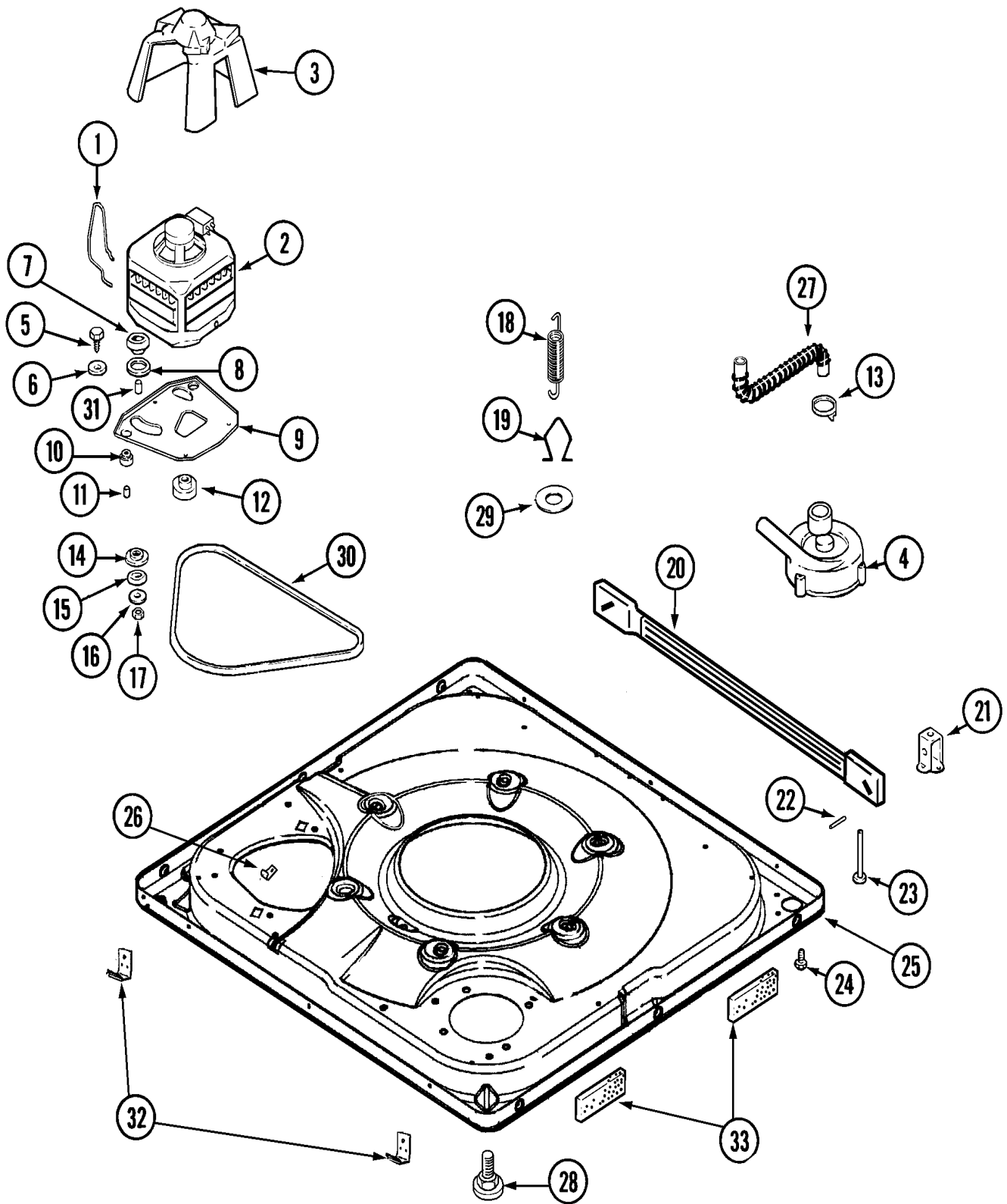
Section: TUB

No.	Part No.	Description	Series	Qty
1	22002735	AGITATOR/AUGER ASSY. Note: AGITATOR	10	1
2	21001510	SCREW Note: SCREW, TUB	10	4
3	22002933	SCREW	10	6
4	25-7948	SCREW, AGITATOR RETENTION Note: BOLT, AGITATOR	10	1
5	35-3685	GASKET, BASKET TO CENTERPOST Note: GASKET, BASKET	10	1
6	35-3686	GASKET, TUB TO HOUSING Note: GASKET, TUB	10	1
7	25-7967	SCREW, SHOULDER Note: SCREW, BASKET	10	4
8	35-2328	SEAL, TUB TOP Note: SEAL, TUB TOP	10	1
9	22002769	DISPENSER FABRIC SOFT.---SUB Note: CUP, DISPENSER (FAB SOFT)	10	1
10	22002741	SPINNER ASSEMBLY, PLASTIC Note: BASKET, SPIN	10	1
11	35-2978	SEAL, TUB/HOUSING Note: SEAL, TUB	10	1
12	22002742	TUB, OUTER Note: TUB ASSEMBLY	10	1
13	22002736	TUB COVER ASSY. (TUB TOP) Note: TOP, TUB	10	1
14	22002758	DISPENSER ASSY, FAB. SOFT SUB Note: (INCL DISPENSER CUP)	10	1
-	22003458	BLOCK, TUB (ATL)	10	1

*Color Code (-)=Not Shown #=Series, Serial Prefix or Run No., N=Not Available

Section: BASE

Model: MAV6000AWW



LW10-22

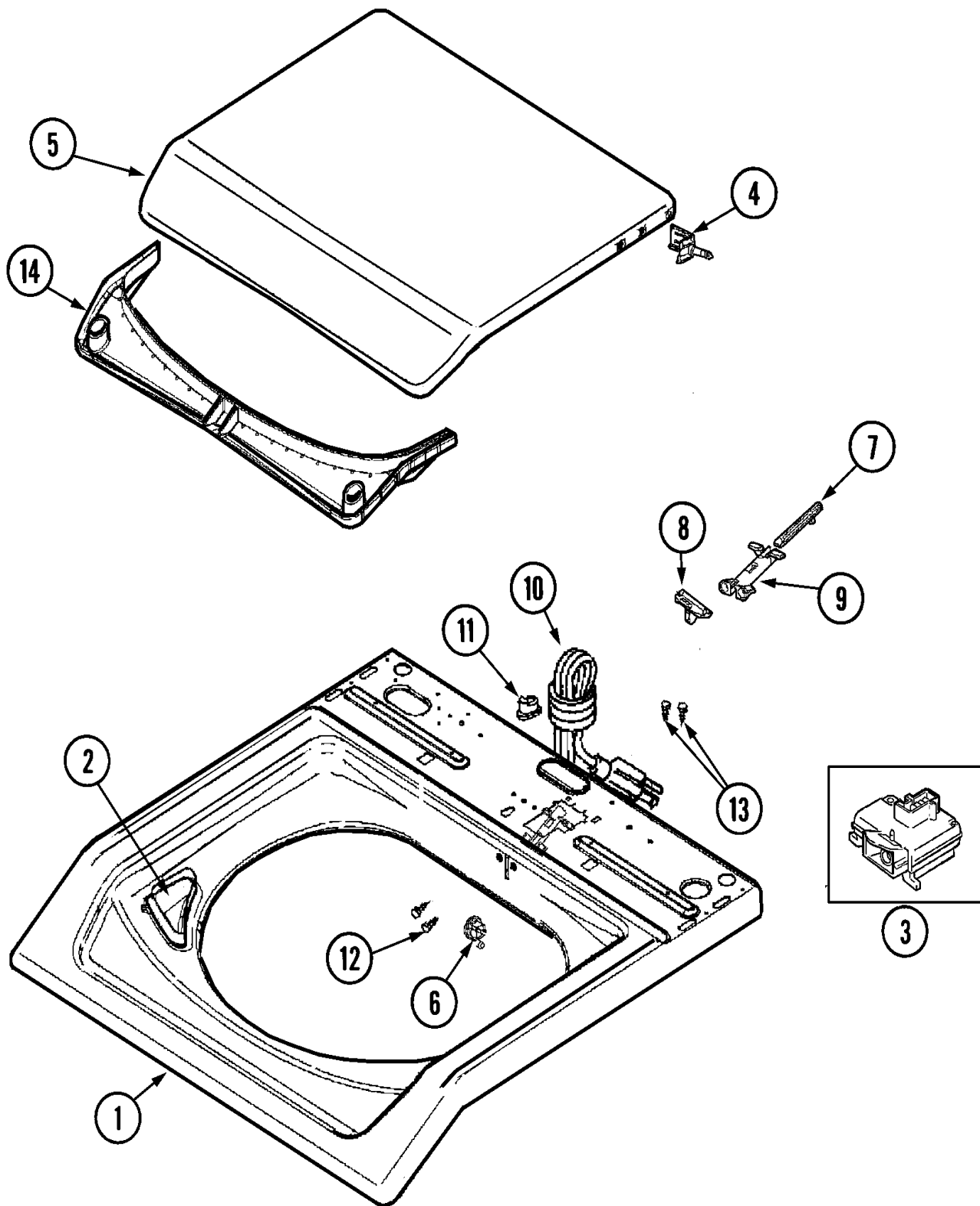
Section: BASE

No.	Part No.	Description	Series	Qty
1	22004376	SPRING, MOTOR PIVOT	10	1
2	21001516	MOTOR & PULLEY ASSY.	10	1
3	22002721	SHIELD, MOTOR	10	1
4	21001732	PUMP	10	1
-	22003438	SLEEVE, PUMP (ATL)	16	1
5	25-7833	SCREW Note: SCREW, MOTOR/BASE	10	2
6	25-7834	WASHER Note: WASHER, MOTOR/BASE SCREW	10	2
7	33-9946	ISOLATOR, MOTOR	10	2
8	35-3570	WASHER, MOTOR PIVOT Note: WASHER, PIVOT	10	2
9	21001366	PLATE, MOTOR	10	1
-	35-2065	PAD, MOTOR PLATE	10	1
10	35-3646	ISOLATOR, MOTOR PLATE	10	3
-	22004348	SLIDE, MOTOR PIVOT Note: FOOT SLIDE, ISOLATOR	10	1
11	25-7831	SPACER Note: SPACER, MOUNTING	10	2
12	21001506	PULLEY, MOTOR-60 HZ	10	1
12	22004297	PULLEY	21	1
13	22002853	CLAMP, HOSE Note: CLAMP, HOSE	10	2
14	35-3571	SLIDE, MOTOR PIVOT Note: SLIDE, MOTOR	10	2
15	33-9967	WASHER, MOTOR ISOLATOR	10	2
16	25-7047	WASHER, FLAT	10	2
17	25-7325	NUT, MOTOR PLATE ASY TO MOTOR Note: NUT, MOTOR PLATE ASSEMBLY	10	2
18	21001598	SPRING, SUSPENSION	10	6
19	21001166	HOOK, SUSPENSION SPRING	10	3
20	35-2049	BAR, STABILIZER (WITH GUIDE)	10	1
21	35-2046	BRACKET, STABILIZER	10	2
22	35-2052	PIN, STABILIZER	10	2
23	35-3020	FOOT PAD ASSY. (REAR) Note: FOOT & PAD ASSEMBLY (REAR)	10	2
24	31001041	SCREW Note: SCREW, BRACKET/BASE	10	6
25	22002841	BASE	10	1
26	25-7845	SPEEDNUT Note: SPEEDNUT, MOTOR	10	2
27	22003285	HOSE, TUB TO PUMP	15	1
27	35-3584	HOSE, TUB TO PUMP	10	1
28	35-3507	FOOT & PAD ASSY Note: FOOT & PAD ASSEMBLY (FRONT)	10	2
29	N 25-7951	WASHER, SUSPENSION HOOK	10	3
30	22002709	BELT, DRIVE	10	1
31	25-7830	SPACER	10	2
-	22002966	U-NUTS, TINNERMAN (FRT PNL)	10	2
32	22002239	CLIP, LOWER FRONT PANEL	10	2
33	22002782	PAD, FOAM (SOUND DAMPENER)	10	8

*Color Code (-)=Not Shown #=Series, Serial Prefix or Run No., N=Not Available

Section: TOP

Model: MAV6000AWW



LW16-30

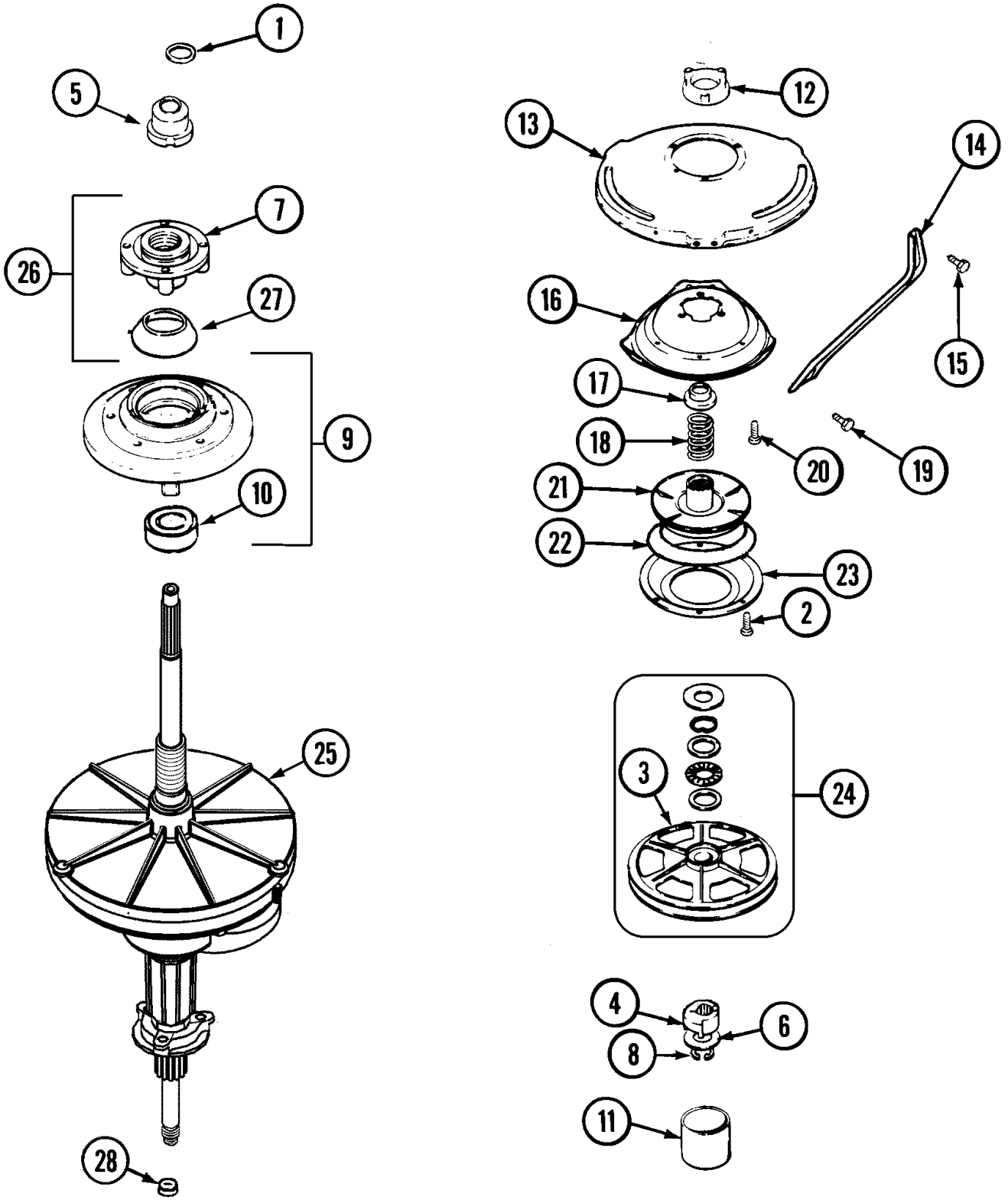
Section: TOP

No.	Part No.	Description	Series	Qty
1	22002739	COVER, TOP (WHT)	10	1
2	22002835	CUP, BLEACH (WHT) Note: (WHT)	10	1
3	22001967	SWITCH, LID	10	1
4	22002751	HINGE PIN (WHT)	10	2
5	22002872	LID, WASHER (WHT-W/MEDALLION) Note: (WHT)	10	1
6	22002753	BUSHING, HINGE	10	2
7	22002754	PLUNGER	10	1
8	22002755	CAM, LID (WHT) Note: CAM, LID (WHT)	10	1
9	22002757	GUIDE TUBE	10	1
10	22002837	CORD, POWER	10	1
11	33002053	GROMMET, CORD	10	1
12	2016090	SCREW, LID SWITCH TO BRACKET Note: SCREW/WASHER (GUIDE TUBE)	10	2
13	705026	SCREW Note: SCREW, GROUNDING	10	2
14	22002967	CONDENSATE SEAL (WHT) Note: (WHT)	10	1

*Color Code (-)=Not Shown #=Series, Serial Prefix or Run No., N=Not Available

Section: TRANSMISSION

Model: MAV6000AWW



LW15-23

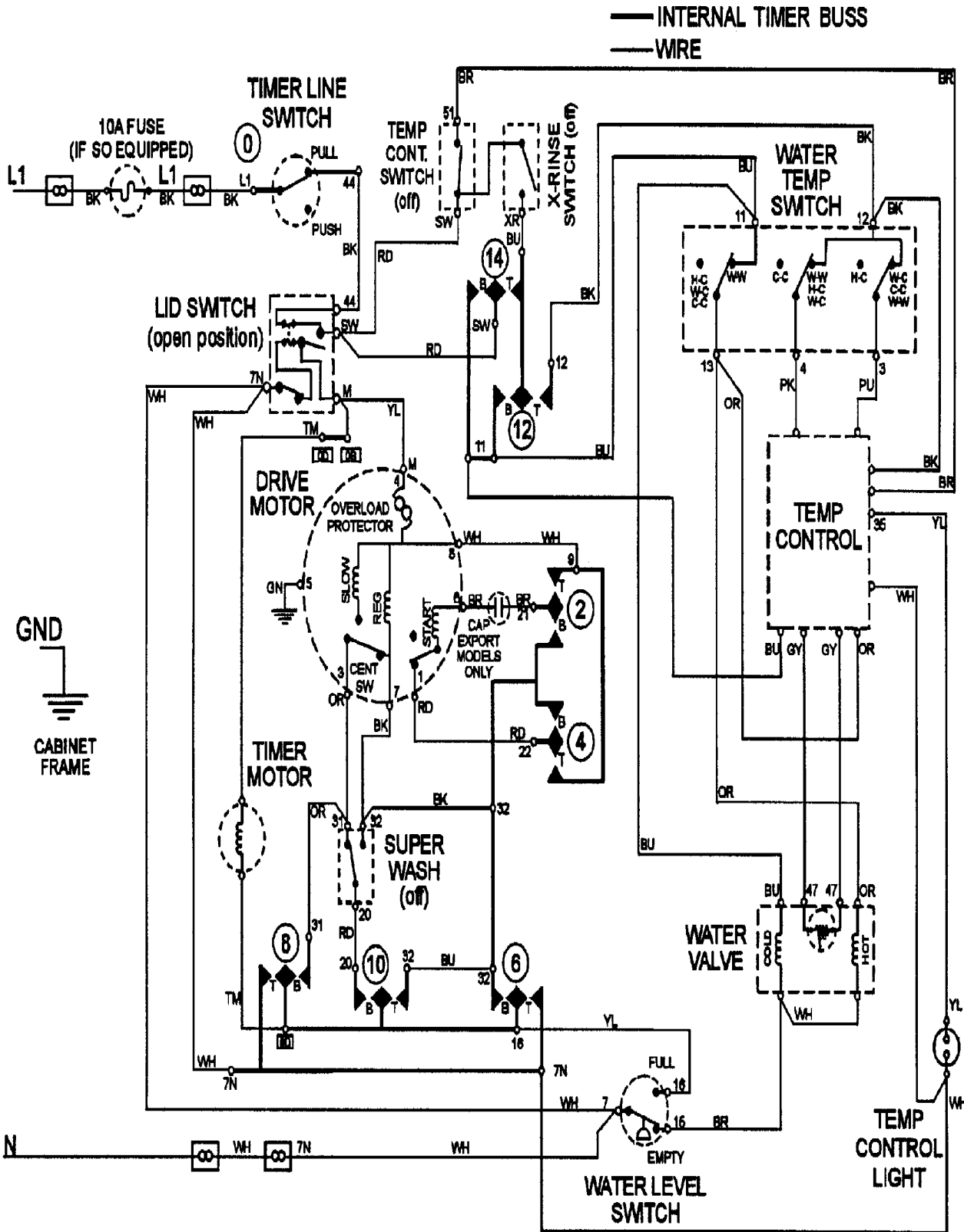
Section: TRANSMISSION

No.	Part No.	Description	Series	Qty
1	25-7941	"O" RING Note: "O" RING, AGTR DRIVE SHAFT	10	1
2	21001065	SCREW,#10-24X.50 HXNIBHD Note: SCREW, STATOR	10	6
3	35-3829	PULLEY, DRIVE Note: PULLEY, DRIVE (PLASTIC)	10	1
3	12001797	KIT, PULLEY & DUST CAP	13	1
4	LA-2007	CAM REPLACEMENT KIT	10	1
5	21001533	SEAL NUT ASSEMBLY	10	1
6	35-2082	WASHER,1.25ODX.530IDX.062 Note: WASHER, FLAT	10	1
-	35-2132	WASHER,1.25ODX.530IDX.032 Note: WASHER, FLAT	10	1
7	21001515	BASKET HUB ASSEMBLY	10	1
8	25-7854	RING, RETAINING	10	1
9	21001508	HOUSING/BEARING ASSY.	10	1
10	35-2205	BEARING, SPIN	10	1
11	-----	NOT REQUIRED PART OR SEE NOTE	13	0
11	35-2007	CAP, DUST	10	1
12	21001511	HOUSING/LWR.BEARING ASSY.	10	1
-	35-2205	BEARING, SPIN	10	1
13	21001518	SUPPORT, TUB	10	1
14	21001532	BRACE, TUB	10	3
15	25-7895	SCREW, SUSP HSG TO LWR BRG ASY Note: SCREW, TUB BRACE	10	6
16	21001163	HOUSING, SUSPENSION	10	1
17	35-2017	RETAINER, BRAKE SPRING	10	1
18	31001285	SPRING, BRAKE	10	1
19	25-7930	SCREW 5/16-18X3/4 Note: SCREW, TUB BRACE	10	6
20	21001509	SCREW,HIGH PERFORMANCE PLASTIC Note: SCREW, SUSPENSION HOUSING	10	3
21	35-2948	BRAKE ROTOR & LINING ASSY Note: BRAKE ROTOR & LINING ASSEMBLY	10	1
22	21001161	SNUBBER	10	1
23	35-2018	STATOR, BRAKE	10	1
24	12500036	THRUST BEARING KIT	10	1
25	21001536	TRANS. ASSY.(W/O SEAL/BEARING) Note: TRANSMISSION ASSY.(DUAL DRIVE)COMPONENTS OF THIS ASSEMBLY NOT SOLD SEPARATELY	10	1
26	12001598	TUB SEAL ASSEMBLY Note: (INCL TUB SEAL, TUB GASKET BASKET GASKET)	10	1
27	35-2974	TUB SEAL/HUB ASSY (HT TRANS)	10	1
28	35-2010	SEAL,TRANSMISSION HOUSING(LIP)	10	1

*Color Code (-)=Not Shown #=Series, Serial Prefix or Run No., N=Not Available

Section: WIRING INFORMATION

Model: MAV6000AWW



15002582

Free Manuals Download Website

<http://myh66.com>

<http://usermanuals.us>

<http://www.somanuals.com>

<http://www.4manuals.cc>

<http://www.manual-lib.com>

<http://www.404manual.com>

<http://www.luxmanual.com>

<http://aubethermostatmanual.com>

Golf course search by state

<http://golfingnear.com>

Email search by domain

<http://emailbydomain.com>

Auto manuals search

<http://auto.somanuals.com>

TV manuals search

<http://tv.somanuals.com>