

Subject: CENTER CONSOLE LID WILL NOT STAY CLOSED	Bulletin No: 09-033/06
	Last Issued: 7/21/2006

APPLICABLE MODEL(S)/VINS

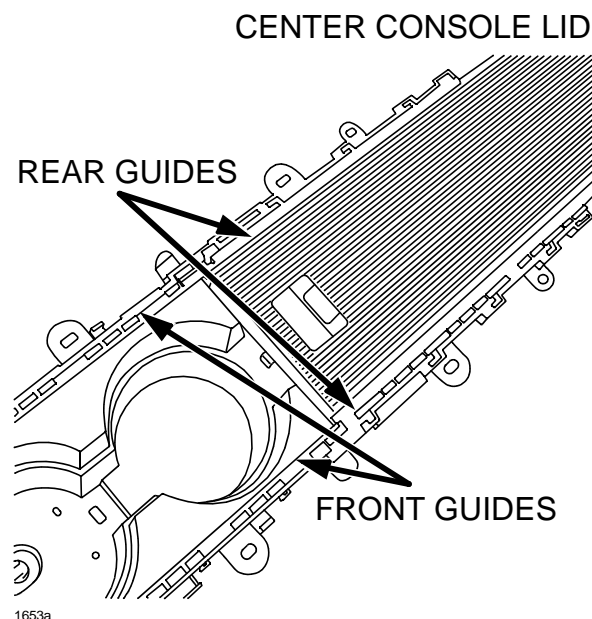
2006 MX-5

DESCRIPTION

On some vehicles, the center console lid may not stay in the closed position due to a broken latch. Customers having this concern should have the console lid replaced using the following repair procedure.

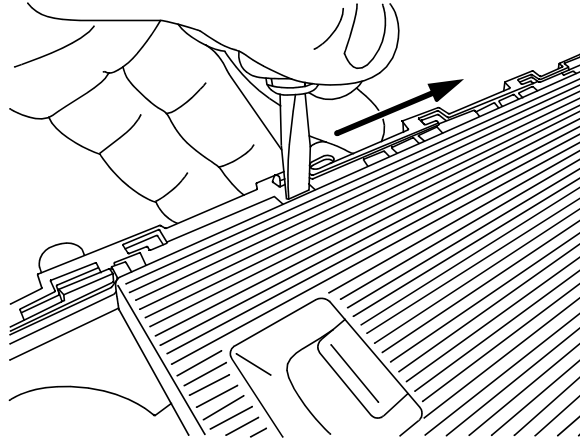
REPAIR PROCEDURE

1. Verify customer concern.
2. Remove the center console from the vehicle. Refer to Workshop Manual section 09-17 CONSOLE REMOVAL / INSTALLATION.
3. Remove the cup holder from the center console. Refer to Workshop Manual section 09-17 CONSOLE DIS-ASSEMBLY / ASSEMBLY.
4. Slide open center console lid fully to rear position.
5. Identify rear guides for console lid.

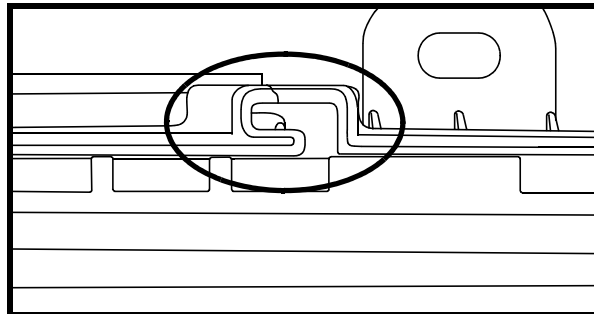


- Using a flat-tipped screwdriver, slide guides rearward to disengage tabs from sides of cup holder assembly as shown.

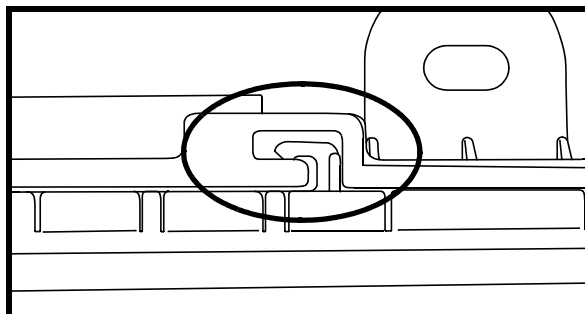
PLACE FLAT TIPPED SCREWDRIVER INTO
SLOT AND SLIDE GUIDE TOWARD REAR
OF CUP HOLDER TO DISENGAGE TABS
(REPEAT FOR BOTH SIDES)



1653b



GUIDE TAB SHOWN ENGAGED



1653c

GUIDE TAB SHOWN DISENGAGED

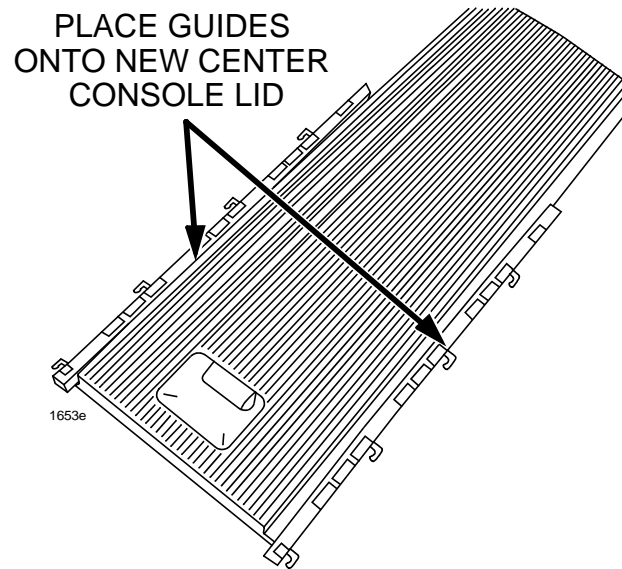
- Repeat for other side.
- Carefully lift console lid and guides from cup holder assembly.

9. Remove guides from old console lid.

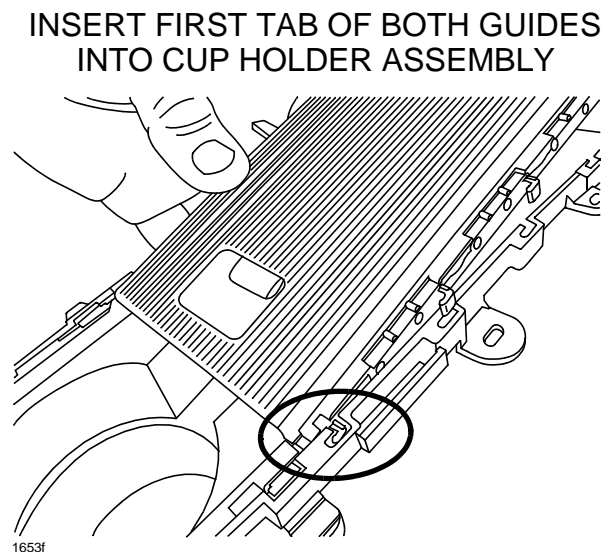
NOTE:

- Make note of sides of cup holder assembly guides are removed from for installation. Guides cannot be installed backward or on opposite sides. Attempting to do so may damage the guides and/or the cup holder assembly.

10. Install old guides onto new console lid. Line up with front edge of guides with front of lid.

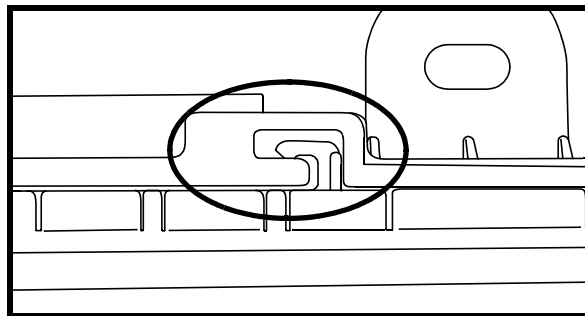
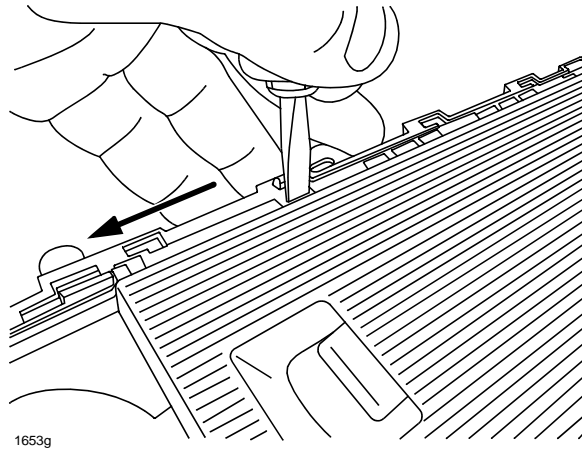


11. Insert first tab of both guides into cup holder assembly.

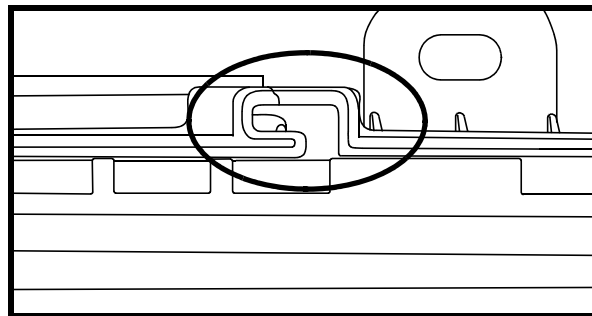


12. Carefully lay lid and guides down to line up remaining tabs.
13. Using a flat-tipped screwdriver, slide guide forward to engage tabs to sides of cup holder assembly.

PLACE FLAT TIPPED SCREWDRIVER INTO SLOT AND SLIDE GUIDE TOWARD FRONT OF CUP HOLDER TO ENGAGE TABS (REPEAT FOR BOTH SIDES)



GUIDE TAB SHOWN DISENGAGED



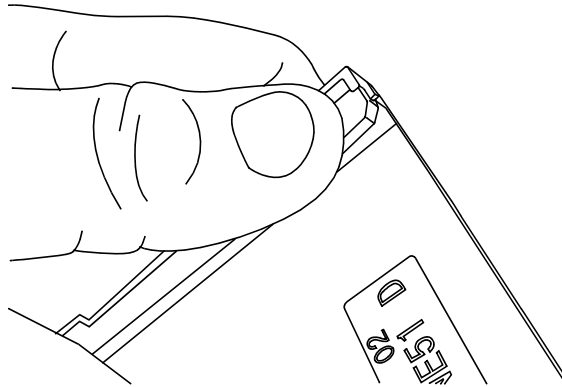
1653h

GUIDE TAB SHOWN ENGAGED

14. Slide center console lid to fully closed position.

15. Press down on rear of guides to ensure they are properly seated into cup holder assembly.

**FIRMLY PRESS DOWN ON REAR
OF GUIDES TO ENSURE REAR
TABS LOCK INTO POSITION**



1653i

16. Install cup holder to center console.

17. Install center console to vehicle.

18. Verify repair.

PART(S) INFORMATION

Part Number	Description	Qty.	Notes
NE51-64-390 -02	Center Console Lid Ass'y	1	Black
NE51-64-390 -89	Center Console Lid Ass'y	1	Tan

WARRANTY INFORMATION

NOTE:

- This warranty information applies only to verified customer complaints on vehicles eligible for warranty repair. Refer to the Warranty Wizard for warranty term information.
- Additional diagnostic time cannot be claimed for this repair.

Warranty Type	A
Symptom Code	64
Damage Code	9A
Part Number Main Cause	SEE PART(S) INFORMATION
Quantity	1
Operation Number / Labor Hours:	XXB337RX / 0.4 Hrs

Free Manuals Download Website

<http://myh66.com>

<http://usermanuals.us>

<http://www.somanuals.com>

<http://www.4manuals.cc>

<http://www.manual-lib.com>

<http://www.404manual.com>

<http://www.luxmanual.com>

<http://aubethermostatmanual.com>

Golf course search by state

<http://golfingnear.com>

Email search by domain

<http://emailbydomain.com>

Auto manuals search

<http://auto.somanuals.com>

TV manuals search

<http://tv.somanuals.com>