

Aussie[®]
Outdoor Living

by **MECO**[®]
CORPORATION



Bushman[®] LP Gas Grill

Assembly and Use Manual for:

Bushman[®] Deluxe



Bushman[®] Deluxe

For use with models:
7710.8.641
7710S8.641

FOR OUTDOOR HOUSEHOLD USE ONLY. NOT FOR COMMERCIAL USE.

For Customer Service, call 1-800-251-7558 or visit our web site at www.aussiegrills.com

⚠ WARNING

- Failure to follow these instructions could result in fire or explosion which could cause death, serious personal injury, or property damage.
- Read and follow instructions carefully before assembly or use.
- **Do not** use this product for any other purpose than which it is intended.
- These instructions must be kept with the user. **SAVE THESE INSTRUCTIONS.**

⚠ DANGER

If you smell gas:

1. Shut off gas to the appliance.
2. Extinguish any open flame.
3. Open lid.
4. If odor continues, keep away from the appliance and immediately call your gas supplier or your fire department.

⚠ WARNING

1. Do not store or use gasoline or other flammable liquids or vapors in the vicinity of this or any other appliance.
2. An LP cylinder not connected for use shall not be stored in the vicinity of this or any other appliance.

I. IMPORTANT SAFEGUARDS.....	2	2) Precautions.....	16
II. Assembly Instructions.....	5	3) Leak Testing.....	17
Step 1 - Assemble Wheel Leg.....	5	C) Operating the LP Gas Grill.....	17
Step 2 - Assemble Fixed Leg.....	5	1) Preparation Before Cooking.....	18
Step 3 - Assemble Cart.....	6	2) Lighting with Igniter.....	18
Step 4 - Attach Flavor Activator Pins, Grease Cup Hanger Burner & Heat Shield.....	7	3) Manual Lighting of the Grill.....	19
Step 5 - Attach Bowl to Cart.....	8	4) Check Your Flame.....	20
Step 6 - Attach Control Panel.....	9	5) Grill Cooking.....	20
Step 7 - Attach Igniter Wire.....	9	6) Roasting.....	20
Step 8 - Mounting Hood/Bowl Hinges.....	10	7) End of Cooking Session.....	20
Step 9 - Attach Hood.....	11	8) Turning Off Your LP Gas Grill.....	20
Step 10 - Attach Hood Handle & Handle Shield.....	12	D) Care and Maintenance.....	20
Step 11- Insert Flavor Activator.....	12	1) Porcelain Coated Cooking Surfaces.....	21
Step 12- Insert Cooking Grid.....	12	2) Spider Alert.....	21
Step 13- Insert Warming Rack.....	12	3) Burner Maintenance.....	21
Step 14- Assemble Side Tables.....	13	4) Flavor Activator.....	22
Step 15- Install Privacy Panel.....	13	5) Drip Cup.....	22
Step 16- Insert Drip Cup.....	14	6) Cleaning the Grill Body.....	22
Step 17- Attach LP Cylinder.....	14	7) Preventive Maintenance.....	22
III. Operating and Maintaining Your LP Gas Grill.....	15	8) Storage.....	22
A) Gas, Cylinder, Hose and Regulator Info.....	15	IV. Parts Diagram	23
1) LP Hose & Regulator Assembly.....	15	Parts List & Hardware List.....	23
2) LP Gas Cylinder.....	15	V. Emergencies & Troubleshooting.....	24
3) Connect/Disconnect LP Gas Cylinder.....	15	VI. Important Notice - LP Cylinder with OPD.....	26
B) Before Using Your Grill.....	16	VII. Limited Warranty.....	28
1) Selecting a Location.....	16		



IMPORTANT SAFEGUARDS

DANGER!

FAILURE TO FOLLOW THESE SAFEGUARDS COULD RESULT IN DEATH, SERIOUS BODILY INJURY, AND/OR PROPERTY LOSS. READ AND FOLLOW ALL INSTRUCTIONS CAREFULLY BEFORE ASSEMBLY OR USE OF THE LP GAS GRILL.

CAUTION

To reduce the risk of a laceration hazard, wear protective gloves when handling parts that have sharp edges.

1.  **WARNING!** Read and follow all instructions.
2. For Household Outdoor Use Only - Do Not Use Indoors or on recreational vehicles or boats. Never use as a space heater. Not for commercial use.
3.  **WARNING!** To reduce the risk of serious or fatal injury from breathing toxic fumes and from explosion and fire as a result of leaking gas, use only outdoors in an open area with good ventilation. As with all conventional fuels, the burning process consumes oxygen and produces toxic gases, including carbon monoxide. In addition, the combustion products of such fuels, including liquefied petroleum (LP), contain chemicals known to the state of California and other authorities to cause cancer, birth defects and other reproductive harm.
4. Place your Liquefied Petroleum (LP) gas grill on a firm, level surface. Grill should be setup away from high traffic areas and combustible materials.
5. Locate your LP gas grill at least 10 feet away from your house or any building. Do not use the grill in a garage, breezeway, carport, porch, or in any enclosed area. Do not locate this appliance under overhead unprotected combustible surfaces.
6. Have an ABC fire extinguisher accessible. Never attempt to extinguish a grease fire with water or other liquids.

7. **▲ WARNING!** If your grill catches on fire:
 - If the fire is in the grill portion and you can safely reach the control knobs, then turn them off by turning knobs clockwise. If you cannot safely reach the control knobs, call the fire department.
 - If the fire involves one of the hoses, and you can safely reach the propane cylinder valve, shut the valve off by turning LP cylinder valve handle clockwise to a full stop.
 - If the fire involves the cylinder, leave it alone, evacuate the area and call the fire department.
 - If there is any type of fire that threatens either personal safety or endangers property, call the fire department.
8. Check the Grease Cup for grease buildup. Remove excess grease to avoid a grease fire in the pan. **Never use the grill without Grease Cup in place.**
9. **▲ WARNING!** If you notice grease or other hot material dripping from the grill onto valve, hose, or regulator, turn off gas supply immediately. After the grill has cooled, determine the cause and correct it. After cleaning the valve, hose and regulator, perform a leak test before continuing use. See **Before Using Your LP Gas Grill** section (page 16) of this manual for correct leak test procedures.
10. This installation must conform with local codes or, in the absence of local codes, with either the National Fuel Gas Code, ANSI Z223.1, or CAN/CGA-B149.2, Propane Installation Code.
11. If an external electrical source is utilized, the outdoor cooking appliance, when installed, must be electrically grounded in accordance with local codes or, in the absence of local codes, with the National Electrical Codes, ANSI/NFPA 70, or the Canadian Electrical Code. CSA C22.1.
12. Keep any electrical supply cord and the fuel supply hose away from any heated surfaces. Electric cords should be placed away from walkways to avoid a tripping hazard.
13. Combustible materials should never be within 36 in. of the back or sides of your LP gas grill.
14. **▲ WARNING! Always Store Lp Cylinders upright and where temperatures do not exceed 125 degrees Fahrenheit. Never store a spare or disconnected LP cylinder under or near this LP gas grill.**
17. Check the LP gas grill for gas leaks and burner obstructions before each use.

▲ WARNING! Do not use a flame to check for gas leaks. See **Before Using Your LP Gas Grill** section of this manual for correct leak test procedures. A clogged burner tube can lead to a fire beneath grill.
18. **▲ DANGER!** If you see, smell, or hear the hiss of escaping gas from the LP cylinder:
 - A. Get away from the cylinder.
 - B. Do not attempt to correct the problem yourself.
 - C. Call your local fire department.
19. **▲ WARNING! Do not operate an LP gas grill if you have knowledge of or suspect a gas leak.**
20. Always inspect the gas hose and regulator assembly before each use. Always turn the LP cylinder to the "Off" position before inspecting parts. If the hose is cut, damaged, or showing signs of excessive abrasion or wear, do not use the LP gas grill. Contact the manufacturer, as the hose must be replaced with an assembly specified by the manufacturer prior to further use of the LP gas grill.
21. **▲ WARNING!** Before lighting the LP gas grill, open the hood to prevent an explosion from gas build-up. See Operation of Your LP Gas Grill section
22. If burner does not light, turn off all gas control knobs. Leave the grill hood open and wait five minutes before attempting to light.
23. If burner goes out during operation, turn off all gas control knobs. Open the hood and wait five minutes before attempting to light.
24. Exercise reasonable care when using this LP gas grill. Never leave grill unattended during use or cleaning.
25. Never allow children to operate or play near an LP gas grill. Keep animals and bystanders out of the grill area.
26. Always turn off the LP gas cylinder at the cylinder valve when not in use. Allow grill to cool before handling parts or cleaning.
27. **▲ WARNING!** Do not move an LP gas grill when in use or hot.
28. **▲ WARNING!** Never touch hot surfaces. Use heat resistant gloves, long-handled tongs, or cooking mitts at all times. The grill will become very hot. Open the hood carefully when cooking to avoid burns from the hot air and steam trapped inside.
29. Use only the hose and regulator assembly that is supplied with your LP gas grill and/or specified by the manufacturer.

30. Use of this LP gas grill other than for the intended use, or alteration of LP gas grill in any way may not be safe and will void any warranty.
31. Never attempt to repair the LP gas grill or cylinder yourself. Contact the manufacturer for information regarding repairs to your grill.
32. LP gas is not natural gas. The conversion or attempted use of natural gas in an LP unit or LP gas in a natural gas unit is dangerous and will void your warranty.
33. Do not use charcoal in an LP gas grill. Do not use aerosols or store flammable liquids or materials near this LP gas grill.
34. **⚠ WARNING!** Do not wear loose clothing (for example: hanging shirt tails, clothing with frills, etc.) around an LP gas grill while in use or hot.
35. Never use an LP cylinder if it shows signs of: dents, gouges, bulges, fire damage, corrosion, leakage, excessive rust or other forms of visual external damage; it may be hazardous and should be checked by a Liquefied Petroleum supplier. Do not use an LP cylinder with a damaged valve.
36. Even though your LP cylinder may appear to be empty, gas may still be present and the cylinder should be transported and stored accordingly.
37. Never store an LP gas cylinder indoors (empty or filled). If storing the gas grill indoors, disconnect LP gas cylinder and store it outdoors out of the reach of children.
38. Never leave an LP cylinder inside a vehicle which may become overheated by the sun.
39. Never lean your body over the LP gas grill when lighting it or while it is in use or hot.
40. Do not attempt to disconnect, move or alter any gas fittings while your LP gas grill is in operation.
41. Your LP gas grill should be cleaned on a regular basis. Refer to Care and Maintenance section in this manual.
42. This LP gas grill is not designed to be used with a solid plate (griddle). Full coverage of plates will cause excessive heat and could damage the grill.
43. Never douse the grill with water when its surfaces are hot because it may cause grease to splatter or the porcelain cooking grids and hood to break.
44. When not in use, the LP cylinder valve must be turned to "Off" position.
45. (a.) Do not store a spare LP-gas cylinder under or near this appliance;
(b.) Never fill the cylinder beyond 80 percent full; and
(c.) If the information in "a" and "b" is not followed exactly, a fire causing death or serious injury may occur.



ASSEMBLY INSTRUCTIONS

⚠ WARNING

To reduce the risk of serious bodily injury or death:

- The use of alcohol, prescription or non-prescription drugs could impair the consumer's ability to properly assemble or safely operate this appliance.
- Do not connect LP cylinders until assembly is complete.

CARBON MONOXIDE HAZARD

This appliance can produce carbon monoxide which has no odor.

Using it in an enclosed space can kill you.

Never use this appliance in an enclosed space, such as a camper, tent, car or home.

PREPARATION FOR ASSEMBLY: Remove Grill and all the packaging from carton and place on floor. Make sure there are no loose parts. **Note: Before using your grill, read the instructions and your manual.** For easier set-up and assembly, follow instructions of each step in the order they are written as you look at the diagrams. If accessories mentioned in certain assembly steps do not come with your model, skip that step and proceed to the next step that applies to your model.

— NOTICE —

MECO Corporation strives to be a quality supplier of consumer products. If we omitted any parts needed for assembly, or you need troubleshooting information, please contact us using our toll free number or visit our website. Thank you for purchasing a MECO Corporation product.

It is important to register your grill and retain your receipt.

1-(800)-251-7558
8 am - 5 pm E.S.T Mon. - Fri.
1-(423)-639-1171 (TELEPHONE)
1-(423)-639-2570 (FAX)

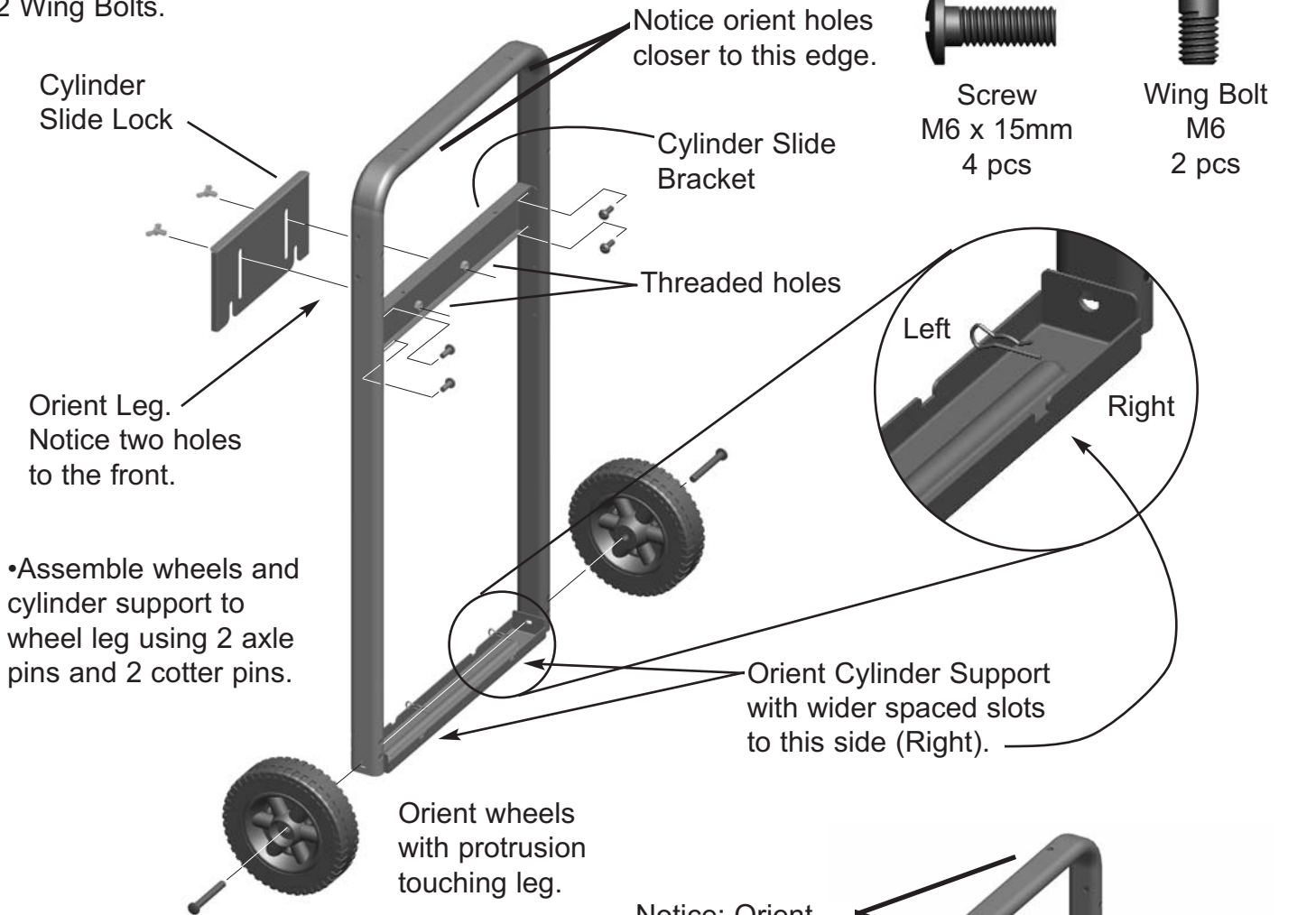
www.aussiegrills.com

CONSUMER SERVICE DEPARTMENT
MECO CORPORATION
1500 INDUSTRIAL ROAD
GREENEVILLE, TN. 37745 USA

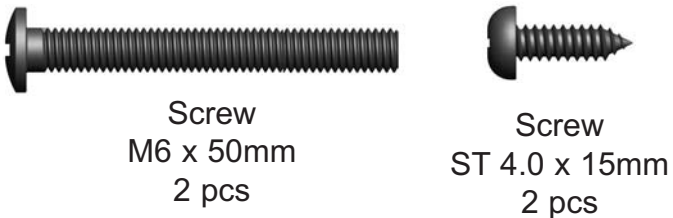
Step 1 - Assemble Wheel Leg

Tools:   

- Assemble Cylinder Slide Bracket to left leg using 4 M6 x 15mm Screws.
- Assemble the Cylinder Slide Lock to the Cylinder Slide Bracket using 2 Wing Bolts.



Step 2 - Assemble Fixed Leg



- Assemble Cart Brace to fixed leg using 2 M6 x 50mm screws.
- Assemble Cylinder Block Wire to fixed leg using 2 ST 4.0 x 15mm screws.

STEP 3 - Assemble Cart



Screw
M6 x 35mm
4 pcs

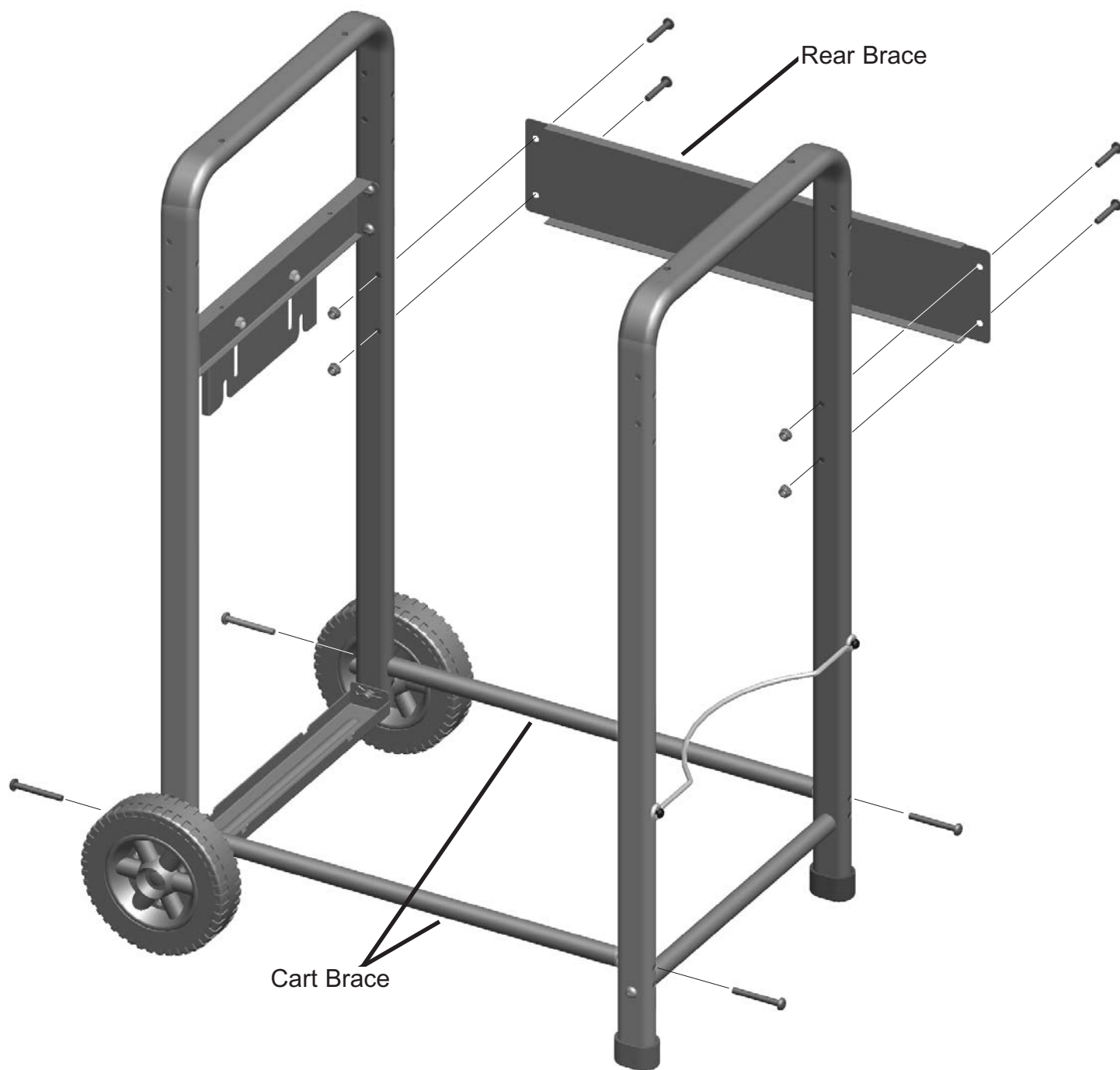


Nut
M6
4 pcs



Screw
M6 x 50mm
4 pcs

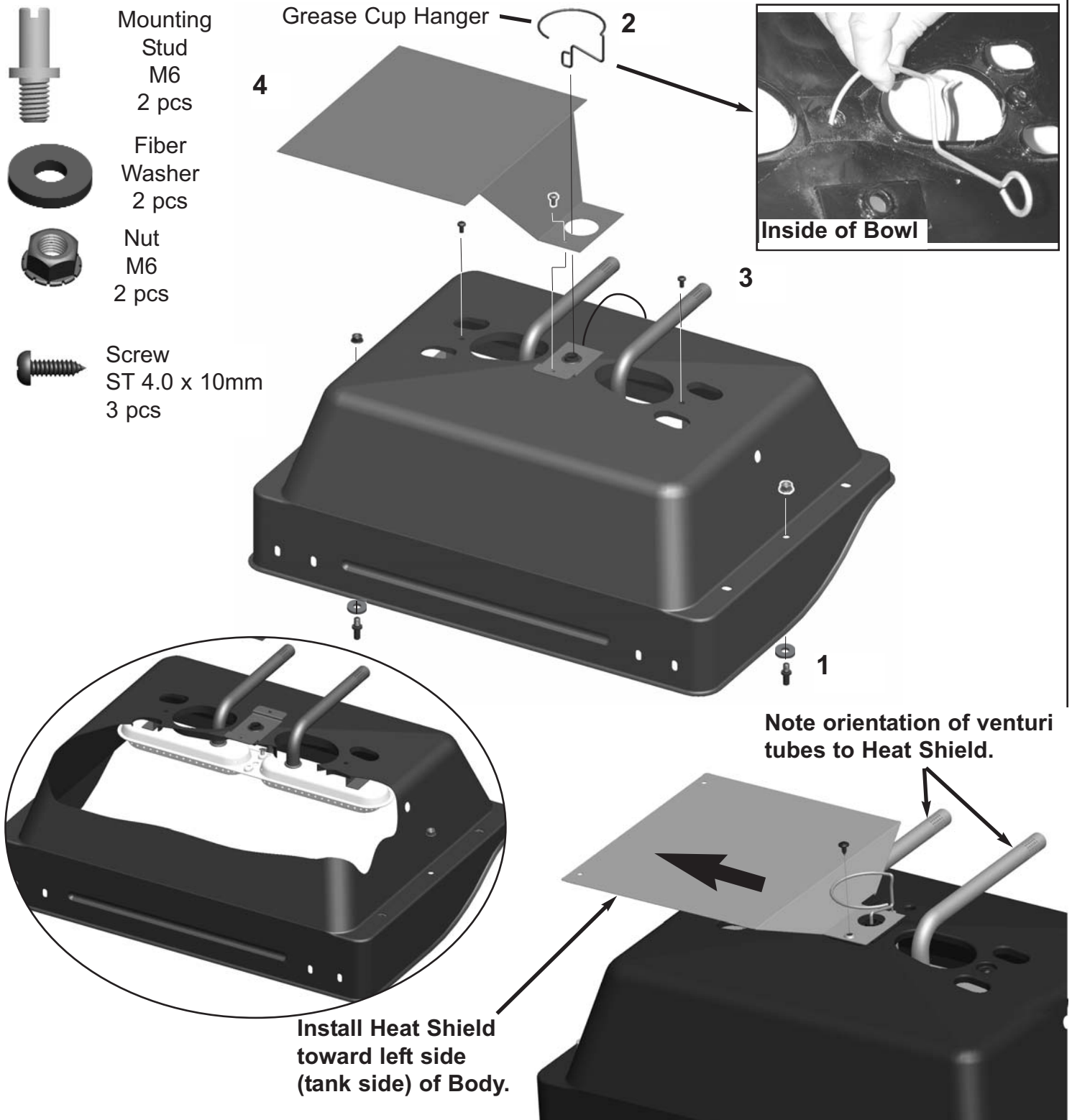
- Assemble Rear Brace to wheel leg and fixed leg using 4 M6 x 35mm Screws and 4 M6 Nuts.
- Assemble the 2 Cart Braces to the wheel leg and fixed leg using 4 M6 x 50 mm Screws.



STEP 4 - Attach Flavor Activator Pins, Grease Cup Hanger, Burner & Heat Shield

Follow the steps in order below. Refer to the step numbers below and beside the images.

1. Assemble 2 flavor activator Mounting Studs and two Fiber Washers to the bowl using 2 M6 nuts.
2. Insert Grease Cup Hanger into bowl.
3. Insert Burner Venturi tubes down through holes in bottom of grill bowl toward front of grill. Also insert igniter wire through hole in bottom of bowl. From underside of bowl, insert 2 ST 4.0 x 10mm screws into burner mounting holes and tighten.
4. Thread grease cup holder through center hole of heat shield and secure heat shield to bottom of bowl as shown using 1 ST 4.0 x 10mm Screw. The shield will later be secured to the cylinder slide bracket on the cart.



STEP 5 - Attach Bowl to Cart



Screw
M6 x 45mm
4 pcs



Fiber Washer
4 pcs



Bowl
Spacer
4 pcs



Nut
M6
4 pcs

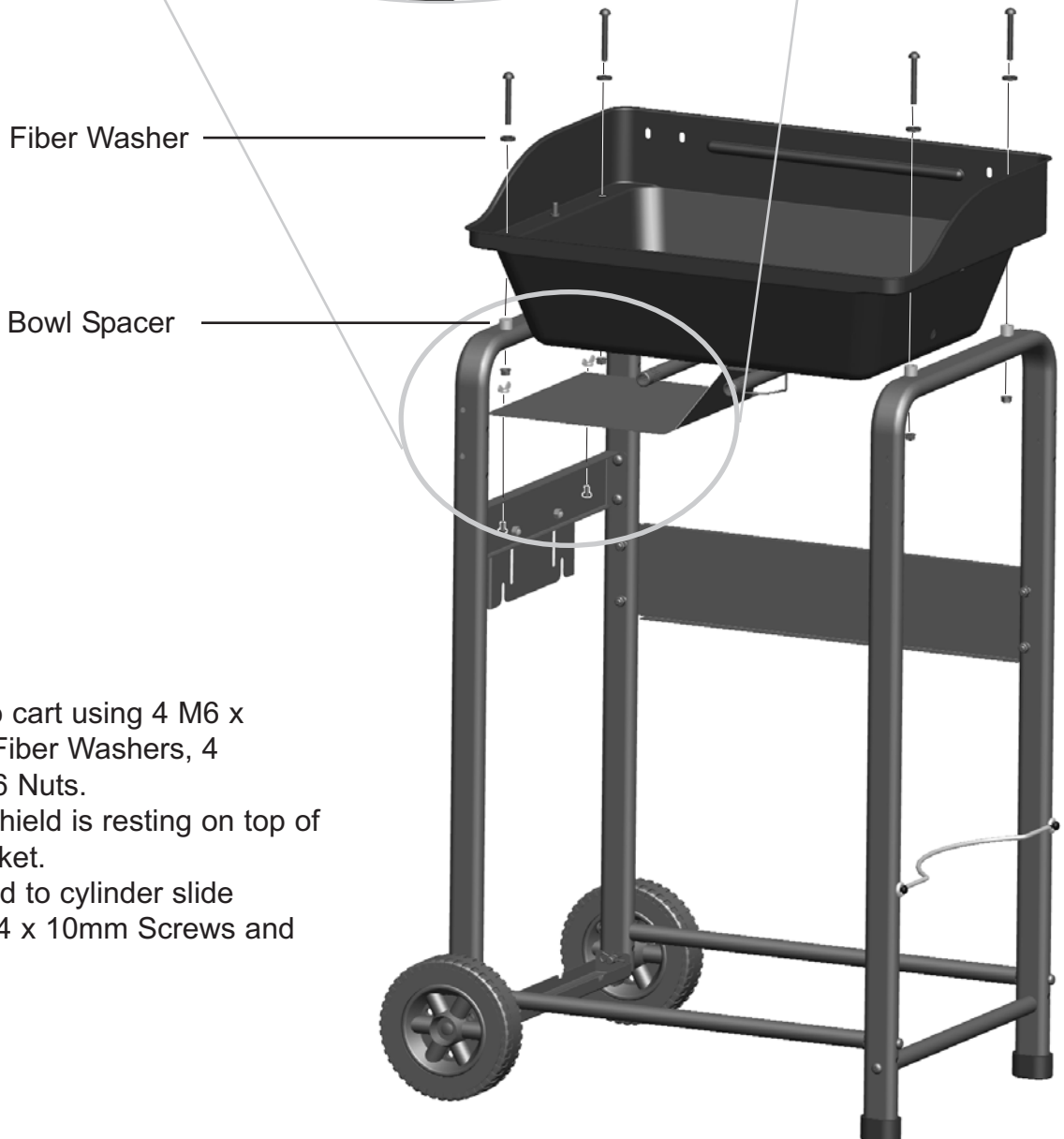
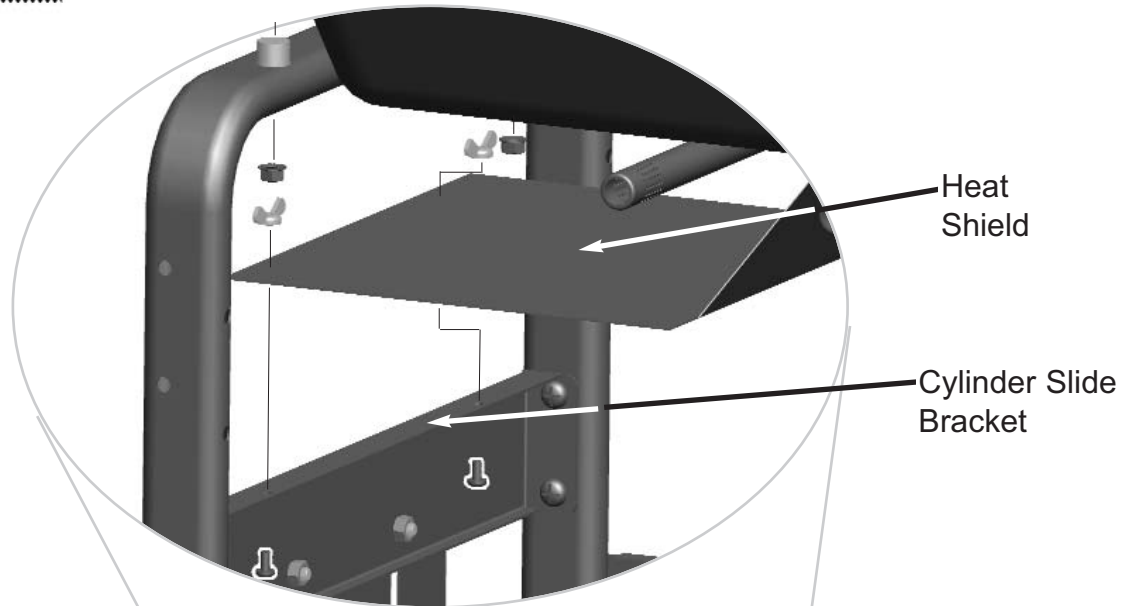


Screw
M4 x 10mm
2 pcs



Wing Nut
M4
2 pcs

- Assemble bowl to cart using 4 M6 x 45mm Screws, 4 Fiber Washers, 4 Spacers, and 4 M6 Nuts.
- Make sure heat shield is resting on top of cylinder slide bracket.
- Secure heat shield to cylinder slide bracket using 2 M4 x 10mm Screws and Wing Nuts.



STEP6 - Attach Control Panel

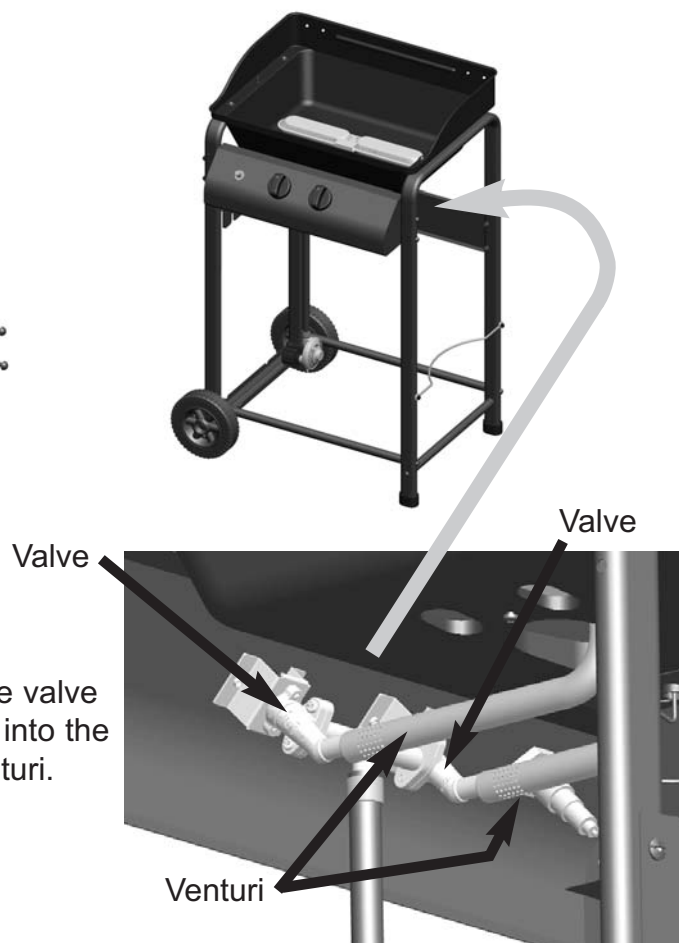


Screw
M6 x 50mm
4 pcs



Nut
M6
4 pcs

•Insert valve tips on back of control panel into burner venturi. Secure control panel to cart using 4 M6 x 50mm Screws and 4 M6 Nuts.



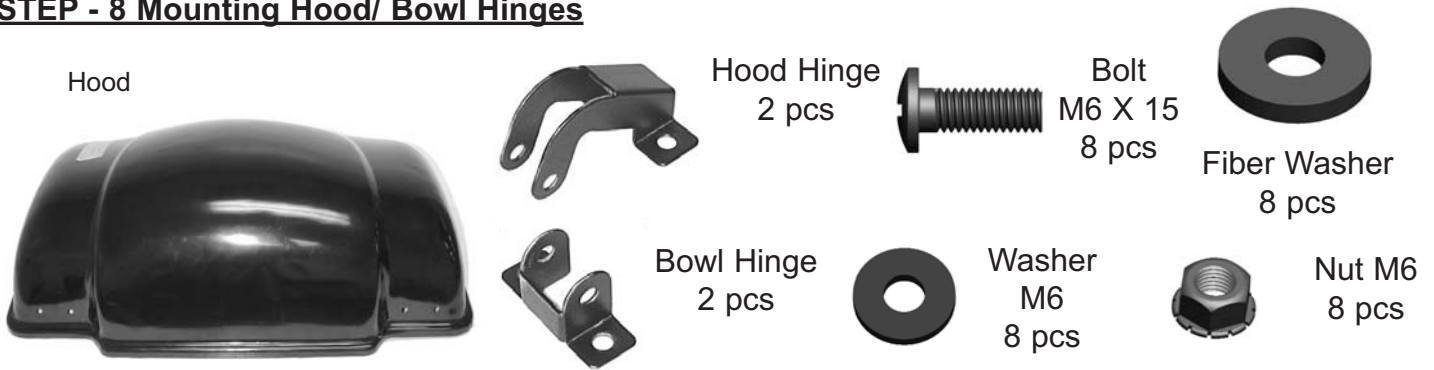
STEP 7 - Attach Igniter Wire

•Attach Igniter Wire : Push electrode connector at end of Igniter wire onto center tab on rear of Igniter Button.

•NOTE: Be sure to route electrode wire away from hot areas of the grill.



STEP - 8 Mounting Hood/ Bowl Hinges

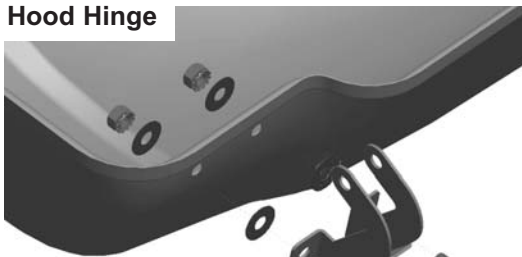


•Insert M6 x 15mm Bolt through Hood Hinge and Fiber Washer and into hole in back side of Grill Hood as shown. Install M6 Washer and secure with M6 Nut. (See Photos 1 & 2 below) Repeat for remaining holes to secure two Hood Hinges.

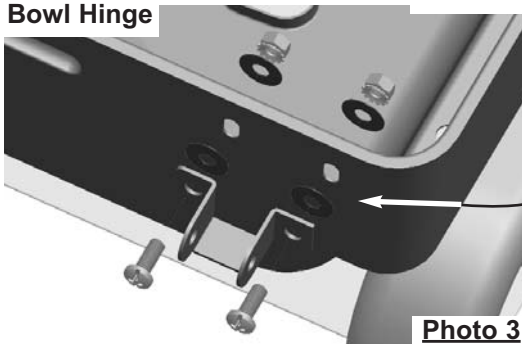
•Insert M6 x 15mm Bolt through Bowl Hinge and Fiber Washer and into hole in back side of Grill Bowl as shown. Install M6 Washer and secure with M6 Nut. (See Photos 3 & 4 below) Repeat for remaining holes to secure two Bowl Hinges.

NOTE: DO NOT Overtighten mounting screws. You could crack the porcelain grill coating.

Hood Hinge



Bowl Hinge



STEP 9 - Attach Hood



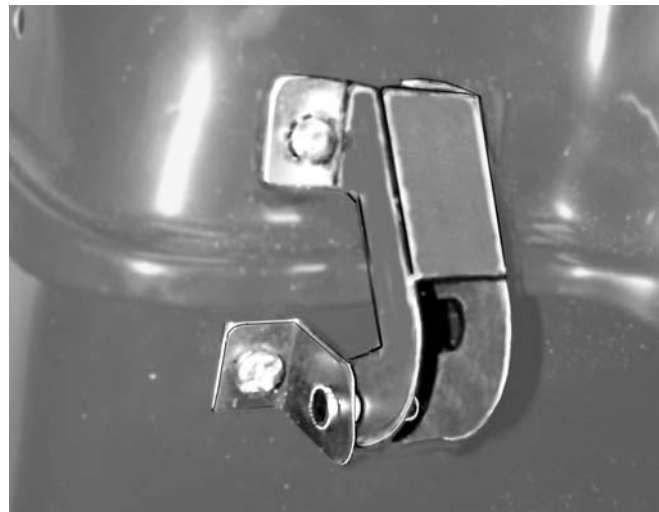
Hinge Pin
2 pcs



Cotter Pin
2 pcs

•Align Hood Hinge tabs with Bottom Hinge tabs and insert Hinge Pins from outside. Secure each Hinge Pin with Cotter Pin as shown.

•Close Hood and check assembly to make sure that the hood and bowl fit properly together. Adjust hood by loosening the Hinge Bolts and retightening.



⚠ CAUTION

To reduce the risk of a laceration hazard, wear protective gloves when handling parts that have sharp edges.

STEP 10 - Attach Hood Handle & Handle Shield



Hood Handle
1 pc



Hood Shield
1Pc



Bolt
M5 X 10
2 pcs

- Insert M5 x 10mm Bolt through Handle Shield, then through inside of Hood into Hood Handle. Repeat for other side of handle.

NOTE: DO NOT Overtighten mounting screws. You could crack the porcelain grill coating.

Step 11 - Insert Flavor Activator

- Place Flavor Activator onto Flavor Activator Mounting Studs.



Note: Place protrusions toward hood.

STEP 12 - Insert Cooking Grid

- Place Cooking Grid onto ledge in bowl.



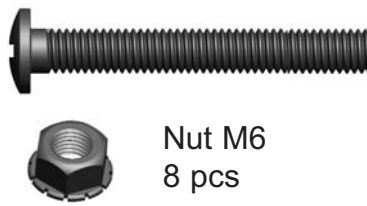
Step 13 - Insert Warming Rack

- Position warming rack as shown. Insert legs 1 and 2 in holes on right side of bowl and hood respectively. While holding leg 3, insert leg 4 into hole on hood. Carefully position leg 3 into hole in bowl and allow it to spring outward into position.



STEP 14 - Assemble Side Tables

- Slide 8 side table spacers onto 8 M6 x 45 mm screws.
- Insert M6 x 45mm screws and side table spacers through bottom holes of side table and through leg. Secure with M6 nuts and tighten.
- Insert M6 x 45mm screws and side table spacers through top holes of leg. Secure with M6 nut and tighten.
- Repeat for other side table.



Screw
M6 x 45mm
8 pcs



Table
Spacer
8 pcs

Nut M6
8 pcs



Note: The side table folds for storage. Make sure side table is secure when locked in the user position.

To lower side table simply grasp the front and rear of the side table, lift upward and pull slightly away from the grill. The table can then be pivoted down until it contacts the cart legs. Reverse the process to begin using the side table.

Step 15 - Install Privacy Panel

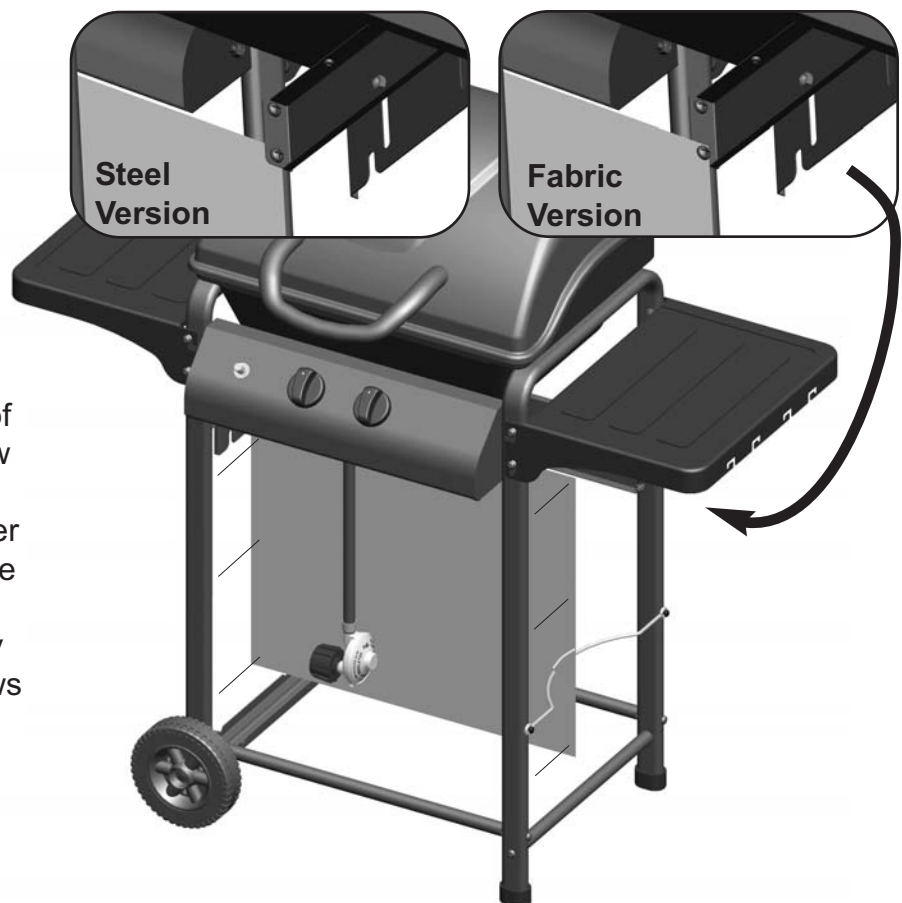


Screw
M6 x 15
1 pc installed
in Step 1



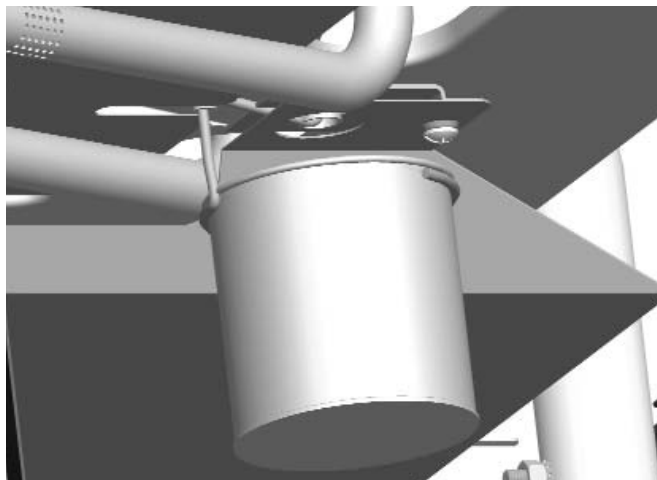
Screw
ST 4.0 x 10mm
5 pcs

- Attach privacy panel to back side of front legs using 1 M6 x 15mm screw on the upper left (pre-installed in Step 1 and also secures the Cylinder Slide Bracket. See inset appropriate to your privacy panel material.) Secure the remainder of the privacy panel using 5 ST 4.0 x 10mm screws in the remaining holes.



STEP 16 - Insert Drip Cup

- Insert drip cup into hanger clip underneath grill bowl.



Drip Cup

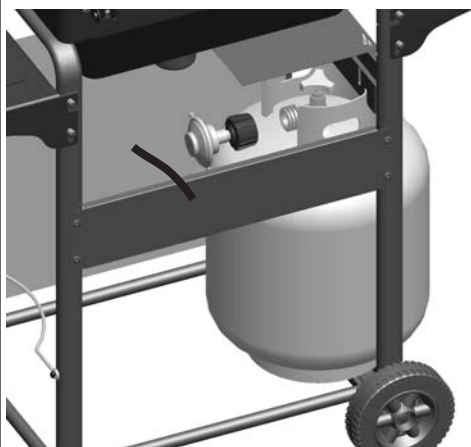
Step 17 - Attach LP Cylinder

Note: Turn all control knobs and LP cylinder valve to the "Off" position.

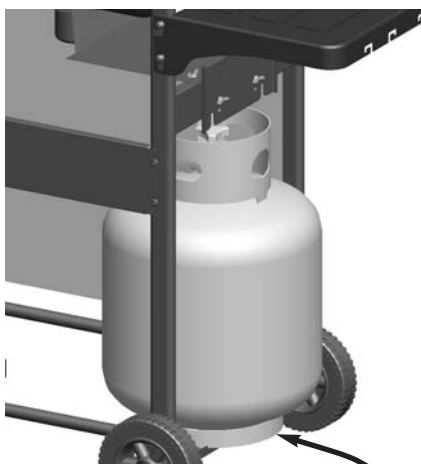


1. Loosen wing bolts on cylinder slide lock. Raise to highest position and retighten.

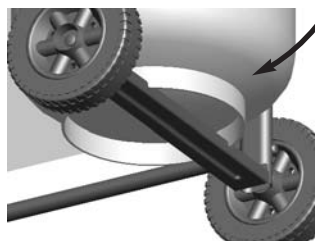
4. Remove the protective cap from the cylinder valve. Align regulator with cylinder valve. Make sure regulator hose is not near or contacting any hot surfaces.



2. Place cylinder on cylinder support and hold in place. Orient cylinder with open side of collar under the grill as shown. Notice not all cylinders look alike.



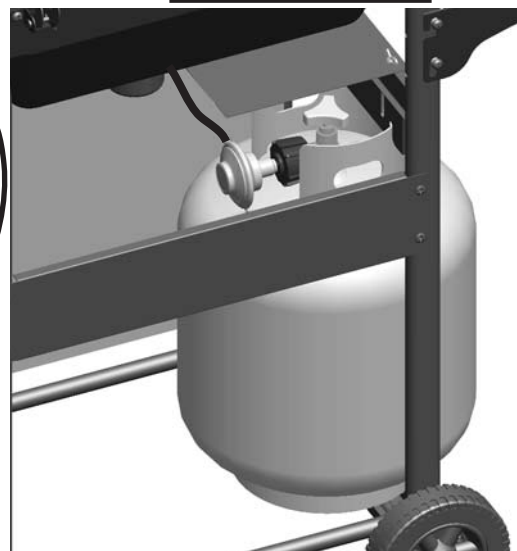
- Make sure bottom of cylinder sits in notches on cylinder support. This helps prevent cylinder movement.



3. Lower the cylinder slide lock onto collar of cylinder and tighten wing bolts.



5. Insert nipple of regulator into the cylinder nozzle opening. Hand tighten coupling nut in clockwise direction. **Do not use tools.**



Please complete your leak test and you are now ready to use your grill!

OPERATING AND MAINTAINING YOUR GAS GRILL

GAS, CYLINDER, HOSE AND REGULATOR INFORMATION

This LP gas grill was designed to use propane gas. Propane cylinders will supply gas all year round, even on cold winter days.

LP HOSE AND REGULATOR ASSEMBLY

⚠ WARNING!

· Using a hose and regulator assembly that has not been supplied by the manufacturer of this LP gas grill, could result in serious bodily injury or property loss.

- Use only the hose and regulator assembly that has been furnished with this LP gas grill. If the hose and regulator assembly is not working properly and you need a replacement, contact the manufacturer (1-800-251-7558).
- Inspect the hose before each use. If the hose is cut or damaged or shows signs of excessive abrasion or wear, do not use the LP gas grill. Contact the manufacturer, as the hose must be replaced with an assembly specified by the manufacturer prior to the further use of the LP gas grill.

LP Cylinder

⚠ DANGER!

- Read and follow all warnings on LP gas cylinder.
- If you see, smell, or hear the hiss of LP gas escaping from the cylinder:
 - 1) Evacuate all people from the grilling area.
 - 2) Do not attempt to correct the problem yourself.
 - 3) Call the local fire department.

- The LP gas cylinder, for use with the Aussie LP gas grills, must meet the following requirements:
 - 1) 12" diameter x 18" tall, 20 lb maximum capacity
 - 2) Overfill Prevention Device (OPD) safety feature (should be noted on cylinder)
 - 3) Must be constructed and marked in accordance with the U.S. Department of Transportation (DOT) or the National Standard of Canada, CAN/CSA-B339. (See collar for marking)
 - 4) Must have collar to protect LP cylinder valve.
- Never use an LP gas cylinder if it shows signs of: dents, gouges, bulges, fire damage, corrosion, leakage, excessive rust or other forms of visual external damage; it may be hazardous and should be checked by a liquid propane supplier.
- The LP gas cylinder should never be filled more than 80% of cylinder volume. (20 lb. maximum) Do not ask the propane supplier to over-fill the cylinder.

· If you obtain LP gas through a cylinder exchange dealer, make sure you are getting a safe and adequate O.P.D. cylinder. Use only a licensed LP gas cylinder dealer.

· Keep children away from LP gas cylinder at all times.

· Do not use, store, or transport the LP gas cylinder where it would be exposed to high temperatures. The relief valve may open which will allow a large amount of flammable gas to escape. Never leave an LP gas cylinder inside a vehicle which may become overheated by the sun.

· **WARNING! Never store an LP cylinder indoors.** Storage of an outdoor cooking gas appliance indoors is permissible only if the cylinder is disconnected and removed from the outdoor cooking gas appliance. Cylinders must be stored outdoors out of the reach of children and must not be stored in a building, garage, or any other enclosed area.

· **WARNING! Never store a spare LP gas cylinder under or near the grill.** All spare and disconnected LP gas cylinders must have safety caps installed on the LP cylinder valve.

· LP gas is not natural gas. The conversion or attempted use of natural gas in an LP unit or LP gas in a natural gas unit is dangerous and will void your warranty.

· Never attempt to repair an LP gas cylinder valve yourself. See an authorized LP gas cylinder dealer for repairs.

· When transporting an LP gas cylinder, keep it secured in an upright position with cylinder valve turned to off position.

Connecting/ Disconnecting LP Gas Cylinder to Grill

· Do not operate the LP gas grill when the LP gas cylinder is not attached to the cart as shown in the Assembly Instructions.

⚠ WARNING!

- Always check for gas leaks when you disconnect and reconnect the regulator to the LP gas cylinder, especially after a period of storage (for example, over winter).
- Check tubes that lead into the burner for any blockage from insects, spiders, or food grease before using.
- Check grill hoses for cracking, brittleness, holes, or leaks.
- Make sure there are no sharp bends in the hose or tubing.
- Make sure Regulator Hose does not contact hot metal surfaces.

- Never connect or disconnect LP gas cylinder or fittings while grill is in use or is hot.
- When the LP gas cylinder is connected, the grill must be kept outside in a well-ventilated space. Turn off all of the grill control knobs and the LP cylinder valve when grill is not in use.
- Move gas hose as far away as possible from hot surfaces.
- Place dust cap on cylinder valve outlet whenever the cylinder is not in use. Only install the type of dust cap on the cylinder valve outlet that is provided with the cylinder valve. Other types of caps or plugs may result in leakage of propane.

How to Connect your LP gas cylinder (See STEP 22 of Assembly Instructions for diagram)

- 1) Make sure all of the control knobs are turned to the "off" position and verify that the LP gas cylinder valve is closed by turning the handle on the LP gas cylinder valve clockwise until it stops.
- 2) Remove the protective cap from the LP cylinder gas nozzle.
- 3) Hold regulator in a straight line with LP cylinder gas nozzle so the connection does not cross thread.
- 4) Insert Regulator nipple into the LP cylinder nozzle opening.
- 5) Hand tighten coupling nut in a clockwise direction. Do not use tools.
- 6) Perform a Leak Test. (See STEP 10 of Assembly Instructions for Leak Test Instructions)

How to Disconnect your LP gas cylinder

- 1) Turn all control knobs to the "off" position and turn the handle on the LP gas cylinder clockwise until it stops.
- 2) Turn coupling nut on regulator in a counter-clockwise direction until regulator is released from threaded LP cylinder gas nozzle.
- 3) Place the protective cap over LP cylinder gas nozzle.

**BEFORE USING YOUR
LP GAS GRILL**

Selecting a Location

⚠ WARNING!

- Do not use an LP gas grill indoors, on recreational vehicles, or on a boat.

- This LP gas grill is for outdoor use only and should be placed on firm, level surface. The grill should be setup in an open area with good ventilation, away from high traffic areas and combustible materials.
- Combustible or flammable materials should never be used or stored within 36 inches of the back or sides of your LP gas grill.
- Locate your LP gas grill at least 10 feet away from your house or any building. Do not use the grill in a garage, breezeway, carport, porch, or under a surface that can catch fire.

Precautions

⚠ WARNING!

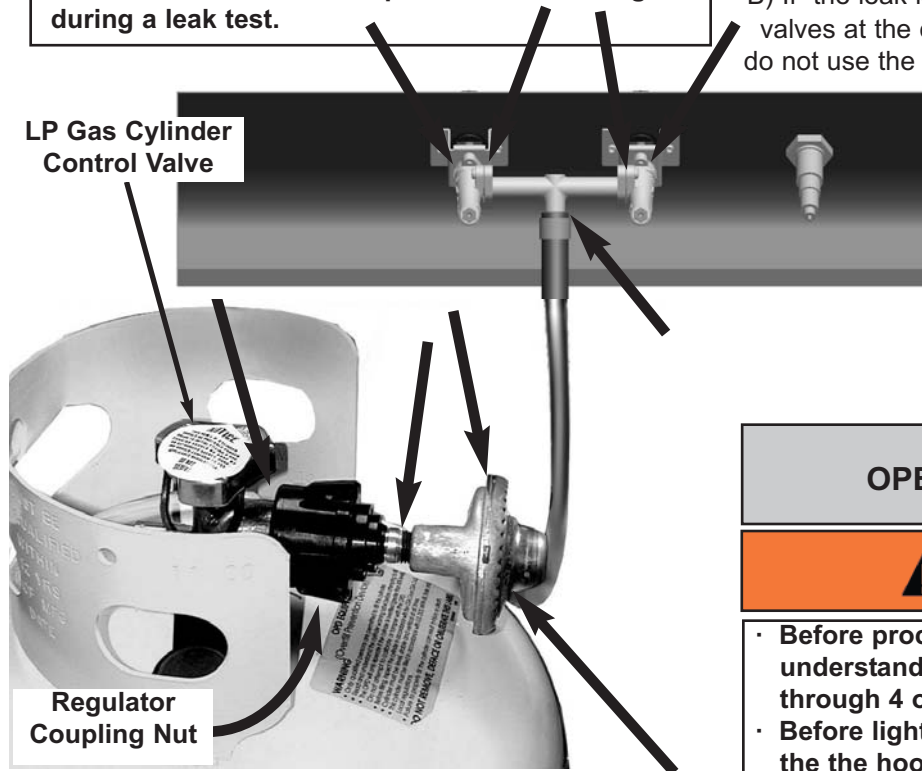
- Carefully read the Important Safeguards section of this manual (pages 2 through 4). Make sure you follow and understand all instructions and warnings. If you have any questions regarding these pages, call 1-800-251-7558 and ask for a Customer Service Representative.
- This installation must conform with local codes or, in the absence of local codes, with either the National Fuel Gas Code, ANSI Z223.1, or CAN/CGA-B149.2, Propane Installation Code.
- If an external electrical source is utilized, the outdoor cooking appliance, when installed, must be electrically grounded in accordance with local codes or, in the absence of local codes, with the National Electrical Codes, ANSI/NFPA 70, or the Canadian Electrical Code, CSA C22.1.
- If any electric appliance or rotisserie is used with the LP gas grill, do not allow cords to touch or be near hot surfaces. Electric cords should be placed away from walkways to avoid a tripping hazard.
- Grill storage cover must be removed and placed at least 36 inches from the LP gas grill while in use. The grill cover is made of a flammable material. The grill must be completely cooled before putting the cover back on the grill.
- Never store a spare or disconnected LP gas cylinder under or near this LP gas grill.
- Inspect the hose and regulator assembly before each use. If the hose is cut or damaged or shows signs of excessive abrasion or wear, do not use the LP gas grill. Contact the manufacturer, as the hose must be replaced with an assembly specified by the manufacturer prior to the further use of the LP gas grill.
- Use only the hose and regulator assembly that is supplied with your LP gas grill.
- Use of this LP gas grill other than for the intended use, or alteration of the LP gas grill in any way may not be safe and will void any warranty.
- LP gas is not natural gas. The conversion or attempted use of natural gas in an LP unit is dangerous and will void your warranty.
- Never use an LP gas cylinder if it shows signs of: dents, gouges, bulges, fire damage, corrosion, leakage, excessive rust, or other forms of visual external damage; it may be hazardous and should be checked by a Liquefied Petroleum supplier. Do not use an LP cylinder with a damaged valve.
- Never use charcoal in your LP gas grill. Do not use aerosols or store flammable liquids or materials near this gas grill.

Leak Testing

⚠ WARNING!

- Always perform a leak test before each use.
- Leak test must be performed in a well ventilated area.
- Never perform a leak test on a grill while in use or hot.
- If you detect a gas leak that cannot be corrected by using the leak test procedures below, do not use the LP gas grill.
- Never smoke or have an open flame near the grill during a leak test.

- 9) Check for leaks by brushing the soap solution on all LP gas connections and fittings (such as those shown by the heavy arrows in the diagram below.) Make sure you generously brush the locations with the soap solution, completely surrounding the connections and fittings.
- 10) If “growing” bubbles appear on any of the connection points, then you have detected a gas leak. Immediately close the LP cylinder valve by turning the handle clockwise.
 - A) If leak appears at either end of hose and regulator assembly, retighten the connection at the leak, but do not overtighten. (Note: Only hand tighten at coupling nut) Repeat Leak Test.
 - B) If the leak is coming from the LP gas cylinder, from the valves at the control knobs, or if the leak cannot be stopped, do not use the grill. Call Customer Service at 1-800-251-7558.
- 11) Turn all control knobs to the “off” position and turn the handle on the LP gas cylinder clockwise until it stops. Disconnect LP gas cylinder by turning coupling nut in a counter-clockwise direction until regulator is released from threaded LP cylinder gas nozzle.
- 12) Place the protective cap over LP cylinder gas nozzle.



OPERATING THE LP GAS GRILL

⚠ WARNING!

- Before proceeding, make certain that you understand the Important Safeguards on pages 2 through 4 of this manual.
- Before lighting the LP gas grill, you must open the the hood to prevent an explosion from gas build-up.
- If your LP gas grill catches on fire:
 - If the fire is in the grill portion and you can safely reach the control knobs on the control panel, then turn them to the off position.
 - If the fire involves one of the hoses, and you can safely reach the LP cylinder valve, shut the valve off.
 - If the fire involves the cylinder, leave it alone, evacuate the area and call the fire department.
 - If there is any type of fire that threatens either personal safety or endangers property, call the fire department.
- If you notice grease or other hot material dripping from the grill onto the valve, hose, or regulator, turn off the gas supply immediately. After the grill has cooled, determine the cause and correct it. After cleaning the valve and hose and regulator assembly, perform a leak test before continuing use.
- Do not operate an LP gas grill if you have knowledge of or suspect a gas leak.
- Never allow children to operate or play near an LP gas grill. Do not leave grill unattended.

Supplies Needed for a Leak Test

Clean paint brush, water, and dishwashing liquid.

How to perform a leak test (See illustration above for more information.)

⚠ WARNING! Never use an open flame to test for gas leaks.

- 1) Use an LP Cylinder equipped with an OPD (Overfill Prevention Device) and have it filled at an authorized LP gas dealer by a qualified attendant.
- 2) Make sure all of the grill control panel knobs are turned to the “off” position and verify that the LP gas cylinder valve is closed by turning the knob on the LP gas cylinder clockwise until it stops.
- 3) Remove the protective cap from the LP cylinder gas nozzle.
- 4) Hold regulator in a straight line with LP cylinder gas nozzle so the connection does not cross thread.
- 5) Insert nipple of regulator into the LP cylinder nozzle opening.
- 6) Hand tighten coupling nut in a clockwise direction. Do not use tools.
- 7) Mix one cup of water with one cup of dishwashing liquid.
- 8) Open the valve on LP gas cylinder (Turn the knob on the LP gas cylinder counter-clockwise.)

⚠ WARNING: Continued

- Never touch hot surfaces. Use heat resistant gloves, long-handled tongs, or cooking mitts at all times since the grill will become very hot. Open the hood carefully when cooking to avoid from the hot air and steam trapped inside.
- Always turn off the LP gas cylinder at the LP cylinder valve when not in use. Allow grill to cool before handling parts or cleaning.
- Do not move an LP gas grill when in use or hot.
- Do not wear loose clothing (example: hanging shirt tails, clothing with frills, etc.) around a LP gas grill while in use or hot.
- Never lean your body over the LP gas grill when lighting it or while it is in use or hot.
- This LP gas grill is not designed to be used with a solid plate (griddle.) Full coverage of plates will cause excessive heat and could damage the grill.

Preparation Before Cooking

- Wash the porcelain or chrome coated Cooking Grids with a mixture of hot water and baking soda.
 - Empty the grease cup after each cooking session so excessive grease does not accumulate.
- Failure to remove grease may result in grease dripping onto the cart and/or a grease fire in the tray.

Lighting the Grill Using Igniter

⚠ WARNING!

- Open Hood before lighting the grill to prevent an explosion from gas buildup.



4. Push in Igniter to light.

- Always inspect the gas hose and regulator assembly before each use. If the hose is cut, damaged, or shows signs of excessive abrasion or wear, do not use the LP gas grill. Contact the manufacturer, as the hose and regulator assembly must be replaced with an assembly specified by the manufacturer prior to further use of the LP gas grill.

How to light your LP gas grill (See illustrations below.)

- 1) Open Hood
- 2) Important: Make sure control knobs are turned "off" first. Open the LP gas cylinder valve by turning the valve handle counter-clockwise until it stops.
- 3) From the "Off" position, push control knob in on the left side and turn counter-clockwise to the high position.
- 4) Push the igniter button several times so that it clicks each time.
- 5) Check to make sure that the burner is lit.
- 6) Light the remaining half of the burner by turning the control knob counter-clockwise. Your grill has a crossover ignition system that allows the burner to light each side successively.
- 7) If burners does not light, repeat Step 3. The burner should light within three or four attempts. If burner still does not light, try the right side.

- ⚠ **WARNING: If both sides of the burner fail to light after following Steps 3 & 4, turn all knobs to the "off" position and close the valve on the LP gas cylinder. Wait five minutes; then repeat all of the above lighting procedures.**

Note: If the burner still fails to light, refer to the [Troubleshooting](#) page. The burner can be lit manually, see [Manual Lighting of the Grill](#).

- 8) After ignition, preheat the grill by turning the control knobs to "High" for 3-5 minutes. The grill should be pre-heated before every cooking session. The hood should be closed during preheating.

- ⚠ **WARNING: If a burner goes out during the cooking cycle, turn all knobs to the off position and close the valve on the LP cylinder. Open hood and wait five minutes before attempting to relight the grill.**

2. Turn LP cylinder handle counter-clockwise to open.



3. Push in left or right control knob and turn counter-clockwise to the "High" position.

Manual Lighting of the Grill

⚠ WARNING!

- Open Hood before lighting the grill to prevent an explosion from gas build-up.
- Always inspect the gas hose and regulator assembly before each use. If the hose is cut, damaged, or showing signs of excessive abrasion or wear, do not use the LP gas grill. Contact the manufacturer, as the hose must be replaced with an assembly specified by the manufacturer prior to further use of the LP gas grill.

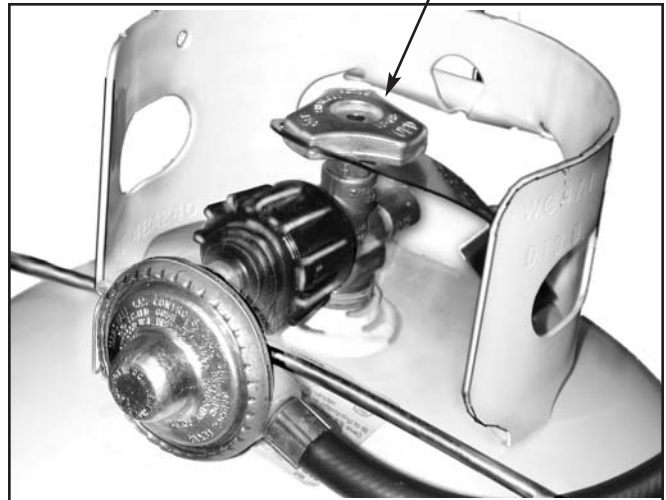
How to manually light your LP gas grill

- 1) Open Hood
- 2) Important: Make sure Control Knobs are turned "off." Open the LP gas cylinder valve by turning counter-clockwise until it stops.
- 3) Insert a lit match through match-lighting hole underneath the grill bowl on the right side. (See figure below).

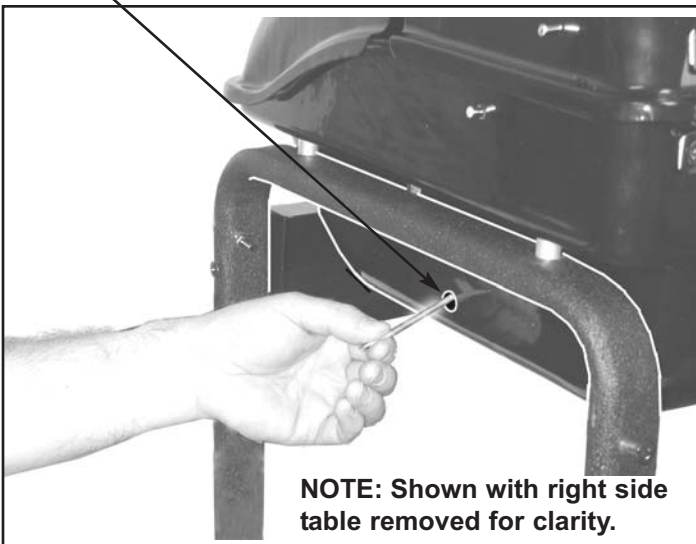


1. Open hood

2. Turn LP cylinder handle counter-clockwise until it stops.



3. Match lighting hole in right side of grill body - Insert a lit match through the match lighting hole.



4. Push in right control knob and turn counter-clockwise to the "High" position.



- 4) Push in and turn the right main burner control knob counter-clockwise to the "high" position.

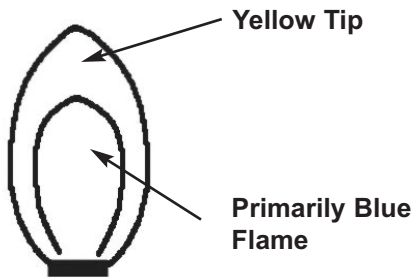
⚠ WARNING: If the burner fails to ignite after following the above procedure, turn control knob to the off position and close the valve on the LP cylinder. Wait five minutes and repeat all of the above manual lighting procedures. If the grill still fails to light, see the [Troubleshooting](#) page.

- 5) Check to make sure that the burner is lit.
- 6) Light the remaining half of the burner by turning the control knob counter-clockwise. Your grill has a crossover ignition system that allows the burner to light each side successively.
- 7) If burner does not light, repeat Step 3. The burner should light within three or four attempts.
- 8) After ignition, preheat the grill by turning the control knobs to "High" for 3-5 minutes. The grill should be pre-heated before every cooking session. The hood should be closed during preheating.

⚠ WARNING: If the burner goes out during the cooking cycle, turn the control knob to the "off" position and close the valve on the LP cylinder. Wait five minutes before attempting to relight.

Check Your Flame

Your burner has been preset by the manufacturer for optimal flame performance. A blue flame, possibly with a small yellow tip, is the result of the optimal air and LP gas mixture. (See diagram below)



The flame should be checked before the initial cooking session and periodically throughout the grilling season, especially after storing the grill over a long period of time. If the flame is significantly yellow in color, the amount of LP gas in the air/LP gas mixture is not correct. This could be a result of a blocked burner from grease drippings or from insects building a nest inside the burner or burner opening. You should follow the Burner Maintenance section of this manual for cleaning the burners.

Grill Cooking

The burner heats up the Flavor Activator[®] underneath the grid, which in turn heats the food on the grill. The natural food juices produced during cooking fall onto the hot Flavor Activator[®] below and vaporize. The subsequent rising smoke bastes the food, as it travels upwards, giving it that unique barbecued flavor.

Roasting Hood Cooking

The grill is equipped with a roasting hood giving the option of cooking with hood closed to form an 'oven' for roasting food, such as roasts of meat, whole chickens, etc. When the hood is closed, a large amount of heat is trapped inside the grill. Thus, it is **IMPORTANT** to make sure that the burner is turned to the low position to prevent burning of the food. Avoid lifting the hood unnecessarily as heat is lost every time the hood is opened.

End of Cooking Session

WARNING

- **Never leave your LP gas grill unattended during use or cleaning.**

After each cooking session, close the hood and turn the grill burners to the "high" position and burn for five minutes. This procedure will burn off cooking residue, thus making cleaning easier.

Turn off Your LP Gas Grill

How to turn off your LP gas grill

- 1) When you have finished using your grill, turn the grill Control Knobs clockwise to the "Off" position.
- 2) Turn off the gas at the LP cylinder valve by turning the handle clockwise until it stops.
- 3) Wait until the grill is cool before closing the grill hood and putting on the cover.

WARNING! Never store an LP gas cylinder indoors (empty or filled). If storing the gas grill indoors, disconnect LP gas cylinder and store it outdoors out of the reach of children.

CARE AND MAINTENANCE

WARNING

- **Always turn "off" the LP gas cylinder at the LP cylinder valve, when not in use. Allow the grill to cool before handling parts or cleaning.**
- **Do not move an LP gas grill when in use or hot.**
- **Never touch hot surfaces. Use heat resistant gloves, long-handled tongs, or cooking mitts at all times since grill will become very hot.**
- **Do not wear loose clothing (for example: hanging shirt tails, clothing with frills, etc.) around a LP gas grill while in use or hot.**
- **Never lean your body over the LP gas grill when lighting it or while it is in use or hot.**
- **Never douse the grill with water when its surfaces are hot because it may cause grease to splatter or the porcelain cooking grids and hood to break.**

Regularly clean your LP gas grill between uses and especially after extended periods of storage. Ensure the grill and its components are cool before cleaning. In order to extend the life and maintain the condition of your grill, we strongly recommend that the unit be covered when stored outside for any length of time, especially during the winter months.

CARE AND MAINTENANCE (Continued)

Most residue on the Cooking Grids can be cleaned with a baking soda and water solution. For stubborn stains, use a nonabrasive scouring powder. Do not use steel wool or other like cleaning products on the porcelain coated surfaces. This will scratch the porcelain coating causing foods to stick.

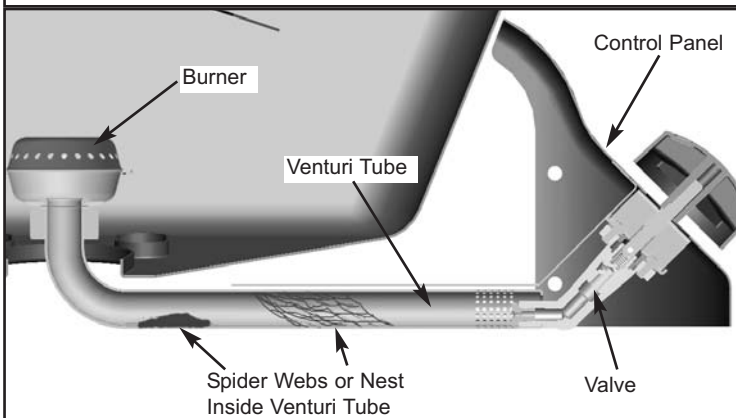
! WARNING

To reduce the risk of a fire beneath the grill:

- **Inspect and clean burner/venturi tubes for insects and insect nests.**
- **Be sure burners are re-installed properly before using grill.**
- **Inspect burners periodically, if large cracks or holes are found, replace the Burner.**

! CAUTION SPIDER ALERT!

Should you notice that you burner(s) are getting hard to light or the flame is not as hot as it once was, Refer to the “**How to Clean your Burners**” Section to remove any possible obstructions.



Spiders or small insects can build nests, webs and lay eggs in the grill's venturi tubes obstructing the flow of gas to the burner. The backed-up gas can ignite behind the control panel causing damage to the grill and even injury to the operator. This is known as a “flashback”.

In order to prevent flashbacks, the burner(s) should be removed from the grill and cleaned periodically, especially if the grill has been stored for an extended period of time.

Burner Maintenance

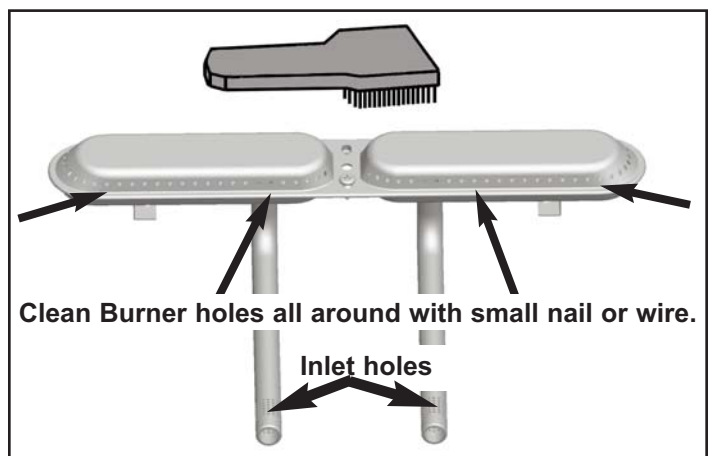
! WARNING

- **Check the LP gas grill for gas leaks and Burner obstructions before each use.**
- **Always turn off the LP gas cylinder at the LP cylinder valve when not in use. Allow grill to cool before handling parts or cleaning.**

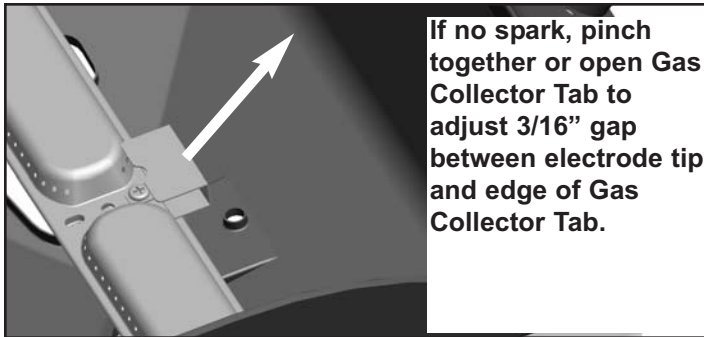
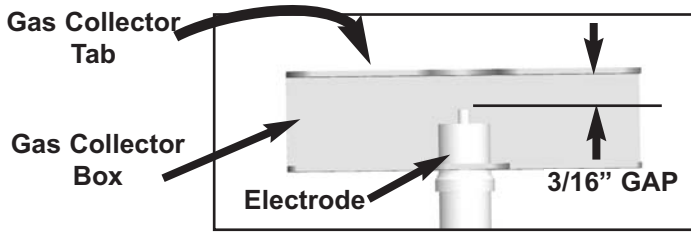
Provided that the Burner is operating correctly, in normal usage, burning off the residue after cooking will keep the burner clean. The Burner should be removed and cleaned annually, or whenever heavy build-up is found, to ensure that there are no signs of blockage (debris, insects) in either the burner portholes, the primary air inlet, or the neck of the burner. (See Burner cleaning instructions below)

How to clean the Burner

- 1) Make sure the LP cylinder and grill control knobs are turned off, and the grill has completely cooled.
- 2) Carefully remove Grease Cup, Cooking Grid, and Flavor Activator™.
- 3) Remove the Burner, by first removing the Heat Shield from the bottom of grill Bowl. Remove the two screws securing the burner (also located underneath the grill bowl.)
- 4) Remove Burner from the grill.
- 5) Use a pipe cleaner to clear obstructions from the Burner holes and inlet hole. Verify that there are no insects or insect nests blocking the inlet hole. Normal wear and corrosion may enlarge some holes, however, if large cracks or holes are found the Burner should be replaced.
Note: It is normal for surface rust to be present on the Burner.
- 6) If grill is to be stored, coat Burner lightly with cooking oil. and Wrap in a protective cover to keep insects out.
- 7) After cleaning, reinstall Burner and other parts removed back into grill. Note: When refitting the Burner, be careful to check that it is positioned correctly. (Refer to Step 4 of [Assembly Instructions](#) for reinstallation)



Adjust Gas Collector tab as shown below to obtain 3/16" gap between electrode tip and collector tab.



How to Clean the Grill Body

- 1) Remove Cooking Grid, Flavor Activator™, and Burner before full cleaning.
- 2) Remove excess grease and/or fat from the grill Bowl with a soft plastic or wooden scraper. Never use steel wool or other abrasive cleaning product on porcelain coated surfaces.
- 3) For further cleaning, use hot soapy water and a cloth, or nylon-bristled brush only. **Do not immerse the gas controls or manifold in water. Make sure all water is removed from Burner.**
- 4) When finished cleaning, replace Burner, Flavor Activator™ and Cooking Grid according to Steps 4, 11, and 12 in the [Assembly Instructions](#).
- 5) Check burner operation after reassembly.

! WARNING

- Always turn off the LP gas cylinder at the LP cylinder valve when not in use. Allow grill to cool before handling parts or cleaning.
- Do not use aerosols or store flammable liquids or materials near this gas grill.

Preventive Maintenance

Periodically check and tighten all nuts, bolts, and screws.

Flavor Activator™

Remove and wash the Flavor Activator® in order to keep it clean. Burning off the residue after each cooking will make cleaning easier. Clean with soap and water.

Drip Cup

! WARNING

- Always turn the LP gas cylinder valve "Off" when not in use. Allow grill to cool before handling parts or cleaning.
- Empty the Grease cup after each cooking session so excessive grease does not accumulate. Failure to remove grease may result in grease dripping onto the cart and/or a grease fire in the cup.
- Never light the LP gas grill without the grease cup in place.

- Before each use, remove all grease from your Grease Cup.
- Make sure Grease Cup is in place before each grilling session.
- Failure to remove grease from the Grease Cup may result in grease dripping onto the cart.

Cleaning the Grill Bowl

! WARNING

- Always turn off the LP gas cylinder at the LP cylinder valve when not in use. Allow grill to cool before handling parts or cleaning.

Storage

! WARNING

- Never store an LP gas cylinder indoors (empty or filled). If storing the gas grill indoors, disconnect the LP gas cylinder and store it outdoors out of the reach of children.
- Never leave an LP gas cylinder inside a vehicle which may become overheated by the sun.
- Never store a spare or disconnected LP gas cylinder under or near the LP gas grill.
- Always turn off the gas cylinder when not in use. Allow grill to cool before handling parts or cleaning.
- Even though your LP gas cylinder may appear to be empty, gas may still be present and the cylinder should be transported and stored accordingly.

- Store your LP gas grill in a cool dry place .
- Disconnect LP gas cylinder from grill and store outside, in a dry, well-ventilated area, away from any sources of heat or ignition. Re-cap LP cylinder valve with the Safety Cap.
- Remove Burner and wrap with aluminum foil to prevent insects from entering the burner holes. Store wrapped Burner on top of cooking grid.
- Before next use, remove aluminum foil and reinstall Burner, Flavor Activator, and Cooking Grid according to [Assembly Instructions](#).
- Check your LP gas grill for gas leaks, deterioration, proper assembly, and burner obstructions before using the grill after periods of storage and/or non-use(i.e. over winter).

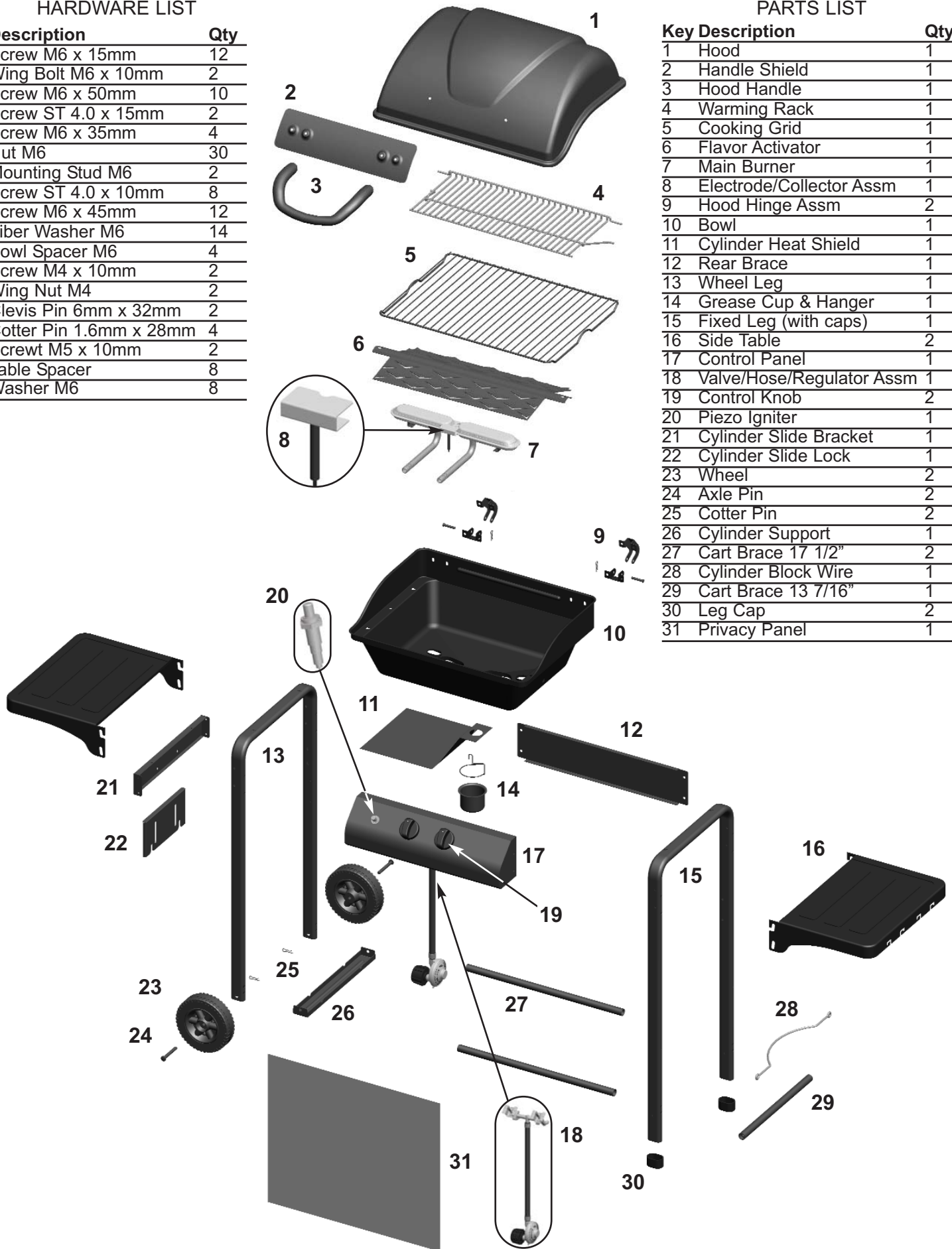
Parts Diagram - Some small parts may not be depicted.

HARDWARE LIST

Description	Qty
Screw M6 x 15mm	12
Wing Bolt M6 x 10mm	2
Screw M6 x 50mm	10
Screw ST 4.0 x 15mm	2
Screw M6 x 35mm	4
Nut M6	30
Mounting Stud M6	2
Screw ST 4.0 x 10mm	8
Screw M6 x 45mm	12
Fiber Washer M6	14
Bowl Spacer M6	4
Screw M4 x 10mm	2
Wing Nut M4	2
Clevis Pin 6mm x 32mm	2
Cotter Pin 1.6mm x 28mm	4
Screw M5 x 10mm	2
Table Spacer	8
Washer M6	8

PARTS LIST

Key Description	Qty
1 Hood	1
2 Handle Shield	1
3 Hood Handle	1
4 Warming Rack	1
5 Cooking Grid	1
6 Flavor Activator	1
7 Main Burner	1
8 Electrode/Collector Assm	1
9 Hood Hinge Assm	2
10 Bowl	1
11 Cylinder Heat Shield	1
12 Rear Brace	1
13 Wheel Leg	1
14 Grease Cup & Hanger	1
15 Fixed Leg (with caps)	1
16 Side Table	2
17 Control Panel	1
18 Valve/Hose/Regulator Assm	1
19 Control Knob	2
20 Piezo Igniter	1
21 Cylinder Slide Bracket	1
22 Cylinder Slide Lock	1
23 Wheel	2
24 Axle Pin	2
25 Cotter Pin	2
26 Cylinder Support	1
27 Cart Brace 17 1/2"	2
28 Cylinder Block Wire	1
29 Cart Brace 13 7/16"	1
30 Leg Cap	2
31 Privacy Panel	1



Emergencies

<u>Problem</u>	<u>Possible Cause</u>	<u>Solution</u>
Gas leaking from cracked/cut/burned hose.	Damaged hose.	Turn off gas at the LP cylinder. Replace valve/hose/regulator before continuing use.
Gas leaking from LP cylinder	Mechanical failure due to rust or mishandling.	Replace LP Cylinder
Gas leaking from LP cylinder valve	Failure of valve from mishandling or mechanical malfunction.	Turn off LP cylinder valve. Return cylinder to gas supplier.
Gas leaking between LP cylinder and regulator connection.	Improper installation, connection not tight, failure of seal on LP cylinder valve.	Turn off LP Cylinder valve. Re-install correctly or tighten coupling nut. Replace cylinder if seal is damaged. See "Leak Test" and "Connecting Regulator to LP Cylinder" sections.
Fire coming through control panel	Fire in or around venturi tube section of the burner.	If you can safely reach the control panel, turn off control knobs then close the LP cylinder valve. Once fire is out and grill has cooled off. Remove burner(s) and inspect for blockage from spider webs/nests or rust. See "How To Clean Burners." section. Replace any damaged parts.
Grease fire or excessive flames above cooking surface.	Too much grease build-up in burner section.	Turn off control knobs and LP cylinder valve. Once fire is out and grill has cooled off. Clean residual food particles and excess grease from inside firebox area, grease cup and other surfaces.
Flashback.... (fire in or around venturi tubes.	Clogged or blocked venturi tube.	If you can safely reach the control panel, turn control knobs to "OFF" then close LP cylinder valve. Clean burner and venturi tubes. "See "How To Clean Burners" Section.

Troubleshooting

<u>Problem</u>	<u>Possible Cause</u>	<u>Solution</u>
Burners will not light using the ignitor	Burners not assembled correctly	See re-assembly after cleaning in <u>Care and Maintenance</u> .
	Not pausing long enough before clicking the Ignitor Button	When lighting the Burner, push-in and turn control panel knob counter-clockwise to the high position. Pause 4 seconds, then Push in Ignitor button several times so that it clicks each time.
	No spark, electrode cracked, broken or loose.	<ol style="list-style-type: none"> 1-Make sure all the wires are connected and to the right terminals. 2-If Electronic, check the battery. Make sure it is pushed in the holder. 3-Gas collector tab is bent (making too large or small of a gap between electrode and tab). By hand, bend gas collector tab back within a maximum of 3/16" gap to electrode. (Page 26) 4-Tighten Electrode mounting screws. 5-Replace damaged electrodes.
	LP- gas cylinder is empty	Take LP gas cylinder to licensed LP gas supplier to be refilled.
	Regulator Coupling nut is not fully connected to LP cylinder	Tighten coupling nut by hand about one-half to three quarters additional turn. Do not use tools.

TROUBLESHOOTING (Cont'd)

Problem	Possible Cause	Solution
Burners will not light using the ignitor	LP-Excess flow valve tripped in regulator. Vapor lock in connections. Obstructions in burners Wet Electrodes and burners Wire loose or disconnected Wire shorting (sparking between ignitor and electrode)	Turn control knobs to "off" position and turn LP gas cylinder handle clockwise until it stops. Wait five minutes. Relight LP gas grill. If flame continues to be low, turn off gas at cylinder and grill. Disconnect the regulator from the LP gas cylinder. Reconnect the regulator to the LP gas cylinder. Perform a leak test. Relight grill. This will reset the excess flow valve. Clean the burners. (See How to Clean the burners in Care and Maintenance .) Dry electrode with clean cloth. Air dry or use blow dryer. Reconnect the wire. Replace ignitor wire/electrode assembly (Call the Customer Service Department).
Burners will not light using a match	Burners not assembled correctly LP-gas cylinder is empty LP-Excess flow valve tripped in regulator Regulator Coupling nut is not fully connected to LP cylinder Obstructions in burners	See re-assembly after cleaning in Care and Maintenance . Take LP gas cylinder to licensed LP gas supplier to be refilled Turn control knobs to "off" position and turn LP gas cylinder handle clockwise until it stops. Wait five minutes. Relight LP gas grill. If flame continues to be low, turn off gas at cylinder and grill. Disconnect the regulator from the LP gas cylinder. Reconnect the regulator to the LP gas cylinder. Perform a leak test. Relight grill. This will reset the excess flow valve. Tighten coupling nut by hand about one-half to three quarters turn. Do not use tools. See How to Clean the Burners in Care and Maintenance .
Low flame or low heat	LP-Gas in LP cylinder is low OR Natural Gas supply pressure is low Excess flow valve tripped in regulator	Check LP gas cylinder. Refill if necessary. Turn control knobs to "off" position and turn LP gas cylinder handle clockwise until it stops. Wait five minutes. Relight LP gas grill. If flame continues to be low, turn off gas at cylinder and grill. Disconnect the regulator from the LP gas cylinder. Reconnect the regulator to the LP gas cylinder. Perform a leak test. Relight grill. This will reset the excess flow valve.
Flames blow out	High or gusting winds Gas in LP cylinder is low Excess flow valve tripped	Turn front of grill away from wind or increase flame height. Check LP gas cylinder. Refill if necessary. See "Low flame" problem above.
Flare up	Grease build up Excessive fat in meat	Clean grill. Trim fat from meat before grilling.
Persistent grease fire	Grease trapped around burner system	Turn control knobs "off" and turn handle of LP cylinder clockwise until it stops. Open hood carefully and let fire burn out. After the grill cools, remove and clean all parts.
Unable to fill LP tank	Some dealers have older fill nozzles with worn threads.	The worn nozzles don't have enough "bite" to engage the valve. Try another licensed LP dealer.

TROUBLESHOOTING (Cont'd)

Humming or whistling from the regulator

Outside temperature, humidity, barometric pressure, and the gas level within the tank may cause the rubber diaphragm inside the regulator to vibrate, making a humming or whistling sound.

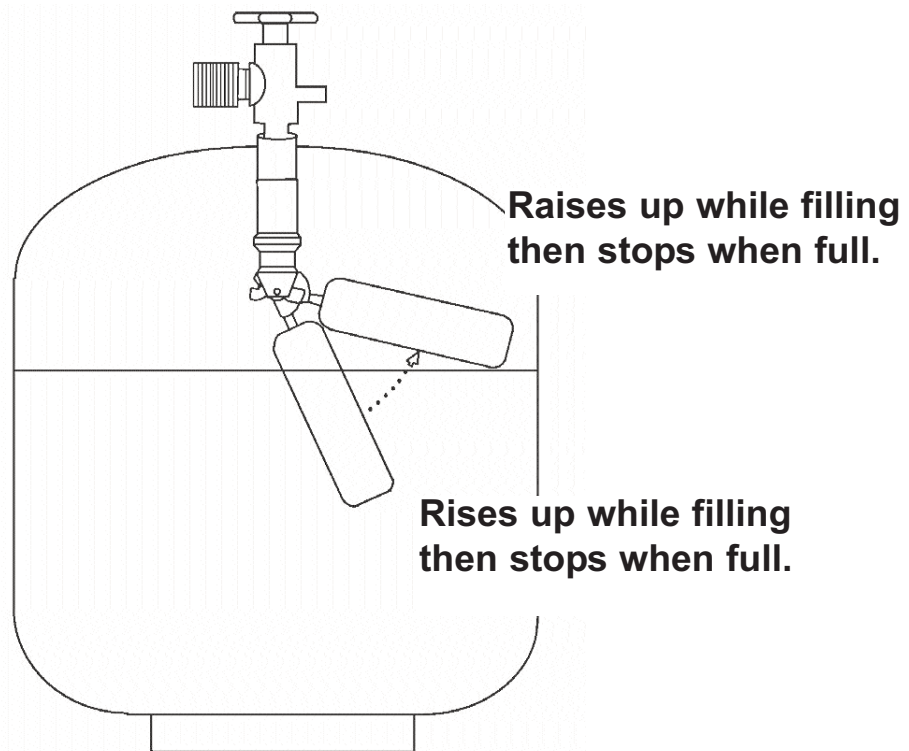
Although this sound may be alarming, this is NOT dangerous as long as it is not accompanied by the smell of gas. Simply adjust the burner settings and usually the sound will subside. If the humming sound persists, a change in atmospheric conditions will eventually stop the vibration. Should you smell gas, do not use the grill and call Customer Service at 1-800-251-7558

If your problem is not resolved from the information provided above, please call Customer Service at 1-800-251-7558. If you need a replacement part under warranty, a proof of purchase and your model/serial number will be necessary.

IMPORTANT NOTICE

This Gas Grill must be used with a LP Gas Cylinder equipped with an OPD (Overfill Prevention Device).

This is a secondary device to prevent the overfill of your LP Gas cylinder. The proper methods for the filling of your LP Gas cylinder are by weight or volume, as described in NFPA 58. Please make sure your filling station fills your LP Gas cylinder by weight or volume. Ask your filling station to read purging and filling instructions on the LP cylinder before attempting to fill.



! WARNING

Do not exchange the LP Gas cylinder unless the exchange LP cylinder is equipped with an OPD. Otherwise you will lose the OPD (Overfill Prevention Device) feature. If there is not an LP cylinder available for exchange equipped with an OPD, we recommend that you have your cylinder filled at an authorized LP gas dealer by a qualified attendant.

This page intentionally left blank.

MECO CORPORATION
LIMITED WARRANTY

This product is warranted to the original consumer purchaser against defects in material and workmanship under normal outdoor household use and correct assembly (if assembled by the consumer-purchaser). This grill is warranted for a period of one (1) year from the date of purchase. MECO Corporation DOES NOT warrant in any way the propane cylinder (see label on cylinder for cylinder manufacturer's warranty.) The LP cylinder manufacturer is responsible for the materials, workmanship and performance of the cylinder. If the cylinder has a defect, malfunctions, or you have a question regarding the cylinder, call the cylinder manufacturer's customer service center. The phone number is on the cylinder. If the cylinder manufacturer has not resolved the issue to your satisfaction, then call MECO Corporation at the customer service number listed below.

MECO Corporation requires proof of purchase and we suggest you keep your receipt. Damages caused by commercial or institutional use, accidental or intentional damage, repairs made or attempted by unauthorized persons, or misuse are not covered by this warranty. If defective, the part or product will be repaired or replaced at the option of MECO Corporation without charge.

This warranty does not include the cost of any inconvenience or property damage due to failure of the product and does not cover damage due to misuse, abuse, accident, damage arising out of transportation of the product, damage incurred through commercial use, or failure to perform normal and routine maintenance. LIABILITY FOR CONSEQUENTIAL PROPERTY OR COMMERCIAL DAMAGES ARE EXPRESSLY EXCLUDED BY THIS WARRANTY. ANY APPLICABLE IMPLIED WARRANTIES OF MERCHANTABILITY AND FITNESS ARE LIMITED IN DURATION TO THE PERIOD COVERAGE OF THIS EXPRESS WRITTEN LIMITED WARRANTY. Some states do not allow limitation on how long an implied warranty lasts, so this limitation may not apply to you.

Deterioration or damage due to severe weather conditions such as hail, hurricanes, earthquakes or tornados, discoloration due to exposure to chemicals either directly or in the atmosphere, is not covered by this limited warranty.

No returns will be accepted without prior authorization from MECO Corporation. Authorization for return may be obtained by calling 1-800-251-7558. Handling and transportation costs for returning the product are not covered by this warranty and will be paid for by the purchaser. Please send your correspondence to:

MECO Corporation
1500 Industrial Road
Greeneville, TN 37745

For reference and correspondence,
record your Serial number here.
(See nameplate on grill.)

Serial No. _____
Please use this number in registering
your warranty and any correspondence
with MECO Corporation.

P/N 03.6907.10
REV. 20090114

Free Manuals Download Website

<http://myh66.com>

<http://usermanuals.us>

<http://www.somanuals.com>

<http://www.4manuals.cc>

<http://www.manual-lib.com>

<http://www.404manual.com>

<http://www.luxmanual.com>

<http://aubethermostatmanual.com>

Golf course search by state

<http://golfingnear.com>

Email search by domain

<http://emailbydomain.com>

Auto manuals search

<http://auto.somanuals.com>

TV manuals search

<http://tv.somanuals.com>