

## READ AND SAVE THESE INSTRUCTIONS

**WARNING:** A risk of fire and electrical shock exists in all electrical appliances and may cause personal injury or death. Please follow all safety instructions.

# Coffeemaker with Charcoal Water Filter

USE AND CARE GUIDE FOR  
MODEL MECFIOT



# IMPORTANT SAFEGUARDS

When using electrical appliances, basic safety precautions should always be followed to reduce the risk of fire, electric shock and injury to persons, including the following:

- Read all instructions before using appliance.
- Do not touch hot surfaces. Use handles or knobs.
- Do not immerse cord, plug or coffeemaker unit in water or other liquid. See instructions for cleaning.
- This appliance is not for use by children.
- Close supervision is necessary when any appliance is used near children.
- Unplug from outlet when not in use. Unplug and allow to cool before attaching or removing parts and before cleaning the appliance.
- To disconnect, switch OFF, then remove plug from power supply.
- Do not let cord hang over edge of table or counter or touch hot surfaces.
- Do not place on or near a hot gas or electric burner or in a heated oven.
- Only use appliance as indicated in these instructions.
- Carafe must never be used on a range top. Use only the designated carafe for your coffeemaker.
- Do not use a carafe having a loose or weakened handle or a cracked carafe.
- Do not remove filter basket or lids during brewing cycle, scalding may occur.
- Allow filter basket to cool before removing it from coffeemaker.
- Do not pour liquid other than water and the cleaning solution specified in this manual into the water chamber (see instructions for cleaning).
- Do not move entire unit when carafe contains hot liquid.
- Do not operate any damaged appliance. Do not operate with a damaged cord or plug, or after the appliance malfunctions or has been dropped or damaged in any manner. Return appliance to the nearest authorized service center for examination, repair, electrical or mechanical adjustment.
- Use attachments only if recommended by manufacturer.
- Be certain lids are securely in place before operating appliance.
- Do not use outdoors or while standing in a damp area.
- Coffeemaker must be left to cool down for approximately 10 minutes before adding more water.
- **WARNING:** Do not remove bottom cover. No user serviceable parts inside. Repair must be done by authorized service personnel only.

# SAVE THESE INSTRUCTIONS

## THIS APPLIANCE IS FOR HOUSEHOLD USE ONLY

**CAUTION:** A short power supply cord is provided to reduce the risk of personal injury resulting from becoming entangled in or tripping over a longer cord. Extension cords are available from local hardware stores and may be used if care is exercised in their use. If an extension cord is required, special care and caution is necessary. Also the cord must be: (1) marked with an electrical rating of 125 V and at least 13A., 1625 W., and (2) the cord must be arranged so that it will not drape over the countertop or tabletop where it can be pulled on by children or tripped over accidentally.

**POLARIZED PLUG:** This appliance has a polarized plug, (one blade is wider than the other). As a safety feature to reduce the risk of electrical shock, this plug is intended to fit in a polarized outlet only one way. If the plug does not fit fully in the outlet, reverse the plug. If it still does not fit, contact a qualified electrician. Do not attempt to defeat this safety feature.

**ELECTRIC POWER:** If the electric circuit is overloaded with other appliances, your appliance may not operate properly. It should be operated on a separate electrical circuit from other appliances.

COFFEEMAKER

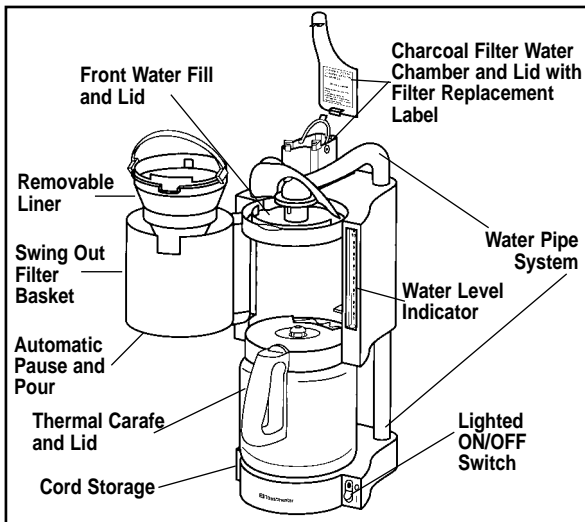


FIGURE 1

CHARCOAL FILTRATION SYSTEM

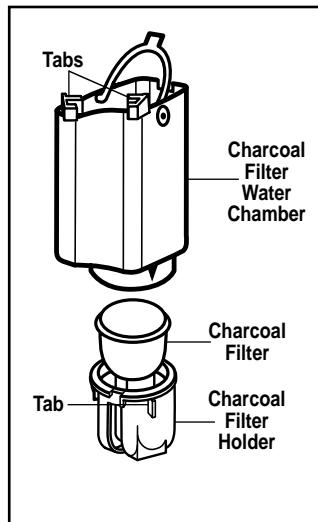


FIGURE 2

# Before Using Your Coffeemaker

**Caution:** Unplug from outlet. Turn switch to off position **O**.

Important: Never place the thermal carafe on a hot stove or in a microwave. Avoid extreme temperature changes from hot to cold or vice versa in the thermal carafe. That is, do not fill the carafe with cold water when it is still hot. Never put your hand into the thermal glass carafe nor let it stand in water. Do not unscrew the carafe.

Become familiar with parts of the unit; see figures 1 and 2. The illustrations in this guide are for information purposes only. You may find your coffeemaker looks different; however, the steps for operation are the same.

Follow instructions for cleaning. See "CARE AND CLEANING." Insert charcoal water filter; see "WATER FILTER." Fill the coffeemaker with the maximum amount of water and turn the unit on. Follow procedures for "BREWING" (without coffee). Unplug coffeemaker and discard the water. Wait 10 minutes to allow heating elements to cool. Repeat the process one more time.

**Caution:** Do not immerse cord, plug, coffeemaker unit or thermal carafe and lid in water or other liquid.

## Water Filter

This unit features an optional charcoal water filter to provide optimum taste and removal of most of the chlorine from tap water, along with other metals and particles often found in tap water. To insert the charcoal filter, remove the lid of the water chamber. Take the water chamber by the handle and lift directly up and out. Turn filter holder counter clockwise until it releases. Place charcoal filter in water filter holder, aligning arrow on chamber with tab on holder. Push up and turn clockwise, (see figure 2). Reposition chamber in coffeemaker aligning tabs on chamber and grooves in coffeemaker; replace lid. The water will be filtered when poured either directly through the water chamber or through the frontal water fill. Filters should be replaced either after 60 uses or 6 weeks (whichever occurs first) and can be ordered directly from the Consumer Relations Department by calling toll-free 1-800-947-3744 or 1-800-947-3745.

# Water Filter (*Continued*)

Each charcoal water filter comes with a set of monthly stickers to attach to the label located on the water chamber lid. Write day next to month; this will allow you to keep track when you started using the water filter. Do not attempt to clean the filter.

If you use spring or bottled water or your water contains only a small amount of chlorine, you may not notice a difference in the taste of your coffee when using the filter.

## Brewing

1. Make sure unit is in the OFF position **O**, (top of switch pushed in). The indicator light will be off.
2. Plug into 120 V ~ 60 Hz outlet.
3. Lift up the hinged water fill lid located at the front of unit and slowly add cold water to desired level using the water level indicator (between 3-10 cups). Brewing less than 3 cups or 15 ounces is not recommended. You may also pour water directly into the charcoal filter chamber. Both filling methods allow water to pass through the charcoal water filter.
4. For optimal holding temperature, rinse the inside of thermal carafe with warm water before brewing; empty and screw lid on tightly. Place carafe securely onto coffeemaker.
5. Open swing out filter basket. Insert a #4 cone-shaped paper filter into removable liner and add coffee grounds. Return basket to closed position; it will click into place. Use approximately 1 measuring spoon of grounds for every cup of coffee.
6. Press bottom of switch to ON position **I**. The indicator light will turn on.

**IMPORTANT:** Pipes become hot during use.

7. If you wish to serve a cup of coffee before brew cycle is complete, "pause and pour," simply remove carafe. Dripping will automatically cease. Return carafe securely back onto unit within 30 seconds; dripping will resume.

**Note:** If the carafe is not returned to the coffeemaker, the coffee will overflow from the filter basket.

8. The coffeemaker will switch off automatically approximately 15 minutes after turning the unit on.
9. To serve, carefully remove thermal carafe and loosen lid by turning it counter-clockwise. The indication dot should be in the front position to pour coffee. Tighten lid after serving.
10. Unplug and allow to cool for 10 minutes between cycles.

# Brewing (*Continued*)

**IMPORTANT:** If not allowed to cool before immediate repeated use, water placed in water chamber may become overheated. A spray of steam could be released from openings, creating a risk of burns.

## Helpful Hints for Brewing

- The markings on the water level indicator reflect the quantity of fresh water. The quantity of brewed coffee is less because the coffee grounds absorb water.
- The carafe will keep coffee warm longer if it is completely full. If the carafe is only half full, the hot coffee will cool down faster.
- Rinse the inside of the carafe with cool water, then fill with precooled iced drink.
- Tea leaves may be placed in the filter if you wish to make hot tea instead of coffee.
- Never use hot or carbonated water. This will damage the appliance.
- Never pour milk, liquid coffee, tea, etc. into the water chamber.

## Care and Cleaning

1. Make sure coffeemaker is in the OFF position **O** (top of switch pushed in); the indicator light will be off.
2. Unplug and allow to cool completely before cleaning.
3. Open swing out filter basket and use handle to lift out removable liner. Discard coffee grounds and paper filter. Do not immerse thermal lid and carafe. Wash inside of carafe with warm sudsy water, rinse and dry. Wash and dry remaining removable parts, (except charcoal filter). Replace liner by fitting notch and handle in groove of filter basket. Do not use cleaning agents or wire bottle brushes to clean the inside of the thermal carafe. Mineral deposits can be removed from the coffeemaker and the carafe by following the “DESCALING” instructions.
4. Clean the outside of the coffeemaker with a damp cloth.

**CAUTION:** DO NOT IMMERSE CORD, PLUG OR COFFEEMAKER UNIT OR THERMAL LID AND CARAFE IN WATER OR OTHER LIQUID.

The life of your coffeemaker will be longer if you replace the charcoal filter as recommended, after 60 uses or 6 weeks.

# Care and Cleaning (*Continued*)

## Descaling

We recommend you deep clean your coffeemaker once a month since mineral deposits from tap water can form a coating in the coffeemaker, causing slower brewing time and possibly an off flavor in the coffee. To deep clean your coffeemaker:

1. Remove charcoal filtration system, (water chamber, filter holder, and filter).
2. Pour 8 ounces of vinegar into the water chamber, and add cold water up to the 10-cup mark.
3. Place a clean paper filter in the filter basket and close.
4. Follow "BREWING" instructions (without coffee).
5. When the unit cycles off, wait 15 minutes and pour solution back into coffeemaker. Be sure that basket is still in proper position.
6. Turn unit on again. Allow all solution to empty into carafe; coffeemaker will shut-off. After dripping stops, discard solution.
7. Allow coffeemaker to cool 10 minutes. Rinse it out by replacing charcoal filtration system and brewing a carafe full of water (without coffee). Make sure to insert a fresh paper filter before brewing.
8. At end of cycle, discard water and paper filter. Wash and dry all removable parts; see "CARE AND CLEANING."
9. When coffeemaker has cooled, wipe exterior with a damp cloth.

**Any servicing requiring disassembly other than the above cleaning must be performed by an authorized service center.**

# NOTES



# NOTES

## IMPORTANT NOTICE

*If any parts are missing or defective,*

**DO NOT** *return this product.*

*Please call our Customer Service Department for assistance.*

**800-233-9054** *Monday - Friday 9:00 am - 5:00 pm CST*

*Thank You*

# LIMITED ONE YEAR WARRANTY

**Warranty:** This Melitta product is warranted by Salton, Inc. to be free from defects in materials or workmanship for a period of (1) year from the original purchase date. This product warranty covers only the original consumer purchaser of the product.

**Warranty Coverage:** This warranty is void if the product has been damaged by accident in shipment, unreasonable use, misuse, neglect, improper service, commercial use, repairs by unauthorized personnel, normal wear and tear, improper assembly, installation or maintenance abuse or other causes not arising out of defects in materials or workmanship. This warranty is effective only if the product is purchased and operated in the USA, and does not extend to any units which have been used in violation of written instructions furnished with the product or to units which have been altered or modified or to damage to products or parts thereof which have had the serial number removed, altered, defaced or rendered illegible.

**Implied Warranties:** ANY IMPLIED WARRANTIES WHICH THE PURCHASER MAY HAVE ARE LIMITED IN DURATION TO ONE (1) YEAR FROM THE DATE OF PURCHASE. Some states do not allow limitations on how long an implied warranty lasts, so the above limitation may not apply to you.

**Warranty Performance:** During the above one-year warranty period, a product with a defect will be either repaired or replaced with a reconditioned comparable model (at our option) when the product is returned to the Repair Center, or the purchase price refunded. The repaired or replacement product will be in warranty for the balance of the one-year warranty period and an additional one-month period. No charge will be made for such repair or replacement.

**Service and Repair:** Should the appliance malfunction, you should first call toll-free 1 (800) 233-9054 between the hours of 9:00 am and 5:00 pm Central Standard Time and ask for CONSUMER SERVICE stating that you are a consumer with a problem. Please refer to model number MECF10T when you call.

**In-Warranty Service (USA):** For an appliance covered under the warranty period, no charge is made for service or postage. Call for return authorization (1 800 233-9054).

**Out-of Warranty Service:** A flat rate charge by model is made for out-of-warranty service. Include \$ 15.00 (U.S.) for return shipping and handling. We will notify you by mail of the amount of the charge for service and require you to pay in advance for the repair or replacement.

**For Products Purchased in the USA, but Used in Canada:** You may return the product insured, packaged with sufficient protection, and postage and insurance prepaid to the USA address listed below. Please note that all customs duty / brokerage fees, if any, must be paid by you and we will require you to pay the cost of customs duty / brokerage fees to us in advance of our performing any service.

**Risk During Shipment:** We cannot assume responsibility for loss or damage during incoming shipment. For your protection, carefully package the product for shipment and insure it with the carrier. Be sure to enclose the following items with your appliance: any accessories related to your problem, your full return address and daytime phone number, a note describing the problem you experienced, a copy of your sales receipt or other proof of purchase to determine warranty status. C.O.D. shipments cannot be accepted.

**To return the appliance, ship to:**

Attn: Repair Center  
Salton, Inc.  
708 South Missouri Street  
Macon, MO 63552  
Email: Salton@Saltonusa.com

**To contact us,** please write to,  
call, or email:

Salton, Inc.  
P.O. Box 6916  
Columbia, MO 65205-6916  
1(800) 233-9054

**Limitation of Remedies:** No representative or person is authorized to assume for Salton, Inc. any other liability in connection with the sale of our products. There shall be no claims for defects or failure of performance or product failure under any theory of tort, contract or commercial law including, but not limited to negligence, gross negligence, strict liability, breach of warranty and breach of contract. Repair, replacement or refund shall be the sole remedy of the purchaser under this warranty, and **in no event shall Salton be liable for any incidental or consequential damages, losses or expenses.** Some states do not allow the exclusion or limitation of incidental or consequential damages, so the above limitation or exclusion may not apply to you.

**Legal Rights:** This warranty gives you specific legal rights, and you may also have other rights which vary from state to state.

For more information on Salton products:  
Visit our website: [www.salton-maxim.com](http://www.salton-maxim.com)

## LIRE ET CONSERVER CES INSTRUCTIONS

**AVERTISSEMENT** : Tout appareil électrique présente un risque d'incendie et de chocs électriques, pouvant provoquer des blessures graves ou mortelles. Veuillez observer toutes les mesures de sécurité.

# Cafetière avec filtre à eau au charbon de bois

**GUIDE D'UTILISATION ET  
D'ENTRETIEN POUR  
MODELE MECFIOT**



# IMPORTANTES MESURES DE SECURITE

Afin de réduire les risques d'incendie, de chocs électriques et de blessures pendant l'utilisation de tout appareil électroménager, toujours observer les précautions élémentaires de sécurité, y compris les suivantes :

- Lire toutes les instructions avant d'utiliser l'appareil.
- Ne pas toucher aux surfaces chaudes, utiliser plutôt les poignées.
- Ne pas immerger le cordon, la fiche ou la cafetière. Se référer aux instructions pour le nettoyage.
- Cet appareil ne doit pas être utilisé par des enfants.
- Se montrer particulièrement vigilant lorsqu'un appareil électroménager est utilisé à proximité d'enfants.
- Débrancher l'appareil lorsqu'il n'est pas en fonction., le laisser refroidir avant de monter ou démonter des pièces et avant de le nettoyer.
- Pour mettre l'appareil hors tension, appuyer sur le bouton d'arrêt (OFF), puis retirer la fiche de la prise de courant.
- Ne pas laisser le cordon pendre du bord d'une table ou d'un comptoir, ni le laisser toucher des surfaces chaudes.
- Ne pas placer l'appareil sur ou près d'une cuisinière à gaz ou électrique, ni dans un four chaud.
- N'utiliser cet appareil que conformément aux instructions données dans ce guide.
- La carafe ne doit jamais être utilisée sur un rond de cuisinière. N'utiliser que la carafe appropriée pour votre cafetière.
- Ne pas utiliser de carafe fêlée ou si la poignée n'est pas solide ou a été desserrée.
- Ne pas retirer le panier à filtre ou les couvercles pendant le cycle d'infusion, pour éviter de vous ébouillanter.
- Laisser le panier à filtre refroidir avant de le retirer de la cafetière.
- Ne pas verser aucun liquide dans le réservoir autre que de l'eau ou de la solution de nettoyage spécifiée dans ce manuel (voir les instructions de nettoyage).
- Ne pas déplacer l'appareil lorsque la carafe contient du liquide chaud.

- Ne jamais faire fonctionner un appareil endommagé. Ne jamais faire fonctionner un appareil dont le cordon ou la fiche est endommagé, ou un appareil qui ne fonctionne pas correctement, qui est tombé ou a été endommagé d'une manière quelconque. Envoyer l'appareil au centre de réparation agréé le plus proche pour qu'il soit examiné, réparé ou réglé, soit électriquement, soit mécaniquement.
- N'utiliser que les accessoires recommandés par le fabricant.
- S'assurer que les couvercles sont bien en place avant d'utiliser l'appareil.
- Ne pas utiliser l'appareil à l'extérieur, ni dans un endroit humide.
- Laisser la cafetière refroidir environ 10 minutes avant de rajouter de l'eau.
- **AVERTISSEMENT** : Ne pas retirer le couvercle inférieur. Aucune des pièces se trouvant à l'intérieur n'est réparable par l'utilisateur. Les réparations doivent être confiées exclusivement à un personnel d'entretien agréé.

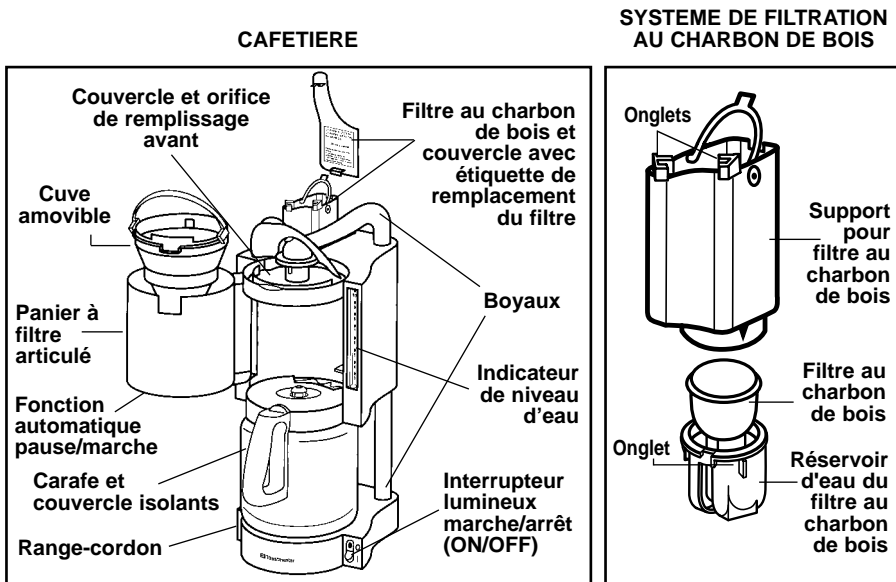
# CONSERVER CES INSTRUCTIONS

## CET APPAREIL EST RESERVE A UN USAGE DOMESTIQUE

**ATTENTION** : Le cordon d'alimentation fourni est court afin de réduire les risques de blessures attribuables à l'emmêlement du cordon ou à tout accrochage dans un fil trop long. Vous pouvez utiliser des rallonges disponibles dans les quincailleries locales, en prenant les précautions qui s'imposent. Si une rallonge est nécessaire, veuillez faire très attention lors de son utilisation. De plus, le cordon d'alimentation doit : (1) présenter des caractéristiques nominales d'au moins 13 A., 125 V. ~, 1625 W et (2) être disposé de façon à ne pas retomber d'un comptoir ou de la table où des enfants pourraient tirer ou trébucher dessus par mégarde.

**FICHE POLARISEE** : Cet appareil est équipé d'une fiche polarisée (l'une des lames est plus large que l'autre). Cette précaution est destinée à réduire les risques de chocs électriques; la fiche ne peut être branchée dans une prise que dans un sens. Si la fiche ne peut pas être insérée à fond dans la prise, inversez-la. Si elle ne peut toujours pas être branchée, contacter un électricien qualifié. Ne pas essayer de modifier ce dispositif de sécurité.

**ALIMENTATION ELECTRIQUE** : Si le circuit électrique est surchargé par d'autres appareils, l'appareil peut ne pas fonctionner correctement. Dans la mesure du possible, il doit être branché sur un circuit électrique séparé des autres appareils.





# Avant d'utiliser votre cafetière

**Attention** : Débrancher l'appareil de la prise de courant. Mettre l'interrupteur à la position "O" (arrêt).

Important : Ne jamais placer la carafe isolante sur un four chaud ou dans un micro-ondes. Éviter les changements de températures extrêmes dans la carafe isolante. Par exemple, ne pas mettre d'eau froide dans la carafe lorsqu'elle est encore chaude. Ne jamais mettre vos mains dans la carafe isolante en verre, ni la laisser tremper dans l'eau. Ne pas dévisser la carafe.

Familiarisez-vous avec les différentes parties de l'appareil, voir les figures 1 et 2. Les illustrations dans ce guide sont à titre informatif uniquement. Il se peut que votre cafetière soit différente des modèles illustrés, cependant le fonctionnement est le même.

Se référer aux instructions pour le nettoyage. Voir "ENTRETIEN ET NETTOYAGE" Insérer le filtre à eau au charbon de bois, voir "FILTRE A EAU". Remplir la cafetière jusqu'à la quantité maximale d'eau et mettre l'appareil en marche. Suivre les procédures pour "L'INFUSION" (sans café) Débrancher la cafetière et jeter l'eau. Laisser les éléments chauffants refroidir pendant 10 minutes. Répéter l'opération une autre fois.

Attention : Ne pas immerger le cordon, la fiche, l'appareil, la carafe isolante et le couvercle.

## Filtre à eau

Cet appareil est équipé d'un filtre à eau au charbon de bois optionnel afin de donner au café le meilleur goût qui soit et d'enlever le maximum de chlore, autres métaux et particules qui proviennent de l'eau du robinet. Pour mettre le filtre au charbon de bois, enlever le couvercle du réservoir d'eau.

Chaque filtre à eau au charbon de bois est muni d'autocollants mensuels à apposer sur le couvercle du réservoir d'eau. Ecrire la date afin de vous aider à faire un compte-rendu lorsque vous commencez à utiliser le filtre à eau. Ne pas essayer de nettoyer le filtre.

Lorsque vous utilisez le filtre et que vous utilisez de l'eau en bouteille ou de l'eau de source; ou que votre eau ne contienne qu'une petite quantité de chlore, il est possible que vous ne remarquiez aucune différence dans le goût de votre café.

## Infusion

1. S'assurer que l'appareil est à la position d'arrêt "O". L'interrupteur lumineux s'éteindra.
2. Brancher l'appareil dans une prise de 120 V ~ 60 Hz.
3. Soulever le couvercle du filtre à eau articulé situé à l'avant de l'appareil et ajouter lentement de l'eau froide au niveau désiré en se servant de l'indicateur de niveau d'eau (entre 3 et 10 tasses). Il est déconseillé de préparer moins de trois tasses de café (500 ml). Vous pouvez aussi ajouter de l'eau directement dans le réservoir du filtre à eau au charbon. Les deux méthodes de remplissage permettent à l'eau de passer dans le filtre au charbon.
4. Pour garder au chaud plus longtemps, rincer l'intérieur de la carafe isolante avec de l'eau chaude avant l'infusion; fermer et visser le couvercle. Placer la carafe solidement sur la cafetière.
5. Ouvrir le panier à filtre articulé. Placer un filtre en papier conique n° 4 dans le panier et versez-y le café moulu. Remettre le panier à filtre en position fermée, le déclic signifiera qu'il est bien en place. Utiliser environ une cuillère à mesurer pour chaque tasse de café.
6. Mettre l'interrupteur à la position de marche "I". Le témoin lumineux s'allumera.

**IMPORTANT** : Les boyaux deviennent chauds pendant l'utilisation.

## Infusion (*suite*)

7. Pour servir une tasse de café avant la fin du cycle d'infusion, il suffit de retirer la carafe en se servant de la fonction "pause and pour". Le café cesse automatiquement de s'écouler. Remettre la carafe sur la cafetière dans les 30 secondes et l'infusion reprendra.

**Remarque :** Si vous ne remettez pas la carafe sur la cafetière, le café débordera du panier filtre.

8. La cafetière s'éteindra automatiquement environ 15 minutes après l'avoir mise en marche.
9. Pour servir, enlever avec précautions la carafe isolante et dévisser le couvercle en tournant dans le sens contraire des aiguilles d'une montre. Le point d'indication devrait être à l'avant pour verser le café. Resserrer le couvercle après usage.
10. Débrancher la cafetière et laissez-la refroidir pendant 10 minutes entre chaque cycle d'infusion de café.

**IMPORTANT :** Si la cafetière n'a pas le temps de refroidir avant d'infuser une autre carafe de café, l'eau du réservoir risque de surchauffer. Un jet de vapeur peut s'échapper des ouvertures causer des risques de brûlures.

## CONSEILS UTILES POUR L'INFUSION DU CAFE

- Les marques sur l'indicateur de niveau d'eau reflètent la quantité d'eau fraîche. La quantité de café produite ensuite est inférieure parce que les grains de café absorbent l'eau.
- Plus la carafe est pleine de café, plus longtemps il restera chaud. Si la carafe est à moitié pleine, le café chaud refroidira plus vite.
- Rincer l'intérieur de la carafe avec de l'eau froide, puis la remplir avec du liquide déjà refroidi.
- Vous pouvez placer des feuilles de thé dans le filtre si vous désirez faire du thé chaud à la place du café.
- Ne jamais utiliser d'eau chaude ou d'eau gazéifiée, cela pourrait endommager l'appareil.
- Ne jamais verser de lait, de café liquide, de thé, etc. dans le réservoir d'eau.

# Entretien et nettoyage

1. S'assurer que la cafetière est à la position d'arrêt "O".
2. Débrancher l'appareil et le laisser refroidir complètement avant de le nettoyer.
3. Ouvrir le panier à filtre articulé et utiliser les poignées afin de lever la cuve amovible. Enlever les grains de café et le papier filtre. Ne pas immerger la carafe et le couvercle isolant. Laver l'intérieur de la carafe avec de l'eau chaude savonneuse, rincer et sécher. Laver et sécher toutes les parties amovibles restantes, (sauf le filtre au charbon de bois). Replacer la cuve en insérant l'encoche et la poignée dans la rainure du panier à filtre. Ne pas utiliser d'agents nettoyants ou de rince-bouteilles métalliques pour nettoyer l'intérieur de la carafe isolante. Les dépôts de minéraux peuvent être enlevés de la carafe en suivant les instructions de "DETARTRAGE"
4. Laver l'extérieur de la cafetière avec un linge humide.

**ATTENTION : NE PAS IMMERGER LE CORDON, LA FICHE, LA CAFETIERE, LA CARAFE OU LE COUVERCLE ISOLANT.**

Vous conserverez plus longtemps votre cafetière si vous remplacez le filtre au charbon de bois à tous les 60 utilisations ou 6 semaines.

## Détartrage

Il est recommandé de laver à fond votre cafetière une fois par mois, car les dépôts de minéraux provenant de l'eau du robinet peuvent former une accumulation dans la cafetière pouvant causer un cycle d'infusion plus lent et donner possiblement un goût indésirable au café. Afin de nettoyer à fond votre cafetière :

1. Retirer le système de filtration au charbon de bois (réservoir d'eau, support pour filtre et filtre).
2. Verser 250 ml de vinaigre dans le réservoir d'eau et ajouter de l'eau froide jusqu'à la marque des 10 tasses.

5. Lorsque le cycle se termine, attendre 15 minutes et verser la solution dans la cafetière. S'assurer que le panier est toujours propre.
6. Mettre la cafetière en marche à nouveau. Laisser toute la solution se vider dans la carafe, la cafetière s'éteindra. Lorsque le liquide a terminé de couler, enlever la solution.
7. Laissez refroidir la cafetière 10 minutes. Rincer à l'eau en remplaçant le système de filtration au charbon de bois et faire infuser une carafe pleine d'eau (sans café). S'assurer de bien insérer un filtre neuf avant de commencer l'infusion.
8. Après le cycle d'infusion, enlever l'eau et le papier filtre. Laver et essuyer toutes les parties amovibles, voir "ENTRETIEN ET NETTOYAGE".
9. Une fois la cafetière refroidie, essuyer l'extérieur à l'aide d'un linge humide.

**Hormis les opérations de nettoyage ci-dessus, tout entretien ou réglage exigeant un démontage doit être confié à un centre de réparations agréé.**

# NOTES

# NOTES

## REMARQUE IMPORTANTE

*Si un élément est manquant ou défectueux,  
**NE RENVOYEZ PAS** ce produit.*

*Veillez appeler notre Service Clientèle pour  
obtenir de l'aide.*

*au **800-233-9054** du lundi au vendredi de  
9h00 à 17h00 Heure du Centre*

*Nous vous en remercions*



# GARANTIE LIMITEE D'UN AN

**Garantie :** Ce produit Melitta est garanti par Salton, Inc. contre les défauts de matériaux et de fabrication pour une période de (1) an à compter de la date d'achat d'origine. La garantie de ce produit couvre uniquement l'acheteur initial du produit.

**Application de la Garantie :** Cette garantie sera considérée nulle si le produit a été endommagé par accident durant le transport, par un usage excessif, par usage abusif, suite à une négligence, une réparation non conforme, un usage commercial, des réparations entreprises par du personnel non agréé, l'usure normale, ainsi qu'à cause de l'usure, d'un assemblage non conforme, ou d'une installation ou de réparations négligentes, ou de tout autre cause ne relevant pas de défauts de matériaux ou de fabrication. Cette garantie est valable uniquement lorsque le produit a été acheté et utilisé aux Etats-Unis, elle ne s'applique pas aux appareils qui auraient été utilisés d'une manière non conforme aux instructions écrites stipulées, ni aux appareils ayant fait l'objet de modifications, ni aux produits ou à des pièces endommagés de la sorte, et dont le numéro de série a été retiré, modifié, effacé, ou rendu illisible.

**Garantie implicite :** TOUTE GARANTIE IMPLICITE EN LA POSSESSION DE L'ACHETEUR, EST LIMITEE A UNE DUREE DE UN (1) AN A PARTIR DE LA DATE D'ACHAT. Certains états n'autorisent pas les limitations de garantie concernant la durée d'une garantie implicite, en conséquence, les limitations mentionnées ci-dessus ne s'appliquent pas à tous les cas.

**Exécution de la Garantie :** Durant la période de garantie de un an mentionnée ci-dessus, tout produit défectueux sera soit réparé, soit remplacé par un modèle équivalent reconditionné (selon la décision de la société) lorsque le produit est réexpédié au centre SAV, soit remboursé du montant indiqué sur le ticket de caisse. Le produit réparé ou de remplacement sera garanti pour le restant de la période de garantie de un an, ainsi qu'une période d'un mois supplémentaire. Il ne sera prélevé aucun frais pour ce type de réparation ou de remplacement.

**Service après-vente et réparations :** Si l'appareil ne fonctionne pas correctement, veuillez tout d'abord appeler le numéro vert 1 (800) 233-9054 entre 9h00 et 17h00, Heure GMT - 6, et demander le SERVICE CLIENT, en indiquant que vous possédez un appareil défectueux. Veuillez mentionner le numéro de modèle MECF10T lors de votre appel.

**SAV sous garantie (USA) :** Il n'y a aucun frais de SAV et d'expédition pour un appareil sous garantie. Appeler afin d'obtenir l'autorisation de retour de l'appareil (1 (800) 233-9054.

**SAV hors garantie (USA) :** Des frais forfaitaires de SAV hors garantie sont établis en fonction du modèle. Ils comprennent la somme de 15,00 dollars américains pour couvrir les frais d'expédition et de manutention. Vous serez informé des frais de SAV par courrier. Ces frais doivent être réglés à l'avance dans le cas d'une réparation ou d'un produit de remplacement.

**Produits achetés aux Etats-Unis et utilisés au Canada :** Retourner le produit assuré, en veillant à ce qu'il soit correctement emballé, et en réglant auprès de nos services, les frais d'affranchissement et d'assurance à l'avance, à l'ordre de l'adresse aux Etats-Unis mentionnée ci-dessous. Veuillez noter que tous droits de douane/frais d'assurance sont à votre charge, et que vous devez vous acquitter des frais de droits de douane/ d'assurance à l'avance, auprès de nos services.

**Risques encourus durant le transport :** Nous ne sommes nullement responsables des pertes ou dégâts causés durant le transport jusqu'à notre établissement. Pour votre protection, nous vous conseillons d'emballer soigneusement le produit et de l'assurer auprès de l'établissement se chargeant de l'expédition. Veillez à bien inclure les éléments suivants : Tout accessoire lié au problème, votre adresse complète ainsi qu'un numéro de téléphone auquel on peut vous joindre pendant les heures ouvrables, une note décrivant le problème, une photocopie du ticket de caisse, ou toute autre preuve d'achat permettant de déterminer le statut de la garantie du produit. Les envois en contre-remboursement ne sont pas acceptés.

**Adresse de réexpédition de l'appareil :**

Attn : Repair Center  
Salton, Inc.  
708 South Missouri Street  
Macon, MO 63552

**Pour nous contacter,** veuillez nous faire parvenir un courrier ou nous appeler :

Salton, Inc.  
P.O. Box 6916  
Columbia, MO 65205-6916  
1(800) 233-9054  
Email : [Salton@Saltonusa.com](mailto:Salton@Saltonusa.com)

**Limitation du recours:** Aucun représentant ni personne n'est autorisé à prendre en charge toute responsabilité incombant à Salton, Inc., en relation avec la vente de nos produits. Les défauts, absences de fonctionnement, ou défaillances d'appareils, ne peuvent nullement faire l'objet de compensations suite à préjudice, contrat, ou loi commerciale, y compris, et non limitées à la négligence, la responsabilité stricte, une rupture de garantie, ou une rupture de contrat. Les réparations, remplacements ou remboursements constituent les uniques recours de l'acheteur selon les termes de la présente garantie. Salton ne peut en aucun cas être tenue responsable des dégâts, pertes, ou frais accidentels ou consécutifs. Certains états n'autorisent pas les exclusions ou limitations des dégâts accidentels ou consécutifs. En conséquences, les limitations ou exclusions mentionnées ci-dessus ne s'appliquent pas à tous les cas.

**Droits juridiques :** La présente garantie vous confère des droits juridiques spécifiques qui sont dans certains cas complétés par d'autres droits, en fonction des états.

Pour de plus amples informations concernant les produits Salton  
Visitez notre site web à : [www.salton-maxim.com](http://www.salton-maxim.com)

© 2001  
Tous droits réservés

N° de Pièce 60490  
Imprimé en Chine

## Free Manuals Download Website

<http://myh66.com>

<http://usermanuals.us>

<http://www.somanuals.com>

<http://www.4manuals.cc>

<http://www.manual-lib.com>

<http://www.404manual.com>

<http://www.luxmanual.com>

<http://aubethermostatmanual.com>

Golf course search by state

<http://golfingnear.com>

Email search by domain

<http://emailbydomain.com>

Auto manuals search

<http://auto.somanuals.com>

TV manuals search

<http://tv.somanuals.com>