

mellerware®

TRENDS FOR LIFE
ECLIPSE STAINLESS STEEL BLENDER



complies with
INTERNATIONAL
IEC60335
SAFETY SPECIFICATIONS

m
500W

2 YEAR
GUARANTEE

Model:
62002

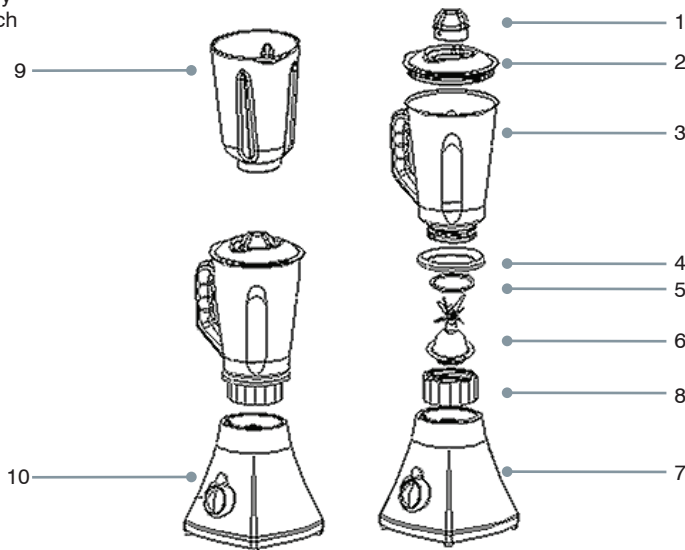
PLEASE READ ALL INSTRUCTIONS BEFORE USE

2 year guarantee



Parts & Contents

- 1) Measuring Cap
- 2) Lid
- 3) Jar
- 4) Ring
- 5) Sealing ring
- 6) Cutting blade
- 7) Cup base
- 8) Motor Base
- 9) Jar Assembly
- 10) Rotary switch



Important Safeguards

When using electrical appliances, basic safety precautions should always be followed, including the following:

1. Read all instructions before operating.
2. When using this appliance, use one hand to operate the switch and use the other hand to hold the blender stable. To hold the blender stable, place your free hand firmly on the lid and apply a downward force.
3. For protection against an electrical shock, do not immerse cord, plug or appliance in water or any other liquids.
4. Keep this appliance out of reach of children. Do not allow children to use this appliance unless properly supervised.
5. Switch off the appliance and disconnect it from the power supply before changing accessories or approaching parts that move during use.
6. Do not operate this appliance with a damaged cord or plug or after the appliance malfunctions or has been damaged in any manner. Return the appliance to the nearest authorized service facility for examination, repair or adjustment.
7. The use of accessory attachments not recommended by the appliance manufacturer may cause injuries.
8. Do not use this appliance outdoors.
9. Do not allow the cord to hang over edge of table or counter or come into contact with sharp or hot surfaces.
10. Do not place this appliance near a hot gas or electric burner, or in a heated oven.
11. Always ensure that the appliance switch is in the "0" position before inserting or removing



- the plug from the power supply outlet, or to insert or remove the glass jar and/or lid.
- This appliance is not intended for use by persons (including children) with reduced physical, sensory or mental capabilities, or lack of experience and knowledge, unless they have been given supervision or instruction concerning use of the appliance by a person responsible for their safety.

Before first use

All parts of the blender must be thoroughly cleaned before being used for the first time.

Assembling the Jar:

- Put the rubber sealing ring (5) on the inner edge of the blade unit (6).
- Put the blade unit with sealing ring into the cup base (7).
- Inset the ring (4) on the bottom of jar first, then insert the assembled cup base onto the bottom of the jar (3) and turn clockwise to secure firmly in place.
- Secure the Measuring Cap (1) onto the Lid (2).
- Secure the Lid onto the Glass Jar and push down lid to clip into place.

Inserting the Jar:

- Ensure that the blender is switched off (Switch must be in the "0" position).
- Place the jar assembly (9) on to the motor base (8) and press down until securely engaged.

Instructions for Use

- Insert the food contents you wish to process into the jar.
- Place the lid on the jar and close securely. Place the measuring cap into the hole in the lid and turn clockwise to lock in place.
- Place your free hand firmly on the lid and apply a downward force before switching on the appliance. The appliance is fitted with a safety switch and requires the jar to be secured to the motor base in order for the appliance to operate.
- Set the switch to desired/required position e.g. "M", "1", "2"

Speed setting Use	
"1"	for light usage with liquids
"2"	for more solid consistency – for mixing liquids and solid food contents
"0"	to stop operation
"M"	for ice crushing & short, powerful impulse movements

(The switch does not permanently engage in the 'PULSE' function. You have to hold the switch in the 'PULSE' ("M" position) or turn it repeatedly to the "M" position.)

WARNING: DO NOT LEAVE THE APPLIANCE UNATTENDED WHILE IN OPERATION.

After using the blender, always turn the switch to the "0" position and remove the plug for the power supply outlet.

To remove the glass jar simply remove it from the motor base. There is no need to rotate the glass jar to remove it.

Useful tips:

- To achieve the best results when processing solid ingredients, place small portions of the specific food content into the glass jar piece by piece, instead of placing a large quantity all at once.
- If you are processing solid ingredients, cut them into small pieces (2-3cm) first.
- When mixing/blending solid ingredients start off first with a small amount of food content. Gradually add more and more food content through the opening in the lid.
- Always place your hand on top of the blender when you are operating the appliance.
- For stirring solid or very thick liquid ingredients use the blender in "PULSE" mode ("M" position) to prevent the blades becoming clogged.

Motor Base:

Never immerse the motor base in water. Wipe it only with a soft, clean damp cloth. For simple cleaning/ rinsing of the assembled glass jar:

Empty the glass jar and fill it with clean water. Place the glass jar on the motor base and turn the switch several times to the "M" position. Empty the glass jar and rinse until clean.

WARNING: THE JAR OR ANY PART OF THE JAR ASSEMBLY IS NOT TO BE CLEANED USING A DISH WASHER. USE OF A DISH WASHER MAY RESULT IN DAMAGE OF THE APPLIANCE AND THE WARRANTY WILL BE VOID.

SAVE THESE INSTRUCTIONS.

THIS PRODUCT IS FOR HOUSEHOLD USE ONLY!





creative housewares

27 Nourse Avenue Epping 2 Cape Town
P.O. Box 975 Eppindust 7475 South Africa
Tel: +27 21 534 8114 Fax: +27 21 534 8086
Service Centre Share Call: 086 111 5006
web: www.creativehousewares.co.za



Free Manuals Download Website

<http://myh66.com>

<http://usermanuals.us>

<http://www.somanuals.com>

<http://www.4manuals.cc>

<http://www.manual-lib.com>

<http://www.404manual.com>

<http://www.luxmanual.com>

<http://aubethermostatmanual.com>

Golf course search by state

<http://golfingnear.com>

Email search by domain

<http://emailbydomain.com>

Auto manuals search

<http://auto.somanuals.com>

TV manuals search

<http://tv.somanuals.com>