



**mellerware®**

TRENDS FOR LIFE

**Sylvio  
Jug Blender**



complies with  
INTERNATIONAL  
IEC60335  
SAFETY SPECIFICATIONS

**m**  
4 5 0 W

2 YEAR  
GUARANTEE

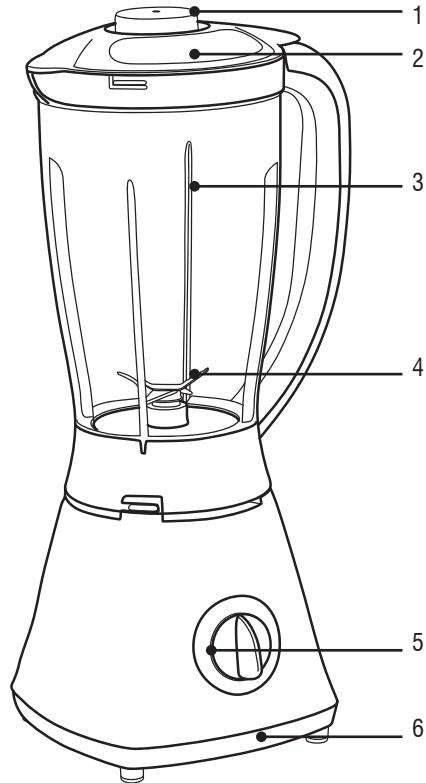
Model:  
6 2 2 0 0

**PLEASE READ ALL INSTRUCTIONS BEFORE USE**



**Description:**

1. Measuring cup
2. Jug lid
3. Jug
4. Stainless steel blades
5. 3 Speed with pulse function
6. Non-slip feet

**Safety instructions:**

When using electrical appliances, basic safety precautions should always be followed, including the following:

- Read all the instructions carefully before operating the appliance.
- To protect against electrical shock, do not immerse the appliance, its power cord or plug in water or any other liquid.
- Ensure that the appliance is placed out of reach of children. Never allow a child to use this appliance.
- Unplug the appliance when it is not in use and before undertaking any cleaning task.
- Do not operate any appliance with a damaged power cord or plug or after the appliance malfunctions or has been damaged in any manner. Return the appliance to the nearest authorized service centre.
- The use of accessories not recommended by the manufacturer may cause injuries.
- Do not use this appliance outdoors.
- Do not let the power cord hang over the edge of a table or counter or touch any hot surfaces.
- Do not place the appliance on or near a hot gas or electric burner, or in a heated oven.
- Always ensure that the appliance is switched off before plugging it into a wall socket. To disconnect, turn the speed control dial to the "0" (off) position, switch off at the wall socket and then remove the plug from the wall socket.
- This appliance is not intended for use by persons (including children) with reduced physical, sensory or mental capabilities, or lack of experience and knowledge, unless they have been given supervision or instruction concerning use of the appliance by a person responsible for their safety.
- Children should be supervised to ensure





- that they do not play with the appliance.
- Switch off the appliance and disconnect it from the wall socket before changing accessories.
  - To eliminate a choking hazard for young children, remove and safely discard the protective cover fitted to the plug and the appliance.
  - Handle the blender and its attachments with care – remember the blades are razor-sharp and should be kept out of the reach of children.
  - Ensure that the blender is completely assembled before operating. The blender will not operate unless it is properly assembled.
  - Do not attempt to operate the blender by any method other than those described in this instruction manual.
  - Always operate the blender with the blender jug lid in position.
  - Keep fingers, hands, knives and other utensils away from the moving blades.
  - Do not place hands or fingers into the blender jug unless the motor and blades have come to a complete stop. Ensure the speed selection dial is in the '0' position and the appliance is switched off at the wall socket and it is unplugged before removing the lid from the blender.
  - Ensure the motor and the blades have completely stopped before disassembling.
  - Ensure the speed selection dial is in the '0' position and that the appliance is switched off at the wall socket and that it is unplugged.

#### **Before first use:**

- Remove all the packaging and promotional material. All parts of the blender are to be thoroughly cleaned before being used.
- Always exercise extreme caution when cleaning inside the blender, the blades are very sharp.

#### **Assembling the jug:**

- Ensure that the blender is not plugged into the wall socket.
- Make sure that the blender is switched off (switch is in the '0' position).
- Place the jug onto the base, position the

- handle so it is at the 5 o'clock position and then turn it clock wise until it clicks into place. The jug handle should be in the 3 o'clock position.
- Insert the measuring cup into the lid and turn clockwise to lock.
  - Place the lid onto the jug, position it so that it is at the 5 o'clock position and then turn it clock wise until it clicks into position. The handle and the lid should be in the 3 o'clock position.

#### **Instructions for use:**

- Place the ingredients you wish to blend into the jug.
- Place the lid on the jug. Place the measuring cup into the hole in the lid and turn clockwise to lock.
- Place your hand on the lid and apply firm pressure before selecting the desired speed. The appliance is fitted with a safety switch and requires sufficient downward pressure for it to switch on.
- Turn the speed control dial to the desired setting. Use the "P" (pulse function) for complete control while blending. This function uses maximum power as long as you hold it in position.

#### **WARNING: NEVER LEAVE THE APPLIANCE ALONE WHILE IN OPERATION.**

- After using the blender, always move the switch into the '0' setting, switch it off at the wall socket and then remove the plug. To remove the jug simply rotate it anti-clockwise and lift it off the motor base.

#### **Useful tips:**

- To achieve the best results when pureeing solid ingredients, place small portions into the jug one by one instead of placing a large quantity inside all at once.
- If you are processing solid ingredients, cut them into small pieces (2-3cm) first.
- When mixing solid ingredients start off first with a small amount of liquid. Gradually add the solid ingredients and then more liquid through the opening in the lid.
- Always place your hand on top of the blender while it is in use.





### **Cleaning:**

#### **Motor base:**

- Never immerse the motor base in water. Only wipe it with a damp cloth.

#### **Blender jug:**

- Empty the jug and fill it with water. Place the jug on the motor base and turn the switch several times to the 'P' setting. Empty the jug and rinse until clean.
- Always exercise extreme caution when cleaning the inside the jug as the blades are sharp.

**WARNING:** THE JUG OR ANY PART OF THE JUG ASSEMBLY SHOULD NOT BE CLEANED USING A DISH WASHER. USE OF A DISH WASHER MAY RESULT IN DAMAGE AND WILL VOID THE WARRANTY.

### **Service:**

- Before returning your product for service or repair – check the following:
- Your household wall socket is working properly.
- The mains supply circuit is not overloaded.
- The instructions for use have been followed carefully.
- All safety switches are engaged when the blender is switched on.
- If service becomes necessary within the guarantee period the appliance should be returned to your nearest approved service centre.







creative housewares

🏠 20 Tekstiel Street, Parow, Cape Town, 7493, South Africa  
✉ P.O. Box 6156 Parow East, 7501, South Africa  
☎ +27 21 931 8117 📠 +27 21 931 4058  
Service Centre Helpline: 086 111 5006  
🌐 [www.creativehousewares.co.za](http://www.creativehousewares.co.za)



## Free Manuals Download Website

<http://myh66.com>

<http://usermanuals.us>

<http://www.somanuals.com>

<http://www.4manuals.cc>

<http://www.manual-lib.com>

<http://www.404manual.com>

<http://www.luxmanual.com>

<http://aubethermostatmanual.com>

Golf course search by state

<http://golfingnear.com>

Email search by domain

<http://emailbydomain.com>

Auto manuals search

<http://auto.somanuals.com>

TV manuals search

<http://tv.somanuals.com>