

mellerware®

TRENDS FOR LIFE

Robot Ultimate Stick Blender



complies with
INTERNATIONAL
IEC60335
SAFETY SPECIFICATIONS

m
300 W

CE
2 YEAR
GUARANTEE

Model:
85300

PLEASE READ ALL INSTRUCTIONS BEFORE USE

2 year guarantee

Important Safeguards

Before using the electrical appliance, the following basic precautions should always be followed:

1. Read all instructions.
2. Before using check that the voltage of wall outlet correspond to the one shown on the rating plate.
3. Do not operate any appliance with a damaged cord or plug or after the appliance malfunctions, or is dropped or damaged in any manner. Return appliance
4. to the nearest authorized service facility for examination, repair or electrical or mechanical adjustment.
5. If the supply cord is damaged it must be replaced by the manufacturer or a authorized service agent or a qualified technician in order to avoid a hazard.
6. Unplug from outlet when not in use, before putting on or taking off parts, and before cleaning.
7. Do not let cord hang over edge of table or hot surface.
8. Do not immerse upper part of blender into water as this would give rise to electric shock.
9. Close supervision is necessary when your appliance is being used near children or infirm persons.
10. Avoid contacting moving parts.
11. Keep hands and utensils out of container while blending to reduce the risk of severe injury to persons or damage to the blender.
12. A scraper may be used only when the blender is not running.
13. The appliance cannot be used for chopping ice or blending hard and dry substance, otherwise the blade could blunt.
14. To reduce the risk of injury, never place cutting blade on base without first putting bowl properly in place.
15. Be sure chopper lid is securely locked in place before operating appliance.
16. The use of accessory not recommended by the manufacturer may cause injuries to persons.
17. Do not operate the appliance for other than its intended use.
18. Do not use outdoors.

SAVE THESE INTRUCTIONS

Using Your Blender

Before the first use, clean the blender according to the section of "quick cleaning". The time running unit without load can't exceed 15 seconds.

Important: Blades are very sharp, handle with care Ensure that the hand-held stick blender is unplugged from the power outlet before assembling or removing attachments.

Instructions for blender

Max operation duration under high speed per time cannot exceed 1 minute, and 1 minute rest time must be maintained at two consecutivecycles.

1. To assemble the detachable shaft with the motor

- unit, turn the shaft in an anti-clockwise direction until tightened. To disassemble, just turn in the adverse direction.
2. Simply plug the hand-held blender to power outlet.
3. Lower the hand-held blender into food and depress the switch at the top of the motor unit.
4. To stop the hand-held blender release the switch at the top of the motor unit.

Instructions for chopper

1. Max operation duration under high speed per timecannot exceed 1 minute, and 1 minute rest time must be maintained at two consecutive cycles.
2. Place the chopper bowl on a clean, level surface.
3. Assemble the stainless steel blade into the chopper bowl, as shown in Fig.1.
4. Place food into the chopper bowl.
5. **Note: remove the bones from meat, cut into small pieces, then place into bowl, the max quantity of product can't exceed 200g with each blend.**
6. Attach the Lid onto the chopper bowl and turn it ina clockwise direction until it locks into position. (see Fig.2) To detach the lid, turn in adverse direction.
7. Insert the bottom part of the blender into the hole of the chopper lid, and turn in clockwise direction to lock. (See Fig.3)
8. Plug the appliance to power outlet and depress the switch to begin operation.
9. To stop the appliance release the switch at the top of the motor unit.

Caution:

- To reduce the risk of injury, never place cutting blade on base without first putting bowl properly in place.
- Be sure chopper lid is securely locked in place before operating appliance.

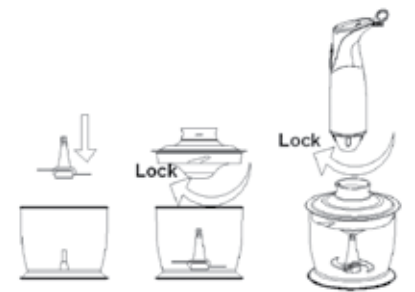


Fig.1

Fig.2

Fig.3

Instructions for beater

1. Max operation duration under high speed per time cannot exceed 3 minute, and 1 minute rest time must be maintained at two consecutive cycles.
2. To assemble the beater with the motor unit, turn the whisk anti-clockwise direction until tightened.
3. To disassemble, just turn in the adverse direction.

4. Simply plug the hand-held stick blender to power outlet.
5. Place product into the cup, generally, two eggs is enough.
6. Lower the hand-held stick blender into food and depress the switch at the top of the motor unit.
7. To stop the hand-held blender release the switch at the top of the motor unit.

Cleaning and Maintenance

1. Unplug the appliance and remove the detachable stem (accessory).

Note: Do not immerse the detachable stem of the blender in water because overtime the lubrication on the bearings may wash away. Wash he detachable stem under running water, without the use of abrasive cleaner or detergents. After finishing cleaning the detachable stem, place it upright so that any water which may have got in, can drain out. The stem is a dishwashing safe component.



1. Wash the cup, chopping bowl, beater and blade in warm soapy water. The bowl and the beater are not recommend to place in dishwashing machine as the plastic components can deteriorate through prolonged use of dishwasher cleaning.
2. Wipe the motor unit with a damp cloth. Never immerse it in water for cleaning as electric shock may occur.
3. Dry thoroughly.

Caution: Blades are very sharp, handle with care. Reassemble the blender stem to motor unit then place it upright in wall bracket (see Fig.4) or hang it up for saving space.

Quick cleaning

Between processing tasks, hold the hand-held blender in the cup half filled with water and turn on for a few seconds.

Fixing wall bracket

You can fix the wall bracket as following:

- Drill two equal holes in wall and strictly follow the dimension as indicated in the fig.5.
- Knock two plastic plugs into holes with a hammer.
- Secure the bracket on wall with screws.

WARRANTY

Mellerware guarantees that this product has been thoroughly inspected and tested before being dispatched and is free from mechanical and electrical defects. Should defects due to faulty material or workmanship develop within 24 months from original date of purchase, under normal domestic use, the appliance will be repaired free of charge or replaced as determined by Mellerware return policy. No money will be refunded unless returned with original packaging and in new condition within 14 days of purchase. Kindly retain your purchase slip for this must be presented together with this completed claim

form (see reverse) when making a claim under the terms of the guarantee. No correspondence in this regard will be entered into. This guarantee does not cover wear and tear or damage caused by over-loading, negligence, abuse, and accidental or improper use. Any changes will invalidate the guarantee, as would any attempted repair. Creative Housewares (Pty) Ltd will not be liable for any loss or damage.

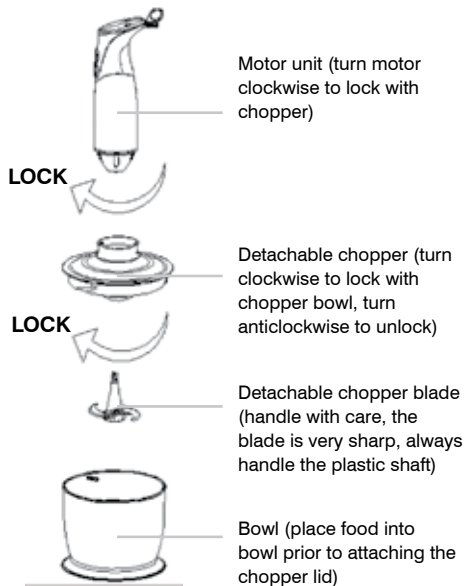
SERVICE

Before returning your product – check for the following:

- Your household mains supply socket is working properly. Check with another appliance.
- The mains supply circuit is not overloaded. White trip switch on the DB board is off.
- The product has been used as directed in the instructions.
- All parts are present.
- If service becomes necessary outside the guarantee period, the appliance should be returned to the retail outlet where purchased or carefully packed and marked “fragile-handle with care”, and sent carriage paid to a Mellerware approved service centre.
- (Postage is not refundable).

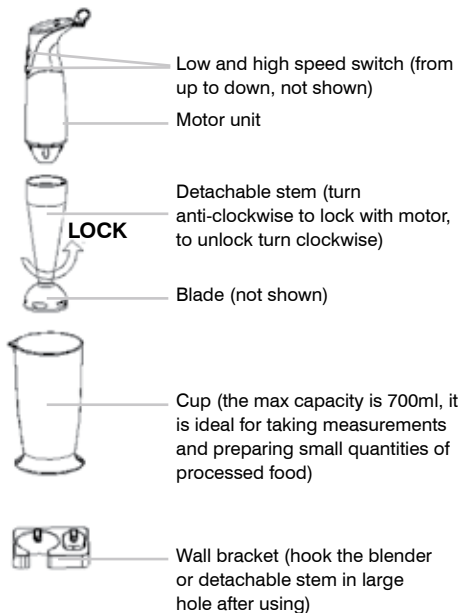
Know Your Accessory Chopper

Suitable for chopping and making paste



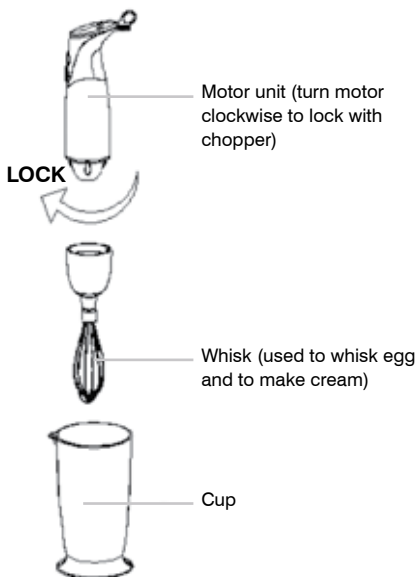
Know Your Blender

Suitable for blending vegetables and fruits.



Know Your Accessory Beater

Suitable for mixing egg



THIS PRODUCT IS FOR HOUSEHOLD USE ONLY!

creative housewares

27 Nourse Avenue Epping 2 Cape Town
P.O. Box 975 Eppindust 7475 South Africa
Tel: +27 21 534 8114 Fax: +27 21 534 8086
Service Centre Share Call: 086 111 5006
web: www.creativehousewares.co.za

Free Manuals Download Website

<http://myh66.com>

<http://usermanuals.us>

<http://www.somanuals.com>

<http://www.4manuals.cc>

<http://www.manual-lib.com>

<http://www.404manual.com>

<http://www.luxmanual.com>

<http://aubethermostatmanual.com>

Golf course search by state

<http://golfingnear.com>

Email search by domain

<http://emailbydomain.com>

Auto manuals search

<http://auto.somanuals.com>

TV manuals search

<http://tv.somanuals.com>